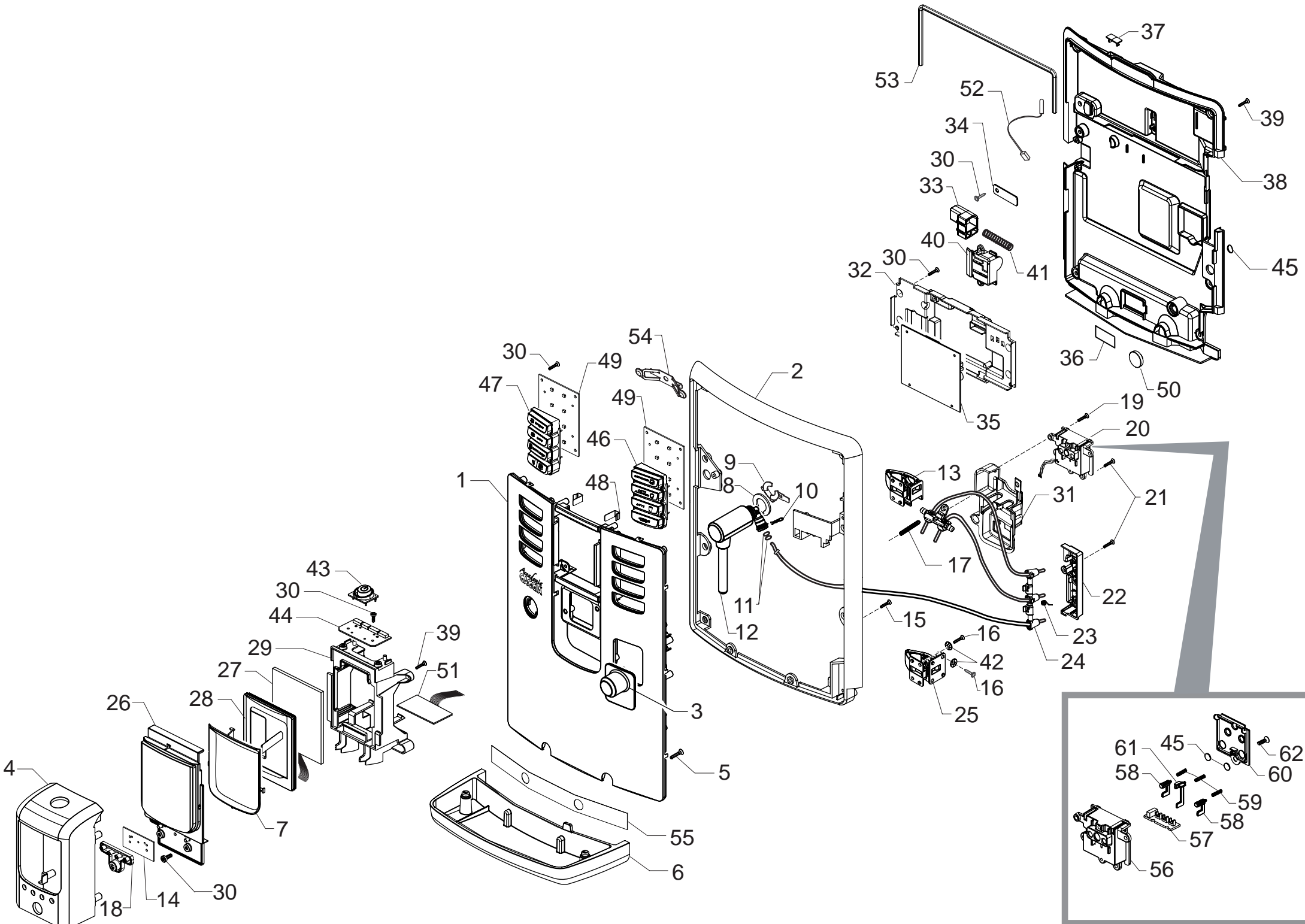
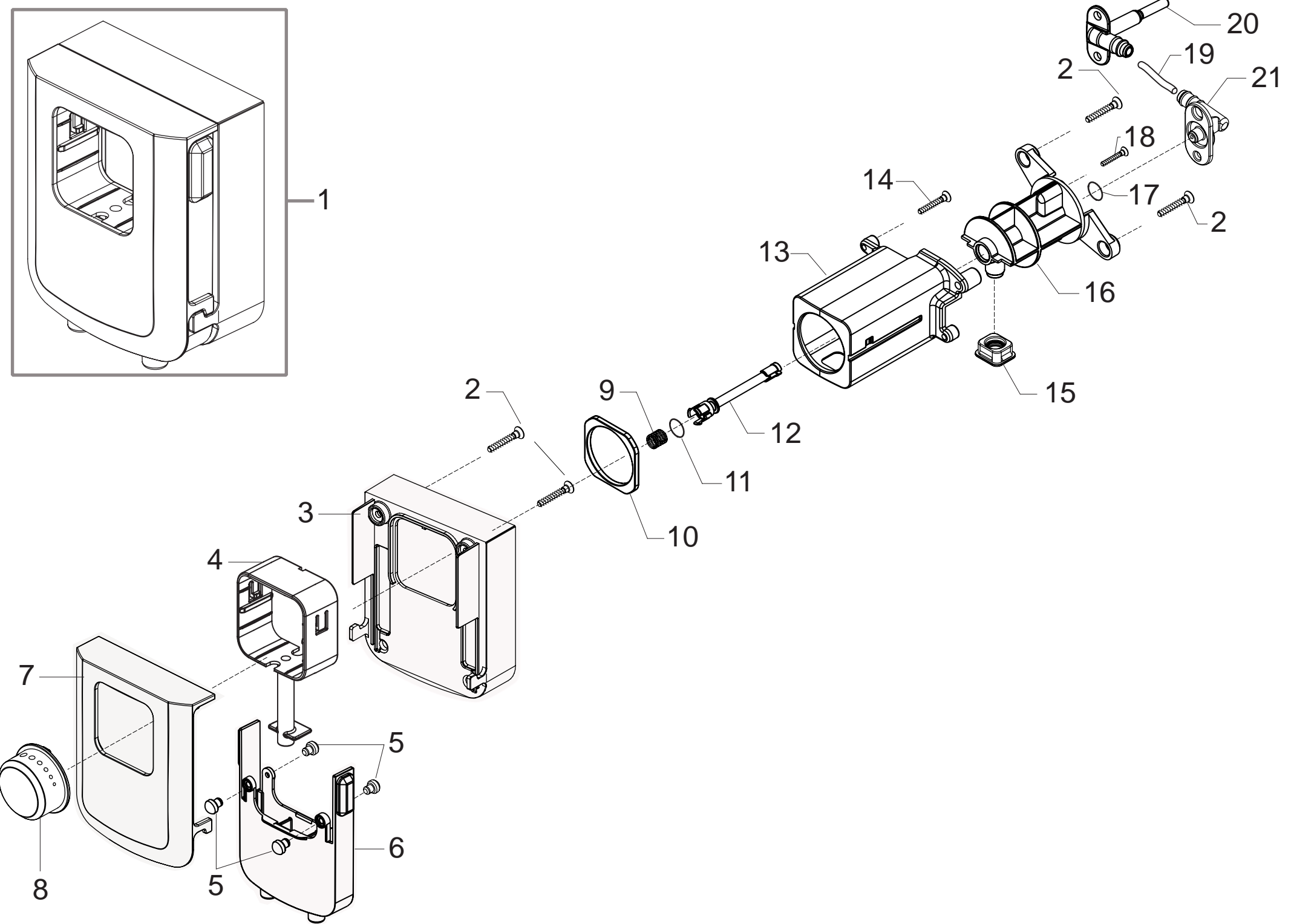


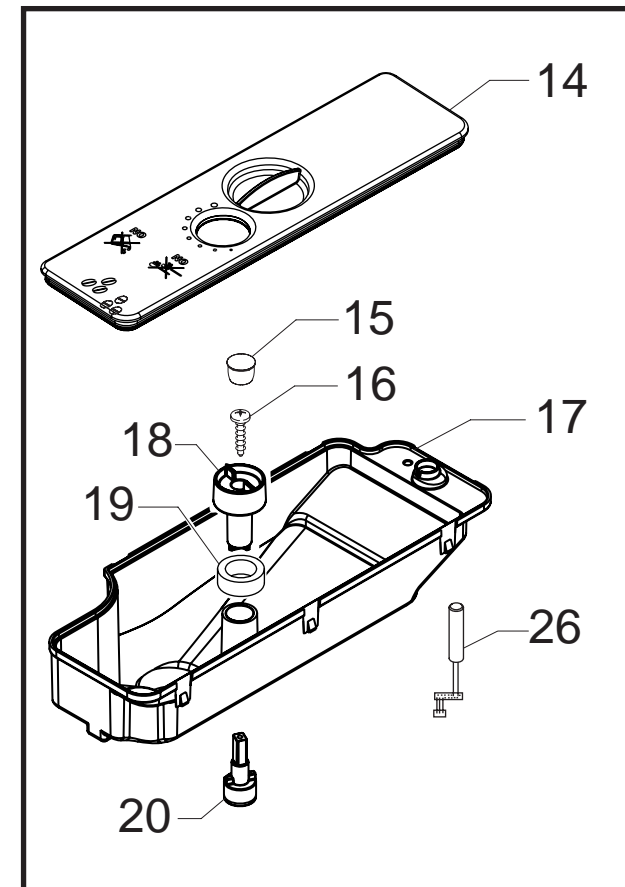
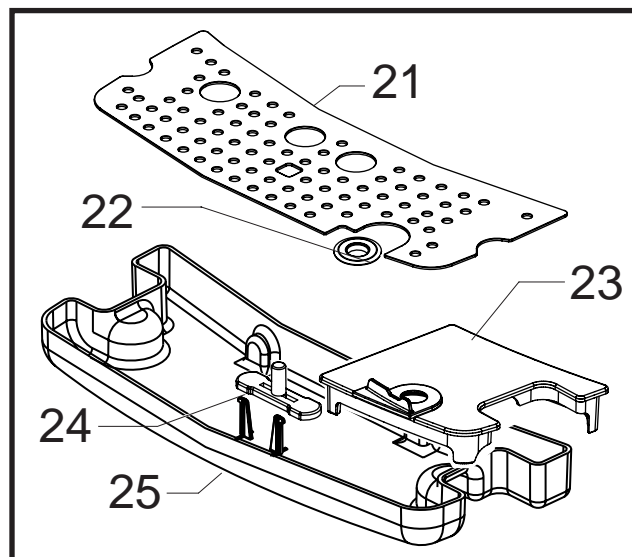
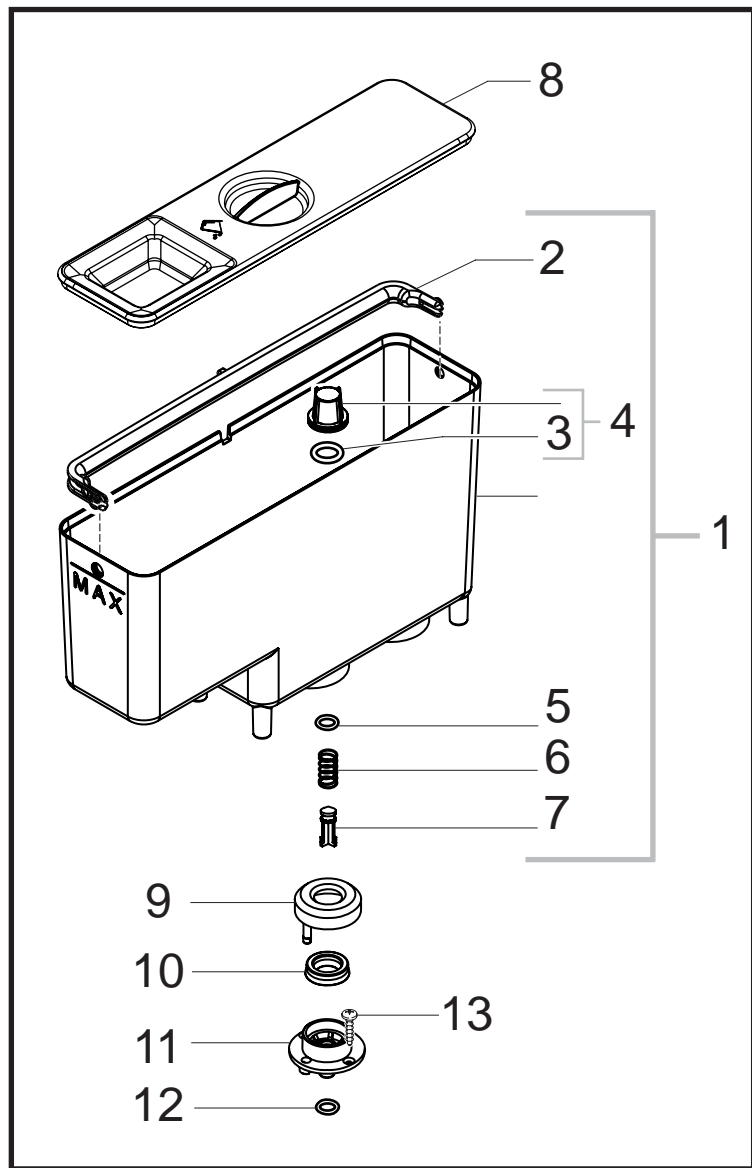
Pos	Article-Nr.	Description	Pos	Article-Nr.	Description
1	15001992	MANUAL GAG SUP038G GMYB/H D/I	35	11022527	BLACK DUMP BOX PROTECTION MYB9
1	15001993	MANUAL GAG SUP038G GMYB/H GB/F	36	11013595	BLACK DUMP BOX MYB9 ASSY.
1	15001994	MANUAL GAG SUP038G GMYB/H E/P	37	11022169	BLK DRIP TRAY COFF.BREW UNIT COVER MYB9
1	15001995	MANUAL GAG SUP038G GMYB/H NL/PL	38	11012777	BLACK COFFEE UNIT DRIP TRAY MYB9
1	15002625	MANUAL GAG SUP038G GMYB/H GB/CHN	38	17001901	BLACK COFFEE UNIT DRIP TRAY V2 MYB9
1	15002627		39	11013128	40POLES FLAT CABLE BOARDS LINK MYB9 UL
2	146680850	BLACK COFFEE MEASURE SMART	40	11013806	BLACK FLAT-CABLE PROTECTION MYB9
3	127390100	BRUSH FOR CLEANING	41	11000791	ADHESIVE HEATING-ELEMENT 120V
4	11022867	GAGGIA KLUBER TRIBOSTAR SIL 2 TUBE 5GR.	41	WGA431603100	ADHESIVE HEATING-ELEMENT 230V
5	21001419	ACC GAG BRITA UNI.WAT.FILTERX1 EUR-ASIA	42	11008844	2POLES CONNECT.SUPPLY CUPWARMING
5	21001711	ACC GAG MAVEA UNI.WAT.FILTERX1 USA	43	17000420	BLACK SLIM BOILER PROTECTION MYB9
6	0301.961	STICKER FOR WATER HARDNESS TEST			
7	11004247	BLACK POWER CABLE RVV 3X1 CHINA L=1200			
7	17800019	BLACK POWER CABLE BRAZIL L=1200			
7	183911050	BLACK POWER CABLE SCHUKO L=1200			
7	183921950	POWER CABLE SJT3 USA BLACK UL L=1200			
7	183930650	POWER CABLE CH BLACK 3X1 H05VV-F L=1200			
7	183940650	BLACK POWER CABLE AUSTRALIA L=1200			
7	183970350	BLACK POWER CABLE UK L=1200			
8	13001097	BAND FOR LIFTING L=1800MM H=300MM			
9	20006919	KIT PS-E INSERT FOR BOX GMYB			
10	17000007	COMPONENTS SUPPORT INSULATE SHEET MYB9			
11	13001095	DISPLAY BOX GMYB GAG ACCADEMIA			
12	12000450	SCREW TCBR TORX 10 3,5X12 PLAST.ZN-N			
13	11025978	SB/SS GROUND CONT.DOOR COVER S/S.MYB9 AS			
13	11013210	SB/SS GROUND CONT.DOOR COVER S/S.MYB9 AS			
14	11023991	MATT/BLK WATER CONT.DOOR COVER MYB9 ASSY			
14	11029407	MATT/BLK WATER CONT.DOOR COV.V2 MYB9 ASS			
15	11024525	M/BLK LEFT SIDE PANEL V2 MYB9/H-T ASSY.			
16	11022426	SS SPRING FOR WATER CONTAINER LEVER MYB9			
17	12001263	BLACK PUSH-PUSH MYB9			
18	11022425	YELLOW LEVER FOR WATER CONTAIN.S/SC.MYB9			
19	11025965	SB/SS CUP WARMING LID V2 MYB9			
19	17000059	SB/SS CUP WARMING LID V2 MYB9			
20	11029389	MATT/BLK BEAN CONT.DOOR COV.V2 MYB9 ASSY			
20	11023992	MATT BLK BEAN CONT.DOOR COVER MYB9 ASSY.			
21	12001330	TRANSP.ROUND ADHESIVE FOOT SJ-5382			
22	11022822	MATT/BLK REAR COVER CASING INS.MYB9 ASSY			
23	17000205	BLACK COVER CASING W/PROTECT.V2 MYB9/H-T			
24	11000651	WATER LEVEL SENSOR BOARD P124			
25	11014017	BLACK HORIZONTAL MOUNTING PLATE MYB9 ASS			
26	11021342	PWR BOARD MYB9/MDS 120V			
26	11024263	PWR BOARD MDS 230V			
27	11012035	BLACK PWR BOARD COVER MYB9			
28	17000126	BLK REAR PANEL WHIT LOGO GAGGIA V2 GMYB			
29	11023304	PWR ELECTR.BOARD INSULATE SHEET MYB9			
30	11024521	M/BLK RIGHT SIDE PANEL V2 MYB9/H-T ASSY.			
31	11022808	MATT/BLK FRONT COV.CASIN.INS.MYB9/H-P AS			
32	11013170	BLACK STEEL CASING MYB9 ASSY.			
33	11021769	BLACK RIGID FOOT FIXING PIN MYB9			
34	11021829	BLACK/TRANSP.RIGID FOOT MYB9			



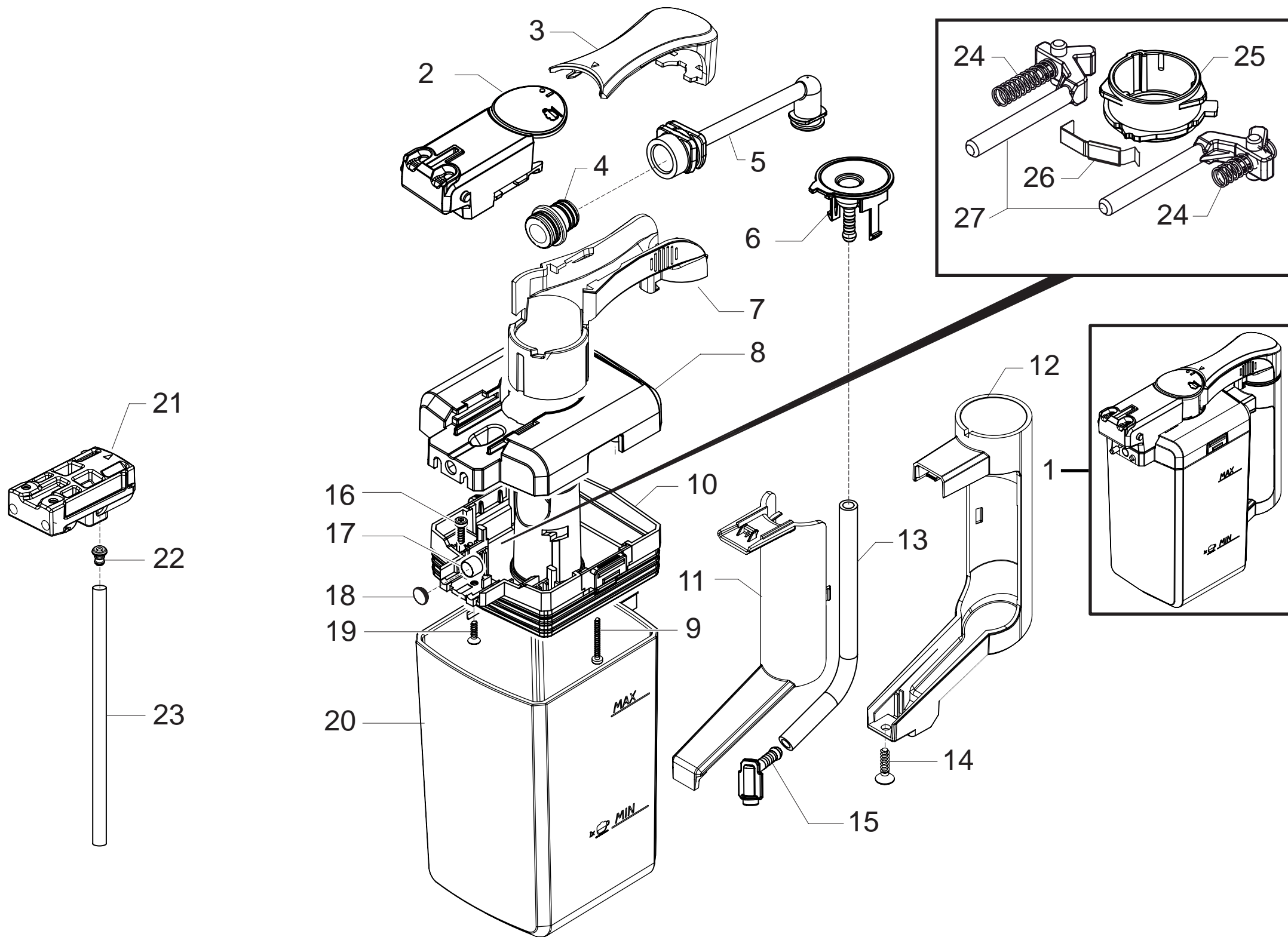
Pos	Article-Nr.	Description	Pos	Article-Nr.	Description
1	11022399	SB/SS FRONTAL PANEL S/SCREEN GMYB ASSY.	52	11013127	2POLES CONNECT.SENSOR REED DOOR MYB9
2	11014003	CHROM.ZAMA FRONT FRAME GMYB	53	16000890	ADHES.TAPE ROLL 4959 W/EPDM H=5MM
3	11024247	CHROM.CONNEC.CAP FOR CARAFE V2 MYB9 ASSY	54	11006740	BRONZE SPRING FOR FRONT CASING G0053
4	11022411	CHROM.FRONT PANEL GMYB	55	17000050	DRIP TRAY SUPPORT BIADHESIVE STRIP GMYB
5	12001421	SCREW TCBD TORX 20 M4X12 SS	56	11023238	AS.SUPP.SCHEDA CARAF.V4 MYB9 NER.
6	11013999	CHROMED DRIP TRAY SUPPORT GMYB ASSY.	57	11013368	MILKCARAFFE BOARD V2 MYB9
7	11023351	BLACK DISPLAY INSERT V2 GMYB	58	17000002	BLACK CARAFE MICRO INSERT V2 MYB9
8	11001624	BLACK STEAM TUBE WASHER P0049	59	17000019	SS CARAFE MICRO INSERT SPRING MYB9
9	17000043	FOLK SPRING MYB9 ASSY.	60	11013328	BLACK CARAFFE BOARD COVER MYB9
10	9011.144	SS FORK FOR TUBE D=4	61	17000045	BLK PRESENCE CARAFE MICRO INSERT V2 MYB9
11	140328059	OR 2015 SILICONE PTFE/FDA	62	12000895	SCREW TSP TORX 10 3X10 PLAST.SS
12	11013244	TF/CHROM.- CHROM.STEAM TUBE MYB9 ASSY.			
13	17000106	DOOR UPPER HINGE V2 MYB9			
14	11022458	KEYBOARD MENU GMYB			
15	12001430	SCREW TCBR TORX 20 4X10 PLAST.SS			
16	129823821	TCB SCREW M4X8 UNI 7687 SS			
17	17000006	TWO WAY TEFLON TUBES SUPPORT SPRING MYB9			
18	11021789	BLACK TOUCH PANEL 5 BUTTONS S/SCR.GMYB			
19	12000450	SCREW TCBR TORX 10 3,5X12 PLAST.ZN-N			
20	11023423	BLK CARAFFE BOARD SUPP.GEN.V2 MYB9 ASSY.			
21	12001431	SCREW TCB TORX 10 3X12 PLAST.SS			
22	11013784	BLACK TEFLON TUBES SUPPORT COVER MYB9			
23	11013785	STEEL TEFLON TUBES SUPPORT SPRING MYB9			
24	11023352	WHT PREFORM.TEFLON TUBES SUPP.MYB9 ASSY.			
25	17000094	DOOR LOWER HINGE V2 MYB9			
26	11021786	TRANSPARENT GLASS FOR DISPLAY GMYB			
27	12001261	DISPLAY 320x240 NO TOUCH BRIGHTNESS+MYB9			
28	11022039	BLACK DISPLAY SEAL GMYB			
29	11021803	BLACK DISPLAY SUPPORT GMYB			
30	129913202	SCREW TCB TORX 10 3X8 PLAST.ZN-B			
31	11023251	BLACK FRONTAL PANEL INSERT MYB9			
32	11022080	BLACK CPU BOARD COVER GMYB			
33	11014215	BLACK BUTTON FOR DOOR RELEASE MYB9			
34	11021976	STEEL PLATE FOR DOOR CLOSURE MYB9			
35	11022452	CPU+SW GMYB9 ASSY.			
36	11000651	WATER LEVEL SENSOR BOARD P124			
37	11001339	TRANSP.INFRAREDS PLATE P0049			
38	11024065	BLK INSIDE COVER FRONT.PANEL S/SCR.GMYB			
39	129912521	SCREW TCBR TORX 10 3,5X14 PLAST.SS			
40	17000008	BLACK COVER BUTTON FOR DOOR RELEASE GMYB			
41	11021747	SPRING FOR DOOR RELEASE BUTTON MYB9			
42	128310402	GALV.WASHER UNI 8842 A4			
43	11021800	WHITE TOUCH PANEL 1 BUTTON S/SCR.GMYB			
44	11022454	KBD+SW STAND-BY GMYB ASSY.			
45	12001330	TRANSP.ROUND ADHESIVE FOOT SJ-5382			
46	11021333	BLACK RIGHT BUTTONS S/SCR.GMYB ASSY.			
47	11021326	BLACK LEFT BUTTON S/SCR.GMYB ASSY.			
48	17000023	BRONZE FRONT FRAME SPRING GMYB			
49	11022457	KEYBOARD BEVERAGE GMYB			
50	17000025	BLACK INSIDE COVER FRONT PANEL CAP GMYB			
51	11022508	DISPLAY KEYBOARD GMYB			



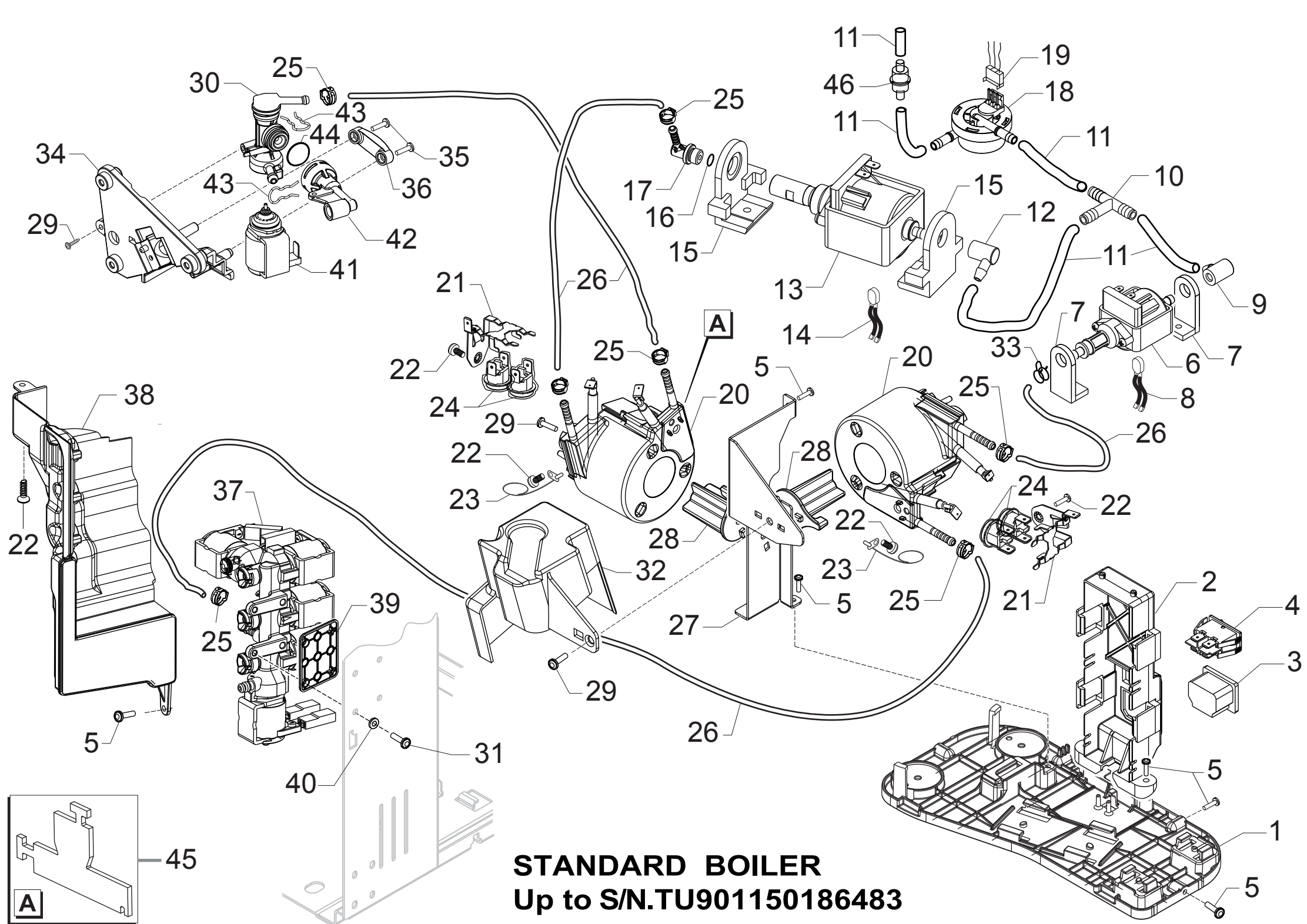
Pos	Article-Nr.	Description	Pos	Article-Nr.	Description
1	11022403	CHROM.COFFEE DISPENSER GMYB ASSY.			
2	129570721	SCREW TCB TORX 10 M3X8 AUTOFORMING SS			
3	11022283	CHROM.REAR COVER COFFEE DISPENSER GMYB			
4	11021746	BLACK INNER BODY COFFEE DISPENS.GMYB			
5	11013085	WHITE COFFEE DISPENSER SLIDER MYB9			
6	11021389	BLACK EXT.MOBILE PART COF.DISPENSER GMYB			
7	11022402	CHROM.FRONT COFFEE DISPENSER COVER GMYB			
8	11012736	NAT/GREY WATER CONTAINER LID MYB9			
9	126772518	SS COFF.CREAM ADJUSTMENT SHAFT SPRING			
10	11013324	BLACK CREAM ADJUSTMENT KNOB RING MYB9			
11	140326661	BLACK OR METRIC 0040-20 IN EPDM			
12	140640200	WHITE COFFEE CREAM ADJUSTMENT SHAFT			
13	11013323	CHROM.COFFEE DISPENSER SUPPORT MYB9			
14	12000897	SCREW TCB TORX 10 3,5X20 PLAST.SS			
15	11013072	BLACK SEAL FOR COFFEE DISPENSER MYB9			
16	11013013	BLACK COFFEE DISPENSER TUBE MYB9			
17	12000070	OR METRIC 0060-15 IN SILICONE			
18	12000450	SCREW TCB TORX 10 3,5X12 PLAST.ZN-N			
19	149360200	SILICONE TUBE 5X8 70SR IN ROLL			
20	11021967	BLACK DISPENSER COFF.INLET CONNECT.GMYB			
21	11021966	BLACK COFFEE DISPENSER CONNECTOR GMYB			



Pos	Article-Nr.	Description	Pos	Article-Nr.	Description
1	11013212	NAT/GREY WATER CONTAINER MYB9 ASSY.			
2	11012738	BLACK HANDLE WATER CONTAINER LID MYB9			
3	140328461	EPDM OR METRIC 0190-10			
4	224640200	WHITE WATER CONTAINER EXT.FILTER ASSY.			
5	140324362	OR METRIC 0060-30 IN SILICONE			
6	126764718	SS WATER CONTAINER VALVE SPRING			
7	147660562	GREY PISTON FOR WATER CONTAINER VALVE			
8	11022127	NAT/GREY WATER CONTAINER LID S/SCR.MYB9			
9	0701.031.150	GREY WATER VALVE GACO DIM 14 SEAL COVER			
10	145842900	NBR WATER CONT.VALVE GACO DIM14 SEAL			
11	0701.014.150	GREY WATER VALVE GACO DIM 14 SEAL CONT.			
12	140320461	OR ORM 0080-20 IN TERMOIL			
13	129535721	SCREW TSP TORX 10 AB 3,5X9,5 SHEET SS			
14	17000202	NAT/GREY BEAN COFF.CONT.LID V2 MYB9 ASSY			
15	149213059	GREY CAP FOR KNOBS BEAN CONTAINER			
16	129913902	SCREW TCB TORX 10 3X12 PLAST.ZN-B			
17	17000194	BLACK BEAN CONTAINER V2 MYB9			
18	11012852	BLACK GRIND.ADJUSTMENT KNOB MBY9			
19	11022528	GREY GRIND.ADJUSTMENT KNOB WASHER MYB9			
20	145897300	BLK INSERT GRIND.ADJUSTMENT KNOB SMART1			
21	11013997	BA/SS DRIP TRAY GRATE GMYB			
22	17000147	BLACK GRATE SEAL V3 MYB9/H-P			
23	11022418	BLACK DRIP TRAY COVER GMYB			
24	11013184	RED FLOAT FOR DRIP TRAY XSM			
25	11021796	BLACK DRIP TRAY GMYB			
26	17800061	5POLES CONNECTOR MC SENSORS V2 MYB9 UL			

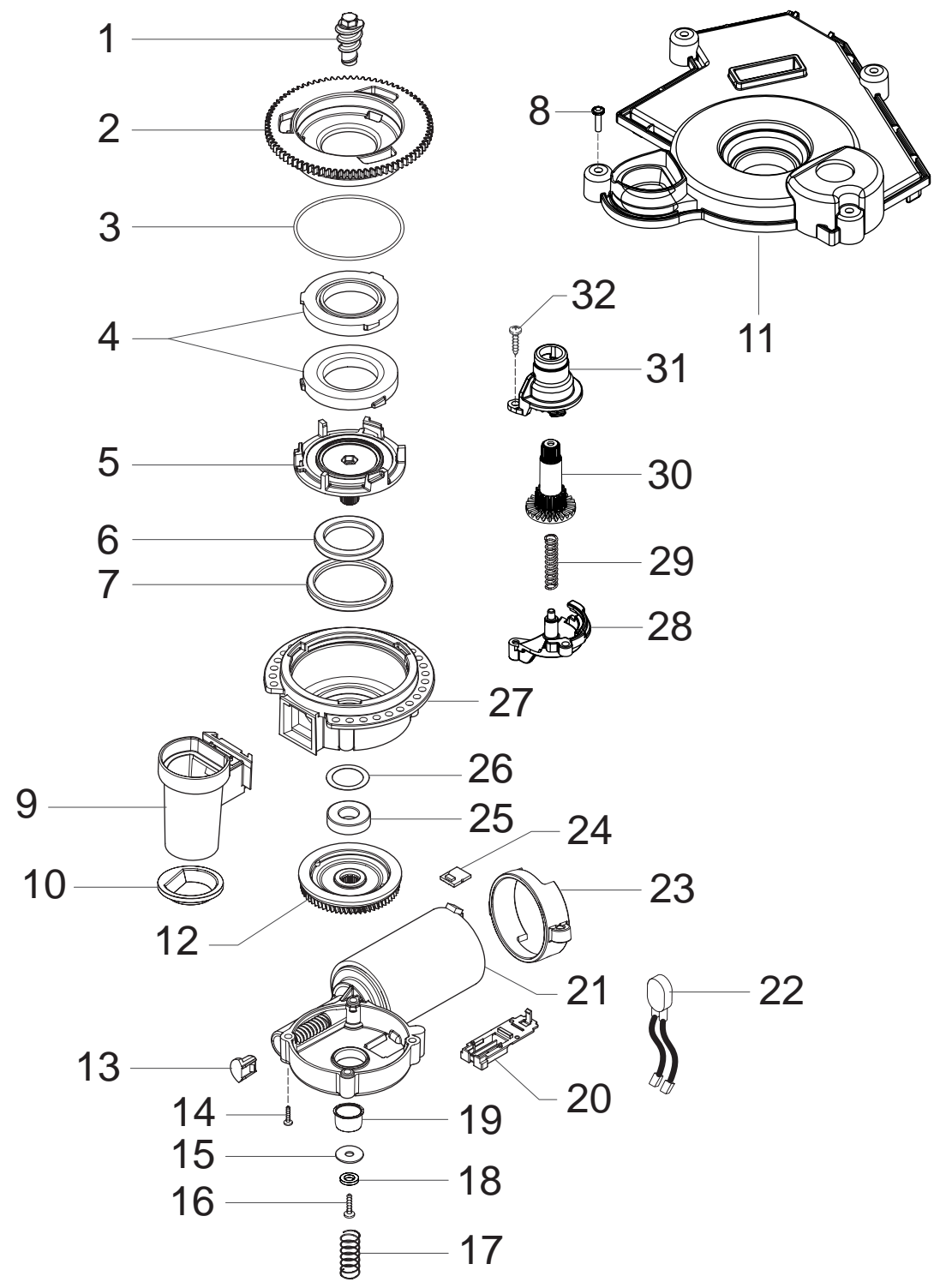


Pos	Article-Nr.	Description	Pos	Article-Nr.	Description
1	11022167	TRANSP//CHROM.GENERAL CARAFE GMYB ASSY.			
2	11023235	CHR.CARAFE CAPP.COVER V2 S/SC.MYB9 ASSY.			
3	11022578	CHROM.UPPER CARAFE SUPPORT S/SCREEN GMYB			
4	11012812	VENTURI TUBE FOR CAPPUCCINATORE MYB9			
5	11022825	BLACK CARAFE MILK DISPENSER TUBE GMYB			
6	11022408	BLACK UPPER TUBE CARAFE CONNECT.GMYB			
7	11022576	CHROM.CARAFE LOWER DISPENSER SUPP.GMYB			
8	11012816	BLACK UPPER COVER PART CARAFE MYB9			
9	12000550	SCREW TCB TORX 10 3X25 PLAST.SS			
10	11021893	BLACK LOWER COVER PART CARAFE MYB9 ASSY.			
11	11022580	CHROM.CARAFE REAR PART HANDLE GMYB			
12	11022579	CHROM.CARAFE FRONT PART HANDLE GMYB			
13	149360200	SILICONE TUBE 5X8 70SR IN ROLL			
14	129911721	SCREW TSP TORX 4X16 PLAST STEEL			
15	11013164	BLACK LOWER TUBE CARAFE CONNECT.MYB9			
16	129910921	SCREW TCB TORX 10 3X10 SS			
17	9161.111	MAGNET FOR FLOAT SUPERAUT.			
18	11014016	SS.INSERT FOR MAGNET MYB9			
19	12000895	SCREW TSP TORX 10 3X10 PLAST.SS			
20	11024104	TRANSP.CARAFE V3 S/SCREEN MYB9			
21	17000004	BLK CARAFE CAPPUCCIN.CASING W/CAPS MYB9			
22	11026779	WHITE MILK TUBE CONNECTOR V2 MYB9			
23	11012814	SILICONE TUBE 3,5X6 L=140 MM			
24	11013765	STEEL SPRING FOR CARAFE LEVER MYB9			
25	11022752	BLACK CAM FOR CARAFE LEVERS GMYB			
26	11013832	CARAFE SPRING WITH INSERT MYB9 ASSY.			
27	17000131	BLACK LEVER FOR CARAFE CAM V3 MYB9			

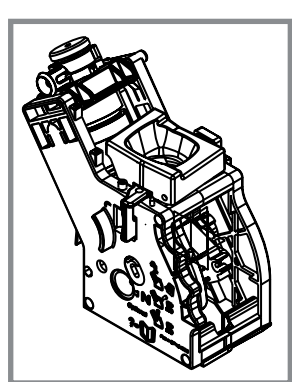
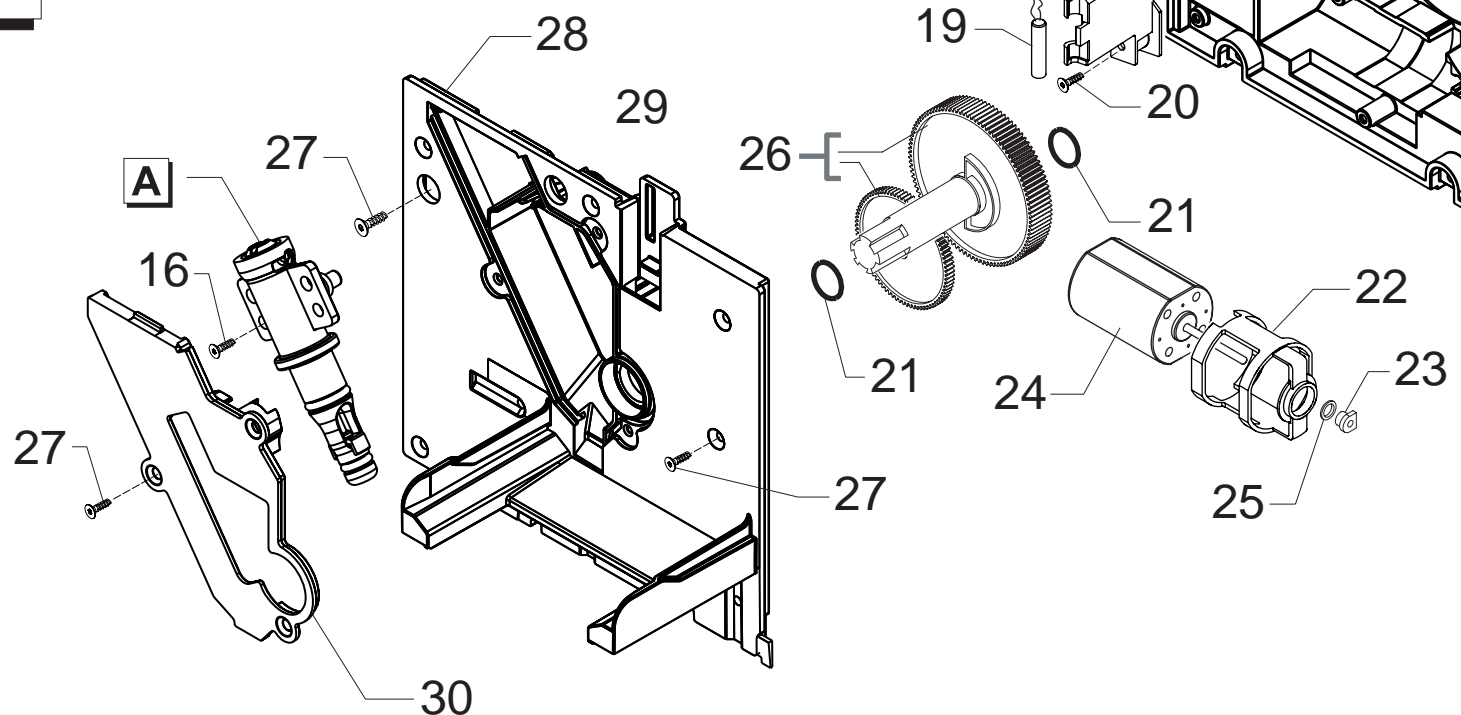
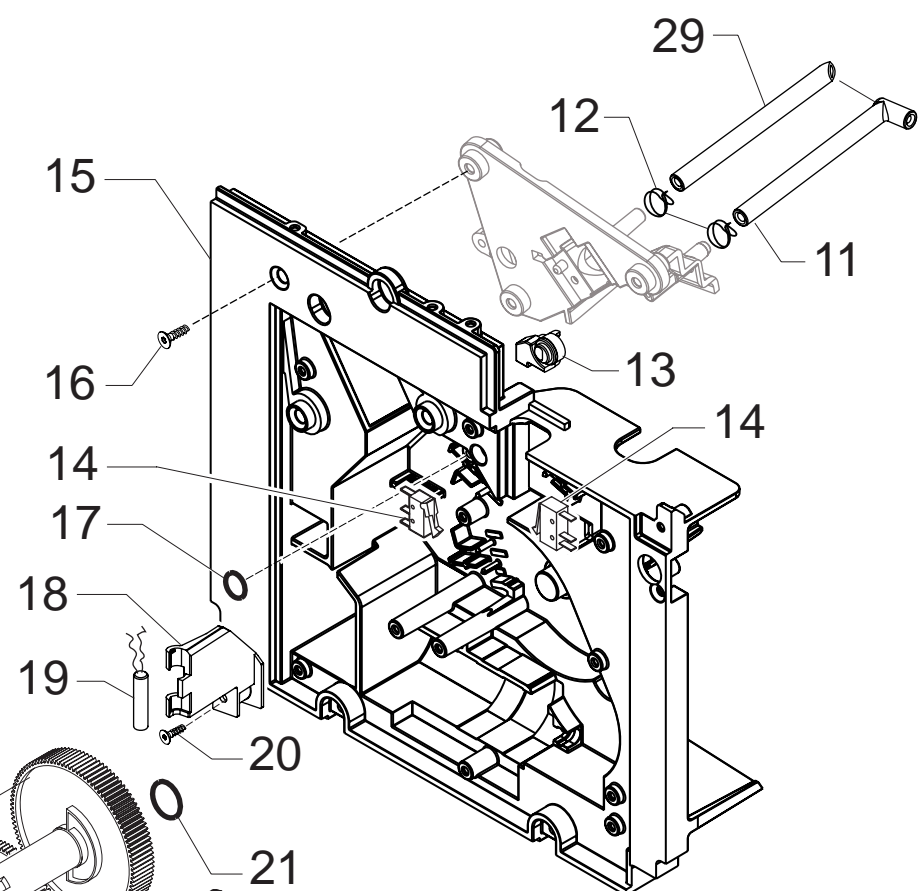
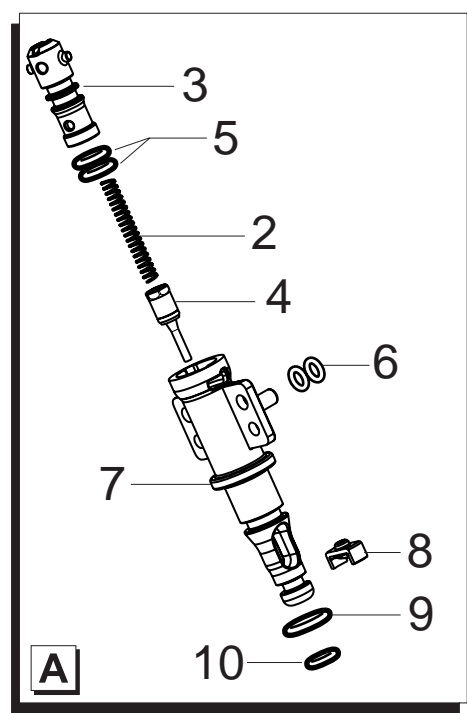


STANDARD BOILER
Up to S/N.TU901150186483

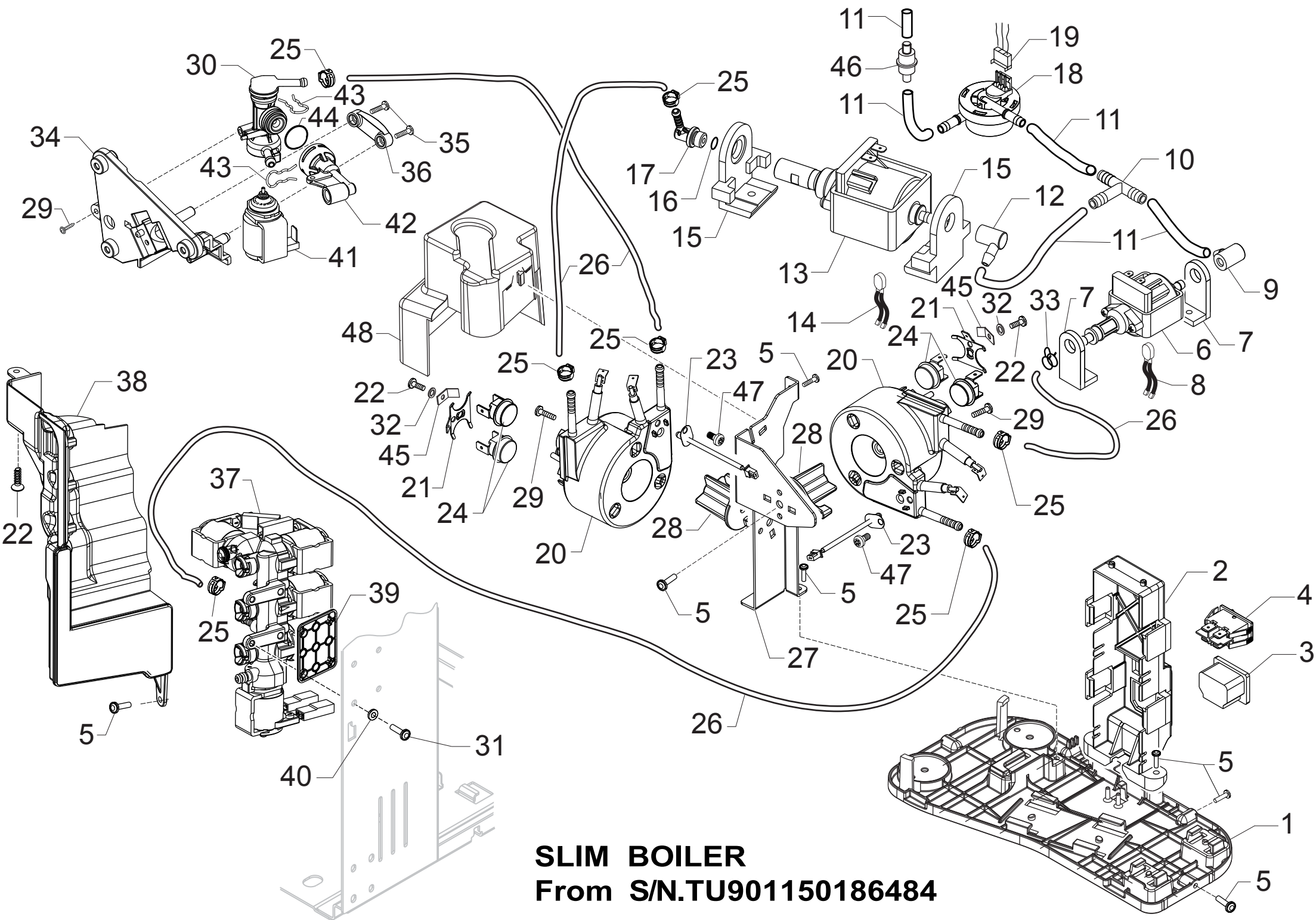
Pos	Article-Nr.	Description	Pos	Article-Nr.	Description
1	11012205	BLACK COMPONENTS SUPPORT MYB9	44	12000620	OR ORM 0130-20 IN EPDM
2	11012412	BLACK SOCKET-SWITCH SUPPORT MYB9	45	11021450	TUB.BOILER STD C1 INSULATING
2	11023406	BLACK SOCKET-SWITCH SUPPORT MYB9 UL	46	144650300	ASPIRATION FILTER GAUZE NET 500 (NEW)
3	12001645	CUP SOCKET V2 EN 60320 C 13	100	11022038	BLOWDOWN VALVE V2 MYB9 120V ASSY.
4	NE03.038	BIPOLAR SWITCH FUSIT C1250AR	100	11006995	BLOWDOWN VALVE V2 MYB9 230V ASSY.
5	12000450	SCREW TCB TORX 10 3,5X12 PLAST.ZN-N	100	11009776	TUB.BOILER STD C1 1300W 230V ASSY.
6	12001212	ULKA PUMP MF 230V-50HZ	100	11009778	TUB.BOILER STD C1 1300W 120V ASSY.
6	12001346	ULKA PUMP MF 120V-60HZ			
6	12001348	ULKA PUMP MF 220V-50/60HZ			
7	11012194	BLACK/SBR ULKA MF PUMP SUPPORT			
8	11013116	2POLES CONNECTOR STEAM PUMP MYB9 UL			
9	11012193	90° INLET CONNECTOR FOR PUMP ULKA MF			
10	147920300	TRANS.CONNECTOR D=8 ART.80.26.047 KA.461			
11	JS01.022	SILICONE TUBE 5X10 60SH IN ROLL			
12	147920150	90° INLET PUMP CONNECTOR			
13	12000140	ULKA PUMP EP5/S GW 230V-50HZ			
13	12000142	ULKA PUMP EAP5/S 120V-60HZ			
13	12000182	ULKA PUMP EP5/S GW 220V-60HZ			
14	11013076	2POLES CONNECTOR COFFEE PUMP MYB9 UL			
15	11022857	BLACK PUMP SUPPORT GMYB			
16	140321961	OR 2031 IN TERMOIL			
17	11001054	BLK PUMP OUTLET 90°CONNECTOR P0049/B			
18	12000781	TURBINE D=1,2 932-8521/90 ASSY.			
19	11013122	6POLES CONNECTOR FLOWMETER MYB9 UL			
20	11011341	V4 TUB.BOILER 1300W 230V ASSY.			
20	11011342	V4 TUB.BOILER 1300W 120V ASSY.			
21	11010164	TUB.BOILER V6 SIDE THERMOS.FIXING SPRING			
22	12001715	SCREW TCB TORX 20 M4X8 AUTOFORMING ZN-B			
23	190800100	TEMPERATURE SENSOR NTC UL L=280MM			
24	12001034	THERMOSTAT ONE SHOT 175°			
25	12000892	OETIKER CLAMP D=9,5 16700004			
26	16000380	5X8,9 SILICONE TUBE IN ROLL			
27	17000143	STEEL SLIM TUB.BOILER SUPPORT MYB9			
28	11012214	BLACK TUB.BOILERS SUPPORT MYB9			
29	12001280	SCREW TSP TORX 10 5X20 PLAST.ZN-B			
30	20006558	BLOWDOWN VALVE CASING MYB9 ASSY.			
31	129914302	SCREW TORX M4X10 TESTA D=8X1,5 GALV			
32	11022428	BLK COF.BOILER INSULATING COVER MYB9/H-T			
33	184320200	SPRING HOSE CLAMP D=9,5MM			
34	11012206	BLACK BLOWDOWN VALVE SUPPORT MYB9			
35	129913902	SCREW TCB TORX 10 3X12 PLAST.ZN-B			
36	11013711	BLACK VALVE FIXING FLANGE MYB9			
37	11013165	DIFFUSER VALVE MYB9 ASSY.			
38	11013528	BLACK DIFFUSER PROTECT.VALVE MYB9 ASSY.			
39	11021841	SOLENOID VALVE CONNECT.INSUL.PLATE MYB9			
40	11021842	SOLENOID VALVE CONNECT.INSUL.WASHER MYB9			
41	20000590	BLOWDOWN VALVE COIL P0049 230V ASSY.			
41	20000680	BLOWDOWN VALVE COIL P0049 120V ASSY.			
41	20000920	BLOWDOWN VALVE COIL P0049 220V-60HZ ASSY			
42	11007565	BLACK BLOWDOWN VALVE CONNECTOR V2 P0049			
43	11005096	SS FORK SPRING FOR BLOWDOWN VALVE P0049			



Pos	Article-Nr.	Description	Pos	Article-Nr.	Description
1	11011205	TEA ZAMA INCREASE SCREW GRINDER			
2	149198250	BLK UPPER COFFEEGRINDER GRINDER SUPPORT			
3	140328960	NBR FDA OR METRIC 0530-15			
4	146520100	BAKED CLAY GRINDER 48X28			
5	149198350	BLK LOWER COFFEEGRINDER GRINDER SUPPORT			
6	123030300	AXIAL BEARING EKKO 342.35252			
7	140360500	FELT RING 45,4X39,4X4			
8	12000450	SCREW TCB TORX 10 3,5X12 PLAST.ZN-N			
9	11026355	BLK GROUND COFF.OUTLET CONVEYOR V4 ASSY.			
10	11030459	GRY GROUND COFFEE CONT.LOWER SEAL SMART1			
11	11012856	COFFEE GRINDER SOUNDPROOFING COVER MYB9			
12	226000300	GEAR SX Z=38 FOR GRINDER MOTION ASSY.			
13	149214800	MC V3 MOD=1,25 WORM SCREW CENTRING CAP			
14	129661702	SCREW TCB TORX 3,5X30 PLAST.ZN-B			
15	128381902	STEEL FLAT WASHER DI=4,3 DE=14 SP=1,5			
16	129574802	SCREW TCB TORX 20 M4X30 ZN-B			
17	11000597	COFFEE GRINDER SUPPORT SPRING P124			
18	128310402	GALV.WASHER UNI 8842 A4			
19	11002873	INSULATOR BUSH FOR GRINDER MOTOR P124			
20	149199050	BLK SENSOR SUPPORT FOR COF.GRINDER MOTOR			
21	11000511	MOTOR COFFEEGRINDER V3.1 120V ASSY.			
21	11000513	MOTOR COFFEEGRINDER V3.1 230V ASSY.			
22	11013079	2POLES CONNECTOR GRINDER MOTOR MYB9 UL			
23	11000194	BLACK COFFEEGRINDER MOTOR SUPPORT P124			
24	181540900	ELECTR.BOARD WITH SENSOR HAL506 SF-K			
25	123030200	RADIAL BEARING 61900.2RS1			
26	128381800	STEEL CRINKLE WASHER 21,8X14X0,25			
27	142905450	BLK UPPER BODY WITH COFFEE GROUND OUTLET			
28	149199850	LOWER GEAR SUPPORT COFFEEGRINDER SMART			
29	126772918	SPRING FOR ADJUSTMENT GRINDING GEAR			
30	146002150	COFFEE GRINDING ADJUSTMENT GEAR SMART			
31	149199750	UPPER GEAR SUPPORT COFFEEGRINDER SMART			
32	129914002	SCREW TCB TORX 10 3,5X16 PLAST.ZN-B			
100	11013147	GEN.MOTOR COFFEE GRINDER MYB9 230V ASSY.			
100	11022036	GEN.MOTOR COFFEE GRINDER MYB9 120V ASSY.			



Pos	Article-Nr.	Description	Pos	Article-Nr.	Description
1	11005060	PIN V2 FOR BOILER P119 ASSY.			
2	9011.132	SS SPRING FOR PIN			
3	11003820	BLACK CAP V2 FOR PIN BOILER P119			
4	11009019	TEA/BRASS PISTON L=20,9 ASSY.			
5	140324459	OR ORM 0060-20 SILICONE PTFE/FDA			
6	140328059	OR 2015 SILICONE PTFE/FDA			
7	11003801	NAT.PIN V2 FOR BOILER P119			
8	11005099	NATURAL CURSOR V2 FOR BOILER P119			
9	NM01.035	OR ORM 0090-20 SILICONE			
10	NM01.057	OR ORM 0050-20 IN SILICONE			
11	11012337	WATER DRAIN CONNECTOR MYB9			
12	NV99.087	BAND D=11/11,6			
13	11013514	BLACK MOUNTING PLATE COVER SEAL MYB9			
14	NE05.038	MICROSWITCH SAIA XCG5-81-P5			
15	227533550	BLACK MOUNTING PLATE WITH PIN P119 ASSY.			
16	12000450	SCREW TCBR TORX 10 3,5X12 PLAST.ZN-N			
17	140325462	OR METRIC 0070-20 IN SILICONE			
18	11012976	BLACK SENSOR SUPPORT MYB9			
19	11003661	REED SENSOR MK3-1A66-BV16451			
20	129913902	SCREW TCB TORX 10 3X12 PLAST.ZN-B			
21	9161.132	MYLAR WASHER FOR RATIOMOTOR			
22	9121.044	ANTIVIBRATION FOR MOTOR			
23	9121.046	BRONZE SINTERED BUSH FOR MOTOR RATIOMOT.			
24	11005214	MOTOR FOR RATIOMOTOR P124 ASSY.			
25	148380200	BAKELIZZATE WASHER D=5,5			
26	20000900	SPARES KIT GEARS FOR RATIOMOTOR V2			
27	12001860	SCREW TSP TORX 10 3,5X14 PLAST.SS			
28	11013513	BLACK MOUNTING PLATE COVER MYB9			
29	JS01.022	SILICONE TUBE 5X10 60SH IN ROLL			
30	142856550	BLACK COVER FOR BOILER VAIN P119			
31	11012810	BLACK BREW UNIT 8GR.SBS MYB9			



SLIM BOILER
From S/N.TU901150186484

Pos	Article-Nr.	Description	Pos	Article-Nr.	Description
1	11012205	BLACK COMPONENTS SUPPORT MYB9	42	11007565	BLACK BLOWDOWN VALVE CONNECTOR V2
2	11023406	BLACK SOCKET-SWITCH SUPPORT MYB9 UL	43	11005096	SS FORK SPRING FOR BLOWDOWN VALVE P0049
3	12000280	CUP SOCKET EN 60320 C 13	44	12000620	OR ORM 0130-20 IN EPDM
4	NE03.038	BIPOLAR SWITCH FUSIT C1250AR	45	124390520	BRASS BENT FASTON 45° 6,3X0,8
5	12000450	SCREW TCB TORX 10 3,5X12 PLAST.ZN-N	46	144650300	ASPIRATION FILTER GAUZE NET 500 (NEW)
6	12001212	ULKA PUMP MF 230V-50HZ	47	12001715	SCREW TCB TORX 20 M4X8 AUTOFORMING ZN-B
6	12001346	ULKA PUMP MF 120V-60HZ	48	17000042	BLK COFF. BOILER INSULATING COVER MYB9/P
7	11012194	BLACK/SBR ULKA MF PUMP SUPPORT	100	11026313	SLIM TUB. BOIL. STD C2 T190° 1300W 230V AS
8	11013116	2POLES CONNECTOR STEAM PUMP MYB9 UL	100	11026314	SLIM TUB. BOIL. STD C2 T190° 1300W 120V AS
9	11012193	90° INLET CONNECTOR FOR PUMP ULKA MF	100	11006995	BLOWDOWN VALVE V2 MYB9 230V ASSY.
10	147920300	TRANS.CONNECTOR D=8 ART.80.26.047 KA.461	100	11022038	BLOWDOWN VALVE V2 MYB9 120V ASSY.
11	JS01.022	SILICONE TUBE 5X10 60SH IN ROLL			
12	147920150	90° INLET PUMP CONNECTOR			
13	12000140	ULKA PUMP EP5/S GW 230V-50HZ			
13	12000142	ULKA PUMP EAP5/S 120V-60HZ			
14	11013076	2POLES CONNECTOR COFFEE PUMP MYB9 UL			
15	11022857	BLACK PUMP SUPPORT GMYB			
16	140321961	OR 2031 IN TERMOIL			
17	11001054	BLK PUMP OUTLET 90°CONNECTOR P0049/B			
18	12000781	TURBINE D=1,2 932-8521/90 ASSY.			
19	11013122	6POLES CONNECTOR FLOWMETER MYB9 UL			
20	11013735	SLIM TUB. BOILER 1300W 230V ASSY.			
20	11023153	SLIM TUB. BOILER 1300W 120V ASSY.			
21	11001751	TUB. BOILER V3 UPPER THERM. FIXING SPRING			
22	11001751	TUB. BOILER V3 UPPER THERM. FIXING SPRING			
22	129573402	SCREW TAPT M4X10 DIN 7985 GALV			
23	129573402	SCREW TAPT M4X10 DIN 7985 GALV			
23	190800100	TEMPERATURE SENSOR NTC UL L=280MM			
24	190800100	TEMPERATURE SENSOR NTC UL L=280MM			
24	12001033	THERMOSTAT ONE SHOT 190°			
25	12001033	THERMOSTAT ONE SHOT 190°			
25	12000892	OETIKER CLAMP D=9,5 16700004			
26	12000892	OETIKER CLAMP D=9,5 16700004			
26	16000380	5X8,9 SILICONE TUBE IN ROLL			
27	16000380	5X8,9 SILICONE TUBE IN ROLL			
27	17000143	STEEL SLIM TUB. BOILER SUPPORT MYB9			
28	11023282	BLACK SLIM TUB. BOILERS SUPPORT MYB9			
29	12001369	SCREW TSP TORX 10 5X35 PLAST.SS			
30	20006558	BLOWDOWN VALVE CASING MYB9 ASSY.			
31	129914302	SCREW TORX M4X10 TESTA D=8X1,5 GALV			
32	128310402	GALV. WASHER UNI 8842 A4			
33	184320200	SPRING HOSE CLAMP D=9,5MM			
34	11012206	BLACK BLOWDOWN VALVE SUPPORT MYB9			
35	129913902	SCREW TCB TORX 10 3X12 PLAST.ZN-B			
36	11013711	BLACK VALVE FIXING FLANGE MYB9			
37	11013165	DIFFUSER VALVE MYB9 ASSY.			
38	11013528	BLACK DIFFUSER PROTECT. VALVE MYB9 ASSY.			
39	11021841	SOLENOID VALVE CONNECT. INSUL. PLATE MYB9			
40	11021842	SOLENOID VALVE CONNECT. INSUL. WASHER MYB9			
41	20000590	BLOWDOWN VALVE COIL P0049 230V ASSY.			
41	20000680	BLOWDOWN VALVE COIL P0049 120V ASSY.			