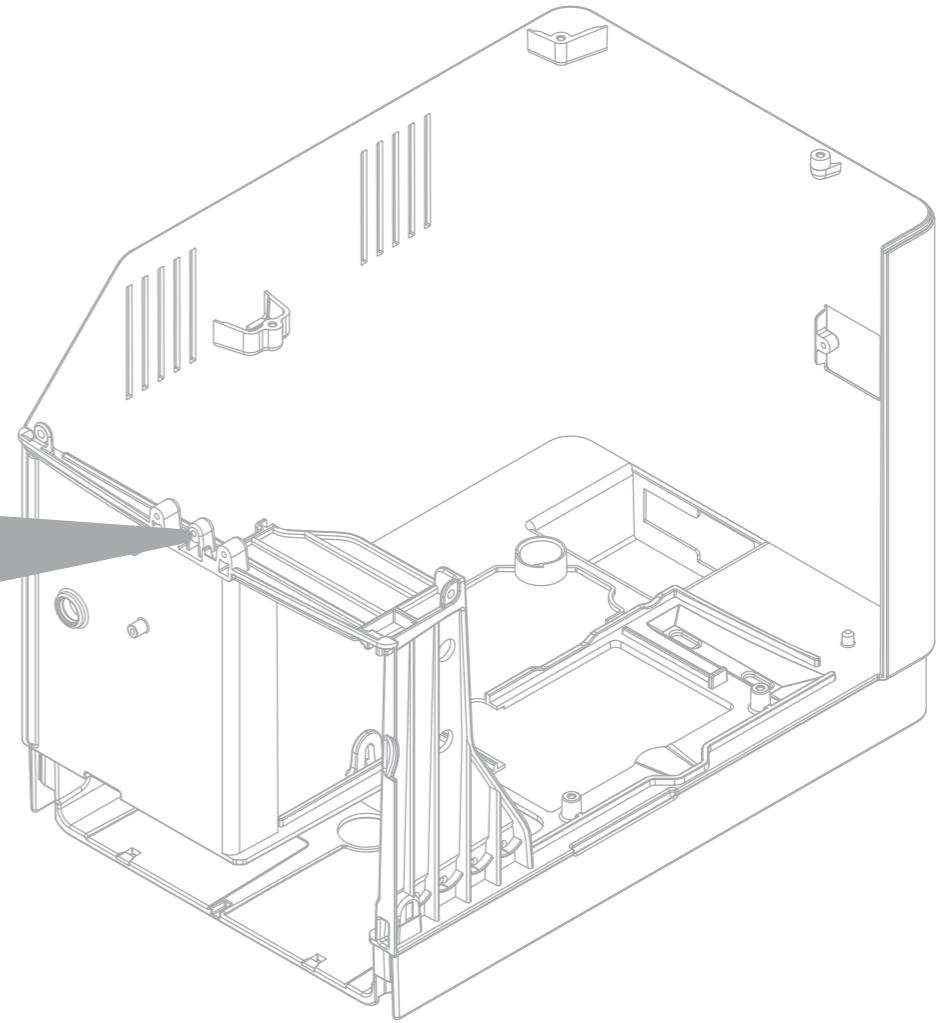
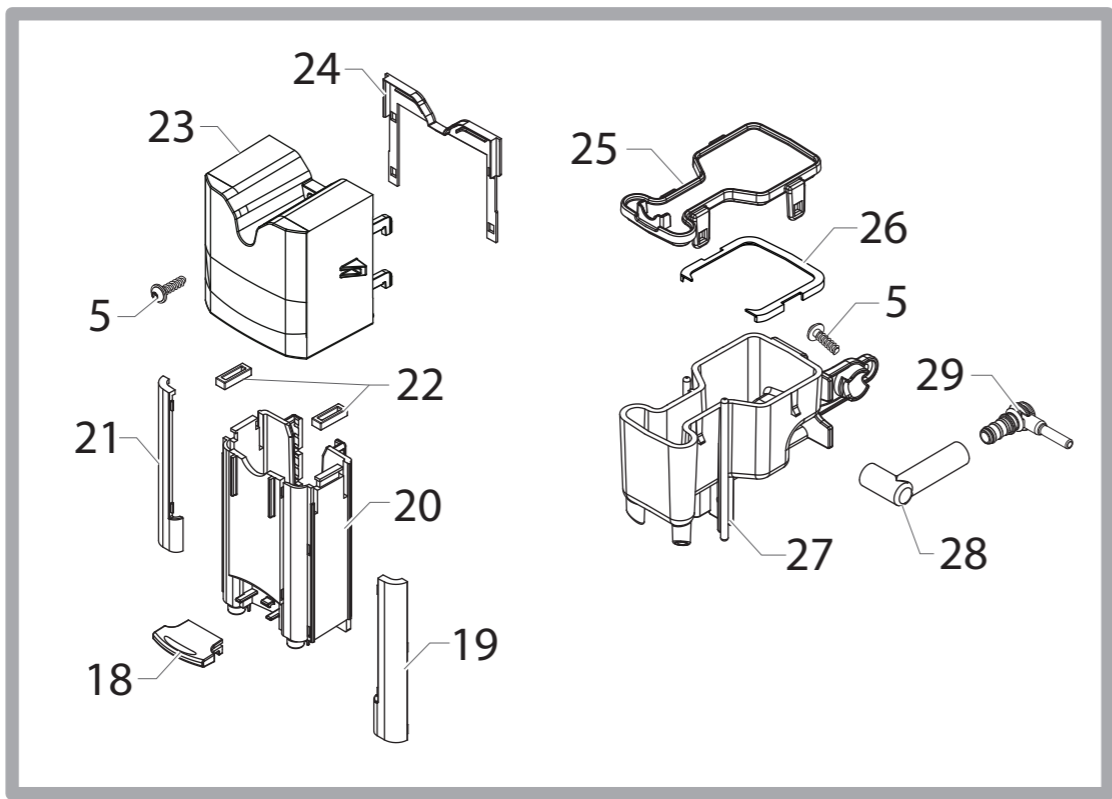
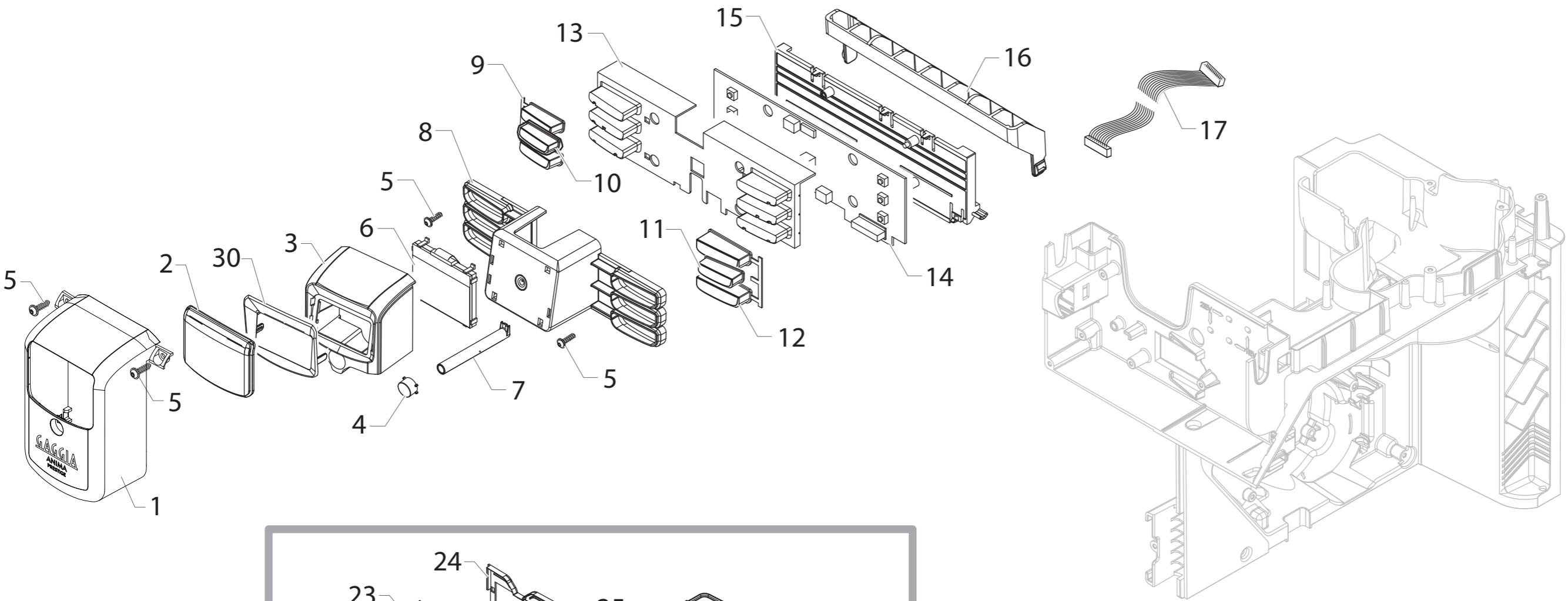


E74220

RI8760, RI8761

Pos	Article-Nr.	Description	Pos	Article-Nr.	Description
1	127390100	BRUSH FOR CLEANING	39	421944033071	BLK UPP.CASING COV.SMRG
2	421944033301	BLK ABS COFFEE MEASURE SMART	39	421944059171	BLK UPP.CASING COV.W/SENS.SMRG
3	421946001591	BLK POWER CABLE SCHUKO L=800	40	242212625104	SWI POW 2P 12A 250V FASTON GP12H B
3	11004247	BLACK POWER CABLE RVV 3X1 CHINA L=1200	40	242212625106	SWI POW 2P 10A 250V FASTON 8500 B
3	17800019	BLACK POWER CABLE BRAZIL L=1200	41	421944056212	DEEP/BLK REAR LID FIXING INSERT V2 SMRG
3	17800330	BLACK POWER CABLE BRAZIL L=1200	42	421944040451	BLK CONT.SEP.INSERT SMR
3	183921950	POWER CABLE SJT3 USA BLACK UL L=1200	43	421944045051	UPP.CAS.COVER INS.S/SCR GAG SMRG/H ASSY
3	183970350	BLACK POWER CABLE UK L=1200	43	421944045061	UPP.CAS.COVER INS.S/SCR GAG SMRG/P
4	129913202	SCREW TCB TORX 10 3X8 PLAST.ZN-B	44	421944056222	DEEP/BLK FRONT LID FIXING INSERT V2 SMRG
5	421946017941	KLUBERLUB NH1 11-222 TUBE 5GR.	45	421944043781	CHR.UPPER LEFT FRAME SMRG
6	421941308001	KIT PS-E INSERT FOR BOX SMRG	46	421944043771	CHR.UPPER RIGHT FRAME SMRG
7	421946021561	DISPL.BOX SMRG/P-H-T GAG GIGI	47	421944043711	SS LOWER FRONT INSERT SMRG ASSY
8	11000759	HOT WATER TUBE SPRING P124	47	421944036371	DEEP/BLK CASING INSERT SMRG/P
9	421944055201	G/BLK DRIP TRAY SMRG/P-H	48	421944043801	CHR.LOWER RIGHT FRAME SMRG
9	421944050601	G/ANM DRIP TRAY SMRG/P-H	49	421944043791	CHR.LOWER LEFT FRAME SMRG
10	421944043551	SS GRATE FOR DRIP TRAY SMRG/P-H	50	421944025161	YLW BEAN COFFEE GRINDER INSERT SMR
11	421944043651	STEEL DRIP TRAY INSERT SMRG ASSY	51	421941308141	KIT SPARES M/BLK DRIP TRAY SMR/P
11	421944034801	DEEP/BLK DRIP TRAY INSERT SMRG/P	51	421941308151	KIT SPARES M/BLK DRIP TRAY SMRG/H
12	12000280	CUP SOCKET EN 60320 C 13	52	17001506	BLK DRIP TRAY LOCKING RIGHT INSERT SMR/T
13	421944042991	BLK DUMP BOX SMRG	53	17001507	BLK DRIP TRAY LOCKING LEFT INSERT SMR/T
14	421941304791	RED/3003 FLOAT FOR DRIP TRAY XSM	54	421944009411	BLK REED SUPPORT SMR
15	17001556	TRANSP.SILICONE FOOT SMR	55	17800442	2POLES CONNECT.SENSOR REED DUMP BOX
16	17001025	MATT/BLACK FRONT PANEL CAP SMR	56	12000895	SCREW TSP TORX 10 3X10 PLAST.SS
17	421941308331	CPR GAG SMRG/P-H 230V ASSY.	57	421944061701	SS CYL.PIN D=3.4 L=15.3
17	421941308371	CPR GAG SMRG/P-H 120V ASSY.	58	421941309461	KIT SPARES CONTAINERS LIDS (A)
17	421941309291	CPR GAG SMRG-BRA/P REV01 ASSY	58	421941309471	KIT SPARES CONTAINERS LIDS (B)
18	17001484	MATT/BLK REAR CASING PROGRAM.INSERT NPR	58	421941309481	KIT SPARES CONTAINERS LIDS (C)
19	0301.961	STICKER FOR WATER HARDNESS TEST	58	421941309491	KIT SPARES CONTAINERS LIDS (D)
20	17001363	NAT/GREY WATER CONTAINER SMR ASSY.			
21	17001366	BLACK LID FOR DUCKBILL VALVE SMR			
22	11003671	TRANSP.VALVE FOR WATER CONTAINER P0049			
23	421941157852	GRY WATER CONTAINER VALVE INSERT P0049			
24	11003672	SS SPRING FOR WATER CONTAIN.VALVE P0049			
25	140328461	OR ORM 0190-10 EPDM			
26	224640200	WHITE WATER CONTAINER EXT.FILTER ASSY.			
27	17001322	BLACK WATER CONTAINER HANDLE SMR			
28	17001474	BLACK WATER LEVEL SENSOR SUPPORT SMR			
29	421941306721	CPU+SW WATER LEVEL SENSOR V3 ASSY.			
30	421946000021	3P.CONN.WATER LEVEL SMR UL ASSY.			
31	12001728	SCREW TCB TORX 10 3,5X12 PLAST.SS			
32	421944043732	SS WATER CONTAINER LID V2 SMRG ASSY			
32	421944036032	DEEP/BLK WATER CONTAINER LID V2 SMRG/P			
33	421944040481	TRANSP/GRY GROUND COF.HOPPER LID SMRA			
34	421944035972	DEEP/BLK BEAN COF.CONT.LID V2 SMRG/P			
34	421944052852	BLK BEAN COF.CONT.LID V2 SMRG/P-H ASSY			
34	421944043722	SS BEAN COF.CONT.LID V2 SMRG ASSY			
34	421944056162	SS BEAN COF.CONT.LID V2 SMRG 120V ASSY			
35	11031523	BLACK INFRAREDS PLATE RYL			
36	9161.111	MAGNET FOR FLOAT SUPERAUT.			
37	11013220	STEEL PLATE FOR DOOR MAGNET XSM			
38	17001065	MATT/BLACK RIGHT SIDE DOOR SMR			

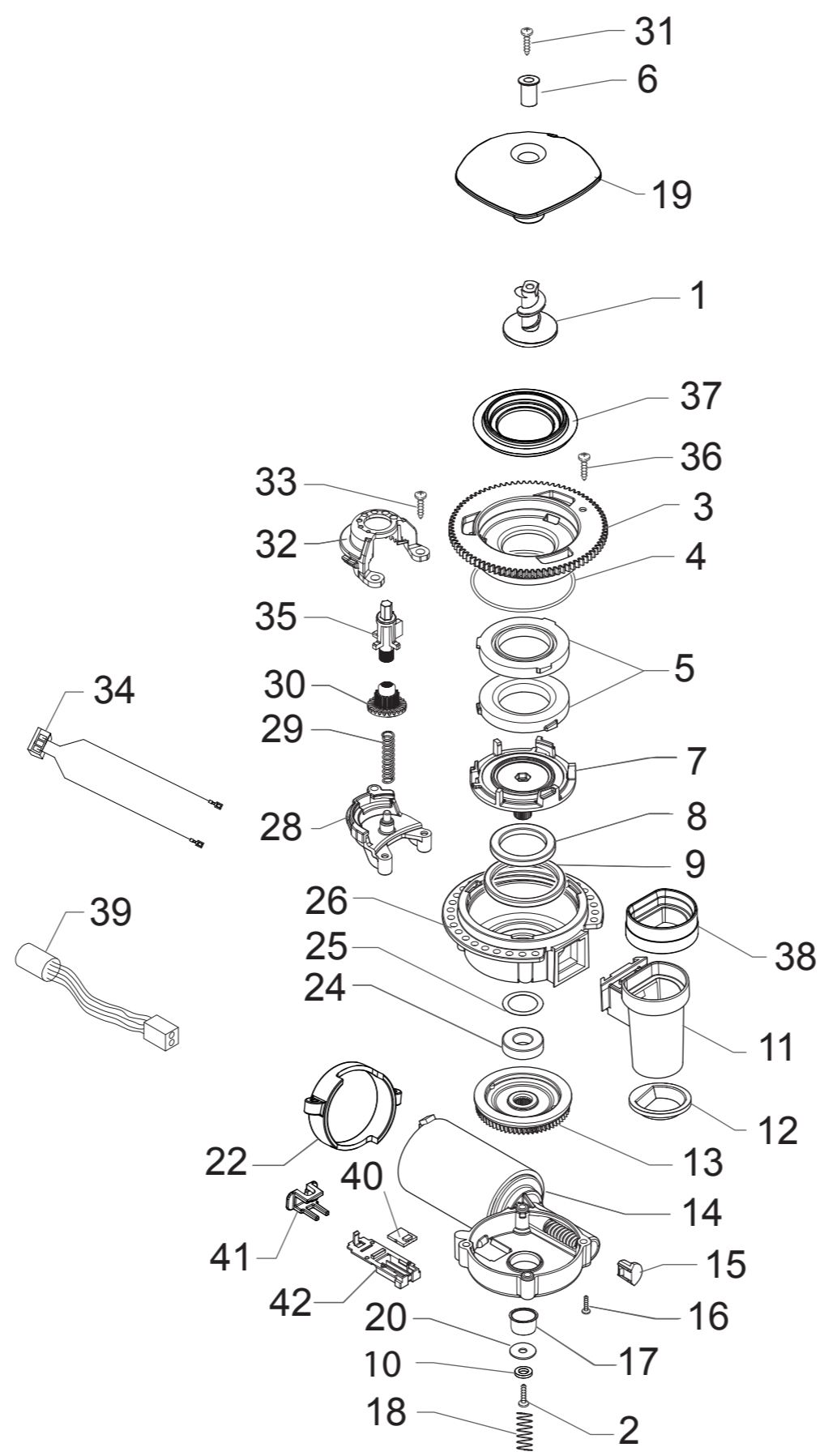


Pos	Article-Nr.	Description
1	421944043691	GAG S/SCR CHR.DISPLAY COVER SMRG
1	421944055891	GAG S/SCR CHR.DISPLAY COVER SMRG/H
2	421944036591	TRANSP.GLASS FOR DISPLAY SMRG
3	421944032671	BLK FRONT PANEL MEMBRANE SMRG/H-P-T
4	421944043621	TRANSP.STAND-BY BUTTON S/SCR.SMRG
5	12000450	SCREW TCBR TORX 10 3,5X12 PLAST.ZN-N
6	421941307111	DISPLAY LCD 128X64 SMRG
7	421944036581	BLK STAND-BY BUTTON LIGHT GUIDE SMRG
8	421944036541	BLK DISPLAY SUPPORT SMRG
9	421944043761	CHR.LEFT BUTT.S/SCR SMRG
10	421944050181	CHROM.INTERMED.RIGHT LEFT.S/SCR SMRG
11	421944049871	CHROM.INTERMED.RIGHT BUTT.S/SCR SMRG/P-H
12	421944050161	CHR.RIGHT BUTT.S/SCR SMRG CMF
12	421944044131	CHR.RIGHT BUTT.S/SCR SMRG AMF
13	421944052721	SILIC.KEY V2 SMRG
14	421941308731	KIT SPARES KYB - DISPLAY SMRG/P/H/T
15	421944036531	BLK DISPLAY KEYB.-INTERFACE SUPPORT SMRG
16	421944034431	BLOCK KEY SUPP. SMRG
17	421946020421	16P.CPU-USER INTERF.FLATCABLE SMRG
18	421944043831	CHR.COFFEE SPOUT HANDLE SMRG
19	421944043821	CHR.RIGHT FRAME COF.DISP.MOB.PART SMRG
20	421944056791	M/BLK COF.DISPEN.MOBILE PART V2 SMRG AS.
21	421944043811	CHR.LEFT FRAME COF.DISP.MOB.PART SMRG
22	421944057331	BLK MOBILE SPOUT INSERT V2 SMGR
23	421944056581	BLK COFFEE DISPENSER LID V2 SMRG
24	421944046151	SEAL FOR MOBILE SPOUT SUPP.SMGR
25	421944034321	BLK COFFEE DISPENSER BODY LID SMRG
26	421944017651	WHT COFFEE DISPENSER BODY SEAL SMR
27	421944034141	BLK COFFEE DISPENSER BODY SMRG
28	17000955	TRANS.BREW UNIT COF.OUTLET CONN.TUBE SMR
29	17001849	BLK BREW UNIT COFFEE OUTLET CONNECT.SMR
30	421944036611	BLK DISPLAY FRAME SMRG

Pos	Article-Nr.	Description
-----	-------------	-------------

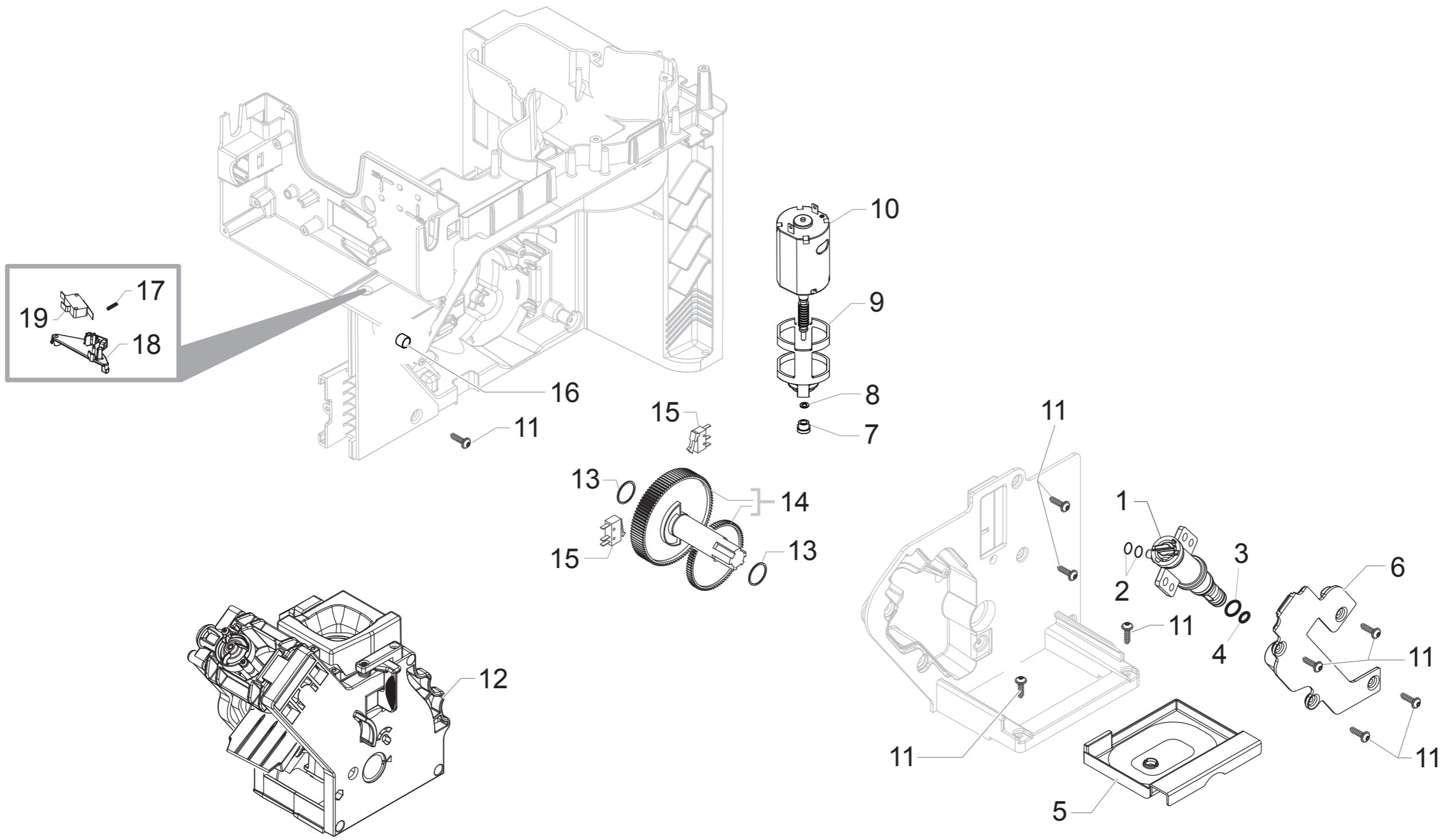
Pos	Article-Nr.	Description
1	421944040831	BLK SLIM TUB.BOILER SUPPORT V2 SMR
2	421944046121	TUB.BOILER XS4 1300W 120V ASSY.
2	421944028841	TUB.BOILER XS4 1900W 230V ASSY.
3	12001280	SCREW TSP TORX 10 5X20 PLAST.ZN-B
4	12001033	THERMOSTAT ONE SHOT 190°
5	11001751	TUB.BOILER V3 UPPER THERM.FIXING SPRING
6	12001715	SCREW TCB TORX 20 M4X8 AUTOFORMING ZN-B
7	NV99.099	TURBINE D=1,2 932-8521/00 ASSY.
8	17800686	3POLES CONNECTOR FLOWMETER SMR UL
9	17000727	BLACK CONNECTOR FOR PIN BOILER SMR
10	11004689	TEA/BRASS SAFETY VALVE 16-18 BAR ASSY.
11	149205850	BLACK TYPE ULKA PUMP W/BEVEL SUPPORT
12	12000140	ULKA PUMP EP5/S GW 230V-50HZ
12	12000142	ULKA PUMP EAP5/S 120V-60HZ
12	12000182	ULKA PUMP EP5/S GW 220V-60HZ
13	11002149	BLACK PUMP OUTLET 90°CONNECTOR P0049/A
14	12000892	OETIKER CLAMP D=9,5 16700004
15	JS01.022	SILICONE TUBE 5X10 60SH IN ROLL
16	16000380	5X8,9 SILICONE TUBE IN ROLL
17	12000450	SCREW TCB TORX 10 3,5X12 PLAST.ZN-N
18	190800100	TEMPERATURE SENSOR NTC UL L=280MM
18	17800628	TEMPERATURE SENSOR NTC UL L=550MM
19	16000540	TRANSPAR.11X12,8 SILICONE TUBE IN ROLL
20	0701.081	SPRING FOR TUBE PRODUCT 1
21	421944029371	SOLENOID VALVES V2 SMR/T 24V ASSY.
22	17001029	STEAM TUBE SUPPORT SMR
23	140324461	OR ORM 0060-20 TERMOIL
24	17001028	BLACK BUSH FOR STEAM TUBE SMR
25	11030926	TF/CHROM.STEAM TUBE SMR ASSY.
26	421941300671	BLK/SIL.STEAM TUBE HANDGRIP G0053
27	11001620	BLACK PANNARELLO INNER TUBE P0049
28	11001621	SS PANNARELLO COVER P0049
29	421944031431	BLK CAPPUC.CASING COV.V3 S/SCR.SMR/H AS.
30	NM01.028	O-RING 106 SILICONE
31	421944022461	BLK CAPPUC.CASING V3 SMR/H
32	421941301121	BLK CAPPUC.CASING COVER RING SMR/H
33	421941301131	BLK CAPPUC.CASING SEAL SMR/H
34	147922350	BLACK CONNECTOR 90° FOR SPHERIC.CAPPUC.
35	9972.045	SILICONE TUBE 3,5X6 L=350 MM DS
36	421944031491	CHR CAPPUC.V3 SMR/H ASSY.
37	421941301143	BLK STEAM TUBE INSERT V3 SMR/H
38	421944031451	CHROMED STEAM TUBE INSERT COVER SMR/H
39	17800635	2POLES CONNECTOR PUMP SMR UL
100	421944046301	GEN.TUB.BOILER XS4 1900W 230V ASSY.
100	421944055941	GEN.TUB.BOILER XS4 GAG 1300W 120V ASSY

Pos	Article-Nr.	Description
-----	-------------	-------------



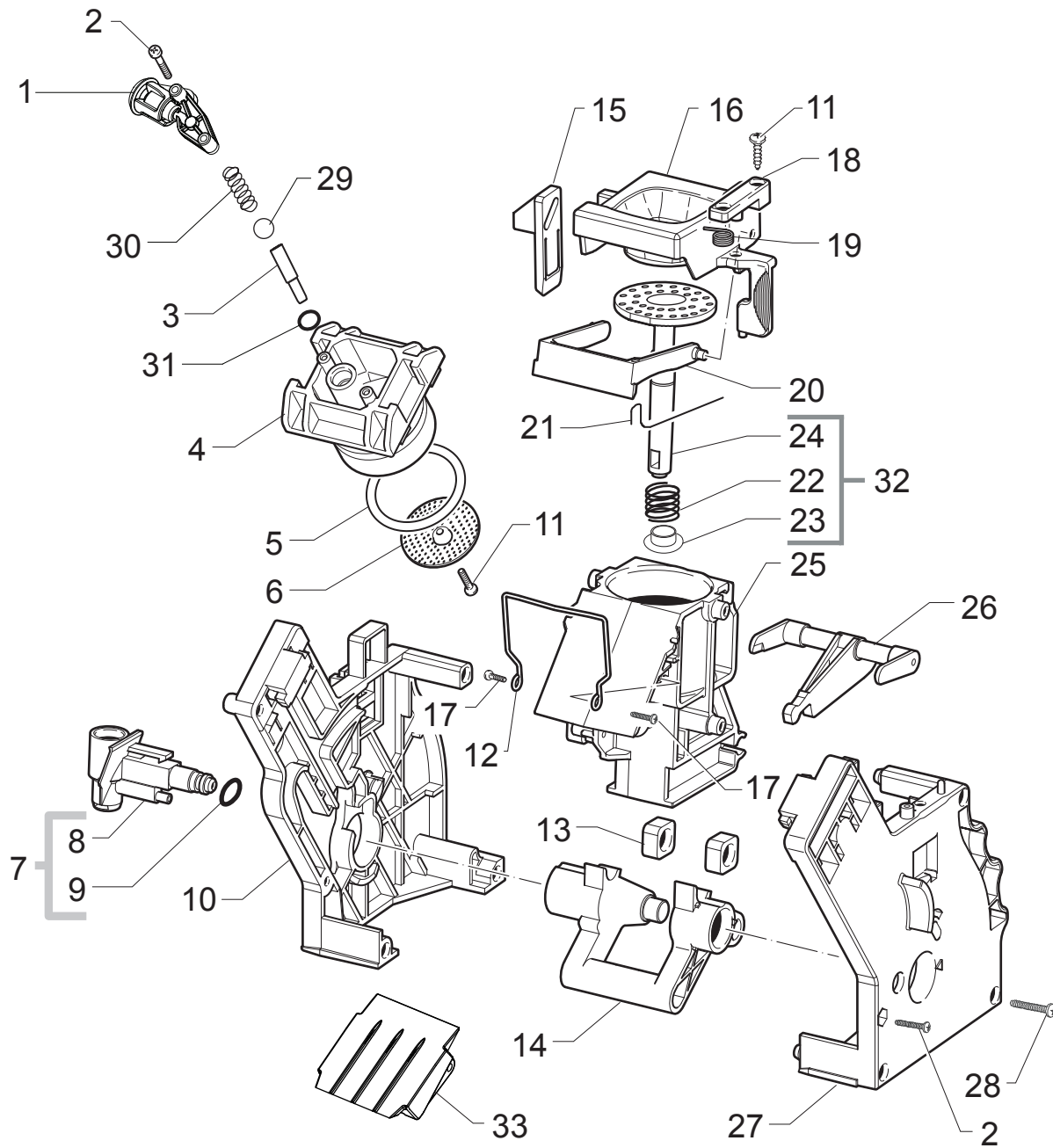
Pos	Article-Nr.	Description
1	11010031	TEA/ZAMA INCREASE SCREW GRINDER
2	129574802	SCREW TCB TORX 20 M4X30 ZN-B
3	421944053581	BLK COF.GRINDER UPPER GRINDER SUPPORT V3
4	140328960	OR ORM 0530-15 NBR FDA
5	146520100	BAKED CLAY GRINDER 48X28
6	11012466	BRASS BUSH BEAN CONT.FINGER PROTEC.P0057
7	149198350	BLK LOWER COFFEEGRINDER GRINDER SUPPORT
8	123030300	AXIAL BEARING EKKO 342.35252
9	140360500	FELT RING 45,4X39,4X4
10	128310402	GALV.WASHER UNI 8842 A4
11	11026355	BLK GROUND COFF.OUTLET CONVEYOR V4 ASSY.
12	421944060561	GRY GROUND COF.CONT.LOWER SEAL V2 SMART1
13	226000300	GEAR SX Z=38 FOR GRINDER MOTION ASSY.
14	421941305001	MOTOR COFFEEGRINDER V3.1 120V ASSY.
14	421944049151	MOTOR COFFEEGRINDER V3.2 230V ASSY.
15	149214800	MC V3 MOD=1,25 WORM SCREW CENTRING CAP
16	129661702	SCREW TCB TORX 3,5X30 PLAST.ZN-B
17	11002873	INSULATOR BUSH FOR GRINDER MOTOR P124
18	11000597	STEEL COF.GRINDER SUPPORT SPRING P124
19	17001008	TRANS.BEAN CONTAIN.FINGER PROTECT.SMR UL
20	128381902	STEEL FLAT WASHER DI=4,3 DE=14 SP=1,5
22	11000194	BLACK COFFEEGRINDER MOTOR SUPPORT P124
24	123030200	RADIAL BEARING 61900.2RS1
25	128381800	STEEL CRINKLE WASHER 21,8X14X0,25
26	142905450	BLK UPPER BODY WITH COFFEE GROUND OUTLET
28	11002613	LOWER COFFEEGRINDER GEAR SUPPORT P124
29	11002572	COFFEEGRINDER REGULATION SPRING P124
30	11003784	COFFEE GRINDING ADJUSTMENT GEAR P0049
31	U043.004	ZN-B TCB TORX 20 M4X16 ZN-B
32	11002508	UPPER COFFEEGRINDER GEAR SUPPORT P124
33	129914002	SCREW TCB TORX 10 3,5X16 PLAST.ZN-B
34	17800688	2POLES CONNET.COFFEEGRINDER MOTOR SMR UL
35	421944025161	YLW BEAN COFFEE GRINDER INSERT SMR
36	12001622	SCREW TCB TORX B 3,5X9,5 SCHEET NIK
37	421941085872	COFFEE GRINDER SEAL P119 GRY 7035
38	145854360	BLK GROUND COFFEE CONT.UPPER SEAL SMART1
39	17800687	3POLES CONNECTOR MC SENSOR SMR UL
40	181540900	ELECTR.BOARD WITH SENSOR HAL506 SF-K
41	17001921	BLK WIRING FIX INSERT FOR GRINDER BOARD
42	149199050	BLK SENSOR SUPPORT FOR COF.GRINDER MOTOR
100	421944054601	GEN.MOT.COF.GRINDER V2 SMR/H-P-T 120V AS
100	421944054631	GEN.MOTOR COF.GRINDER V2 SMR/B 230V ASSY

Pos	Article-Nr.	Description
-----	-------------	-------------



Pos	Article-Nr.	Description
1	421946011491	BLK PIN FOR BOILER VALVE 4BAR ASSY.
2	140328059	OR 2015 SILICONE PTFE/FDA
3	NM01.035	OR ORM 0090-20 SILICONE
4	NM01.057	OR ORM 0050-20 IN SILICONE
5	421944008911	BLK BREW UNIT DRAWER COFFEE SMR
6	17000730	BLACK BOILER SEAT PIN COVER SMR
7	9121.046	BRONZE SINTERED BUSH FOR MOTOR RATIOMOT.
8	148380200	BAKELIZZATE WASHER D=5,5
9	9121.044	ANTIVIBRATION FOR MOTOR
10	11005214	MOTOR FOR RATIOMOTOR P124 ASSY.
11	12001728	SCREW TCBR TORX 10 3,5X12 PLAST.SS
12	421944052401	BLK/YLW BREW UNIT 8GR.5BAR SMR
13	9161.132	MYLAR WASHER FOR RATIOMOTOR
14	20000900	SPARES KIT GEARS FOR RATIOMOTOR V2
15	12001841	MICROSWITCH XC/SM1
16	9161.111	MAGNET FOR FLOAT SUPERAUT.
17	421944006861	STEEL SPRING FOR MICRO COMPENSATOR SMR
18	17001508	BLACK MICRO COMPENSATOR SMR
19	12001890	MICROSWITCH XG/V3D

Pos	Article-Nr.	Description
-----	-------------	-------------



Pos	Article-Nr.	Description
1	421944065221	BLK BREW UNIT COF.OUTLET SLEEVE SMR ASSY
2	12000550	SCREW TCB TORX 10 3X25 PLAST.SS
3	11009276	BLK COUNTER PISTON TUBE BREW UNIT S0053
4	11001840	BLACK COUNTER PISTON BREW UNIT 8GR.P124
5	NM01.044	OR ORM 0320-40 SILICONE PTFE/FDA
6	9161.268	PERCOLATOR DE=35,8 ELFO
7	20000440	BLACK WATER INLET SLEEVE BREW UNIT ASSY.
8	9161.064.050	BLACK WATER INLET SLEEVE BREW UNIT ROYAL
9	NM02.007	OR 2025 IN TERMOIL
10	9161.375.050	BLACK BREW UNIT REAR PLATE SMART
11	12000895	SCREW TSP TORX 10 3X10 PLAST.SS
12	11001556	SS BREW UNIT SPRING H=49 SMART
13	9161.094.050	BLACK BREW UNIT DRILLED BLOCK
14	421944051231	YLW BREW UNIT ELBOW SHAFT M5000
15	421944046931	YLW BREW UNIT COUPLING PLATE V2 SMART
16	149261350	BLACK HOPPER DOSER BREW UNIT SMART1
17	129912521	SCREW TCB TORX 10 3,5X14 PLAST.SS
18	421944050711	YLW BREWUNIT HOPPER BLOCKING PLATE SMART
19	9161.378	SS HOPPER SPRING FOR BREW UNIT SMART
20	11004161	BLACK SCRAPER FOR BREW UNIT M5000
21	9161.046	SS SCRAPER SPRING FOR BREW UNIT
22	9161.198	SS.8GR.BREW UNIT PISTON SPRING
23	9161.191	WHITE 8GR.-12GR.BREW UNIT PISTON BUSH
24	421944025621	BLK BREW UNIT INTEGR.PISTON 8GR.V3 ASSY.
25	421944040801	BLK BREW UNIT COFFEE CONT.V2 P124 ASSY.
26	11003078	BLACK CONNECTING ROD BREW UNIT 8GR.
27	11005920	BLACK BREW UNIT FRONT PLATE S/SCR.SMART
28	12000897	SCREW TCB TORX 10 3,5X20 PLAST.SS
29	421944034451	BOROSILICATE SPHERE D.5 MM
30	11012095	SS COFFEE UNIT CONTERPISTON SPRING S0053
31	140328761	OR ORM 0060-15 TERMOIL
32	421944029791	BLK BREW UNIT 8GR.INT.PISTON GEN.V3 ASSY
33	17000737	BLACK BREW UNIT CONVEYOR SLIDE L=56,3
100	421944052401	BLK/YLW BREW UNIT 8GR.5BAR SMR

Pos	Article-Nr.	Description
-----	-------------	-------------