

RI8762/01-03-18 (SUP043U)
RI8762/41-42-46
RI8763/01-41-42-46 (SUP043UE)

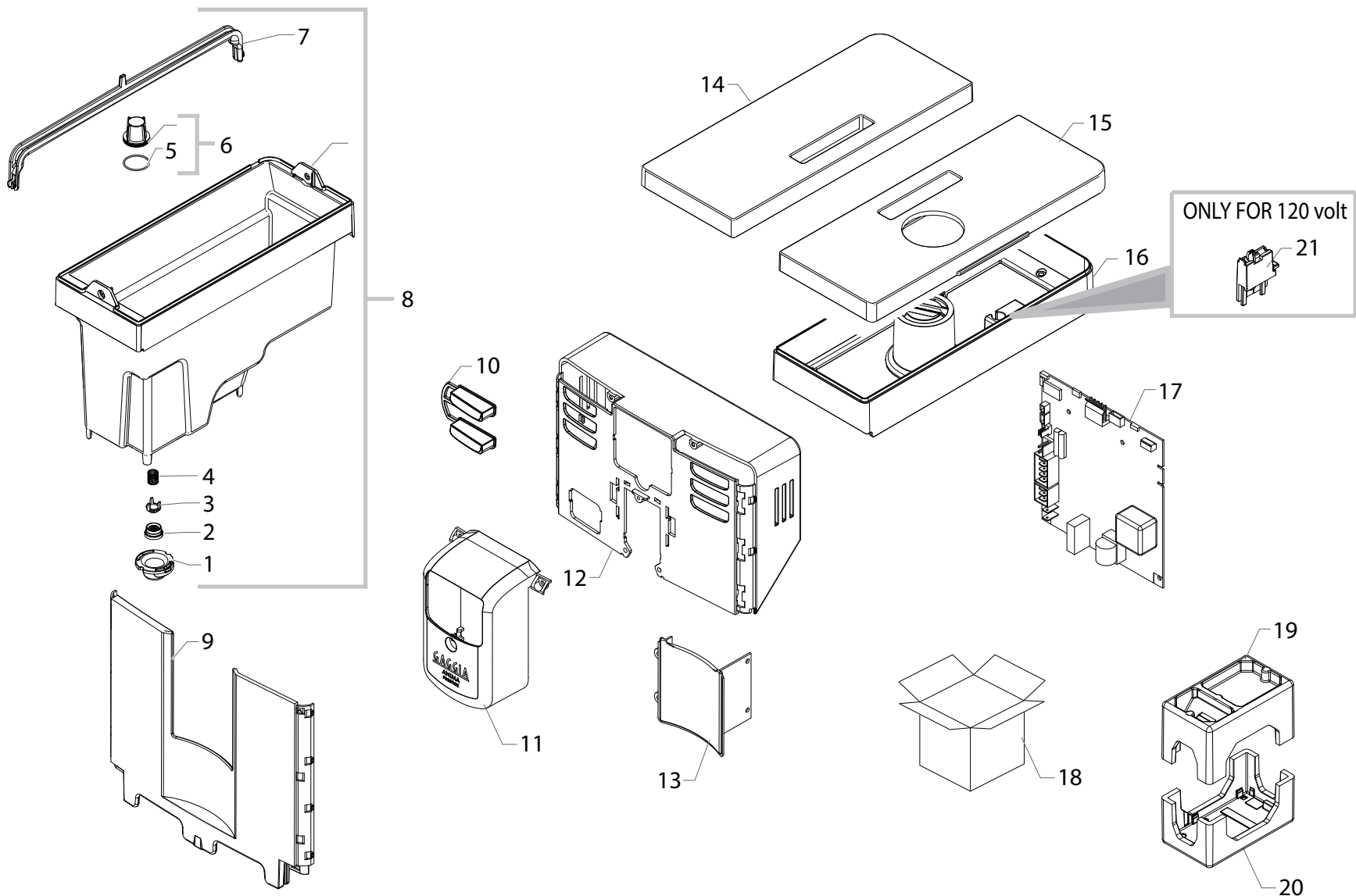


Cod.886876201010-886876203530-886876218150
Cod.886876241240-886876242240-886876246540
Cod.886876301010-886876341240-886876342240-886876346540

| POS | CODE | 12NC | DESCRIPTION | NOTE | POS | CODE | 12NC | DESCRIPTION | NOTE |
|-----|-----------|--------------|---|--------------------|----------|--------------|--------------|--|-------------------|
| 01 | 127390100 | 996530011867 | BRUSH FOR CLEANING | | 29 | | 421941306721 | CPU+SW WATER LEVEL SENSOR V3 ASSY. | |
| 02 | | 421944033301 | BLK ABS COFFEE MEASURE SMART | | 11003232 | 996530001522 | 996530001522 | CPU+SW WATER LEVEL SENSOR V2 ASSY. | ONLY RI8763/41-46 |
| 03 | | 421946001591 | BLK POWER CABLE SCHUKO L=800 | | 30 | | 421946000021 | 3P.CONN.WATER LEVEL SMR UL ASSY. | RI8762/01-03-18 |
| | 183940650 | 996530025872 | BLACK POWER CABLE AUSTRALIA L=1200 | RI8762/03 | 31 | 12001728 | 996530070321 | SCREW TCB TORX 10 3,5X12 PLAST.SS | |
| | 183970350 | 996530025882 | BLK POWER CABLE 3X1 H05VV-F UK L=1200MM | RI8762/18 | 32 | | 421944043731 | SS WATER CONTAINER LID SMRG/H ASSY | RI8762/01-03-18 |
| | 17800330 | 996530069926 | BLK POWER CABLE BRAZIL L=1200 | | 33 | | 421944040481 | TRANSP/GRY GROUND COF.HOPPER LID SMRA | |
| | 17800019 | 996530009627 | BLK POWER CABLE BRAZIL L=1200 | RI8762/42 | 34 | | 421944043721 | SS BEAN COF.CONT.LID SMRG/H ASSY. | RI8762/01-03-18 |
| | 183921950 | 996530025843 | BLK POWER CABLE SJT3 USA UL L=1200 | | | | 421944056161 | SS BEAN COF.CONT.LID SMRG 120V ASSY | RI8762/41-42-46 |
| | | | ONLY RI8762/46 RI8763/46 | | 35 | 11031523 | 996530073462 | BLACK INFRAREDS PLATE RYL | |
| 04 | 129913202 | 996530013156 | SCREW TCB TORX 10 3X8 PLAST.ZN-B | | 36 | 9161.111 | 996530050555 | MAGNET FOR FLOAT SUPERAUT. | |
| 05 | | 421946017941 | KLUBERLUB NH1 11-222 TUBE 5GR. | | 37 | 11013220 | 996530069857 | STEEL PLATE FOR DOOR MAGNET XSM | |
| 06 | | 421941308001 | KIT PS-E INSERT FOR BOX SMRG | RI8762/01-03-18 | 38 | 17001065 | 996530073429 | MATT/BLACK RIGHT SIDE DOOR SMR | |
| 07 | | 421946028761 | DISPL.BOX SMRG/T GAG ANIMA | RI8762/01-03-18 | 39 | | 421944033071 | BLK UPP.CASING COV.SMRG | |
| 08 | 11000759 | 996530000487 | HOT WATER TUBE SPRING P124 | | | | 421944059171 | BLK UPP.CASING COV.W/SENS.SMRG | ONLY 120-127V |
| 09 | | 421944052811 | G/ANM DRIP TRAY SMRG/T-TE ASSY | | 40 | | 242212625104 | SWI POW 2P 12A 250V FASTON GP12H B | |
| 10 | | 421944037711 | SS GRATE FOR DRIP TRAY SMRG/T | | | | 242212625106 | SWI POW 2P 10A 250V FASTON 8500 B | ONLY 120-127V |
| 11 | | 421944043651 | DRIP TRAY INSERT SMRG/H ASSY | RI8762/01-03-18 | 41 | | 421944056211 | DEEP/BLK REAR LID FIXING INSERT SMRG | RI8762/01-03-18 |
| 12 | 12000280 | 996530007788 | CUP SOCKET EN 60320 C 13 | | 42 | | 421944040451 | BLK CONT.SEP.INSERT SMR | |
| 13 | | 421944042991 | BLK DUMP BOX SMRG | | 43 | | 421944051261 | UPP.CAS.COVER INS.S/SCR GAG SMRG/T ASSY | RI8762/01-03-18 |
| 14 | | 421941304791 | RED/3003 FLOAT FOR DRIP TRAY XSM | | 44 | | 421944056221 | DEEP/BLK FRONT LID FIXING INSERT SMRG | RI8762/01-03-18 |
| 15 | 17001556 | 996530073468 | TRANSP.SILICONE FOOT SMR | | 45 | | 421944043781 | CHR.UPPER LEFT FRAME SMRG | |
| 16 | | 421944052361 | CHRM.COVER FOR CARAFE HOLE SMRG | | 46 | | 421944043771 | CHR.UPPER RIGHT FRAME SMRG | |
| 17 | | 421941308351 | CPR GAG SMRG/T 230V ASSY. | RI8762/01-03-18-42 | 47 | | 421944043711 | SS LOWER FRONT INSERT SMRG/H ASSY | RI8762/01-03-18 |
| | | 421941308391 | CPR GAG SMRG/T 120V ASSY. | RI8762/41-46 | 48 | | 421944043801 | CHR.LOWER RIGHT FRAME SMRG | |
| 18 | 17001484 | 996530068728 | MATT/BLK REAR CASING PROGRAM.INSERT NPR | | 49 | | 421944043791 | CHR.LOWER LEFT FRAME SMRG | |
| 19 | 0301.961 | 996530039604 | STICKER FOR WATER HARDNESS TEST | | 50 | | 421944025161 | YLW BEAN COFFEE GRINDER INSERT SMR | |
| 20 | 17001363 | 996530073476 | NAT/GREY WATER CONTAINER SMR ASSY. | RI8762/01-03-18 | 51 | | 421944052001 | CARAFE HOLE PLUG INSERT SMRG/T-TE | |
| 21 | 17001366 | 996530073463 | BLACK LID FOR DUCKBILL VALVE SMR | | 52 | 17001506 | 996530073635 | BLK DRIP TRAY LOCKING RIGHT INSERT SMR/T | |
| 22 | 11003671 | 996530001829 | TRANSP.VALVE FOR WATER CONTAINER P0049 | | 53 | 17001507 | 996530073642 | BLK DRIP TRAY LOCKING LEFT INSERT SMR/T | |
| 23 | | 421941157852 | GRY WATER CONTAINER VALVE INSERT P0049 | | 54 | | 421944009411 | BLK REED SUPPORT SMR | RI8762/41-46 |
| 24 | 11003672 | 996530001831 | SS SPRING FOR WATER CONTAIN.VALVE P0049 | | 55 | 17800442 | 996530073661 | 2P.CONN.SENS.REED DUMP BOX CST UL ASSY. | |
| 25 | 140328461 | 996530013571 | OR ORM 0190-10 EPDM | | 56 | 12000895 | 996530007951 | SCREW TSP TORX 10 3X10 PLAST.SS | |
| 26 | 224640200 | 996530029115 | WHITE WATER CONTAINER EXT.FILTER ASSY. | WITH PART.N°25 | | | | | |
| 27 | 17001322 | 996530073442 | BLACK WATER CONTAINER HANDLE SMR | RI8762/01-03-18 | | | | | |
| 28 | 17001474 | 996530073436 | BLACK WATER LEVEL SENSOR SUPPORT SMR | | | | | | |



GAGGIA ANIMA OTC - EXT



NOTE: THESE COMPONENTS ARE ONLY FOR EXT. VERSION

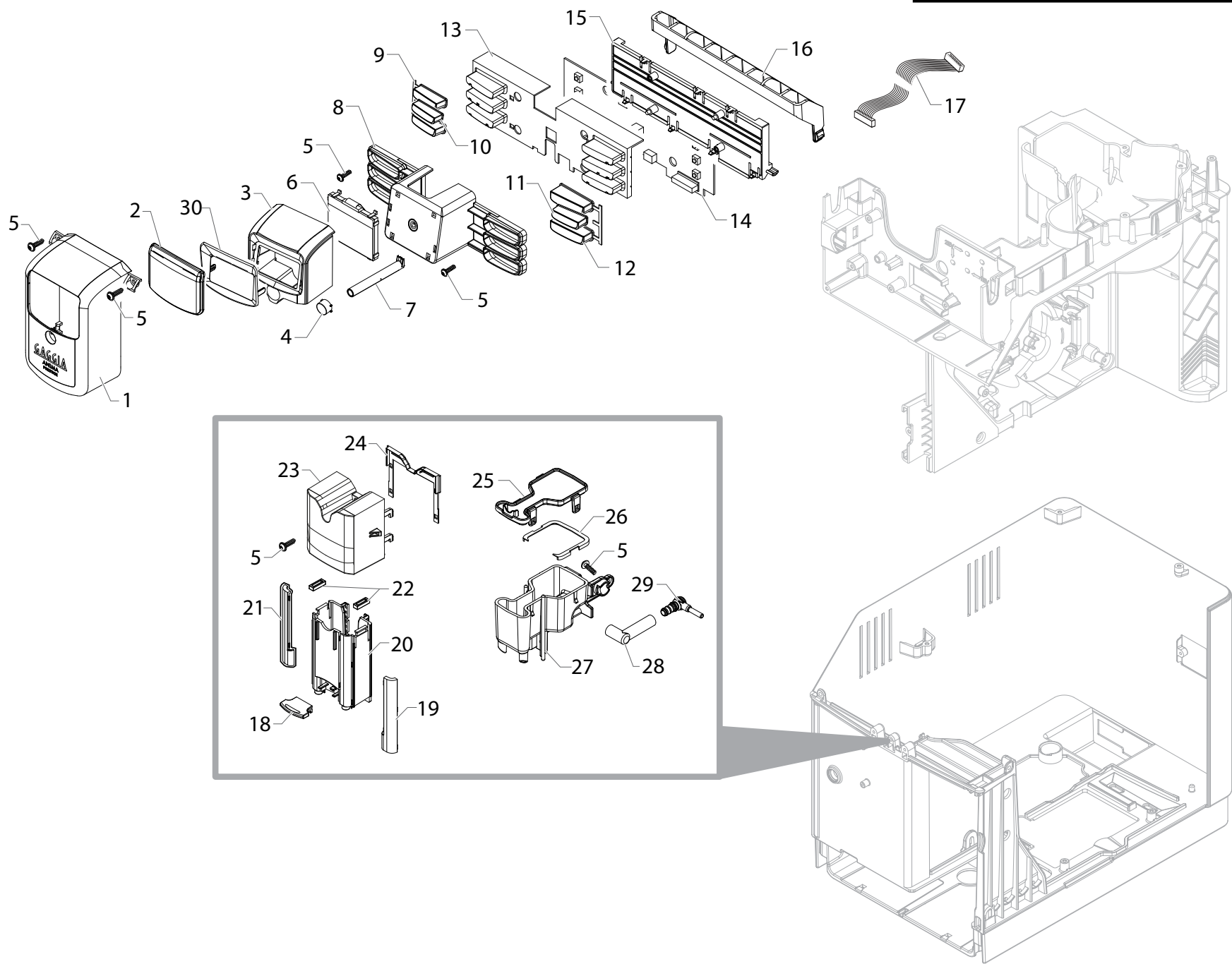


RI8762/01-03-18 (SUP043U)
 RI8762/41-42-46
 RI8763/01-41-42-46 (SUP043UE)



Cod.886876201010-886876203530-886876218150
 Cod.886876241240-886876242240-886876246540
 Cod.886876301010-886876341240-886876342240-886876346540

| POS | CODE | 12NC | DESCRIPTION | NOTE | POS | CODE | 12NC | DESCRIPTION | NOTE |
|-----|-----------|--------------|--|--------------------|-----|------|------|-------------|------|
| 01 | 17001366 | 996530073463 | BLACK LID FOR DUCKBILL VALVE SMR | RI8763/01-41-42-46 | | | | | |
| 02 | 11003671 | 996530001829 | TRANSP.VALVE FOR WATER CONTAINER P0049 | RI8763/01-41-42-46 | | | | | |
| 03 | | 421941157852 | GRY WATER CONTAINER VALVE INSERT P0049 | RI8763/01-41-42-46 | | | | | |
| 04 | 11003672 | 996530001831 | SS SPRING FOR WATER CONTAIN.VALVE P0049 | RI8763/01-41-42-46 | | | | | |
| 05 | 140328461 | 996530013571 | OR ORM 0190-10 EPDM | RI8763/01-41-42-46 | | | | | |
| 06 | 224640200 | 996530029115 | WHITE WATER CONTAINER EXT.FILTER ASSY. | RI8763/01-41-42-46 | | | | | |
| 07 | 11023155 | 996530007587 | BLACK HANDLE WATER CONTAINER LID MDS | RI8763/01-41-42-46 | | | | | |
| 08 | | 421944050151 | TRANSP/GRY WATER CONTAINER SMRG/TE ASSY. | RI8763/01-41-42-46 | | | | | |
| 09 | | 421944051331 | G/ANM DRIP TRAY INSERT SMRG/TE | RI8763/01-41-42-46 | | | | | |
| 10 | | 421944059801 | CHR.LEFT BUTT.S/SCR SMRG/TE | RI8763/01-41-42-46 | | | | | |
| 11 | | 421944055911 | GAG S/SCR CHR.DISPLAY COVER SMRG/TE | RI8763/01-41-42-46 | | | | | |
| 12 | | 421944055281 | G/ANM UPP.CAS.COV.INS.S/SCR.GAG SMRG/TE | RI8763/01-41-42-46 | | | | | |
| 13 | | 421944051361 | G/ANM CASING INSERT SMRG/TE | RI8763/01-41-42-46 | | | | | |
| 14 | | 421944042421 | G/ANM WATER CONTAINER LID SMRG/TE | RI8763/01-41-42-46 | | | | | |
| 15 | | 421944042951 | G/ANM BEAN COF.CONT.LID SMRG/TE | RI8763/01-41-42-46 | | | | | |
| 16 | | 421944050751 | TRANSP/GRY BEAN COF.CONTAINER SMRG/TE | RI8763/01-41-42-46 | | | | | |
| 17 | | 421941308751 | CPR GAG SMRG/TE 230V ASSY. | RI8763/01-42 | | | | | |
| | | 421941308881 | CPR GAG SMRG/TE 120V ASSY. | RI8763/41-46 | | | | | |
| 18 | | 421946021561 | DISPL.BOX SMRG/P-H-T GAG GIGI | RI8763/01-42 | | | | | |
| | | 421946028751 | SCAT.LIT.SMRG/TE GAG ANIMA | RI8763/41-46 | | | | | |
| 19 | | 421944055261 | PS-E UPPER INSERT FOR BOX SMRG | RI8763/01-41-42-46 | | | | | |
| 20 | 13001671 | 996530073967 | PS-E LOWER INSERT FOR BOX SMR | RI8763/01-41-42-46 | | | | | |
| 21 | | 421944009421 | BLK REED SUPPORT SMRO | RI8763/41-46 | | | | | |



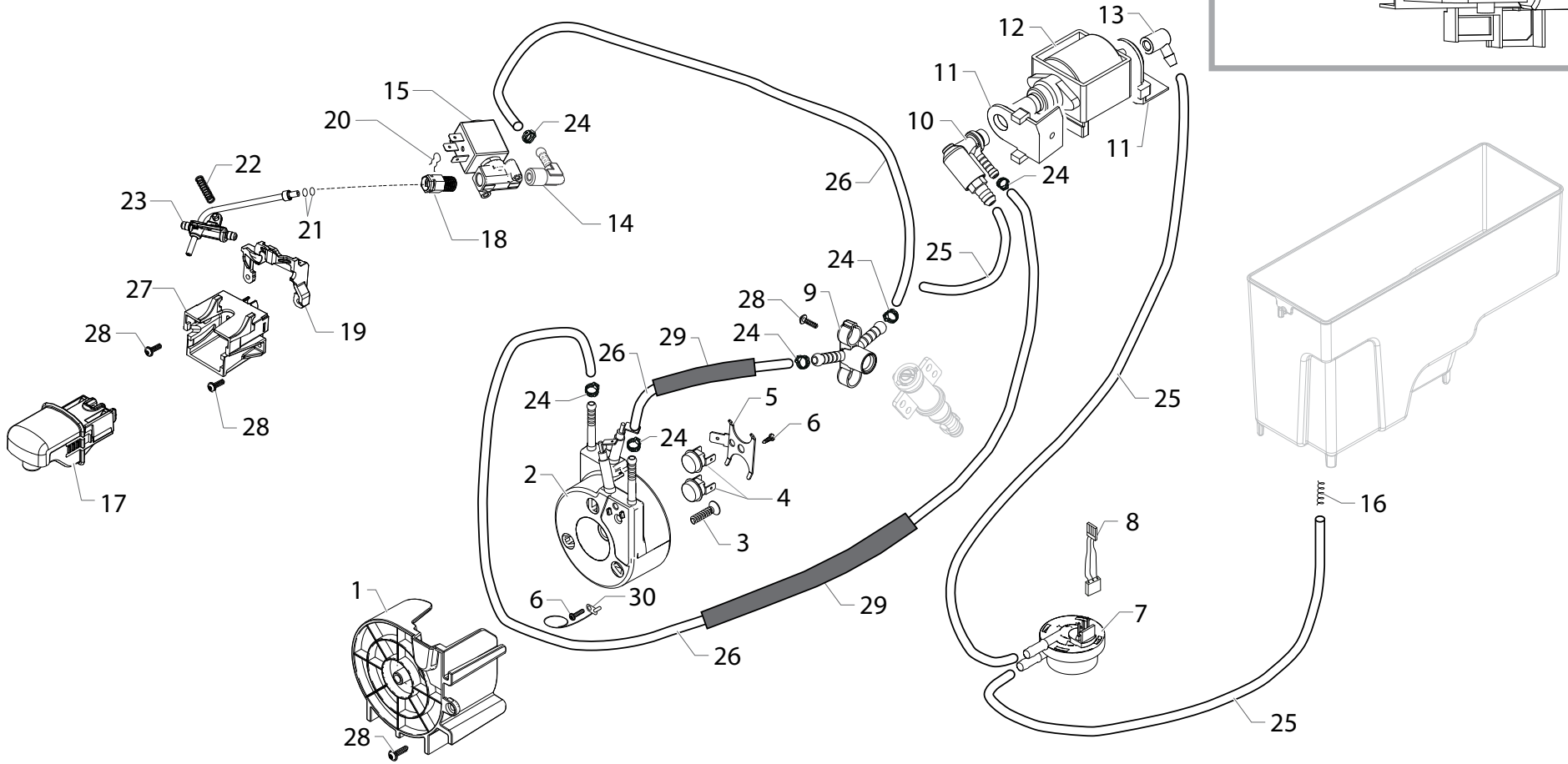
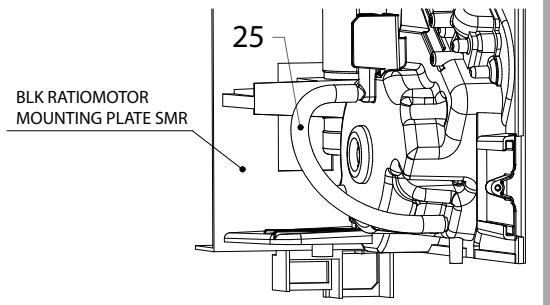
RI8762/01-03-18 (SUP043U)
 RI8762/41-42-46
 RI8763/01-41-42-46 (SUP043UE)



Cod.886876201010-886876203530-886876218150
 Cod.886876241240-886876242240-886876246540
 Cod.886876301010-886876341240-886876342240-886876346540

| POS | CODE | 12NC | DESCRIPTION | NOTE | POS | CODE | 12NC | DESCRIPTION | NOTE |
|-----|----------|--------------|--|------------|-----|------|------|-------------|------|
| 01 | | 421944055901 | GAG S/SCR CHR.DISPLAY COVER SMRG/T | Except EXT | | | | | |
| 02 | | 421944036591 | TRANSP.GLASS FOR DISPLAY SMRG | | | | | | |
| 03 | | 421944032671 | BLK FRONT PANEL MEMBRANE SMRG/H-P-T | | | | | | |
| 04 | | 421944043621 | TRANSP.STAND-BY BUTTON S/SCR.SMRG | | | | | | |
| 05 | 12000450 | 996530007819 | SCREW TCBR TORX 10 3,5X12 PLAST.ZN-N | | | | | | |
| 06 | | 421941307111 | DISPLAY LCD 128X64 SMRG | | | | | | |
| 07 | | 421944036581 | BLK STAND-BY BUTTON LIGHT GUIDE SMRG | | | | | | |
| 08 | | 421944036541 | BLK DISPLAY SUPPORT SMRG | | | | | | |
| 09 | | 421944043761 | CHR.LEFT BUTT.S/SCR SMRG | Except EXT | | | | | |
| 10 | | 421944050181 | CHROM.INTERMED.RIGHT LEFT.S/SCR SMRG | | | | | | |
| 11 | | 421944051271 | CHROM.INTERMED.RIGHT BUTT.S/SCR SMRG/T | | | | | | |
| 12 | | 421944051281 | CHR.RIGHT BUTT.S/SCR SMRG/T | | | | | | |
| 13 | | 421944052721 | BLK SILIC.KEY V2 SMRG | | | | | | |
| 14 | | 421941308731 | KIT SPARES KYB - DISPLAY SMRG/P/H/T | | | | | | |
| 15 | | 421944036531 | BLK DISPLAY KEYB.-INTERFACE SUPPORT SMRG | | | | | | |
| 16 | | 421944034431 | BLOCK KEY SUPP. SMRG | | | | | | |
| 17 | | 421946020421 | 16P.CPU-USER INTERF.FLATCABLE SMRG | | | | | | |
| 18 | | 421944043831 | CHR.COFFEE SPOUT HANDLE SMRG | | | | | | |
| 19 | | 421944043821 | CHR.RIGHT FRAME COF.DISP.MOB.PART SMRG | | | | | | |
| 20 | | 421944056791 | M/BLK COF.DISPEN.MOBILE PART V2 SMRG AS. | | | | | | |
| 21 | | 421944043811 | CHR.LEFT FRAME COF.DISP.MOB.PART SMRG | | | | | | |
| 22 | | 421944057331 | BLK MOBILE SPOUT INSERT V2 SMGR | | | | | | |
| 23 | | 421944056581 | BLK COFFEE DISPENSER LID V2 SMRG | | | | | | |
| 24 | | 421944046151 | SEAL FOR MOBILE SPOUT SUPP.SMGR | | | | | | |
| 25 | | 421944034321 | BLK COFFEE DISPENSER BODY LID SMRG | | | | | | |
| 26 | | 421944017651 | WHT COFFEE DISPENSER BODY SEAL SMR | | | | | | |
| 27 | | 421944034141 | BLK COFFEE DISPENSER BODY SMRG | | | | | | |
| 28 | 17000955 | 996530073471 | TRANS.BREW UNIT COF.OUTLET CONN.TUBE SMR | | | | | | |
| 29 | 17001849 | 996530073464 | BLK BREW UNIT COFFEE OUTLET CONNECT.SMR | | | | | | |
| 30 | | 421944036611 | BLK DISPLAY FRAME SMRG | | | | | | |

3D VIEW TO INDICATE THE INSTALLATION OF THE EXHAUST PIPE FOR COMPARTMENT TANK



RI8762/01-03-18 (SUP043U)
 RI8762/41-42-46
 RI8763/01-41-42-46 (SUP043UE)

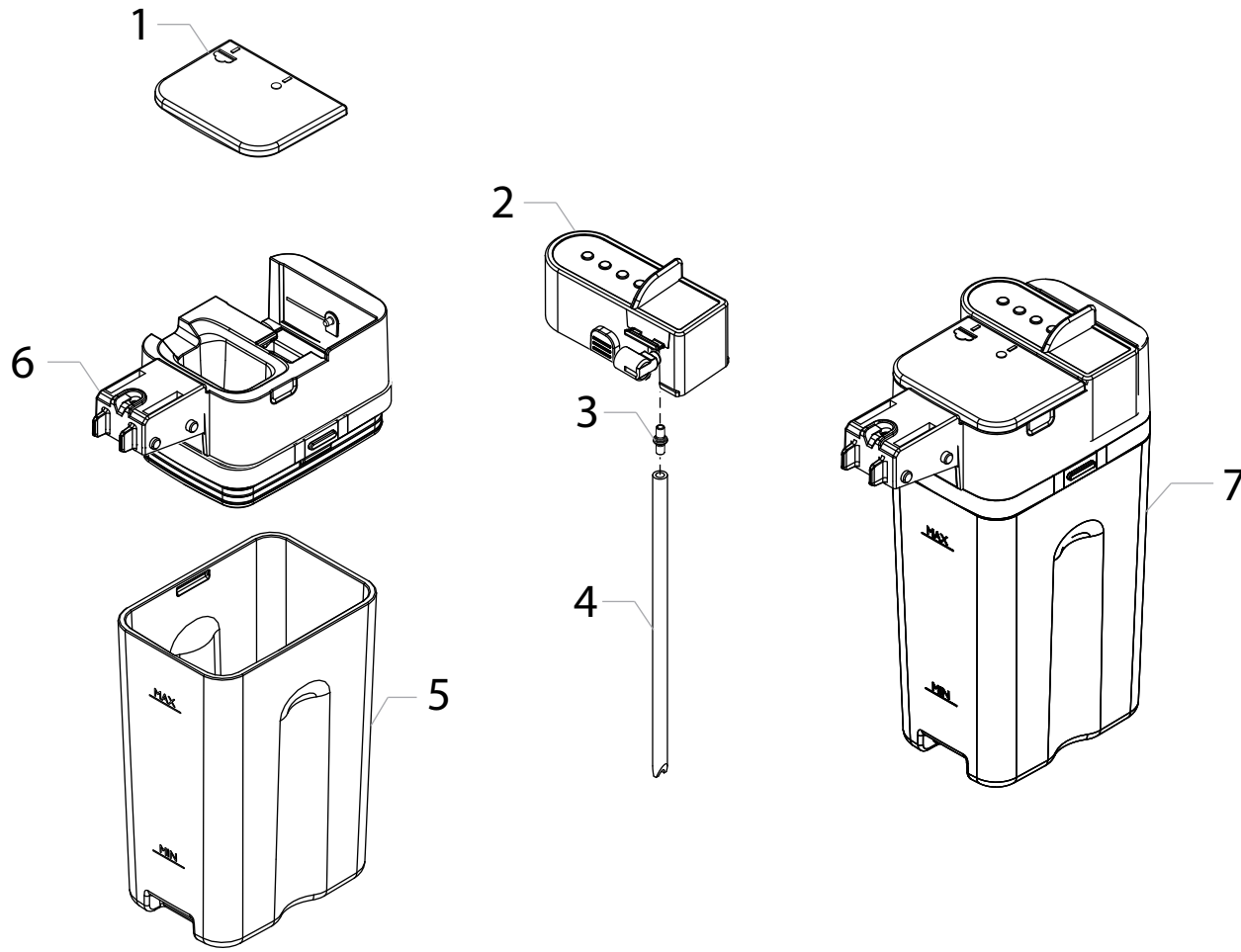


Cod.886876201010-886876203530-886876218150
 Cod.886876241240-886876242240-886876246540
 Cod.886876301010-886876341240-886876342240-886876346540

| POS | CODE | 12NC | DESCRIPTION | NOTE | POS | CODE | 12NC | DESCRIPTION | NOTE |
|-----|-----------|---------------|--|---------------|-----|------|--------------|--|----------|
| 01 | | 421944040831 | BLK SLIM TUB.BOILER SUPPORT V2 SMR | | | | 421944046301 | GEN.TUB.BOILER XS4 1900W 230V ASSY. | COMPLETE |
| 02 | | 421944028841 | TUB.BOILER XS4 ASSY. | 230V-1900W | | | 421944055941 | GEN.TUB.BOILER XS4 GAG 1300W 120V ASSY | COMPLETE |
| | | 421944046121 | TUB.BOILER XS4 ASSY. | 120V-1300W | | | | ONLY 120-127V | |
| 03 | 12001280 | 996530008024 | SCREW TSP TORX 10 5X20 PLAST.ZN-B | | | | | | |
| 04 | 12001033 | 996530007973 | THERMOSTAT ONE SHOT 190° | | | | | | |
| 05 | 11001751 | 996530000997 | TUB.BOILER V3 UPPER THERM.FIXING SPRING | | | | | | |
| 06 | 12001715 | 9965300069758 | SCREW TCB TORX 20 M4X8 AUTOFORMING ZN-B | | | | | | |
| 07 | NV99.099 | 9965300059843 | TURBINE D=1,2 932-8521/00 ASSY. | | | | | | |
| 08 | 17800686 | 996530073488 | 3POLES CONNECTOR FLOWMETER SMR UL | | | | | | |
| 09 | 17000727 | 996530073427 | BLACK CONNECTOR FOR PIN BOILER SMR | | | | | | |
| 10 | 11004689 | 996530002484 | TEA/BRASS SAFETY VALVE 16-18 BAR ASSY. | | | | | | |
| 11 | 149205850 | 996530018056 | BLACK TYPE ULKA PUMP W/BEVEL SUPPORT | | | | | | |
| 12 | 12000140 | 996530007753 | ULKA PUMP EP5/S GW | 230V-50HZ | | | | | |
| | 12000142 | 996530007754 | ULKA PUMP EAP5/S | 120V-60HZ | | | | | |
| | | | ONLY 120-127V | | | | | | |
| 13 | 11002149 | 996530001186 | BLACK PUMP OUTLET 90°CONNECTOR P0049/A | | | | | | |
| 14 | 11024469 | 9965300067632 | L-F/BRASS CONNECTOR FOR BOILER AURA | | | | | | |
| 15 | | 421944029331 | 2WAY EV OT57 G1/8F. X G1/8F.24V DC 10W-B | | | | | | |
| 16 | 0701.081 | 996530073439 | SPRING FOR TUBE PRODUCT 1 | | | | | | |
| 17 | | 421944042971 | BLK HOT WATER DISPENSER SMRG ASSY. | | | | | | |
| 18 | 11027572 | 996530072695 | L-F/BRASS CONNECTOR 1/8" FOR TUBE D=4 | | | | | | |
| 19 | | 421944008851 | BLK CARAFE GRAFT BODY INSERT SMR/T | | | | | | |
| 20 | 9011.144 | 996530048885 | SS FORK FOR TUBE D=4 | | | | | | |
| 21 | 140328059 | 996530013564 | OR 2015 SILICONE PTFE/FDA | | | | | | |
| 22 | 17000006 | 996530009559 | TWO WAY TEFLON TUBES SUPPORT SPRING MYB9 | | | | | | |
| 23 | | 421944029721 | WHT PREFORM.TEFLON TUBE SUP.145 SMR/T AS | | | | | | |
| 24 | 12000892 | 996530007947 | OETIKER CLAMP D=9,5 16700004 | | | | | | |
| 25 | JS01.022 | 996530057357 | SILICONE TUBE 5X10 60SH | IN ROLL | | | | | |
| 26 | 16000380 | 996530009505 | 5X8,9 SILICONE TUBE | IN ROLL | | | | | |
| 27 | | 421944008431 | BLK CARAFE INSERT BODY SMR/T | | | | | | |
| 28 | 12000450 | 996530007819 | SCREW TCB TORX 10 3,5X12 PLAST.ZN-N | | | | | | |
| 29 | 16000540 | 996530009523 | TRANSPAR.11X12,8 SILICONE TUBE | IN ROLL | | | | | |
| 30 | 17800628 | 996530073428 | TEMPERATURE SENSOR NTC UL L=550MM | | | | | | |
| | 190800100 | 996530026997 | TEMPERATURE SENSOR NTC UL L=280MM | ONLY 120-127V | | | | | |



GAGGIA ANIMA OTC - EXT



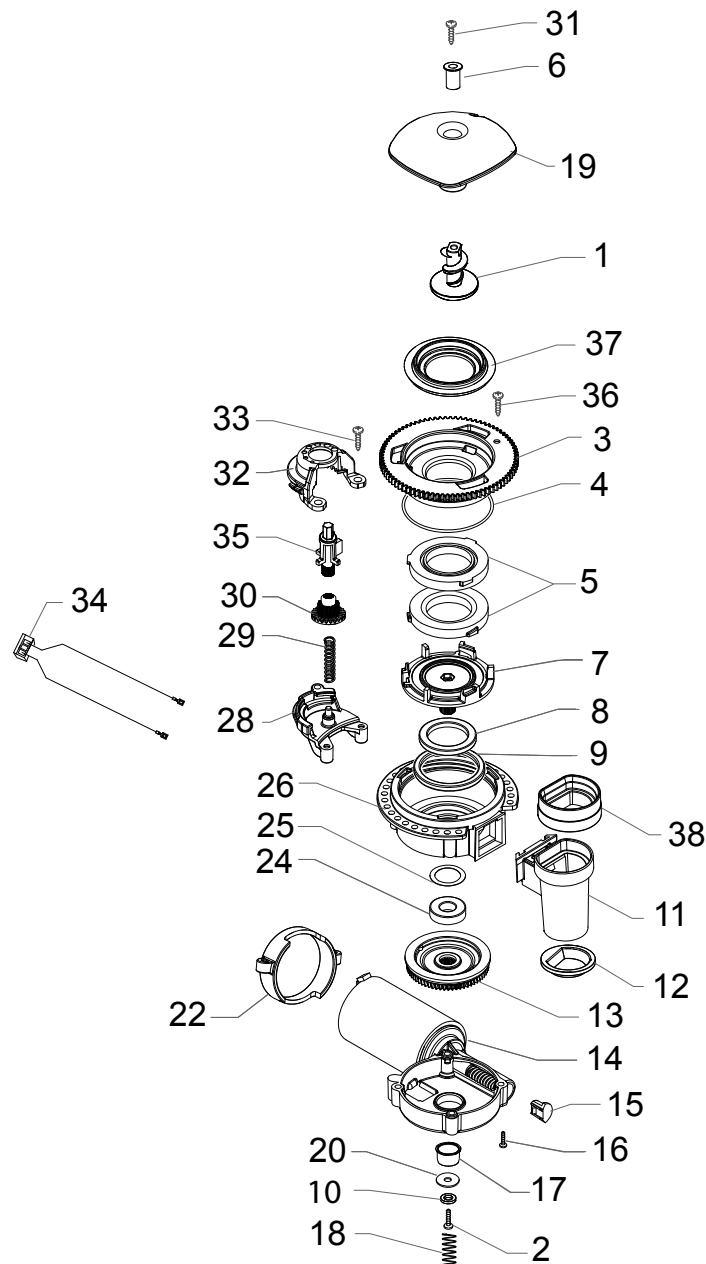
RI8762/01-03-18 (SUP043U)
 RI8762/41-42-46
 RI8763/01-41-42-46 (SUP043UE)



Cod.886876201010-886876203530-886876218150
 Cod.886876241240-886876242240-886876246540
 Cod.886876301010-886876341240-886876342240-886876346540

| POS | CODE | 12NC | DESCRIPTION | NOTE | POS | CODE | 12NC | DESCRIPTION | NOTE |
|-----|----------|--------------|--|------|-----|------|------|-------------|------|
| 01 | | 421944007561 | BLK CARAFE COVER PLUG SMR/T | | | | | | |
| 02 | | 421941307191 | KIT SPAR.BLK CAP.COV.SERVO CAR.SMRT/T AS | | | | | | |
| 03 | 17001362 | 996530068626 | BLK MILK INTAKE TUBE CONNECT.INS.V2 RYL | | | | | | |
| 04 | 11012814 | 996530067584 | SILICONE TUBE 3,5X6 L=140 MM | | | | | | |
| 05 | | 421944032881 | TRANSP.D/GREY PH.11514 CARAFE V2 HGO/T | | | | | | |
| 06 | | 421941307041 | KIT SPARES BLK UPP.COV.SERVO CAR.SMRT/T | | | | | | |
| 07 | | 421944029451 | TRANSP/BLK GEN.CARAFE SLID.SMR/T ASSY. | | | | | | |





RI8762/01-03-18 (SUP043U)
 RI8762/41-42-46
 RI8763/01-41-42-46 (SUP043UE)

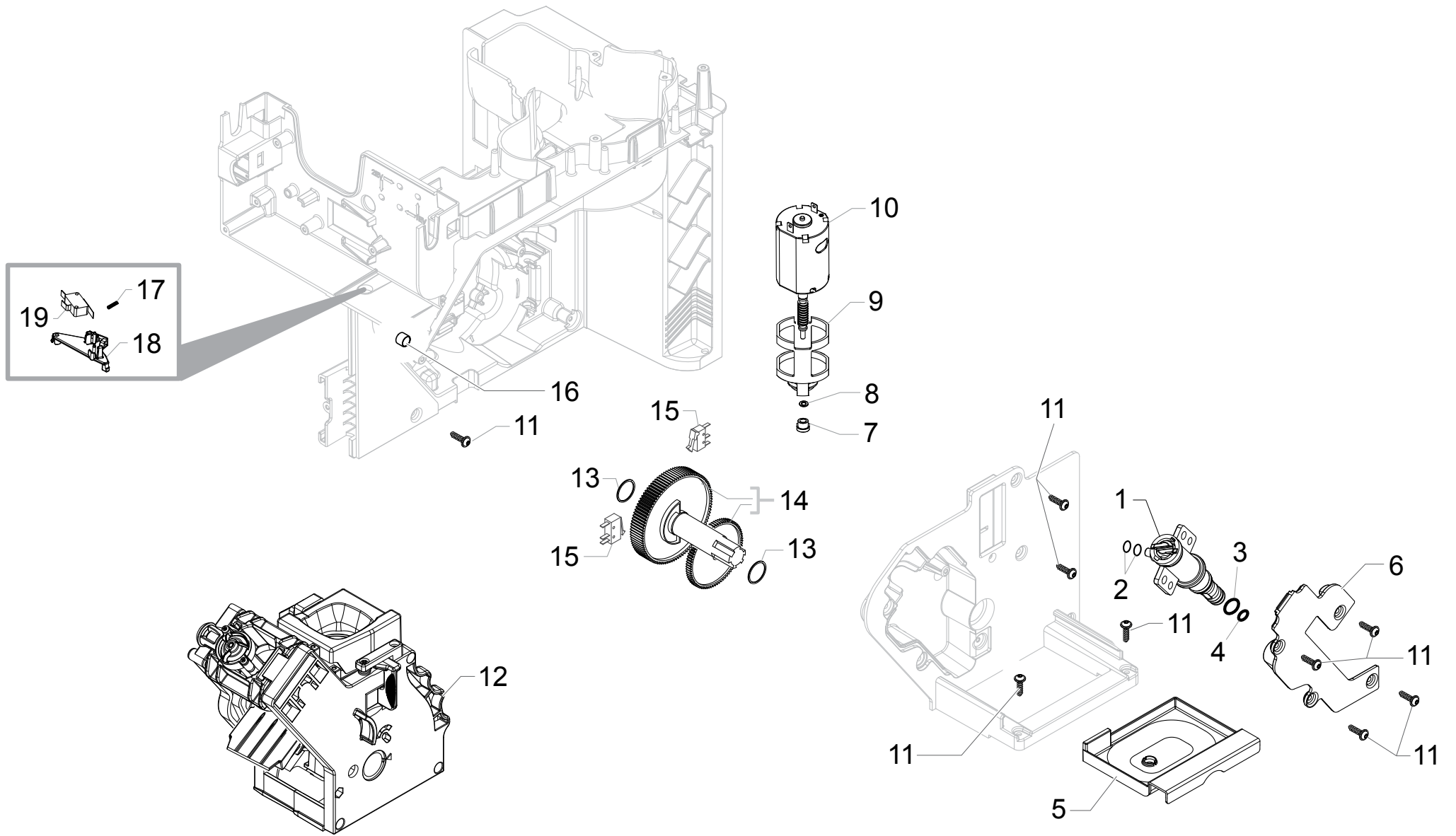


Cod.886876201010-886876203530-886876218150
 Cod.886876241240-886876242240-886876246540
 Cod.886876301010-886876341240-886876342240-886876346540

| POS | CODE | 12NC | DESCRIPTION | NOTE | POS | CODE | 12NC | DESCRIPTION | NOTE |
|-----|-----------|--------------|--|---------------|-----|--------------|------|--|----------|
| 01 | 11010031 | 996530005586 | TEA/ZAMA INCREASE SCREW GRINDER | | | | | | |
| 02 | 129574802 | 996530012928 | SCREW TCB TORX 20 M4X30 ZN-B | | | 421944054631 | | GEN.MOTOR COF.GRINDER V2 SMR/B 230V ASSY | COMPLETE |
| 03 | | 421944053581 | BLK COF.GRINDER UPPER GRINDER SUPPORT V3 | | | 421944010431 | | GEN.MOTOR COF.GRINDER SMR/H-P-T 120V ASS | COMPLETE |
| 04 | 140328960 | 996530013577 | OR ORM 0530-15 NBR FDA | | | | | ONLY 120-127V | |
| 05 | 146520100 | 996530016342 | BAKED CLAY GRINDER 48X28 | | | | | | |
| 06 | 11012466 | 996530006412 | BRASS BUSH BEAN CONT.FINGER PROTEC.P0057 | EXC. 120-127V | | | | | |
| 07 | 149198350 | 996530017952 | BLK LOWER COFFEEGRINDER GRINDER SUPPORT | | | | | | |
| 08 | 123030300 | 996530011183 | AXIAL BEARING EKKO 342.35252 | | | | | | |
| 09 | 140360500 | 996530013597 | FELT RING 45,4X39,4X4 | | | | | | |
| 10 | 128310402 | 996530012341 | GALV.WASHER UNI 8842 A4 | | | | | | |
| 11 | 11026355 | 996530068049 | BLK GROUND COFF.OUTLET CONVEYOR V4 ASSY. | | | | | | |
| 12 | 11030459 | 996530072511 | GRY GROUND COFFEE CONT.LOWER SEAL SMART1 | | | | | | |
| 13 | 226000300 | 996530029609 | GEAR SX Z=38 FOR GRINDER MOTION ASSY. | | | | | | |
| 14 | | 421944049151 | MOTOR COFFEEGRINDER V3.2 ASSY. | 230V | | | | | |
| | | 421941305001 | MOTOR COFFEEGRINDER V3.1 ASSY. | 120V | | | | | |
| | | | ONLY 120-127V | | | | | | |
| 15 | 149214800 | 996530018139 | MC V3 MOD=1,25 WORM SCREW CENTRING CAP | | | | | | |
| 16 | 129661702 | 996530012992 | SCREW TCB TORX 3,5X30 PLAST.ZN-B | | | | | | |
| 17 | 11002873 | 996530001389 | INSULATOR BUSH FOR GRINDER MOTOR P124 | | | | | | |
| 18 | 11000597 | 996530000376 | STEEL COF.GRINDER SUPPORT SPRING P124 | | | | | | |
| 19 | 17001008 | 996530073467 | TRANS.BEAN CONTAIN.FINGER PROTECT.SMR UL | EXC. 120-127V | | | | | |
| 20 | 128381902 | 996530012375 | STEEL FLAT WASHER DI=4,3 DE=14 SP=1,5 | | | | | | |
| 22 | 11000194 | 996530000115 | BLACK COFFEEGRINDER MOTOR SUPPORT P124 | | | | | | |
| 24 | 123030200 | 996530011182 | RADIAL BEARING 61900.2RS1 | | | | | | |
| 25 | 128381800 | 996530012374 | STEEL CRINKLE WASHER 21,8X14X0,25 | | | | | | |
| 26 | 142905450 | 996530015258 | BLK UPPER BODY WITH COFFEE GROUND OUTLET | | | | | | |
| 28 | 11002613 | 996530001314 | LOWER COFFEEGRINDER GEAR SUPPORT P124 | | | | | | |
| 29 | 11002572 | 996530001308 | COFFEEGRINDER REGULATION SPRING P124 | | | | | | |
| 30 | 11003784 | 996530001907 | COFFEE GRINDING ADJUSTMENT GEAR P0049 | | | | | | |
| 31 | U043.004 | 996530061808 | ZN-B TCB TORX 20 M4X16 ZN-B | EXC. 120-127V | | | | | |
| 32 | 11002508 | 996530001296 | UPPER COFFEEGRINDER GEAR SUPPORT P124 | | | | | | |
| 33 | 129914002 | 996530013165 | SCREW TCB TORX 10 3,5X16 PLAST.ZN-B | | | | | | |
| 34 | 17800688 | 996530073454 | 2POLES CONNET.COFFEEGRINDER MOTOR SMR UL | | | | | | |
| 35 | | 421944025161 | YLW BEAN COFFEE GRINDER INSERT SMR | | | | | | |
| 36 | 12001622 | 996530068586 | SCREW TCB TORX B 3,5X9,5 SCHEET NIK | | | | | | |
| 37 | | 421941085872 | COFFEE GRINDER SEAL P119 GRY 7035 | | | | | | |
| 38 | 145854360 | 996530015958 | BLK GROUND COFFEE CONT.UPPER SEAL SMART1 | | | | | | |



GAGGIA ANIMA OTC - EXT

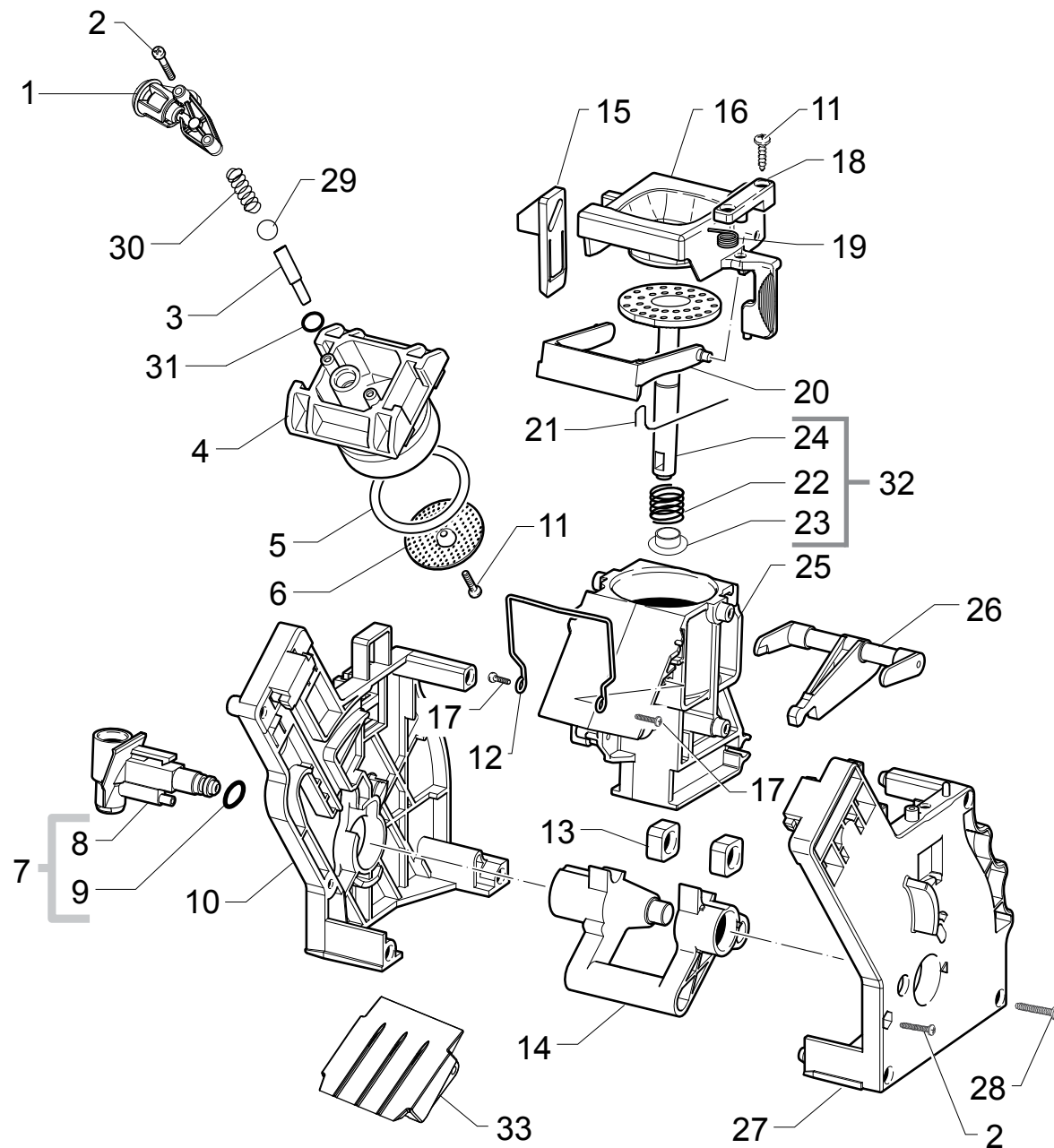


RI8762/01-03-18 (SUP043U)
 RI8762/41-42-46
 RI8763/01-41-42-46 (SUP043UE)



Cod.886876201010-886876203530-886876218150
 Cod.886876241240-886876242240-886876246540
 Cod.886876301010-886876341240-886876342240-886876346540

| POS | CODE | 12NC | DESCRIPTION | NOTE | POS | CODE | 12NC | DESCRIPTION | NOTE |
|-----|-----------|--------------|--|------|-----|------|------|-------------|------|
| 01 | | 421946011491 | BLK PIN FOR BOILER VALVE 4BAR ASSY. | | | | | | |
| 02 | 140328059 | 996530013564 | OR 2015 SILICONE PTFE/FDA | | | | | | |
| 03 | NM01.035 | 996530059399 | OR ORM 0090-20 SILICONE | | | | | | |
| 04 | NM01.057 | 996530059419 | OR ORM 0050-20 IN SILICONE | | | | | | |
| 05 | | 421944008911 | BLK BREW UNIT DRAWER COFFEE SMR | | | | | | |
| 06 | 17000730 | 996530074054 | BLACK BOILER SEAT PIN COVER SMR | | | | | | |
| 07 | 9121.046 | 996530049898 | BRONZE SINTERED BUSH FOR MOTOR RATIOMOT. | | | | | | |
| 08 | 148380200 | 996530017424 | BAKELIZZATE WASHER D=5,5 | | | | | | |
| 09 | 9121.044 | 996530049896 | ANTIVIBRATION FOR MOTOR | | | | | | |
| 10 | 11005214 | 996530002796 | MOTOR FOR RATIOMOTOR P124 ASSY. | | | | | | |
| 11 | 12001728 | 996530070321 | SCREW TCBR TORX 10 3,5X12 PLAST.SS | | | | | | |
| 12 | | 421944052401 | BLK BREW UNIT 8GR.5BAR SMR | | | | | | |
| 13 | 9161.132 | 996530050569 | MYLAR WASHER FOR RATIOMOTOR | | | | | | |
| 14 | 20000900 | 996530009913 | SPARES KIT GEARS FOR RATIOMOTOR V2 | | | | | | |
| 15 | 12001841 | 996530073474 | MICROSWITCH XC/SM1 | | | | | | |
| 16 | 9161.111 | 996530050555 | MAGNET FOR FLOAT SUPERAUT. | | | | | | |
| 17 | | 421944006861 | STEEL SPRING FOR MICRO COMPENSATOR SMR | | | | | | |
| 18 | 17001508 | 996530073469 | BLACK MICRO COMPENSATOR SMR | | | | | | |
| 19 | 12001890 | 996530073209 | MICROSWITCH XG/V3D | | | | | | |



Saeco
INTERNATIONAL GROUP

RI8762/01-03-18 (SUP043U)
RI8762/41-42-46
RI8763/01-41-42-46 (SUP043UE)



Cod.886876201010-886876203530-886876218150
Cod.886876241240-886876242240-886876246540
Cod.886876301010-886876341240-886876342240-886876346540

| POS | CODE | 12NC | DESCRIPTION | NOTE | POS | CODE | 12NC | DESCRIPTION | NOTE |
|-----|--------------|--------------|--|------|-----|------|------|-------------|------|
| 01 | 11009362 | 996530005415 | BLK COF.OUTLET SLEEVE BREW UNIT S0053 AS | | | | | | |
| 02 | 12000550 | 996530007838 | SCREW TCB TORX 10 3X25 PLAST.SS | | | | | | |
| 03 | 11009276 | 996530005372 | BLK COUNTER PISTON TUBE BREW UNIT S0053 | | | | | | |
| 04 | 11001840 | 996530001046 | BLACK COUNTER PISTON BREW UNIT 8GR.P124 | | | | | | |
| 05 | NM01.044 | 996530059406 | OR ORM 0320-40 SILICONE PTFE/FDA | | | | | | |
| 06 | 9161.268 | 996530050709 | PERCOLATOR DE=35,8 ELFO | | | | | | |
| 07 | 20000440 | 996530009825 | BLACK WATER INLET SLEEVE BREW UNIT ASSY. | | | | | | |
| 08 | 9161.064.050 | 996530050488 | BLACK WATER INLET SLEEVE BREW UNIT ROYAL | | | | | | |
| 09 | NM02.007 | 996530059441 | OR 2025 IN TERMOIL | | | | | | |
| 10 | 9161.375.050 | 996530050832 | BLACK BREW UNIT REAR PLATE SMART | | | | | | |
| 11 | 12000895 | 996530007951 | SCREW TSP TORX 10 3X10 PLAST.SS | | | | | | |
| 12 | 11001556 | 996530000898 | SS BREW UNIT SPRING H=49 SMART | | | | | | |
| 13 | 9161.094.050 | 996530050539 | BLACK BREW UNIT DRILLED BLOCK | | | | | | |
| 14 | | 421944051231 | YLW BREW UNIT ELBOW SHAFT M5000 | | | | | | |
| 15 | | 421944046931 | YLW BREW UNIT COUPLING PLATE V2 SMART | | | | | | |
| 16 | 149261350 | 996530018241 | BLACK HOPPER DOSER BREW UNIT SMART1 | | | | | | |
| 17 | 129912521 | 996530013148 | SCREW TCB TORX 10 3,5X14 PLAST.SS | | | | | | |
| 18 | | 421944050711 | YLW BREWUNIT HOPPER BLOCKING PLATE SMART | | | | | | |
| 19 | 9161.378 | 996530050838 | SS HOPPER SPRING FOR BREW UNIT SMART | | | | | | |
| 20 | 11004161 | 996530002096 | BLACK SCRAPER FOR BREW UNIT M5000 | | | | | | |
| 21 | 9161.046 | 996530050455 | SS SCRAPER SPRING FOR BREW UNIT | | | | | | |
| 22 | 9161.198 | 996530050627 | SS.8GR.BREW UNIT PISTON SPRING | | | | | | |
| 23 | 9161.191 | 996530050618 | WHITE 8GR.-12GR.BREW UNIT PISTON BUSH | | | | | | |
| 24 | | 421944025621 | BLK BREW UNIT INTEGR.PISTON 8GR.V3 ASSY. | | | | | | |
| 25 | | 421944014611 | AS.CONT.CAF.C/BOC.SALD.GRUP.V2 M5000 NER | | | | | | |
| 26 | 11003078 | 996530001452 | BLACK CONNECTING ROD BREW UNIT 8GR. | | | | | | |
| 27 | 11005920 | 996530003228 | BLACK BREW UNIT FRONT PLATE S/SCR.SMART | | | | | | |
| 28 | 12000897 | 996530007953 | SCREW TCB TORX 10 3,5X20 PLAST.SS | | | | | | |
| 29 | | 421944034451 | BOROSILICATE SPHERE D.5 MM | | | | | | |
| 30 | 11012095 | 996530006305 | SS COFFEE UNIT CONTERPISTON SPRING S0053 | | | | | | |
| 31 | 140328761 | 996530013575 | OR ORM 0060-15 TERMOIL | | | | | | |
| 32 | | 421944029791 | BLK BREW UNIT 8GR.INT.PISTON GEN.V3 ASSY | | | | | | |
| 33 | 17000737 | 996530073426 | BLACK BREW UNIT CONVEYOR SLIDE L=56,3 | | | | | | |
| | | 421944052401 | BLK BREW UNIT 8GR.5BAR SMR | | | | | | |

Saeco
INTERNATIONAL GROUP

GAGGIA ANIMA OTC - EXT

TABLE 8/8