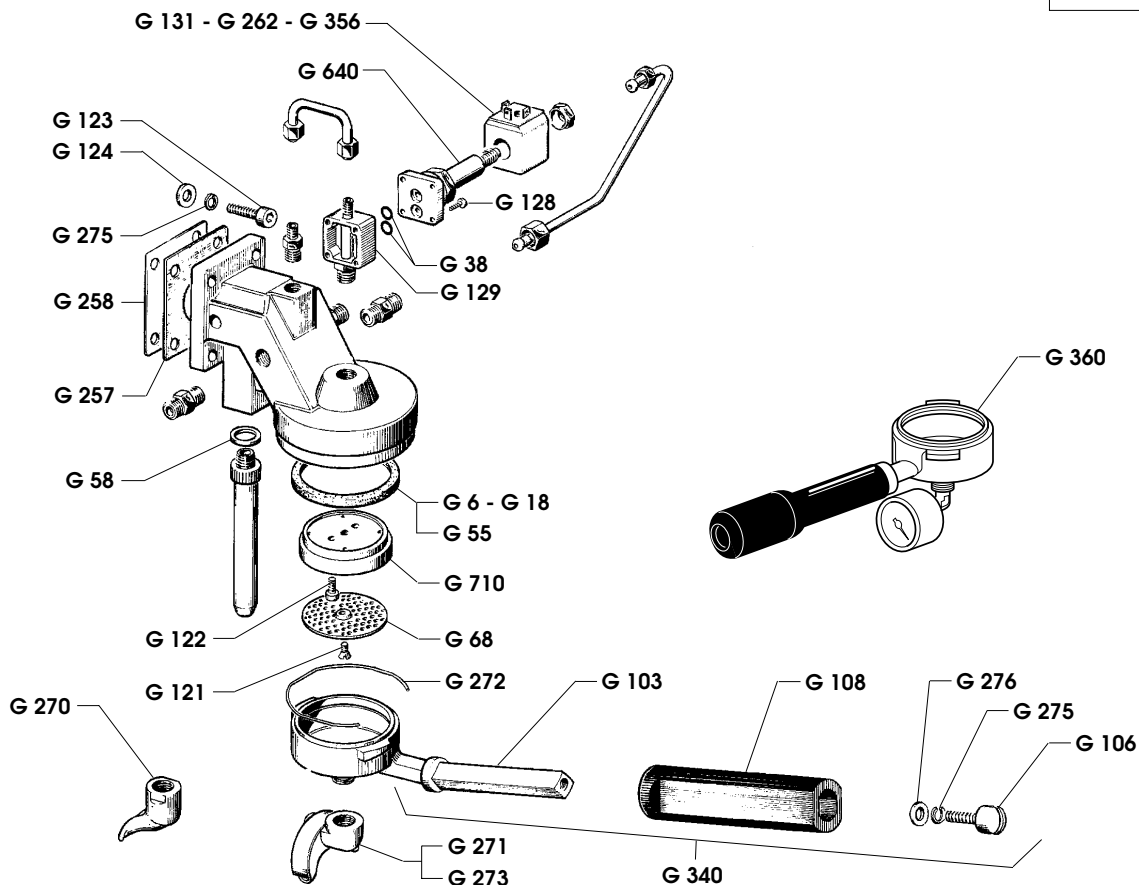


## GRUPPO ELETTROVALVOLA - PORTAFILTRO

TAV. 001

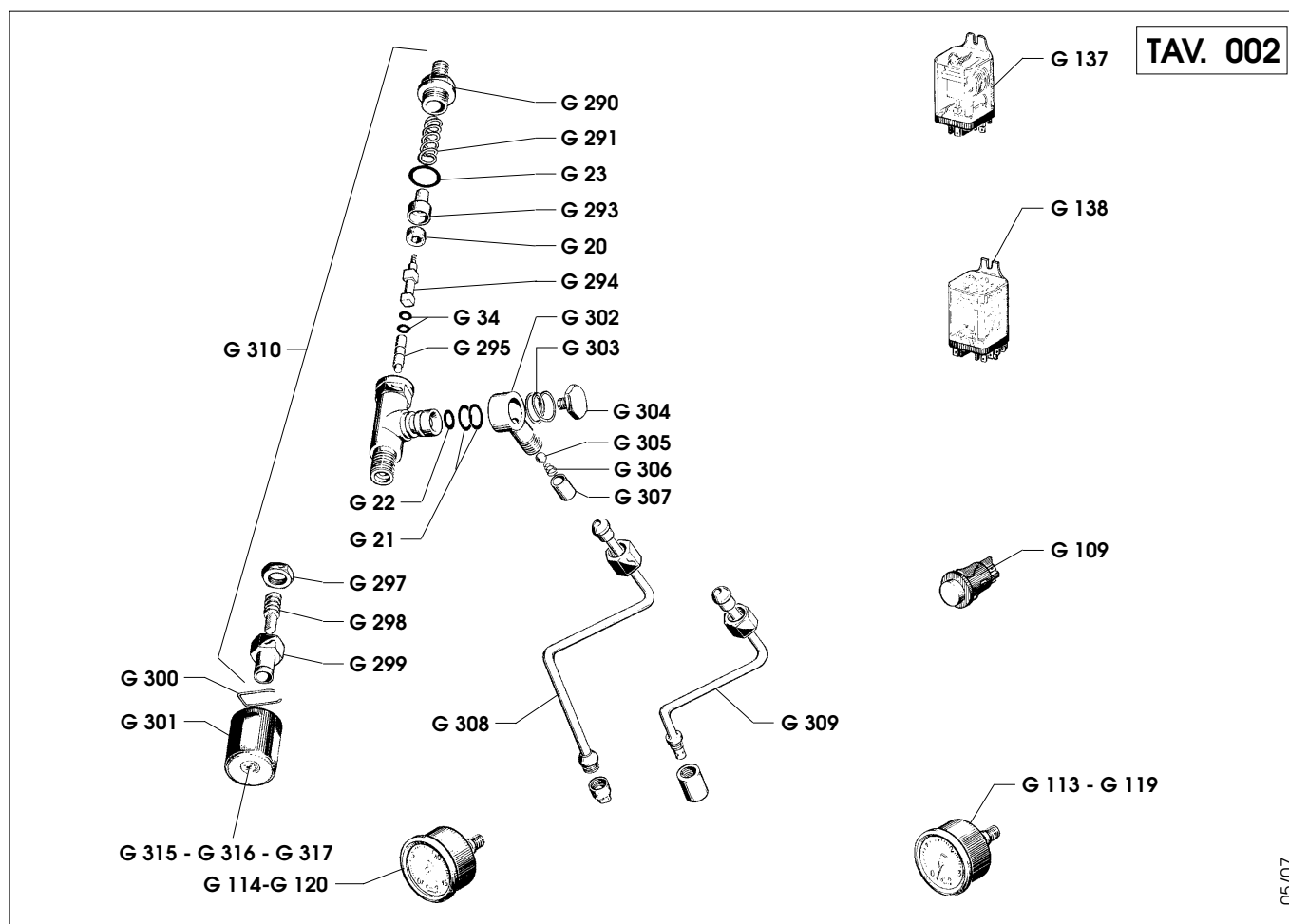


10/03

CODICE CODES	DENOMINAZIONE	DENOMINATION	CODICE CODES	DENOMINAZIONE	DENOMINATION
G/6	Guarniz. porta filtro mm. 9	9mm. portafilter gasket	G/276	Benzing per manopola	Handle benzing
G/18	Guarniz. Tell mm. 8,5	8.5mm. portafilter gasket	G/340	Portafiltro con manopola	Complete portafilter
G/38	OR per elettrovalvola	Solenoid valve O-ring	G/360	Portafiltro prova pressione	Pressure test portafilter
G/55	Spessore portafiltro	Portafilter gasket shim	G/356	Bobina Parker V 110	Parker coil 110 V
G/58	Guarnizione rame	Gasket	G/640	Corpo elettrovalvola Parker	Parker solenoid valve body
G/68	Doccia a rete	Shower screen with screen net	G/710	Blocchetto porta doccia	Shower screen holder plate
G/103	Portafiltro cromato	Portafilter			
G/106	Vite fissaggio manopola	Grip fixing screw			
G/108	Manopola porta filtro U.T.	U.T. Portafilter knob			
G/121	Vite inox per doccia	SS screw for shower screen			
G/122	Vite inox per porta doccia	SS screw for shower screen holder			
G/123	Vite brugola	Group fixing allen screw			
G/124	Rondella per brugola	Washer for allen screw			
G/128	Vite fissaggio elettrov.	Fixing screw for solenoid valve			
G/129	Piastra porta elettrov.	Plate for solenoid valve			
G/131	Bobina Parker V 230	Parker coil 230V			
G/257	Guarniz. attacco gr. U.T. quadra	Group connection square gasket			
G/258	Flangia attacco gr. rame	"Ele" group copper flange			
G/262	Bobina Parker V 24	Parker coil 24 V			
G/270	Beccuccio a 1 via	1-way spout			
G/271	Beccuccio a 2 vie	2-way spout			
G/272	Molla ferma filtro	Filter stop spring			
G/273	Beccuccio 2 vie con divisore	2-way spout with divider			
G/275	Rondella vite manopola	Handle screw washer			



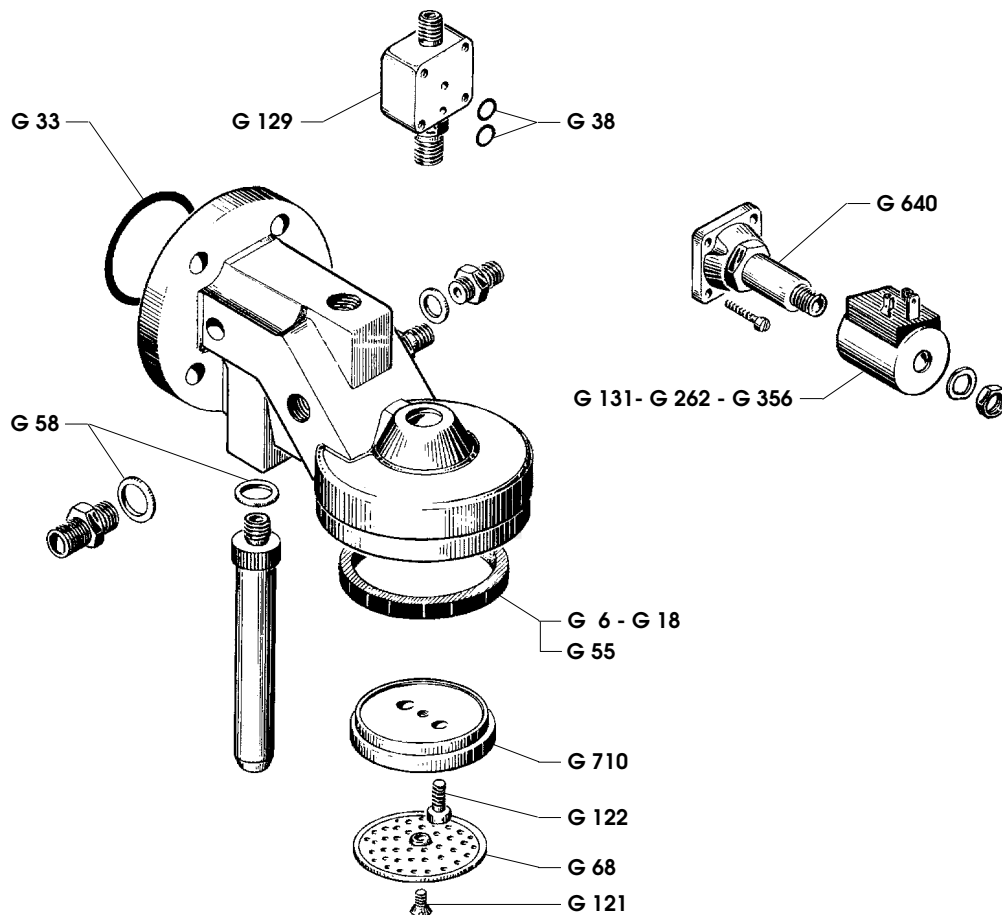
## RUBINETTI - RELÈ - MANOMETRI



CODICE CODES	DENOMINAZIONE	DENOMINATION	CODICE CODES	DENOMINAZIONE	DENOMINATION
G/20	Guarnizione vapore	∅ 15x6x6 steam gasket	G/304	Tappo per snodo	Cap for art. joint
G/21	OR rubinetto vapore acqua	Steam/water valve big O-ring	G/305	Sfera	Ball for steam pipe
G/22	OR rub. vapore acqua al silic.	Steam/water valve small O-ring	G/306	Molla premisfera	Ball stop spring
G/23	OR rub. vapore e acqua	Steam/water valve O-ring	G/307	Bussola	Bushing
G/34	OR asta rubinetto	Valve Stem 102 O-ring	G/308	Tubo vapore	"Ele" steam pipe
G/109	Pulsante per elettrov.	Solenoid valve switch	G/309	Tubo acqua	"Ele" water pipe
G/113	Manometro atm. 3 mod. Ele	3 atm. pressure gauge "Ele"	G/310	Assieme rubinetto ELE	"Ele" valve assembly
G/114	Manometro atm. 15 mod. Ele	15 atm. pressure gauge "Ele"	G/315	Adesivo vapore	Steam symbol
G/119	Manometro atm. 3 Ele inox	3 atm. pressure gauge "Ele" SS	G/316	Adesivo acqua	Water symbol
G/120	Manometro atm. 15 Ele inox	15 atm. pressure gauge "Ele" SS	G/317	Adesivo scaldatazze	Cup heater symbol
G/137	Relè V 24	"Ele" 24V relay			
G/138	Relè V 230	"Ele" 230V relay			
G/290	Raccordo rubinetto Ele	"Grimac" connector			
G/291	Molla porta guarnizione	"Ele" valve spring			
G/293	Portaguarnizione	Gasket holder			
G/294	Asta otturatore	Shutter stem			
G/295	Asta rubinetto	Valve stem			
G/297	Dado 3/8"	3/8" nut			
G/298	Asta filettata mod. Ele	Thread bar for "Ele" handle			
G/299	Ghiera mod. Ele	Ring nut for "Ele" valve			
G/300	Molla rett. per volantino	Square spring for knob			
G/301	Volantino mod. Ele	Water/steam knob for "Ele"			
G/302	Snodo per rubinetto	Art. joint for valve			
G/303	Molla snodo	Spring for art. joint			

## GRUPPO ELETTROVALVOLA

TAV. 003



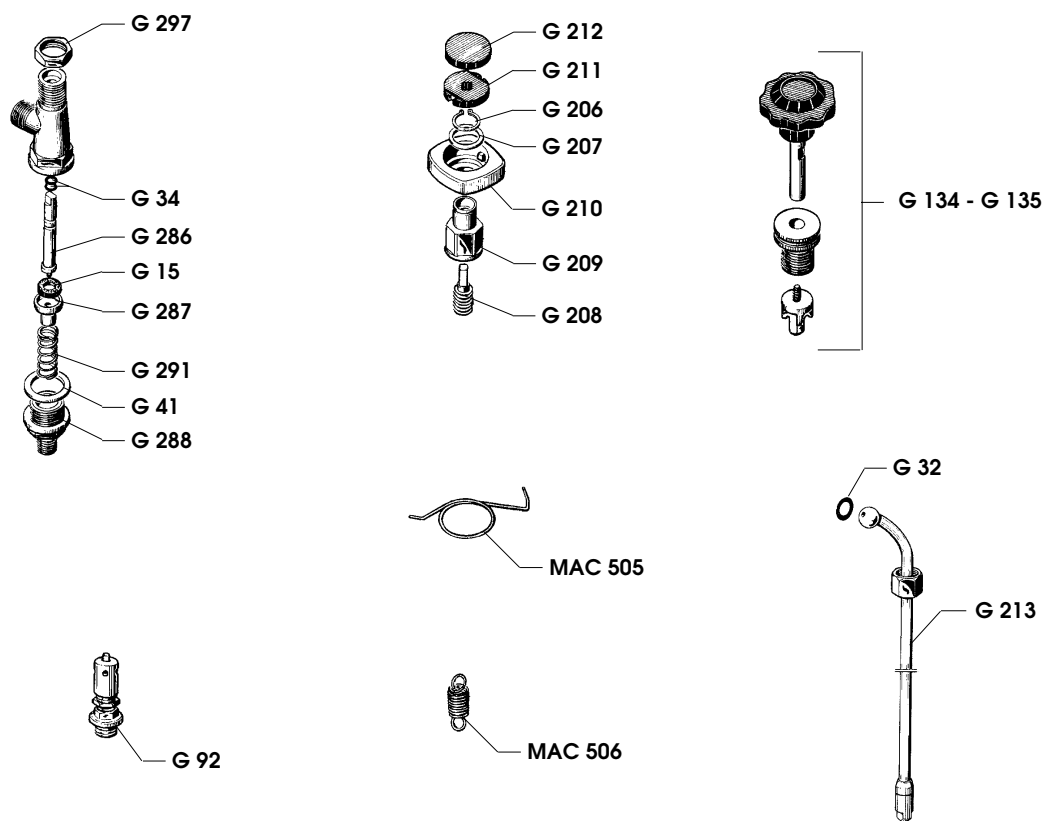
01/98

CODICE CODES	DENOMINAZIONE	DENOMINATION	CODICE CODES	DENOMINAZIONE	DENOMINATION
G/6	Guarniz. porta filtro mm. 9	9mm. portafilter gasket			
G/18	Guarniz. porta filtro Tell	8.5mm portafilter gasket			
G/33	OR 150 flangia gr. Tell	Gr. flange 150 O-ring "Tell"			
G/38	OR per elettrovalvola	Solenoid valve O-ring			
G/55	Spessore portafiltro	Portafilter gasket shim			
G/58	Guarnizione rame	Gasket			
G/68	Doccia con rete	Shower screen with screen net			
G/121	Vite inox per doccia	SS screw for shower screen			
G/122	Vite inox porta doccia	SS screw for shower screen holder			
G/129	Piastra porta elettrov.	Plate for solenoid valve			
G/131	Bobina Parker V 230	Parker coil 230V			
G/262	Bobina Parker V 24	Parker coil 24V			
G/356	Bobina Parker V 110/60Hz	Parker coil 110V/60Hz			
G/640	Corpo elettrovalvola Parker	Parker solenoid valve body			
G/710	Bloccetto porta doccia	Shower screen holder plate			

G

## FRESE - RUBINETTI

TAV. 004

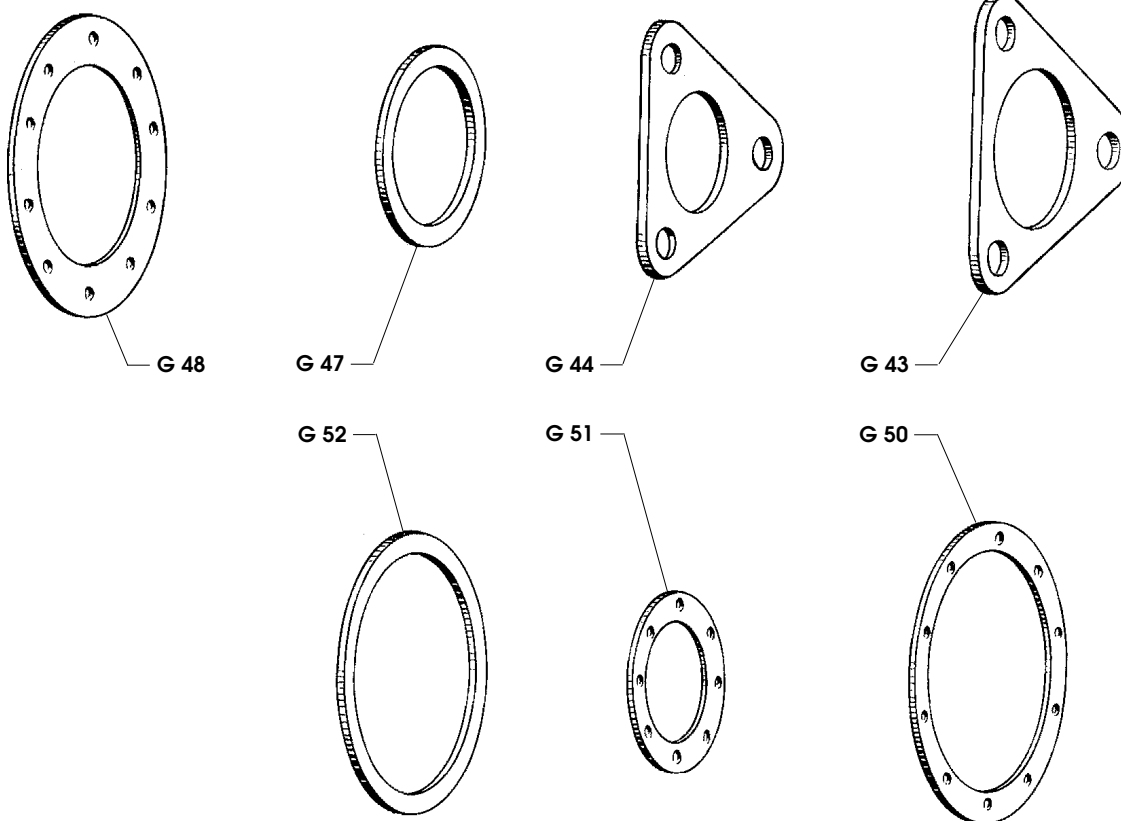


01/98

CODICE CODES	DENOMINAZIONE	DENOMINATION	CODICE CODES	DENOMINAZIONE	DENOMINATION
G/15	Guarnizione $\varnothing$ 15x6x3	$\varnothing$ 15x6x3 steam gasket			
G/32	OR 113 snodo rubinetto	113 O-ring valve			
G/34	OR 102 asta rubinetto	Valve stem 102 O-ring			
G/41	Guarnizione	Water/steam gasket			
G/92	Valvola per caldaia	Valve for boiler			
G/134	Fresa per rubinetto P.T.	Lever machine steam valve cutter			
G/135	Fresa per rubinetto U.T.	Steam valve cutter			
G/206	Benzing per volantino	Valve knob benzing			
G/207	Rondella per volantino	Valve knob washer			
G/208	Asta filettata per volantino	Thread rod for knob			
G/209	Ghiera per rubinetto	Valve ring nut			
G/210	Manopola rubinetto	Steam/water valve grip			
G/211	Ghiera manopola	Ring nut for grip			
G/212	Tappo manopola	Cap for grip			
G/213	Tubo vap. snodato U.T.	"Tell" art. steam pipe			
G/286	Asta rubinetto	"Ele" valve stem			
G/287	Portaguarnizione	"Ele" gasket holder			
G/288	Raccordo filetto originale	"Ele" valve body connector			
G/291	Molla rubinetto Tell	"Ele" valve spring			
G/297	Controdado 3/8"	3/8" nut			
MAC/505	Molla dos. grande (aristarco)	Big Gaggia meter spring			
MAC/506	Molla dos. piccolo (aristarco)	Little Gaggia meter spring			

## GUARNIZIONI

TAV. 005



01/98

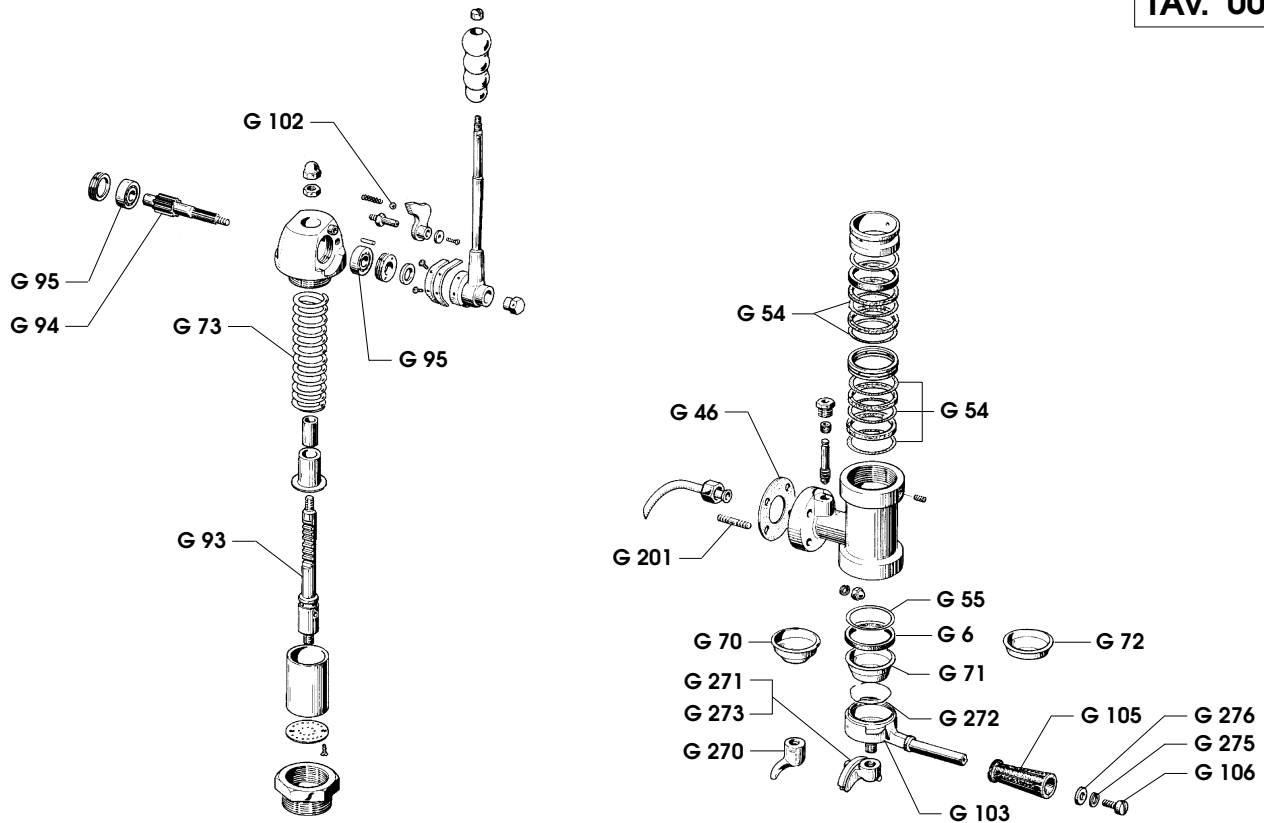
CODICE CODES	DENOMINAZIONE	DENOMINATION	CODICE CODES	DENOMINAZIONE	DENOMINATION
G/43	Guarniz. resist. grande	Big heating element gasket			
G/44	Guarniz. resist. piccola	Small heating element gasket			
G/47	Guarniz. resist. tonda Teflon	Teflon heating element gasket			
G/48	Guarniz. flangia caldaia t.a.	T.a. boiler flange gasket			
G/50	Guarniz. caldaia 10 fori "Tell"	"Tell" 10 hole boiler gasket			
G/51	Guarniz. flangia caldaietta	Small boiler flange gasket			
G/52	Guarniz. caldaietta Teflon "Tell"	"Tell" teflon small boiler gasket			



# Macchina tipo GAGGIA A LEVA

## GRUPPO A LEVA

TAV. 006

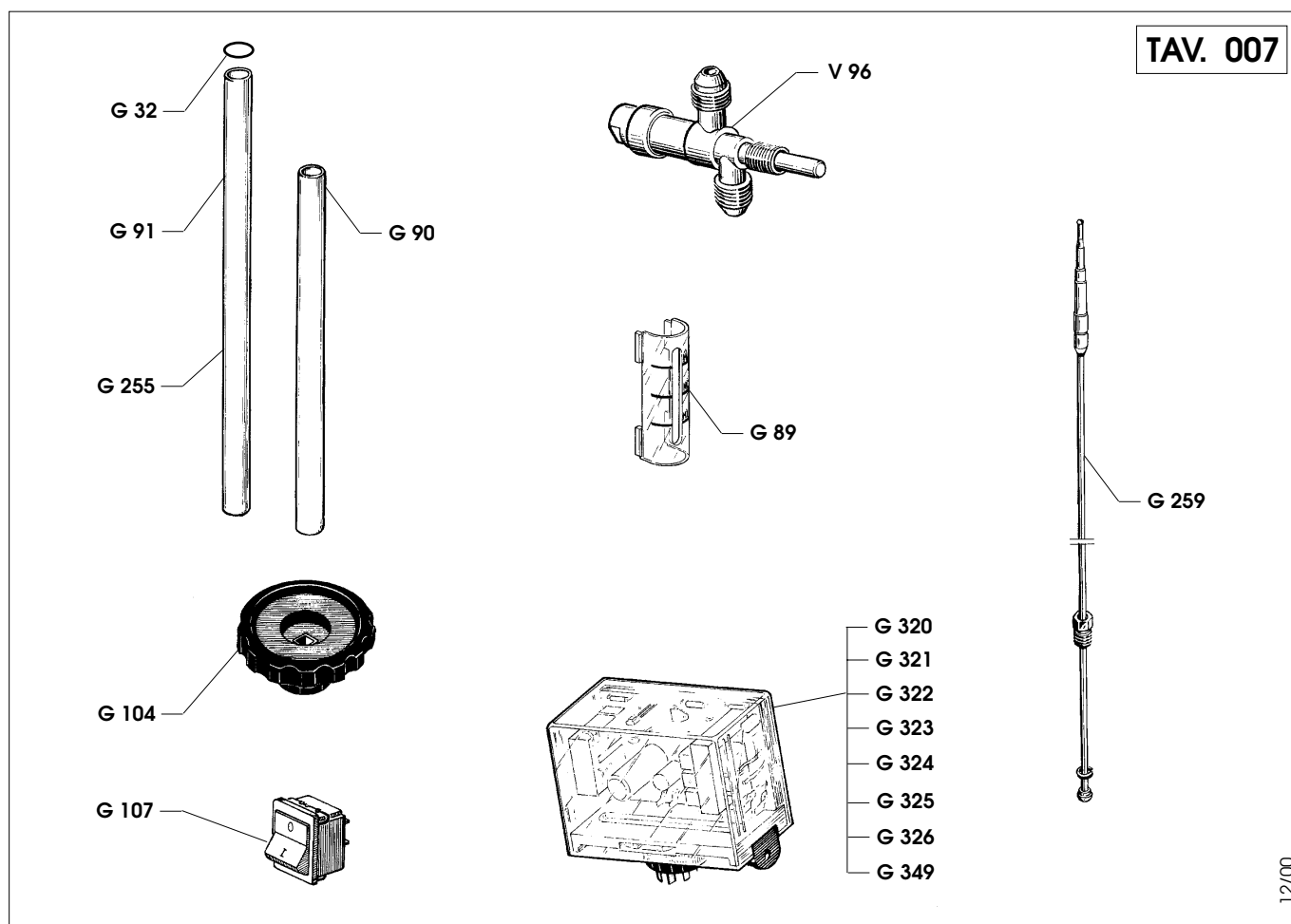


12/00

CODICE CODES	DENOMINAZIONE	DENOMINATION	CODICE CODES	DENOMINAZIONE	DENOMINATION
G/6	Guarniz. porta filtro mm. 9	9mm. portafilter gasket			
G/46	Guarniz. flangia gr. 4 fori	4 hole group flange gasket			
G/54	Spessore per pistone	Piston shim			
G/55	Spessore per guarniz.	Portafilter gasket shim			
G/70	Filtro 1 tazza 7 gr.	1-cup filter with edge, 7 g.			
G/71	Filtro 2 tazze 14 gr.	2-cup filter with edge, 14 g.			
G/72	Filtro cieco	Blind filter			
G/73	Molla gruppo	Group lever spring			
G/93	Cremagliera con snodo	Rack with articulated joint			
G/94	Perno dentato	Toothed peg			
G/95	Cuscinetto macchina a leva	Lever machine bearing			
G/102	Sfera per cricchetto	Ball for lifter			
G/103	Portafiltro cromato	Portafilter			
G/105	Manopola porta filtro	Portafilter group			
G/106	Vite fiss. manopola	Grip fixing screw			
G/201	Prigioniero gr. 8x34	8x34 flange stud bolt			
G/270	Beccuccio a 1 via	1-way spout			
G/271	Beccuccio a 2 vie	2-way spout			
G/272	Molla ferma filtro	Filter stop spring			
G/273	Beccuccio 2 vie con divisore	2-way spout with divider			
G/275	Rondella vite manopola	Handle screw washer			
G/276	Benzing per manopola	Handle benzing			

## AUTOLIVELLO-TERMOCOPPIE-INTERRUTTORI

TAV. 007



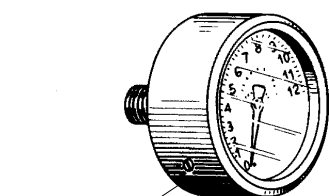
12/00

CODICE CODES	DENOMINAZIONE	DENOMINATION	CODICE CODES	DENOMINAZIONE	DENOMINATION
<b>G/32</b>	OR per vetro livello	113 O-ring valve			
<b>G/89</b>	Copri livello in plastica	Plastic level cover for "Ele"			
<b>G/90</b>	Vetro livello Tell	"Tell" level glass			
<b>G/91</b>	Vetro livello T.D.S.	Level glass T.D.S.			
<b>G/104</b>	Volantino	Vapor knob			
<b>G/107</b>	Interruttore a scatto Tell	"Tell" machine snap switch			
<b>G/255</b>	Vetro livello U.T. Ele	"Ele" level glass			
<b>G/259</b>	Termoc. automatico gas	Automatic gas system thermocouple			
<b>G/320</b>	RL401 E V 230 (11) DM 643	RL401 E 230V (11) DM643			
<b>G/321</b>	RL401 E V 110 (11) DM 643/1	RL401 E 110V (11) DM643/1			
<b>G/322</b>	RL401 E V 24 (11) DM 643/2	RL401 E 24V (11) DM643/2			
<b>G/323</b>	RL40 GR V 230 (8) DM 644	RL401 E 230V (8) DM644			
<b>G/325</b>	RL60 1 DT V 230 11 perini	RL60-1 DT (11) 230V			
<b>G/326</b>	RL60 1 DT V 24 11 perini	RL60-1 DT (11) 24V			
<b>G/349</b>	RL30 1 E 2 C V 230 11 perini	RL30 1E 2C 230V. (11)			
<b>V/96</b>	Rubinetto termocoppia gas attacco 3/8"	3/8 gas fitting thermocouple valve			

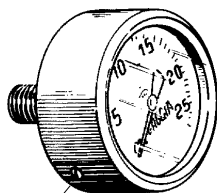


## MANOMETRI

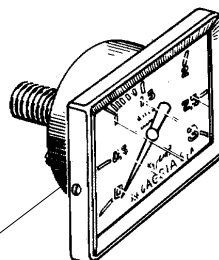
TAV. 008



G 113



G 114



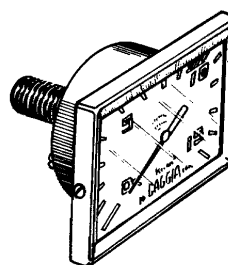
G 117



G 119



G 120



G 118

G 362



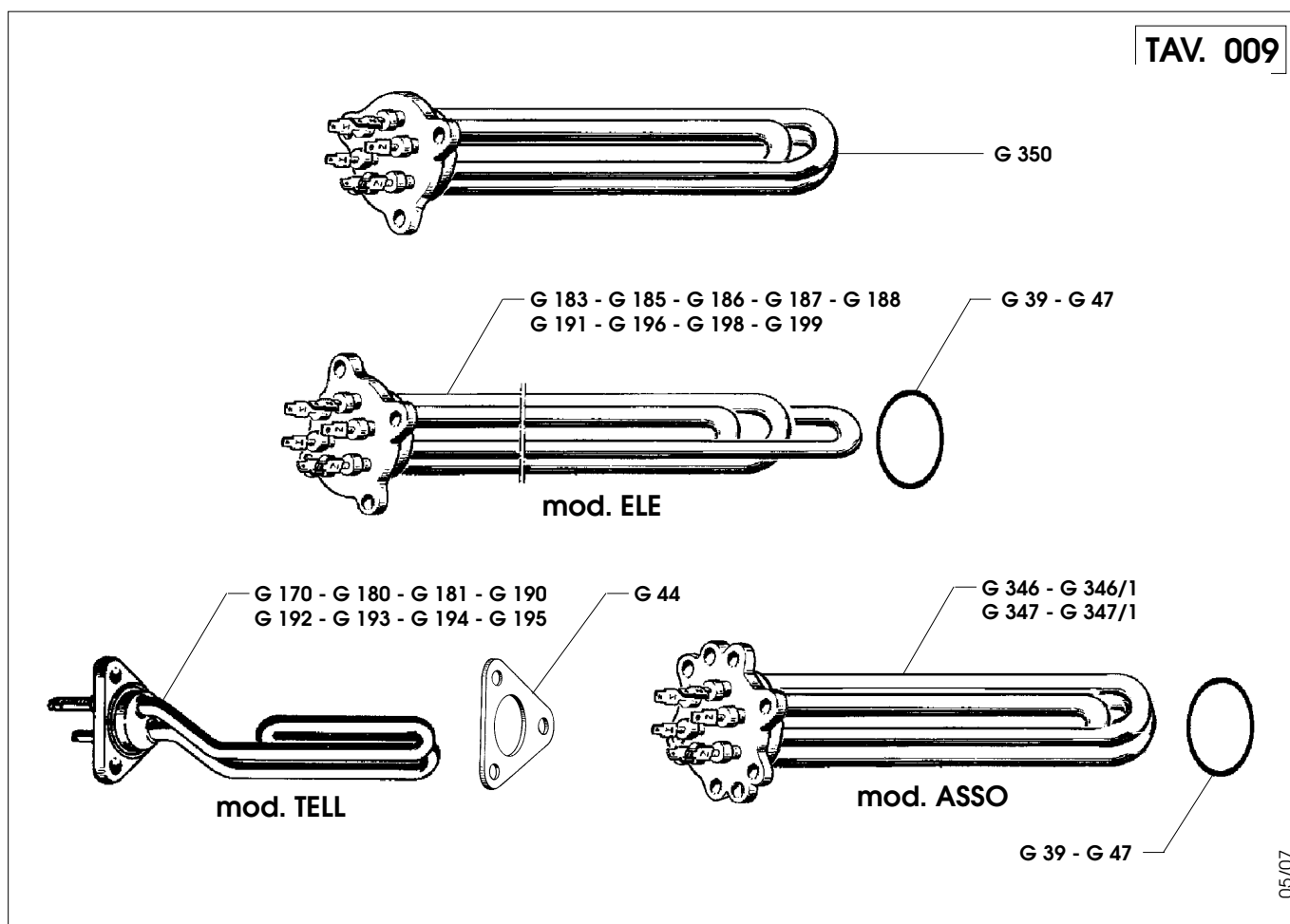
12/00

CODICE CODES	DENOMINAZIONE	DENOMINATION	CODICE CODES	DENOMINAZIONE	DENOMINATION
G/113	Manometro atm. 3 "Ele"	3 Atm. pressure gauge "Ele"			
G/114	Manometro atm. 15 "Ele"	15 Atm. pressure gauge "Ele"			
G/117	Manometro rett. atm. 3	3 Atm. rect. pressure gauge			
G/118	Manometro rett. atm. 15	15 Atm. rect. pressure gauge			
G/119	Manometro atm. 3 "Ele" 80-D90-E90	3 Atm. pressure gauge "Ele" SS 80-D90-E90			
G/120	Manometro atm. 15 "Ele" 80-D90-E90	15 Atm. pressure gauge "Ele" SS 80-D90-E90			
G/362	Pulsantiera 5 tasti	5 - key push-button panel			



## RESISTENZE

TAV. 009



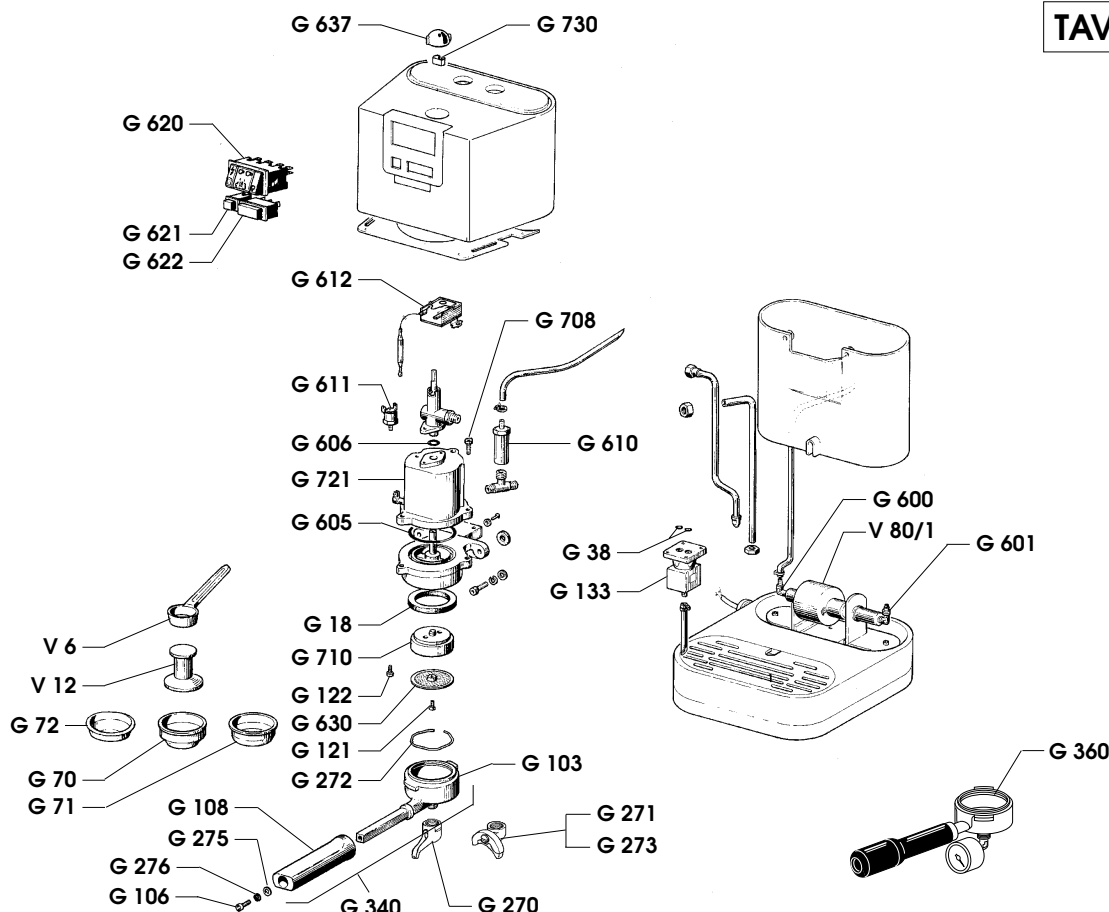
05/07

CODICE CODES	DENOMINAZIONE	DENOMINATION	CODICE CODES	DENOMINAZIONE	DENOMINATION
<b>G/39</b>	OR per resistenza U.T.	Heating element O-ring	<b>G/198</b>	Resist. 3 gr. "Ele" 7000 W 240 V	"Ele" 3 gr. heat. elem. 7000W 240V
<b>G/44</b>	Guarnizione resistenza	Heating element gasket	<b>G/199</b>	Resist. 4 gr. "Ele" 8000 W 240 V	"Ele" 4 gr. heat. elem. 8000W 240V
<b>G/47</b>	Guarniz. per resist. "Ele" U.T.	"Ele" heat. element gasket	<b>G/346</b>	Resistenza 1500 W "Asso" 230 V	Heating element 1500W 230V "Asso"
<b>G/170</b>	Resistenza mod. "Tell" gr. 1 750 W 230 V	"Tell" mod. 1 gr. heating element 750W 230V	<b>G/346/1</b>	Resistenza 1500 W "Asso" 110 V	Heating element 1500W 110V "Asso"
<b>G/180</b>	Resistenza mod. "Tell" gr. 2 2000 W 230 V	"Tell" mod. 2 gr. heating element 2000W 230V	<b>G/347</b>	Resistenza 2000 W "Asso" 230 V	Heating element 2000W 230V "Asso"
<b>G/181</b>	Resist. 2 gr. 2000 W 380 V	2 gr. heat. elem. 2000W 380V	<b>G/347/1</b>	Resistenza 2000 W "Asso" 110 V	Heating element 2000W 110V "Asso"
<b>G/183</b>	Resist. 1 gr. "Ele" 1300W 110/60 V	1 gr. heat. elem. 1300W 110V/60Hz	<b>G/350</b>	Resistenza TE/TD 2500 W 230 V	Heating element TE/TD 2500W 230V
<b>G/185</b>	Resistenza 1 gr. 6 poli "Ele" 2000 W 230/380 V	"Ele" 1 gr. 6 poles heat. elem. 2000W 230/380V			
<b>G/186</b>	Resistenza 2 gr. 6 poli "Ele" 4000 W 230/380 V	"Ele" 2 gr. 6 poles heat. elem. 4000W 230/380V			
<b>G/187</b>	Resistenza 3 gr. 6 poli "Ele" 5000 W 230/380 V	"Ele" 3 gr. 6 poles heat. elem. 5000W 230/380V			
<b>G/188</b>	Resistenza 4 gr. 6 poli "Ele" 6000 W 230/380 V	"Ele" 4 gr. 6 poles heat. elem. 6000W 230/380V			
<b>G/190</b>	Resist. 3 gr. "Tell" 3500 W 240 V	"Tell" 3 gr. heat. elem. 3500W			
<b>G/191</b>	Resist. 2 gr. 6 poli "Ele" 4000 W 110 V	"Ele" 2 gr. 6 poles heat. elem. 4000W			
<b>G/192</b>	Resist. 2 gr. "Tell" 1250 W 110 V	"Tell" 2 gr. heat. elem. 1250W 110V			
<b>G/193</b>	Resist. 3 gr. "Tell" 1750 W 110 V	"Tell" 3 gr. heat. elem. 1750W 110V			
<b>G/194</b>	Resist. 2 gr. "Tell" 3000 W 240 V	"Tell" 2 gr. heat. elem. 3000W 240V			
<b>G/195</b>	Resist. 4 gr. "Tell" 4000 W 240 V	"Tell" 4 gr. heat. elem. 4000W 240V			
<b>G/196</b>	Resist. 1 gr. "Ele" 2000 W 240 V	1 gr. heat. elem. 2000W 240V			



# Macchina tipo BABY GAGGIA PRIMO MOD.

TAV. 010

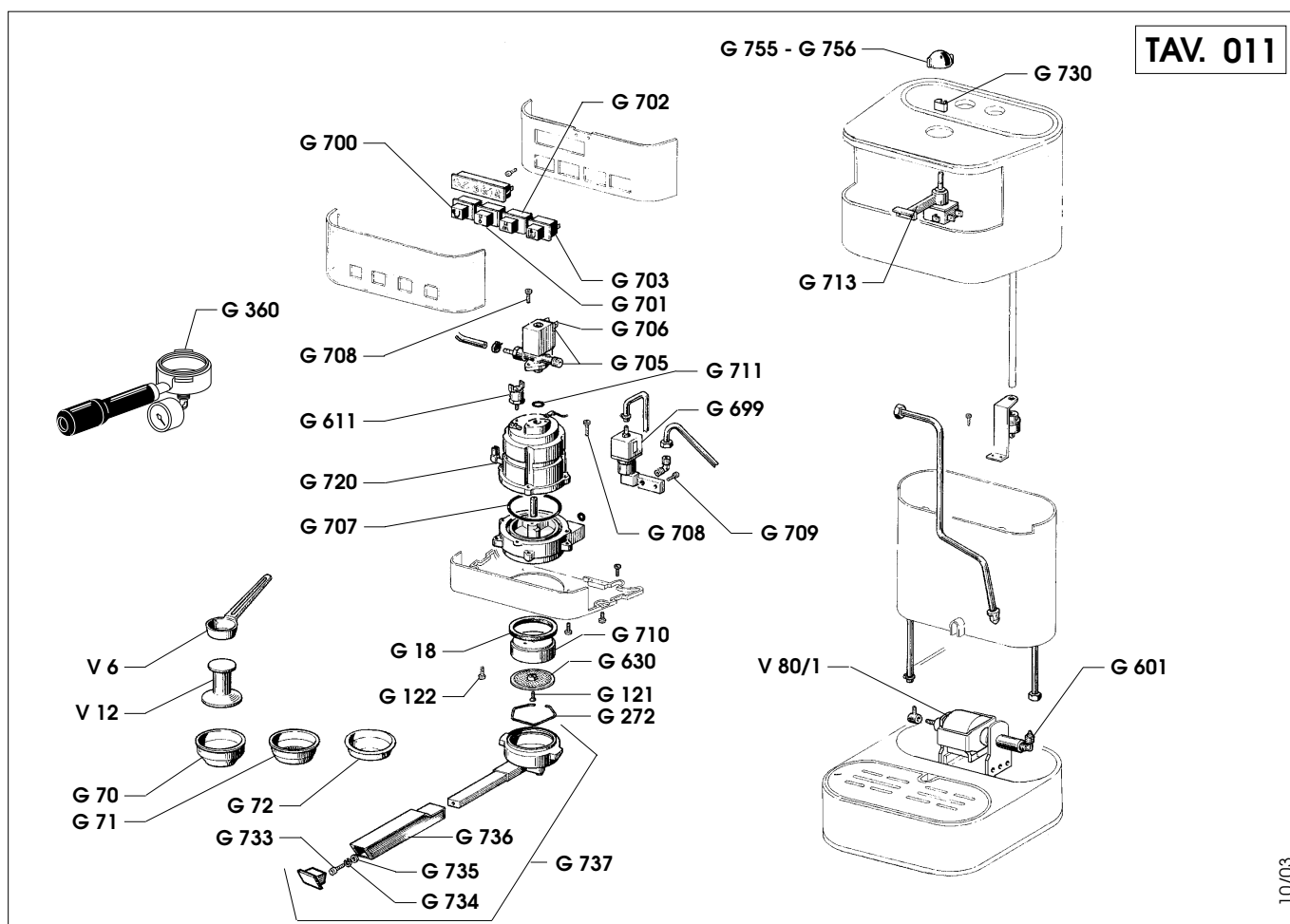


05/07

CODICE CODES	DENOMINAZIONE	DENOMINATION	CODICE CODES	DENOMINAZIONE	DENOMINATION
<b>G/18</b>	Guarniz. porta filtro mm. 8,5	8.5mm. portafilter gasket	<b>G/610</b>	Valvola di superpressione	Over-pressure valve
<b>G/38</b>	OR	Solenoid valve O-ring	<b>G/611</b>	Termostato vapore	Steam thermostat
<b>G/70</b>	Filtro 1 tazza 7 grammi	1-cup filter with edge, 7 g.	<b>G/612</b>	Termostato con sonda	Coffee pressure switch with probe
<b>G/71</b>	Filtro 2 tazze 14 grammi	2-cup filter with edge, 14 g.	<b>G/620</b>	Interruttore 10 A V 230	230V switch panel
<b>G/72</b>	Filtro cieco	Blind filter	<b>G/621</b>	Spia luminosa gialla V 230	230V yellow pilot lamp
<b>G/103</b>	Portafiltro	Portafilter	<b>G/622</b>	Spia luminosa rossa V 230	230V red pilot lamp
<b>G/106</b>	Vite	Grip fixing screw	<b>G/630</b>	Doccia	Group body
<b>G/108</b>	Manopola porta filtro	SS screw for shower screen holder	<b>G/637</b>	Volantino vapore	Steam knob
<b>G/121</b>	Vite inox	SS screw for shower screen	<b>G/708</b>	Brugola	Steam valve boiler screw
<b>G/122</b>	Vite inox	SS screw for shower screen holder	<b>G/710</b>	Blocchetto porta doccia	Shower screen holder plate
<b>G/130</b>	Gommino scottadito		<b>G/721</b>	Caldaietta 230 V	"Baby" boiler 230V
<b>G/133</b>	Elettrovalvola V 230	Compl. solen. valve for "Baby" Gaggia	<b>G/730</b>	Molla volantino	"Baby" knob spring
<b>G/270</b>	Beccuccio a 1 via curvato	1-way bent spout	<b>V/6</b>	Dosatore in acciaio	Metal measuring spoon
<b>G/271</b>	Beccuccio 2 vie	2-way spout	<b>V/12</b>	Pressino in plastica	Bakelite coffee pressure
<b>G/272</b>	Molla	Filter stop spring	<b>V/80/1</b>	Pompa a membrana 68 W 230 V	Diaphragm pump 68W 230V
<b>G/273</b>	Beccuccio 2 vie con divisore	2-way spout with divider			
<b>G/275</b>	Rondella spaccata	Handle screw washer			
<b>G/276</b>	Rondella	Handle benzing			
<b>G/340</b>	Portafiltro completo 1° mod.	1 <sup>st</sup> mod. complete portafilter			
<b>G/360</b>	Portafiltro prova pressione	Pressure test portafilter			
<b>G/600</b>	Portagomma a gomito	Elbow rubber holder			
<b>G/601</b>	Raccordo a gomito	Elbow fitting			
<b>G/605</b>	OR 156	156 O-ring			
<b>G/606</b>	OR 119	119 O-ring			

# Macchina tipo NUOVA BABY GAGGIA

TAV. 011



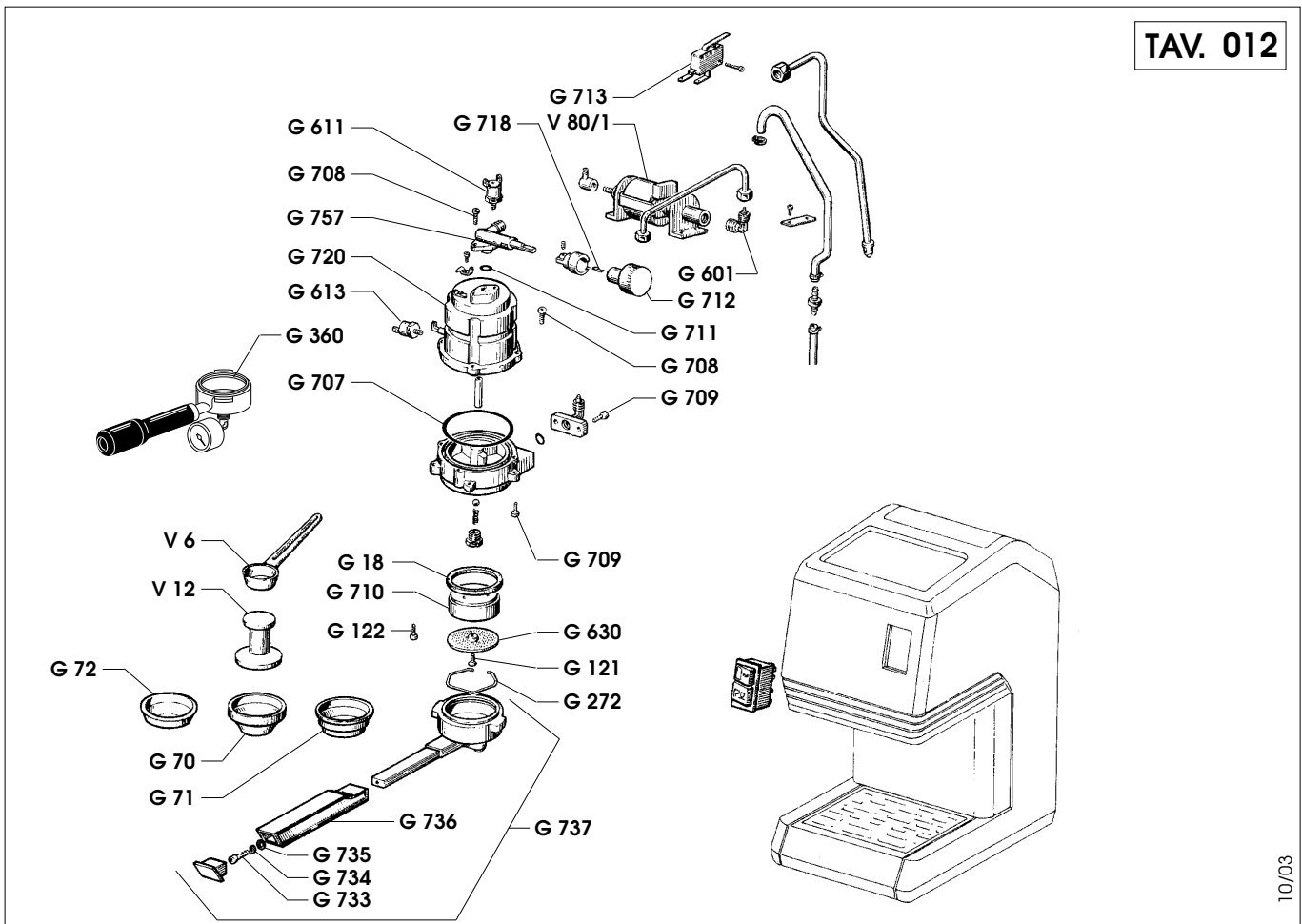
10/03

CODICE CODES	DENOMINAZIONE	DENOMINATION	CODICE CODES	DENOMINAZIONE	DENOMINATION
<b>G/18</b>	Guarniz. porta filtro mm. 8,5	8.5mm. portafilter gasket	<b>G/720</b>	Caldaietta V 230 Baby	Espresso "Baby" boiler 230V
<b>G/70</b>	Filtro 1 tazza 7 grammi	1-cup filter with edge, 7 g.	<b>G/730</b>	Molla volantino	"Baby" knob spring
<b>G/71</b>	Filtro 2 tazze 14 grammi	2-cup filter with edge, 14 g.	<b>G/733</b>	Vite	Screw for grip
<b>G/72</b>	Filtro cieco	Blind filter	<b>G/734</b>	Rondella	Washer for grip
<b>G/121</b>	Vite inox	SS screw for shower screen	<b>G/735</b>	Grower	Grower for grip
<b>G/122</b>	Vite inox	SS screw for shower screen holder	<b>G/736</b>	Manopola	New "Baby" grip with cap
<b>G/272</b>	Molla	Filter stop spring	<b>G/737</b>	Portafiltro completo	Complete portafilter
<b>G/360</b>	Portafiltro prova pressione	Pressure test portafilter	<b>G/755</b>	Volantino vapore Nuova Baby	Steam knob "New Baby"
<b>G/601</b>	Raccordo a gomito	Elbow fitting	<b>G/756</b>	Volantino vapore Gran Gaggia	Small steam knob
<b>G/611</b>	Termostato vapore 150°	Steam thermostat 150°	<b>V/6</b>	Dosatore inox	Metal measuring spoon
<b>G/630</b>	Doccia	Shower screen	<b>V/12</b>	Pressino in plastica	Bakelite coffee pressure
<b>G/699</b>	Elettrovalvola 3 vie	3-way solenoid valve	<b>V/80/1</b>	Pompa membrana 68 W 230 V	Membrane pump 68W 230V
<b>G/700</b>	Pulsante caffè	Coffee switch			
<b>G/701</b>	Pulsante acqua	Water switch			
<b>G/702</b>	Pulsante vapore	Steam switch			
<b>G/703</b>	Spia luminosa acqua	Water pilot lamp			
<b>G/705</b>	Elettrovalvola 2 vie Baby	2-way solenoid for "Baby"			
<b>G/706</b>	Bobina V 230	Coil 230V			
<b>G/707</b>	OR	Boiler O-ring			
<b>G/708</b>	Brugola	Steam valve boiler screw			
<b>G/709</b>	Brugola	Group securing screw			
<b>G/710</b>	Blocchetto porta doccia	Shower screen holder plate			
<b>G/711</b>	OR rubinetto	Valve O-ring			
<b>G/713</b>	Micro	Coffee microswitch			



# Macchina tipo ESPRESSO GAGGIA

TAV. 012

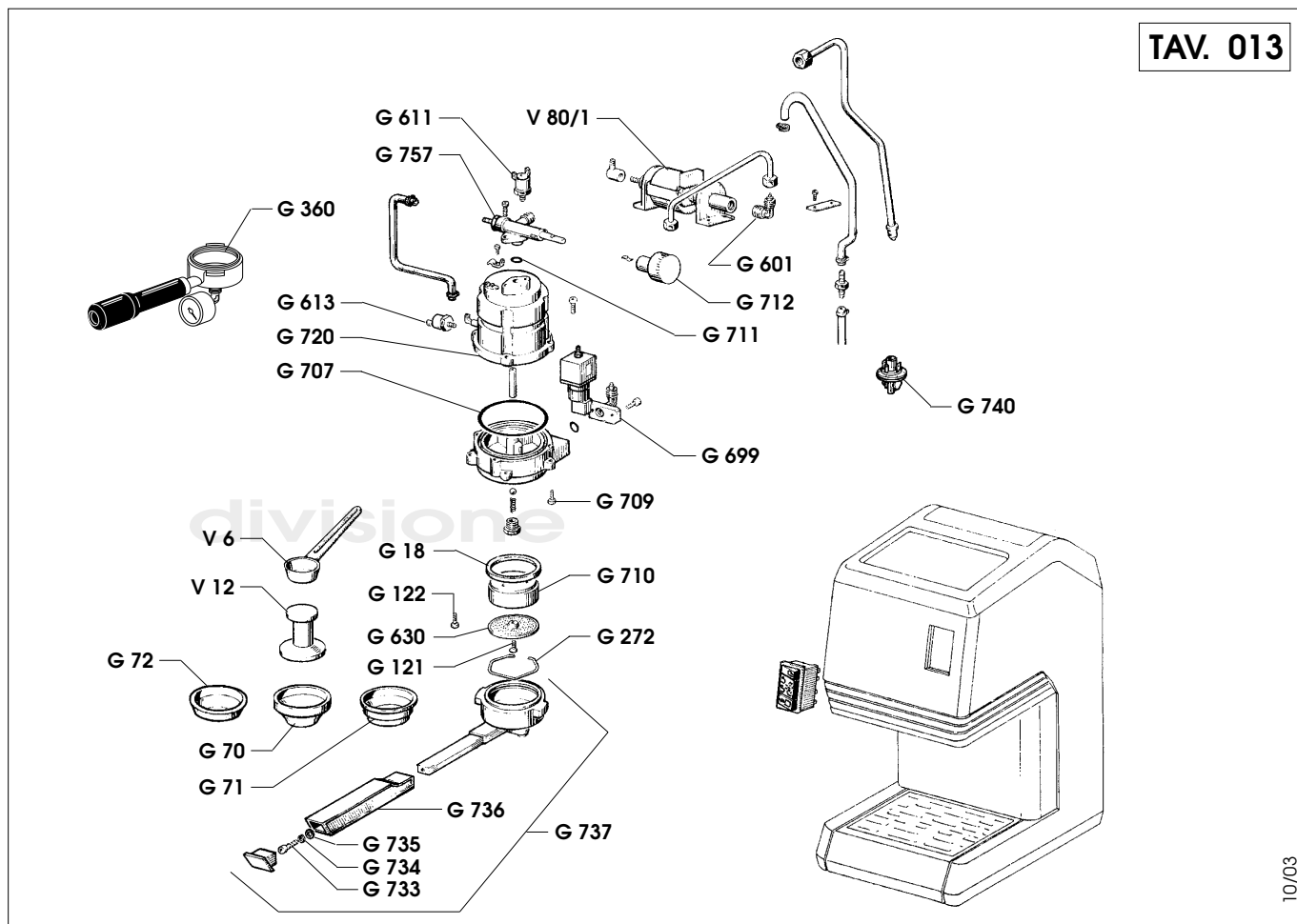


10/03

CODICE CODES	DENOMINAZIONE	DENOMINATION	CODICE CODES	DENOMINAZIONE	DENOMINATION
<b>G/18</b>	Guarniz. porta filtro mm. 8,5	8.5mm. portafilter gasket	<b>G/736</b>	Manopola Nuova baby	New "Baby" grip with cap
<b>G/70</b>	Filtro 1 tazza 7 grammi	1-cup filter with edge, 7 g.	<b>G/737</b>	Portafiltro completo	Complete portafilter
<b>G/71</b>	Filtro 2 tazze 14 grammi	2-cup filter with edge, 14 g.	<b>G/757</b>	Rubinetto	Espresso "Dandy" valve
<b>G/72</b>	Filtro cieco	Blind filter	<b>V/6</b>	Dosatore inox	Metal measuring spoon
<b>G/121</b>	Vite inox	SS screw for shower screen	<b>V/12</b>	Pressino in plastica	Bakelite coffee pressure
<b>G/122</b>	Vite inox	SS screw for shower screen holder	<b>V/80/1</b>	Pompa a membr. V 230 W 68	Diaphragm pump 230V 68W
<b>G/272</b>	Molla	Filter stop spring			
<b>G/360</b>	Portafiltro prova pressione	Pressure test portafilter			
<b>G/601</b>	Raccordo a gomito	Elbow fitting			
<b>G/611</b>	Termostato vapore 150°	Steam thermostat 150°			
<b>G/613</b>	Termostato caffè 107°	Coffee thermostat			
<b>G/630</b>	Doccia	Shower screen			
<b>G/707</b>	OR caldaia	Boiler O-ring			
<b>G/708</b>	Brugola	Steam valve boiler screw			
<b>G/709</b>	Brugola	Group securing screw			
<b>G/710</b>	Blocchetto porta doccia	Shower screen holder plate			
<b>G/711</b>	OR rubinetto	Valve O-ring			
<b>G/712</b>	Volantino vapore	"Dandy" espresso steam handle			
<b>G/713</b>	Micro	Coffee microswitch			
<b>G/718</b>	Molla volantino	Knob spring			
<b>G/720</b>	Caldaietta V 230	Espresso "Baby" boiler 230 V			
<b>G/733</b>	Vite	Screw for grip			
<b>G/734</b>	Rondella	Washer for grip			
<b>G/735</b>	Grower	Grower for grip			

# Macchina tipo DANDY GAGGIA

TAV. 013



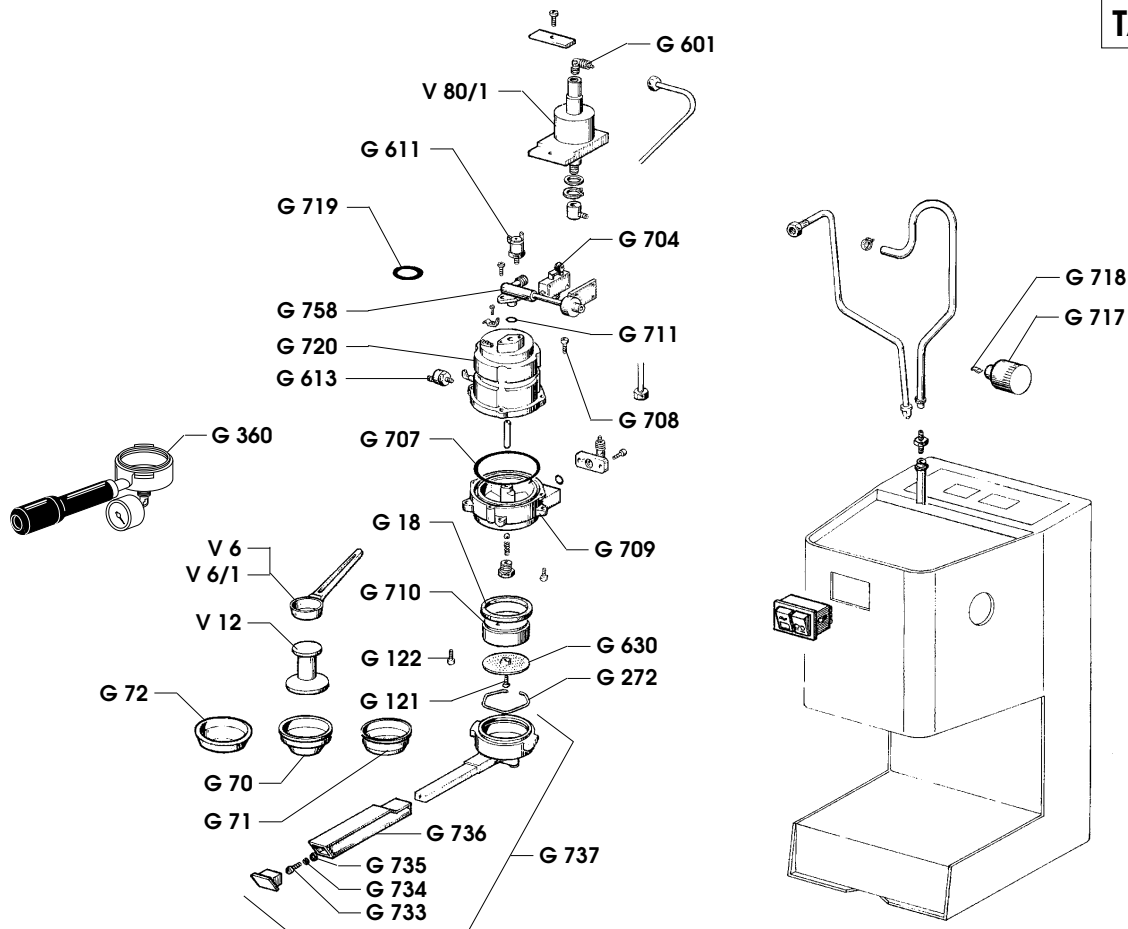
10/03

CODICE CODES	DENOMINAZIONE	DENOMINATION	CODICE CODES	DENOMINAZIONE	DENOMINATION
G/18	Guarniz. porta filtro mm. 8,5	8.5mm. portafilter gasket	G/740	Termostato	"Dandy" thermostat
G/70	Filtro 1 tazza 7 grammi	1-cup filter with edge, 7 g.	G/757	Rubinetto	Espresso "Dandy" valve
G/71	Filtro 2 tazze 14 grammi	2-cup filter with edge, 14 g.	V/6	Dosatore inox	Metal measuring spoon
G/72	Filtro cieco	Blind filter	V/12	Pressino in plastica	Bakelite coffee pressor
G/121	Vite inox	SS screw for shower screen	V/80/1	Pompa a membr. V 230 W 68	Diaphragm pump 230V 68W
G/122	Vite inox	SS screw for shower screen holder			
G/272	Molla ferma filtro	Spring			
G/360	Portafiltra prova pressione	Pressure test portafilter			
G/601	Raccordo a gomito	Elbow fitting			
G/611	Termostato vapore 150°	Steam thermostat 150°			
G/613	Termostato caffè 107°	Coffee thermostat			
G/630	Doccia	Shower screen			
G/699	Elettrovalvola 3 vie 230 V	3-way solen. for "New Baby/Dandy" 230V			
G/707	OR caldaia	Boiler O-ring			
G/709	Brugola	Group securing screw			
G/710	Blocchetto porta doccia	Shower screen			
G/711	OR rubinetto	Valve O-ring			
G/712	Volantino vapore	"Dandy" espresso steam handle			
G/720	Caldaietta V 230	Espresso "Baby" boiler 230V			
G/733	Vite	Screw for grip			
G/734	Rondella	Washer for grip			
G/735	Grower	Grower for grip			
G/736	Manopola nuove baby	New "Baby" grip with cap			
G/737	Portafiltra completo	Complete portafilter			



# Macchina tipo COFFEE GAGGIA

TAV. 014



10/03

CODICE CODES	DENOMINAZIONE	DENOMINATION	CODICE CODES	DENOMINAZIONE	DENOMINATION
<b>G/18</b>	Guarniz. porta filtro mm. 8,5	8.5mm. portafilter gasket	<b>G/735</b>	Grower	Grower for grip
<b>G/70</b>	Filtro 1 tazza 7 grammi	1-cup filter with edge, 7 g.	<b>G/736</b>	Manopola nuove baby	New "Baby" grip with cap
<b>G/71</b>	Filtro 2 tazze 14 grammi	2-cup filter with edge, 14 g.	<b>G/737</b>	Portafiltro completo	Compleat portafilter
<b>G/72</b>	Filtro cieco	Blind filter	<b>G/758</b>	Rubinetto	Coffee valve
<b>G/121</b>	Vite inox	SS screw for shower screen	<b>V/6</b>	Dosatore inox	Metal measuring spoon
<b>G/122</b>	Vite inox	SS screw for shower screen holder	<b>V/6/1</b>	Dosatore di plastica	Bakelite measuring spoon
<b>G/272</b>	Molla fermofiltro	Filter stop spring	<b>V/12</b>	Pressino in plastica	Bakelite coffee pressure
<b>G/360</b>	Portafiltro prova pressione	Pressure test portafilter	<b>V/80/1</b>	Pompa a membr. V 230 68 W	Diaphragm pump 230V 68W
<b>G/601</b>	Raccordo	Elbow fitting			
<b>G/611</b>	Termostato vapore 150°	Steam thermostat 150°			
<b>G/613</b>	Termostato caffè 107°	Coffee thermostat			
<b>G/630</b>	Doccetta	Shower screen			
<b>G/704</b>	Microinterruttore	Microswitch			
<b>G/707</b>	OR caldaia	Boiler O-ring			
<b>G/708</b>	Brugola	Steam valve boiler screw			
<b>G/709</b>	Brugola	Group securing screw			
<b>G/710</b>	Blocchetto porta doccia	Shower screen holder plate			
<b>G/711</b>	OR rubinetto	Valve O-ring			
<b>G/717</b>	Volantino vapore	Coffee steam knob			
<b>G/718</b>	Molla volantino	Knob spring			
<b>G/719</b>	OR Vyton asta rubinetto	New "Baby" Vyton valve O-ring			
<b>G/720</b>	Caldaietta 230 V	Espresso "Baby" boiler 230V			
<b>G/733</b>	Vite	Screw for grip			
<b>G/734</b>	Rondella	Washer for grip			