

GAGGIA®

RI9700/60-64

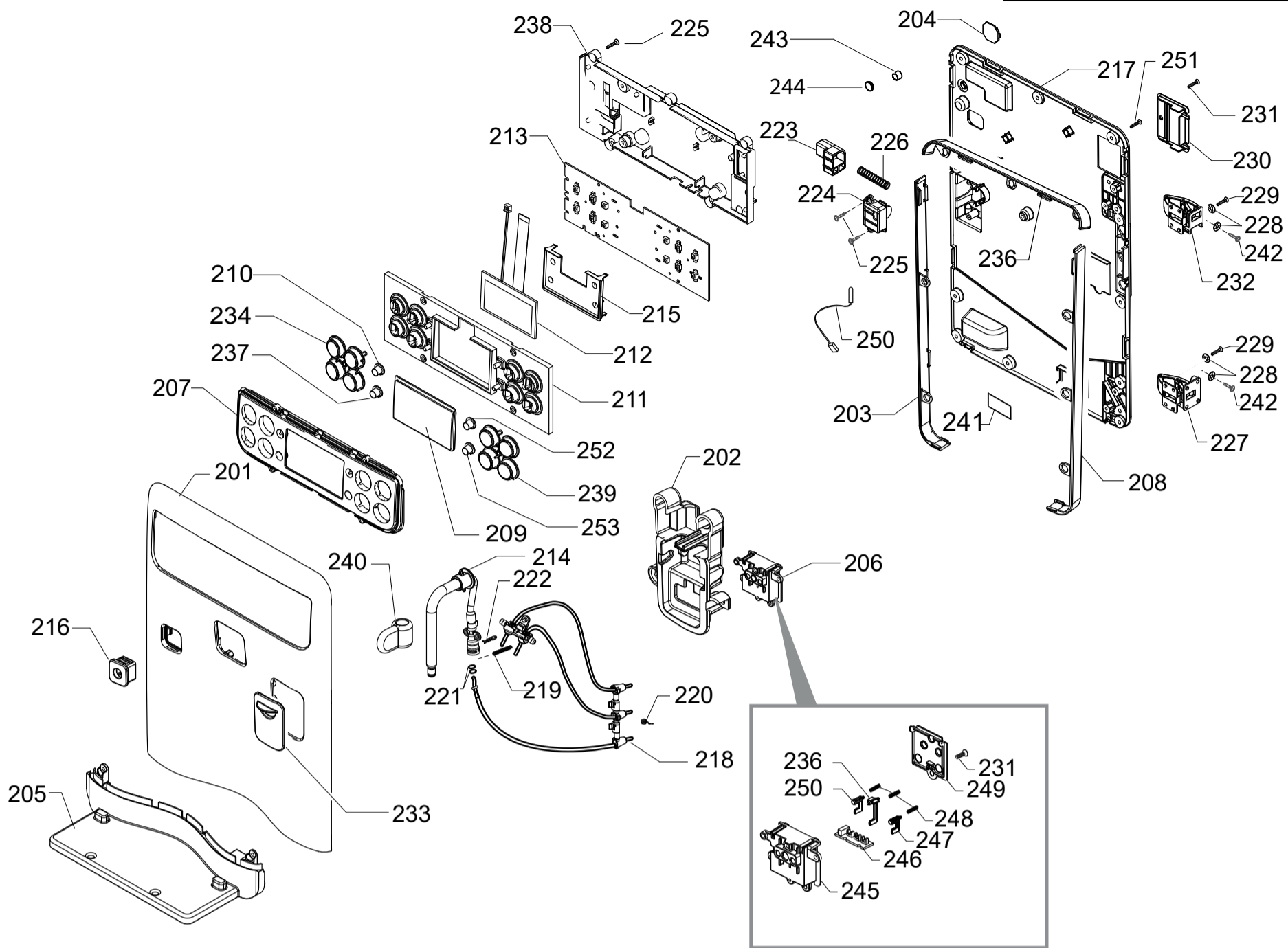


Cod.886970060010- 886970064540

POS	CODICE	12NC	DESCRIZIONE	NOTE	POS	CODICE	12NC	DESCRIZIONE	NOTE
101		421944033301	BLK ABS COFFEE MEASURE SMART		141	17001686	996530073349	BLACK DOOR UPPER HINGE COVER MDS	
102	127390100	996530011867	BRUSH FOR CLEANING		142	17000007	996530066726	COMPONENTS SUPPORT INSULATE SHEET MYB9	
103		421946017941	KLUBERLUB NH1 11-222 TUBE 5GR.		143	11023304	996530007613	PWR ELECTR.BOARD INSULATE SHEET MYB9	
104	11025804	996530070517	CHROM.LEFT LATERAL REAR FRAME INS.MDS						
105		421946001591	BLK POWER CABLE SCHUKO L=800						
	183921950	996530025843	POWER CABLE SJT3 USA BLACK UL L=1200						
106		421941309071	KIT PS-E INSERT FOR BOX V2 MDS						
107	17000111	996530067464	BLACK COVER CONDUCTING SEAL MDS						
108		421946036441	DISPL.BOX MDG/T GAG BABILA						
109	12000450	996530007819	SCREW TCB TORX 10 3,5X12 PLAST.ZN-N						
110	11026338	996530070513	SB/SS GROUND CONT.DOOR COVER MDS/H ASSY.						
111	11026339	996530070521	SB/SS WATER CONT.DOOR COVER MDS/H ASSY.						
112		421944048731	G/ANM LEFT SIDE PANEL MDS/P						
113	11023035	996530007549	SS SPRING FOR WATER CONTAINER LEVER MDS						
114	11022425	996530007364	YELLOW LEVER FOR WATER CONTAIN.S/SC.MYB9						
115	11026340	996530070511	SB/SS BEAN CONTAIN.DOOR COVER MDS/H ASSY						
116	17000113	996530067474	BLACK COVER CASING V2 MDS						
117	11022950	996530007507	BLACK GROUND COFFEE HOPPER PLATE MDS						
118	11023060	996530007567	BLACK HORIZONTAL MOUNTING PLATE MDS						
119	11022938	996530067532	BLACK STEEL CASING MDS ASSY.						
120		421941306721	CPU+SW WATER LEVEL SENSOR V3 ASSY.						
121	11024263	996530067506	PWR BOARD MDS						
	11021342	996530007079	PWR BOARD MYB9/MDS	120V					
122	11023061	996530007568	BLACK PWR BOARD COVER MDS						
123	129914002	996530013165	SCREW TCB TORX 10 3,5X16 PLAST.ZN-B						
124		421944071391	BLK REAR PANEL NO LOGO V2 MDG/T						
125		421944048721	G/ANM RIGHT SIDE PANEL MDS/P						
126	11021829	996530007156	BLACK/TRANSP.RIGID FOOT MYB9						
127	11021769	996530007136	BLACK RIGID FOOT FIXING PIN MYB9						
128	11026673	996530073497	BLACK DUMP BOX MDS ASSY.						
129	11023032	996530007547	BLK DRIP TRAY COFF.BREW UNIT COVER MDS						
130	17002176	996530073075	BLACK COFFEE UNIT DRIP TRAY V2 MDS						
131	11023166	996530007589	40POLES FLAT CABLE BOARDS LINK MDS UL						
132	11013806	996530006864	BLACK FLAT-CABLE PROTECTION MYB9						
133	17000064	996530067437	BLK CAPACIT.SENSOR DEADLOCK INSERT XSM						
134	11025803	996530070514	CHROM.RIGHT LATERAL REAR FRAME INS.MDS						
135	17000363	996530009605	TRANSP.INFRAREDS PLATE MDS						
136	11021976	996530007207	STEEL PLATE FOR DOOR CLOSURE MYB9						
137	129913202	996530013156	SCREW TCB TORX 10 3X8 PLAST.ZN-B						
138	9161.111	996530050555	MAGNET FOR FLOAT SUPERAUT.						
139	186401220	996530026185	BENT TABS 6,3 D=3,3 <=90° 4001851000						
140	11025802	996530070516	CHROM.UPPER REAR FRAME INSERT MDS						

GAGGIA®

GAGGIA BABILA



GAGGIA®

RI9700/60-64

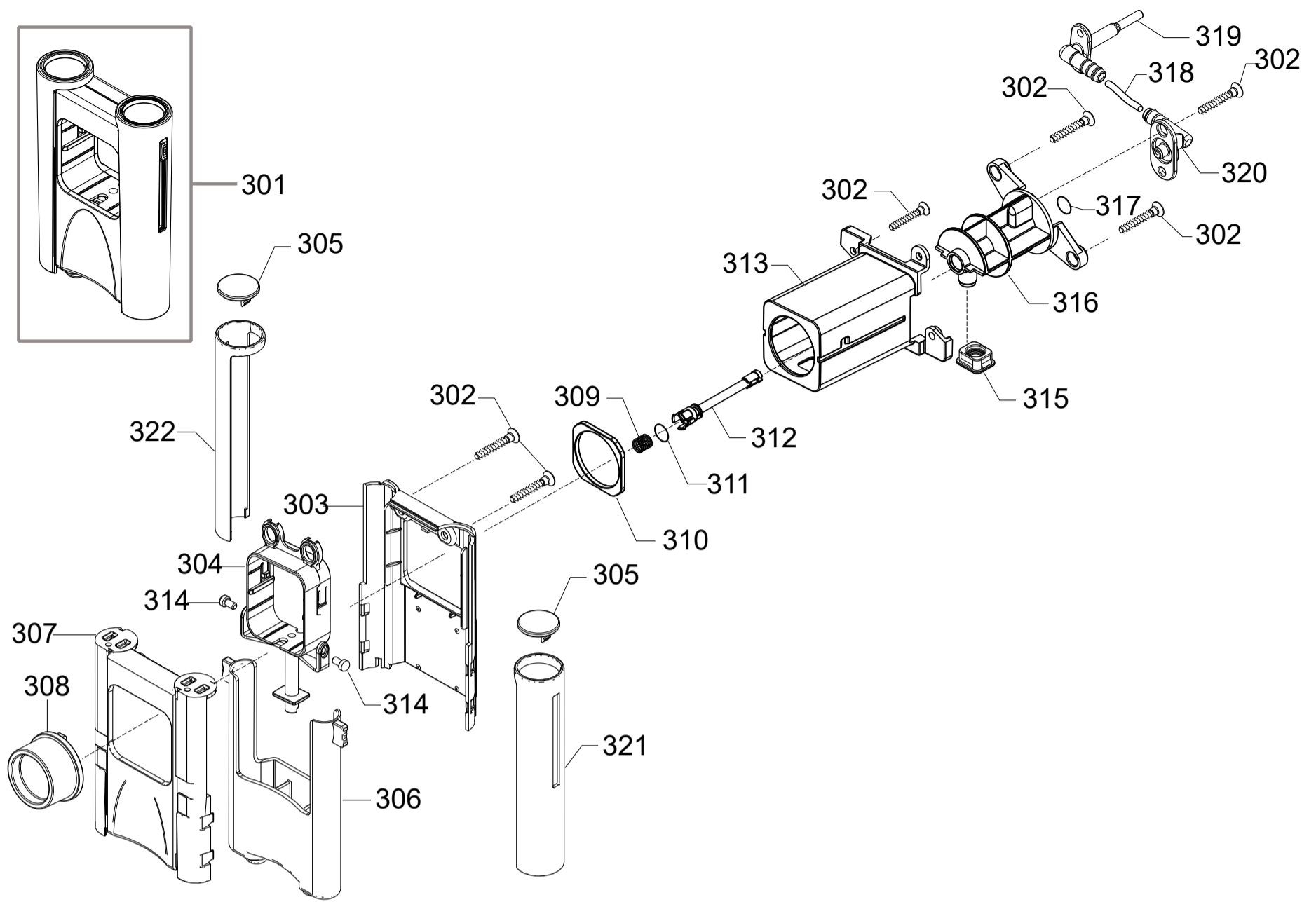


Cod.886970060010- 886970064540

POS	CODICE	12NC	DESCRIZIONE	NOTE	POS	CODICE	12NC	DESCRIZIONE	NOTE
201		421944072511	SB/SS FRONT.PANEL S/SCR.MDG GAG ASSY		243	9161.111	996530050555	MAGNET FOR FLOAT SUPERAUT.	
202	11023433	996530007629	BLACK FRONTAL PANEL INSERT MDS		244	11014016	996530006968	SS.INSERT FOR MAGNET MYB9	
203	11025801	996530070528	CHROM.LEFT LATERAL FRONT FRAME INS.MDS		245	11023238	996530007602	AS.SUPP.SCHEDA CARAF.V4 MYB9 NER.	
204	17000363	996530009605	TRANSP.INFRAREDS PLATE MDS		246	11013368	996530006754	MILKCARAFFE BOARD V2 MYB9	
205	11029324	996530070524	BLACK DRIP TRAY SUPPORT V2 MDS		247	17000002	996530009555	BLACK CARAFE MICRO INSERT V2 MYB9	
206	11022986	996530067487	BLK CARAFFE BOARD SUPPORT GEN.MDS ASSY.		248	17000019	996530009566	SS CARAFE MICRO INSERT SPRING MYB9	
207		421944055821	CHR.TOUCH PANEL SUPPORT S/SCR.V5 MDSE		249	11013328	996530006745	BLACK CARAFFE BOARD COVER MYB9	
208	11025800	996530070527	CHROM.RIGHT LATERAL FRONT FRAME INS.MDS		250	17800663	996530074212	2POLES CONN.SENSOR REED DOOR V2 P0049 UL	
209	11029410	996530072616	TRANSP.GLASS FOR DISPLAY S/SCR.MDSE		251	129912521	996530013148	SCREW TCBR TORX 10 3,5X14 PLAST.SS	
210		421944048652	CRC OK BUTTON S/SCR.V2 MDSE		252		421944048662	CRC AROMA BUTTON S/SCR.V2 MDSE	
211	17001272	996530072586	TRANSP.TOUCH PANEL MDSE		253		421944048682	CRC OK MENU S/SCR.V2 MDSE	
212	12001777	996530072599	DISPLAY OLED 128X64 MDSE						
213		421941310181	CPU+SW MDG/T ASSY.						
214		421944060431	TF/CHROM.STEAM TUBE V2 MDS ASSY						
215	17001424	996530072565	BLACK DISPLAY SUPPORT MDSE						
216	11023021	996530007542	CHROM.EXTERNAL STEAM TUBE INSERT MDS						
217	11030578	996530072409	BLK INSIDE COVER FRONT PANEL V3 MDS						
218	17000062	996530067476	WHT PREFORM.TEFLON TUBES SUPP.MDS ASSY.						
219	17000006	996530009559	TWO WAY TEFLON TUBES SUPPORT SPRING MYB9						
220	17000698	996530072574	STEEL TEFLON TUBES SUPPORT SPRING MDS						
221	140328059	996530013564	OR 2015 SILICONE PTFE/FDA						
222	9011.144	996530048885	SS FORK FOR TUBE D=4						
223	11014215	996530007042	BLACK BUTTON FOR DOOR RELEASE MYB9						
224	11014218	996530007043	BLACK COVER BUTTON FOR DOOR RELEASE MYB9						
225	12000450	996530007819	SCREW TCBR TORX 10 3,5X12 PLAST.ZN-N						
226	11021747	996530007128	SPRING FOR DOOR RELEASE BUTTON MYB9						
227	17000094	996530009581	DOOR LOWER HINGE V2 MYB9						
228	128310402	996530012341	GALV.WASHER UNI 8842 A4						
229	12001728	996530070321	SCREW TCBR TORX 10 3,5X12 PLAST.SS						
230	17000048	996530067469	BLACK FLAT-CABLE COVER MDS						
231	12000895	996530007951	SCREW TSP TORX 10 3X10 PLAST.SS						
232	17000106	996530009584	DOOR UPPER HINGE V2 MYB9						
233	11023368	996530007622	CHROM.CONNECT.CAP FOR CARAFE MDS ASSY.						
234		421944048141	CRC LEFT BUTTONS S/SCR.V2 MDSE ASSY.						
235	11025799	996530070525	CHROM.UPPER FRONT FRAME INSERT MDS						
236	17000045	996530009578	BLK PRESENCE CARAFE MICRO INSERT V2 MYB9						
237		421944048672	CRC EXIT BUTTON S/SCR.V2 MDSE						
238	17001303	996530072569	BLACK INSIDE DISPLAY COVER MDSE						
239		421944048221	CRC RIGHT BUTTONS S/SCR.V2 MDSE ASSY.						
240	17000110	996530067454	BLACK STEAM TUBE HANDGRIP MDS						
241		421941306721	CPU+SW WATER LEVEL SENSOR V3 ASSY.						
242	129823821	996530013079	TCB SCREW M4X8 UNI 7687 SS						

GAGGIA®

GAGGIA BABILA



RI9700/60-64

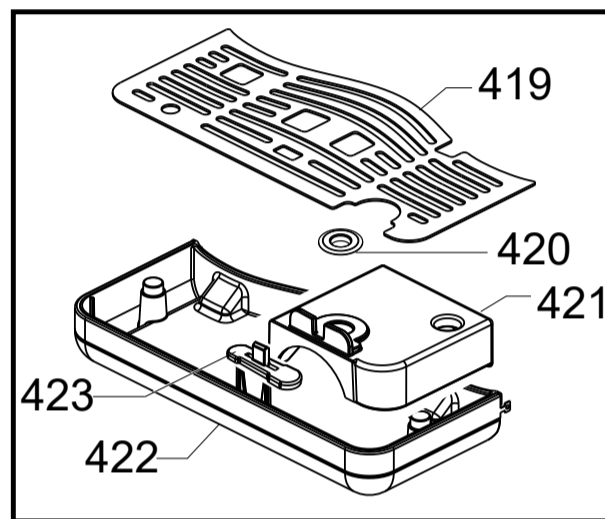
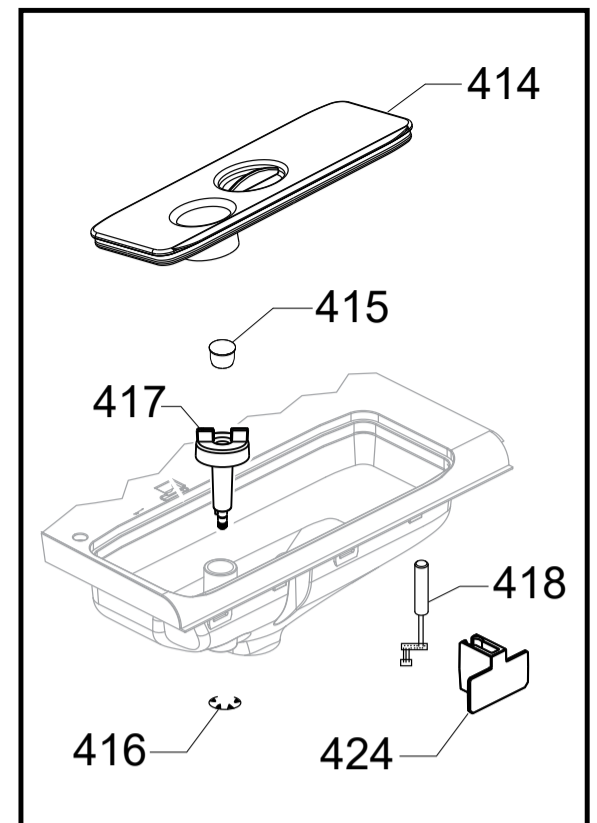
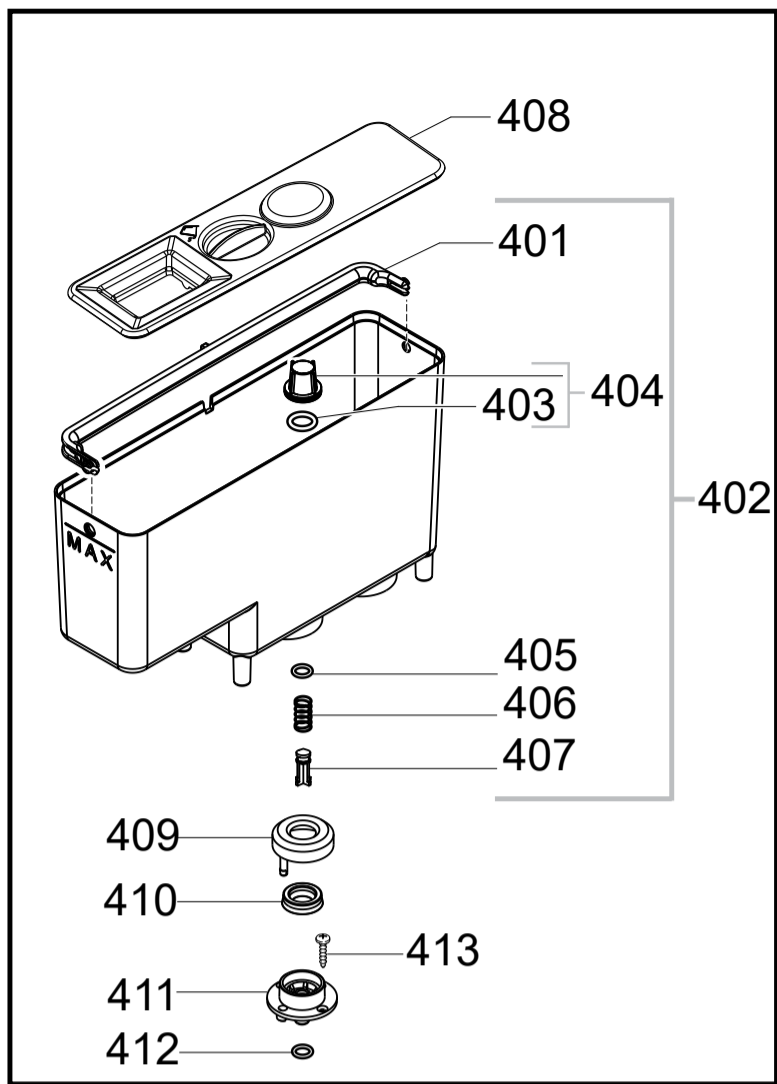


Cod.886970060010- 886970064540

POS	CODICE	12NC	DESCRIZIONE	NOTE	POS	CODICE	12NC	DESCRIZIONE	NOTE
301	11029438	996530072545	CRC COFFEE DISPENSER MDSE ASSY.						
302	12000450	996530007819	SCREW TCBR TORX 10 3,5X12 PLAST.ZN-N						
303	17001347	996530072628	BLACK.REAR COVER COFFEE DISPENSER MDSE						
304	17001341	996530072589	BLACK COFFEE DISPENSER INNER BODY MDSE						
305	11031418	996530073251	CHROM.COFFEE DISPENSER CAP V2 MDSE						
306	17001348	996530072624	BLACK EXT.MOBILE PART COF.DISPENSER MDSE						
307	11029434	996530072598	CRC FRONT COVER COFFEE DISPENSER MDSE						
308		421946024292	CHR.CREAM ADJUSTMENT KNOB S/SCR.V3 MDSE						
309	126772518	996530011711	SS COFF.CREAM ADJUSTMENT SHAFT SPRING						
310	11013324	996530006743	BLACK CREAM ADJUSTMENT KNOB RING MYB9						
311	140326661	996530013546	OR ORM 0040-20 BLACK EPDM						
312	140640200	996530013621	WHITE COFFEE CREAM ADJUSTMENT SHAFT						
313		421944047891	CHROM.COFFEE DISP.SUPPORT S/SCR MDS						
314	11013085	996530006614	WHITE COFFEE DISPENSER SLIDER MYB9						
315		421944057391	BLK COF.DISPENS.SEAL V2 MYB9						
316		421944043111	BLACK COFFEE DISPENSER TUBE V2 MYB9						
317	12000070	996530007732	OR ORM 0060-15 SILICONE						
318	149360200	996530018269	SILICONE TUBE 5X8 70SR	IN ROLL					
319		421944002701	BLK DISPENSER COF.INLET CONNECT.V2 MYB9						
320	11012926	996530006575	BLACK COFFEE DISPENSER CONNECTOR MYB9						
321	11030090	996530073252	CHROM.LEFT SIDE INSERT COF.DISPENS.MDSE						
322	11030091	996530073253	CHROM.RIGHT SIDE INSERT COF.DISPENS.MDSE						



GAGGIA BABILA



GAGGIA®

RI9700/60-64



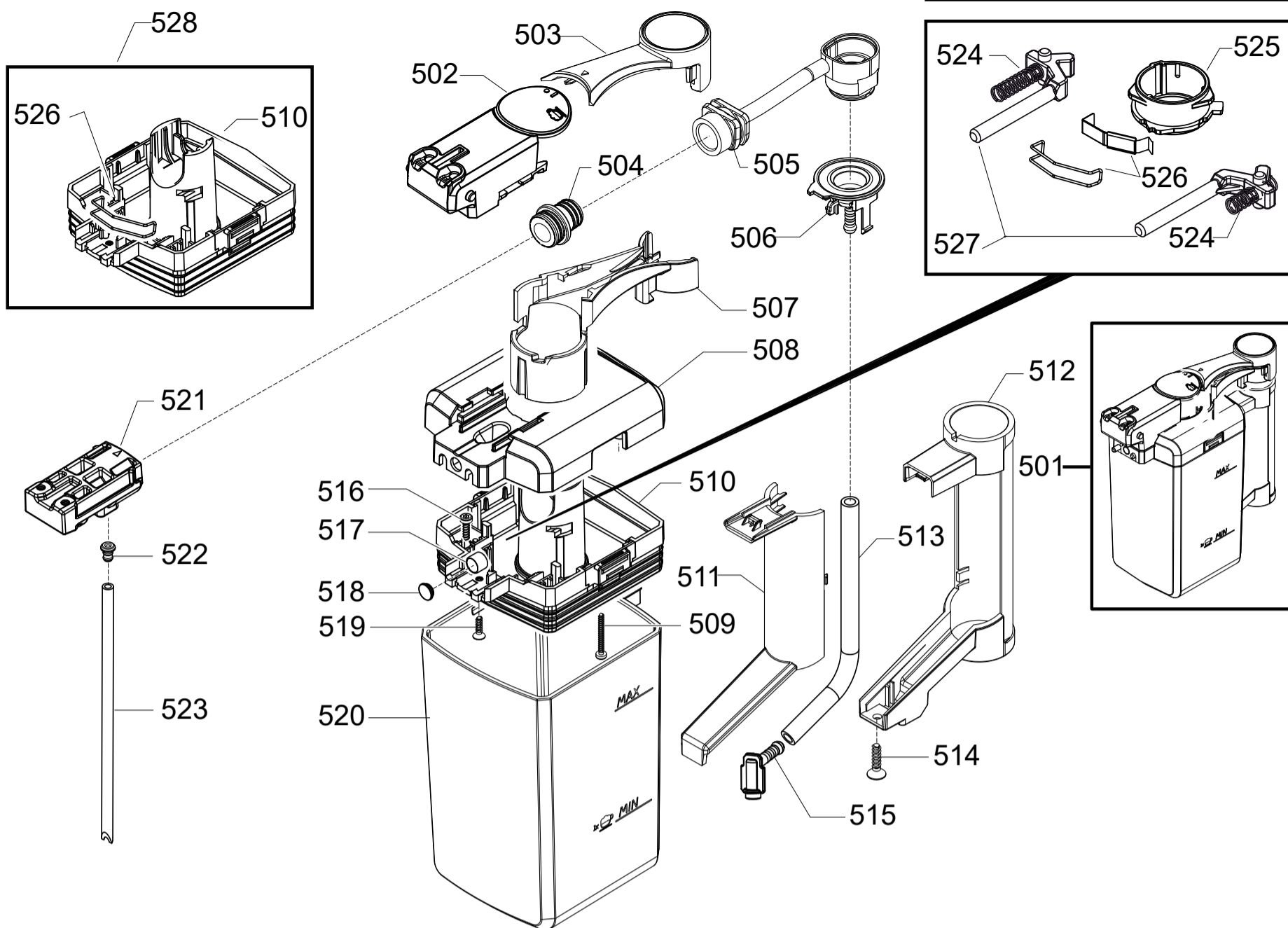
Cod.886970060010- 886970064540

POS	CODICE	12NC	DESCRIZIONE	NOTE	POS	CODICE	12NC	DESCRIZIONE	NOTE
401	11023155	996530007587	BLACK WATER CONTAINER HANDLE MDS						
402		421944055841	NAT/GRY WATER CONT.LONGEVITY MDS ASSY						
403	140328461	996530013571	OR ORM 0190-10 EPDM						
404	224640200	996530029115	WHITE WATER CONTAINER EXT.FILTER ASSY.						
405	140324362	996530013507	OR ORM 0060-30 SILICONE						
406	126764718	996530011626	SS WATER CONTAINER VALVE SPRING						
407	147660562	996530016894	GREY PISTON FOR WATER CONTAINER VALVE						
408	11023038	996530007553	NAT/GREY WATER CONTAINER LID MDS						
409	0701.031.150	996530044417	GREY WATER VALVE GACO DIM 14 SEAL COVER						
410	145842900	996530015823	NBR WATER CONT.VALVE GACO DIM14 SEAL						
411	0701.014.150	996530044404	GREY WATER VALVE GACO DIM 14 SEAL CONT.						
412	140320461	996530013446	OR ORM 0080-20 TERMOIL						
413	129535721	996530012898	SCREW TSP TORX 10 AB 3,5X9,5 SHEET SS						
414		421944055871	NAT/GRY BEAN COF.CONT.LID S/SC.V2 MDS AS						
415	149213059	996530018116	GREY CAP FOR KNOBS BEAN CONTAINER						
416	120350604	996530010768	SHAFT 6 UNI 7434						
417	11022951	996530007508	BLACK GRIND.ADJUSTMENT KNOB MDS						
418	17800430	996530073402	5POLES CONNECTOR MC SENSORS V2 MDS UL						
419	11023025	996530007543	SS DRIP TRAY GRATE MDS						
420	17000147	996530066732	BLACK GRATE SEAL V3 MYB9/H-P						
421	11023030	996530007545	BLACK DRIP TRAY COVER MDS						
422	11023029	996530067463	SM/SS-BLACK DRIP TRAY MDS ASSY.						
423	17000001	996530009554	RED FLOAT FOR DRIP TRAY MDS						
424	17000204	996530067529	BLACK REED SENSOR SUPPORT MDS						

GAGGIA®

GAGGIA BABILA

TABLE 4/9



GAGGIA®

RI9700/60-64



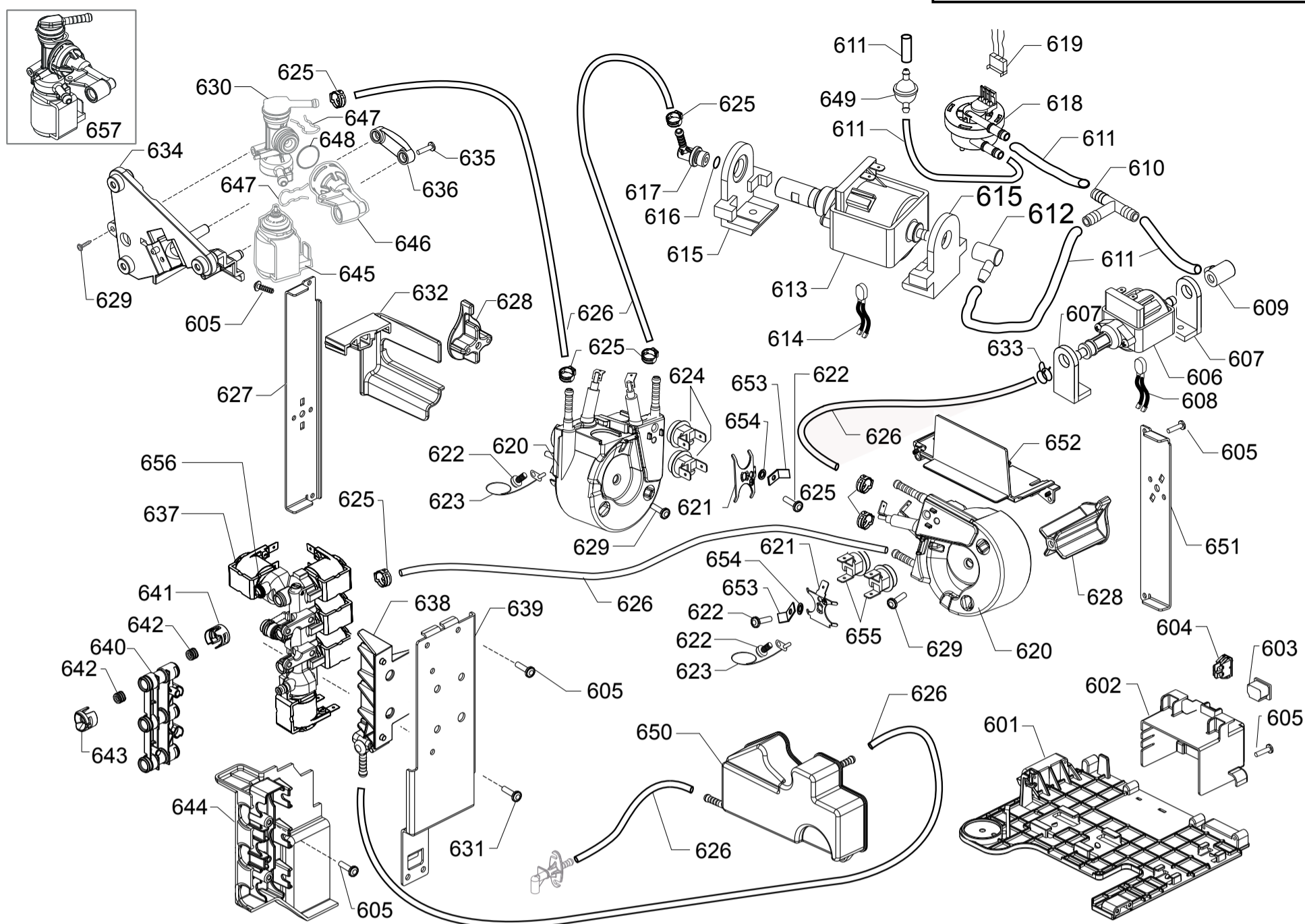
Cod.886970060010- 886970064540

POS	CODICE	12NC	DESCRIZIONE	NOTE	POS	CODICE	12NC	DESCRIZIONE	NOTE
501		421941300151	TRANSP/CHROM.GEN.CARAFE MDS/P ASSY.						
502	11023235	996530007599	CHR.CARAFE CAPP.COVER V2 S/SC.MYB9 ASSY						
503		421941300231	CHROM.CARAFE UP.DISP.SUPP.S/S.MDSE ASSY.						
504	11012812	996530006527	VENTURI TUBE FOR CAPPUCINATORE MYB9						
505	17001880	996530073248	BLACK CARAFE MILK DISPENSER TUBE V2 MDSE						
506	17001564	996530072547	BLACK UPPER TUBE CARAFE CONNECT.MDSE						
507		421941300171	CHROM.CARAFE LOWER DISPENSER SUPP.MDSE						
508	11030950	996530072575	MATT/BLACK UPPER COVER PART CARAFE MYB9						
509	12000550	996530007838	SCREW TCB TORX 10 3X25 PLAST.SS						
510		421944012821	BLK LOWER COVER PART CARAFE V2 MYB9 ASSY						
511		421941300271	CHROM.CARAFE REAR PART HANDLE MDSE						
512		421941300251	CHROM.CARAFE FRONT PART HANDLE MDS/P						
513	149360200	996530018269	SILICONE TUBE 5X8 70SR	IN ROLL					
514	129911721	996530013137	SCREW TSP TORX 4X16 PLAST STEEL						
515	11013164	996530006669	BLACK LOWER TUBE CARAFE CONNECT.MYB9						
516	129910921	996530013128	SCREW TCB TORX 10 3X10 SS						
517	9161.111	996530050555	MAGNET FOR FLOAT SUPERAUT.						
518	11014016	996530006968	SS.INSERT FOR MAGNET MYB9						
519	12000895	996530007951	SCREW TSP TORX 10 3X10 PLAST.SS						
520	11024104	996530007705	TRANSP.CARAFE V3 S/SCREEN MYB9						
521	17000004	996530009557	BLK CARAFE CAPPUCIN.CASING W/CAPS MYB9						
522	17001076	996530072552	GREY MILK TUBE CONNECTOR MDSE						
523	11012814	996530067584	SILICONE TUBE 3,5X6 L=140 MM						
524	11013765	996530006849	STEEL SPRING FOR CARAFE LEVER MYB9						
525	17001728	996530072607	BLACK CAM FOR CARAFE LEVERS MDSE						
526		421944007011	CARAFE SPRING WITH INSERT MYB9 ASSY						
527	17000131	996530067459	BLACK LEVER FOR CARAFE CAM V3 MYB9						
528		421940813091	KIT SPARES LOW.COVER PART CARAFE V2 MYB9						

GAGGIA®

GAGGIA BABILA

TABLE 5/9



GAGGIA®

RI9700/60-64



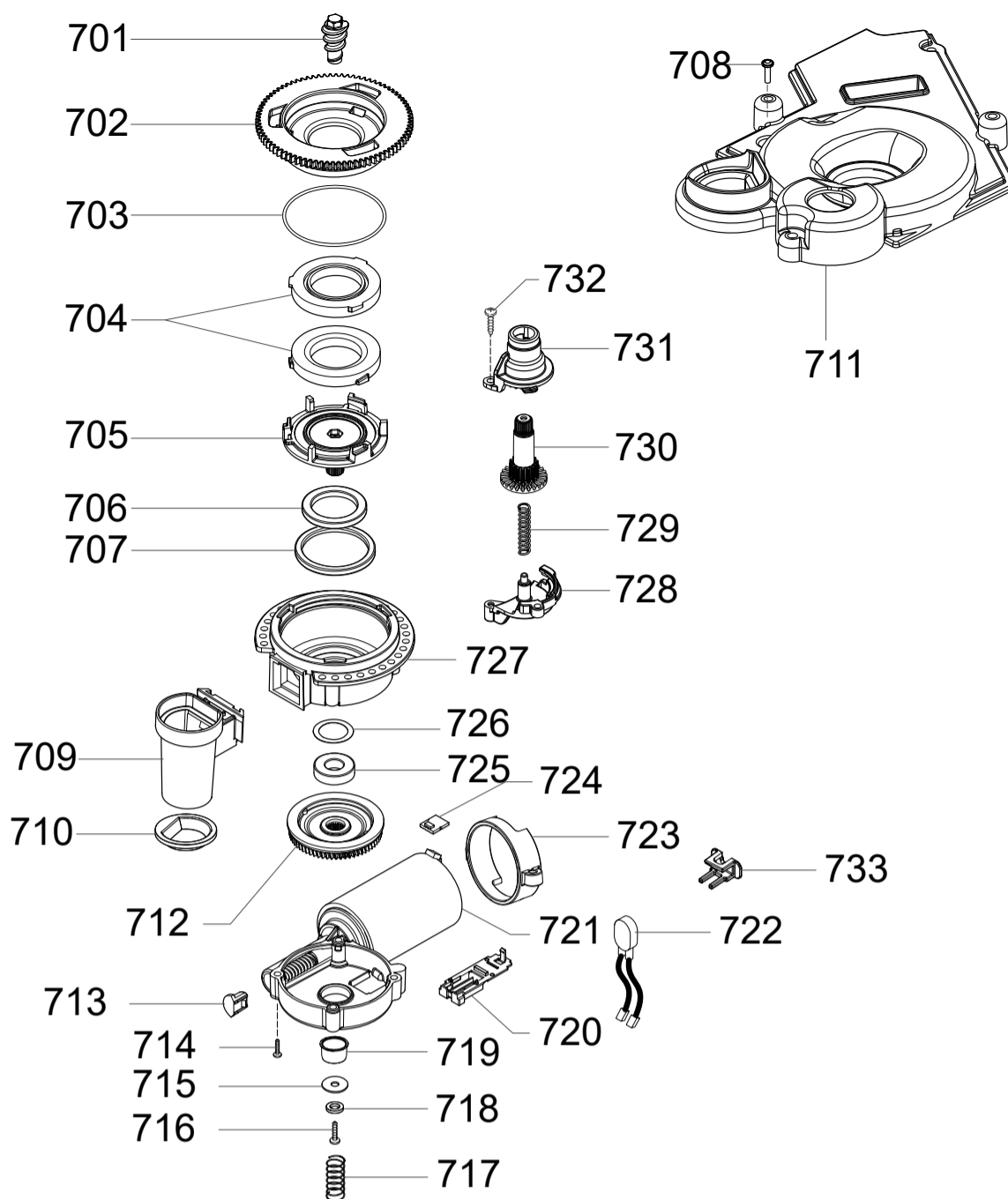
Cod.886970060010- 886970064540

POS	CODICE	12NC	DESCRIZIONE	NOTE	POS	CODICE	12NC	DESCRIZIONE	NOTE
601	11023066	996530007572	BLACK COMPONENTS SUPPORT MDS		641	11023048	996530007561	BLACK EV CONNECTOR INSERT MDS	
602	11023074	9965300067449	BLACK SOCKET-SWITCH SUPPORT MDS		642	11013789	996530006858	BLACK EV CONNECTOR SEAL MYB9	
603	12001883	996530072437	CUP SOCKET V3 EN 60320 C 13		643	11013788	996530006857	BLACK EV CONNECTOR INSERT MYB9	
604	NE03.038	996530058836	BIPOLAR SWITCH FUSIT C1250AR		644	11023054	996530007565	BLACK DOOR TUBES COUPLING PROTECTION MDS	
605	12000450	996530007819	SCREW TCBR TORX 10 3,5X12 PLAST.ZN-N		645		NOT AVAILABLE	SEE POS 657	
606	12001212	996530008003	ULKA PUMP MF	230V-50HZ	646		NOT AVAILABLE	SEE POS 657	
	12001346	996530008028	ULKA PUMP MF	120V-60HZ	647		NOT AVAILABLE	SEE POS 657	
607	11012194	996530006315	BLACK/SBR ULKA MF PUMP SUPPORT		648		NOT AVAILABLE	SEE POS 657	
608	11022888	996530007481	2POLES CONNECTOR STEAM PUMP MDS UL		649	12001595	996530067498	TRANSP/WHITE ASPIRATION FILTER MDS	
609	11012193	996530006314	90° INLET CONNECTOR FOR PUMP ULKA MF		650	17000408	996530009606	BLACK STEAM BLOWDOWN CONDENSER MDS ASSY.	
610	147920300	996530017351	TRANS.CONNECTOR D=8 ART.80.26.047 KA.461		651	11023070	996530007574	STEEL STEAM TUBOL.BOILER SUPPORT MDS	
611	JS01.022	996530057357	SILICONE TUBE 5X10 60SH	IN ROLL	652	17000226	996530067501	BLK HORIZONTAL MOUNTING PLATE INSERT MDS	
612	147920150	996530017348	90° INLET PUMP CONNECTOR		653	124390520	996530011326	BRASS BENT FASTON 45° 6,3X0,8	
613		421941305991	ULKA PUMP EP5FMGW	230V-50HZ	654	128310402	996530012341	GALV.WASHER UNI 8842 A4	
	12000142	996530007754	ULKA PUMP EAP5/S	120V-60HZ	655		421940813001	KIT SPARES STEAM BOILER THERMOSTATS	
614	11022885	996530007477	2POLES CONNECTOR COFFEE PUMP MDS UL		656	11013825	996530006868	BLACK MILK-AIR FLOW SELECTOR MYB9	
615	11022857	996530007468	BLACK PUMP SUPPORT GMYB		657		421944039871	BLOWDOWN VALVE V3 MYB9 ASSY	230V
616	140321961	996530013471	O-RING 2031 TERMOIL				421944039911	BLOWDOWN VALVE V3 MYB9 ASSY	120V
617	11001054	996530000624	BLK PUMP OUTLET 90°CONNECTOR P0049/B				421941302132	SLIM T.BOIL.V2 C2 T150-204 AS	230V-1300W
618	NV99.099	996530059843	TURBINE D=1,2 932-8521/00 ASSY.				421944075261	CAF.BOIL.V2 C2 T150°-204° 1300W 120V AS	120V-1300W
619	11022925	996530007494	6POLES CONNECTOR FLOWMETER MDS UL					WITH PART 620-621-622-623-624-629-653-654	
620		421944024121	TUB.BOILER XS4 ASSY.	230V-1300W					
		421944046121	TUB.BOILER XS4 ASSY.	120V-1300W					
621	11001751	996530000997	TUB.BOILER V3 UPPER THERM.FIXING SPRING				421941302102	SLIM T.BOIL.V2 C2 T170-204 AS	230V-1300W
622	129573402	996530012923	SCREW TAPT M4X10 DIN 7985 GALV					WITH PART 620-621-622-623-629-653-654-655	
623	190800100	996530026997	TEMPERATURE SENSOR NTC UL L=280MM				421944075281	VAP.BOIL.V2 C2 T170-204 1300W 120V ASSY	120V-1300W
624		421940812991	KIT SPARES COFFEE BOILER THERMOSTATS					WITH PART 620-621-622-623-629-653-654-655	
625	12000892	996530007947	OETIKER CLAMP D=9,5 16700004						
626	16000380	996530009505	5X8,9 SILICONE TUBE	IN ROLL					
627	17001900	996530073079	STEEL COFFEE TUBOL.BOILER SUPPORT V2 MDS						
628		421944057621	NEU SLIM TUB.BOILERS SUPPORT V2 MYB9						
629	12001280	996530008024	SCREW TSP TORX 10 5X20 PLAST.ZN-B						
630		NOT AVAILABLE	SEE POS 657						
631	129914302	996530013168	SCREW TORX M4X10 TESTA D=8X1,5 GALV						
632	11023071	996530007575	BLK COFFEE BOILER INSULATING COVER MDS						
633	184320200	996530025907	SPRING HOSE CLAMP D=9,5MM						
634	11012206	996530006317	BLACK BLOWDOWN VALVE SUPPORT MYB9						
635	129913902	996530013164	SCREW TCB TORX 10 3X12 PLAST.ZN-B						
636	11013711	996530006834	BLACK VALVE FIXING FLANGE MYB9						
637		421944060611	DIFFUSER VALVE V3 MDS ASSY						
638	17001328	996530072561	BLACK DIFFUSER VALVE SUPPORT V2 MDS						
639	11023914	996530067495	BLACK STEEL DIFFUSER VALVE SUPPORT MDS						
640		421944059431	WHT DOOR TUBES COUPLING CONNECT.PPS MDS						

GAGGIA®

GAGGIA BABILA

TABLE 6/9



GAGGIA®

RI9700/60-64



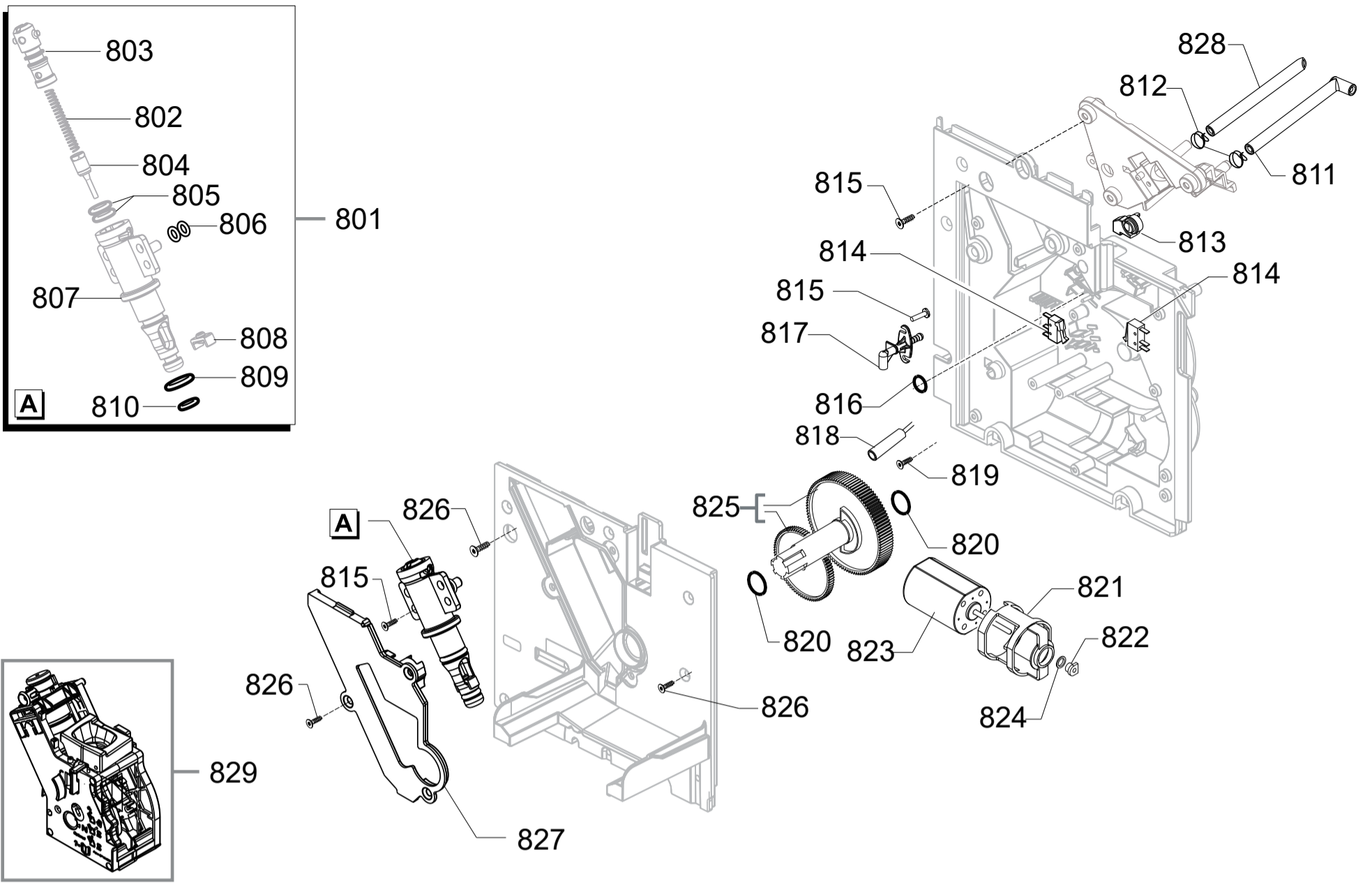
Cod.886970060010- 886970064540

POS	CODICE	12NC	DESCRIZIONE	NOTE	POS	CODICE	12NC	DESCRIZIONE	NOTE
701	11011205	996530005991	TEA ZAMA INCREASE SCREW GRINDER						
702		421941094152	BLK COF.GRINDER UPPER GRINDER SUPPORT V2						
703	140328960	996530013577	OR ORM 0530-15 NBR FDA						
704	146520100	996530016342	BAKED CLAY GRINDER 48X28						
705	149198350	996530017952	BLK LOWER COFFEEGRINDER GRINDER SUPPORT						
706	123030300	996530011183	AXIAL BEARING EKKO 342.35252						
707	140360500	996530013597	FELT RING 45,4X39,4X4						
708	12000450	996530007819	SCREW TCB TORX 10 3,5X12 PLAST.ZN-N						
709	11026355	996530068049	BLK GROUND COFF.OUTLET CONVEYOR V4 ASSY.						
710	11030459	996530072511	GRY GROUND COFFEE CONT.LOWER SEAL SMART1						
711	11023063	996530007569	COFFEE GRINDER SOUNDPROOFING COVER MDS						
712	226000300	996530029609	GEAR SX Z=38 FOR GRINDER MOTION ASSY.						
713	149214800	996530018139	MC V3 MOD=1,25 WORM SCREW CENTRING CAP						
714	129661702	996530012992	SCREW TCB TORX 3,5X30 PLAST.ZN-B						
715	128381902	996530012375	STEEL FLAT WASHER DI=4,3 DE=14 SP=1,5						
716	129574802	996530012928	SCREW TCB TORX 20 M4X30 ZN-B						
717	11000597	996530000376	COFFEE GRINDER SUPPORT SPRING P124						
718	128310402	996530012341	GALV.WASHER UNI 8842 A4						
719	11002873	996530001389	INSULATOR BUSH FOR GRINDER MOTOR P124						
720	149199050	996530017963	BLK SENSOR SUPPORT FOR COF.GRINDER MOTOR						
721	11000513	996530000317	MOTOR COFFEEGRINDER V3.1 ASSY.	230V					
		421941305001	MOTOR COFFEEGRINDER V3.1 ASSY.	120V					
722	17800040	996530009633	2POLES CONNECTOR GRINDER MOTOR MDS UL						
723	11000194	996530000115	BLACK COFFEEGRINDER MOTOR SUPPORT P124						
724	181540900	996530022784	ELECTR.BOARD WITH SENSOR HAL506 SF-K						
725	123030200	996530011182	RADIAL BEARING 61900.2RS1						
726	128381800	996530012374	STEEL CRINKLE WASHER 21,8X14X0,25						
727	142905450	996530015258	BLK UPPER BODY WITH COFFEE GROUND OUTLET						
728	11002613	996530001314	LOWER COFFEEGRINDER GEAR SUPPORT P124						
729	11002572	996530001308	COFFEEGRINDER REGULATION SPRING P124						
730	11003784	996530001907	COFFEE GRINDING ADJUSTMENT GEAR P0049						
731	11002508	996530001296	UPPER COFFEEGRINDER GEAR SUPPORT P124						
732	129914002	996530013165	SCREW TCB TORX 10 3,5X16 PLAST.ZN-B						
733	17001921	996530072477	BLK WIRING FIX INSERT FOR GRINDER BOARD						
	11023062	996530067517	GEN.COFFEE GRINDER MOTOR MDS ASSY.	230V					
	11025469	996530069907	GEN.COFFEE GRINDER MOTOR MDS ASSY.	120V					

GAGGIA®

GAGGIA BABILA

TABLE 7/9



GAGGIA®

RI9700/60-64



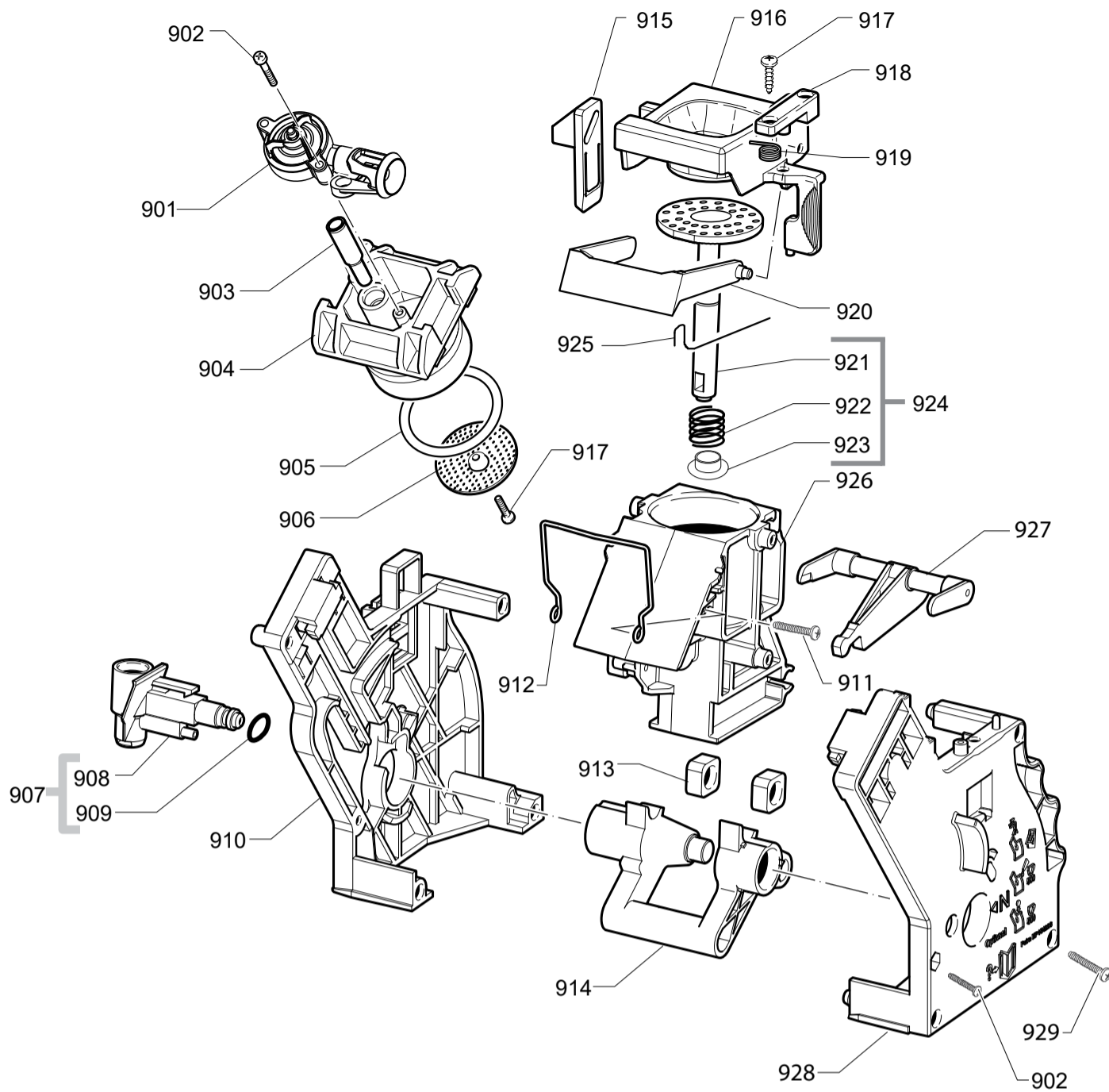
Cod.886970060010- 886970064540

POS	CODICE	12NC	DESCRIZIONE	NOTE	POS	CODICE	12NC	DESCRIZIONE	NOTE
801	11005060	996530002717	PIN V2 FOR BOILER P119 ASSY.						
802			NOT AVAILABLE	SEE POS 801					
803			NOT AVAILABLE	SEE POS 801					
804			NOT AVAILABLE	SEE POS 801					
805			NOT AVAILABLE	SEE POS 801					
806	140328059	996530013564	OR 2015 SILICONE PTFE/FDA						
807			NOT AVAILABLE	SEE POS 801					
808			NOT AVAILABLE	SEE POS 801					
809	NM01.035	996530059399	OR ORM 0090-20 SILICONE						
810	NM01.057	996530059419	OR ORM 0050-20 IN SILICONE						
811	11012337	996530006375	WATER DRAIN CONNECTOR MYB9						
812	NV99.087	996530059836	BAND D=11/11,6						
813	11013514	996530006796	BLACK MOUNTING PLATE COVER SEAL MYB9						
814		421946025541	MICROSWITCH XC/SM1 V2						
815	12000450	996530007819	SCREW TCBR TORX 10 3,5X12 PLAST.ZN-N						
816	140325462	996530013526	OR ORM 0070-20 SILICONE						
817	11023055	996530007566	BLACK STEAM BLOWDOWN 90° CONNECTOR MDS						
818	11003661	996530001819	REED SENSOR MK3-1A66-BV16451						
819	129913902	996530013164	SCREW TCB TORX 10 3X12 PLAST.ZN-B						
820	9161.132	996530050569	MYLAR WASHER FOR RATIOMOTOR						
821	9121.044	996530049896	ANTIVIBRATION FOR MOTOR						
822	9121.046	996530049898	BRONZE SINTERED BUSH FOR MOTOR RATIOMOT.						
823	11005214	996530002796	MOTOR FOR RATIOMOTOR P124 ASSY.						
824	148380200	996530017424	BAKELIZZATE WASHER D=5,5						
825	20000900	996530009913	SPARES KIT GEARS FOR RATIOMOTOR V2						
826		421944016781	SCREW TSP TORX 10 3,5X14 PLAST.ZN-NI						
827	142856550	996530015064	BLACK COVER FOR BOILER VAIN P119						
828	JS01.022	996530057357	SILICONE TUBE 5X10 60SH	IN ROLL					
829		421944059501	BLK/YLW BREW UNIT 8GR.SBS V3 MYB9						

GAGGIA®

GAGGIA BABILA

TABLE 8/9



GAGGIA®

RI9700/60-64



Cod.886970060010- 886970064540

POS	CODICE	12NC	DESCRIZIONE	NOTE	POS	CODICE	12NC	DESCRIZIONE	NOTE
901	11010660	996530005823	SBS VALVE STD ASSY.						
902	12000550	996530007838	SCREW TCB TORX 10 3X25 PLAST.SS						
903	11009276	996530005372	BLK COUNTER PISTON TUBE BREW UNIT S0053						
904	11001840	996530001046	BLACK COUNTER PISTON BREW UNIT 8GR.P124						
905	NM01.044	996530059406	OR ORM 0320-40 SILICONE PTFE/FDA						
906	9161.268	996530050709	PERCOLATOR DE=35,8 ELFO						
907	20000440	996530009825	BLACK WATER INLET SLEEVE BREW UNIT ASSY.						
908	9161.064.050	996530050488	BLACK WATER INLET SLEEVE BREW UNIT ROYAL						
909	NM02.007	996530059441	OR 2025 IN TERMOIL						
910	9161.375.050	996530050832	BLACK BREW UNIT REAR PLATE SMART						
911	129912521	996530013148	SCREW TCB TORX 10 3,5X14 PLAST.SS						
912	11001556	996530000898	SS BREW UNIT SPRING H=49 SMART						
913	9161.094.050	996530050539	BLACK BREW UNIT DRILLED BLOCK						
914		421944051231	YLW BREW UNIT ELBOW SHAFT M5000						
915		421944046931	YLW BREW UNIT COUPLING PLATE V2 SMART						
916	149261350	996530018241	BLACK HOPPER DOSER BREW UNIT SMART1						
917	12000895	996530007951	SCREW TSP TORX 10 3X10 PLAST.SS						
918		421944050711	YLW BREW UNIT HOPPER BLOCKING PLATE SMART						
919	9161.378	996530050838	SS HOPPER SPRING FOR BREW UNIT SMART						
920	11004161	996530002096	BLACK SCRAPER FOR BREW UNIT M5000						
921		421944025621	BLK BREW UNIT INTEGR.PISTON 8GR.V3 ASSY.						
922	9161.198	996530050627	SS.8GR.BREW UNIT PISTON SPRING						
923	9161.191	996530050618	WHITE 8GR.-12GR.BREW UNIT PISTON BUSH						
924		421944029791	BLK BREW UNIT 8GR.INT.PISTON GEN.V3 ASSY.						
925	9161.046	996530050455	SS SCRAPER SPRING FOR BREW UNIT						
926		421944014611	BLK COF.CONTAIN.BREW UNIT V2 M5000 ASSY.						
927	11003078	996530001452	BLACK CONNECTING ROD BREW UNIT 8GR.						
928	11005920	996530003228	BLACK BREW UNIT FRONT PLATE S/SCR.SMART						
929	12000897	996530007953	SCREW TCB TORX 10 3,5X20 PLAST.SS						
		421944059501	BLK/YLW BREW UNIT 8GR.SBS V3 MYB9						

GAGGIA®

GAGGIA BABILA

TABLE 9/9