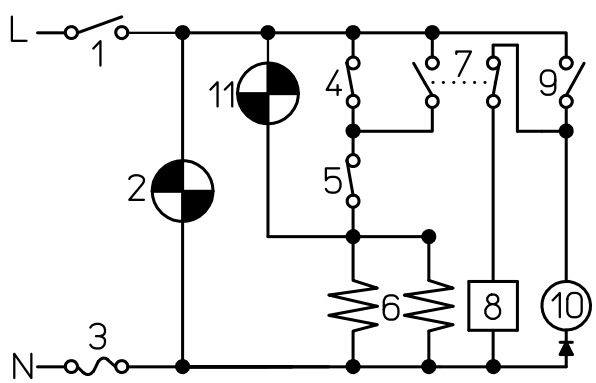


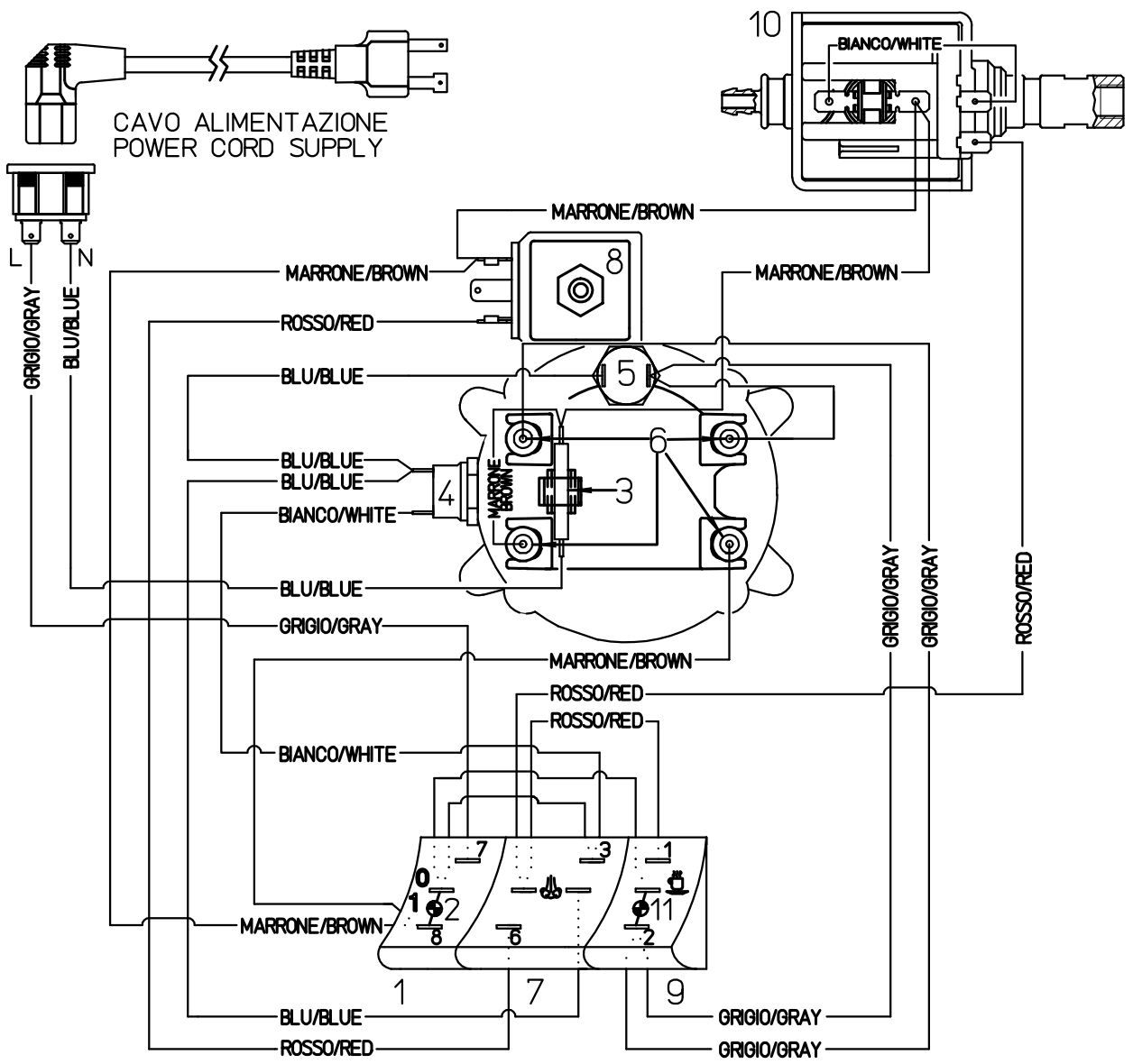
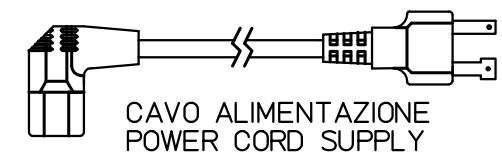
A4
UNI 936-86

VALIDO PER
PRODUZIONE

MATERIAL REV. 00



- 1 INTERRUTTORE GENERALE ON-OFF --- ON/OFF switch
- 2 SPIA MACCHINA ACCESA --- ON/OFF light
- 3 TERMOFUSIBILE --- Thermal cut off
- 4 TERMOSTATO CAFFE' --- Coffee thermostat
- 5 TERMOSTATO VAPORE --- Steam thermostat
- 6 RESISTENZA DI RISCALDAMENTO --- Heating element
- 7 DEVIATORE CAFFE' / VAPORE --- Coffee / steam switch
- 8 ELETTROVALVOLA --- Solenoid valve
- 9 INTERRUTTORE POMPA --- Coffee switch
- 10 POMPA --- Motor operated water pump
- 11 SPIA MACCHINA IN TEMPERATURA --- Pilot light



MODIFICATIONS: MODIFIED MARKED WITH:

⑦ _____

⑧ _____

⑨ _____

⑩ _____

⑪ _____

⑫ _____

MODIFICATIONS: MODIFIED MARKED WITH:

④ _____

⑤ _____

⑥ _____

① _____

② _____

③ _____



		DATE 22/10/09	SCALE x:x
		DRAWN BY BASSI F.	APPROVED PILONE A.
MATERIAL		GEN. TOLERAN.	VOLUME (mm ³)
HEAT TREATMENT	SURFACE FINISH	MOULD CODE	N° CAVITY
MODEL CA GAGGIA CLASSIC 120V		DRAWING REVISION 00	
DESCRIPTION SCHEMA CABLAGGIO E ELETT. CLASSIC COFFEE 120V WIRING AND ELECTR. DIAGRAM GAG. CLASSIC 120V		DRAWING CODE / ITEM CODE 17800009	

LA PROPRIETA' DI QUESTO DISEGNO E' RISERVATA A TERMINI DI LEGGE. E' VIETATO QUINDI RIPRODURLO E RENDERLO NOTO A TERZI.
THE PROPERTY OF THIS DRAWING IS RESERVED AND SUBJECT TO LAW. DISTRIBUTION AND REPRODUCTION TO OTHER PARTIES IS PROHIBITED.