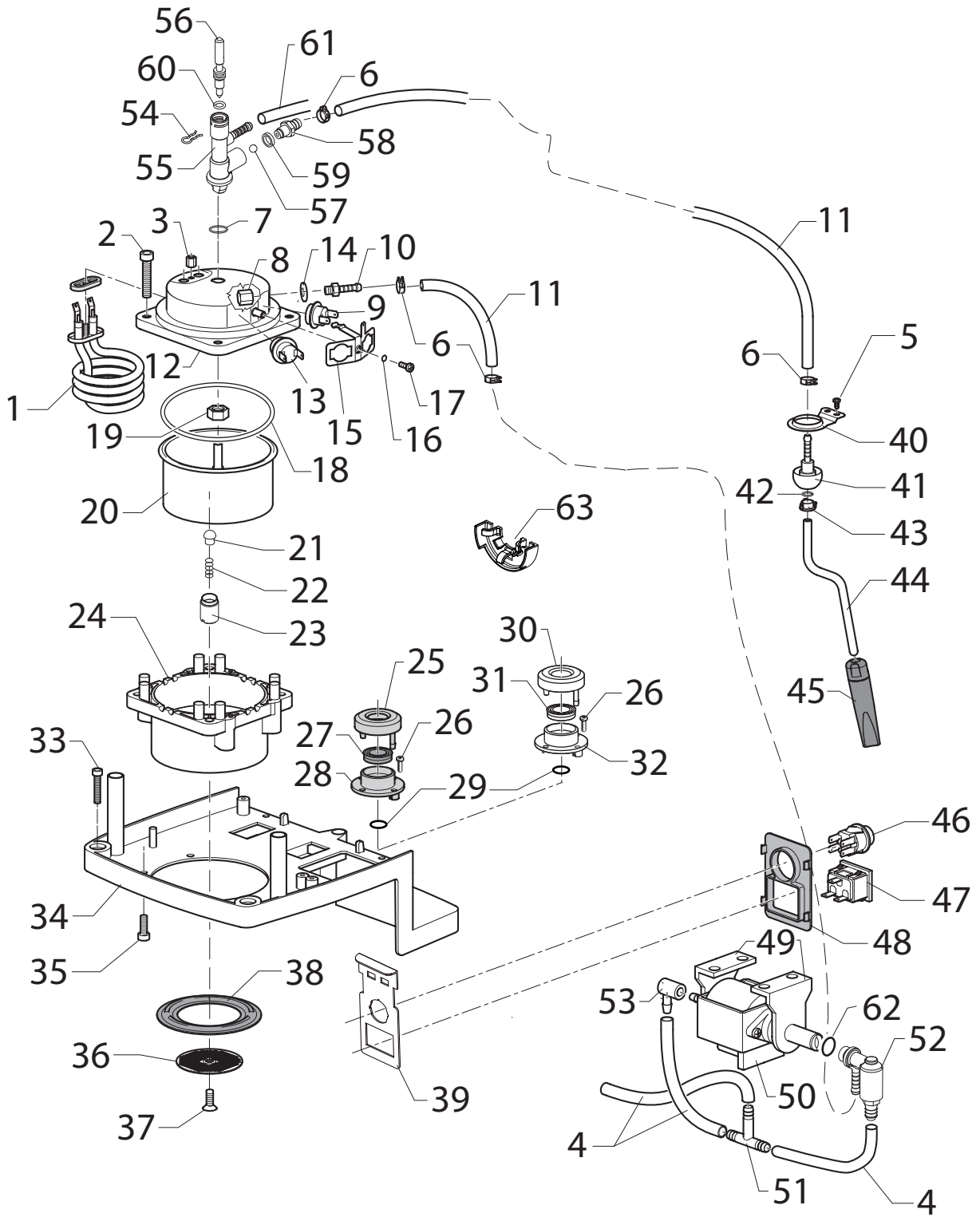


ER0270

NEW ESPRESSO06

Pos	Article-Nr.	Description	Pos	Article-Nr.	Description
1	4337026000	PS-E UPPER INTERNAL PACKING NEW ESPRESSO	40	4301006000	BLACK 2-WAY SPOUT
2	4337027000	PS-E UPPER INTERNAL PACKING NEW ESPRESSO	41	11008908	
3	4337028000	PACKAGE BOX - NEW ESPR.06 PURE/COLOR	41	4337024000	WIRING NEW ESPR.06 ASSY.
4	15001492	MANUAL GAG NEW ESPR06 BRA	42	DI7981P4.	SELF TAPPING GALV. SCREWPLAST
4	15002252	MANUAL V2 ESPR06 PURE/COLOR	43	4301007000	BLACK TWO WAY PIN
5	WGA2PR/1	SEPARATOR	44	11011693	PERFECT CREMA FILTER
6	NF08/002	1-CUP FILTER 5.5/6.5 GRS.	45	21000491	PERFECT CREMA FILTER KIT
7	NF08/005	TWO CUPS FILTER 12/14 GRS.			
8	11005535	FILTER FOR POD			
9	11007038	PERFECT CREMA FILTER D.0,6 MM.			
10	WGADM1017	MEASURE			
11	4337004000	GRID			
12	4337007000	TRAY			
12	11006932	TRAY - RED			
13	WGAFG0245	BLACK FOOT			
14	11005482	CAP FOR BOTTOM BODYWORK			
15	11006683	BLACK BODY S/SCREEN ESPR.PURE			
15	11006933	RED BODY S/SCREEN ESPR.COLOR			
16	11001985	BLACK POWER CABLE KOREA L=1200			
16	17800019	BLACK POWER CABLE BRAZIL L=1200			
16	17800330	BLACK POWER CABLE BRAZIL L=1200			
16	183911050	BLACK POWER CABLE SCHUKO L=1200			
16	183921950	POWER CABLE SJT3 USA BLACK UL L=1200			
16	183930650	POWER CABLE CH BLACK 3X1 H05VV-F L=1200			
16	183940650	BLACK POWER CABLE AUSTRALIA L=1200			
16	183970350	BLACK POWER CABLE UK L=1200			
17	12000782	GREEN LAMP 110V-240V			
18	4337018000	SWITCH BUTTON			
19	4337019000	KEYS SUPPORT			
20	5337002000	UNIPOLAR SWITCH			
21	8337008000	BLACK KEYBOARD COVER S/SCR.ESPR.06 ASSY.			
22	8337005000	STEAM KNOB ASSY.			
23	4337014000	MACHINE COVER BLACK			
23	11006935	BLACK MACHINE COVER ASSY.			
24	11005142	NAT/GREY WATER CONTAINER ASSY.			
25	4337012000	BLACK WATER CONTAINER HANDLE			
26	144650800	WHITE WATER CONTAINER EXT.FILTER			
26	224640200	WHITE WATER CONTAINER EXT.FILTER ASSY.			
27	140328461	EPDM OR METRIC 0190-10			
28	140324362	OR METRIC 0060-30 IN SILICONE			
29	126764718	SS WATER CONTAINER VALVE SPRING			
30	147660562	GREY PISTON FOR WATER CONTAINER VALVE			
31	11007400	BLACK WATER CONTAINER VALVE PISTON			
32	4337010000	TANK COVER			
33	DM0814	STEEL SPRING FOR KNOB TYMER			
34	11006030	FILTER BASKET (PLASTIC)			
35	18G1514	RETAINING - FILTER SPRING			
36	6301002000	CHROM/BRASS FILTER HOLDER CUP			
37	4332037000	KNOB FILTER HOLDER			
38	WGADM1319	GALV.SPECIAL SCREW M6X16			
39	4332038000	CAP KNOB FILTER HOLDER			



ER0270

NEW ESPRESSO06

Pos	Article-Nr.	Description	Pos	Article-Nr.	Description
1	11001002	HEAT ELEMENT SS.BOILER NEWGEN 230V-1000W	48	11006934	POWER INPUT MASK RED
1	11004509	HEAT ELEMENT SS.BOILER NEWGEN 120V-1000W	48	4337009000	POWER INPUT MASK
2	U023.022	SCREW TCEI M6,0X30 UNI 5931 8.8 ZNP	49	WGADY0003	BLACK PUMP SUPPORT ULKA
3	11001465	BRASS NUT FOR STAINL.STEEL NEWGEN BOILER	50	12000140	ULKA PUMP EP5/S GW 230V-50HZ
4	149361400	TRANSP.SILICONE TUBE 5X9 65SH IN ROLL	50	12000142	ULKA PUMP EAP5/S 120V-60HZ
5	DI7981P3.5X9.	SELF TAPPING GALV. SCREWPLAST	50	12000182	ULKA PUMP EP5/S GW 220V-60HZ
6	12000892	OETIKER CLAMP D=9,5 16700004	51	147920300	TRANS.CONNECTOR D=8 ART.80.26.047 KA.461
7	140323062	OR 2043 IN SILICONE	52	11004689	TEA/BRASS SAFETY VALVE 16-18 BAR ASSY.
8	11001000	TEA/BRASS NOZZLE SS.BOILER NEWGEN	52	11001007	BLACK VALVE SS.NEWGEN BOILER ASSY.
9	12001586	THERMOSTAT 95° ASAHI/SENSATA	53	147920150	90° INLET PUMP CONNECTOR
10	11000998	TEA/BRASS FAUCET CONNec.SS BOILER NEWGEN	53	DM1596	INLET FITTING
11	16000380	5X8,9 SILICONE TUBE IN ROLL	54	9011.144	SS FORK FOR TUBE D=4
12	11001462	STAINL.STEEL UPPER BOILER CASING NEWGEN	55	11007270	TEA/BRASS FAUCET W/SELF-PRIM.VALVE
13	12001587	THERMOSTAT 127° ASAHI/SENSATA	56	11001003	BRASS FAUCET SHAFT SS.BOILER NEWGEN
14	NM01.028	OR 106 SILICONE	57	11008385	RED SILICONE 80SH SPHERE D=5
15	11000994	SS NEWGEN BOILER THERMOST.FIXING SPRING	57	WGAEF0061	BLACK VITON 85SH SPHERE D=5
16	128310304	WASHER UNI 8842 A3 BURNISHED	58	EF0099	TEABRASS SELF-PRIMING VALVE DISC.FITTING
17	129821402	TCB SCREW M3X4 UNI 7687 ZNP	59	EF0111	GASKET IN TEFLON
18	12000087	OR METRIC 0850-30 IN SILICONE	60	WGADM0041/0	OR 2018 IN VITON 70SH
19	123390109	TEA/BRASS NUT 1/8 GAS H=6 CH=14	61	PA1062	TRANSP.SILICONE TUBE 5X9 L=350 MM
20	11004588	SS.LOWER BOILER CASING NEWGEN/BASE ASSY.	62	140321961	OR 2031 IN TERMOIL
21	EF0012	SEAL FOR VALVE	63	11022321	BLACK SUPPORT R15 FOR SILICONE TUBE
22	EF0013	SS SPRING 5-7 BAR FOR BOILER VALVE			
23	11000996	TEABRASS VALVE HOLD SCREW SS.BOIL.NEWGEN			
24	11009073	FILTERH.RETAIN.RING SS.BOILER NEWGEN S/S			
24	11005079	FILTERH.RETAINING RING SS.BOILER NEWGEN			
25	0701.031.150	GREY WATER VALVE GACO DIM 14 SEAL COVER			
26	129535721	SCREW TSP TORX 10 AB 3,5X9,5 SHEET SS			
27	145842900	NBR WATER CONT.VALVE GACO DIM14 SEAL			
28	0701.014.150	GREY WATER VALVE GACO DIM 14 SEAL CONT.			
29	140320461	OR ORM 0080-20 IN TERMOIL			
30	11007402	BLACK SEAL COVER			
31	11007403	WATER CONTAIN.VALVE SEAL GACO DIM14			
32	11007401	BLK WATER VALVE GACO DIM 14 SEAL CONT.			
33	DI7981P4.	SELF TAPPING GALV. SCREWPLAST			
34	4337008000	COMPONENTS PLATE			
35	UN5931-5X12I	SS SCREW M 5X12			
36	11001471	PERCOLATOR DE =49,5 SS BOILER NEWGEN			
37	DI7987-5X8I	SCREW TSP M5X8 UNI 7688 DIN 965 INOX			
38	11004543	FILTERHOLD.SEAL SS.BOILER NEWGEN/BASE			
39	4337005000	SS POWER SUPPORT BRACKET ESPR.06			
40	4332055000	SUPPORT FOR SPHERAL UNION			
41	4332049000	UNION SPHERAL GRIVORY			
42	DM0041/088	O-RING GASKET 2025 EPDM			
43	4332050000	COUPLING FOR SPHERIC UNION			
44	AM0011/01	CHROM.LOWER STEAM TUBE			
45	227431350	BLACK/BLACK PANNARELLO G100 ASSY.			
46	5332004000	ON-OFF BIPOL.SWITCH RFIT122C1N2X001			
47	DM1563/GW	PLUG SELF-LOCKING THREE-POLE (STS3			
47	12000280	CUP SOCKET EN 60320 C 13			
47	NE13.013	CUP SOCKET EN 60320 C 13			