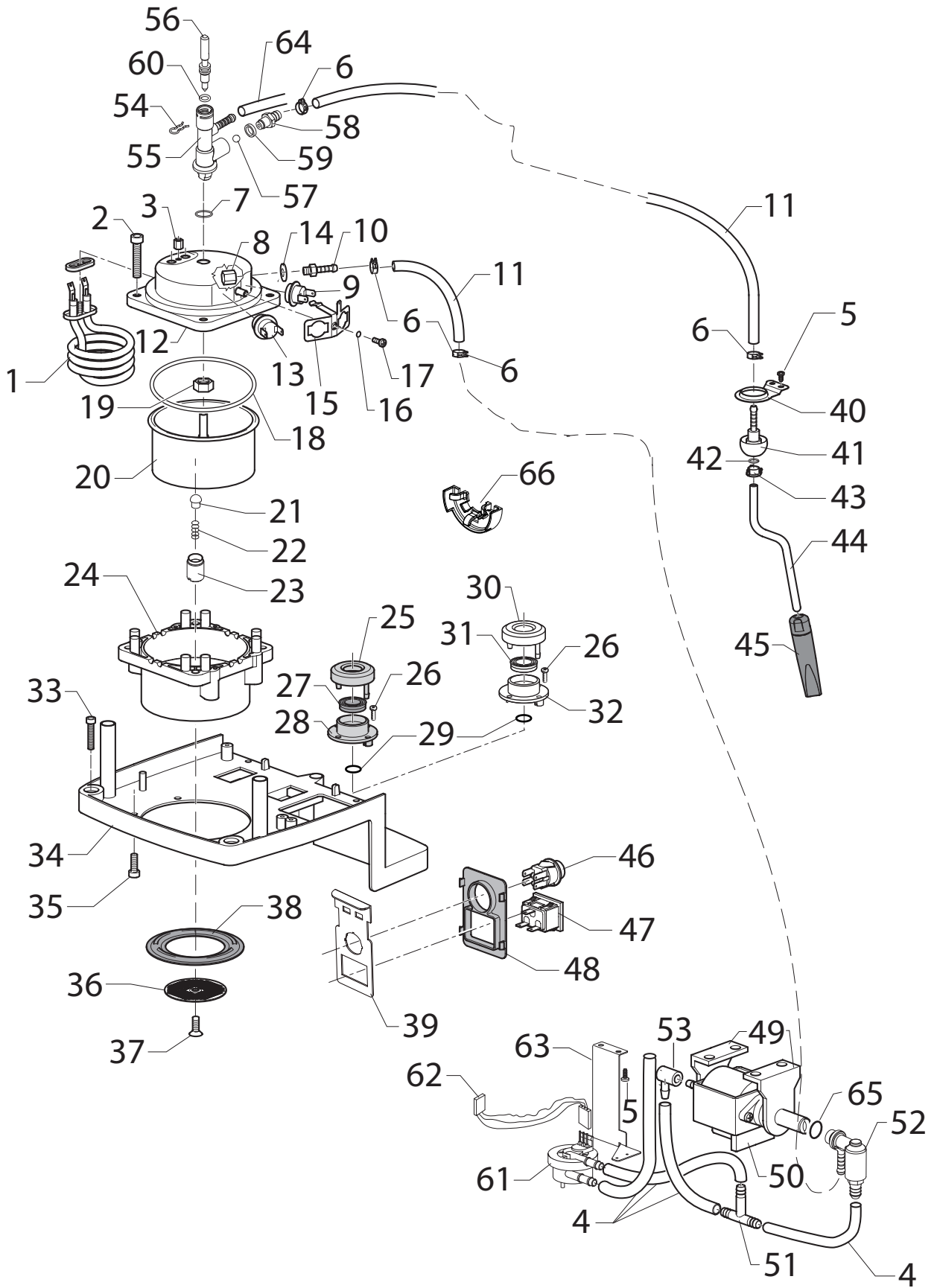


ER0271

NEW ESPRESSO06 DOS, NEW

Pos	Article-Nr.	Description	Pos	Article-Nr.	Description
1	4337026000	PS-E UPPER INTERNAL PACKING NEW ESPRESSO	43	4337015000	ELECTRONIC BOARD SUPPORT ESPR.06 DOSE
2	4337027000	PS-E UPPER INTERNAL PACKING NEW ESPRESSO	43	11009108	ELECTRONIC BOARD SUPPORT ESPR.06 DOSE
3	4337032000	PACKAGE BOX - NEW ESPR.06 AUTOMATIC	44	4337038000	ELECTRONIC BOARD - NEW ESPR. AUTOM.
4	15002253	MANUAL V2 ESPR06 DOSE	44	11007802	CPU+SW AS.NEW ESPR.06 DOSE 115V
4	15002731	MANUAL V2 ESPR06 DOSE BRA	45	11006742	LIGHT KEY SILVER
4	15003025	MANUAL V2 ESPR06 DOSE KOR	46	DI7981P2.9X6.	2,9X6,5 SELF TAPPING SCREWPLAS
5	WGA2PR/1	SEPARATOR	47	11005117	ASSEMBLY KEYBOARD COFFEE + SILICON
6	NF08/002	1-CUP FILTER 5.5/6.5 GRS.	48	4301007000	BLACK TWO WAY PIN
7	NF08/005	TWO CUPS FILTER 12/14 GRS.	49	11011693	PERFECT CREMA FILTER
8	11005535	FILTER FOR POD	50	21000491	PERFECT CREMA FILTER KIT
9	11007038	PERFECT CREMA FILTER D.0,6 MM.			
10	WGADM1017	MEASURE			
11	4337004000	GRID			
12	6337007000	TRAY - SILVER P8002C			
13	WGAFG0245	BLACK FOOT			
14	11005482	CAP FOR BOTTOM BODYWORK			
15	6337006000	SILVER/8002C BODY S/SCREEN ESPR.DOSE			
16	11001985	BLACK POWER CABLE KOREA L=1200			
16	17800330	BLACK POWER CABLE BRAZIL L=1200			
16	183911050	BLACK POWER CABLE SCHUKO L=1200			
16	183921950	POWER CABLE SJT3 USA BLACK UL L=1200			
16	183930650	POWER CABLE CH BLACK 3X1 H05VV-F L=1200			
16	183940650	BLACK POWER CABLE AUSTRALIA L=1200			
16	183970350	BLACK POWER CABLE UK L=1200			
17	5337001000	LIGHT 33.2C W/GREEN LED			
18	6337018000	SWITCH BUTTON - SILVER P8002C			
19	4337020000	KEYS SUPPORT - AUTOMATIC			
20	5337002000	UNIPOLAR SWITCH			
21	8337010000	160/BEIGE KEYBOARD COVER DOSE S/SCR.ASSY			
22	8337005000	STEAM KNOB ASSY.			
23	8337007000	160/BEIGE MACHINE COVER ASSY.			
24	11005142	NAT/GREY WATER CONTAINER ASSY.			
25	4337012000	BLACK WATER CONTAINER HANDLE			
26	224640200	WHITE WATER CONTAINER EXT.FILTER ASSY.			
27	140328461	EPDM OR METRIC 0190-10			
28	140324362	OR METRIC 0060-30 IN SILICONE			
29	126764718	SS WATER CONTAINER VALVE SPRING			
30	147660562	GREY PISTON FOR WATER CONTAINER VALVE			
31	11007400	BLACK WATER CONTAINER VALVE PISTON			
32	4337010000	TANK COVER			
33	DM0814	STEEL SPRING FOR KNOB TYMER			
34	11006030	FILTER BASKET (PLASTIC)			
35	18G1514	RETAINING - FILTER SPRING			
36	6301002000	CHROM/BRASS FILTER HOLDER CUP			
37	4332037000	KNOB FILTER HOLDER			
38	WGADM1319	GALV.SPECIAL SCREW M6X16			
39	4332038000	CAP KNOB FILTER HOLDER			
40	4301006000	BLACK 2-WAY SPOUT			
41	11009047	SILVER GEN.WIRING NEW ESP06 DOSE UL ASSY			
41	8337011000	SILVER GEN.WIRING NEW ESPR.06 DOSE ASSY.			
42	DI7981P4. 2X167	SELF TAPPING GALV. SCREWPLAST			



ER0271

NEW ESPRESSO06 DOS, NEW

Pos	Article-Nr.	Description	Pos	Article-Nr.	Description
1	11001002	HEAT ELEMENT SS.BOILER NEWGEN 230V-1000W	49	WGADY0003	BLACK PUMP SUPPORT ULKA
1	11004509	HEAT ELEMENT SS.BOILER NEWGEN 120V-1000W	50	12000140	ULKA PUMP EP5/S GW 230V-50HZ
2	U023.022	SCREW TCEI M6,0X30 UNI 5931 8.8 ZNP	50	12000142	ULKA PUMP EAP5/S 120V-60HZ
3	11001465	BRASS NUT FOR STAINL.STEEL NEWGEN BOILER	50	12000182	ULKA PUMP EP5/S GW 220V-60HZ
4	149361400	TRANSP.SILICONE TUBE 5X9 65SH IN ROLL	51	147920300	TRANS.CONNECTOR D=8 ART.80.26.047 KA.461
5	DI7981P3.5X9. 57	SELF TAPPING GALV. SCREWPLAST	52	11004689	TEA/BRASS SAFETY VALVE 16-18 BAR ASSY.
6	12000892	OETIKER CLAMP D=9,5 16700004	53	147920150	90° INLET PUMP CONNECTOR
7	140323062	OR 2043 IN SILICONE	54	9011.144	SS FORK FOR TUBE D=4
8	11001000	TEA/BRASS NOZZLE SS.BOILER NEWGEN	55	11007270	TEA/BRASS FAUCET W/SELF-PRIM.VALVE
9	12001586	THERMOSTAT 95° ASAHI/SENSATA	56	11001003	BRASS FAUCET SHAFT SS.BOILER NEWGEN
10	11000998	TEA/BRASS FAUCET CONNEC.SS BOILER NEWGEN	57	11008385	RED SILICONE 80SH SPHERE D=5
11	16000703	PLATINIC SILICONE TUBE 5X9,1 IN ROLL	58	EF0099	TEABRASS SELF-PRIMING VALVE DISC.FITTING
12	11001462	STAINL.STEEL UPPER BOILER CASING NEWGEN	59	EF0111	GASKET IN TEFLON
13	12001587	THERMOSTAT 127° ASAHI/SENSATA	60	WGADM0041/0	OR 2018 IN VITON 70SH
14	NM01.028	OR 106 SILICONE	61	NV99.099	TURBINE D=1,2 932-8521/00 ASSY.
15	11000994	SS NEWGEN BOILER THERMOST.FIXING SPRING	62	8332009000	CONNECTOR FOR TURBINE NEW ESPR.06
16	128310304	WASHER UNI 8842 A3 BURNISHED	62	11009100	
17	129821402	TCB SCREW M3X4 UNI 7687 ZNP	63	4332090000	SUPPORT TURBINE
18	12000087	OR METRIC 0850-30 IN SILICONE	64	PA1062	TRANSP.SILICONE TUBE 5X9 L=350 MM
19	123390109	TEA/BRASS NUT 1/8 GAS H=6 CH=14	65	140321961	OR 2031 IN TERMOIL
20	11004588	SS.LOWER BOILER CASING NEWGEN/BASE ASSY.	66	11022321	BLACK SUPPORT R15 FOR SILICONE TUBE
21	EF0012	SEAL FOR VALVE			
22	EF0013	SS SPRING 5-7 BAR FOR BOILER VALVE			
23	11000996	TEABRASS VALVE HOLD SCREW SS.BOIL.NEWGEN			
24	11005079	FILTERH.RETAINING RING SS.BOILER NEWGEN			
24	11009073	FILTERH.RETAIN.RING SS.BOILER NEWGEN S/S			
25	0701.031.150	GREY WATER VALVE GACO DIM 14 SEAL COVER			
26	129535721	SCREW TSP TORX 10 AB 3,5X9,5 SHEET SS			
27	145842900	NBR WATER CONT.VALVE GACO DIM14 SEAL			
28	0701.014.150	GREY WATER VALVE GACO DIM 14 SEAL CONT.			
29	140320461	OR ORM 0080-20 IN TERMOIL			
30	11007402	BLACK SEAL COVER			
31	11007403	WATER CONTAIN.VALVE SEAL GACO DIM14			
32	11007401	BLK WATER VALVE GACO DIM 14 SEAL CONT.			
33	DI7981P4. 24167	SELF TAPPING GALV. SCREWPLAST			
34	4337008000	COMPONENTS PLATE			
35	UN5931-5X12I	SS SCREW M 5X12			
36	11001471	PERCOLATOR DE =49,5 SS BOILER NEWGEN			
37	DI7987-5X8I	SCREW TSP M5X8 UNI 7688 DIN 965 INOX			
38	11004543	FILTERHOLD.SEAL SS.BOILER NEWGEN/BASE			
39	4337005000	SS POWER SUPPORT BRACKET ESPR.06			
40	4332055000	SUPPORT FOR SPHERAL UNION			
41	4332049000	UNION SPHERAL GRIVORY			
42	DM0041/088	O-RING GASKET 2025 EPDM			
43	4332050000	COUPLING FOR SPHERIC UNION			
44	AM0011/01	CHROM.LOWER STEAM TUBE			
45	227431350	BLACK/BLACK PANNARELLO G100 ASSY.			
46	5332004000	ON-OFF BIPOL.SWITCH RFIT122C1N2X001			
47	12000280	CUP SOCKET EN 60320 C 13			
47	DM1563/GW	PLUG SELF-LOCKING THREE-POLE (STS3			
48	11005143	POWER INPUT MASK SILVER P8002C			