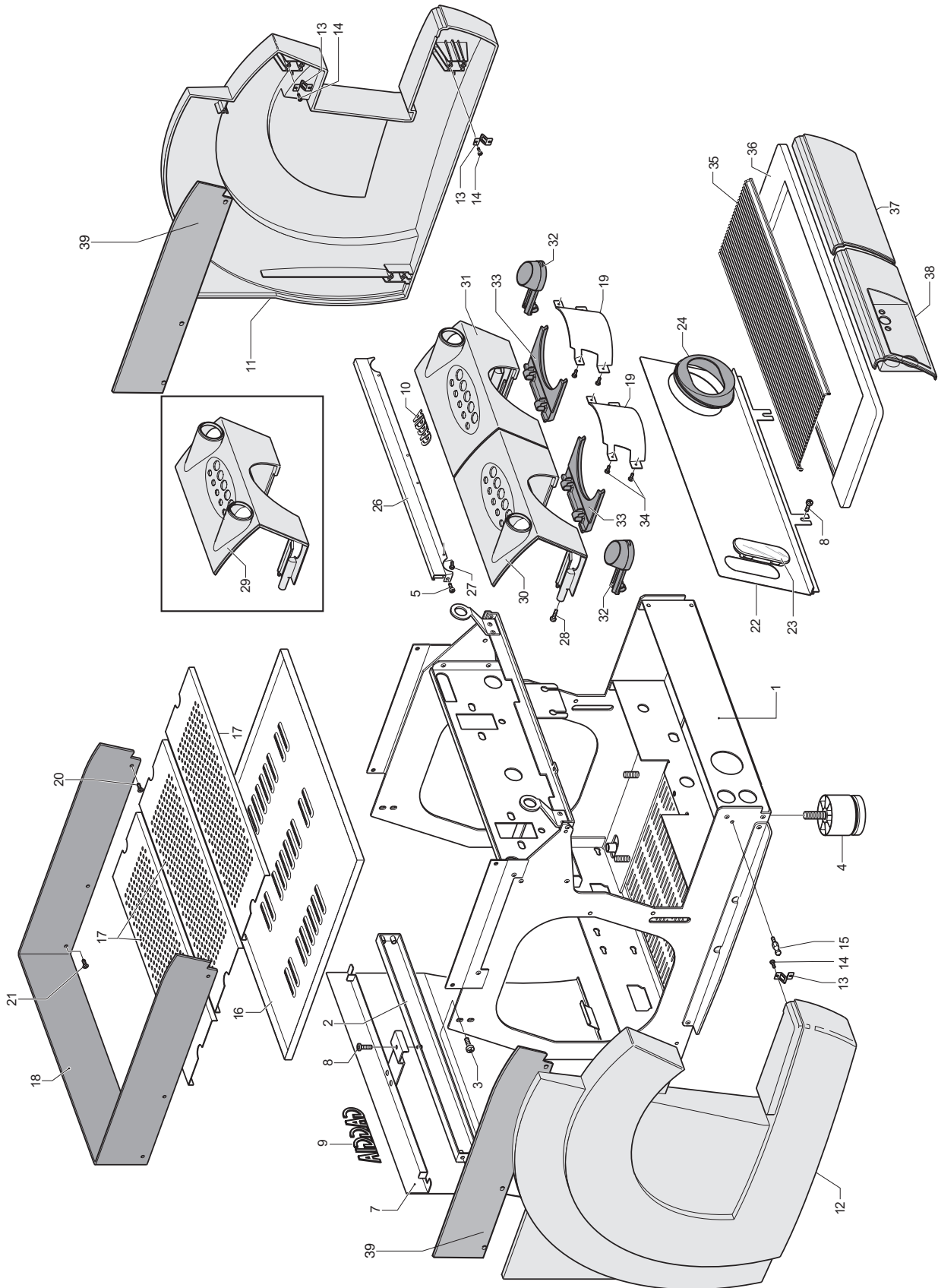


CARROZZERIA GD COMPACT

Tavola 1 / 7



CARROZZERIA GD**Tavola 1 /7**

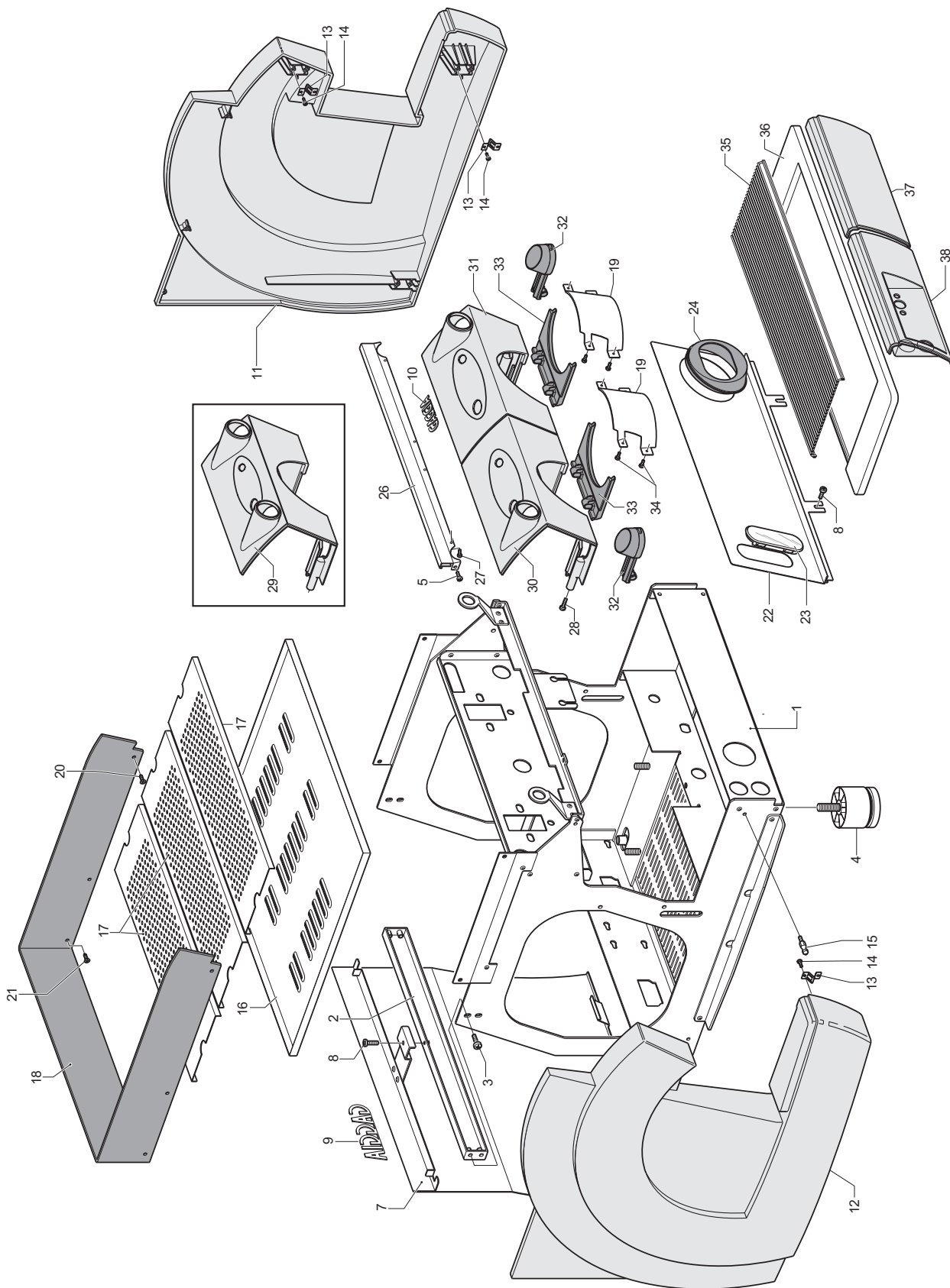
Pos	Part N°	Descrizione particolare (ITA)	Description of Parts (ENG)	Note
1	11011859	ASS.TELAIO 1GR COMPACT UL	ASS.LOOM 1 UNIT COMPACT UL	
1	11011903	ASS.TELAIO 2GR COMPACT UL	ASS.LOOM 2 UNIT COMPACT UL	
2	WGA8009005001	GRUPPO TRAVERSA SUPER.POST.1GR.	UPPER INTERIOR CROSS-BRACE 1 HEAD	
2	WGA8009005002	GRUPPO TRAVERSA SUPER.POST.2GR.	UPPER INTERIOR CROSS-BRACE 2 HEAD	
3	WGADI7986-5X14Z	VITE M 5X14 ZINCATA (DIN7985/UNI7687)	SCREWS M 5X14 GALVANISED (DIN7985/U	
4	WGA5011001000	PIEDINO ACCIAIO INOX	STAINLESS STEEL FOOT	
5	DI7987-4X10I	VITE M 4X10 INOX (UNI7688)	4X10 S.S. SCREW	
7	8009004001	ASS.CHIUSURA POST.1GR.ROSSO	BACK RED 1 HEAD	
7	8009004002	ASS.CHIUSURA POST.2GR.ROSSO	BACK RED 2 HEADS	
7	8009004021	ASS.CHIUSURA POST.1GR.ARGENTO	BACK SILVER 1 HEAD	
7	8009004022	ASS.CHIUSURA POST.2GR.ARGENTO	BACK SILVER 2 HEADS	
8	WGADI7986-5X10I	VITE M 5X10 INOX (DIN7985/UNI7687)	SCREWS M 5X10 ST.STEEL (DIN7985/UNI	
9	4001145000	MARCHIO GAGGIA H.34	GAGGIA TRADEMARK H.34	
10	4001146000	MARCHIO GAGGIA H.20	Emblem GAGGIA L= 75mm	
11	11011910	FIANCATA DX GAGGIA SILVER UL	RIGHT SIDE GAGGIA SILVER UL	CSA
11	6001003000	FIANCHETTO DX ROSSO	RIGHT SIDE RED	
11	6001003020	FIANCHETTO DX ARGENTO	RIGHT SIDE SILVER	
12	11011912	FIANCATA SX GAGGIA SILVER UL	LEFT SIDE GAGGIA SILVER UL	CSA
12	6001004000	FIANCHETTO SX ROSSO	LEFT SIDE RED	
12	6001004020	FIANCHETTO SX ARGENTO	LEFT SIDE GRAY	
13	WGA5001004000	MOLLA ATTAC.RAP.OTECO C 4413	Snap Fitting Spring	
14	DI7981P3.5X13Z	VITE AF 3,5X13 ZINCATA X MAT.P	SELF TAPPING GALV. SCREWPLAST	
15	WGA5001003000	INSERTO FILETTATO OTECO R 6486	Insert for Snap Fitting Spring	
16	WGA8009007001	GRUPPO BACINELLA SCALDATAZZE 1 GR.	1 HEAD CUPREST DRIP PAN	
16	WGA8009007002	GRUPPO BACINELLA SCALDATAZZE 2 GR.	2 HEAD CUPREST DRIP PAN	
17	WGA4009012001	GRIGLIA SCALDATAZZE 1 GR.	1 HEAD CUPWARMER GRILL	
17	WGA4009012002	GRIGLIA SCALDATAZZE 2 GR.	2 HEAD CUPWARMER GRILL	
18	4009016001	CRESTINA SCALDATAZZE 1 GR.	CENTRAL 1 HEAD CUPWARMER	
18	4009016002	CRESTINA SCALDATAZZE 2 GR.	CENTRAL 2 HEADS CUPWARMER	
19	4001029000	COPERTURA GRUPPO	GROUP COVER	
20	WGA5001029000	VITE AF 4,0X16 WN 1411-KA40X16-ZBC	SELF-T.SCREWS 4.0X16 WN 1411-KA40X16	
21	5001029010	VITE AF 4,0X10 WN 1411-KA40X10-ZBC	SELF-T.SCREWS 4.0X12 WN 1411-KA40X12	
22	4009015001	PANNELLO FRONTALE 1GR.	1 HEAD FRONT PANEL	
22	4009015002	PANNELLO FRONTALE 2GR.	2 HEAD FRONT PANEL	
23	4001046000	COPERTURA LIVELLO	LEVELS COVER	
24	6001021000	COPERTURA MANOMETRO CROMATA	CHROMED PRESSURE GAUGE COVER	
26	4009011001	PROFILO SUPERIORE 1 GR.	UPPER 1 HEAD SECTION	
26	4009011002	PROFILO SUPERIORE 2 GR.	UPPER 2 HEAD SECTION	
27	DI7981P4.2X16Z	VITE AF 4,2X16 ZINCATA X MAT.P	SELF TAPPING GALV. SCREWPLAST	
28	DI7981P3.5X16Z	VITE AF 3,5X16 ZINCATA X MAT.P	SELF TAPPING GALV. SCREWPLAST	
29	11011914	FRONTALINO SUP.GD COMP.1GR SILVER UL	UPPER FRONT PANEL SILVER 1 UNIT UL	1GR. CSA
29	6009002000	FRONTAL.SUP.GD COMP.1GR.ROSSO	COMPLETE RED 1 HEAD GD UPPER FRONT	
29	6009002020	FRONTAL.SUP.GD COMP.1GR.ARGENTO	COMPLETE SILVER 1 HEAD GD UPPER FRO	
30	11011919	FRONTALINO SX SUP.GD ARGENTO UL	LEFT UPPER FRONT PANEL SILVER GD UL	2 GR. CSA
30	6001007000	FRONT.SUP.LAT.SX GD ROSSO	UPPER LFT FRONT SIDE GD RED	
30	6001007020	FRONT.SUP.LAT.SX GD ARGENTO	UPPER LEFT FRONT SILVER GD PANEL	
31	11011921	FRONTALINO DX SUP.GD SILVER UL	RIGHT UPPER FRONT PANEL SILVER GD UL	2 GR. CSA
31	6001019000	FRONT.SUP.DX GD COMPACT ROSSO	RIGHT UPPER RED GD COMPACT FRONT	
31	6001019020	FRONT.SUP.DX GD COMPACT ARGENTO	RIGHT UPPER SILVER GD COMPACT FRONT	
32	11011917	COPERCHIO LANCIA VAPORE GD GREZZO UL	STEAM DISTRIBUTOR COVER NO PAINT GD UL	CSA
32	4001049000	COPERCHIETTO LANCIA VAPORE	STEAM DISTRIBUTOR COVER	
33	11011916	COPERCHIO GRUPPO EROGAZIONE GD GREZZO UL	COVER FOR DISPENCER UNIT GD NO PAINT UL	CSA

Tavola 1 /7

Pos	Part N°	Descrizione particolare (ITA)	Description of Parts (ENG)	Note
33	4001047000	COPERCHIETTO GRUPPO	COVER FOR HEADS	
34	DI7981P3.5X9.5Z	VITE AF 3,5X9,5 ZINCATA X MAT.	SELF TAPPING GALV. SCREWPLAST	
35	4009017001	BACINELLA INFERIORE 1 GR.	LOWER 1 HEAD LOWER CUPREST DRIP PAN	
35	4009017002	BACINELLA INFERIORE 2 GR.	LOWER 2 HEAD LOWER CUPREST DRIP PAN	
36	WGA4009013001	GRIGLIA SOTTOTAZZA 1 GR.	1 HEAD CUPREST GRILL	
36	WGA4009013002	GRIGLIA SOTTOTAZZA 2 GR.	2 HEAD CUPREST GRILL	
37	11011923	FRONTALINO INF.GD SILVER UL	SILVER LOWER FRONT PANEL UL	CSA
37	8001081000	ASS.FRONT.INFERIORE ROSSO	RED LOWER FRONT	
37	8001081020	ASS.FRONT.INFERIORE ARGENTO	SILVER LOWER FRONT	
38	11011915	FRONTALINO INF.INT.1GR SILVER UL	LOWER FRONT PANEL 1 UNIT SILVER UL	1 GR. CSA
38	11011922	FRONTALINO INF. INTERR. GD SILVER UL	SILVER SWITCH LOWER FRONT UL	2 GR. CSA
38	8001084000	ASS.FRONT.INFER.INTERR.ROSSO	ASS.FRONT.LOWERINTERR.RED	
38	8001084020	ASS.FRONT.INFER.INTERR.ARGENTO	ASS.FRONT.LOWERINTERR.SILVER	
38	8009045000	ASS.FRO.INF.INTER.COMP.1GR.ROS.(1FOR		
38	8009045020	ASS.FRO.INF.INTER.COMP.1GR.ARG.(1FO		
39	11012315	PROTEZIONE LATERALE CRESTINA GAGGIA CSA	PROTECTION GAGGIA CSA	CSA

CARROZZERIA GE COMPACT

Tavola 2 / 7



CARROZZERIA GE**Tavola 2 / 7**

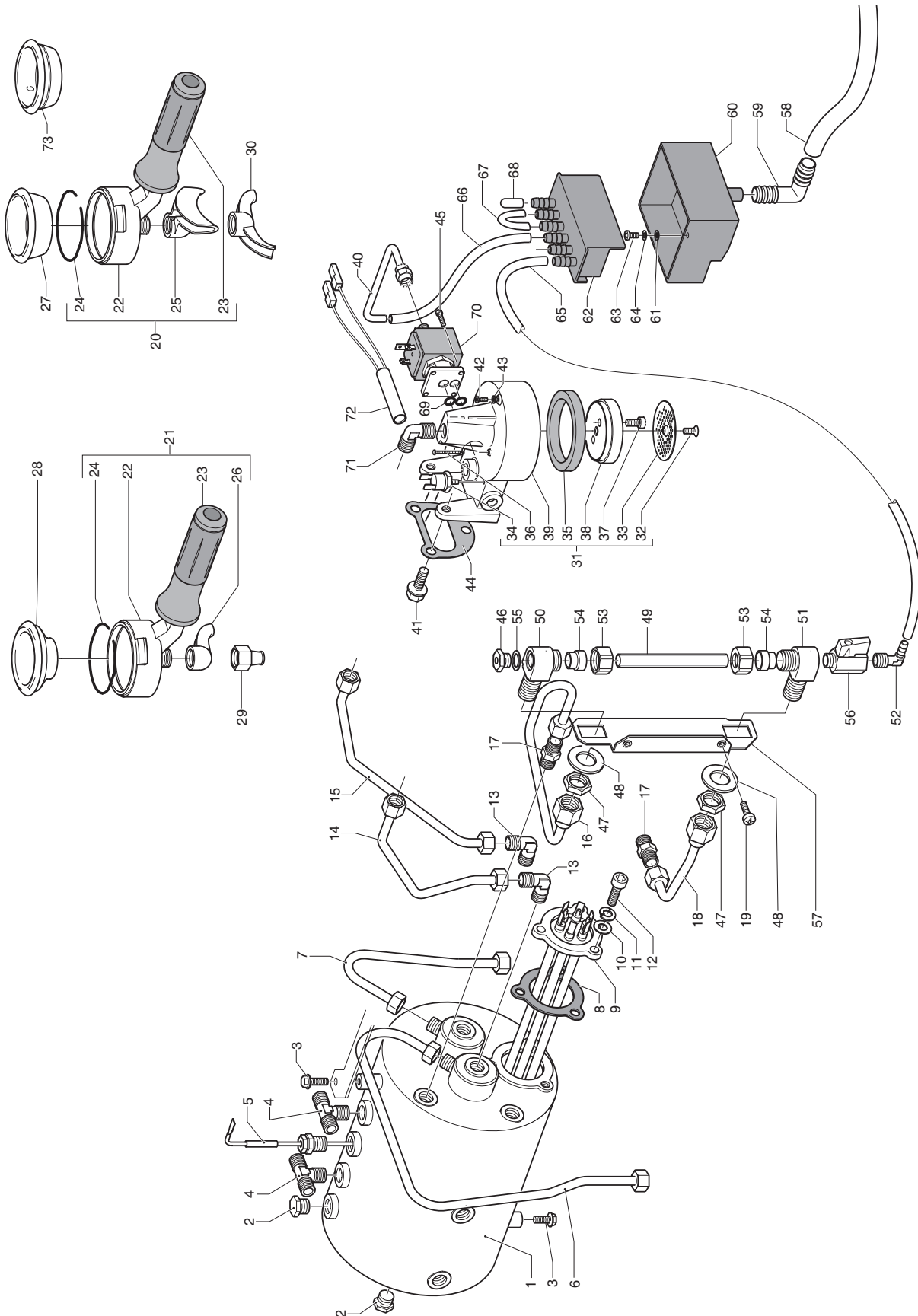
Pos	Part N°	Descrizione particolare (ITA)	Description of Parts (ENG)	Note
1	11011859	ASS.TELAIO 1GR COMPACT UL	ASS.LOOM 1 UNIT COMPACT UL	
1	11011903	ASS.TELAIO 2GR COMPACT UL	ASS.LOOM 2 UNIT COMPACT UL	
2	WGA8009005001	GRUPPO TRAVERSA SUPER.POST.1GR.	UPPER INTERIOR CROSS-BRACE 1 HEAD	
2	WGA8009005002	GRUPPO TRAVERSA SUPER.POST.2GR.	UPPER INTERIOR CROSS-BRACE 2 HEAD	
3	WGADI7986-5X14Z	VITE M 5X14 ZINCATA (DIN7985/UNI7687)	SCREWS M 5X14 GALVANISED (DIN7985/U	
4	WGA5011001000	PIEDINO ACCIAIO INOX	STAINLESS STEEL FOOT	
5	DI7987-4X10I	VITE M 4X10 INOX (UNI7688)	4X10 S.S. SCREW	
7	8009004001	ASS.CHIUSURA POST.1GR.ROSSO	BACK RED 1 HEAD	
7	8009004002	ASS.CHIUSURA POST.2GR.ROSSO	BACK RED 2 HEADS	
7	8009004021	ASS.CHIUSURA POST.1GR.ARGENTO	BACK SILVER 1 HEAD	
7	8009004022	ASS.CHIUSURA POST.2GR.ARGENTO	BACK SILVER 2 HEADS	
8	WGADI7986-5X10I	VITE M 5X10 INOX (DIN7985/UNI7687)	SCREWS M 5X10 ST.STEEL (DIN7985/UNI	
9	4001145000	MARCHIO GAGGIA H.34	GAGGIA TRADEMARK H.34	
10	4001146000	MARCHIO GAGGIA H.20	Emblem GAGGIA L= 75mm	
11	6001003000	FIANCHETTO DX ROSSO	RIGHT SIDE RED	
11	6001003020	FIANCHETTO DX ARGENTO	RIGHT SIDE SILVER	
12	6001004000	FIANCHETTO SX ROSSO	LEFT SIDE RED	
12	6001004020	FIANCHETTO SX ARGENTO	LEFT SIDE GRAY	
13	WGA5001004000	MOLLA ATTAC.RAP.OTECO C 4413	Snap Fitting Spring	
14	DI7981P3.5X13Z	VITE AF 3,5X13 ZINCATA X MAT.P	SELF TAPPING GALV. SCREWPLAST	
15	WGA5001003000	INSERTO FILETTATO OTECO R 6486	Insert for Snap Fitting Spring	
16	WGA8009007001	GRUPPO BACINELLA SCALDATAZZE 1 GR.	1 HEAD CUPREST DRIP PAN	
16	WGA8009007002	GRUPPO BACINELLA SCALDATAZZE 2 GR.	2 HEAD CUPREST DRIP PAN	
17	WGA4009012001	GRIGLIA SCALDATAZZE 1 GR.	1 HEAD CUPWARMER GRILL	
17	WGA4009012002	GRIGLIA SCALDATAZZE 2 GR.	2 HEAD CUPWARMER GRILL	
18	4009016001	CRESTINA SCALDATAZZE 1 GR.	CENTRAL 1 HEAD CUPWARMER	
18	4009016002	CRESTINA SCALDATAZZE 2 GR.	CENTRAL 2 HEADS CUPWARMER	
19	4001029000	COPERTURA GRUPPO	GROUP COVER	
20	WGA5001029000	VITE AF 4,0X16 WN 1411-KA40X16-ZBC	SELF-T.SCREWS 4.0X16 WN 1411-KA40X16	
21	5001029010	VITE AF 4,0X10 WN 1411-KA40X10-ZBC	SELF-T.SCREWS 4.0X12 WN 1411-KA40X12	
22	4009015001	PANNELLO FRONTALE 1GR.	1 HEAD FRONT PANEL	
22	4009015002	PANNELLO FRONTALE 2GR.	2 HEAD FRONT PANEL	
23	4001046000	COPERTURA LIVELLO	LEVELS COVER	
24	6001021000	COPERTURA MANOMETRO CROMATA	CHROMED PRESSURE GAUGE COVER	
26	4009011001	PROFILO SUPERIORE 1 GR.	UPPER 1 HEAD SECTION	
26	4009011002	PROFILO SUPERIORE 2 GR.	UPPER 2 HEAD SECTION	
27	DI7981P4.2X16Z	VITE AF 4,2X16 ZINCATA X MAT.P	SELF TAPPING GALV. SCREWPLAST	
28	DI7981P3.5X16Z	VITE AF 3,5X16 ZINCATA X MAT.P	SELF TAPPING GALV. SCREWPLAST	
29	6009003000	FRONTAL.SUP.GE COMP.1GR.ROSSO	COMPLETE RED 1 HEAD GE UPPER FRONT	
29	6009003020	FRONTAL.SUP.GE COMP.1GR.ARGENTO	COMPLETE SILVER 1 HEAD GE UPPER FRO	
30	6001006000	FRONT.SUP.LAT.SX GE ROSSO	UPPER LFT FRONT SIDE GE RED	
30	6001006020	FRONT.SUP.LAT.SX GE ARGENTO	UPPER LFT FRONT SIDE GE GRAY	
31	6001018000	FRONT.SUP.DX GE COMPACT ROSSO	RIGHT UPPER RED GE COMPACT FRONT	
31	6001018020	FRONT.SUP.DX GE COMPACT ARGENTO	RIGHT UPPER SILVER GE COMPACT FRONT	
32	4001049000	COPERCHIETTO LANCIA VAPORE	STEAM DISTRIBUTOR COVER	
33	4001047000	COPERCHIETTO GRUPPO	COVER FOR HEADS	
34	DI7981P3.5X9.5Z	VITE AF 3,5X9,5 ZINCATA X MAT.	SELF TAPPING GALV. SCREWPLAST	
35	4009017001	BACINELLA INFERIORE 1 GR.	LOWER 1 HEAD LOWER CUPREST DRIP PAN	
35	4009017002	BACINELLA INFERIORE 2 GR.	LOWER 2 HEAD LOWER CUPREST DRIP PAN	
36	WGA4009013001	GRIGLIA SOTTOTAZZA 1 GR.	1 HEAD CUPREST GRILL	
36	WGA4009013002	GRIGLIA SOTTOTAZZA 2 GR.	2 HEAD CUPREST GRILL	
37	8001081000	ASS.FRONT.INFERIORE ROSSO	RED LOWER FRONT	

Tavola 2 /7

Pos	Part N°	Descrizione particolare (ITA)	Description of Parts (ENG)	Note
37	8001081020	ASS.FRONT.INFERIORE ARGENTO	SILVER LOWER FRONT	
38	8001084000	ASS.FRONT.INFER.INTERR.ROSSO	ASS.FRONT.LOWERINTERR.RED	
38	8001084020	ASS.FRONT.INFER.INTERR.ARGENTO	ASS.FRONT.LOWERINTERR.SILVER	
38	8009045000	ASS.FRO.INF.INTER.COMP.1GR.ROS(1FOR		
38	8009045020	ASS.FRO.INF.INTER.COMP.1GR.ARG.(1FO		

CALDAIA - GRUPPO - LIVELLO

Tavola 3 / 7



CALDAIA - GRUPPO - LIVELLO
Tavola 3 / 7

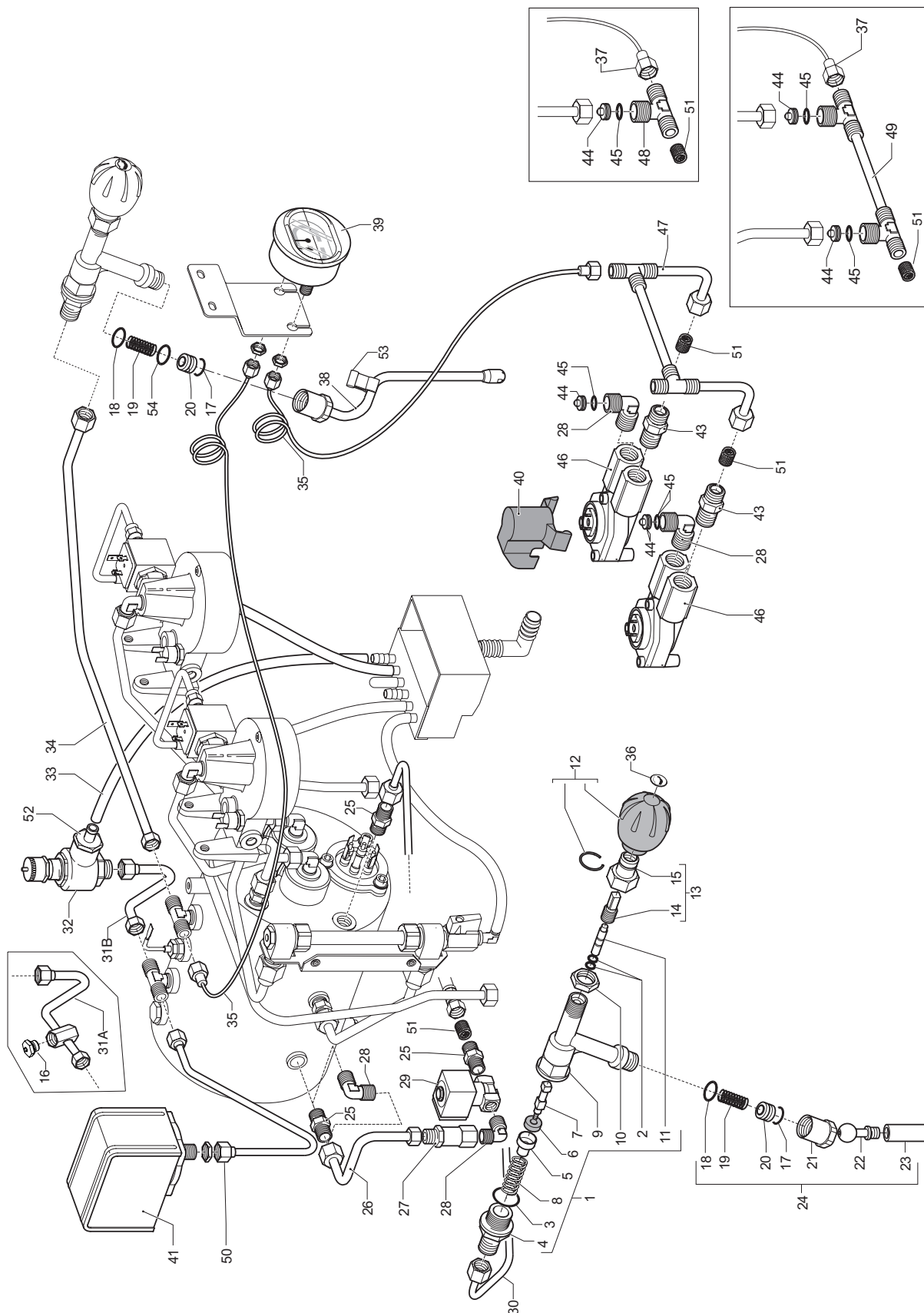
Pos	Part N°	Descrizione particolare (ITA)	Description of Parts (ENG)	Note
1	CA0448/01/A/PR	GRUPPO CALDAIA 1GR.TE-TD	GROUPS BOILER 1GR: TE-TD	
1	CA0448/02/A/PR	***GRUPPO CALDAIA 2GR.TE-TD	GROUPS BOILER 2GR. TE-TD	
2	WGACA0472	TAPPO 1/4 GAS	PLUG 1/4 GAS	
3	WGADM1319	VITE A TESTA ESAG.CON FINTA ROND.ZIGR.	6X16 GALVAN. SPECIAL SCREW	
4	WGANRC22/005	"RACCORDO T 1/4" MASCHIO CI.-CO."	"CONNECTION "T" 1/4"	
5	WGADM1614	SONDA LIVELLO CALDAIA TE-TD	BOILER LEVEL PROBE TE - TD	
6	WGA8009015000	TUBO DOSATORE-SCAMBIAT.1GR.	VOLUM.DOSER - EXCHANGER 1 HEAD TUBE	
6	WGA8009019000	TUBO DOSATORE-SCAMBIATORE 2GR.DX	DOSER PIPE 2GR.	
7	WGA8009020000	TUBO DOSATORE-SCAMBIATORE 2GR.SX	VOLUM.DOSER - EXCHANGER 2 HEAD LEFT	
8	4027001000	GUARNIZIONE PER FLANGIA RESISTENZA	RESISTOR GASKET REINZ	
9	11007056	RES.220/240V 2500/2975W COMP.GAGGIA	HEAT ELEM.220/240V 2500/2975W COMP.GAG.	
10	WGAUN6592-8Z	RONDELLA PIANA D.8 ZINCATA	NUT	
11	WGAUN1751-8Z	RONDELLA ELASTICA D.8 ZINCATA	RING NUT	
12	WGAUN5931-8X25I	VITE M 8X25 INOX	8X25 S.S. SCREW	
13	WGACA0490	RACCORDO PESCANTE	UPTAKE PIPE FITTING	
14	WGA8009016000	TUBO SCAMBIATORE-GRUPPO 1GR.	1 HEAD SHOWER HEAD EXCHANGER TUBE	
14	WGA8009022000	TUBO SCAMBIATORE-GRUPPO SX 2GR.	LEFT 2 HEAD EXCHANGER TUBE	
15	WGA8009023000	TUBO SCAMBIATORE-GRUPPO DX 2GR.	RIGHT 2 HEAD EXCHANGER TUBE	
16	WGA8009026000	TUBO LIVELLO SUPERIORE 2GR.	UPPER LEVEL 2 HEAD TUBE	
17	WGANRC11/000	"RACCORDO DOPPIO 1/4" M.CI.-1/4"	"Dual Coupling 3/8"	
18	WGA8009025000	TUBO LIVELLO INFERIORE 2GR.	LOWER LEVEL 2 HEAD TUBE	
19	WGADI7986-5X14Z	VITE M 5X14 ZINCATA (DIN7985/UNI7687)	SCREWS M 5X14 GALVANISED (DIN7985/U	
20	WGA8001060000	ASS.PORTAFILTRO A 2 VIE RAL7021	Complete 2-Cup Filter Unit	
21	WGA8001059000	ASS.PORTAFILTRO A 1 VIA RAL7021	Complete 1-Cup Filter Unit	
22	WGA26G0104	COPPA PORTAFILTRO	FILTER HOLDER CUP	
23	WGA8001061000	ASS.MANOPOLA PORTAFILTRO RAL7021	Filter Handle	
24	WGA26G0075	MOLLA PER PORTAFILTRO	FILTER HOLDER SPRING	
25	WGA6001023000	BECCUCCIO A 2 VIE	2-Cup Spout	
26	WGAAS0146/CL	BECCUCCIO 1 VIA LATERALE CROM.	1-Cup SpoutNG	
27	WGANF08/005/B	FILTRO A 2 TAZZE 12-14 GR.	2-Cup Filter 12-14 Grams	
28	WGANF08/002/B	FILTRO A 1 TAZZA 5.5/6.5 GR.	1-Cup Filter - 6 Grams	
28	WGANF08/004/B	FILTRO A 1 TAZZA 6-7 GR.	1-Cup Filter - 7 Grams	
29	WGA26G0112	BECCUCCIO 1 VIA DIRITTO-06501	06501 SPOUT 1 CUP STRAIGHT	
30	WGA6301004010	BECCUCCIO 2 VIE CROMATO	2-WAY SPOUT CHROME	
31	11012280	ASS.GRUPPO 240V PARKER UL	V 240 PARKER UNIT UL	CSA
31	WGA8001026010	ASS.GRUPPO V 230 PARKER	V 230 PARKER UNIT	
32	WGADI0964-5X8I	VITE M.5 X 8 INOX	M.5 x 8 Stainless Steel Screw	
33	WGADM0269	DOCCETTA	Outflow Dispersal Plate	
34	WGADM1561	TERMOSTATO CAFFE' T.103° OMOL.	Outflow Head Thermostat T 103°C	
35	WGANG01/001/B	GUARNIZIONE SOTTOCOPPA (8,5)	Filter Unit Gasket	
36	WGAUN1336-2X25Z	COPPIGLIA FORO 2 X 25 ZINCATA	RING NUT	
37	WGAUN5931-6X10I	VITE M 6X10 INOX	6X10 S.S. SCREW	
38	WGA16G1002	PORTADOCGETTA	FILTER HOLDER PLATE	
39	WGA6001015000	CORPO GRUPPO	Outflow Head Body	
40	WGA8001050000	TUBO DEPRESSIONAT.ELETTROV.GRUPPO	Solenoid Valve Depressurizing Tube	
41	WGADI6921-8X16Z	VITE M. 8 X 16 ZINCATA	SCREWS M 8X16 GALVANISED	
42	WGADI7986-4X10I	VITE M 4X10 INOX (DIN7985/UNI7687)	4X10 S.S. SCREW	
43	WGADI6798-4I	RONDELLA DENTELLATA D.4 INOX T	INDENTED WASHER D.4 INOX T	
44	WGA4001084000	DISTANZIALE GRUPPO	UNIT SPACE	
45	WGAUN5931-4X12I	VITE M 4X12 INOX	SCREWS M 4X12 ST.STEEL	
46	WGADM2186	VALVOLA ANTIDEPRESSIONE	Anti-Suction Valve	
47	WGAND01/005	"DADO 3/8" GAS"	Nut 3/8	

CALDAIA - GRUPPO - LIVELLO**Tavola 3 / 7**

Pos	Part N°	Descrizione particolare (ITA)	Description of Parts (ENG)	Note
48	WGAUN6592-17Z	RONDELLA PIANA D.17 ZINCATA	NUT	
49	WGA4001060000	VETRO LIVELLO	LIVEL GLASS	
50	WGA4001072000	CORPO LIVELLO SUPERIORE	UPPER BODY LEVEL	
51	WGA4001073000	CORPO LIVELLO INFERIORE	LOWER BODY LEVEL	
52	WGA4001074000	"GOMITO PORTAGOMMA 1/4""	"1/4" ELBOW HOSE FITTING"	
53	WGA4001075000	CALOTTA LIVELLO	LEVEL CUP	
54	WGA4001076000	GUARNIZIONE VETRO LIVELLO	SEAL	
55	WGA4001077000	GUARNIZIONE P.T.F.E. 13,5X18X2X2	SEAL	
56	WGA5001016000	RUBINETTO SCARICO	Water Level Indicator Drain Valve	
57	11010051	ASS.SUPPORTO LIVELLO CHIUSO	ASS.SUPPORT CLOSED LEVEL	CSA
57	WGA8001005000	SUPPORTO LIVELLO COMPLETO	MOTOR SUPPORT	
58	WGA5001024000	TUBO SCARICO	Drain Hose	
59	WGA5001021000	RACCORDO SCARICO VASCHETTA	Drain Tank Discharge Coupling	
60	WGA4001097000	VASCHETTA PER SCARICO	Drain Tank	
61	WGA4009036000	GUARNIZIONE PER VASCHETTA SCARICO	GASKET FOR DISCHARGE BASIN	
62	WGA4001099000	CHIUSURA VASCHETTA SCARICO	DRAIN TANK COVER	
63	DI7986-6X16I	VITE M 6X16 INOX (DIN7985/UNI7687)	SCREWS M 6X16 ST.STEEL (DIN7985/UNI	
64	WGADI9021-6I	RONDELLA PIANA D.6 INOX	IMPULSE COUNTER COMESTERO 6 NOS.	
65	WGADM2106/005	TUBO SL-NE 5X9X275 SILIC.	PIPE SL-NE 5X9X275 SILIC.	
66	WGADM2106/014	TUBO SL-NE 5X9X200 SILIC.	PIPE SL-NE 5X9X200 SILIC.	
67	WGADM2106/011	TUBO SL-NE 5X9X60 SILIC.	TUBE SL-NE 5X9X60 SILIC.	
68	WGADM1908	CAPPUCCIO IN SILICONE(cod.sovoco EC234)	SILICONE CUP	
69	WGADM0041/022	GUARNIZIONE OR 2025 SILIC.ROSS	Gasket OR 2025	
70	12001187	ELETTROV.3 VIE V 240/60 PARKER UL	Solenoid Valve V 240/60Hz UL	CSA
70	WGADM0647	ELETTROV.3 VIE V 230/50-60 PARKER	Solenoid Valve V 230 Hz 50-60	
71	WGANRC30/007	"RACCORDO GOMITO 1/4""M.CO.-1/4""	Elbow Coupling □	
72	11012527	RESISTENZA ULTRAWATT 80W 240V	Outflow Head Heating Element	CSA
72	WGADM2125/01	RESIST.A CARTUCCIA 80W 240V	Outflow Head Heating Element	
73	WGANF08/009/B	FILTRO PER DOPPIA CIALDA	Double Pod for 2-Cup Filter	

RUBINETTERIA - CARICO AUT.

Tavola 4 / 7



RUBINETTERIA - CARICO AUT.
Tavola 4 / 7

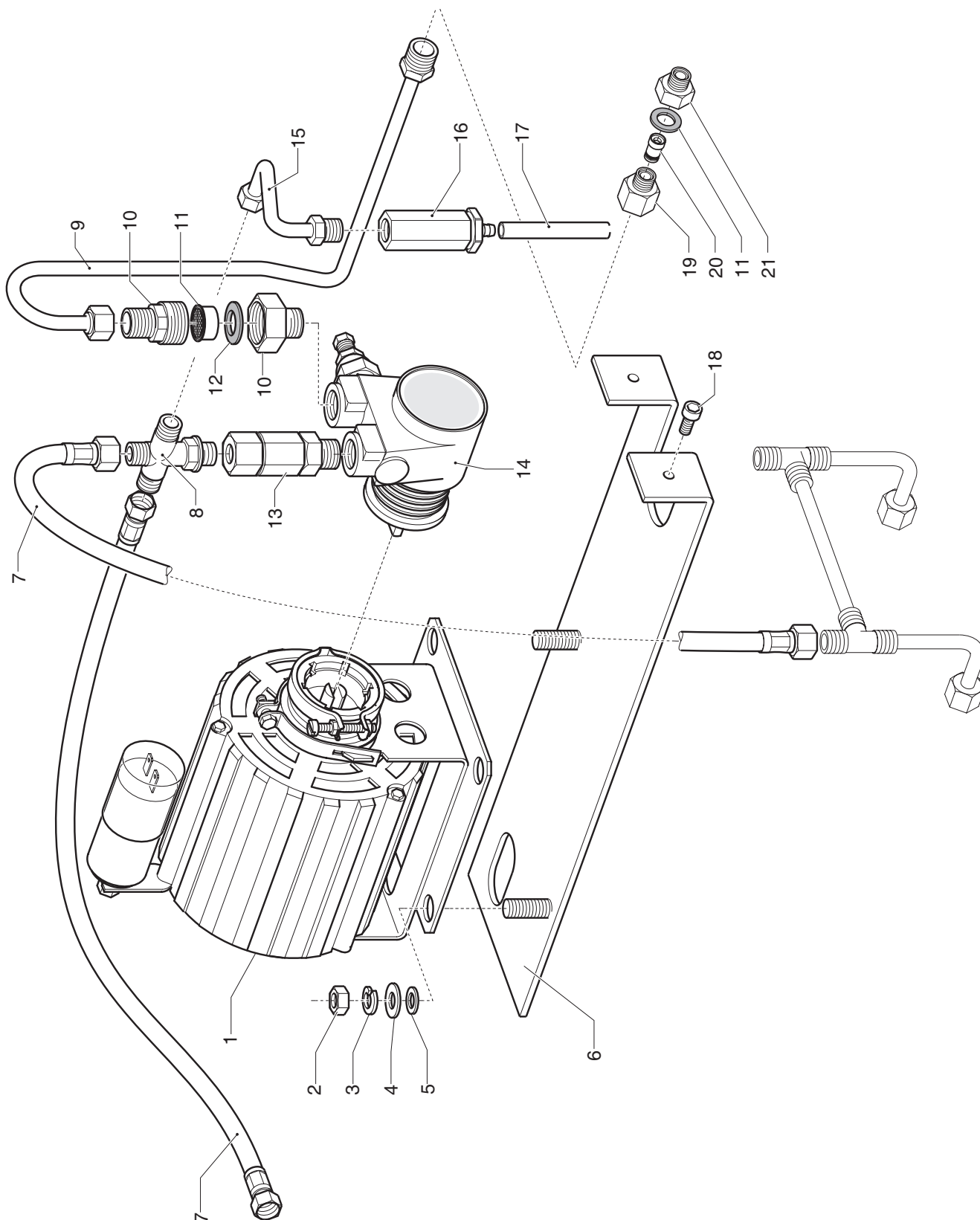
Pos	Part N°	Descrizione particolare (ITA)	Description of Parts (ENG)	Note
1	WGA8001027000	CORPO RUBINETTO COMPLETO	Complete Valve	
2	WGADM0041/032	GUARNIZIONE OR 2015 VITON 70°S	Gasket OR 2015	
3	WGADM0041/063	GUARNIZIONE OR 128 SILIC.ROSSO	Gasket OR 128	
4	WGARB0606/01	RACCORDO 3/8 GAS	"Coupling 3/8"	
5	WGARB0708	OTTURATORE	Pressure-Containing Member	
6	WGARB0709	GUARNIZIONE OTTURATORE	Pressure-Containing Member Gasket	
7	WGARB0710	ASTA OTTURATORE	Pressure-Containing Member Rod	
8	WGARB0712	MOLLA	Spring	
9	WGA6001002000	CORPO RUBINETTO	Valve Shell	
10	WGAND01/005	"DADO 3/8" GAS"	Nut 3/8	
11	WGARB0711	ASTINA COMANDO OTTURATORE	Control Rod	
12	WGA8001028000	ASS.MANOPOLA COMPLETA RAL7021	Knob Assembly	
13	WGARB0866/A	ASSIEME CALOTTA ASTA VOLANTINO	ASS.CAP	
14	WGARB0610/02	ASTA DEL VOLANTINO	Knob Shaft	
15	WGARB0721	CALOTTA RUBINETTO NICHELATA	GALV. VALVE CAP	
16	WGADM2186	VALVOLA ANTIDEPRESSIONE	Anti-Suction Valve	
17	WGADM0041/106	GUARNIZ. OR 115 VITON 70°SH	Gasket OR 115	
18	WGADM0041/107	GUARNIZ. OR 2062 VITON 70°SH	Gasket OR 2062	
19	WGARB0882	MOLLA X CALOTTA PREL.ACQUA	SPRING FOR CAP WATER-DRAWING	
20	WGARB0902	SCODELLINO DI TENUTA	SEAL CUP	
21	WGARB0881	CALOTTA PRELIEVO ACQUA	COFFEE CONT. ASS.DA 10P BROWN	
22	WGARB0880	SNODO TUBO ACQUA	ARTICULATION PIPE WATER	
23	RB0697/01	TROMBONCINO PREL.ACQUA L=25	PIPE DRAWING-WATER	
24	WGA7009002000	ASS.TROMBONCINO PRELIEVO ACQUA	HOT WATER UPTAKE TUBE ASSEMBLY	
25	WGANRC11/000	"RACCORDO DOPPIO 1/4" M.CI.-1/4"	"Dual Coupling 3/8"	2 GR.
26	WGA8009011000	TUBO DA ELETTROV.CARICO A CALD.1GR.	FEEDER SOLENOID VALVE -BOILER 1 HEA	
26	WGA8009030000	TUBO DA ELETTROV.CARICO A CALD.2GR.	FEEDER SOLENOID VALVE -BOILER 2 HEA	
27	WGADM1232/001	VALVOLA UNIDIREZIONALE	One-Way Valve	
28	8001099000	RACCORDO GOMITO 1/4 M.-1/4 M.-C/OR	"UNION ELBOW 1/4" M.-1/4" M.-W/OR"	
29	12001188	ELETTROV.2 VIE 240/60 PARKER D.1,5 UL	2-WAY SOLENOID VALVE V.240/60 D.1,5 UL	CSA
29	DM1197/220/5060	ELETTROV.2 VIE V 230/50-60 PARKER	2-WAY SOLENOID VALVE V.220-50/	
30	WGA8009009000	TUBO CALD.-RUB.PREL.ACQUA CALDA 1GR	BOILER-HOT WATER TAP UPTAKE TUBE 1	
30	WGA8009028000	TUBO DA CALD.A RUB.PREL.ACQUA 2GR	PIPE FROM BOILER TO DRAWING-WATER COCK	
31	WGA8009013000	TUBO CALD.-VALV.SFIATO/SICUR.1GR.	BOILER-VENT/SAFETY VALVE TUBE 1 HEA	
31	WGA8009027000	TUBO VALVOLA SICUREZZA 2GR.	2 HEAD SAFETY VALVE TUBE	
32	12001191	VALVOLA DI SICUREZZA ASME D10/C SEMPLICE	SAFETY VALVE ASME D10/C	CSA
32	WGADM2184/A	ASS.VALV.SICUR.CONV.(1,8) SV10/C-SV10/C	SAFETY VALVE SET.CONVEYOR (1.8)	
33	WGADM1860/004	TUBO SL-NE 8X11X360 SILIC.	MEASURE	
34	WGA8009014000	TUBO DA CALDAIA A RUB.VAPORE 1 GR.	BOILER-STEAM TAP 1 HEAD TUBE	
34	WGA8009024000	TUBO CALDAIA-RUBIN.VAPORE 2GR.	BOILER-STEAM TAP 2 HEAD TUBE	
35	WGA5001020000	CAPILLARE 1/8-1/4	1/8-1/4	
36	WGADM0793/003	TARGHETTA ADES.PREL.ACQ.SILVER RES.	REGISTRATION PLATE ADHES.PREL.ACQ.	
36	WGADM0794/003	TARGHETTA ADES.VAPOR.SILVER RESIN.	Adhesive Steam Nameplate	
38	11011247	TUBO VAPORIZZATORE COMPLETO TEFLON	TUBE VAPORIZER TEFLON	da matricola 9008GAP0154737 fino a matricola 9008GAP0154736
38	WGA8003013000	TUBO VAPORIZ.COMPLETO	Frother Tube Assembly	
39	WGA5001018000	MANOMETRO DOPPIA SCALA	Dual Scale Pressure Gauge	
40	WGA26G0076/01	PROTEZIONE DOSATORE	PROTECTION DOSER	1 GR.
41	12001274	PRESSOSTATO TRIPOLARE SIRAI UL	Triboelectric Pressure Switch UL	
43	8001100000	RACCORDO DIRITTO 1/4 M.-1/4 M.-C/OR	"UNION STRAIGHT 1/4" M.-1/4" M.-W/OR"	
44	WGA26G0074/01	GIGLEUR D.0,6	GIGLEUR D 0.6	

RUBINETTERIA - CARICO AUT.**Tavola 4 / 7**

Pos	Part N°	Descrizione particolare (ITA)	Description of Parts (ENG)	Note
45	WGADM0041/031	OR 2018 IN VITON 70 SH	OR 2018 IN VITON 70SH	
46	11013052	DOSATORE VOLUMETRICO TEFLONATO	Volumetric Doser	
47	WGA8009031000	TUBO PER DOSATORE	TUBE FOR DOSER	
47	WGA8009032000	TUBO PER DOSATORE	TUBE FOR DOSER	
48	WGA26G0072/01	RACCORDO A T CON GIGLEUR	TEE FITTING FOR NOZZLE	
49	WGA8009033000	TUBO COLLEGAMENTO SCAMBIATORI	EXCHANGERS CONNECTION TUBE	
50	WGA8009008000	TUBO DA CALDAIA A PRESSOSTATO 1 GR.	PIPE FROM BOILER TO PRESSOSTAT	
50	WGA8009029000	TUBO DA CALDAIA A PRESSOSTATO 2 GR.	BOILER-PRESSURE SWITCH 2 HEAD TUBE	
51	WGADM0962/001	FILTRO ENTRATA ACQUA	Filter	
52	11012210	RACCORDO SCARICO VALVOLA SICUREZZA ASME	DISCHARGE COUPLING SAFETY VALVE ASME	CSA
53	4001144000	IMPUGNATURA TUBO VAPORE GAGGIA	HANDLE FOR STEAM TUBE ON GAGGIA	
54	WGADM0041/053	GUARNIZIONE OR 114 EPDM 70°SH	Gasket OR 114	

MOTOPOMPA

Tavola 5/7

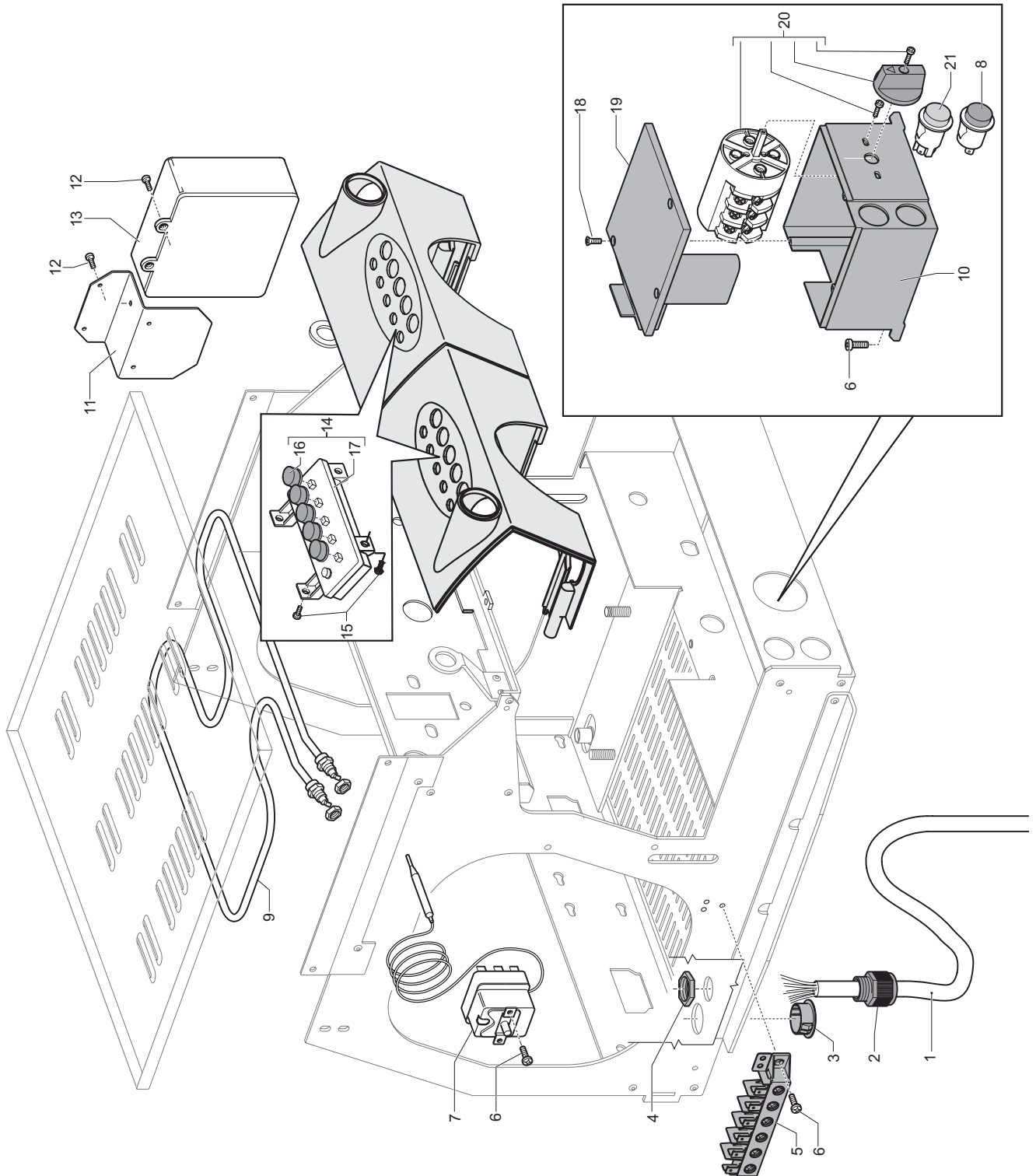


MOTOPOMPA**Tavola 5 /7**

Pos	Part N°	Descrizione particolare (ITA)	Description of Parts (ENG)	Note
1	11010116	MOTORE 230V 60Hz UL	MOTOR 230V 60Hz UL	CSA
1	WGA5001017000	MOTORE V230-HZ50/60-CLASSE B	Motor V 230 Hz 50-60	
2	WGAUN5587-8Z	DADO ESAGONALE M 8 ZINCATO	8 GALV. NUT	
3	WGAUN1751-8Z	RONDELLA ELASTICA D.8 ZINCATA	RING NUT	
4	WGAUN6593-8Z	RONDELLA PIANA D.8X24 ZINCATA	NUT	
5	WGAUN6592-8Z	RONDELLA PIANA D.8 ZINCATA	NUT	
6	WGA8001009000	SUPPORTO POMPA COMPLETO	COMPLETE PUMP MOUNT	
7	WGADM1986	TUBO FLESSIBILE 1/4-174 L.450	HOSE 1/4-1/4 L.450	
8	WGANRC23/002	"RACCORDO 4 VIE 1/4" M.CO.-3 X 1"	"FITTING 1/4"	
9	WGA8009010000	TUBO INGRESSO ACQUA	PIPE INPUT WATER	
10	WGA4009025000	RACCORDO SEDE FILTRO	FILTER SEATING COUPLING	
11	WGA4001094000	GUARNIZIONE	Gasket	
12	WGA5001005000	FILTRO ENTRATA ACQUA	Water Intake Filter	
13	WGADM2198	VALVOLA UNIDIREZIONALE TETDTN	ONE-WAY VALVE TETDTN	
14	WGADM0217/002/N	POMPA NU.ER.T 100L/H PR1AZ	PUMP NU.ER.T 100L/H PR1AZ	
15	WGA8009012000	TUBO VALVOLA SUPERPRESSIONE	PIPE VALVE PRESSION	
16	WGADM0262/003	VALVOLA SUPERPRESSIONE 11 BAR	PRESSURE RELIEF VALVE	
17	WGADM2106/011	TUBO SL-NE 5X9X60 SILIC.	TUBE SL-NE 5X9X60 SILIC.	
18	WGAUN5931-6X10Z	VITE M 6X10 ZINCATA	6X10 GALV. SCREW	
19	11010366	RACCORDO VALVOLA 3/8-F 3/4-M	VALVE COUPLING 3/8-F 3/4-M	da matricola 9009GAP0155523
20	12001141	VALVOLA UNIDIREZIONALE OF15 31.0006.0	ONE-WAY VALVE OF15 31.0006.0	da matricola 9009GAP0155523
21	11010368	RACCORDO INGRESSO	COUPLING	da matricola 9009GAP0155523

PARTI ELETTRICHE GD COMPACT

Tavola 6 / 7

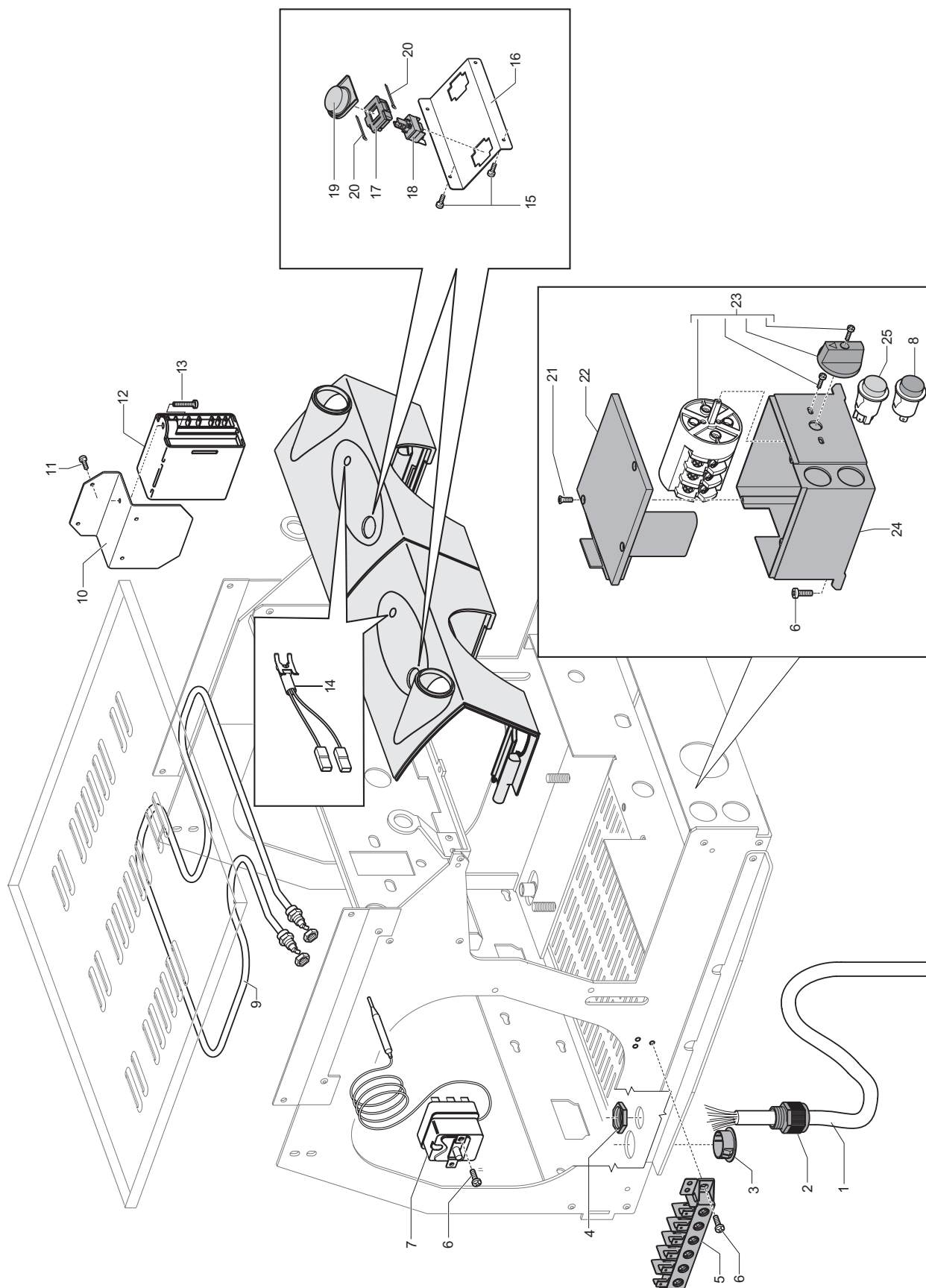


PARTI ELETTRICHE GD COMPACT**Tavola 6 / 7**

Pos	Part N°	Descrizione particolare (ITA)	Description of Parts (ENG)	Note
1	11002043	CAVO ALIMENTAZIONE 3 X 10AWG	POWER CABLE 3 X 10AWG	CSA
1	WGA5009003000	CAVO ALIMENTAZIONE 3X1,5	INPUT CABLE	
2	WGA5009001000	PASSACAVO JACOB COD.50013M20PASW	CABLE GUIDE.	
3	WGA5009005000	TAPPO JACOB D.25.5MM.COD.2713	JACOB PLUG D.25.5MM.COD.2713	
4	WGA5009002000	CONTRODADO JACOB COD.50.220PA/SW	VS CODICE BML22.	
5	WGADM1930	MORSETT.6 POLI FV122 B ALIMEN.	6-POLE TERM. BOARD FV122 B X C	
6	WGADI7986-4X10Z	VITE M 4X10 ZINCATA (DIN7985/UNI7687)	Screw M.4 x 10	
7	12001204	TERMOSTATO RIARMO MANUALE 170°C UL	THERMOSTAT	CSA
7	5024007000	TERMOSTATO RIARMO MANUALE 170°C	THERMOSTAT 170°C	
8	WGA5001012000	SEGNALATORE LUMIN.ROSSO V230 GEGD	ON Light	
9	WGA5001011022	RESIS.SCALDAT.V230 2GR.GEGD COMP.	RISISTANCE 230V 2 GR.	
10	WGA4001104000	SCATOLA INTERRUTTORE GENERALE	Main Switch Box	
11	WGA4001013000	SQUADRETTA SUPPORTO CENTRALINA	SUPPORT SQUARE GEARCASE	
12	129573402	VITE TCB PH/SW 4X10 UNI 8112 ZNP	SCREW TAPT M4X10 DIN 7985 GALV	
13	DM2182/02/230	CENTRAL.ELETTR.2GRCTZD 3D5 MAESTRO	3D5 MAESTRO 2GRCTZD ELECTRONIC CONT	
14	8001051000	PULSANTIERA COMPLETA GD	COMPLETE KEYPAD	
15	DI7981P3.5X9.5Z	VITE AF 3,5X9,5 ZINCATA X MAT.	SELF TAPPING GALV. SCREWPLAST	
16	WGA6003016000	TASTO PULSANTIERA CROMATO	Keypad Keys Chrome	
17	8001073000	GRUPPO PULSANTIERA S/TASTI GD	PUSH-BUTTON PANEL UNIT WITH NOT KE	
18	DI7982P3.5X13I	VITE AF 3,5X13 INOX X MAT.PLAS	SELF TAPPING S.S.SCREWPLAST 3,	
19	WGA4001105000	COPERCHIO SCATOLA INTERRUTTORE	CUP SWITCH BOX	
20	WGADM1944	COMMUTATORE 4 POS.32A AC1 (CS0	4-Way Switch 30 A	
21	WGADM2104	INTERRUT.LUMINOSO ARANCIO V 125-250	Cup Warmer Switch	

PARTI ELETTRICHE GE COMPACT

Tavola 7 / 7



PARTI ELETTRICHE GE COMPACT**Tavola 7 / 7**

Pos	Part N°	Descrizione particolare (ITA)	Description of Parts (ENG)	Note
1	WGA5009003000	CAVO ALIMENTAZIONE 3X1,5	INPUT CABLE	
2	WGA5009001000	PASSACAVO JACOB COD.50013M20PASW	CABLE GUIDE.	
3	12001500	TAPPO D.28,8MM	PLUG D.28,8MM	
4	WGA5009002000	CONTRODADO JACOB COD.50.220PA/SW	VS CODICE BML22.	
5	WGADM1930	MORSETT.6 POLI FV122 B ALIMEN.	6-POLE TERM. BOARD FV122 B X C	
6	WGADI7986-4X10Z	VITE M 4X10 ZINCATA (DIN7985/UNI7687)	Screw M.4 x 10	
7	5024007000	TERMOSTATO RIARMO MANUALE 170°C	THERMOSTAT 170°C	
8	WGA5001012000	SEGNALATORE LUMIN.ROSSO V230 GEGD	ON Light	
9	WGA5001011022	RESIS.SCALDAT.V230 2GR.GEGD COMP.	RISISTANCE 230V 2 GR.	
10	WGA4001013000	SQUADRETTA SUPPORTO CENTRALINA	SUPPORT SQUARE GEARCASE	
11	129573402	VITE TCB PH/SW 4X10 UNI 8112 ZNP	SCREW TAPT M4X10 DIN 7985 GALV	
12	WGADM1940	CENTRAL.REGOL.LIVELLO V 230 1,7MOHM	Level Control Unit V230	
13	WGAUN8112-4X25Z	VITE TRILOBATA M 4X25 ZINCATA	SCREWS TRILOBATE M 4X25 GALVANISED	
14	WGA5001010000	SEGNALATORE LUMIN.CAFFÈ V230 GE	SIGNALLER COFFE V230	
15	DI7981P3.5X9.5Z	VITE AF 3,5X9,5 ZINCATA X MAT.	SELF TAPPING GALV. SCREWPLAST	
16	4001008000	PIASTRINA FISSAGGIO INTERRUTTORE	SWITCH FIXING PLATE	
17	WGA4001080000	ADATTATORE INTERRUTT.	SWITCH ADAPTER	
18	12001020	INTERRUTTORE SIGNAL LUX COD.L52H8M9OUC	SWITCH SIGNAL LUX COD.L52H8M9OUC	
19	6001024000	TASTO EROGAZIONE GE CROMATO	CHROME-PLATED GE DISTRIBUTION BUTTO	
20	IS1234-3.2X32Z	COPIGLIA D.3,2X32 ZINCATA	GALV.SPLIT PIN D.3.2X32	
21	DI7982P3.5X13I	VITE AF 3,5X13 INOX X MAT.PLAS	SELF TAPPING S.S.SCREWPLAST 3,	
22	WGA4001105000	COPERCHIO SCATOLA INTERRUTTORE	CUP SWITCH BOX	
23	WGADM1944	COMMUTATORE 4 POS.32A AC1 (CS0)	4-Way Switch 30 A	
24	WGA4001104000	SCATOLA INTERRUTTORE GENERALE	Main Switch Box	
25	WGADM2104	INTERRUT.LUMINOSO ARANCIO V 125-250	Cup Warmer Switch	