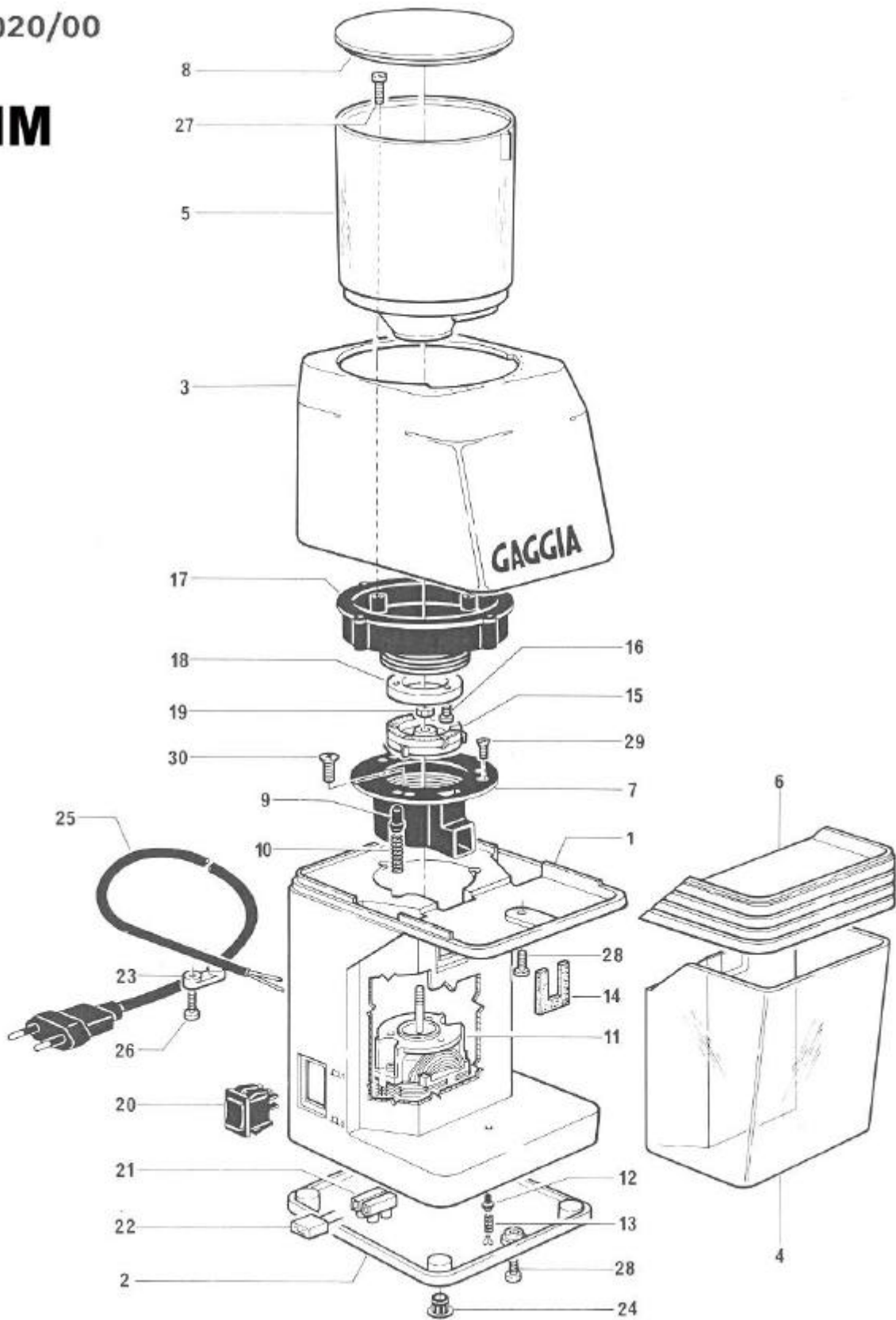


ER0020/00

**MM**



Pos.	Numero Disegno	Descrizione	Description
1	MM.0401/02/BN	Corpo carrozzeria Bianco nuovo	Body work - White new
1	MM.0401/02/BI	Corpo carrozzeria Bianco	Body work - White
1	MM.0401/02/RO	Corpo carrozzeria Rosso	Body work - Red
1	MM.0401/02/GR	Corpo carrozzeria Grigio	Body work - Grey
1	MM.0401/02/NE	Corpo carrozzeria Nero	Body work - Black
2	MM.0402/BN	Base carrozzeria Bianco nuovo	Body work lower part-White new
2	MM.0402/BI	Base carrozzeria Bianco	Body work lower part-White
2	MM.0402/RO	Base carrozzeria Rosso	Body work lower part-Red
2	MM.0402/GR	Base carrozzeria Grigio	Body work lower part-Grey
2	MM.0402/NE	Base carrozzeria Nero	Body work lower part-Black
3	MM.0403/01/BN	Parte sup. carrozzeria Bianco nuovo	Body work upper part-White
3	MM.0403/01/BI	Parte sup. carrozzeria Bianco	Body work upper part-White
3	MM.0403/01/RO	Parte sup. carrozzeria Rosso	Body work upper part-Red
3	MM.0403/01/GR	Parte sup. carrozzeria Grigio	Body work upper part-Grey
3	MM.0403/01/NE	Parte sup. carrozzeria Nero	Body work upper part-Black
4	MM.0404	Contentitore caffè macinato	Ground coffee tray
5	MM.0408/02/A	Gruppo contenitore caffè in grani	Coffee beans container assembly
6	MM.0409/BN	Coperchio cont. caffè mac. Bianco nuovo	Ground coffee cover tray-White new
6	MM.0409/BI	Coperchio cont. caffè mac. Bianco	Ground coffee cover tray-White
6	MM.0409/RO	Coperchio cont. caffè mac. Rosso	Ground coffee cover tray-Red
6	MM.0409/GR	Coperchio cont. caffè mac. Grigio	Ground coffee cover tray-Grey
6	MM.0409/NE	Coperchio cont. caffè mac. Nero	Ground coffee cover tray-Black
7	MM.0410/01	Supporto motore	Motor support
8	MM.0411/BN	Coperchio cont. caffè in grani Bianco nuovo	Beans coffee container cover-White new
8	MM.0411/BI	Coperchio cont. caffè in grani Bianco	Beans coffee container cover-White
8	MM.0411/RO	Coperchio cont. caffè in grani Rosso	Beans coffee container cover-Red
8	MM.0411/GR	Coperchio cont. caffè in grani Grigio	Beans coffee container cover-Grey
8	MM.0411/NE	Coperchio cont. caffè in grani Nero	Beans coffee container cover-Black
9	MM.0413	Perno regolazione macinatura	Pin for adjusting coffee grinding
10	MM.0414	Molla perno regolazione macinatura	Spring for adjusting pin
11	DM.1317	Motore V220/240 H 50	Motor V220/240 50 CPS
11	DM.1317/001	Motore V120 HZ 60	Motor V120 60 CPS
11	DM.1317/002	Motore V110 HZ50	Motor V110 50 CPS
12	MM.0415	Perno fermo cont. caffè macinato	Stopping pin
13	MM.0416	Molla perno fermo cont. caffè mac.	Spring for stopping pin
14	MM.0428	Guarnizione antipolvere	Anti dust-gasket
15	MM.0432/A	Gruppo macina inferiore	Lower grinding plate assembly
16	DIN.7981-2,2x9,5-I	Vite AF. 2,2x9,5 acc. inox	Self tapping screw 2,2x9,5 s. steel
17	MM.0405/01	Portamacina superiore	Upper grinding plate support
18	MM.0420	Macina	Grinding plate
19	UNI5587-4-0	Dado M.4 ottone	Brass M.4 nut
20	DM.1417	Pulsante unipolare	Push button
21	DM.1166/002	Morsetto a due elementi tipo PA 230	Two element terminal block
22	DM.1142	Filtro antisturbo	Noise suppressor filter
23	FG.0237	Cavallotto pressacavo	Cord clamp
24	FG.0245	Piedino	Rubber foot
25	ML.0316/01	Cavo con spina europa	Power cord-european plug
25	ML.0316/GB	Cavo con spina Inghilterra	Power cord-GB plug
25	ML.0316/AUS	Cavo con spina Australia	Power cord-Australian plug
25	ML.0316/USA	Cavo con spina America	Power cord-USA Plug
26	DIN.7981P2,9x16Z	Vite AF. 2,9x16 acc. zinc.	Self tapping screw 2,9x16 galv.
27	DIN.7981P2,9x19I	Vite AF. 2,9x19 acc. inox	Self tapping screw 2,9x19 steel
28	DIN.7981P2,9x9,5I	Vite AF. 2,9x9,5 acc. inox	Self tapping screw 2,9x9,5 steel
29	DIN.7982P2,9x13I	Vite AF. 2,9x13I acc. inox	Self tapping screw 2,9x13 steel
30	DIN.7987-4x12I	Vite M4x12 acc. inox	Screw M4x12 steel