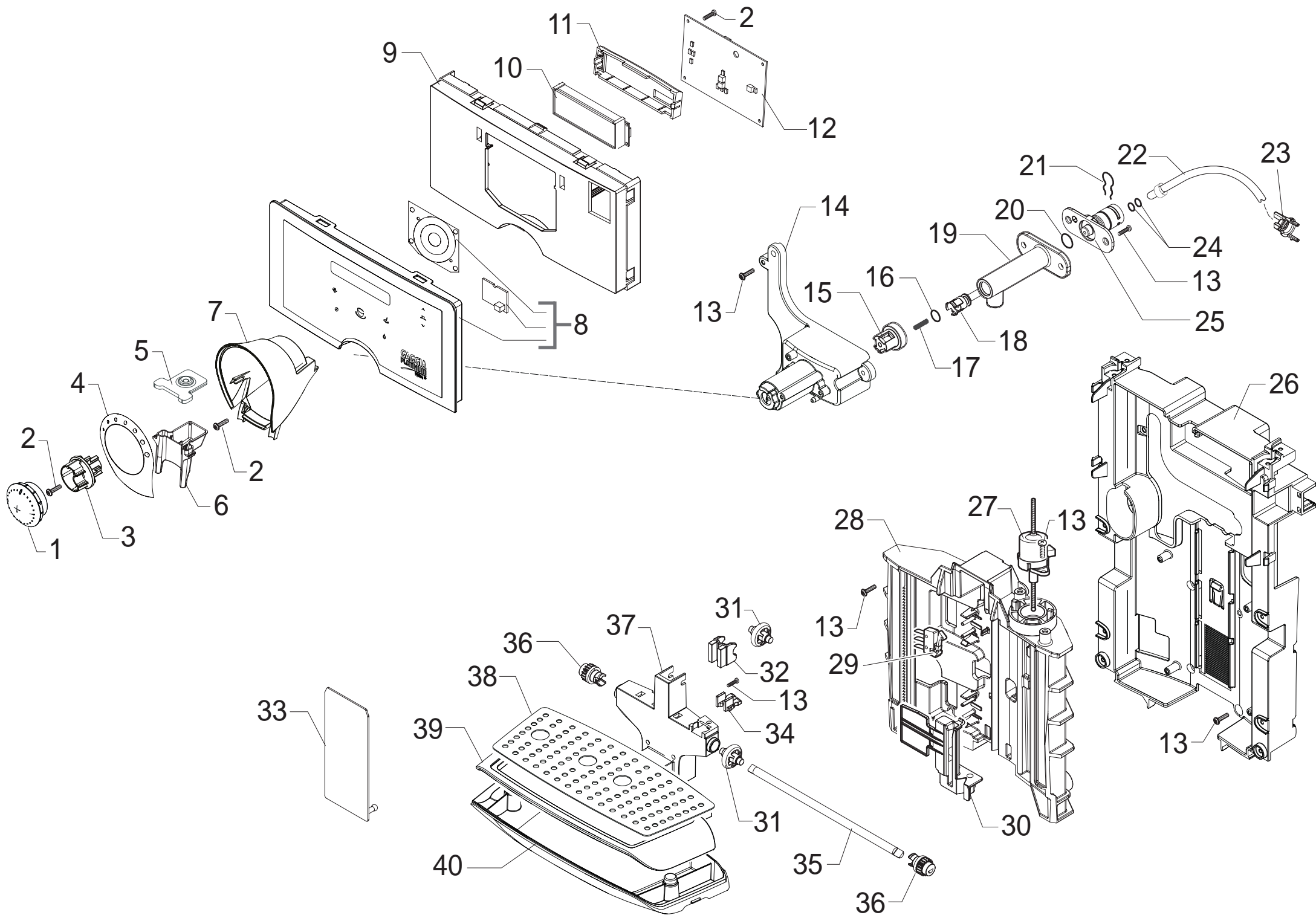
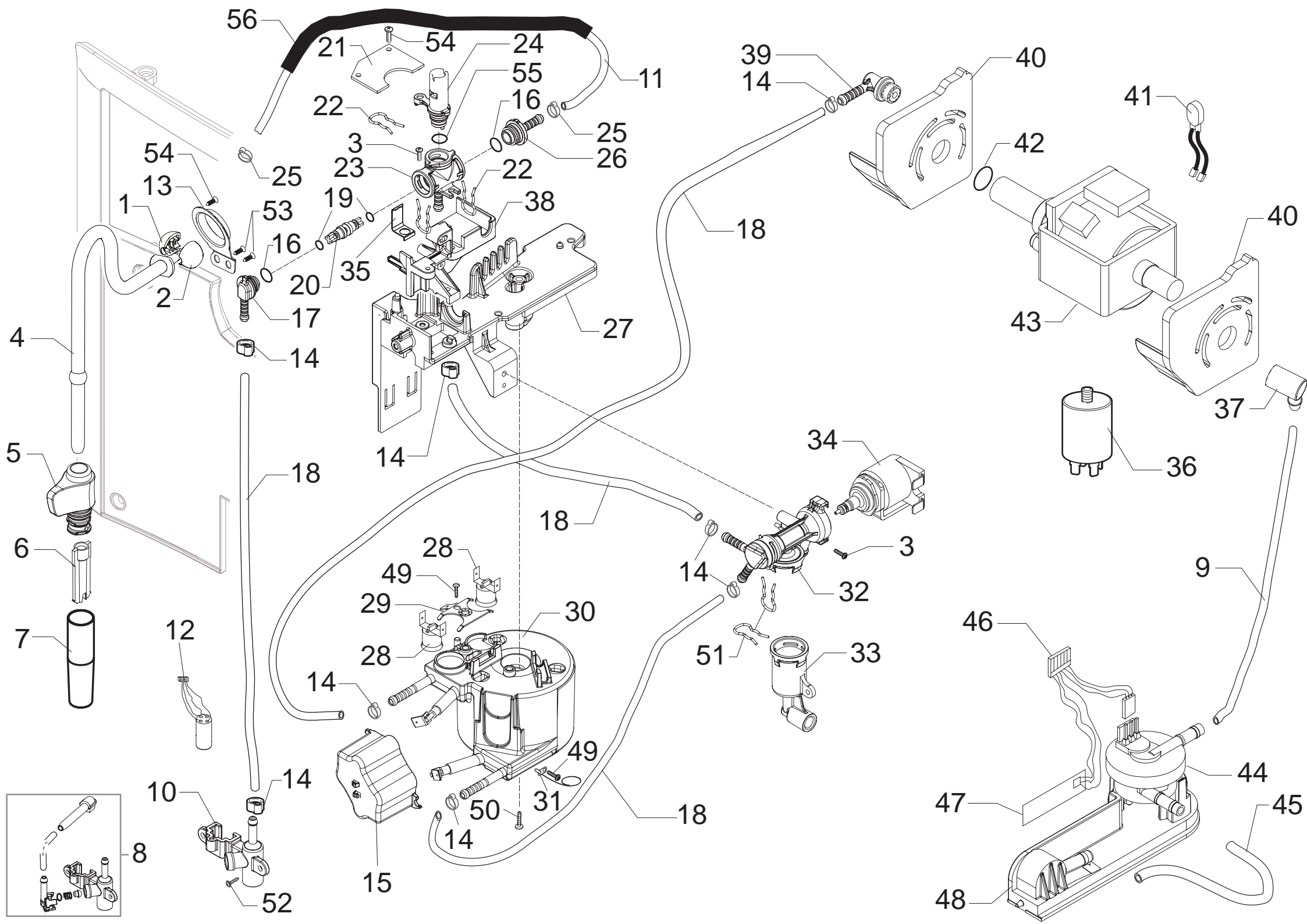


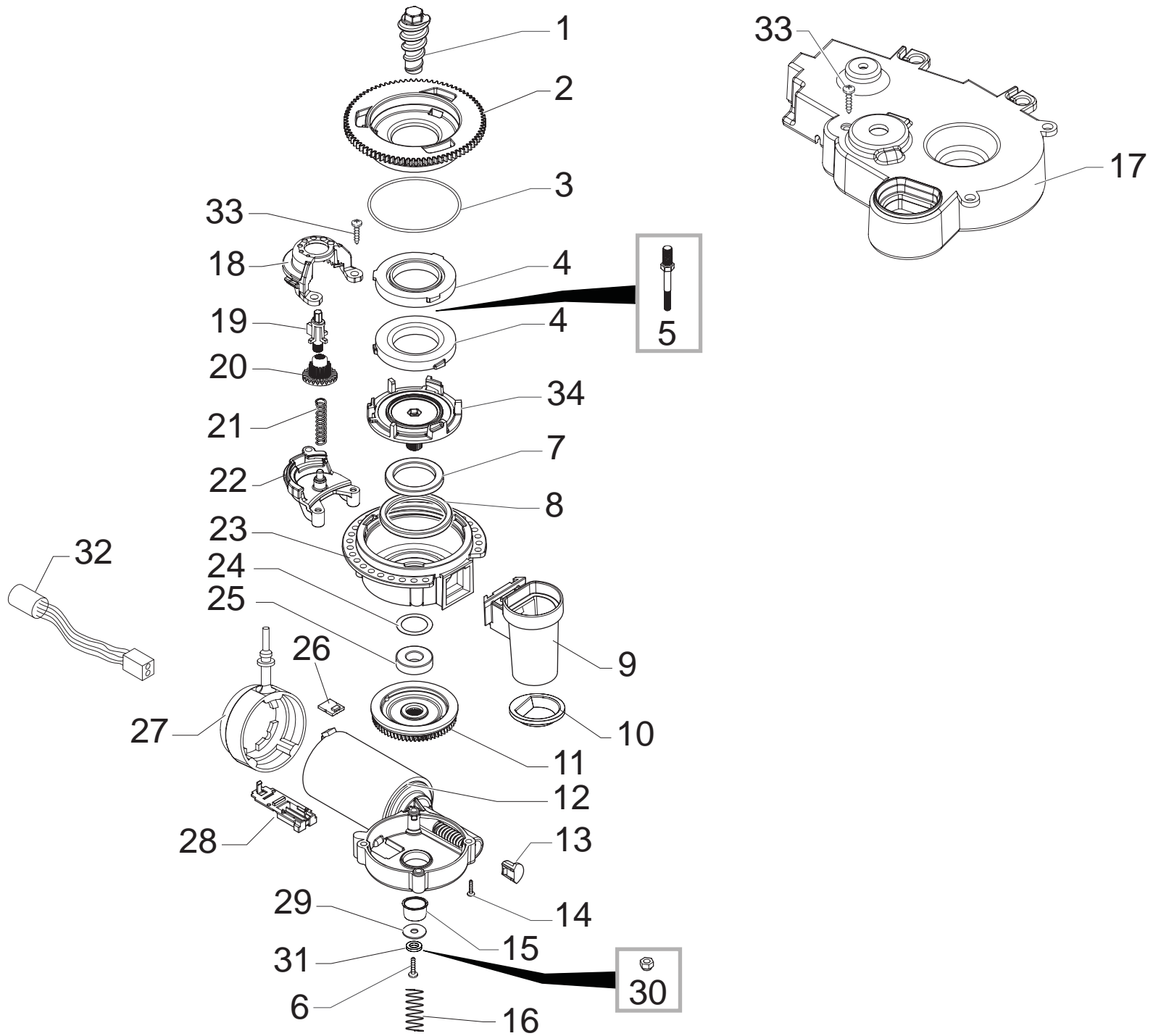
Pos	Article-Nr.	Description	Pos	Article-Nr.	Description
1	15001133	MANUAL GAG SUP034BR G0053/C D/I	43	11001340	BLACK DOOR PIN P0049
1	15001134	MANUAL GAG SUP034BR G0053/C GB/F	44	11008956	SS DOOR LOCK SPRING G0053
1	15001135	MANUAL GAG SUP034BR G0053/C E/P	45	11007266	8002/SILVER COFFEE UNIT DRIP TRAY G0053
1	15001136	MANUAL GAG SUP034BR G0053/C NL/PL	46	129912702	GALVAN.SCREW PT TORX 3X10 WN 1411
2	21000974	ACC GAG WATER FILTER 1 UNIT	47	11001360	PWR BOARD P0049/P0053 230V
3	0301.961	STICKER FOR WATER HARDNESS TEST	47	11003968	PWR BOARD P0049/P0053 120V
4	183911050	BLACK POWER CABLE SCHUKO L=1200	48	11007605	2POLES CONNECTOR SENSOR REED DOOR G0053
4	183921950	POWER CABLE SJT3 USA BLACK UL L=1200	49	11003154	BLACK REED SENSOR SUPPORT P0049
4	183930650	POWER CABLE CH BLACK 3X1 H05VV-F L=1200	50	11001339	TRANSP.INFRAREDS PLATE P0049
4	183940650	BLACK POWER CABLE AUSTRALIA L=1200	51	11007292	8002/SILVER ON-OFF BUTTON INSERT P0049
4	183970350	BLACK POWER CABLE UK L=1200	52	11011129	SPECCHIATO ON-OFF SWITCH BUTTON P0049
5	11022867	GAGGIA KLUBER TRIBOSTAR SIL 2 TUBE 5GR.	53	13000526	CARTON INSERT FOR BOX G0053
6	146680850	BLACK COFFEE MEASURE SMART	54	149360300	SILCONE TUBE 7X10 IN ROLL
7	129914002	SCREW TCB TORX 10 3,5X16 PLAST.ZN-B	55	11006567	LOWER INSULATE SHEET PWR ELE.BOARD P0053
8	11002017	NAT/GREY WATER CONTAINER P0053 ASSY.	56	11007234	UPPER INSULATE SHEET PWR ELE.BOARD P0053
9	224640200	WHITE WATER CONTAINER EXT.FILTER ASSY.			
10	140328461	EPDM OR METRIC 0190-10			
11	11003672	SS SPRING FOR WATER CONTAIN.VALVE P0049			
12	11003673	GREY WATER CONTAINER VALVE INSERT P0049			
13	11003671	TRANSP.VALVE FOR WATER CONTAINER P0049			
14	11001298	BLACK LID FOR DUCKBILL VALVE P0049			
15	11007305	8002/SILV.WATER TANK OUTLET COVER G0053			
16	11001668	NAT/GREY WATER CONTAINER LID P0053			
17	13000543	PS-E UPPER INSERT FOR BOX G0053			
18	13000533	PS-E LOWER INSERT FOR BOX G0053			
19	13000544	DISPLAY BOX G0053 GAG PLATINUM			
20	11007195	NAT/GREY BEAN COFF.CONT.LID G0053 ASSY.			
21	11007261	230V/SSTEEL CUPWARMING LID G0053/C-D ASS			
21	11008349	120V/SSTEEL CUPWARMING LID G0053/C-D ASS			
22	11008183	GREY SEAL FOR CUP WARMING LID G0053			
23	11009191	BLACK POWER BOARD PROTECTION V2 P0049			
24	11007219	8002/SILVER LEFT SIDE CASING G0053			
25	12000450	SCREW TCB TORX 10 3,5X12 PLAST.ZN-N			
26	11007262	8002/SILVER WATER-STEAM KNOB G0053			
27	11008133	BEIGE FRONT CASING G0053/C-D ASSY.			
28	11004799	NAT/GREY GROUND COFF.CONTAIN.LID G0053			
29	129661702	SCREW TCB TORX 3,5X30 PLAST.ZN-B			
30	11007217	SILVER COVER CASING G0053			
31	11004687	MOUNTING PLATE W/PIN P0049 PP+T ASSY.			
31	11009301	MOUNTING PLATE W/PIN P0049 UL ASSY.			
32	12000280	CUP SOCKET EN 60320 C 13			
33	U140.001	SCREW TCB TORX 10 3,5X40 PLAST.ZN-N			
34	11007060	GENERAL SWITCH P124			
35	11007218	8002/SILVER RIGHT SIDE CASING G0053			
36	11000223	BLACK WHEEL FOR CASING BOTTOM P124			
37	140321461	OR 2018 IN EPDM			
38	11003821	BLACK CAP FOR CONNECTIONS P0049/P0053			
39	9161.111	MAGNET FOR FLOAT SUPERAUT.			
40	11005046	BLACK INSIDE COVER DOOR G0053			
41	11003533	BLACK DUMP BOX P0049 ASSY.			
42	11007267	8002/SILVER DOOR G0053			



Pos	Article-Nr.	Description	Pos	Article-Nr.	Description
1	11007290	8002/SILVER CREAM ADJUSTMENT KNOB G0053			
2	129913202	SCREW TCB TORX 10 3X8 PLAST.ZN-B			
3	11007420	COFF.DISPENSER INTERNAL CONNECT.V2 P124			
4	11007211	CHROM.FRONT COF.DISPENS.COVER S/SC.G0053			
5	11002111	BLACK COFFEE DISPEN.HEAD BODY CAP P0053			
6	11002049	BLACK COFFEE DISPENSER BODY P0053			
7	11007269	8002/SILV.REAR COFF.DISPENS.COVER G0053			
8	11006026	SILVER DISPLAY FRONT PLATE G0053/C ASSY.			
9	11008206	BEIGE FRONT PANEL SUPPORT G0053/B-C			
10	11006890	24 X 2 LCD DISPLAY - CUSTOM FONT			
11	11002102	BLACK DISPLAY SUPPORT P0053/C			
12	11007494	AS.CPU+SW V2 P0053/C			
13	12000450	SCREW TCB TORX 10 3,5X12 PLAST.ZN-N			
14	11005996	BLACK COFFEE DISPENSER G0053			
15	149198700	BLK COFF.CREAM ADJUSTMENT SHAFT SUPPORT			
16	140326661	BLACK OR METRIC 0040-20 IN EPDM			
17	126772518	SS COFF.CREAM ADJUSTMENT SHAFT SPRING			
18	140640200	WHITE COFFEE CREAM ADJUSTMENT SHAFT			
19	11000290	BLACK COFFEE DISPENSER TUBE P124			
20	12000070	OR METRIC 0060-15 IN SILICONE			
21	9011.144	SS FORK FOR TUBE D=4			
22	11001766	TEFLON TUBE 2X4 L=125 MM ASSY.			
23	11006504	BLACK TUBE TEFLON INSERT G0053			
24	140328059	OR 2015 SILICONE PTFE/FDA			
25	11002130	COFF.DISPENSER FAST LOCK CONNECTOR P0053			
26	11004741	BLACK DRIP TRAY GUIDE G0053			
26	11009286	BLACK DRIP TRAY GUIDE G0053 UL			
27	12000065	SAIA UCL MOTOR FOR P124 MOBILE TRAY ASSY			
28	11002204	BLACK DRIP TRAY GUIDE P0053			
29	11007609	DRIP TRAY MICROSWITCH G0053 UL ASSY.			
30	11002293	BLACK DRIP TRAY LOWER PROTECT.P124			
31	11000113	BLACK WHELL FOR DRIP TRAY SUPPORT P124			
32	11000224	INSERT FOR ADJUSTMENT TRAY WHEEL P124			
33	11003399	SPECCHIATO DRIP TRAY PROTECTION P0053			
34	11000115	BLK FIXING PLATE FOR FEEDING SCREW P124			
35	11000586	MOBILE DRIP TRAY GEARS SHAFT P124			
36	11000081	GEAR Z=17 FOR MOBILE TRAY SUPPORT P124			
37	11004794	CARBONA DRIP TRAY SUPPORT G0053			
38	11004773	SB/STAINLESS STEEL GRATE G0053			
39	11007213	CHROMATED DRIP TRAY GRATE SUPPORT G0053			
40	11008882	8002/SILVER DRIP TRAY G0053 ASSY.			

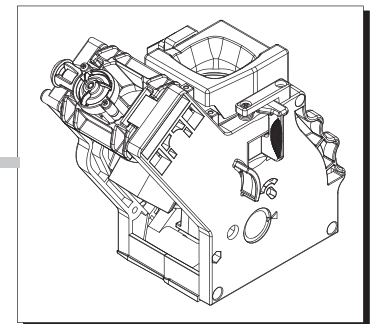
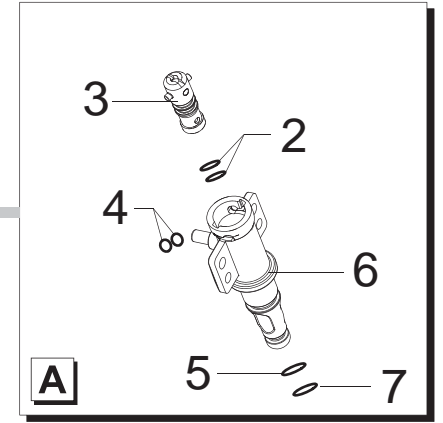
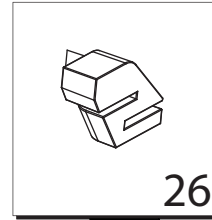
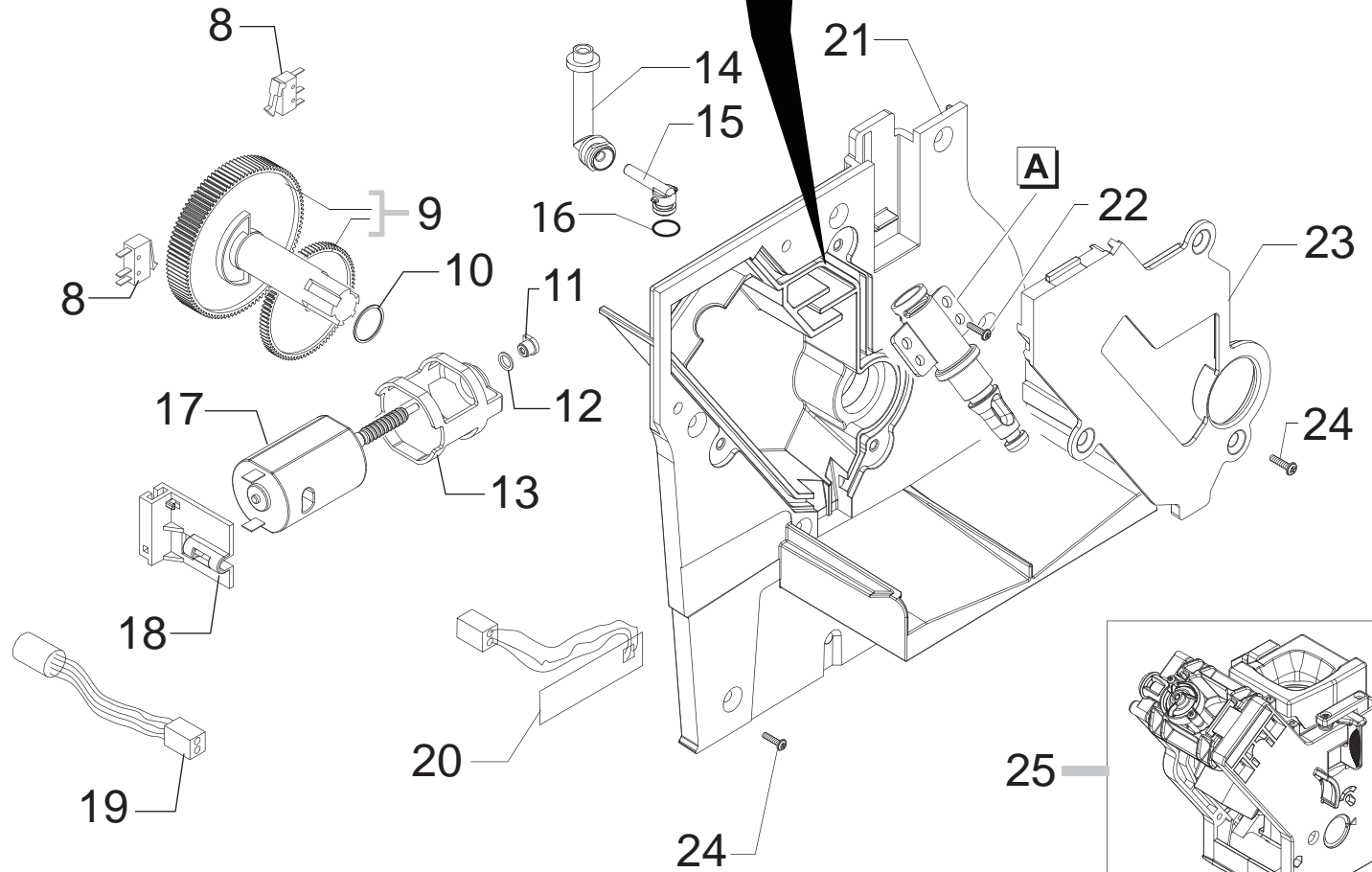
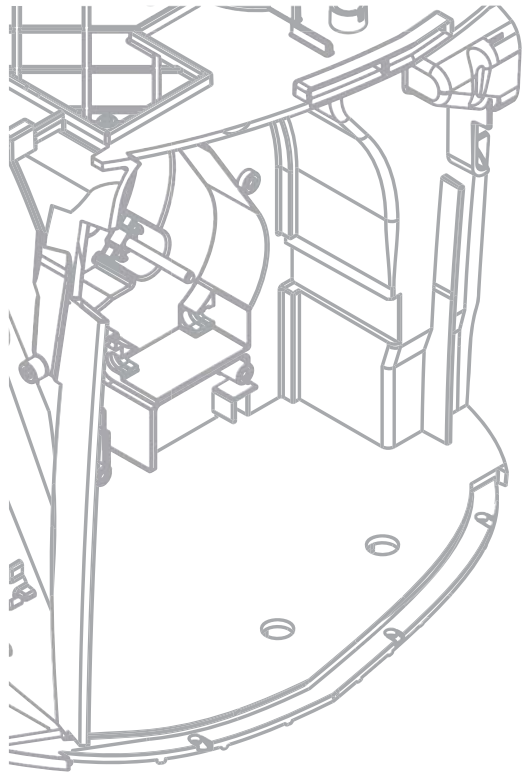


Pos	Article-Nr.	Description	Pos	Article-Nr.	Description
1	11007189	BLACK LEFT INSERT FOR STEAM TUBE G0053	48	11003670	BLACK TURBINE SUPPORT V2 P0049
2	11006922	BLACK RIGHT INSERT FOR STEAM TUBE G0053	49	129573202	SCREW TCB TORX 20 M4X8 AUTOFORMING ZN-B
3	129913902	SCREW TCB TORX 10 3X12 PLAST.ZN-B	50	129932502	SCREW TSP 5X30 PLAST.ZN-B
4	11005991	SS STEAM TUBE G0053 ASSY.	51	11005096	SS FORK SPRING FOR BLOWDOWN VALVE P0049
5	11007194	BLACK STEAM TUBE HANDGRIP G0053	52	12000450	SCREW TCB TORX 10 3,5X12 PLAST.ZN-N
6	11001620	BLACK PANNARELLO INNER TUBE P0049	53	U043.017	SCREW TCB TORX 10 M3X12 ZN-B
7	11001621	SS PANNARELLO COVER P0049	54	129913202	SCREW TCB TORX 10 3X8 PLAST.ZN-B
9	149360200	SILICONE TUBE 5X8 70SR IN ROLL	55	140321861	OR 2025 IN EPDM
10	11007421	BLACK CONNECTOR P0054	56	149361200	BLACK SILICONE TUBE 7,5X9,3 IN ROLL
11	16000170	WHITE BRAIDED SILICON TUBE 3X6 IN ROL	100	11008698	TEA/BRASS FAUCET P0049-P0053 ASSY.
12	11000465	4POLE FEMALE CONNECTOR P0054	100	11008845	TUB.BOILER G0053 120V ASSY.
13	4332055000	SUPPORT FOR SPHERAL UNION	100	11005604	BLOWDOWN VALVE P0049 120V ASSY.
14	12000892	OETIKER CLAMP D=9,5 16700004	100	11005994	TUB.BOILER G0053 230V ASSY.
15	11005284	BLACKBOILER CONNECTORS COVER P0049/P0053	100	11001543	BLOWDOWN VALVE P0049 230V ASSY.
16	12000931	OR 108 IN EPDM FDA 70 SH			
17	11001544	BLACK FAUCET CONNECTOR P0049			
18	16000380	5X8,9 SILICONE TUBE IN ROLL			
19	12000890	OR 2012 IN EPDM FDA 70 SH SV			
20	11004134	TEA/BRASS FAUCET SHAFT P0049			
21	11007569	FAUCET ELECTRONIC CARD G0053 ASSY.			
22	11001499	SS FAUCET FORK SPRING P0049			
23	11004625	TEA/BRASS FAUCET CASING P0049			
24	11004135	PLAST/BRASS FAUCET SHAFT P0049 ASSY.			
25	NF11.052	OETIKER CLIP			
26	11001546	BLACK FAUCET STRAIGHT CONNECTOR P0049			
27	11001332	BLACK BOILER-FAUCET-VALVE SUPPORT P0049			
28	12001034	THERMOSTAT ONE SHOT 175°			
28	189428600	THERMOSTAT 175° 1NT-08L-5125			
29	11001751	TUB.BOILER V3 UPPER THERM.FIXING SPRING			
30	11011341	V4 TUB.BOILER 1300W 230V ASSY.			
30	11011342	V4 TUB.BOILER 1300W 120V ASSY.			
31	190800100	TEMPERATURE SENSOR NTC UL L=280MM			
32	20000591	BLK BLOWDOWN VALVE CASING KIT P0049			
33	20000592	BLOWDOWN VALVE CONNECTOR P0049 ASSY.			
34	20000680	BLOWDOWN VALVE COIL P0049 120V ASSY.			
34	20000590	BLOWDOWN VALVE COIL P0049 230V ASSY.			
35	11002957	SS.FAUCET FOR SPRING P0049			
36	12000005	ANTIDISTURB FILTER 10A FNC 1005474103P			
36	12000007	QUICK-LOCK ANTIDISTURB FILTER 16A			
37	147920150	90° INLET PUMP CONNECTOR			
38	11006022	BLACK FAUCET SUPPORT G0053			
39	11001054	BLK PUMP OUTLET 90°CONNECTOR P0049/B			
40	11006296	BLACK PUMP SUPPORT P0049 ASSY.			
41	11005668	2POLES CONNECTOR PUMP P0049 UL			
42	140321961	OR 2031 IN TERMOIL			
43	12000140	ULKA PUMP EP5/S GW 230V-50HZ			
43	12000142	ULKA PUMP EAP5/S 120V-60HZ			
44	12000781	TURBINE D=1,2 932-8521/90 ASSY.			
45	JS01.022	SILICONE TUBE 5X10 60SH IN ROLL			
46	11007550	6POLES CONNECTOR LEVEL+FLOWMETER G0053			
47	11000651	WATER LEVEL SENSOR BOARD P124			



Pos	Article-Nr.	Description	Pos	Article-Nr.	Description
1	11011205	TEA ZAMA INCREASE SCREW GRINDER			
1	9141.001	BRASS INCREMENT SCREW MC			
2	149198250	BLK UPPER COFFEEGRINDER GRINDER SUPPORT			
3	140328960	NBR FDA OR METRIC 0530-15			
4	146520100	BAKED CLAY GRINDER 48X28			
5	127473603	STEEL PIN M4-M6 FOR INCREMENT SCREW			
6	129574802	SCREW TCB TORX 20 M4X30 ZN-B			
7	123030300	AXIAL BEARING EKKO 342.35252			
8	140360500	FELT RING 45,4X39,4X4			
9	11012564	BLK GROUND COFF.OUTLET CONVEYOR V2 ASSY.			
10	145854462	BLK GROUND COFFEE CONT.LOWER SEAL SMART1			
11	226000300	GEAR SX Z=38 FOR GRINDER MOTION ASSY.			
12	11000511	MOTOR COFFEEGRINDER V3.1 120V ASSY.			
12	11000513	MOTOR COFFEEGRINDER V3.1 230V ASSY.			
13	149214800	MC V3 MOD=1,25 WORM SCREW CENTRING CAP			
14	129661702	SCREW TCB TORX 3,5X30 PLAST.ZN-B			
15	11002873	INSULATOR BUSH FOR GRINDER MOTOR P124			
16	11000597	COFFEE GRINDER SUPPORT SPRING P124			
17	11001826	COFFEE GRINDER SOUNDPROOFING COVER P0053			
18	11002508	UPPER COFFEEGRINDER GEAR SUPPORT P124			
19	11003446	BLACK BEAN COFFEE GRINDER INSERT P0049			
20	11003784	COFFEE GRINDING ADJUSTMENT GEAR P0049			
21	11002572	COFFEEGRINDER REGULATION SPRING P124			
22	11002613	LOWER COFFEEGRINDER GEAR SUPPORT P124			
23	142905450	BLK UPPER BODY WITH COFFEE GROUND OUTLET			
24	128381800	STEEL CRINKLE WASHER 21,8X14X0,25			
25	123030200	RADIAL BEARING 61900.2RS1			
26	181540900	ELECTR.BOARD WITH SENSOR HAL506 SF-K			
27	11001367	BLACK COFFEE GRINDER SUPPORT P0049			
28	149199050	BLK SENSOR SUPPORT FOR COF.GRINDER MOTOR			
29	128381902	STEEL FLAT WASHER DI=4,3 DE=14 SP=1,5			
30	123453102	GALV.SELF LOCK NUT HIGH M4 DIN 982			
31	128310402	GALV.WASHER UNI 8842 A4			
32	11005658	5POLES CONNECTOR MC SENSORS P0049 UL			
33	129914002	SCREW TCB TORX 10 3,5X16 PLAST.ZN-B			
34	149198350	BLK LOWER COFFEEGRINDER GRINDER SUPPORT			
100	11007416	GEN.MOTOR COF.GRINDER V2 P0049 230V ASSY			
100	11007417	GEN.MOTOR COF.GRINDER V2 P0049 120V ASSY			





Pos	Article-Nr.	Description	Pos	Article-Nr.	Description
1	11005113	PIN V2 FOR BOILER P049/B ASSY.			
2	140324459	OR ORM 0060-20 SILICONE PTFE/FDA			
3	11003820	BLACK CAP V2 FOR PIN BOILER P119			
4	140328059	OR 2015 SILICONE PTFE/FDA			
5	NM01.035	OR ORM 0090-20 SILICONE			
6	11003801	NAT.PIN V2 FOR BOILER P119			
7	NM01.057	OR ORM 0050-20 IN SILICONE			
8	NE05.038	MICROSWITCH SAIA XCG5-81-P5			
9	20000900	SPARES KIT GEARS FOR RATIOMOTOR V2			
10	9161.132	MYLAR WASHER FOR RATIOMOTOR			
11	9121.046	BRONZE SINTERED BUSH FOR MOTOR RATIOMOT.			
12	148380200	BAKELIZZATE WASHER D=5,5			
13	9121.044	ANTIVIBRATION FOR MOTOR			
14	11004086	BLK VALVE WATER DESCARGING 90°CONN.P0049			
15	11003648	BLK COVER WATER DESCARGING 90°CONN.P0049			
16	140325462	OR METRIC 0070-20 IN SILICONE			
17	11003037	MOTOR FOR RATIOMOTOR ASSY.			
18	11001331	BLACK DUMP BOX MICROSWITCH SUPPORT P0049			
19	11003661	REED SENSOR MK3-1A66-BV16451			
20	11007897	BREW UNIT DRIP TRAY SENSOR G0053 UL ASSY			
21	11009287	BLACK COVER MOUNTING PLATE P0049 UL ASSY			
21	11006337	BLACK COVER MOUNTING PLATE P0049 ASSY.			
22	129914002	SCREW TCB TORX 10 3,5X16 PLAST.ZN-B			
23	11009284	BLACK COVER FOR BOILER VAIN P0049 UL			
23	11001312	BLACK COVER FOR BOILER VAIN P0049			
24	129914102	SCREW TSP TORX 10 3,5X12 PLAST.ZN-B			
25	11005921	BLACK BREW UNIT 8GR/SBS V2 P124			
26	11022216	BLACK MOUNTING PLATE COVER PROTECT.P0049			