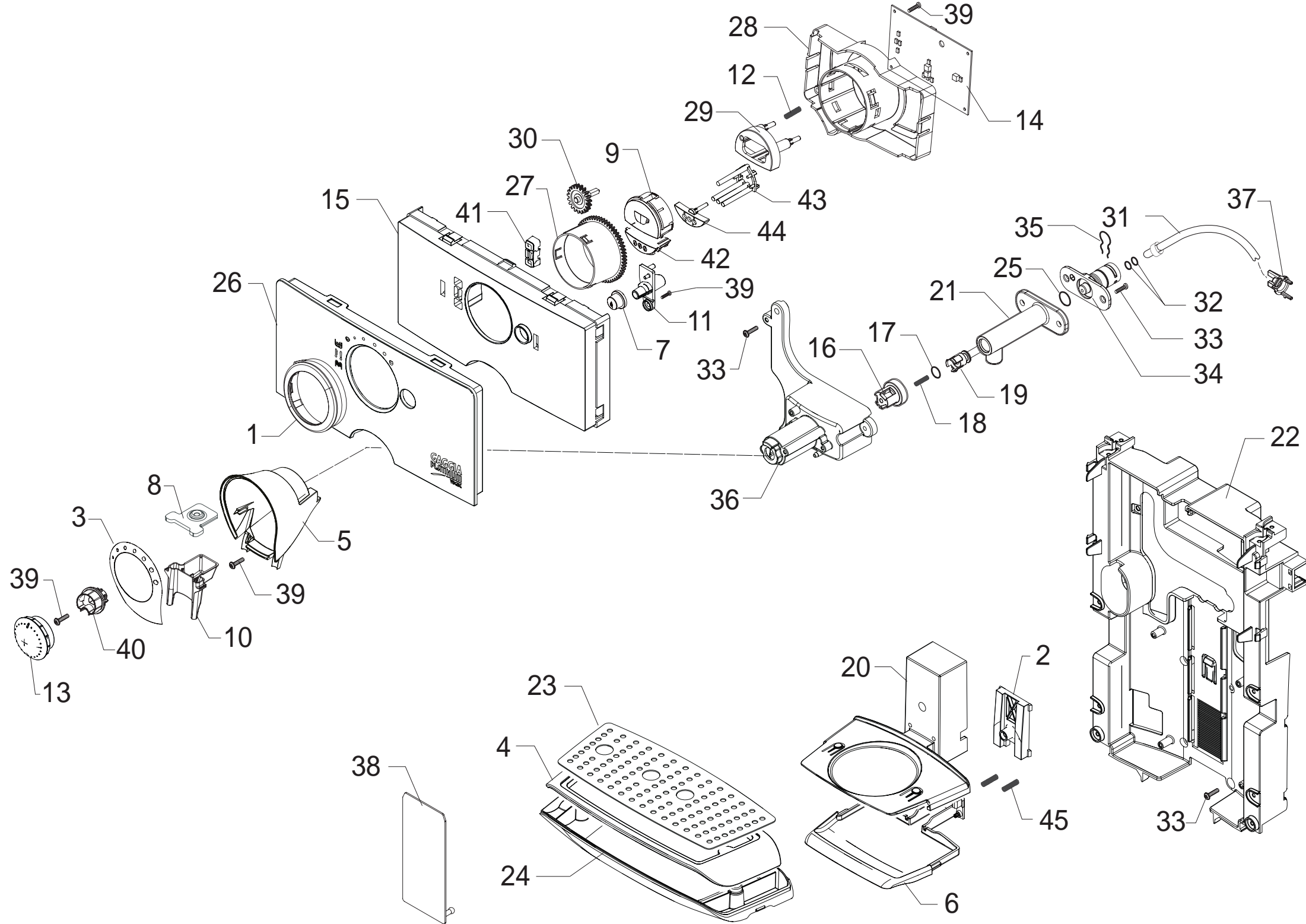


ER0280

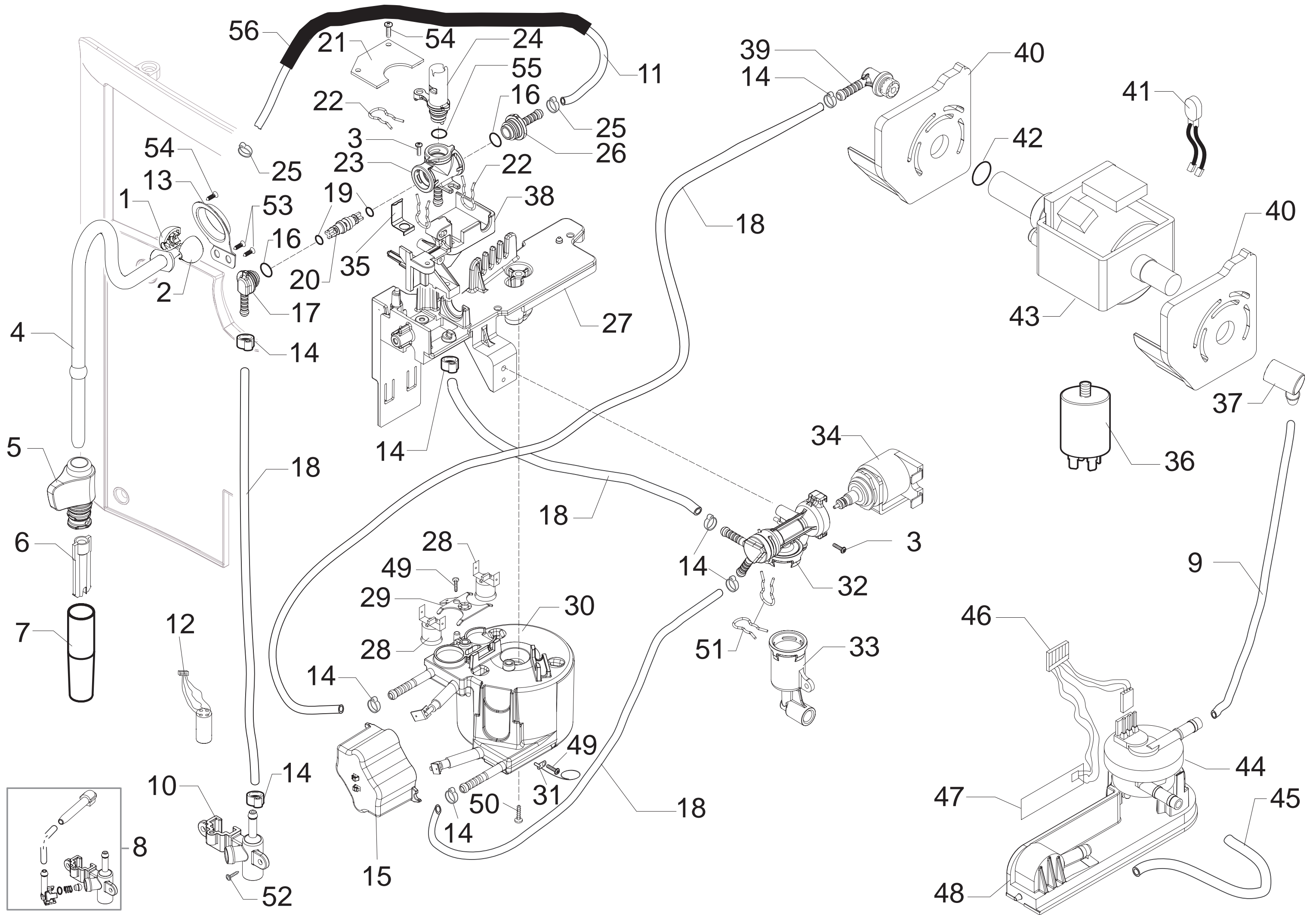
SUP034OR

| Pos | Article-Nr. | Description | Pos | Article-Nr. | Description |
|-----|-------------|--|-----|-------------|---|
| 1 | 15001107 | MANUAL GAG SUP034OR G0053/A D/I | 42 | 11008956 | SS DOOR LOCK SPRING G0053 |
| 1 | 15001108 | MANUAL GAG SUP034OR G0053/A GB/F | 43 | 11007177 | TITANIO COFFEE UNIT DRIP TRAY G0053 |
| 1 | 15001109 | MANUAL GAG SUP034OR G0053/A E/P | 44 | 11001360 | PWR BOARD P0049/P0053 230V |
| 1 | 15001130 | MANUAL GAG SUP034OR G0053/A NL/PL | 44 | 11003968 | PWR BOARD P0049/P0053 120V |
| 1 | 15001276 | MANUAL GAG SUP034OR G0053/A GB/P | 45 | 11001339 | TRANSP.INFRAREDS PLATE P0049 |
| 2 | 21000974 | ACC GAG WATER FILTER 1 UNIT | 46 | 129912702 | GALVAN.SCREW PT TORX 3X10 WN 1411 |
| 3 | 183911050 | BLACK POWER CABLE SCHUKO L=1200 | 47 | 11007605 | 2POLES CONNECTOR SENSOR REED DOOR G0053 |
| 3 | 183921950 | POWER CABLE SJT3 USA BLACK UL L=1200 | 48 | 11003154 | BLACK REED SENSOR SUPPORT P0049 |
| 3 | 183930650 | POWER CABLE CH BLACK 3X1 H05VV-F L=1200 | 49 | 11004055 | TITANIO ON-OFF BUTTON INSERT P0049 |
| 3 | 183940650 | BLACK POWER CABLE AUSTRALIA L=1200 | 50 | 11011129 | SPECCHIATO ON-OFF SWITCH BUTTON P0049 |
| 3 | 183970350 | BLACK POWER CABLE UK L=1200 | 51 | 13000526 | CARTON INSERT FOR BOX G0053 |
| 3 | 11004245 | BLACK POWER CABLE BRAZIL L=1200 | 52 | 149360300 | SILCONE TUBE 7X10 IN ROLL |
| 4 | 11003785 | BLACK GRINDER ADJUSTMENT KEY P0049 | 53 | 11006567 | LOWER INSULATE SHEET PWR ELE.BOARD P0053 |
| 5 | 11022867 | GAGGIA KLUBER TRIBOSTAR SIL 2 TUBE 5GR. | 54 | 11007234 | UPPER INSULATE SHEET PWR ELE.BOARD P0053 |
| 6 | 11007212 | TITANIO WATER TANK OUTLET COVER G0053 | 55 | 129914002 | SCREW TCB TORX 10 3,5X16 PLAST.ZN-B |
| 7 | 11001668 | NAT/GREY WATER CONTAINER LID P0053 | | | |
| 8 | 11002017 | NAT/GREY WATER CONTAINER P0053 ASSY. | | | |
| 9 | 224640200 | WHITE WATER CONTAINER EXT.FILTER ASSY. | | | |
| 10 | 140328461 | EPDM OR METRIC 0190-10 | | | |
| 11 | 11003672 | SS SPRING FOR WATER CONTAIN.VALVE P0049 | | | |
| 12 | 11003673 | GREY WATER CONTAINER VALVE INSERT P0049 | | | |
| 13 | 11003671 | TRANSP.VALVE FOR WATER CONTAINER P0049 | | | |
| 14 | 11001298 | BLACK LID FOR DUCKBILL VALVE P0049 | | | |
| 15 | 13000543 | PS-E UPPER INSERT FOR BOX G0053 | | | |
| 16 | 13000533 | PS-E LOWER INSERT FOR BOX G0053 | | | |
| 17 | 13000544 | DISPLAY BOX G0053 GAG PLATINUM | | | |
| 18 | 11007195 | NAT/GREY BEAN COFF.CONT.LID G0053 ASSY. | | | |
| 19 | 11004793 | SB/SS CUP WARMING LID G0053 | | | |
| 20 | 11008183 | GREY SEAL FOR CUP WARMING LID G0053 | | | |
| 21 | 11009191 | BLACK POWER BOARD PROTECTION V2 P0049 | | | |
| 22 | 11007175 | TITANIO LEFT SIDE CASING G0053 | | | |
| 23 | 12000450 | SCREW TCB TORX 10 3,5X12 PLAST.ZN-N | | | |
| 24 | 11007232 | TITANIO WATER-STEAM KNOB G0053 | | | |
| 25 | 11007207 | BLACK FRONT CASING G0053/A-B ASSY. | | | |
| 26 | 11008094 | NAT/GREY GROUND COFF.CONTAINER CAP G0053 | | | |
| 27 | 129661702 | SCREW TCB TORX 3,5X30 PLAST.ZN-B | | | |
| 28 | 11007173 | TITANIO COVER CASING G0053 | | | |
| 29 | 11004687 | MOUNTING PLATE W/PIN P0049 PP+T ASSY. | | | |
| 29 | 11009301 | MOUNTING PLATE W/PIN P0049 UL ASSY. | | | |
| 30 | 12000280 | CUP SOCKET EN 60320 C 13 | | | |
| 31 | U140.001 | SCREW TCB TORX 10 3,5X40 PLAST.ZN-N | | | |
| 32 | 11007060 | GENERAL SWITCH P124 | | | |
| 33 | 11007174 | TITANIO RIGHT SIDE CASING G0053 | | | |
| 34 | 11000223 | BLACK WHEEL FOR CASING BOTTOM P124 | | | |
| 35 | 140321461 | OR 2018 IN EPDM | | | |
| 36 | 11003821 | BLACK CAP FOR CONNECTIONS P0049/P0053 | | | |
| 37 | 9161.111 | MAGNET FOR FLOAT SUPERAUT. | | | |
| 38 | 11005046 | BLACK INSIDE COVER DOOR G0053 | | | |
| 39 | 11003533 | BLACK DUMP BOX P0049 ASSY. | | | |
| 40 | 11007178 | TITANIO DOOR G0053 | | | |
| 41 | 11001340 | BLACK DOOR PIN P0049 | | | |

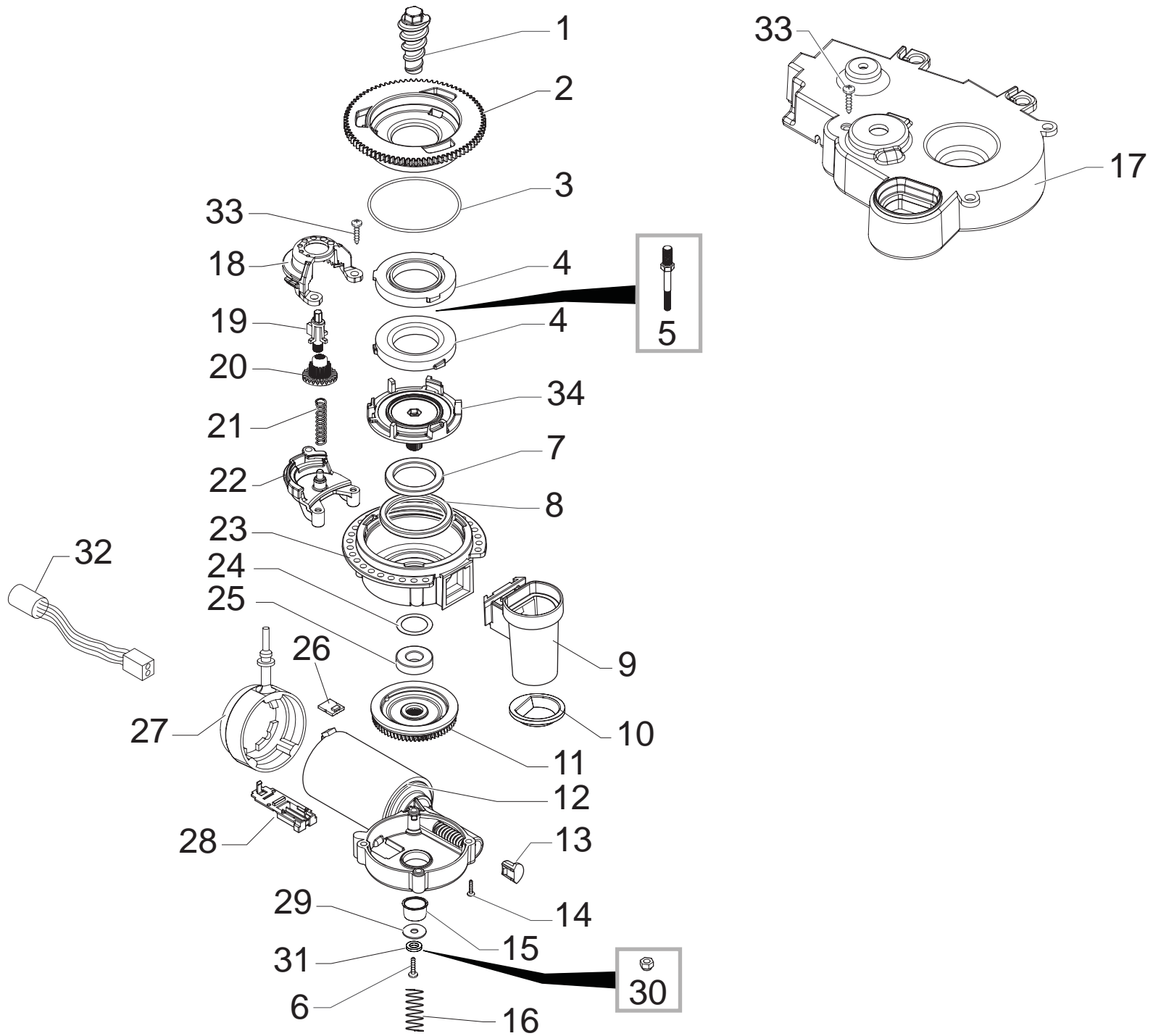


| Pos | Article-Nr. | Description |
|-----|-------------|--|
| 1 | 11004100 | CHROM.COFFEE HEIGHT REGULATION NUT P0049 |
| 2 | 148740600 | SLIDE FOR DRIP TRAY P117 |
| 3 | 11007211 | CHROM.FRONT COF.DISPENS.COVER S/SC.G0053 |
| 4 | 11007213 | CHROMATED DRIP TRAY GRATE SUPPORT G0053 |
| 5 | 11007179 | TITANIO REAR COFF.DISPENSER COVER G0053 |
| 6 | 11005115 | CARBONA DRIP TRAY SUPPORT INSERT G0053 |
| 7 | 11006036 | BLACK BUTTON INSERT S/SCR.WATER G0053/A |
| 8 | 11002111 | BLACK COFFEE DISPEN.HEAD BODY CAP P0053 |
| 9 | 11001354 | BLACK COFFEE BUTTON P0049/B |
| 10 | 11002049 | BLACK COFFEE DISPENSER BODY P0053 |
| 11 | 11004782 | BLACK WATER BUTTON G0053/A |
| 12 | 11002068 | SS BUTTONS SPRING P0053/A |
| 13 | 11007214 | TITANIO CREAM ADJUSTMENT KNOB G0053 |
| 14 | 20003341 | KIT SPARES CPU+SW V2 P0053/A-G0053/P ASS |
| 15 | 11007277 | BLACK FRONT PANEL SUPPORT G0053/A |
| 16 | 149198700 | BLK COFF.CREAM ADJUSTMENT SHAFT SUPPORT |
| 17 | 140326661 | BLACK OR METRIC 0040-20 IN EPDM |
| 18 | 126772518 | SS COFF.CREAM ADJUSTMENT SHAFT SPRING |
| 19 | 140640200 | WHITE COFFEE CREAM ADJUSTMENT SHAFT |
| 20 | 11004795 | CARBONA DRIP TRAY SUPPORT G0053 |
| 21 | 11000290 | BLACK COFFEE DISPENSER TUBE P124 |
| 22 | 11004741 | BLACK DRIP TRAY GUIDE G0053 |
| 22 | 11009286 | BLACK DRIP TRAY GUIDE G0053 UL |
| 23 | 11004773 | SB/STAINLESS STEEL GRATE G0053 |
| 24 | 11008883 | TITANIO DRIP TRAY G0053 ASSY. |
| 25 | 12000070 | OR METRIC 0060-15 IN SILICONE |
| 26 | 11012479 | BLACK FRONT PLATE DISPLAY G0053/A ASSY. |
| 27 | 11002061 | BLACK SUPPORT FOR RING NUT P0053/A |
| 28 | 11002062 | BLACK BUTTONS SUPPORT P0053/A |
| 29 | 11002066 | BLACK COFFEE BUTTON SPACER P0053/A |
| 30 | 11001320 | BLACK GEAR Z=19 P0049 |
| 31 | 11001766 | TEFLON TUBE 2X4 L=125 MM ASSY. |
| 32 | 140328059 | OR 2015 SILICONE PTFE/FDA |
| 33 | 12000450 | SCREW TCB TORX 10 3,5X12 PLAST.ZN-N |
| 34 | 11002130 | COFF.DISPENSER FAST LOCK CONNECTOR P0053 |
| 35 | 9011.144 | SS FORK FOR TUBE D=4 |
| 36 | 11005996 | BLACK COFFEE DISPENSER G0053 |
| 37 | 11006504 | BLACK TUBE TEFLON INSERT G0053 |
| 38 | 11003399 | SPECCHIATO DRIP TRAY PROTECTION P0053 |
| 39 | 129913202 | SCREW TCB TORX 10 3X8 PLAST.ZN-B |
| 40 | 11007420 | COFF.DISPENSER INTERNAL CONNECT.V2 P124 |
| 41 | 11008901 | BLACK LIGHT GUIDE BODY G0053/A |
| 42 | 11001355 | BLACK COFFEE DOSE BUTTON P0049/B |
| 43 | 11002065 | TRANSP.CAP LED COVER P0053/A |
| 44 | 11002067 | BLACK COFFEE DOSE BUTTON SPACER P0053/A |
| 45 | 11008956 | SS DOOR LOCK SPRING G0053 |

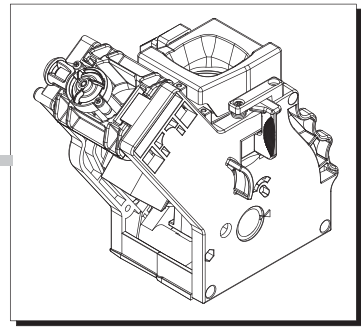
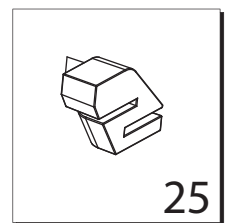
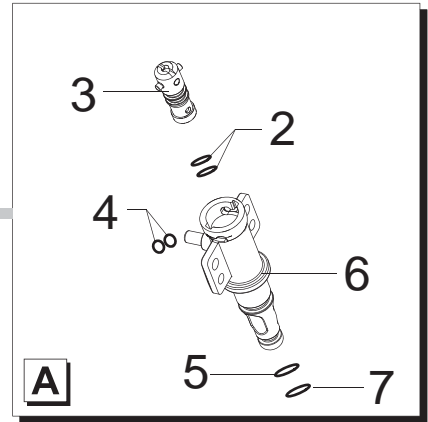
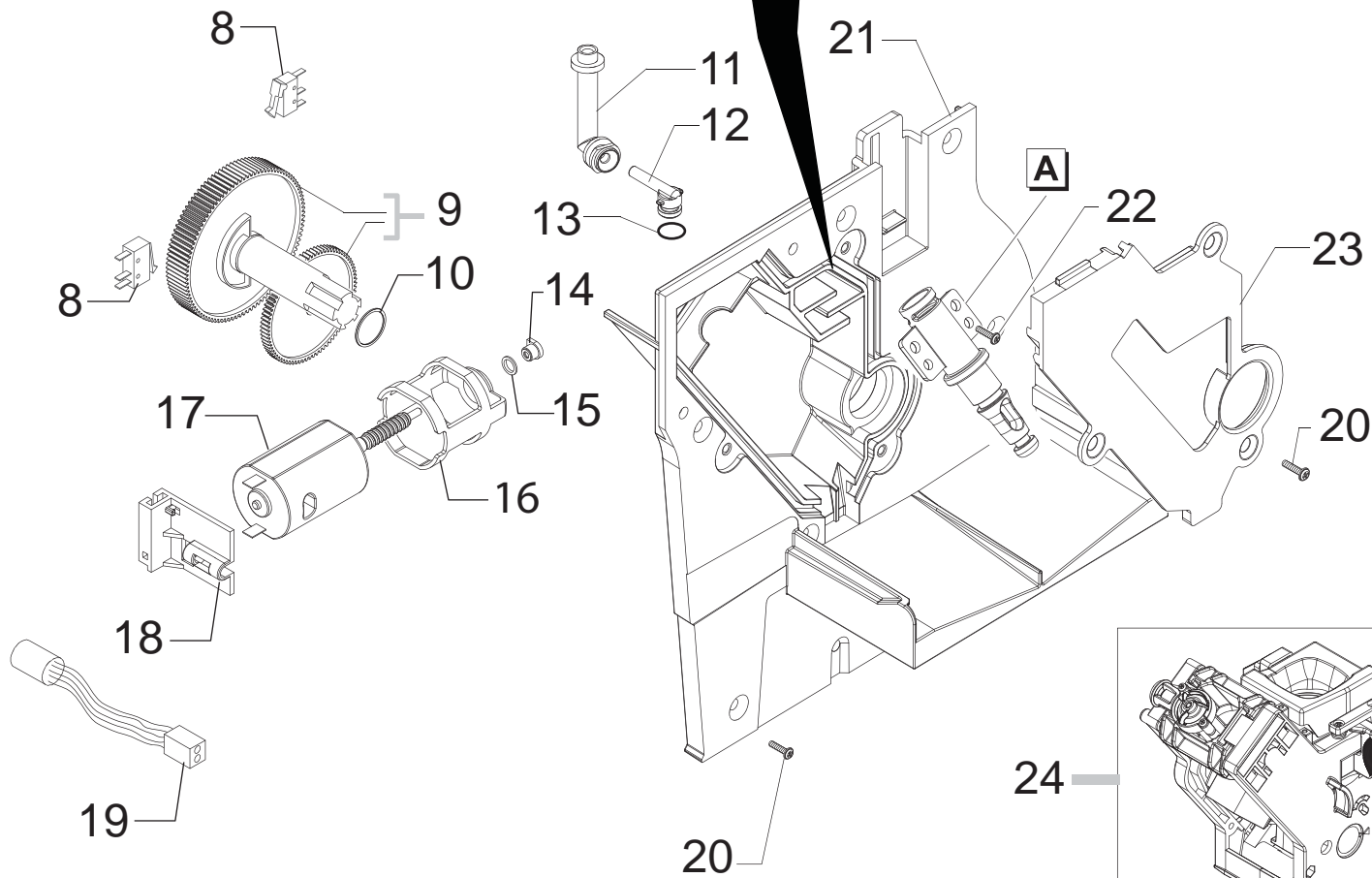
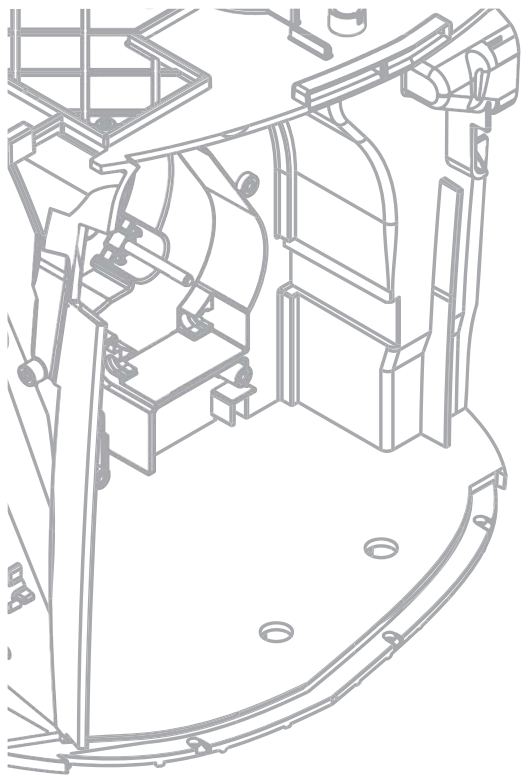
| Pos | Article-Nr. | Description |
|-----|-------------|-------------|
|-----|-------------|-------------|



| Pos | Article-Nr. | Description | Pos | Article-Nr. | Description |
|-----|-------------|--|-----|-------------|---|
| 1 | 11007189 | BLACK LEFT INSERT FOR STEAM TUBE G0053 | 48 | 11003670 | BLACK TURBINE SUPPORT V2 P0049 |
| 2 | 11006922 | BLACK RIGHT INSERT FOR STEAM TUBE G0053 | 49 | 129573202 | SCREW TCB TORX 20 M4X8 AUTOFORMING ZN-B |
| 3 | 129913902 | SCREW TCB TORX 10 3X12 PLAST.ZN-B | 50 | 129932502 | SCREW TSP 5X30 PLAST.ZN-B |
| 4 | 11005991 | SS STEAM TUBE G0053 ASSY. | 51 | 11005096 | SS FORK SPRING FOR BLOWDOWN VALVE P0049 |
| 5 | 11007194 | BLACK STEAM TUBE HANDGRIP G0053 | 52 | 12000450 | SCREW TCB TORX 10 3,5X12 PLAST.ZN-N |
| 6 | 11001620 | BLACK PANNARELLO INNER TUBE P0049 | 53 | U043.017 | SCREW TCB TORX 10 M3X12 ZN-B |
| 7 | 11001621 | SS PANNARELLO COVER P0049 | 54 | 129913202 | SCREW TCB TORX 10 3X8 PLAST.ZN-B |
| 9 | 149360200 | SILICONE TUBE 5X8 70SR IN ROLL | 55 | 140321861 | OR 2025 IN EPDM |
| 10 | 11007421 | BLACK CONNECTOR P0054 | 56 | 149361200 | BLACK SILICONE TUBE 7,5X9,3 IN ROLL |
| 11 | 16000170 | WHITE BRAIDED SILICON TUBE 3X6 IN ROL | 100 | 11008698 | TEA/BRASS FAUCET P0049-P0053 ASSY. |
| 12 | 11000465 | 4POLE FEMALE CONNECTOR P0054 | 100 | 11008845 | TUB.BOILER G0053 120V ASSY. |
| 13 | 4332055000 | SUPPORT FOR SPHERAL UNION | 100 | 11005604 | BLOWDOWN VALVE P0049 120V ASSY. |
| 14 | 12000892 | OETIKER CLAMP D=9,5 16700004 | 100 | 11005994 | TUB.BOILER G0053 230V ASSY. |
| 15 | 11005284 | BLACKBOILER CONNECTORS COVER P0049/P0053 | 100 | 11001543 | BLOWDOWN VALVE P0049 230V ASSY. |
| 16 | 12000931 | OR 108 IN EPDM FDA 70 SH | | | |
| 17 | 11001544 | BLACK FAUCET CONNECTOR P0049 | | | |
| 18 | 16000380 | 5X8,9 SILICONE TUBE IN ROLL | | | |
| 19 | 12000890 | OR 2012 IN EPDM FDA 70 SH SV | | | |
| 20 | 11004134 | TEA/BRASS FAUCET SHAFT P0049 | | | |
| 21 | 11007569 | FAUCET ELECTRONIC CARD G0053 ASSY. | | | |
| 22 | 11001499 | SS FAUCET FORK SPRING P0049 | | | |
| 23 | 11004625 | TEA/BRASS FAUCET CASING P0049 | | | |
| 24 | 11004135 | PLAST/BRASS FAUCET SHAFT P0049 ASSY. | | | |
| 25 | NF11.052 | OETIKER CLIP | | | |
| 26 | 11001546 | BLACK FAUCET STRAIGHT CONNECTOR P0049 | | | |
| 27 | 11001332 | BLACK BOILER-FAUCET-VALVE SUPPORT P0049 | | | |
| 28 | 12001034 | THERMOSTAT ONE SHOT 175° | | | |
| 28 | 189428600 | THERMOSTAT 175° 1NT-08L-5125 | | | |
| 29 | 11001751 | TUB.BOILER V3 UPPER THERM.FIXING SPRING | | | |
| 30 | 11011341 | V4 TUB.BOILER 1300W 230V ASSY. | | | |
| 30 | 11011342 | V4 TUB.BOILER 1300W 120V ASSY. | | | |
| 31 | 190800100 | TEMPERATURE SENSOR NTC UL L=280MM | | | |
| 32 | 20000591 | BLK BLOWDOWN VALVE CASING KIT P0049 | | | |
| 33 | 20000592 | BLOWDOWN VALVE CONNECTOR P0049 ASSY. | | | |
| 34 | 20000680 | BLOWDOWN VALVE COIL P0049 120V ASSY. | | | |
| 34 | 20000590 | BLOWDOWN VALVE COIL P0049 230V ASSY. | | | |
| 35 | 11002957 | SS.FAUCET FOR SPRING P0049 | | | |
| 36 | 12000005 | ANTIDISTURB FILTER 10A FNC 1005474103P | | | |
| 36 | 12000007 | QUICK-LOCK ANTIDISTURB FILTER 16A | | | |
| 37 | 147920150 | 90° INLET PUMP CONNECTOR | | | |
| 38 | 11006022 | BLACK FAUCET SUPPORT G0053 | | | |
| 39 | 11001054 | BLK PUMP OUTLET 90°CONNECTOR P0049/B | | | |
| 40 | 11006296 | BLACK PUMP SUPPORT P0049 ASSY. | | | |
| 41 | 11005668 | 2POLES CONNECTOR PUMP P0049 UL | | | |
| 42 | 140321961 | OR 2031 IN TERMOIL | | | |
| 43 | 12000140 | ULKA PUMP EP5/S GW 230V-50HZ | | | |
| 43 | 12000142 | ULKA PUMP EAP5/S 120V-60HZ | | | |
| 44 | 12000781 | TURBINE D=1,2 932-8521/90 ASSY. | | | |
| 45 | JS01.022 | SILICONE TUBE 5X10 60SH IN ROLL | | | |
| 46 | 11007550 | 6POLES CONNECTOR LEVEL+FLOWMETER G0053 | | | |
| 47 | 11000651 | WATER LEVEL SENSOR BOARD P124 | | | |



| Pos | Article-Nr. | Description | Pos | Article-Nr. | Description |
|-----|-------------|--|-----|-------------|-------------|
| 1 | 11011205 | TEA ZAMA INCREASE SCREW GRINDER | | | |
| 1 | 9141.001 | BRASS INCREMENT SCREW MC | | | |
| 2 | 149198250 | BLK UPPER COFFEEGRINDER GRINDER SUPPORT | | | |
| 3 | 140328960 | NBR FDA OR METRIC 0530-15 | | | |
| 4 | 146520100 | BAKED CLAY GRINDER 48X28 | | | |
| 5 | 127473603 | STEEL PIN M4-M6 FOR INCREMENT SCREW | | | |
| 6 | 129574802 | SCREW TCB TORX 20 M4X30 ZN-B | | | |
| 7 | 123030300 | AXIAL BEARING EKKO 342.35252 | | | |
| 8 | 140360500 | FELT RING 45,4X39,4X4 | | | |
| 9 | 11012564 | BLK GROUND COFF.OUTLET CONVEYOR V2 ASSY. | | | |
| 10 | 145854462 | BLK GROUND COFFEE CONT.LOWER SEAL SMART1 | | | |
| 11 | 226000300 | GEAR SX Z=38 FOR GRINDER MOTION ASSY. | | | |
| 12 | 11000511 | MOTOR COFFEEGRINDER V3.1 120V ASSY. | | | |
| 12 | 11000513 | MOTOR COFFEEGRINDER V3.1 230V ASSY. | | | |
| 13 | 149214800 | MC V3 MOD=1,25 WORM SCREW CENTRING CAP | | | |
| 14 | 129661702 | SCREW TCB TORX 3,5X30 PLAST.ZN-B | | | |
| 15 | 11002873 | INSULATOR BUSH FOR GRINDER MOTOR P124 | | | |
| 16 | 11000597 | COFFEE GRINDER SUPPORT SPRING P124 | | | |
| 17 | 11001826 | COFFEE GRINDER SOUNDPROOFING COVER P0053 | | | |
| 18 | 11002508 | UPPER COFFEEGRINDER GEAR SUPPORT P124 | | | |
| 19 | 11003446 | BLACK BEAN COFFEE GRINDER INSERT P0049 | | | |
| 20 | 11003784 | COFFEE GRINDING ADJUSTMENT GEAR P0049 | | | |
| 21 | 11002572 | COFFEEGRINDER REGULATION SPRING P124 | | | |
| 22 | 11002613 | LOWER COFFEEGRINDER GEAR SUPPORT P124 | | | |
| 23 | 142905450 | BLK UPPER BODY WITH COFFEE GROUND OUTLET | | | |
| 24 | 128381800 | STEEL CRINKLE WASHER 21,8X14X0,25 | | | |
| 25 | 123030200 | RADIAL BEARING 61900.2RS1 | | | |
| 26 | 181540900 | ELECTR.BOARD WITH SENSOR HAL506 SF-K | | | |
| 27 | 11001367 | BLACK COFFEE GRINDER SUPPORT P0049 | | | |
| 28 | 149199050 | BLK SENSOR SUPPORT FOR COF.GRINDER MOTOR | | | |
| 29 | 128381902 | STEEL FLAT WASHER DI=4,3 DE=14 SP=1,5 | | | |
| 30 | 123453102 | GALV.SELF LOCK NUT HIGH M4 DIN 982 | | | |
| 31 | 128310402 | GALV.WASHER UNI 8842 A4 | | | |
| 32 | 11005658 | 5POLES CONNECTOR MC SENSORS P0049 UL | | | |
| 33 | 129914002 | SCREW TCB TORX 10 3,5X16 PLAST.ZN-B | | | |
| 34 | 149198350 | BLK LOWER COFFEEGRINDER GRINDER SUPPORT | | | |
| 100 | 11007416 | GEN.MOTOR COF.GRINDER V2 P0049 230V ASSY | | | |
| 100 | 11007417 | GEN.MOTOR COF.GRINDER V2 P0049 120V ASSY | | | |



| Pos | Article-Nr. | Description |
|-----|-------------|--|
| 1 | 11005113 | PIN V2 FOR BOILER P049/B ASSY. |
| 2 | 140324459 | OR ORM 0060-20 SILICONE PTFE/FDA |
| 3 | 11003820 | BLACK CAP V2 FOR PIN BOILER P119 |
| 4 | 140328059 | OR 2015 SILICONE PTFE/FDA |
| 5 | NM01.035 | OR ORM 0090-20 SILICONE |
| 6 | 11003801 | NAT.PIN V2 FOR BOILER P119 |
| 7 | NM01.057 | OR ORM 0050-20 IN SILICONE |
| 8 | NE05.038 | MICROSWITCH SAIA XCG5-81-P5 |
| 9 | 20000900 | SPARES KIT GEARS FOR RATIOMOTOR V2 |
| 10 | 9161.132 | MYLAR WASHER FOR RATIOMOTOR |
| 11 | 11004086 | BLK VALVE WATER DESCARGING 90°CONN.P0049 |
| 12 | 11003648 | BLK COVER WATER DESCARGING 90°CONN.P0049 |
| 13 | 140325462 | OR METRIC 0070-20 IN SILICONE |
| 14 | 9121.046 | BRONZE SINTERED BUSH FOR MOTOR RATIOMOT. |
| 15 | 148380200 | BAKELIZZATE WASHER D=5,5 |
| 16 | 9121.044 | ANTIVIBRATION FOR MOTOR |
| 17 | 11003037 | MOTOR FOR RATIOMOTOR ASSY. |
| 18 | 11001331 | BLACK DUMP BOX MICROSWITCH SUPPORT P0049 |
| 19 | 11003661 | REED SENSOR MK3-1A66-BV16451 |
| 20 | 129914102 | SCREW TSP TORX 10 3,5X12 PLAST.ZN-B |
| 21 | 11009287 | BLACK COVER MOUNTING PLATE P0049 UL ASSY |
| 21 | 11006337 | BLACK COVER MOUNTING PLATE P0049 ASSY. |
| 22 | 129914002 | SCREW TCB TORX 10 3,5X16 PLAST.ZN-B |
| 23 | 11009284 | BLACK COVER FOR BOILER VAIN P0049 UL |
| 23 | 11001312 | BLACK COVER FOR BOILER VAIN P0049 |
| 24 | 11005921 | BLACK BREW UNIT 8GR/SBS V2 P124 |
| 25 | 11022216 | BLACK MOUNTING PLATE COVER PROTECT.P0049 |

| Pos | Article-Nr. | Description |
|-----|-------------|-------------|
|-----|-------------|-------------|