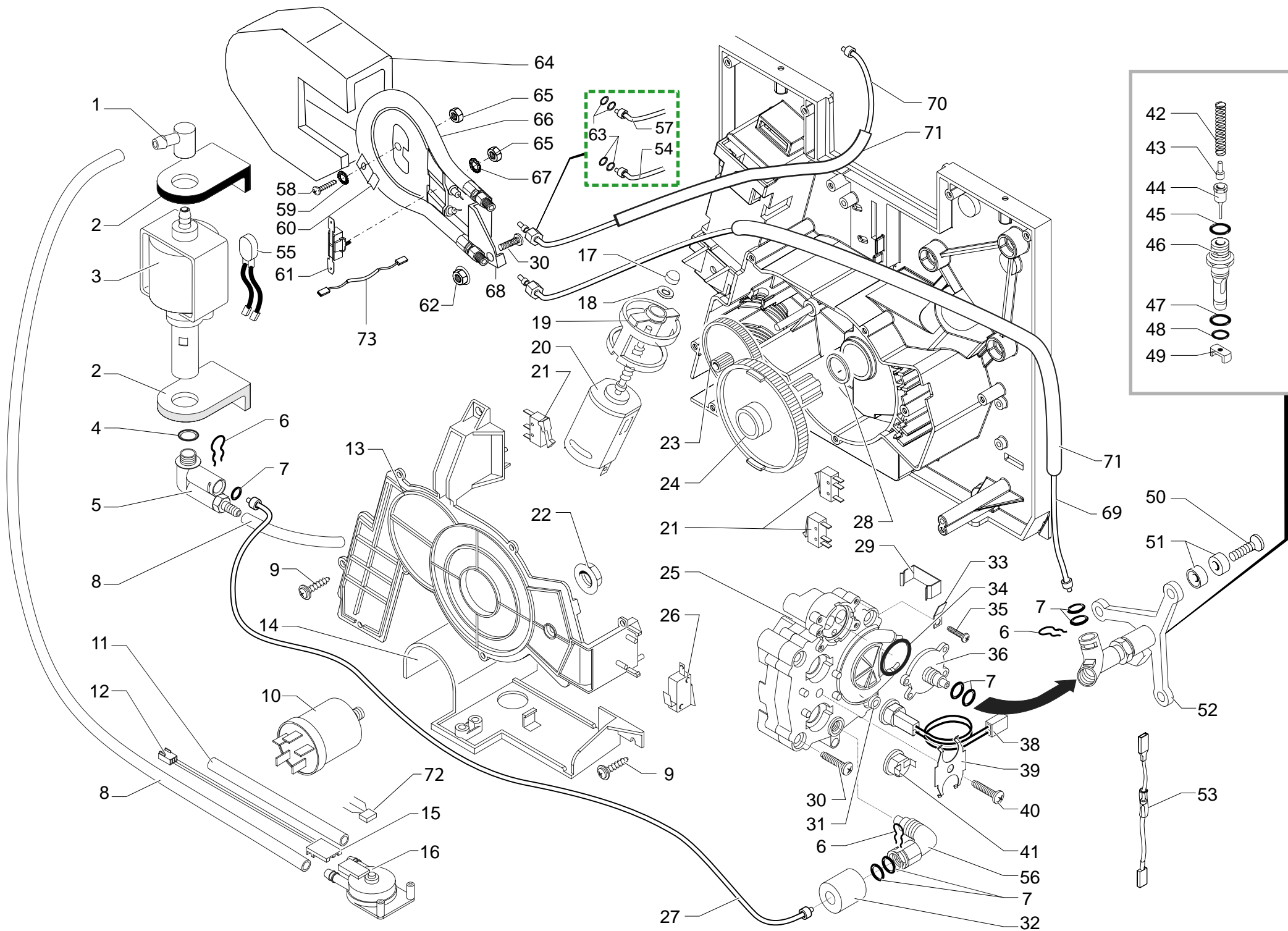
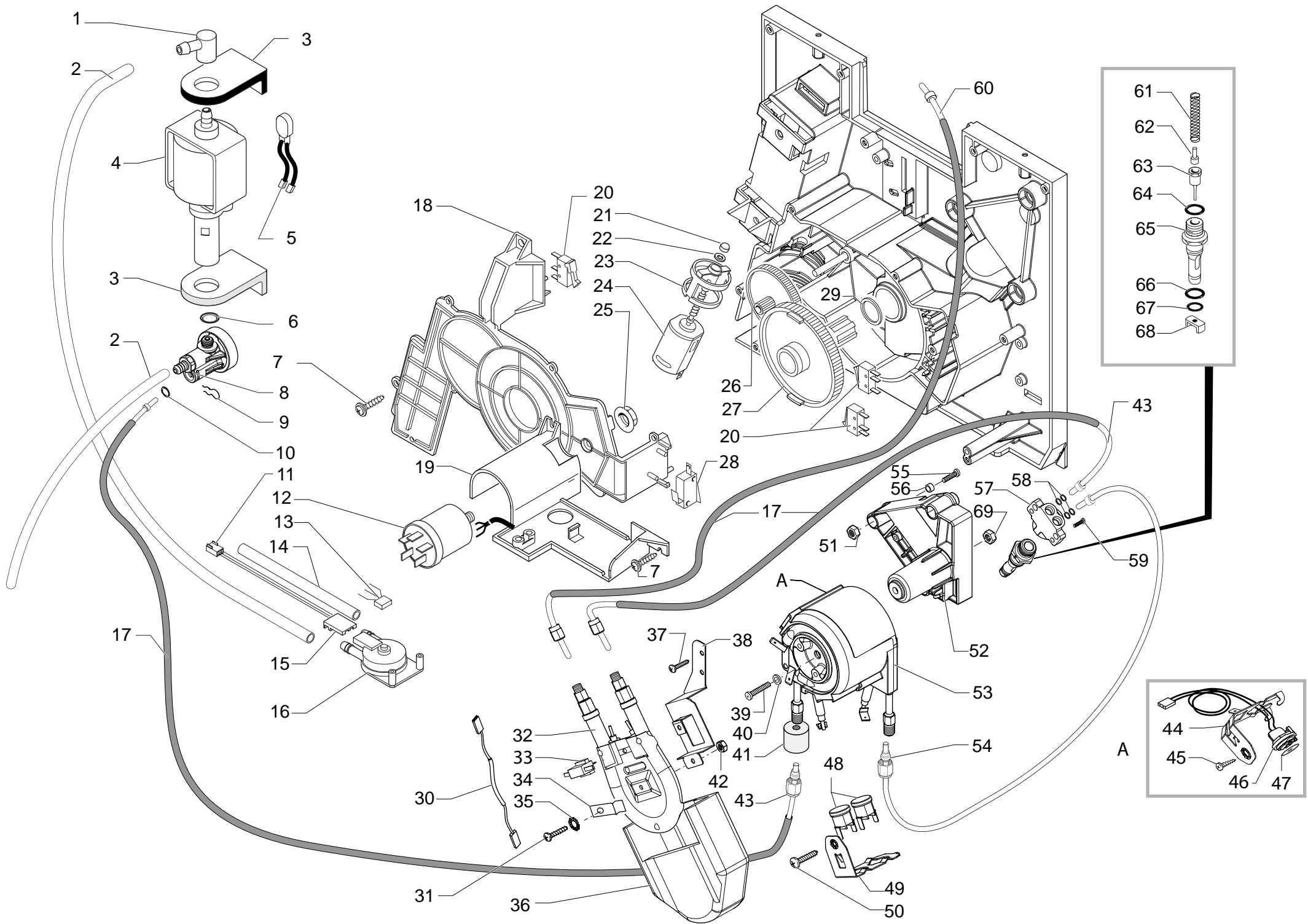


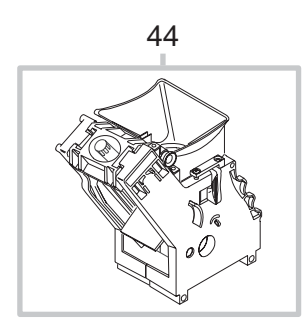
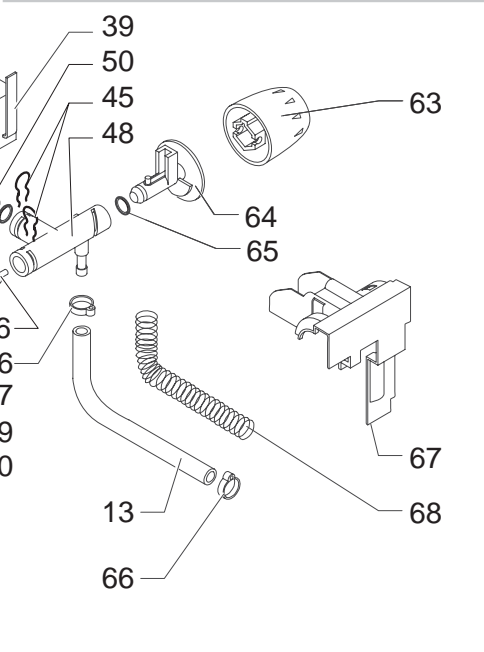
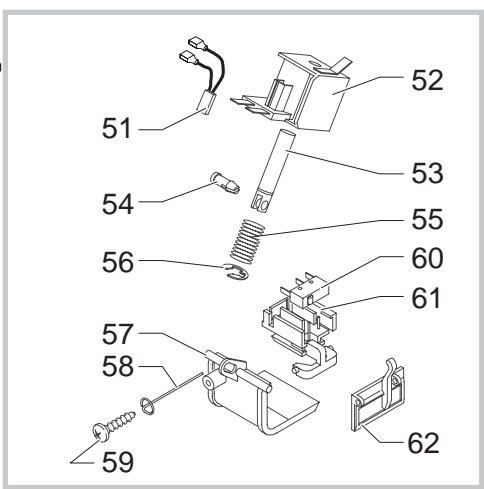
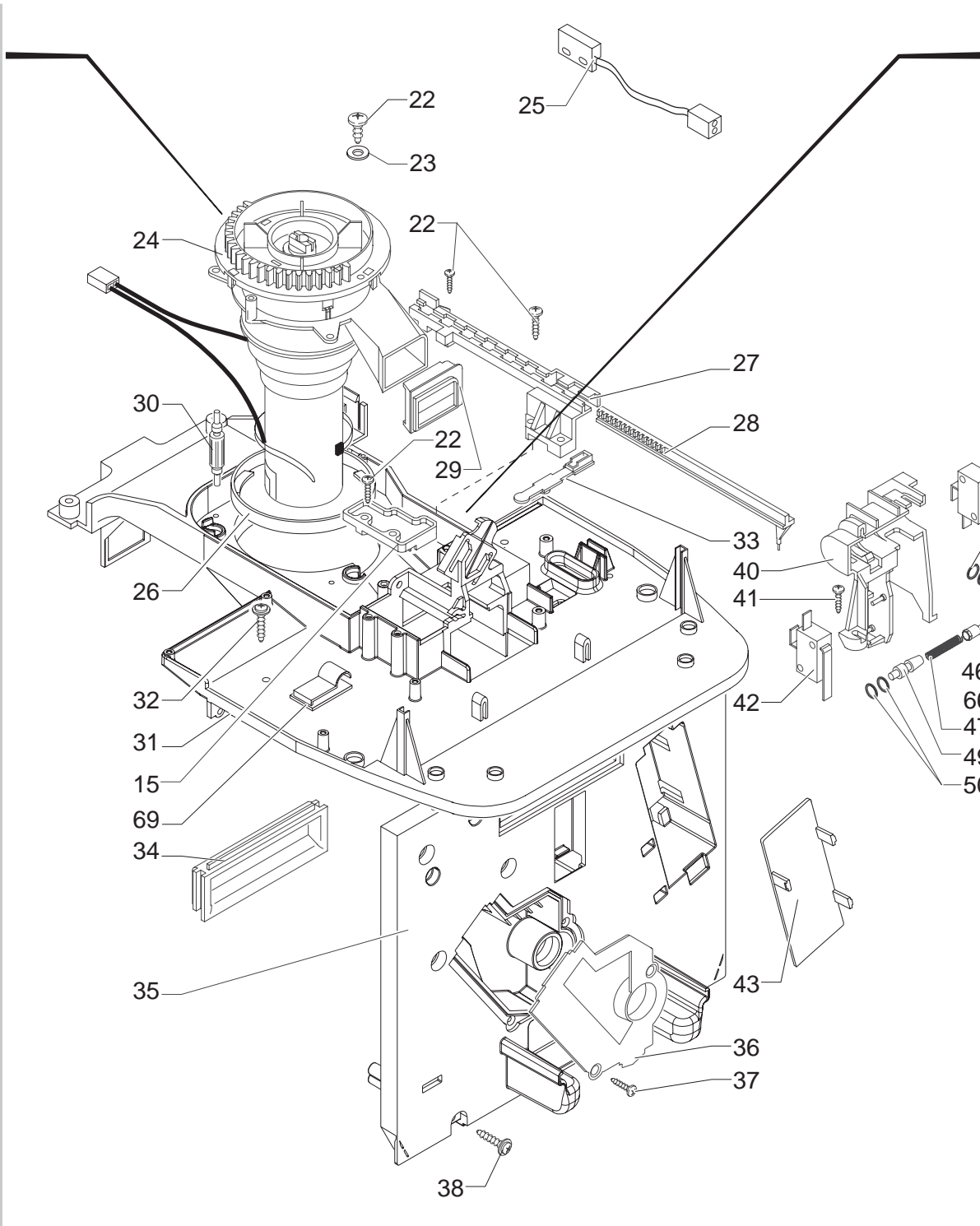
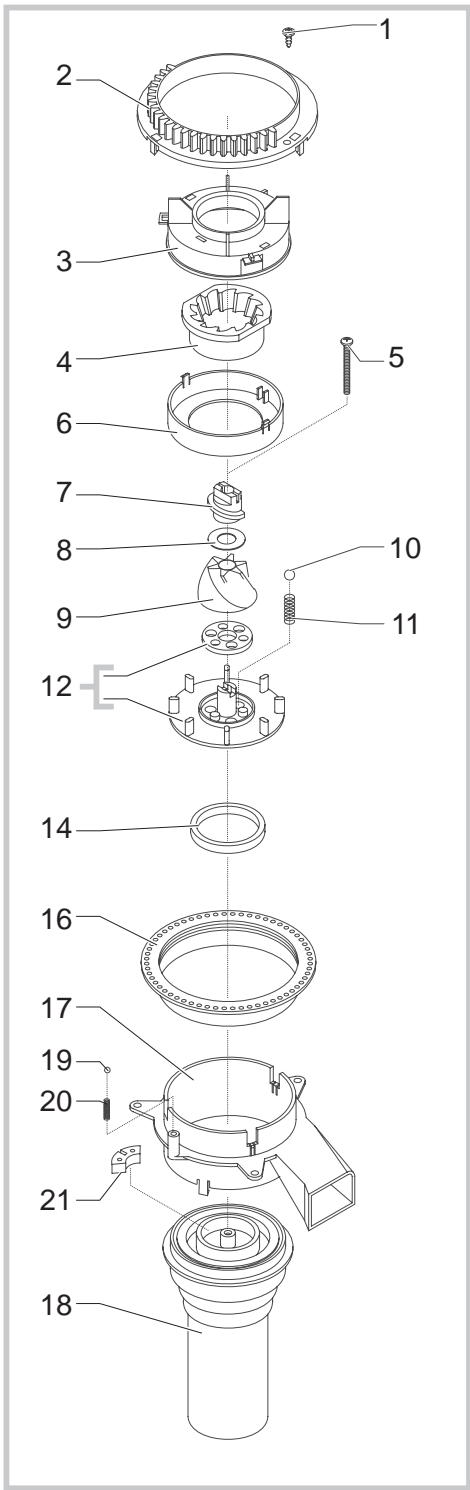
Pos	Article-Nr.	Description	Pos	Article-Nr.	Description
1	222763737	8401/SILVER WATER CONTAINER LID G100	48	127390100	BRUSH FOR CLEANING
2	140328461	EPDM OR METRIC 0190-10	49	U109.017	screw AUT.TCB 2,9X6,5 DIN 7981 C
3	222692800	NAT/GREY WATER CONTAINER G100 ASSY.	50	181552755	TERMINAL BOARD FOR G100 DIG.RS.230V
4	140324362	OR METRIC 0060-30 IN SILICONE	50	181552758	TERMINAL BOARD FOR G100 DIG.RS.230V
5	126764718	SS WATER CONTAINER VALVE SPRING	50	181557855	TERMINAL BOARD FOR G100 DIG.RS.120V
6	9111.027.150	GREY PISTON FOR WATER CONTAINER MAGIC	50	181557858	TERMINAL BOARD FOR G100 DIG.RS.230V
7	183911050	BLACK POWER CABLE SCHUKO L=1200	51	U109.017	screw AUT.TCB 2,9X6,5 DIN 7981 C
7	183921950	POWER CABLE SJT3 USA BLACK UL L=1200	52	9161.021.150	KEY FOR BREW UNIT GREY
7	183930650	POWER CABLE CH BLACK 3X1 H05VV-F L=1200	53	NF11.084	PHOSPH/STEEL FOLK SPRING
7	183940650	BLACK POWER CABLE AUSTRALIA L=1200	54	9161.384	SPACER FOR CONNECTION STEAM TUBE
7	183970350	BLACK POWER CABLE UK L=1200	55	149196850	CONNECTOR STEAM SUPPORT G100 BLACK
8	175897500	UPPER POLYSTIR.INSERT FOR BOX G100	56	229381808	CHROMATE STEAM TUBE G100 ASSY.
9	175897600	LOWER POLYSTIR.INSERT FOR BOX G100	57	228982537	DOOR SILVER/8401 G100
10	178512400	FLEXOGRAP.BOX GAGGIA SYNCR.COMP.DIGITAL	58	125743587	GRATE G100 STAINLESS STEEL/SB
11	222360937	8401/SILVER CASING G100 ASSY.	59	U109.003	SCREW TCB 3,5X9,5 DIN 7981 C NICK
12	9161.050.230	NAT/TRANSP.FLOATING SPACE PLUG MAGIC	60	227431321	SS/SS PANNARELLO G100 ASSY.
13	222763637	8401/SILVER BEAN COFFEE CONTAIN.LID G100	61	129515802	SCREW TCB 3,5X13 DIN 7981 GALV.
14	9161.112.150	GREY LEVEL FLOAT	62	127914403	NIK/BRASS 90°CONNECTOR STEAM TUBE G100
15	227721650	BLACK GRIND.ADJUSTM.KNOB S/SCR.G100	63	NM02.007	OR 2025 IN TERMOIL
16	222730200	NAT/GREY BEAN CONT.W/PROTECT.G100 ASSY.	64	226477587	KIT TOUCH PANEL SUPP.G100 S/SCREEN
17	146000850	BLK COFFEE GRIND.ADJUSTM.KNOB GEAR COMBI	65	281520537	TOUCH PANEL ELEC.BOARD AS.G100 D.RS
18	0701.031.150	GREY WATER VALVE GACO DIM 14 SEAL COVER	66	165894500	MANUAL GAG SYN.COMPACT DIG.
19	145842900	NBR WATER CONT.VALVE GACO DIM14 SEAL	67	226582937	FRONT PLA.DOOR G100 SILV.S/S.GAGGIA
20	U111.004	screw AUT.TSP 2,9X9,5 DIN 7982 C	68	145895850	ROTATING RING RETAINING INSERT
21	0701.014.150	GREY WATER VALVE GACO DIM 14 SEAL CONT.	69	224640200	WHITE WATER CONTAINER EXT.FILTER ASSY.
22	NM02.004	OR ORM 0080-20 TERMOIL	70	227721550	BLACK COFF.DOSE ADJUSTM.KNOB S/SCR.G100
23	186015400	GENERAL SWITCH B111C112X0057W	71	181552900	ELECTRONIC BOARD DISPLAY G100DIG.RS
24	U140.014	PANELVIT TCB 3,5X16 DIN 7505 B GAL			
25	NE13.013	CUP SOCKET EN 60320 C 13			
26	220380259	GREY REVOLVING RING WITH 3 FEET SMART			
27	147623650	SQUARE ADHESIVE FOOT NB4256 BLACK			
28	146001950	BLACK COFFEE DOSE ADJUSTM.GEAR SMART			
29	145852360	BEAN COFFEE CONTAINER SEAL SMART			
30	147623750	BLACK ROUND FOOT			
31	222600537	8401/SILVER DUMP BOX G100			
32	229631137	8401/SILVER DRIP TRAY G100			
33	222802037	8401/SILV.GROUND COF.CONT.LID G100 ASSY.			
34	146680850	BLACK COFFEE MEASURE SMART			
35	U109.028	SCREW AUT.TCB 2,9X9,5 DIN 7981 C			
36	149261050	BLACK HOPPER GROUND COFFEE DOSER G100			
37	283555100	CONNECT.AS.10POLE FOR CPU G100 D.RS			
38	145852660	BLK GROUND COFFEE CONTAINER SEAL G100			
39	149212650	CAP COFF.DISPEN.HEAD SUP.BLACK G100			
40	149196950	COFF.DISPENSER HEAD SUP.BLACK G100			
41	226477637	COVER G100 SILVER/8401 SILK/SCREEN			
42	147370550	MOBILE PART COFFEE DISPENSIG G100			
43	129515802	SCREW TCB 3,5X13 DIN 7981 GALV.			
44	U109.028	SCREW AUT.TCB 2,9X9,5 DIN 7981 C			
45	149197000	UNPAINTED DOOR SUPPORT G100			
46	146314050	BLACK DISENGAGE LEVER DOOR G100			
47	229170450	DRIP TRAY SEALING SUPPORT SMART			



Pos	Article-Nr.	Description	Pos	Article-Nr.	Description
1	9991.084	RUBBER CONNECTION 90° ULKA	49	9011.099	HOT WATER PIN CURSOR
2	9991.056	SUPPORT FOR PUMP	50	U044.020	screw TSP M5,0X30 UNI 7688 GALV.
3	187720955	ULKA PUMP EX 5 120 VOLT	51	9161.206	INSULATING SPACER FOR BOILER
3	187720958	ULKA PUMP EX 5 230 VOLT	52	229170600	BRASS ALU.BOILER SUPP.M4000/SMART ASSY.
4	NM02.020	OR 2031 TERMOIL	53	183441362	CABLE 1WIRE SILIC.BLUE TH/FUSE 192°
5	229451900	SAFETY VALVE TO 90° SMART ASSY.	54	227874100	CONNECTOR AS.TEFLON 2X4 L=275 MM
6	9011.144	SS FORK FOR TUBE D=4	55	0311.807	YELLOW HARNESS KLIXON JP 13
7	140328059	OR 2015 SILICONE PTFE/FDA	55	289202600	THERMAL PROTECTOR 120C
8	9972.022	SILICONE TUBR 5X8 L.2MT	56	9991.150	BRASS CONNECTOR 1/8" CONICAL AT 90°
9	U143.003	PANELVIT TCB 3,5X16 TESTA D.8 GALV	57	227874500	CONNECTOR AS.TEFLON 2X4 L=330 MM
10	NE13.039	ANTIDISTURB FILTER 0,47X2+1000Y2+0	58	129823802	TCB SCREW M4X8 UNI 7687 ZNP
11	9972.166	SILICONE TUBE 5X10 60SH L=200 MM	59	128310404	WASHER UNI 8842 A4 BURNISHED
12	283551300	3POLES CONNECTOR TURBINE JP18 SMART ASSY	60	127535319	GALV/STEEL THERMAL FUSE FIXING PLATE
13	9161.331.920	TRANSPARENT RATIOMOTOR COVER	61	189428300	THERMOSTAT 175° INTERCONTR.161471002
14	149194800	NATURAL TURBINE SUPPORT SMART	62	U324.003	NUT M5 FLANGED INDENTED BASE
15	9161.018	BRACKET FOR TURBINE	63	140328059	OR 2015 SILICONE PTFE/FDA
16	286473300	-M-VDE TURBINE WITH SENSOR KIT	64	147755900	HEAT.ELEMENT PROTECTION BLECKMANN SMART
17	9121.046	BRONZE SINTERED BUSH FOR MOTOR RATIOMOT.	65	123260402	GALV.NUT M4 UNI 5588 A-6S
18	9121.050	BAKELITE WASHER D.5.5	66	286474855	SPARES KIT BLECKMANN G100 120V
19	9121.044	ANTIVIBRATION FOR MOTOR	66	286474858	SPARES KIT BLECKMANN G100 230V
20	286891058	GEN.ASS.MOTOR 230V FOR RATIOMOTOR	66	288140455	HEATING-ELEMENT BLECKMAN ASSY.120V 1000W
20	286891155	GENER.MOTOR FOR RATIOMOTOR SMART UL ASSY	66	288140458	HEATING-ELEMENT BLECKMAN ASSY.230V 1000W
21	NE05.038	MICROSWITCH SAIA XCG5-81-P5	67	128420102	GALV.ELASTIC WASHER UNI 1751 B4
22	123453602	FLANGE NUT M8 TOOTHED BASE GALV.	68	129024702	GALV.BRACKET BOILER SUPPORT G100
23	9121.042	GEAR Z=12/90	69	227875300	CONNECTOR AS.TEFLON 2X4 L=275 MM
24	9121.069.150	GEAR Z=108 FOR MOUNTING PLATE M4000	70	227875400	CONNECTOR AS.TEFLON 2X4 L=330 MM
25	9019.A19.00A	BOILER CASINGS ASS. PROFESS. 230V	71	149361200	BLACK SILICONE TUBE 7,5X9,3 IN ROLL
26	186723800	MICROSWITCH SAIA X3M502K2KAM92AS	73	183440800	CABLE 1 WIRE SILIC.BLACK THERM/FUSE 229°
27	227874400	TEFLON TUBE 2X4 L=120 MM ASSY	73	183441062	CABLE 1WIRE SILICONE BLACK AWG18+TH/FUSE
28	9161.132	MYLAR WASHER FOR RATIOMOTOR			
29	9011.054	SPRING FOR THERMAL FUSE			
30	U023.023	screw TCEI M6,0X40 UNI 5931			
31	9011.089	SPACER FOR SENSOR			
32	147756562	BLK PROTECTION FOR FOLK SPRING TUBE D=4			
33	NE15.026	MALE TONGUE 45° 6,3 D.5,2			
34	140324559	OR 2106 SILICONE PTFE/FDA			
35	U046.003	SCREW TCBD TORX 20 M4X12 ZN-B			
36	229182920	BRASS SUPPORT BOIL.W/O.VALVE M4000			
37	NM01.003	***OR 2018 SILICONE			
38	288582055	SENSOR ASS.CA G100 120V			
38	288582058	SENSOR ASS.CA G100 230V			
39	9011.034	THERMOSTAT RETAINING SPRING			
40	U023.022	SCREW TCEI M6,0X30 UNI 5931 8.8 ZNP			
41	NE09.006	THERMOSTAT 170°NC FAST. 90°+WASHER			
42	9011.132	SS SPRING FOR PIN			
43	9011.075	ADAPTER FOR LONG PIN			
44	9019.A01	PIN ASS.			
45	140320459	OR ORM 0080-20 SILICONE PTFE/FDA			
46	9011.100	PEG FOR VALVE IN PLASTIC			
47	NM01.035	OR ORM 0090-20 SILICONE			
48	NM01.057	OR ORM 0050-20 IN SILICONE			



Pos	Article-Nr.	Description	Pos	Article-Nr.	Description
1	9991.084	RUBBER CONNECTION 90° ULKA	47	145951600	ELECTRIC INSULATING D=16 SP=0,4
2	149360200	SILICONE TUBE 5X8 70SR IN ROLL	48	189428600	THERMOSTAT 175° 1NT-08L-5125
3	149185850	EATON PUMP SUPPORT 4002012 MAGIC	49	126838117	2 THERMOSTATS FIXING SPRING
4	187720955	ULKA PUMP EX 5 120 VOLT	50	129573202	SCREW TCB TORX 20 M4X8 AUTOFORMING ZN-B
4	187720958	ULKA PUMP EX 5 230 VOLT	51	123453302	GALV.SELF LOCK NUT M5 DIN 982
5	0311.807	YELLOW HARNESS KLIXON JP 13	52	149197700	BLACK SUPPORT FOR TUBOL.BOILER SMART
5	289201000	THERMAL. PROTECT 120°C CABLE.125/3	53	282058855	V2 TUB.BOILER W/ADDIT.RESIST.1100W 120V
6	140321961	OR 2031 IN TERMOIL	53	282058858	V2 TUB.BOILER W/ADDIT.RESIST.1100W 230V
7	U143.003	PANELVIT TCB 3,5X16 TESTA D.8 GALV	54	227876800	CONNECTOR TEFLON 2X4 L=235 MM ASSY.
8	229452100	COMPENSATION AND SAFETY VALVE 16BAR ASSY	55	U044.020	screw TSP M5,0X30 UNI 7688 GALV.
9	9011.144	SS FORK FOR TUBE D=4	56	9161.206	INSULATING SPACER FOR BOILER
10	140328059	OR 2015 SILICONE PTFE/FDA	57	227900320	BRASS CONNECTOR FOR BOILER SUPPORT
11	283551300	3POLES CONNECTOR TURBINE JP18 SMART ASSY	58	140328059	OR 2015 SILICONE PTFE/FDA
12	184651500	LOCKING SCREW ANTIDISTURB FILTER 16A	59	129910103	HI -LO TC SCREW 3,5X15 RIF.910189
12	NE13.039	ANTIDISTURB FILTER 0,47X2+1000Y2+0	60	227875400	CONNECTOR AS.TEFLON 2X4 L=330 MM
14	9972.166	SILICONE TUBE 5X10 60SH L=200 MM	61	9011.132	SS SPRING FOR PIN
15	9161.018	BRACKET FOR TURBINE	62	127471620	BRASS PIN FOR PISTON L=10
16	286473300	-M-VDE TURBINE WITH SENSOR KIT	63	227660100	BRASS PISTON L=20,9 ASSY.
17	149361200	BLACK SILICONE TUBE 7,5X9,3 IN ROLL	64	140320459	OR ORM 0080-20 SILICONE PTFE/FDA
18	9161.331.920	TRANSPARENT RATIOMOTOR COVER	65	9011.100	PEG FOR VALVE IN PLASTIC
19	149194800	NATURAL TURBINE SUPPORT SMART	66	NM01.035	OR ORM 0090-20 SILICONE
20	NE05.038	MICROSWITCH SAIA XCG5-81-P5	67	NM01.057	OR ORM 0050-20 IN SILICONE
21	9121.046	BRONZE SINTERED BUSH FOR MOTOR RATIOMOT.	68	9011.099	HOT WATER PIN CURSOR
22	9121.050	BAKELITE WASHER D.5.5	69	123160502	GALVANIZED NUT M5 HIGH UNI 5587-68
23	9121.044	ANTIVIBRATION FOR MOTOR	100	282136055	ALUM.BOILER 120V AS.WITH RESISTANCE
24	286892255	GEN.MOTOR FOR RATIOMOTOR SMART/V2 UL ASS	100	282136058	ALUM.BOILER 230V AS.WITH RESISTANCE
24	286892258	GENER.MOTOR FOR RATIOMOTOR SMART/V2 ASSY	100	289435300	GENERAL TURBINE AS.FOR G100
25	123453602	FLANGE NUT M8 TOOTHED BASE GALV.			
26	9121.042	GEAR Z=12/90			
27	9121.069.150	GEAR Z=108 FOR MOUNTING PLATE M4000			
28	186723800	MICROSWITCH SAIA X3M502K2KAM92AS			
29	9161.132	MYLAR WASHER FOR RATIOMOTOR			
30	183440800	CABLE 1 WIRE SILIC.BLACK THERM/FUSE 229°			
30	183441062	CABLE 1WIRE SILICONE BLACK AWG18+TH/FUSE			
31	129823802	TCB SCREW M4X8 UNI 7687 ZNP			
32	288140455	HEATING-ELEMENT BLECKMAN ASSY.120V 1000W			
32	288140458	HEATING-ELEMENT BLECKMAN ASSY.230V 1000W			
33	189428300	THERMOSTAT 175° INTERCONTR.161471002			
34	127535319	GALV/STEEL THERMAL FUSE FIXING PLATE			
35	128310404	WASHER UNI 8842 A4 BURNISHED			
36	147755900	HEAT.ELEMENT PROTECTION BLECKMANN SMART			
37	129573402	SCREW TAPT M4X10 DIN 7985 GALV			
38	129025002	TUB.BOILER SUPPORT BRACKET SMART			
39	129827402	TCB SCREW M5X20 UNI 7687 ZNP			
40	128310521	WASHER UNI 8842 A5 SS			
41	147756562	BLK PROTECTION FOR FOLK SPRING TUBE D=4			
42	123260402	GALV.NUT M4 UNI 5588 A-6S			
43	227874900	CONNECTOR AS.TEFLON 2X4 L=250 MM			
44	126838217	SENSOR FIXING SPRING			
45	129573202	SCREW TCB TORX 20 M4X8 AUTOFORMING ZN-B			
46	288582300	SENSOR ELECT.BOARD WITH CONNECTOR ASSY.			



Pos	Article-Nr.	Description	Pos	Article-Nr.	Description
1	129511803	SCREW TCB 2,9X6,4 DIN 7981 NICK	48	0345.078	BLACK FAUCET BODY MOD.
2	148650250	SECTOR GEARGRIND ADJUSTMENT KNOB COMBI	49	9161.379	BRASS STEAM FAUCET PLUG
3	149186150	BLACK UPPER GRINDER SUPPORT MAGIC	50	140328059	OR 2015 SILICONE PTFE/FDA
5	129931002	TORX SCREW T10 TCB 3,5X40 SX ZNG	51	289202200	THERMAL.PROTECTOR 100°C
6	142844550	UPPER GRINDER COVER COFFEE GRIND. MAGIC	52	283770658	ELECTROMAGN.SMART 230V ASSY.
7	147470763	INCREASE SCREW PIN COFFEE GRINDER MAGIC	53	9161.041	DOSER ELECTROMAGNET CORE
8	U201.002	PLAIN WASHER 10X16X0,2DIN 988 GAL	54	9161.076.150	DOSER DOOR PIN GREY
9	226477700	KIT ITAL MILL GRINDERS	55	9161.044	DOSER ELECTROMAGNET SPRING
10	128610521	STAIL.STEEL AISI 304 SPHERE D=5,5MM	56	U701.003	SNAP RING 7 UNI 7434
11	126765517	STEEL SPRING SPHERE D=5,5 MOTOR MAGIC	57	9161.074.150	DOSER DOOR GREY
12	149188750	CONICAL GRIND. SUPP. + RING MAGIC	58	9161.048	SCRAPER ROD
13	229433200	BRAIDED SILICONE TUBE 3X7 L=175 MM	59	U140.004	PANELVIT TCB 3,0X12 DIN 7505 B GAL
14	140360200	FELT RING 40X34X5	60	NE05.017	MICROSWITCH
15	145895400	INSERT FOR DOSER SMART	61	9161.072.150	MICRO SUPPORT CURSOR GREY
16	146570950	RING NUT FOR GRINDING ADJUSTMENT MAGIC	62	9161.073.150	DOSE CONTROL COMPENSATOR GREY
17	149194200	BLACK GRINDER MOTOR SUPPORT SMART	63	227701237	STEAM KNOB SILVER/8401
18	286851855	MOTOR AS.120V NEW MAGIC DE LUXE	64	140640300	FAUCET SHAFT SMART
18	286851858	MOTOR AS.230V NEW MAGIC DE LUXE	65	140328561	OR D=4,18 X 1,90 IN TERMOIL
19	128610421	STAIL.STELL AISI 304 SPHERE D=3,2MM	66	NF11.052	OETIKER CLIP
20	126770117	NEW SPRING SPHERE D=3,2 MOTOR MAGIC	67	147756400	BLACK STEAM FAUCET PROTECTION SMART
21	140230400	SHOCK ABS .CONICAL GRINDER SUPP.MAGIC	68	126772018	BRAIDED SILICONE TUBE 3X7 SPRING DI=7,5
22	129660102	PANELVIT TCB SCREW 3,5X18 D.7505 Z	69	NE17.018	ADHESIVE ROUND CABLE RETAINER
23	U207.004	PLAIN WASHER 4,3X16 UNI 6592 GAL			
24	286884555	GENERAL MOTOR AS.120V G100			
24	286884558	GENERAL MOTOR AS.230V G100			
24	286884658	GENERAL MOTOR G100 ITALY 230V ASSY.			
25	283553100	2 POLE LEVEL CONNECTOR AS.G100			
25	283553155	2 POLE LEVEL SENSOR AS.G100 120V			
26	9141.052	BLACK COFFEEGRINDER REINFORCING RING			
27	147572150	PLATE FIXING TOOTHED SLIDE SMART			
28	148740550	TOOTHED SLIDE FOR DOSE ADJUST SMART			
29	145851862	BLACK GROUND COFFEE OUTLET SEAL SMART			
30	9991.103	ANTIVIBRATION FOR COFFEEGRINDER			
31	147531400	BLACK GRINDER SUPPORT PLATE G100			
32	U143.003	PANELVIT TCB 3,5X16 TESTA D.8 GALV			
33	9161.122.150	DOSE ADJUSTMENT LEVER GREY CLASSIC			
34	145895350	BLACK MOUNTING PLATE INSERT SMART			
35	9161.392.050	BLK MOUNTING PLATE WITH PIN NESPRES.ASSY			
36	9161.333.050	BLACK BOILER COVER SMART			
37	U111.006	screw AUT.TSP 3,5X9,5 DIN 7982 C			
38	U140.014	PANELVIT TCB 3,5X16 DIN 7505 B GAL			
39	186724200	MICROSWITCH SAIA X3M502K2KAJ32AV			
40	149194500	BLACK STEAM FAUCET SUPPORT SMART			
41	129515802	SCREW TCB 3,5X13 DIN 7981 GALV.			
42	186724200	MICROSWITCH SAIA X3M502K2KAJ32AV			
43	9161.345.050	BLACK INTERNAL COVERING PUMP SPACE			
44	225801159	BREW UNIT GREY G100 + HOLE			
44	225801259	GREY BREW UNIT G100 ELFO + HOLE			
45	9011.144	SS FORK FOR TUBE D=4			
46	9019.A04	TEA PIN AUTOMATIC ASSY.			
47	9011.007	SPRING FOR PIN			