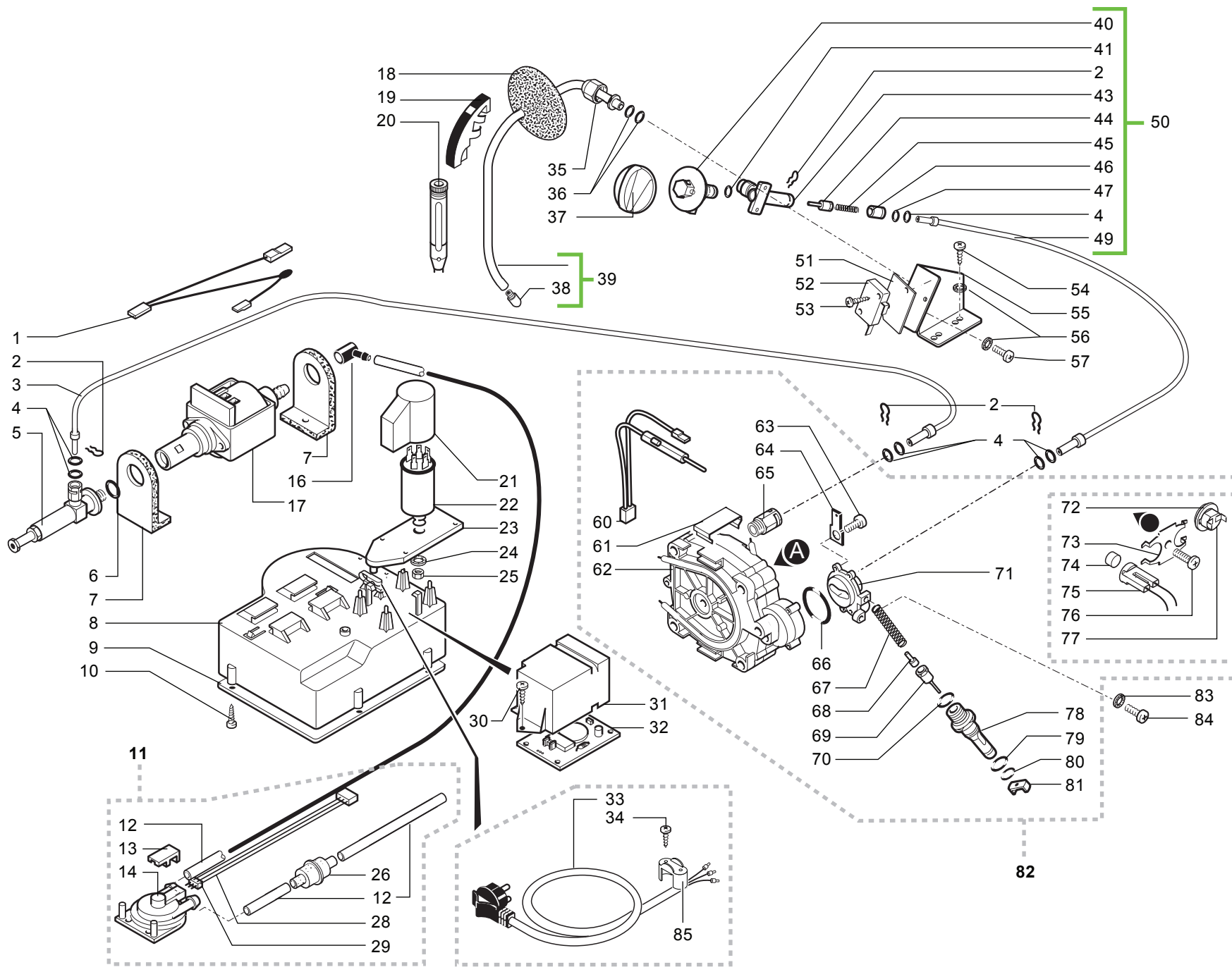
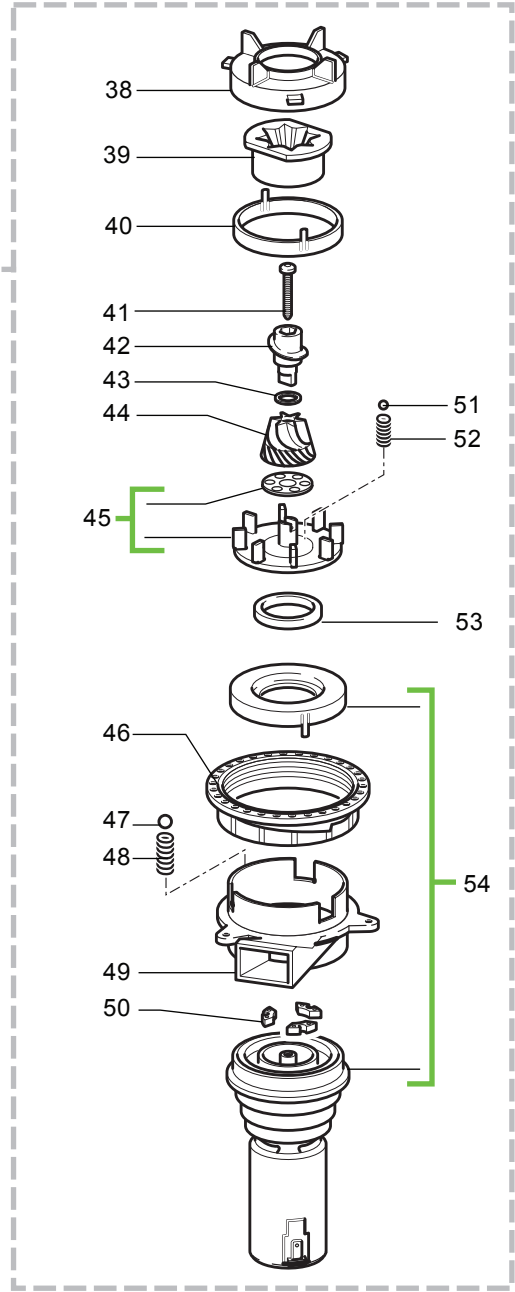
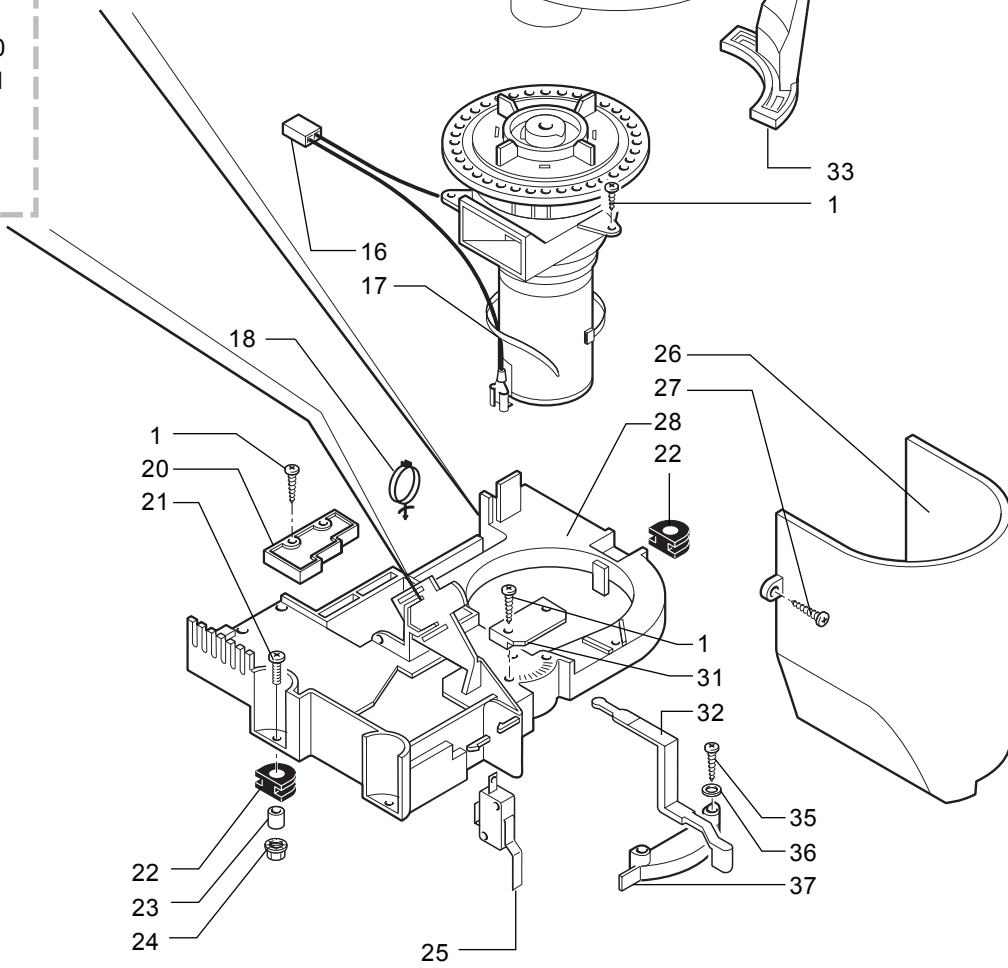
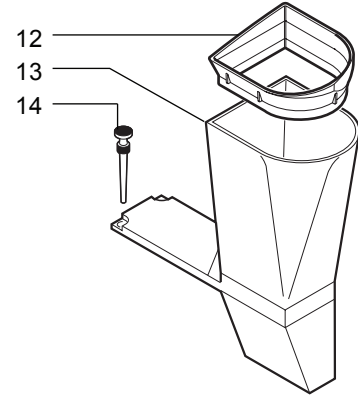
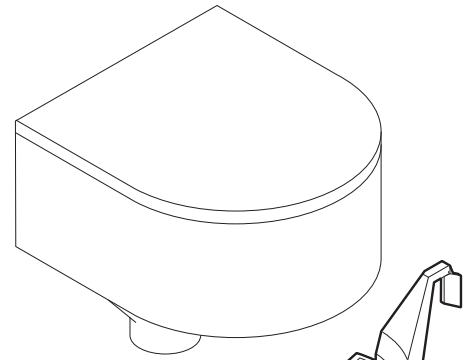
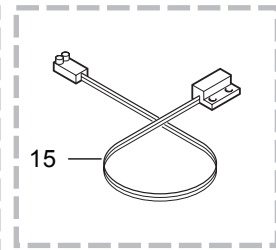
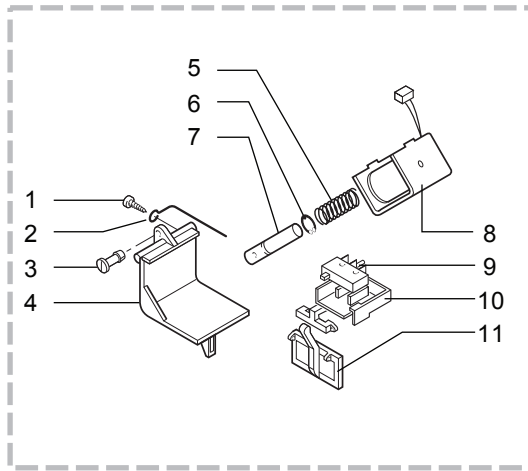


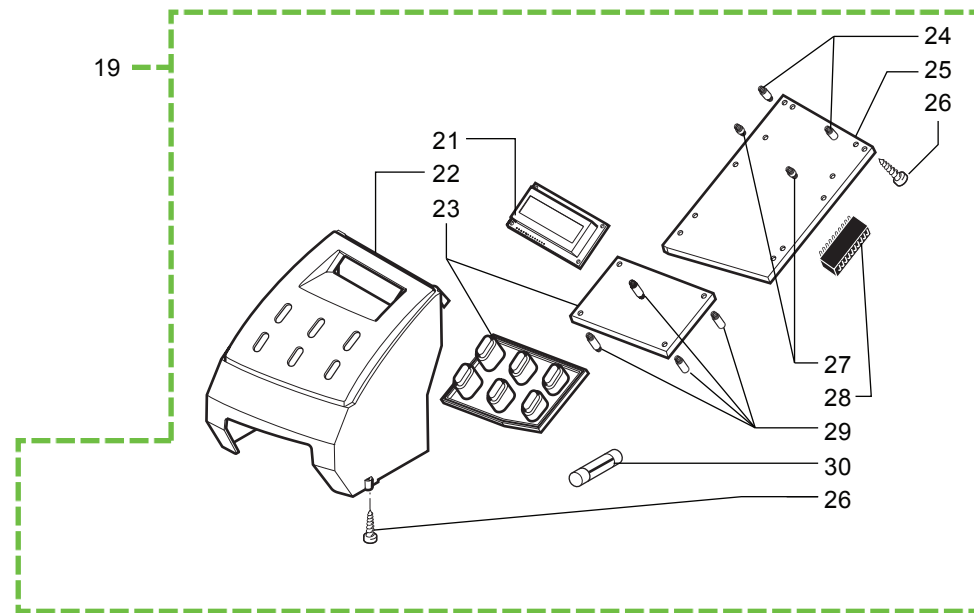
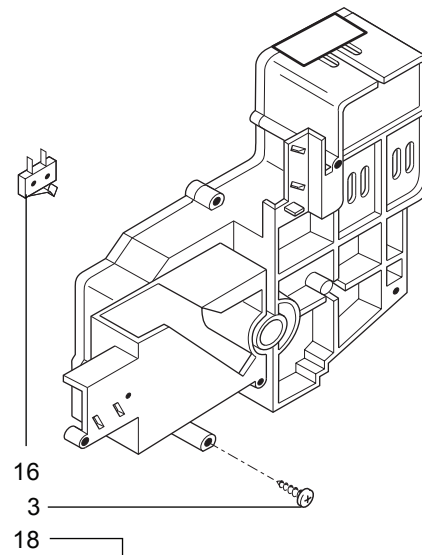
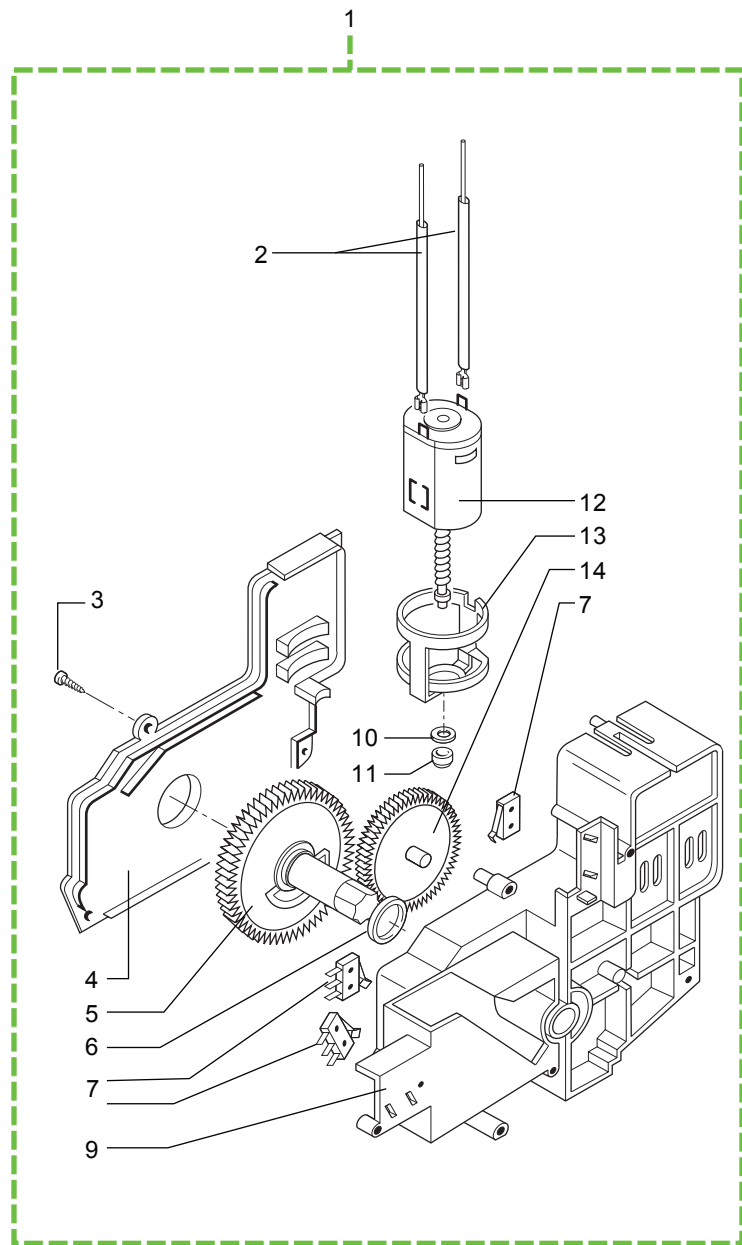
Pos	Article-Nr.	Description	Pos	Article-Nr.	Description
1	NF18.001	PLATE FOR PIN D.3,2	53	147623150	BLACK SQUARE ADHESIVE FOOT 5023
2	0301.831	CABLE 1 WIRE SILIC.YELLOW TH/FUS	54	0301.041.150	GREY BREW UNIT SUPPORT PLATE ROY
3	0301.033.150	TANK CASING GREY	55	0327.008.660	WATER LID SILVER T.F.
4	129670202	TCB PANELVIT SCREW 3,5X16 TESTA	56	NM01.032	RED SILICONE OR ORM 0060-30
5	11003705	CONNECTOR 90° DISPENSER BROWN	57	9161.110	PISTON SPRING FOR SUPERAUT.
6	0327.010.680	FIXED CASING DISPENSER GREY RAL	58	147660562	GREY PISTON FOR WATER CONTAINER
7	0327.037	SPRING FOR DISPENSER	59	9161.050.230	NAT/TRANSP.FLOATING SPACE PLUG M
8	9972.027	SILICONE TUBE BROWN 5X8 L. 85	60	9161.112.150	GREY LEVEL FLOAT
9	0301.052	SEAL FOR DISPENSER SCREW	61	0335.012.230	WATER CONT.ASS.UL
10	0301.050	SCREW M3 FOR DISPENSER	61	0327.028.230	TRANSP/GREY WATER TANK ASSY.
11	0327.011.680	MOBILE DISPENSER CASING GREY RA	62	0327.015.660	DOOR ASS. SILVER T.F.
12	0327.A07.680	DISPENSER ASS. GREY RAL 7015	63	0327.026.660	DOOR KNOB SILVER T.F.
13	0327.007.210	GREY GRATE	64	U433.001	NAIL 2X06 UNI 7591 BURN.
14	145500211	RED FLOAT FOR DRIP TRAY SEB GRAN	65	0313.012.150	7016/GREY DOOR COVER S/SCR.ROYAL
15	0327.019.680	DISPENSER COVER GREY RAL 7015	66	0301.040.150	GREY DOOR CLOSURE LEVER
16	0327.006.660	DRIP TRAY SILVER T.F.	67	20000306	KIT TECHMATE INSERT FOR BOX STRA
17	9991.093	MAGNET D=9,5 X H=1,5	69	0327.908	DRIP TRAY BOX
18	NE15.003	MALE TONGUE PLAIN 6,3 D.5,2	70	0330.907	SPACER IN POLYSTYRENE
19	128310404	WASHER UNI 8842 A4 BURNISHED	72	0327.905	ONDULATED CARDBOARD SHEET
20	129573402	SCREW TAPT M4X10 DIN 7985 GALV	73	0338.902	EXTERNAL BOX GAGGIA
21	U201.005	PLAIN WASHER 4,3X12 DIN 7349	75	142660259	GREY PHASE KEY COFFEE BREW UNIT
23	0327.030.20A	230V-DARK/GREY CUPWARMING PLATE	76	127390100	BRUSH FOR CLEANING
23	0327.030.20F	120V-DARK/GREY CUPWARMING PLATE	77	146680659	GREY MEASURE WITH HOLE
24	0327.020	CUPWARMER SEAL	78	DM1075/078	MANUAL GAG SYN.DIG.I/D/F/GB
25	0327.024	LATERAL TUBE			
26	0327.023	FRONTAL TUBE			
27	0338.001.660	LID S/SCREEN GAGGIA SILVER T.F.			
27	0338.002.660	S/SCREEN LID GAGGIA SILVER T.F.U			
28	0327.036	GENERAL SWITCH PROTECTION			
29	NE03.028	SWITCH B1031C1181000W			
30	0312.026.660	CASING ASS. SILVER T.F.			
31	U043.012	SCREW TCB TORX 20 M4X6 ZN-B			
32	0701.031.150	GREY WATER VALVE GACO DIM 14 SEA			
33	145842900	NBR WATER CONT.VALVE GACO DIM14			
34	0701.014.150	GREY WATER VALVE GACO DIM 14 SEA			
35	129532521	SCREW TSP2,9X9,5 DIN 7982 SS			
36	140320461	OR ORM 0080-20 IN TERMOIL			
37	0327.009.660	COFFEE LID SILVER T.F.			
39	U143.007	screw TORX TCB 2,9X19 SS			
40	0301.057.150	GREY ROTATING RING WITH FEET			
41	U110.005	screw AUT.TCB 3,9X9,5 DIN 7981			
42	9161.280	COVER FOR PROGRAMMER HOLE			
43	0327.005.660	DUMP BOX SILVER T.F.			
44	129511803	SCREW TCB 2,9X6,4 DIN 7981 NICK			
45	0335.006.230	COFFEE CONTAINER UL			
45	0327.003.230	COFFEE CONTAINER			
46	9161.270	SEAL FOR COFFEE CONTAINER			
47	NF14.002	OTECO PLATE NU 0503-3			
48	0335.005.660	DOSER LID SILVER T.F.UL			
48	0327.013.660	DOSER LID POWDER SILVER T.F.			
49	0312.013.280	PLUG FOR SCREW HOLE GREY			
50	0301.019	NIK/BRASS PIN FOR DOOR SUPERAUT.			
51	0301.020	NIK/BRASS PIN FOR DOOR SUPERAUT.			
52	9161.140	SEAL FOR UNIT PLATE			



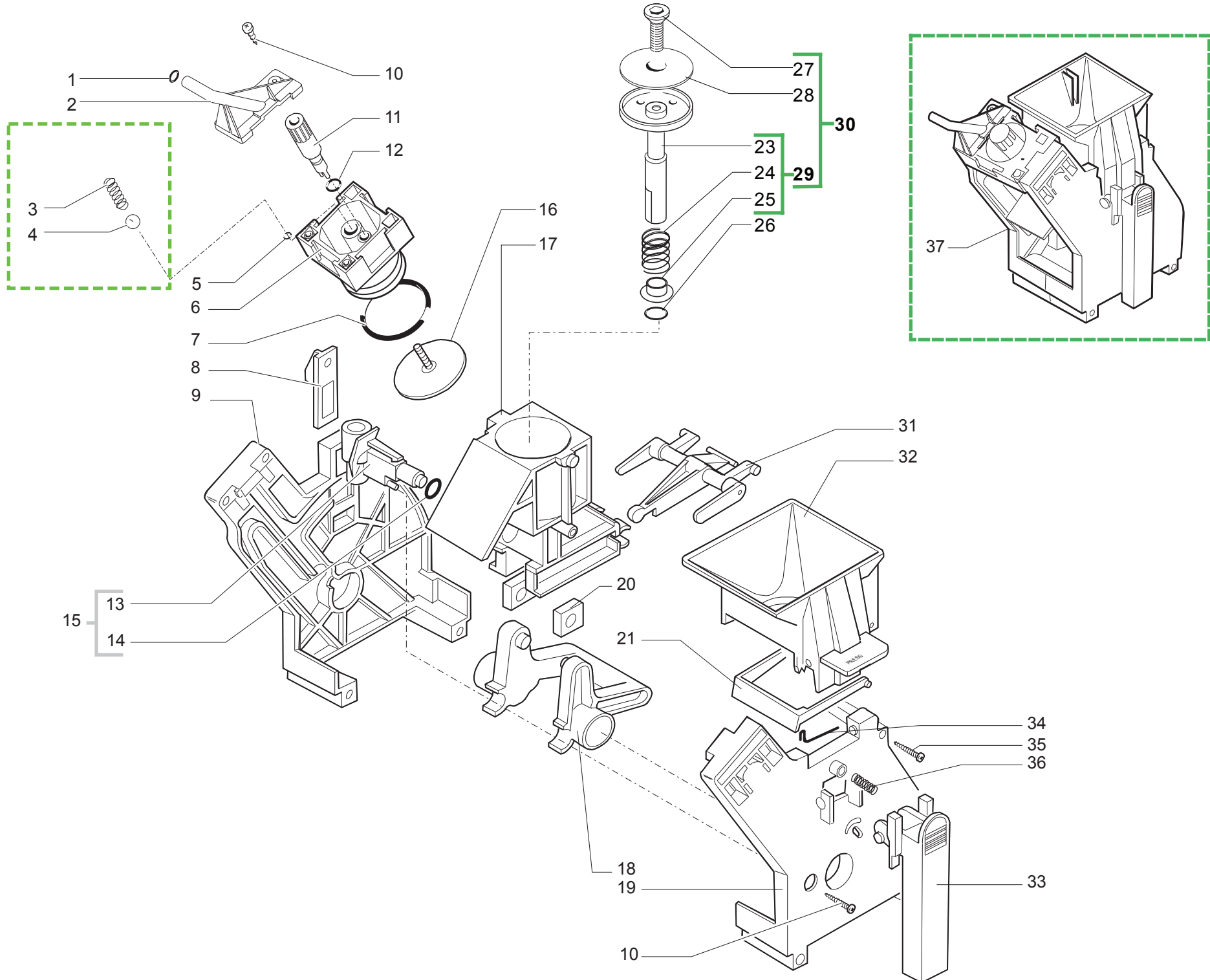
Pos	Article-Nr.	Description	Pos	Article-Nr.	Description
1	0315.802	HARNESS WITH PUMP KLIXON	52	NE05.013	MICROSWITCH SAIA XGK52-81-J23
2	9011.144	SS FORK FOR TUBE D=4	53	U109.014	screw AUT.TCB 2,9X16 DIN 7981
3	9979.A38	TEFLON TUBE ASS. 4X2 L.150 7-7	54	U110.013	screw AUT.TCB 3,9X6,5 DIN 7981
4	NM02.028	OR 2015 EPDM FDA	55	0327.022	STEAM FAUCET BRACKET
5	9079.A27	SAFETY VALVE ASS.FAST/LOCK UNIV	56	128310404	WASHER UNI 8842 A4 BURNISHED
6	140321961	OR 2031 IN TERMOIL	57	129573402	SCREW TAPT M4X10 DIN 7985 GALV
7	149185850	EATON PUMP SUPPORT 4002012 MAGIC	60	0315.806	CABLE 1 WIRE SIL.BLUE JP12 TH/FU
8	0301.056.150	POWER CABLE CONT. VDE GREY	60	0317.821	CABLE 1WIRE SILIC.BLUE AWG18 TH/
8	0335.008.150	POWER SUPPLY CABLE GREY UL	61	9011.054	SPRING FOR THERMAL FUSE
9	0301.055.150	LID FOR POWER CABLE CONT. GREY	62	9019.A59.00A	BOILER CASINGS ASS.SUPERAUTOM.2
10	129670202	TCB PANELVIT SCREW 3,5X16 TESTA	62	9019.A59.00F	BOILER CASINGS ASS.SUPERAUTOM.1
11	0317.A11	TURBINE ASS. COMPL.WITH TUBES UL	63	U046.003	SCREW TCB TORX 20 M4X12 ZN-B
11	0327.A01	VDE TURBINE ASS. COMPLETE WITH	64	NE15.003	MALE TONGUE PLAIN 6,3 D.5,2
12	9972.022	SILICONE TUBR 5X8 L.2MT	65	11008875	TEA/BRASS CONNECTOR 1/8" FOR TUB
13	9161.018	BRACKET FOR TURBINE	66	140324562	OR 2106 IN SILICONE
14	286473300	-M-VDE TURBINE WITH SENSOR KIT	67	9011.132	SS SPRING FOR PIN
16	147920150	90° INLET PUMP CONNECTOR	68	11009013	TEA/BRASS PIN FOR PISTON L=10
17	187720955	ULKA PUMP EX 5 120 VOLT	69	11009019	TEA/BRASS PISTON L=20,9 ASSY.
17	12000140	ULKA PUMP EP5/S GW 230V-50HZ	70	NM01.008	OR ORM 0080-20 SILICONE
18	9161.058.150	INTERNAL PROTECTION FOR TUBE GRE	71	9011.165	BRASS BOILER SUPPORT WITH TUBE C
19	9161.055.710	7021/GREY STEAM TUBE HANDGRIP	72	9991.085	THERMOSTAT FIXING WASHER
20	9990.006	PLASTIC PANNARELLO ASS.RAL 7015	73	9011.034	THERMOSTAT RETAINING SPRING
21	9161.278.150	CAP FOR ANTIDISTURB FILTER	74	11004424	ALUM.SPACER FOR PHILIPS SENSOR M
22	184651100	ANTIDISTURB FILTER 0,47X2+1000Y2	75	286472258	V2 SENSOR KIT FOR DO M/5000/S500
23	0327.035.150	ANTIDISTURB FILTER SUPPORT	75	9019.A66	SENSOR FOR AUTOMATICA UL ASSY.
24	U208.009	TOOTHED WASHER 8,4X15 UNI 370	76	129828502	TCB SCREW M6X30 UNI 7687 ZNP
25	U302.007	nut HEXAGONAL M8 UNI 55	77	NE09.021	THERMOSTAT 150°C FASTON 90°
26	144650300	ASPIRATION FILTER GAUZE NET 500	78	9011.100	PEG FOR VALVE IN PLASTIC
28	0317.830	CONN. ASS. 3 POLE TURBINE PROFE	79	NM01.035	OR ORM 0090-20 SILICONE
28	0314.815	3POLES CONNECTOR TURBINE PROF.A	80	NM01.057	OR ORM 0050-20 IN SILICONE
30	U140.004	PANELVIT TCB 3,0X12 DIN 7505 B	81	11005099	NATURAL CURSOR V2 FOR BOILER P11
31	9161.336.150	COVER FOR FILTER CARD GREY UL	82	9010.R04.00A	KIT SPARES 9010.035.00A
32	0301.828.00F	FILTRATION CARD SUPERAUTOM. 120	82	9010.R12.00F	KIT SPARES 9010.061.00F
33	NE01.046	CABLE ITALY D=4,8 GREY H05	83	U208.003	TOOTHED WASHER 5,1X9 BRU
33	NE01.061	BLACK POWER CABLE SCHUKO L=1500	84	U043.021	screw TCBC M5,0X8 UNI 7687 GA
33	NE01.064	BLACK CABLE USA 3 POLI 1 MM	85	9991.039	CABLE RETAINER UL
33	NE01.100	POWER CABLE GREAT BRITAIN			
34	U140.009	PANELVIT TCB 3,0X16 DIN 7505 B			
34	U109.005	screw AUT.TCB 3,5X16 DIN 7981			
35	9161.031	NUT FOR STEAM TUBE			
36	140324461	OR ORM 0060-20 IN TERMOIL			
37	0330.005.660	STEAM KNOB S/SCREEN SILVER T.F.			
38	9011.049	DISPENSER FOR STEAM TUBE			
39	0327.021	CHROMED STEAM TUBE ASSY.			
40	0327.014	FAUCET SHAFT			
41	140321461	OR 2018 IN EPDM			
43	0327.017	FAUCET BODY			
44	11009018	TEA/BRASS PISTON L=15,1 ASSY.			
45	126765317	STEEL SPRING BOILER PISTON MAGIC			
46	221800403	NIK/BRASS BUSH FOR FAUCET			
47	140328161	OR D=3,85 X 1,90 IN EPDM			
49	227872800	TEFLON TUBE 2X4 L=320 MM ASSY			
50	0327.R02	SPARES UNIT TURMIX FAUCET			
51	11009072	INSULATE PROTECTION 24X38,8 FOR			



Pos	Article-Nr.	Description	Pos	Article-Nr.	Description
1	U140.004	PANELVIT TCB 3,0X12 DIN 7505 B			
2	9161.048	SCRAPER ROD			
3	9161.076.150	DOSER DOOR PIN GREY			
4	9161.074.150	DOSER DOOR GREY			
5	126764818	SPRING ELECTROM.BEAN DOSER MAG			
6	U701.003	SNAP RING 7 UNI 7434			
7	9161.041	DOSER ELECTROMAGNET CORE			
8	9129.A07.00F	COFFEE DOSER COIL ASS.120V			
8	9129.A21.00A	DOSER COIL FOR SUPERAUTOM.230V A			
9	NE05.017	MICROSWITCH			
10	9161.072.150	MICRO SUPPORT CURSOR GREY			
11	9161.073.150	DOSE CONTROL COMPENSATOR GREY			
12	0327.027.150	POWDER HOPPER APPENDIX GREY			
13	9161.223.150	COMPL.HOPP.FOR POWDER COFFEE GRE			
14	9161.082	RUBBER COUPLER			
15	0301.811	CONNECTOR 2 POLES LEVEL ASSY.			
16	0301.804	CONNECTOR ASS. 2 POLE COFFEEGRI			
17	144320200	SELF LOCK STRIP W=2.6 L=200			
18	NF11.034	CABLE HOLDER SUPPORT			
20	9161.296.150	COVER FOR DOSER HOLE			
21	U043.004	ZN-B TCB SCREW M4X16			
22	9991.005	RUBBER FOR COFFEE GRINDER			
23	9141.003	SPACER FOR RUBBER			
24	U324.006	NUT M4 FLANGED INDENTED BASE			
25	NE05.037	MICROSWITCH			
26	9161.335.150	COFFEEGRINDER PROTECTION GREY UL			
26	9161.053.150	COFFEEGRINDER PROTECTION GREY			
27	U110.003	screw AUT.TCB 3,5X9,5 DIN 7981			
28	9161.029.150	PLATE FOR COFFEEGRINDER GREY			
31	9161.097.150	LEVER FIXING PLATE GREY			
32	0313.003.150	ADJUSTMENT LEVER GREY RAL 7016			
33	9161.080.150	GRINDING ADJUSTM.LEVER GREY RAL			
35	129512503	SCREW TCB 2,9X9,5 DIN 7981 NICK			
36	U201.001	PLAIN WASHER 3,2X9 DIN 7349 GALV			
37	9161.054.150	DOSE ADJUST. SCALE GREY RAL 7016			
38	149186150	BLACK UPPER GRINDER SUPPORT MAGI			
40	142844550	UPPER GRINDER COVER COFFEE GRIND			
41	129931002	TORX SCREW T10 TCB 3,5X40 SX ZNG			
42	147470763	INCREASE SCREW PIN COFFEE GRINDE			
43	U201.002	PLAIN WASHER 10X16X0,2DIN 988			
44	226473500	KIT TECNA GRINDERS			
45	149188750	CONICAL GRIND. SUPP. + RING MAG			
46	146570950	RING NUT FOR GRINDING ADJUSTMENT			
47	128610421	STAIL.STELL AISI 304 SPHERE D=3,			
48	126770117	NEW SPRING SPHERE D=3,2 MOTOR M			
49	149186350	BLACK GRINDER MOTOR SUPPORT MAGI			
50	140230400	SHOCK ABS .CONICAL GRINDER SUPP.			
51	128610521	STAIL.STEEL AISI 304 SPHERE D=5,			
52	126765517	STEEL SPRING SPHERE D=5,5 MOTOR			
53	140360200	FELT RING 40X34X5			
54	0301.R10.00A	SPARE MOTOR UNIT MC 230V			
55	9140.005.00A	COFFEE GRINDER STD 230V ASSY.			
55	9140.005.00F	COFFEE GRINDER STD 120V ASSY.			
55	9140.008.00A	COFFEE GRINDER ITA 230V ASSY.			



Pos	Article-Nr.	Description	Pos	Article-Nr.	Description
1	9120.006.150	RATIOMOTOR ASS.WITH TUBE GREY			
1	9120.022.150	RATIOMOTOR ASS.+TUBE GREY UL			
2	0301.812	4POLES CONNECT.CUPWARMER MAGIC A			
2	0317.833	4POLES CONNECTOR RATIOMOTOR UL			
3	129670202	TCB PANELVIT SCREW 3,5X16 TESTA			
4	9121.043.150	GREY RATIOMOTOR COVER			
5	9121.069.150	GEAR Z=108 FOR MOUNTING PLATE M4			
6	9161.368	MYLAR WASHER FOR RATIOMOTOR			
7	NE05.038	MICROSWITCH SAIA XCG5-81-P5			
9	9121.064.150	CASING WITH TUBE AND PIN GREY			
10	148380200	BAKELIZZATE WASHER D=5,5			
11	9121.046	BRONZE SINTERED BUSH FOR MOTOR R			
12	11005214	MOTOR FOR RATIOMOTOR P124 ASSY.			
13	9121.044	ANTIVIBRATION FOR MOTOR			
14	9121.042	GEAR Z=12/90			
18	NE17.002	ADH.CABLE RETAI.ROUND CABLE D=1			
19	0335.R01.66F	SPARE WHOLE ELECTRONICS			
19	0336.R02.66A	SPARES WHOLE ELECTRONICS			
19	0327.R06.66A	SPARES WHOLE ELECTRONICS			
21	0347.816	DISPLAY FOR ROYAL REDESIGN			
22	0335.004.660	ELECTRONICS SUPPORT SILVER T.F.U			
22	0327.032.660	ELECTRONICS SUPPORT SILVER T.F.			
23	0327.803	TOUCH PANEL ASS. STRATOS			
24	NL04.005	RICHCO SPACER MSPM-5-01 BD			
24	NL04.006	RICHCO SPACER MSPM-6-01			
25	0330.805.00A	CPU EL. CARD T/K/B/S 230V WASH			
25	0330.805.00F	CPU CARD T/K/B/S 120V WASH			
25	0336.803.00A	CPU CARD STRATOS 230V ITA			
26	U140.004	PANELVIT TCB 3,0X12 DIN 7505 B			
27	NL04.010	RICHCO SPACER MSPM-3-01			
27	NL04.008	RICHCO SPACER MSPM-2-01			
28	0330.807	MICRO V.044/74BA			
28	0327.804	MICRO TU/KO/BO/SI V.0.36T/45E7			
29	NL04.009	RICHCO SPACER MSPM-8-01			
29	NL04.004	RICHCO SPACER MSPM-7-01 BK			
30	NE13.044	FUSE 5,0X20 8A 250V DELAYED			



Pos	Article-Nr.	Description	Pos	Article-Nr.	Description
1	NM02.017	OR ORM 0055-15 TERMOIL			
2	9161.034.150	GREY COFFEE OUTLET SLEEVE			
3	9161.222	SS.CONICAL SPRING			
4	9991.168	GLASS SPHERE D.5 MM			
5	NM02.013	OR ORM 0080-15 TERMOIL			
6	9161.193.150	GREY BREW UNIT COUNTERPISTON M50			
7	NM01.044	OR ORM 0320-40 SILICONE PTFE/FDA			
8	9161.067.150	GREY BREW UNIT COUPLING PLATE			
9	9161.070.150	GREY BREW UNIT REAR PLATE M5000			
10	U140.019	SCREW TCB TORX 10 3X16 PLAST SS			
11	9169.A14.150	PIN FOR PERCOLATOR GREY			
12	NM02.006	OR R5 TERMOIL			
13	9161.064.150	GREY WATER INLET SLEEVE BREW UNI			
14	NM02.007	OR 2025 IN TERMOIL			
15	0301.R04.150	GREY WATER INLET SLEEVE BREW UNI			
16	20000400	SPARE UNIT PERCOLATOR DE=35,8 WI			
16	223740300	PERCOLATOR DE=35,8 ASSY.			
17	9161.195.150	GREY BREW UNIT COFF.CONTAINER M5			
18	9161.066.150	GREY BREW UNIT ELBOW SHAFT M5000			
19	20006695	KIT GREY FRONT+REAR PLATE FOR UN			
20	9161.094.050	BLACK BREW UNIT DRILLED BLOCK			
21	9161.060.150	GREY SCRAPER FOR BREW UNIT M5000			
23	9161.211.050	NEW PISTON WITH INSERT BLACK			
24	9161.198	SS.8GR.BREW UNIT PISTON SPRING			
25	9161.191	WHITE 8GR.-12GR.BREW UNIT PISTON			
26	NM02.018	OR ORM 0090-25 TERMOIL			
27	129852821	TSP SCREW M3X14 UNI 7688 SS			
28	9161.167	PERCOLATOR D.35,8			
29	9161.210.050	COMPLETE PISTON FOR UNIT GREY			
30	0301.R16.050	SPARE PISTON UNIT NEW BLACK			
31	9161.065.150	GREY CONNECTING ROD BREW UNIT 8G			
32	9161.123.150	GREY HOPPER COFF.BREW UNIT S/SCR			
33	9161.046	SS SCRAPER SPRING FOR BREW UNIT			
34	U109.026	SS.SCREW AUT.TCB 3,5X19 DIN 798			
35	9161.045	SS BREW UNIT HANDGRIP SPRING M50			
36	9161.069.150	GREY BREW UNIT HANDGRIP M5000			
37	9160.060.150	BREW UNIT SUPERAUT OEM GREY			
37	9160.061.150	BREW UNIT ELFO OEM GREY			