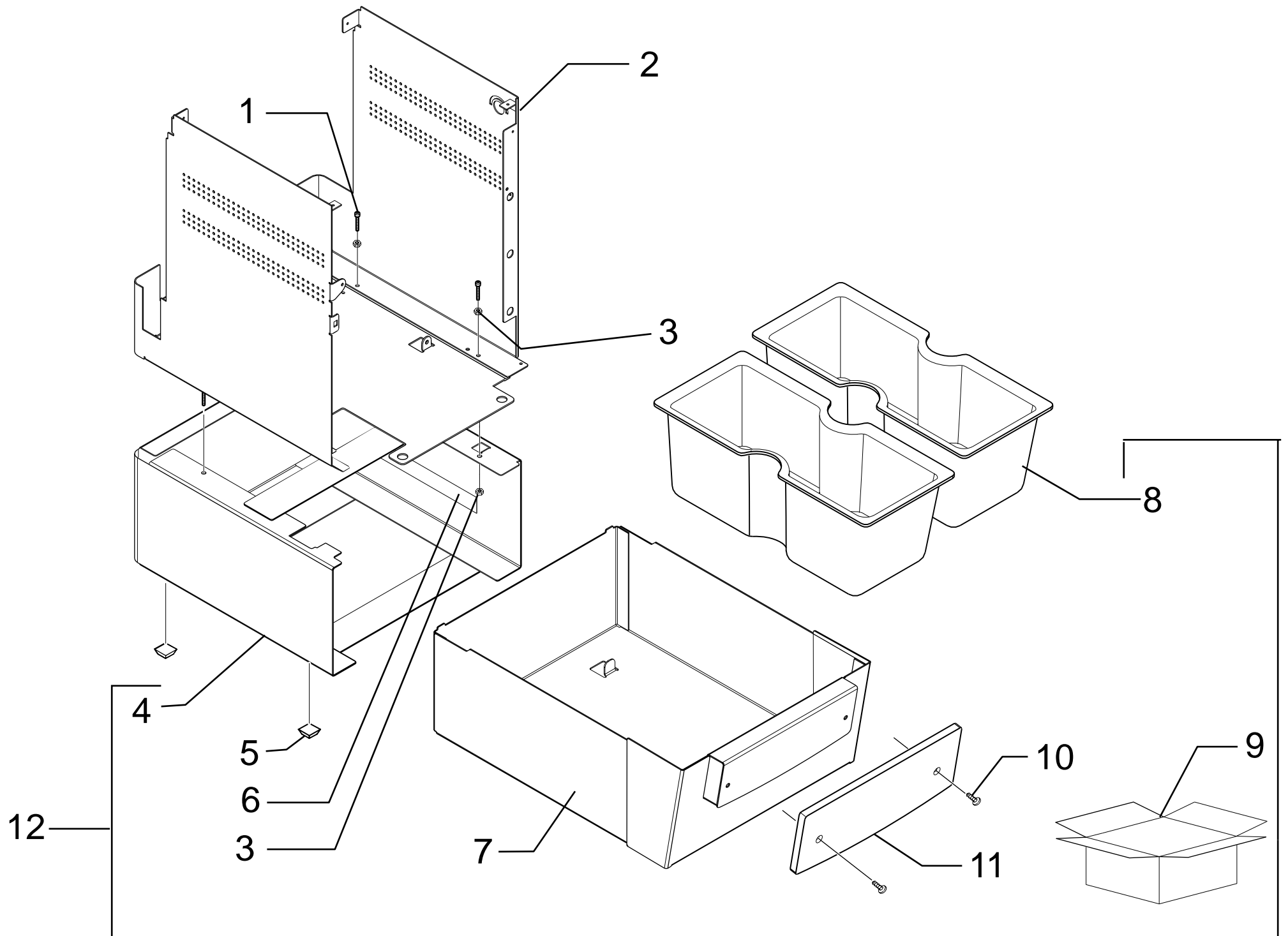


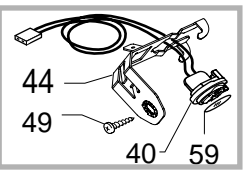
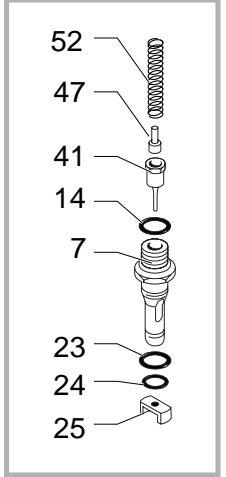
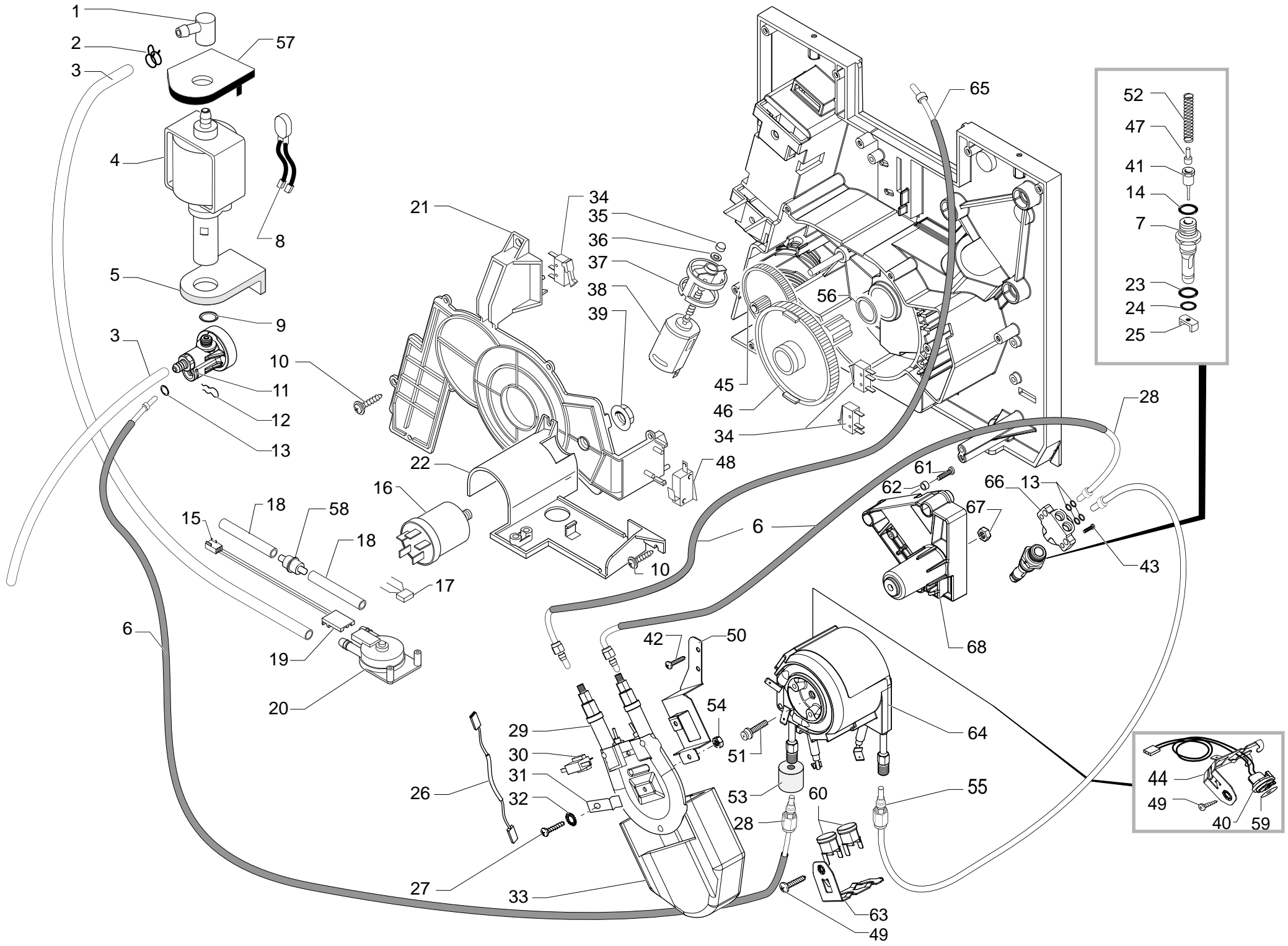
Pos	Article-Nr.	Description	Pos	Article-Nr.	Description
1	222693300	NAT/GREY WATER CONTAINER G6000 ASSY.	46	222802587	SB/SS GROUND COFFEE CONT.LID G6000 ASSY.
2	224640200	WHITE WATER CONTAINER EXT.FILTER ASSY.	47	149213850	CAP COF.DISPEN.HEAD SUP.BLACK G6000
3	140328461	EPDM OR METRIC 0190-10	48	149261450	HOPPER BLACK GROUND COF.DOSER G6000
4	149214359	BLACK FLOATING SPACE PLUG LAV.	49	222630437	DOOR HINGE G6000 SILVER
5	9161.112.150	GREY LEVEL FLOAT	50	129661204	SCREW PANELVIT TCB 3X16 DIN7505 BRU
6	140324362	OR METRIC 0060-30 IN SILICONE	51	129740202	SCREW TSP PH/TT 4X10 UNI 8113 ZNP
7	126764718	SS WATER CONTAINER VALVE SPRING	52	145842900	NBR WATER CONT.VALVE GACO DIM14 SEAL
8	147660562	GREY PISTON FOR WATER CONTAINER VALVE	53	146313740	DISENGAGE LEVER GREY/SILVER DOOR SMART
9	147757100	ELECTRONICS BOARD PROTECTION G6000	54	229170450	DRIP TRAY SEALING SUPPORT SMART
10	11013510	AS.CPU+FLAT G6000 DIG/SV. V1 230V	55	125743987	GRATE G6000 STAINLESS STEEL/SB
10	11013511	AS.CPU+FLAT G6000 DIG/SV. V1 120V	56	8314014000	GROUNDS FUNNEL
10	8314020000	ELECTR.C BASE UNIT M-L.CPU G6000 TI	57	6314078000	SILVER 8401C DRAIN DRIP TUB
10	8314020010	ELECTR.C BASE UNIT M-L.CPU TITAN.PR	58	222765137	8401/SILVER BEAN COFF.CONTAIN.LID G6000
11	149202050	SUPPORT ELECTRONIC CARD G6000 BLACK	59	146680850	BLACK COFFEE MEASURE SMART
12	129670202	TCB PANELVIT SCREW 3,5X16 TESTA D=8 ZNP	60	127390100	BRUSH FOR CLEANING
13	175898300	TECHMATE UPPER INSERT FOR BOX G6000	61	145855060	SEAL HOPPER GROUND COFF.DOSER G6000
14	175898400	TECHMATE LOWER INSERT FOR BOX G6000	62	15001281	MANUAL GAG TITANIUM BRA
15	183911050	BLACK POWER CABLE SCHUKO L=1200	62	165896100	MANUAL GAG TITANIUM
15	183921950	POWER CABLE SJT3 USA BLACK UL L=1200	62	4314081000	ADDITIONAL INSTRUCTIONS TITAN PROF.
15	183970350	BLACK POWER CABLE UK L=1200	62	4314095000	ERRATA TITANIUM PROF.
15	11004245	BLACK POWER CABLE BRAZIL L=1200	63	129512503	SCREW TCB 2,9X9,5 DIN 7981 NICK
16	4314083000	PACKAGING BOX NEUTRA TITAN.PROF/OFFICE	64	229185237	8401/SILVER FRONT PANEL SUPPORT G6000
17	129512904	SCREW TCB 2,9X12,7 DIN 7981 BURN	65	127535621	PLATE FOR FRONT PANEL G6000 S.STEEL
18	0701.031.150	GREY WATER VALVE GACO DIM 14 SEAL COVER	66	129533202	SCREW TSPTORX T10 3,5X9,5 D7982 NI
19	129535721	SCREW TSP TORX 10 AB 3,5X9,5 SHEET SS	67	129511803	SCREW TCB 2,9X6,4 DIN 7981 NICK
20	0701.014.150	GREY WATER VALVE GACO DIM 14 SEAL CONT.	68	142855450	BLACK REAR COFF.DISPENSER COVER G6000
21	283557200	FLAT CABLE	69	142855350	BLACK FRONT COFFEE DISPENS.COVER G6000
22	140320461	OR ORM 0080-20 IN TERMOIL	70	223701304	COFFEE DISPENSER AS.G6000 BLACK
23	229184937	8401/SILVER WATER CONTAIN.SUPPORT G6000	71	NF11.084	PHOSPH/STEEL FOLK SPRING
24	222765037	8401/SILVER WATER CONTAINER LID G6000	72	9161.384	SPACER FOR CONNECTION STEAM TUBE
25	146581300	48350/GREY WATER CONTAINER HANDLE G6000	73	149196850	CONNECTOR STEAM SUPPORT G100 BLACK
26	0301.811	CONNECTOR 2 POLES LEVEL ASSY.	74	181555500	TERMINAL BOARD BUTTON G6000 DIG.R.S
27	U109.028	SCREW AUT.TCB 2,9X9,5 DIN 7981 C	75	149252600	TOUCH PANEL 7 BUTTONS G6000
28	NE13.013	CUP SOCKET EN 60320 C 13	76	229140808	BUTTON FOR G6000 CHROMIUM PLATED
29	149202150	SOCKET POW.CABL.SUPPORT BLACK G6000	77	DI7981P3.	SELF TAPPING GALV. SCREWPLAST
30	149201950	SWITCH GENERAL SUPPORT BLACK G6000	78	5Y137 129932321	TSPCEI SCREW 3,9X12 STAINLESS STEEL
31	NE03.038	BIPOLAR SWITCH FUSIT C1250AR	79	228983037	DOOR G6000 SILVER
32	147623150	BLACK SQUARE ADHESIVE FOOT 5023	80	228983137	LATERAL DOOR G6000 SILVER
33	11006543	8401C/SILVER CASING TITANIUM OFFICE	81	11010762	TEA/BRASS 90°CONNECTOR STEAM TUBE G100
34	147700100	LOADING PUMP DIAMETER 14 MM	82	NM02.007	OR 2025 IN TERMOIL
35	227721650	BLACK GRIND.ADJUSTM.KNOB S/SCR.G100	83	229381808	CHROMATE STEAM TUBE G100 ASSY.
36	U140.014	PANELVIT TCB 3,5X16 DIN 7505 B GAL	84	127535521	LOWER PLATE FOR DOOR G6000 ST.STEEL
37	146000850	BLK COFFEE GRIND.ADJUSTM.KNOB GEAR COMBI	85	227431321	SS/SS PANNARELLO G100 ASSY.
38	142816279	LID BLUE SAFETY AROM.CAF.CONT.G6000	86	192200500	20x2 LCD BLUE DISPLAY STN + FLAT
39	227721550	BLACK COFF.DOSE ADJUSTM.KNOB S/SCR.G100	87	11006651	KEYPAD MOUNT TIT.OFFICE SILVER/8401C
40	8314007000	TRANSP/BLUE BEAN COF.CONT.G6000 ASSY.	88	144883200	TRANSPARENT FRONT PANEL G6000
41	146001950	BLACK COFFEE DOSE ADJUSTM.GEAR SMART	89	147573000	TRANSPLATE FOR LIGHT DIFFUSIVENESS
42	145852360	BEAN COFFEE CONTAINER SEAL SMART	90	127535421	UPPER PLATE FOR DOOR G6000 ST.STEEL
43	227751737	8401/SILVER BEAN CONT.COFF.PROTECT.G6000	91	227910750	BLACK 90°CONNECTOR CAPPUCINATORE
44	129570602	SCREW TCB 3X8 UNI 8112 ZNP	92	222520450	BLACK SPHERICAL CAPPUCINATORE ASSY.
45	282800737	CUPWARMER LID AS.G6000 SILVER	93	149360400	TRANSPARENT SILCONE TUBE 3,5X6 IN ROLL
94	0301.961	STICKER FOR WATER HARDNESS TEST			
95	NE15.026	MALE TONGUE 45° 6,3 D.5,2			
96	128310404	WASHER UNI 8842 A4 BURNISHED			
97	129573202	SCREW TCB TORX 20 M4X8 AUTOFORMING ZN-B			



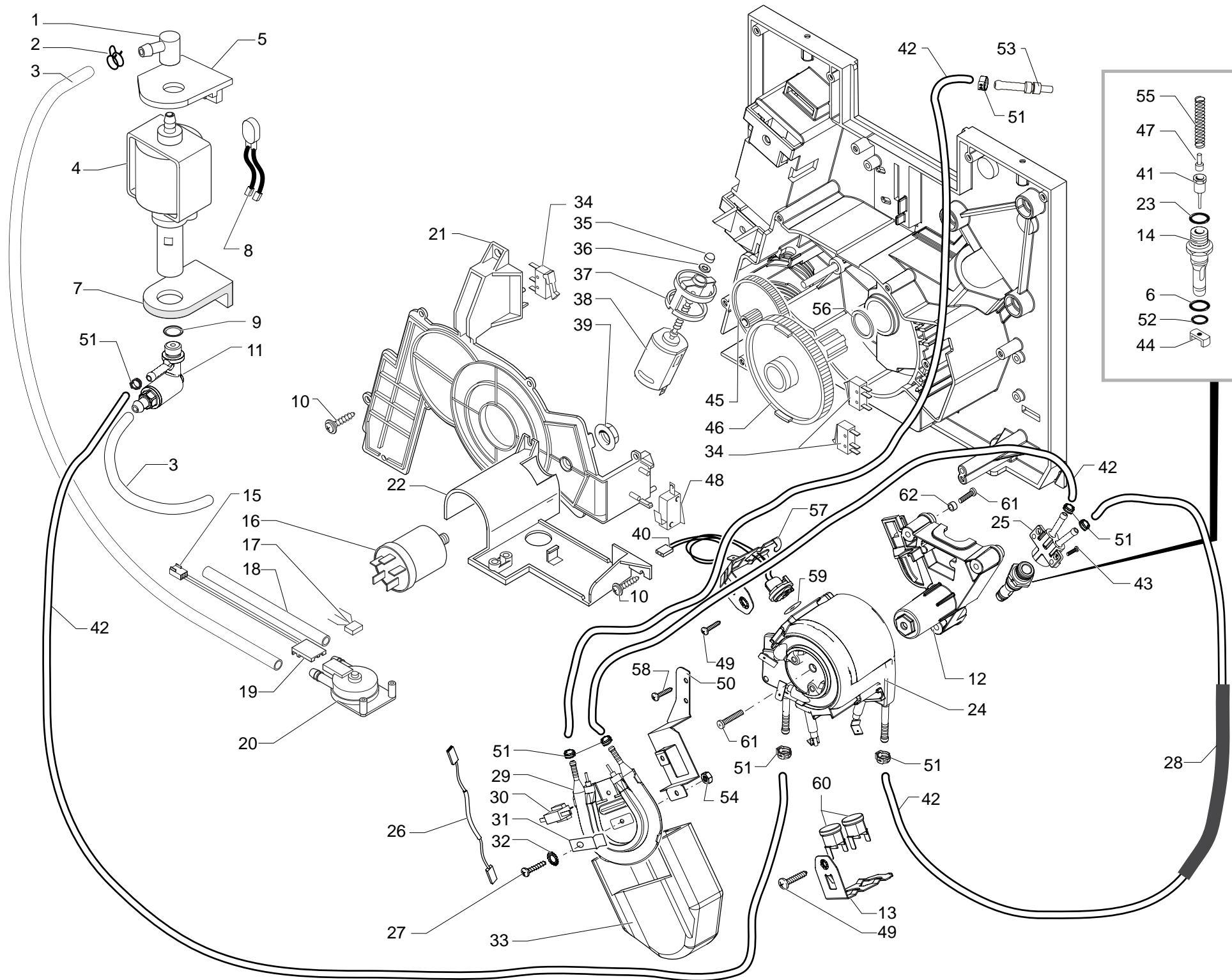
**ER0275****SUP027YDRO**

Pos	Article-Nr.	Description
1	DI7986-3X16I	SCREWS M 3X16 ST.STEEL (DIN7985/UNI
3	UN7473-3Z	SELF-STOPPING M 3 GALVANIZED
4	11006541	DRAWER BASE UNIT - SILVER
5	147623150	BLACK SQUARE ADHESIVE FOOT 5023
6	DM2339/01	NASTRO AD.3M 5423 UHMW 12,5MM-ROT.16,5M.
7	11006542	DRAWER - SILVER
8	4314080000	RESERVOIR GROUNDS AND LIQUIDS
9	4314082000	PACKAGING BOX ST. STEEL CASE
10	UN5933-4X16I	SCREWS M 4X16 ST.STEEL
11	4314069000	FRONT MASK
12	11006652	TIT.OFFICE DRAWER FOR GROUNDS AND LIQ.

Pos	Article-Nr.	Description
-----	-------------	-------------

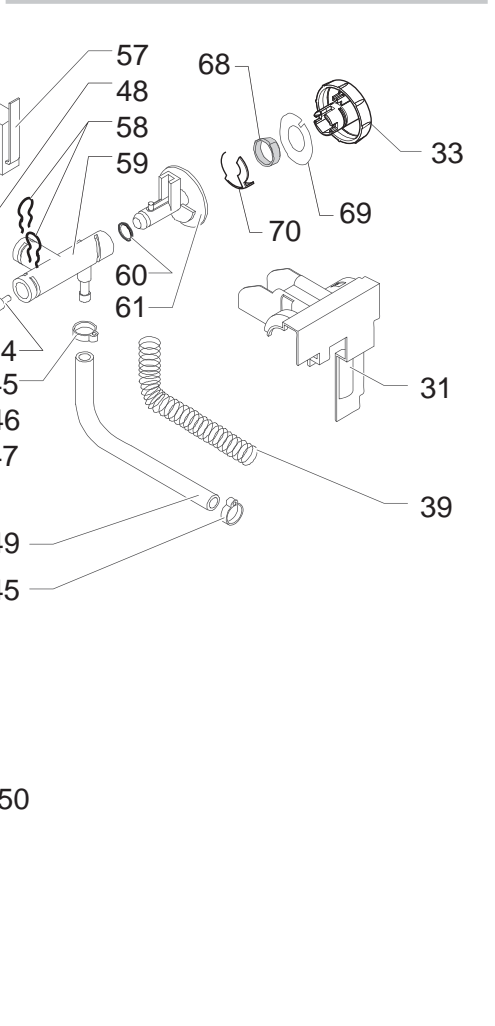
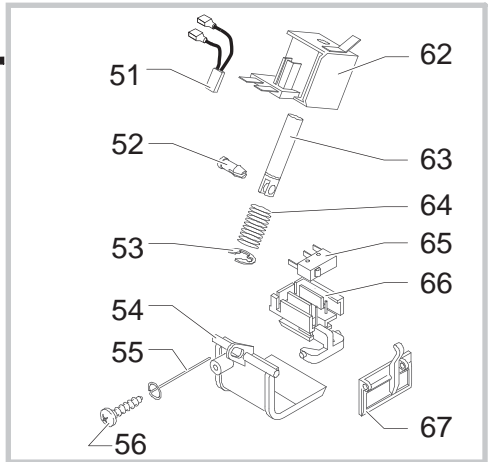
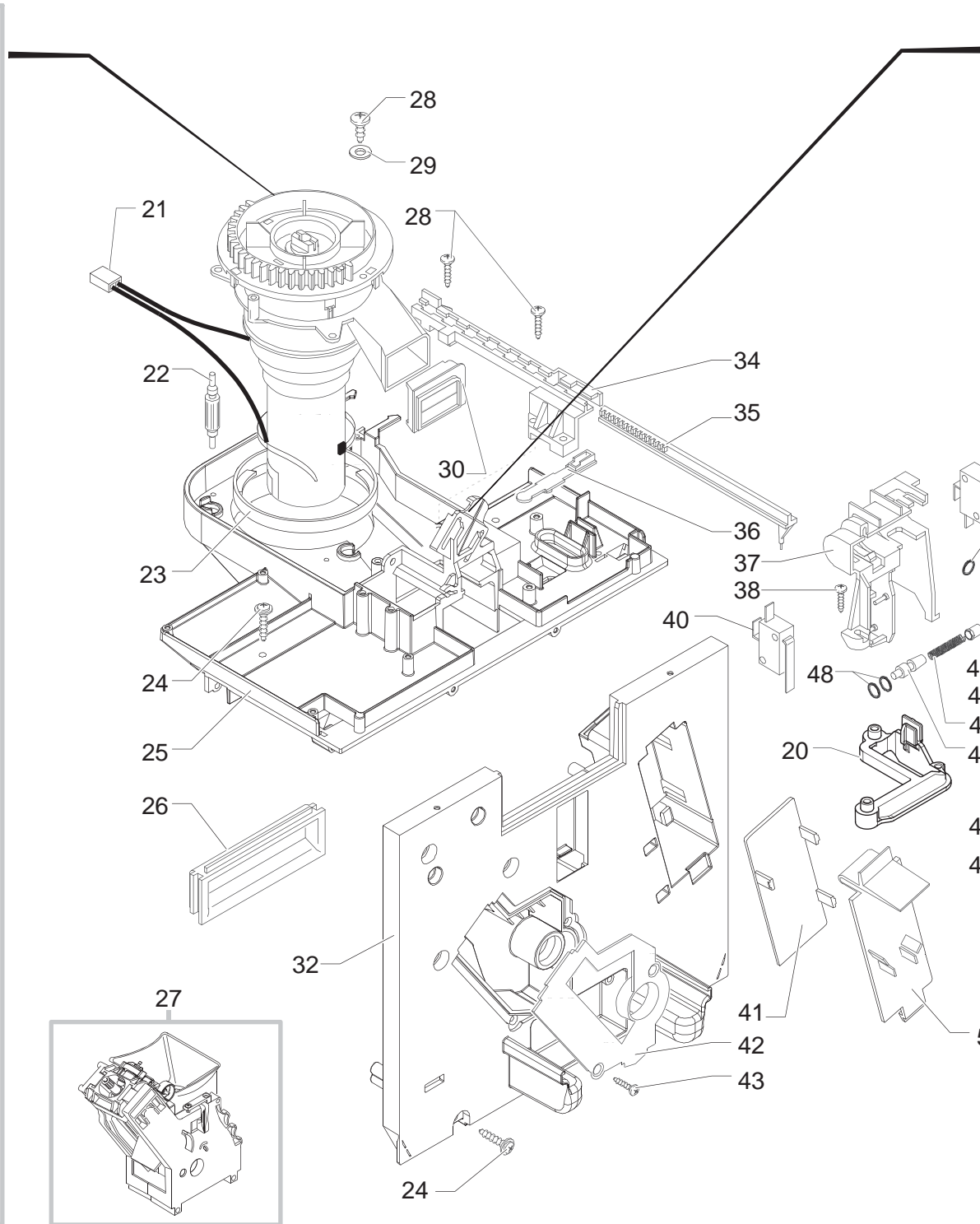
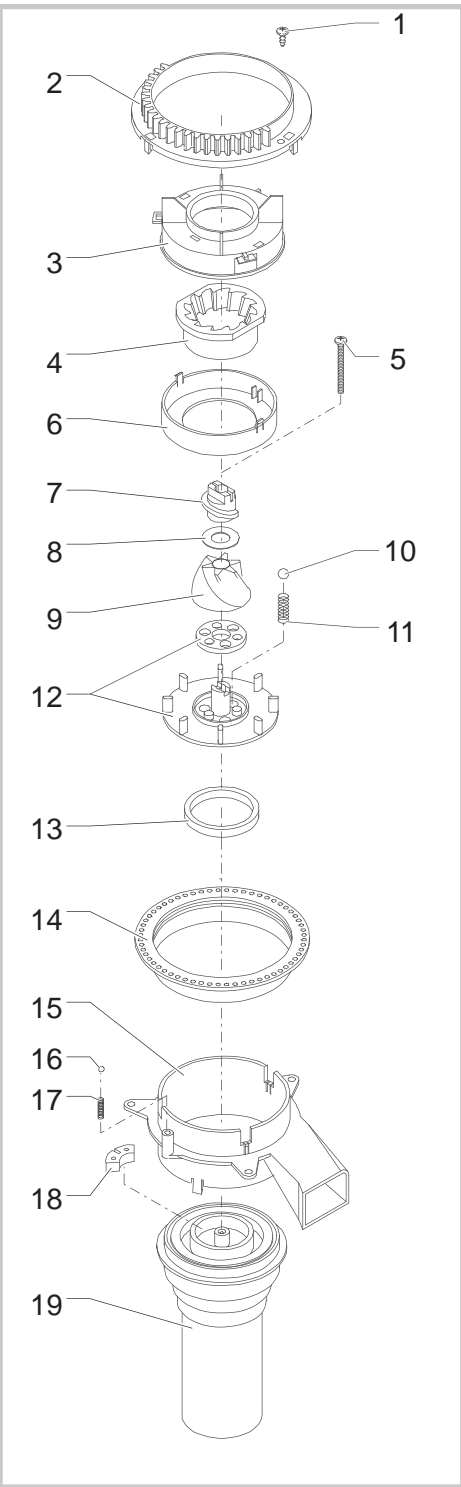


Pos	Article-Nr.	Description	Pos	Article-Nr.	Description
1	147920150	90° INLET PUMP CONNECTOR	47	11009013	TEA/BRASS PIN FOR PISTON L=10
2	183420200	HARNESS + THERMAL FUSE 141 DEG	48	186723800	MICROSWITCH SAIA X3M502K2KAM92AS
3	149360200	SILICONE TUBE 5X8 70SR IN ROLL	49	129573202	SCREW TCB TORX 20 M4X8 AUTOFORMING ZN-B
4	12000131	ULKA PUMP EP5/S 120V-60HZ	50	129025002	TUB.BOILER SUPPORT BRACKET SMART
4	12000140	ULKA PUMP EP5/S GW 230V-50HZ	51	129932202	ROUND HEAD SCREW 10.9 M5X20 GALV
5	149185850	EATON PUMP SUPPORT 4002012 MAGIC	52	9011.132	SS SPRING FOR PIN
6	149361200	BLACK SILICONE TUBE 7,5X9,3 IN ROLL	53	147756562	BLK PROTECTION FOR FOLK SPRING TUBE D=4
7	9011.100	PEG FOR VALVE IN PLASTIC	54	U302.003	GALV.NUT HEXAGONAL M4 UNI 5588
8	289203100	THERMAL PROTECTOR 120°C CABLES 140/340	55	227876800	CONNECTOR TEFLON 2X4 L=235 MM ASSY.
8	289204100	THERMAL PROTECTOR 120°C CABL.140/340	56	9161.132	MYLAR WASHER FOR RATIOMOTOR
9	NM02.028	OR 2015 EPDM FDA	57	149205710	RED PUMP SUPPORT HOLE 13,2
10	129670202	TCB PANELVIT SCREW 3,5X16 TESTA D=8 ZNP	58	144650300	ASPIRATION FILTER GAUZE NET 500 (NEW)
11	229452100	COMPENSATION AND SAFETY VALVE 16BAR ASSY	59	145951600	ELECTRIC INSULATING D=16 SP=0,4
12	9011.144	SS FORK FOR TUBE D=4	60	189428200	THERMOSTAT 175° 1NT-08L-3794
13	140328059	OR 2015 SILICONE PTFE/FDA	60	189428600	THERMOSTAT 175° 1NT-08L-5125
14	140320459	OR ORM 0080-20 SILICONE PTFE/FDA	61	129932502	SCREW TSP 5X30 PLAST.ZN-B
15	283551300	3POLES CONNECTOR TURBINE JP18 SMART ASSY	62	9161.206	INSULATING SPACER FOR BOILER
16	184651100	ANTIDISTURB FILTER 0,47X2+1000Y2+0,5L	63	126838117	2 THERMOSTATS FIXING SPRING
16	184651500	LOCKING SCREW ANTIDISTURB FILTER 16A	64	282058855	V2 TUB.BOILER W/ADDIT.RESIST.1100W 120V
18	JS01.022	SILICONE TUBE 5X10 60SH IN ROLL	64	282058858	V2 TUB.BOILER W/ADDIT.RESIST.1100W 230V
19	9161.018	BRACKET FOR TURBINE	65	227875400	CONNECTOR AS.TEFLON 2X4 L=330 MM
20	286473300	-M-VDE TURBINE WITH SENSOR KIT	66	147922700	BOILER SUPPORT CONNECTOR
21	9161.331.920	TRANSPARENT RATIOMOTOR COVER	67	123453902	SELF-LOCKI.NUT M5X0,8 DIN 980 CLA.8
22	149194800	NATURAL TURBINE SUPPORT SMART	68	149197700	BLACK SUPPORT FOR TUBOL.BOILER SMART
23	NM01.035	OR ORM 0090-20 SILICONE	100	282133758	TUB.BOILER SMART/RS 230V ASSY.
24	NM01.057	OR ORM 0050-20 IN SILICONE	100	282135555	TUB.BOILER SMART/SIRIUS 120V ASSY.
25	9011.099	HOT WATER PIN CURSOR			
26	183440800	CABLE 1 WIRE SILIC.BLACK THERM/FUSE 229°			
26	183441062	CABLE 1WIRE SILICONE BLACK AWG18+TH/FUSE			
27	129823802	TCB SCREW M4X8 UNI 7687 ZNP			
28	227874900	CONNECTOR AS.TEFLON 2X4 L=250 MM			
29	288140455	HEATING-ELEMENT BLECKMAN ASSY.120V 1000W			
29	288140458	HEATING-ELEMENT BLECKMAN ASSY.230V 1000W			
30	189428300	THERMOSTAT 175° INTERCONTR.161471002			
31	127535319	GALV/STEEL THERMAL FUSE FIXING PLATE			
32	128310404	WASHER UNI 8842 A4 BURNISHED			
33	147755900	HEAT.ELEMENT PROTECTION BLECKMANN SMART			
34	NE05.038	MICROSWITCH SAIA XCG5-81-P5			
35	9121.046	BRONZE SINTERED BUSH FOR MOTOR RATIOMOT.			
36	148380200	BAKELIZZATE WASHER D=5,5			
37	9121.044	ANTIVIBRATION FOR MOTOR			
38	286883755	GEN.MOTOR STD V2 M5000 120V ASSY.			
38	286883758	GEN.MOTOR STD V2 M5000 230V ASSY.			
39	123453602	FLANGE NUT M8 TOOTHED BASE GALV.			
40	288582300	SENSOR ELECT.BOARD WITH CONNECTOR ASSY.			
41	11009019	TEA/BRASS PISTON L=20,9 ASSY.			
42	129573402	SCREW TAPT M4X10 DIN 7985 GALV			
43	129910103	HI -LO TC SCREW 3,5X15 RIF.910189			
44	126838217	SENSOR FIXING SPRING			
45	9121.042	GEAR Z=12/90			
46	9121.069.150	GEAR Z=108 FOR MOUNTING PLATE M4000			



Pos	Article-Nr.	Description	Pos	Article-Nr.	Description
1	147920150	90° INLET PUMP CONNECTOR	48	186723800	MICROSWITCH SAIA X3M502K2KAM92AS
2	184320200	SPRING HOSE CLAMP D=9,5MM	49	129573202	SCREW TCB TORX 20 M4X8 AUTOFORMING ZN-B
3	149360200	SILICONE TUBE 5X8 70SR IN ROLL	50	129025002	TUB.BOILER SUPPORT BRACKET SMART
4	12000131	ULKA PUMP EP5/S 120V-60HZ	51	12000892	OETIKER CLAMP D=9,5 16700004
4	12000140	ULKA PUMP EP5/S GW 230V-50HZ	52	NM01.057	OR ORM 0050-20 IN SILICONE
5	149205710	RED PUMP SUPPORT HOLE 13,2	53	11000750	TEA/BRASS CONNECTOR FOR SILICONE TUBE
6	NM01.035	OR ORM 0090-20 SILICONE	54	U302.003	GALV.NUT HEXAGONAL M4 UNI 5588
7	149185850	EATON PUMP SUPPORT 4002012 MAGIC	55	9011.132	SS SPRING FOR PIN
8	289203100	THERMAL PROTECTOR 120°C CABLES 140/340	56	9161.132	MYLAR WASHER FOR RATIOMOTOR
8	289204100	THERMAL PROTECTOR 120°C CABL.140/340	57	126838217	SENSOR FIXING SPRING
9	140321961	OR 2031 IN TERMOIL	58	129573402	SCREW TAPT M4X10 DIN 7985 GALV
10	129670202	TCB PANELVIT SCREW 3,5X16 TESTA D=8 ZNP	59	145951600	ELECTRIC INSULATING D=16 SP=0,4
11	11010166	PLAST-TEA/BR.SAFETY VALVE 16-18 BAR ASSY	60	189428200	THERMOSTAT 175° 1NT-08L-3794
12	11004209	V2 SUPPORT FOR TUBOL.BOILER SMART	61	129932502	SCREW TSP 5X30 PLAST.ZN-B
13	126838117	2 THERMOSTATS FIXING SPRING	62	9161.206	INSULATING SPACER FOR BOILER
14	9011.100	PEG FOR VALVE IN PLASTIC	100	11010353	TUB.BOILER V3 SMART/RS 230V ASSY.
15	283551300	3POLES CONNECTOR TURBINE JP18 SMART ASSY	100	11010354	TUB.BOILER SMART/RS 120V ASSY.
16	184651100	ANTIDISTURB FILTER 0,47X2+1000Y2+0,5L			
16	184651500	LOCKING SCREW ANTIDISTURB FILTER 16A			
18	JS01.022	SILICONE TUBE 5X10 60SH IN ROLL			
19	9161.018	BRACKET FOR TURBINE			
20	286473300	-M-VDE TURBINE WITH SENSOR KIT			
21	9161.331.920	TRANSPARENT RATIOMOTOR COVER			
22	149194800	NATURAL TURBINE SUPPORT SMART			
23	140320459	OR ORM 0080-20 SILICONE PTFE/FDA			
24	11004667	V5 TUB.BOILER W/ADDIT.RESIST.1100W 230V			
24	11004669	V5 TUB.BOILER W/ADDIT.RESIST.1100W 120V			
25	11002606	BOILER SUPPORT CONNECTOR			
26	183440800	CABLE 1 WIRE SILIC.BLACK THERM/FUSE 229°			
27	129823802	TCB SCREW M4X8 UNI 7687 ZNP			
28	11010624	TRANSP.SILICONE TUBE 10,5X12,3 L=200 MM			
29	11004550	BLECKMAN RESISTANCE SMART 230V ASSY.			
29	11004551	BLECKMAN RESISTANCE SMART 120V ASSY.			
30	189428300	THERMOSTAT 175° INTERCONTR.161471002			
31	127535319	GALV/STEEL THERMAL FUSE FIXING PLATE			
32	128310404	WASHER UNI 8842 A4 BURNISHED			
33	147755900	HEAT.ELEMENT PROTECTION BLECKMANN SMART			
34	NE05.038	MICROSWITCH SAIA XCG5-81-P5			
35	9121.046	BRONZE SINTERED BUSH FOR MOTOR RATIOMOT.			
36	148380200	BAKELIZZATE WASHER D=5,5			
37	9121.044	ANTIVIBRATION FOR MOTOR			
38	11003037	MOTOR FOR RATIOMOTOR ASSY.			
39	123453602	FLANGE NUT M8 TOOTHED BASE GALV.			
40	288582300	SENSOR ELECT.BOARD WITH CONNECTOR ASSY.			
41	11009019	TEA/BRASS PISTON L=20,9 ASSY.			
42	16000380	5X8,9 SILICONE TUBE IN ROLL			
43	129910103	HI -LO TC SCREW 3,5X15 RIF.910189			
44	9011.099	HOT WATER PIN CURSOR			
45	9121.042	GEAR Z=12/90			
46	9121.069.150	GEAR Z=108 FOR MOUNTING PLATE M4000			
47	11009013	TEA/BRASS PIN FOR PISTON L=10			





Pos	Article-Nr.	Description	Pos	Article-Nr.	Description
1	129511803	SCREW TCB 2,9X6,4 DIN 7981 NICK	51	289202200	THERMAL.PROTECTOR 100°C
2	148650250	SECTOR GEARGRIND ADJUSTMENT KNOB COMBI	51	289203600	THERMAL.PROTEC.100€ UL CAB.145/200
3	149186150	BLACK UPPER GRINDER SUPPORT MAGIC	52	9161.076.150	DOSER DOOR PIN GREY
5	129931002	TORX SCREW T10 TCB 3,5X40 SX ZNG	53	U701.003	SNAP RING 7 UNI 7434
6	142844550	UPPER GRINDER COVER COFFEE GRIND. MAGIC	54	9161.074.150	DOSER DOOR GREY
7	147470763	INCREASE SCREW PIN COFFEE GRINDER MAGIC	55	9161.048	SCRAPER ROD
8	U201.002	PLAIN WASHER 10X16X0,2DIN 988 GAL	56	U140.004	PANELVIT TCB 3,0X12 DIN 7505 B GAL
9	226473500	KIT TECNA GRINDERS	57	186724200	MICROSWITCH SAIA X3M502K2KAJ32AV
10	128610521	STAIL.STEEL AISI 304 SPHERE D=5,5MM	58	9011.144	SS FORK FOR TUBE D=4
11	126765517	STEEL SPRING SPHERE D=5,5 MOTOR MAGIC	59	11003733	TEA/BRASS STEAM FAUCET SMART
12	149188750	CONICAL GRIND. SUPP. + RING MAGIC	60	140328561	OR D=4,18 X 1,90 IN TERMOIL
13	140360200	FELT RING 40X34X5	61	140640300	FAUCET SHAFT SMART
14	146570950	RING NUT FOR GRINDING ADJUSTMENT MAGIC	62	283770655	ELECTROMAGN.SMART 120V ASSY.
15	149194200	BLACK GRINDER MOTOR SUPPORT SMART	62	283770658	ELECTROMAGN.SMART 230V ASSY.
16	128610421	STAIL.STELL AISI 304 SPHERE D=3,2MM	63	9161.041	DOSER ELECTROMAGNET CORE
17	126770117	NEW SPRING SPHERE D=3,2 MOTOR MAGIC	64	126764818	SPRING ELECTROM.BEAN DOSER MAGIC
18	140230400	SHOCK ABS .CONICAL GRINDER SUPP.MAGIC	65	NE05.017	MICROSWITCH
19	9141.075.00A	RULES WERKS COF.GRINDER MOTOR MIELE 230V	66	9161.072.150	MICRO SUPPORT CURSOR GREY
19	9141.075.00F	RULES WERKS COF.GRINDER MOTOR MIELE 120V	67	9161.073.150	DOSE CONTROL COMPENSATOR GREY
20	0352.022.050	SPACER SUPPORT FAUCET S6000 BLACK	68	DM2296	COMPRESSION RING
21	283544900	2P.CONNECT.COFFEE GRINDER JP1 33MH ASSY.	69	9161.383	SPACER FOR NESPRESSO KNOB
21	283544955	2P.CONNECT.COFFEE GRINDER JP1 33MH ASSY.	70	NF11.084	PHOSPH/STEEL FOLK SPRING
22	9991.103	ANTIVIBRATION FOR COFFEEGRINDER	100	0345.R05	SPARES KIT
23	9141.052	BLACK COFFEEGRINDER REINFORCING RING			
24	129670202	TCB PANELVIT SCREW 3,5X16 TESTA D=8 ZNP			
25	147531500	BLACK GRINDER SUPPORT PLATE P107			
26	145895350	BLACK MOUNTING PLATE INSERT SMART			
27	11004183	BLACK BREW UNIT NEW P107			
28	129660102	PANELVIT TCB SCREW 3,5X18 D.7505 Z			
29	U207.004	PLAIN WASHER 4,3X16 UNI 6592 GAL			
30	145851862	BLACK GROUND COFFEE OUTLET SEAL SMART			
31	147756400	BLACK STEAM FAUCET PROTECTION SMART			
32	227533000	BLACK BOILER SUPPORT PLATE SMART ASSY.			
33	227701537	STEAM KNOB G6000 SILVER			
34	147572150	PLATE FIXING TOOTHED SLIDE SMART			
35	148740550	TOOTHED SLIDE FOR DOSE ADJUST SMART			
36	9161.122.150	DOSE ADJUSTMENT LEVER GREY CLASSIC			
37	11005343	BLACK STEAM FAUCET SUPPORT V2 SMART			
38	U109.021	screw AUT.TCB 3,5X22 DIN 7981 C			
39	126772018	BRAIDED SILICONE TUBE 3X7 SPRING DI=7,5			
40	186723800	MICROSWITCH SAIA X3M502K2KAM92AS			
41	9161.345.050	BLACK INTERNAL COVERING PUMP SPACE			
42	9161.333.050	BLACK BOILER COVER SMART			
43	129535721	SCREW TSP TORX 10 AB 3,5X9,5 SHEET SS			
44	11009018	TEA/BRASS PISTON L=15,1 ASSY.			
45	NF11.052	OETIKER CLIP			
46	126765317	STEEL SPRING BOILER PISTON MAGIC			
47	11009007	TEA/BRASS STEAM FAUCET PLUG			
48	140328059	OR 2015 SILICONE PTFE/FDA			
49	229433300	BRAIDED SILICONE TUBE 3X7 L=185 MM			
50	9161.332.050	BLACK PUMP COVER SMART			