

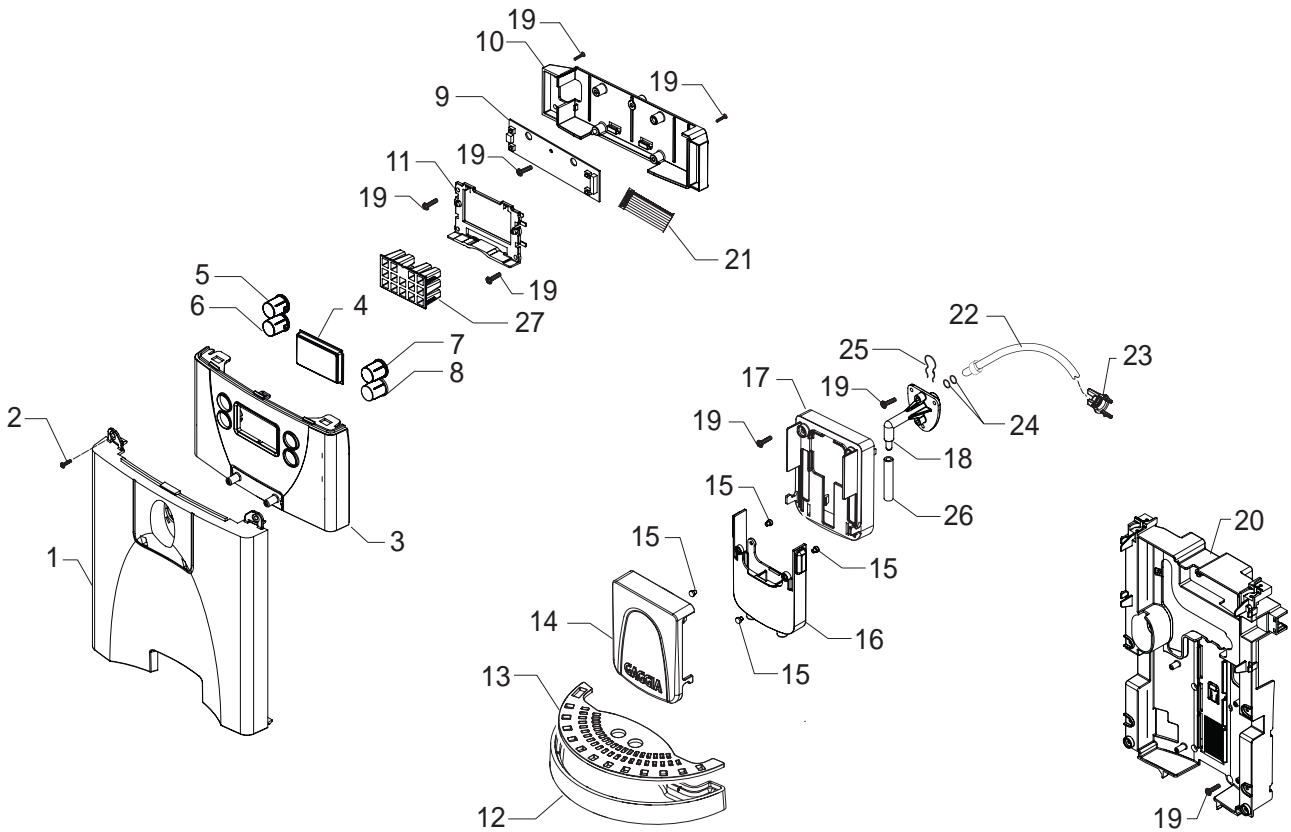
GAGGIA

**RI 9933
SUP035G**



Code 10003721- 3842

POS	CODE	DESCRIPTION	NOTE	POS	CODE	DESCRIPTION	NOTE
01	15002674	MANUAL GAG SUP035G GPM GB/I/D/F		40	11007312	BLACK DRIP TRAY COFFEE UNIT G0053	
	15002675	MANUAL GAG SUP035G GPM E/P/NL/PL		41	129914002	SCREW TCB TORX 10 3,5X16 PLAST.ZN-B	
02	11022867	GAGGIA KLUBER TRIBOSTAR SIL 2 TUBE 5GR.		42	11001668	NATURAL/GREY WATER CONTAINER LID P0053	
03	11003785	BLACK GRINDER ADJUSTMENT KEY P0049		43	11012466	BRASS BUSH BEAN CONT.FINGER PROTEC.P0057	
04	183911050	POWER CABLE SCHUKO BLACK L=1200		44	11008867	5P.CONNECT.RATIOMOTOR/DOOR/DUMPBOX S0053	
	183970350	BLK POWER CABLE 3X1 H05VV-F UK L=1200MM		45	13001329	PS-E INSERT FOR BOX GPM	
05	11007279	BLACK WATER TANK OUTLET COVER G0053					
06	13000695	CARTON INSERT FOR BOX S0053					
07	17000579	BLACK FRONT CASING GPM					
08	11002017	TRANSPARENT WATER CONTAINER P0053 ASSY.					
09	224640200	EXTERNAL FILTER FOR WATER CONTAINER ASSY	WITH PART.N°10				
10	140328461	EPDM OR METRIC 0190-10					
11	11003672	SPRING FOR WATER CONTAINER VALVE P0049					
12	11003673	GREY WATER CONTAINER VALVE INSERT P0049					
13	11003671	TRANS.VALVE FOR WATER CONTAINER P0049					
14	11001298	BLACK LID FOR DUCKBILL VALVE P0049					
15	20006907	KIT PS-E INSERT FOR BOX S0053					
16	U043.004	ZN-B TCB SCREW M4X16					
17	13001305	FLEXOGRAPHATE BOX GPM GAGGIA UNICA					
18	11025142	CPU+SW GPM ASSY.	230V				
19	11008531	TRANS/GREY BEAN COFFEE CONTAIN.LID S0053					
20	129661702	SCREW TCB TORX 3,5X30 PLAST.ZN-B					
21	11013367	BLACK BEAN CONTAIN.FINGER PROTECT.S0053					
22	11001340	BLACK DOOR PIN P0049					
23	11013739	BLACK V2 COVER CASING S0053					
24	11008956	SS SPRING FOR LOCK DOOR G0053					
25	11007251	BLACK LEFT SIDE CASING G0053					
26	12000450	SCREW TCB TORX 10 3,5X12 PLAST.GALVANIZ					
27	11009272	BLACK WATER-STEAM KNOB P0049					
28	11004687	MOUNTING PLATE WITH PIN P0049 PP+T ASSY.					
29	12000280	CUP SOCKET EN 60320 C 13					
30	U140.001	PANELVIT TCB 3,5X40 DIN 7505 B GAL					
31	11007249	BLACK RIGHT SIDE CASING G0053					
32	11007317	BLACK DOOR G0053					
33	11000223	BLACK WHEEL FOR CASING BOTTOM P124					
34	9161.111	MAGNET FOR FLOAT SUPERAUTOM.					
35	129913202	SCREW TCB TORX 10 3X8 PLAST.ZN-B					
36	11003533	BLACK DUMP BOX P0049 ASSY.					
37	11003154	BLACK REED SENSOR SUPPORT P0049					
38	11005046	BLACK INSIDE COVER DOOR G0053					
39	11008530	BLACK CLOSING CAP FOR CASING G0053					



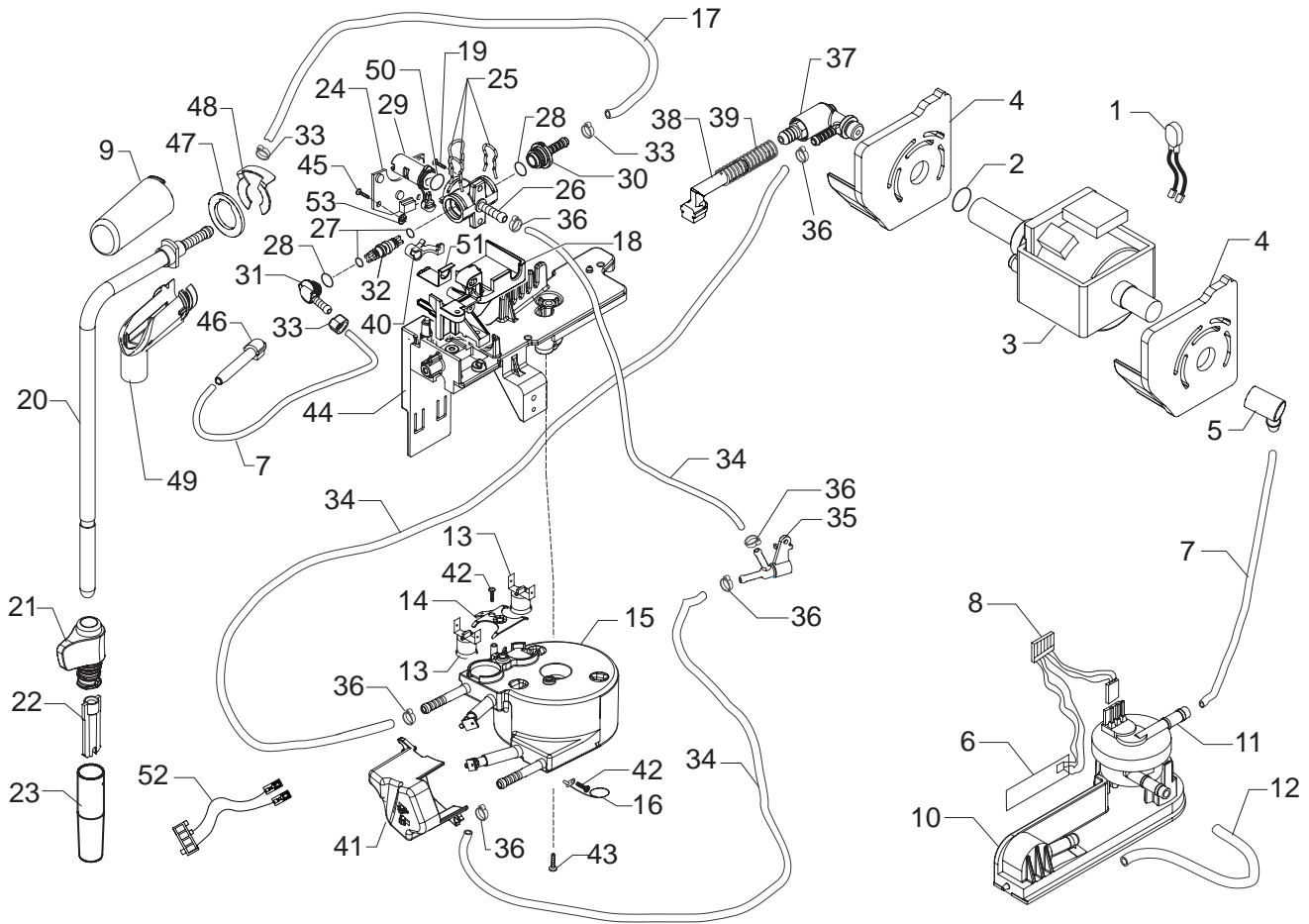
GAGGIA®

**RI 9933
SUP035G**



Code 10003721- 3842

POS	CODE	DESCRIPTION	NOTE	POS	CODE	DESCRIPTION	NOTE
01	11025524	SILVER FRONT CASING COVER GPM					
02	129913202	SCREW TCB TORX 10 3X8 PLAST.ZN-B					
03	11025522	SILVER FRONT PANEL S/SCR.GAGGIA GPM					
04	17000728	TRANSPARENT GLASS FOR LED GPM					
05	11021877	BLACK SHORT COFFEE CUP BUTTON GXSM					
06	11021886	BLACK LONG COFFEE CUP BUTTON GXSM					
07	11021889	BLACK.ON/OFF BUTTON GXSM					
08	17000632	BLACK STEAM COFFEE BUTTON GPM					
09	11025084	KEYBOARD LED INTERFACE GPM					
10	17000577	BLACK KEYBOARD SUPPORT GPM					
11	11013889	BLACK CPU BOARD RETAINING INSERT GXSM					
12	11008536	BLACK DRIP TRAY S0053					
13	11025494	SILVER GRATE FOR DRIP TRAY S0053					
14	11025226	CHROM.FRONT COVER COFFEE DISPEN. GPM					
15	11013085	WHITE COFFEE DISPENSER SLIDER MYB9					
16	11021389	BLACK EXT.MOBILE COF.DISPENSER GMYB					
17	11025526	SILVER REAR COVER COFFEE DISPENSER GPM					
18	17000582	BLACK COFFEE DISPENSER TUBE GPM					
19	12000450	SCREW TCB TORX 10 3,5X12 PLAST.GALVANIZ					
20	11004741	BLACK DRIP TRAY GUIDE G0053					
21	11000851	16 POLES FLATCABLE DISPLAY P124/C					
22	11009297	TEFLON TUBE 2X4 L=155 MM ASSY.					
23	11006504	BLACK TUBE TEFLON INSERT G0053					
24	140328059	OR 2015 IN SILICONE PTFE/FDA					
25	9011.144	FORK FOR TUBE D.4					
26	17000638	TRANSP.TUBE FOR COFFEE DISPENSER GPM					
27	11023369	WHITE GUIDE LIGHT SUPPORT GXSM					



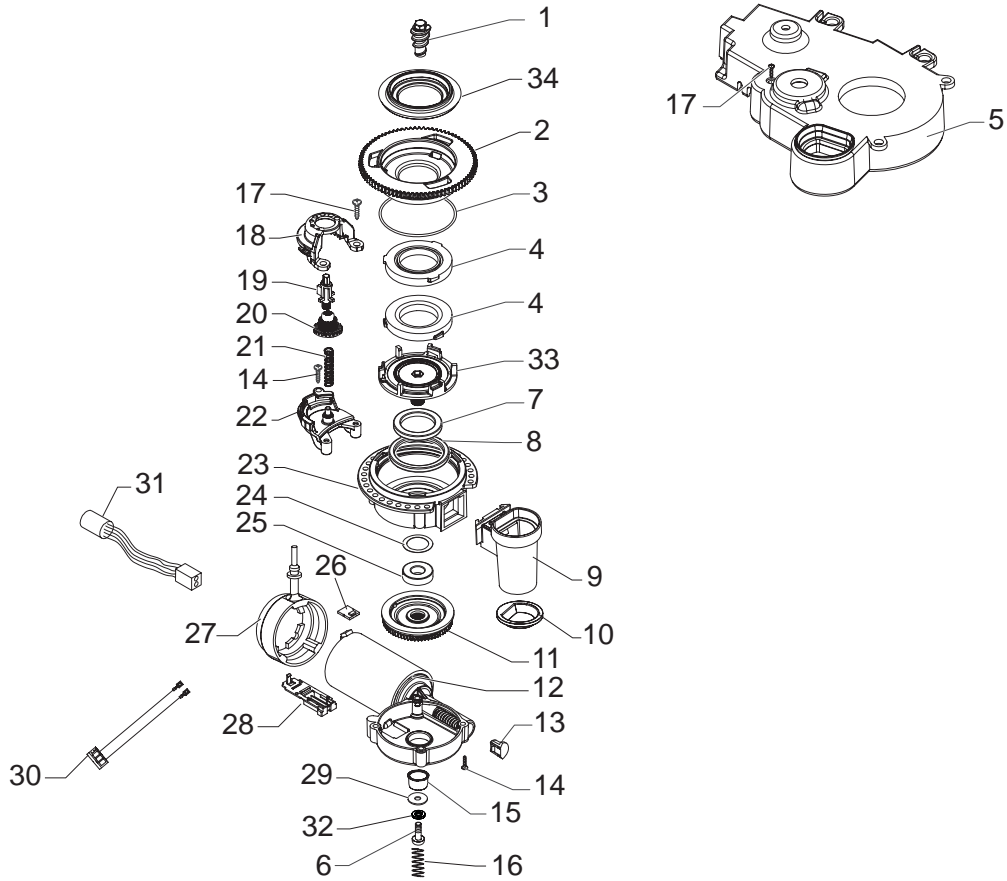
GAGGIA

**RI 9933
SUP035G**



Code 10003721- 3842

POS	CODE	DESCRIPTION	NOTE	POS	CODE	DESCRIPTION	NOTE
01	11005668	2POLES CONNECTOR PUMP P0049 UL		42	129573202	SCREW TCB PH/TT 4X8 UNI 8112 ZNP	
02	140321961	OR 2031 IN TERMOIL		43	129932502	SCREW TCEI 5X30 PLAST.ZN-B	
03	12000140	ULKA PUMP EP5/S GW	230V-50HZ	44	11001332	BLACK BOILER-FAUCET-VALVE SUPPORT P0049	
04	11006296	BLACK PUMP SUPPORT P0049 ASSY.		45	129913202	SCREW TCB TORX 10 3X8 PLAST.ZN-B	
05	147920150	90°CONNECTOR PUMP INLET		46	11001630	MILK ISLAND DESCARGING WATER CONNECTION	
06	11000651	WATER LEVEL SENSOR BOARD P124		47	11001624	STEAM TUBE WASHER P0049	
07	149360200	SILICONE TUBE 5X8 70SR	IN ROLL	48	NF11.084	FOLK SPRING	
08	11008906	3 POLES CONNECT.FLOWMETER S0053 UL		49	147921750	BLACK CONNECTOR STEAM TUBE SMART	
09	142853850	BLACK COVER CONNECTOR STEAM TUBE SMART		50	12001615	OR 2025 IN EPDM PEROX.FDA 70 SH	
10	11003670	BLACK TURBINE SUPPORT V2 P0049		51	11002957	SS.FAUCET FOR SPRING P0049	
11	12000781	TURBINE D=1,2 932-8521/90 ASSY.		52	11001824	2POLES CONNECTOR GRINDER MOTOR S0053	
12	JS01.022	SILICONE TUBE 5X10 60 SHORE	IN ROLL	53	U207.003	PLAIN WASHER 3,2X7 UNI 6592 GAL	
13	12001034	THERMOSTAT ONE SHOT 175°					
14	11001751	THERMOSTATES SPRING FOR BOILER		11025775		TEA/BRASS FAUCET V2 P0049-P0053 ASSY. WITH PART. N°25-26-27-28-29-30-31-32-50	
15	11013735	ALUM.BOILER SLIM ASSY.	230V-1300W	11025191		TUBOL.BOILER GPM 230V ASSY.	COMPLETE
16	190800100	TEMPERATURE SENSOR NTC UL L=280MM					
17	16000170	WHITE BRAIDED SILICON TUBE 3X6	IN ROLL				
18	11006022	BLACK FAUCET SUPPORT G0053					
19	129913902	SCREW TCB TORX 10 3X12 PLAST.ZN-B					
20	11008806	ST.STEEL STEAM TUBE S0053 ASSY.					
21	11007194	BLACK STEAM TUBE HANDGRIP G0053					
22	11001620	PANNARELLO INTERNAL TUBE P0049					
23	11001769	BLACK COVER PANNARELLO P0049					
24	11007569	TAP ELECTRONIC CARD G0053 ASSY.					
25	11001499	FORK SPRING FOR FAUCET P0049					
26	11004625	TEA/BRASS FAUCET CASING P0049					
27	12001614	OR 2012 IN EPDM PEROX.FDA 70 SH					
28	12001613	OR 108 IN EPDM PEROX.FDA 70 SH					
29	11025776	PLAST/BRASS FAUCET SHAFT V2 P0049 ASSY.					
30	11001546	FAUCET STRAIGHT CONNECTOR P0049					
31	11001544	BLACK FAUCET CONNECTOR P0049					
32	11004134	TEA/BRASS FAUCET SHAFT P0049					
33	NF11.052	OETIKER CLIP					
34	16000380	5X8,9 SILICONE TUBE	IN ROLL				
35	11001330	BLACK CONNECTOR FOR PIN BOILER P0049					
36	12000892	OETIKER CLAMP D=9,5 16700004					
37	11010166	SAFETY VALVE 16-18 BAR V2 P0049 ASSY.					
38	11001629	PUMP DESCARGING WATER CONNECTION P0049					
39	11005003	DESCARGING WATER CONNECTOR SPRING P0049					
40	11008876	BRASS FAUCET BLOCK INSERT P0049/A					
41	17000386	BLK BOILER CONNECTORS COVER P0049/P0053					



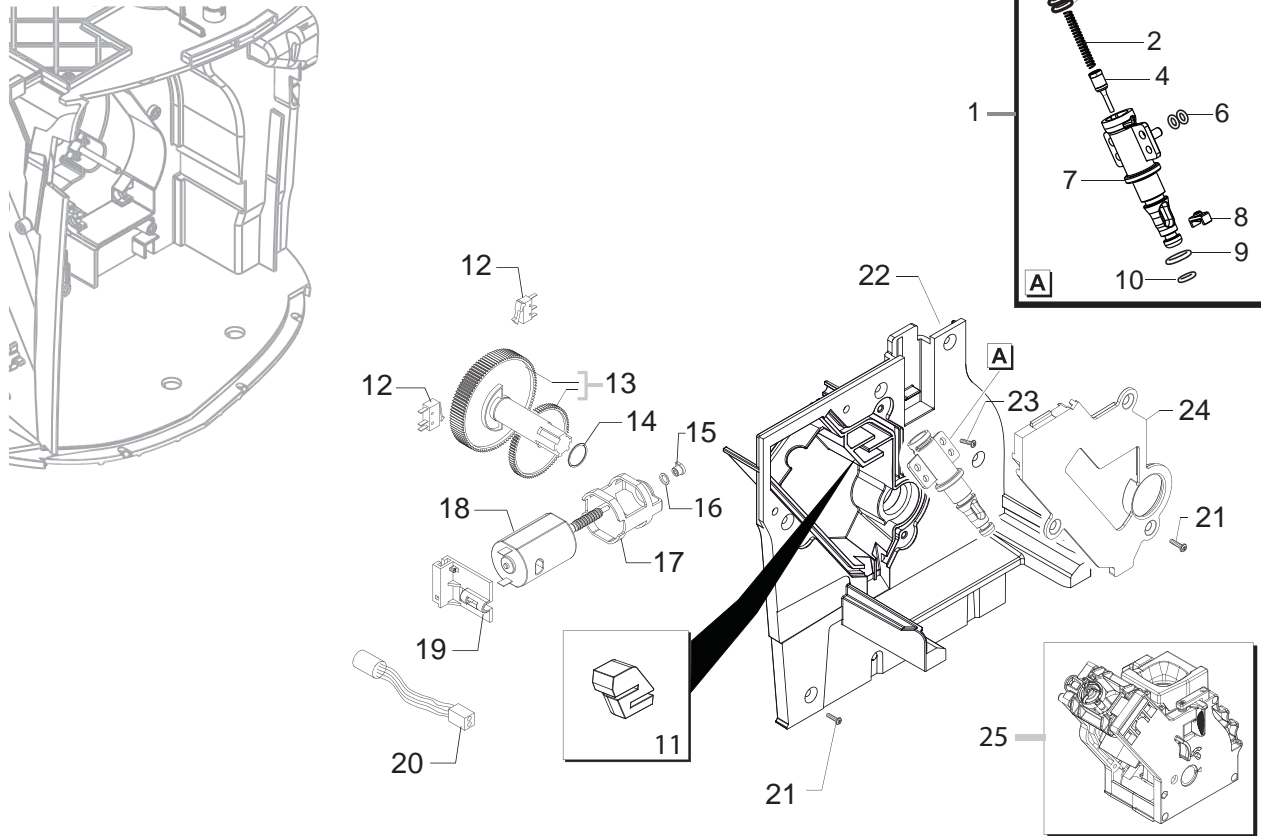
GAGGIA

**RI 9933
SUP035G**



Code 10003721- 3842

POS	CODE	DESCRIPTION	NOTE	POS	CODE	DESCRIPTION	NOTE
01	11010031	TEA/ZAMA INCREASE SCREW GRINDER					
02	149198250	UPPER GRINDER SUPPORT COFFEEGRINDER					
03	140328960	NBR FDA OR METRIC 0530-15					
04	146520100	BAKED CLAY GRINDER 48X28					
05	17000818	COFFEE GRINDER SOUNDPROOFING COVER GPM					
06	129574802	SCREW TCB TORX 20 M4X30 ZN-B					
07	123030300	AXIAL BEARING EKKO 342.35252					
08	140360500	FELT RING 45,4X39,4X4					
09	11012564	GROUND COFFEE OUTLET CONVEYOR V2 ASSY					
10	145854462	GROUND COFFEE CONT.SEAL LOWER SMART1					
11	226000300	GEAR SX Z=38 FOR GRINDER MOTION ASSY.					
12	11000513	MOTOR COFFEEGRINDER/V3.1 DOMEL ASSY	230V				
13	149214800	CAP FOR WORM SCREW MC/V3 CENTRING					
14	129661702	SCREW TCB PH 3,5X30 PLAST.ZN-B					
15	11002873	INSULATOR BUSH FOR GRINDER MOTOR P124					
16	11000597	COFFEE GRINDER SUPPORT SPRING P124					
17	129914002	SCREW TCB TORX 10 3,5X16 PLAST.ZN-B					
18	11002508	UPPER GEAR SUPPORT COFFEEGRINDER P124					
19	11003446	BLACK INSERT FOR COFFEE GRINDER P0049					
20	11003784	COFFEE GRINDING ADJUSTMENT GEAR P0049					
21	11002572	GRINDER REGULATION SPRING P124					
22	11002613	LOWER GEAR SUPPORT COFFEEGRINDER P124					
23	142905450	UPPER BODY WITH COFFE.GROUND OUTLET					
24	128381800	CRINKLE WASHER 21,8X15,8X0,2					
25	123030200	RADIAL BEARING 61900.2RS1					
26	181540900	ELECTRONIC BOARD WITH SENSOR HAL506					
27	11001367	BLACK COFFEE GRINDER SUPPORT P0049					
28	149199050	SENSOR SUPPORT FOR COFF.GRIND.MOTOR					
29	128381902	GALVAN.FLAT WASH.DI=4,3 DE=14 SP=1,5					
30	11008869	2POLES CONNECTOR GRINDER MOTOR S0053					
31	11008871	3 POLES CONNECTOR MC SENSOR S0053 UL					
32	128310402	GALV.WASHER UNI 8842 A4					
33	149198350	LOWER GRINDER SUPPORT COFFEEGRINDER					
34	145857062	COFFEE GRINDER SEAL P119					
	11013435	GENERAL MOTOR MC V3 S0053 230V ASSY.					



GAGGIA

**RI 9933
SUP035G**



Code 10003721 - 3842

POS	CODE	DESCRIPTION	NOTE	POS	CODE	DESCRIPTION	NOTE
01	11005060	PIN V2 FOR BOILER P119 ASSY.					
02	9011.132	SPRING FOR PIN					
03	11003820	CAP V2 FOR PIN BOILER P119					
04	11009019	TEA/BRASS PISTON L=20,9 ASSY.					
05	140324459	OR ORM 0060-20 IN SILICONE PTFE/FDA					
06	140328059	OR 2015 IN SILICONE PTFE/FDA					
07	11003801	NATURAL PIN V2 FOR BOILER P119					
08	11005099	NATURAL CURSOR V2 FOR BOILER P119					
09	NM01.035	OR ORM 0090-20 SILICONE					
10	NM01.057	OR ORM 0050-20 IN SILICONE					
11	11022216	BLACK PROTECTION FOR COVER PLATE P0049					
12	11008868	MICRO.RATIOMOTOR S0053 UL ASSY.					
13	20000900	SPARES KIT GEARS FOR RATIOMOTOR V2					
14	9161.132	MYLAR WASHER FOR RATIOMOTOR					
15	9121.046	SINTERED BUSH FOR MOTOR					
16	148380200	WASHER BAKELIZZATE D=5,5					
17	9121.044	ANTIVIBRATION FOR MOTOR					
18	11003037	MOTOR FOR RATIOMOTOR ASSY.					
19	11001331	BLACK MICROSWITCH SUPPORT DUMP BOX P0049					
20		PARTICULAR NOT AVAILABLE	SEE PART.N°44 TABLE 01				
21	129914102	SCREW TSP TORX 10 3,5X12 PLAST.ZN-B					
22	11006337	BLACK COVER MOUNTING PLATE P0049 ASSY.					
23	129914002	TCB SCREW 3,5X16 PLAST.					
24	11001312	BLACK COVER FOR VAIN BOILER P0049					
25	11009266	BLACK BREW UNIT 8GR. S0053 (SEE COD. EXPL. E90065)					