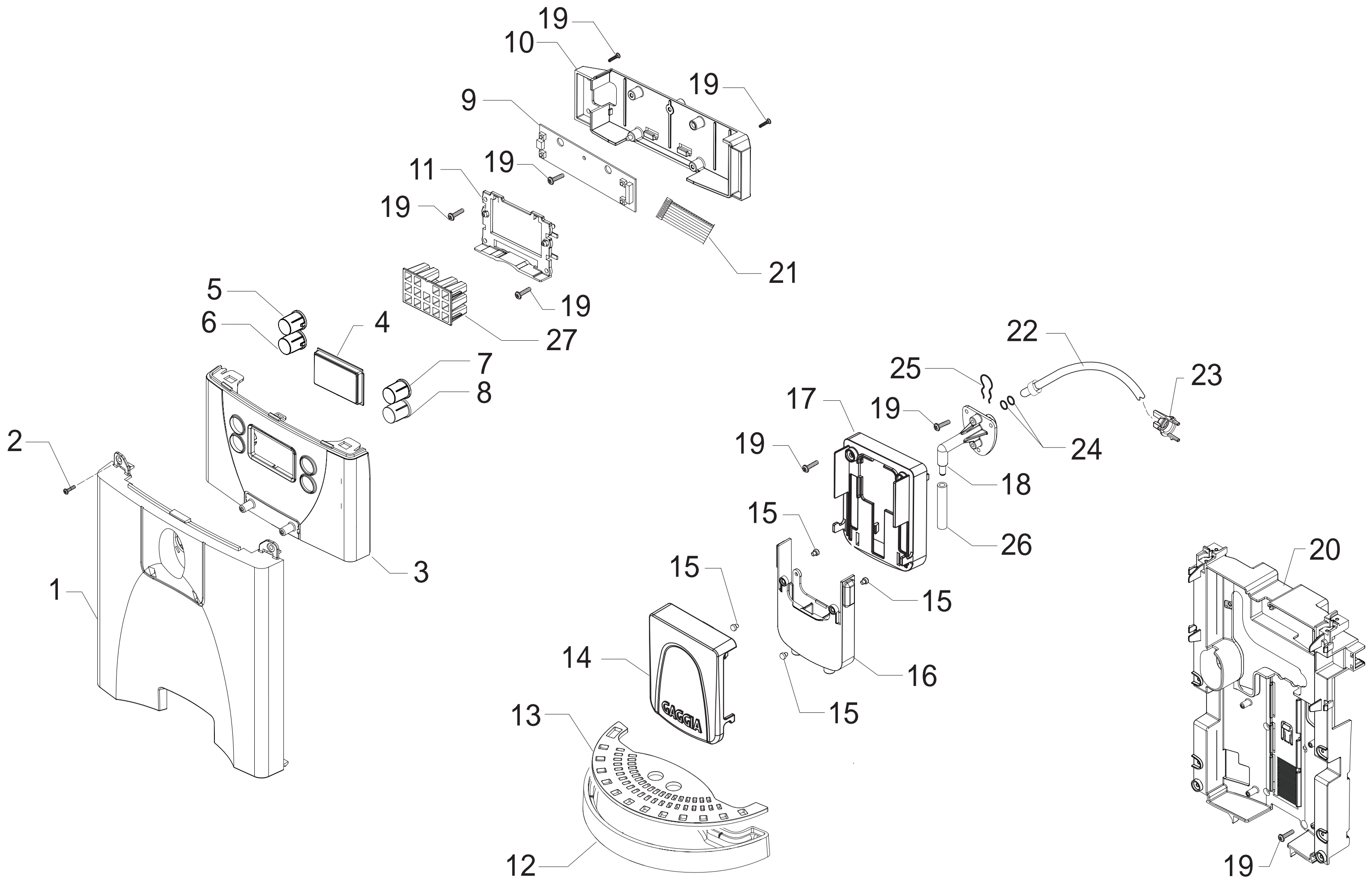
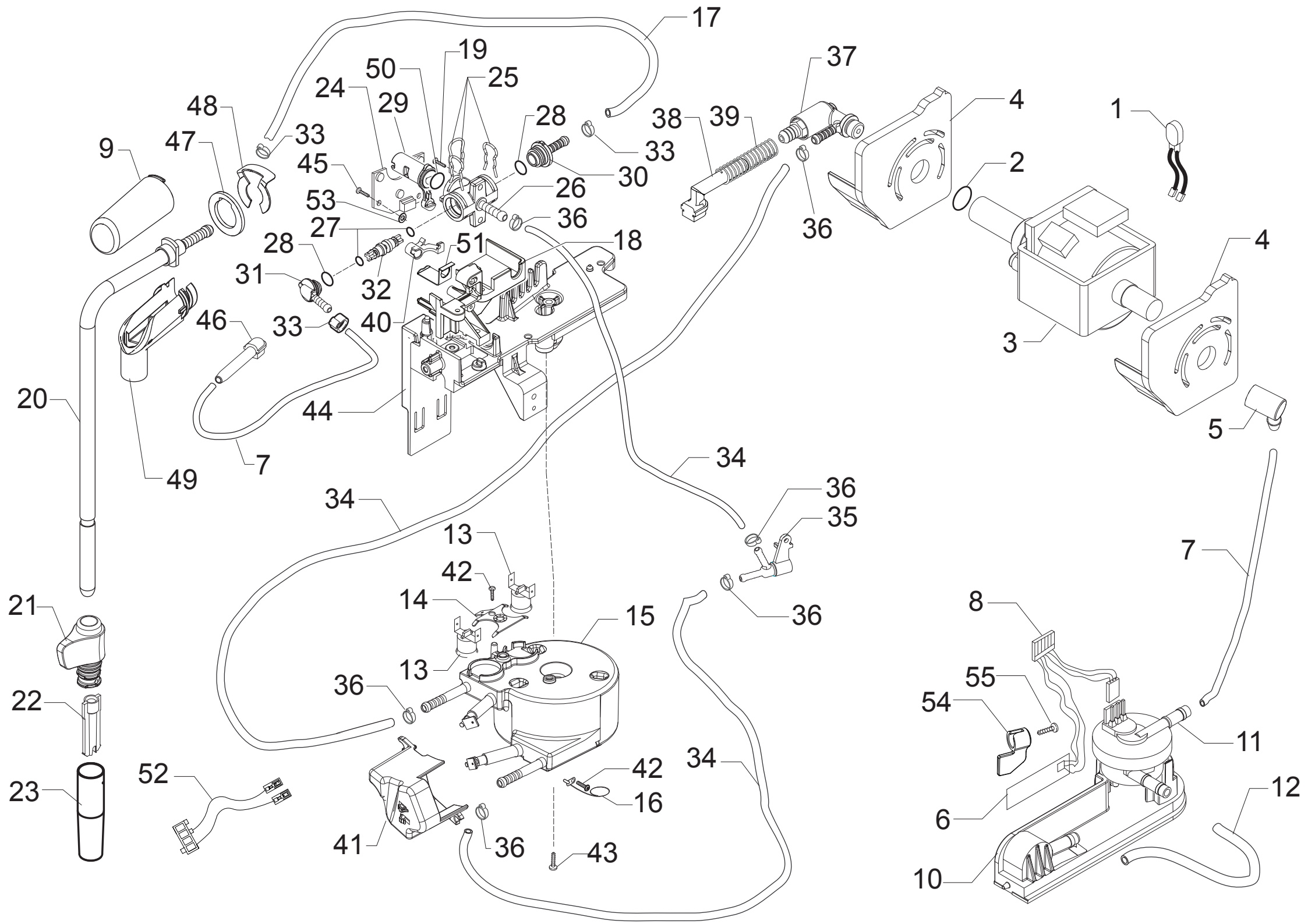


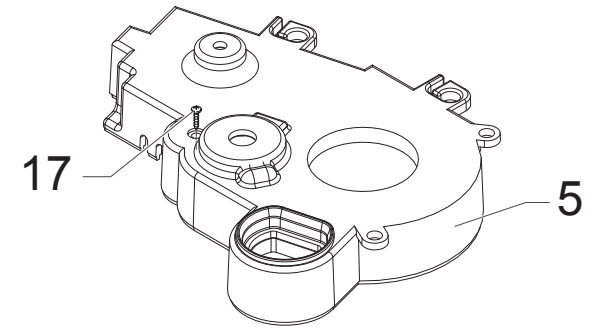
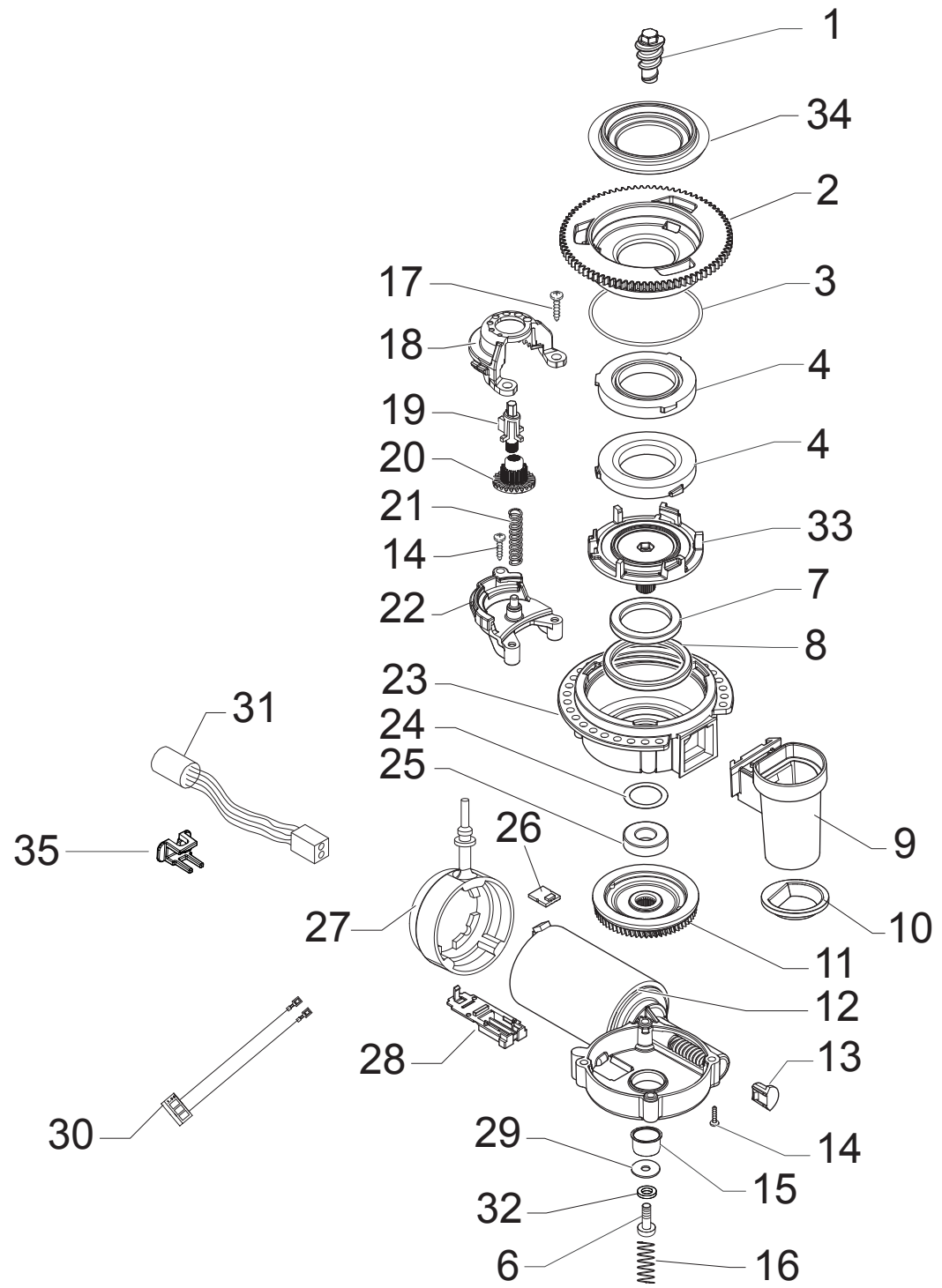
Pos	Article-Nr.	Description	Pos	Article-Nr.	Description
1	15002674	MANUAL GAG SUP035G GPM GB/I/D/F	40	11007312	BLACK COFFEE UNIT DRIP TRAY G0053
1	15002675	MANUAL GAG SUP035G GPM E/P/NL/PL	41	129914002	SCREW TCB TORX 10 3,5X16 PLAST.ZN-B
1	15002926	MANUAL GAG SUP035G GPM GB/CHN	42	11001668	NAT/GREY WATER CONTAINER LID P0053
1	15002970	MANUAL GAG SUP035G GPM GB/F/E	43	11012466	BRASS BUSH BEAN CONT.FINGER
1	15003011	MANUAL GAG SUP035G GPM GB/KOR	44	11008867	PROTEC P0057 5P.CONNECT.RATIOMOTOR/DOOR/DUMPBOX
1	15003064	MANUAL GAG SUP035G GPM GB/P	45	13001329	S0053 PS-E INSERT FOR BOX GPM
2	11022867	GAGGIA KLUBERLUB NH1 11-222 TUBE 5GR.	46	11010592	LOWER INSULATE SHEET PWR ELE.BOARD
3	11003785	BLACK GRINDER ADJUSTMENT KEY P0049	47	11030799	S0053 NAT/GREY BEAN CONTAINER PROTECT.V2 S0053
4	11004247	BLACK POWER CABLE RVV 3X1 CHINA L=1200	48	20007153	KIT SPAR.CASING COVER+BEAN COF.CONT.LID
4	11001985	BLACK POWER CABLE KOREA L=1200			
4	17800330	BLACK POWER CABLE BRAZIL L=1200			
4	183911050	BLACK POWER CABLE SCHUKO L=1200			
4	183921950	POWER CABLE SJT3 USA BLACK UL L=1200			
4	183970350	BLACK POWER CABLE UK L=1200			
5	11007279	BLACK WATER TANK OUTLET COVER G0053			
6	13000695	CARTON INSERT FOR BOX S0053			
7	17000579	BLACK FRONT CASING GPM			
8	11002017	NAT/GREY WATER CONTAINER P0053 ASSY.			
9	224640200	WHITE WATER CONTAINER EXT.FILTER ASSY.			
10	140328461	OR ORM 0190-10 EPDM			
11	11003672	SS SPRING FOR WATER CONTAIN.VALVE P0049			
12	11003673	GREY WATER CONTAINER VALVE INSERT P0049			
13	11003671	TRANSP.VALVE FOR WATER CONTAINER P0049			
14	11001298	BLACK LID FOR DUCKBILL VALVE P0049			
15	20006907	KIT PS-E INSERT FOR BOX S0053			
16	U043.004	ZN-B TCB TORX 20 M4X16 ZN-B			
17	13001305	FLEXOGRAPH.BOX GPM GAG UNICA			
18	11025142	AS.CPU+SW GPM 230V			
18	11025554	AS.CPU+SW GPM 120V			
19	11030797	NAT/GREY BEAN COFFEE CONT.LID V2 S0053			
20	129661702	SCREW TCB TORX 3,5X30 PLAST.ZN-B			
21	11013367	BLACK BEAN CONTAIN.FINGER PROTECT.S0053			
22	11001340	BLACK DOOR PIN P0049			
23	11030798	BLACK COVER CASING V3 S0053			
24	11008956	SS DOOR LOCK SPRING G0053			
25	11007251	BLACK LEFT SIDE CASING G0053			
26	12000450	SCREW TCB TORX 10 3,5X12 PLAST.ZN-N			
27	11009272	BLACK WATER-STEAM KNOB P0049			
28	11030061	MOUNTING PLATE W/PIN V3 P0049 ASSY.			
28	11030062	MOUNTING PLATE W/PIN V3 P0049 UL ASSY.			
29	12001883	CUP SOCKET V3 EN 60320 C 13			
30	U140.001	SCREW TCB TORX 10 3,5X40 PLAST.ZN-N			
31	11007249	BLACK RIGHT SIDE CASING G0053			
32	11007317	BLACK DOOR G0053			
33	11000223	BLACK WHEEL FOR CASING BOTTOM P124			
34	9161.111	MAGNET FOR FLOAT SUPERAUT.			
35	129913202	SCREW TCB TORX 10 3X8 PLAST.ZN-B			
36	11003533	BLACK DUMP BOX P0049 ASSY.			
37	11003154	BLACK REED SENSOR SUPPORT P0049			
38	11005046	BLACK INSIDE COVER DOOR G0053			
39	11008530	BLACK CLOSING CAP FOR CASING G0053			



Pos	Article-Nr.	Description	Pos	Article-Nr.	Description
1	11025524	SILVER FRONT CASING COVER GPM			
2	129913202	SCREW TCB TORX 10 3X8 PLAST.ZN-B			
3	11025522	SILVER FRONT PANEL S/SCR.GAGGIA GPM			
4	17000728	TRANSPARENT GLASS FOR LED GPM			
5	11021887	BLACK SHORT COFFEE CUP BUTTON GXSM			
6	11021886	BLACK LONG COFFEE CUP BUTTON GXSM			
7	11021889	BLACK.ON/OFF BUTTON GXSM			
8	17000632	BLACK STEAM COFFEE BUTTON GPM			
9	11025084	KEYBOARD LED INTERFACE GPM			
10	17000577	BLACK KEYBOARD SUPPORT GPM			
11	11013889	BLACK CPU BOARD RETAINING INSERT GXSM			
12	11008536	BLACK DRIP TRAY S0053			
13	11025494	SILVER GRATE FOR DRIP TRAY S0053			
14	11025226	CHROM.FRONT COVER COF.DISPENSER GPM GAG			
15	11013085	WHITE COFFEE DISPENSER SLIDER MYB9			
16	11021389	BLACK EXT.MOBILE PART COF.DISPENSER GMYB			
17	11025526	SILVER REAR COVER COFFEE DISPENSER GPM			
18	17000582	BLACK COFFEE DISPENSER TUBE GPM			
19	12000450	SCREW TCB TORX 10 3,5X12 PLAST.ZN-N			
20	11009286	BLACK DRIP TRAY GUIDE G0053 UL			
20	11004741	BLACK DRIP TRAY GUIDE G0053			
21	11000851	16 POLES FLATCABLE DISPLAY P124/C			
22	11009297	TEFLON TUBE 2X4 L=155 MM ASSY.			
23	11006504	BLACK TUBE TEFLON INSERT G0053			
24	140328059	OR 2015 SILICONE PTFE/FDA			
25	9011.144	SS FORK FOR TUBE D=4			
26	17000638	TRANSP.TUBE FOR COFFEE DISPENSER GPM			
27	11023369	WHITE GUIDE LIGHT SUPPORT GXSM			

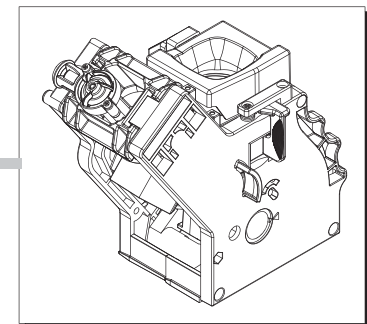
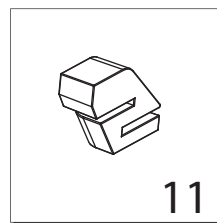
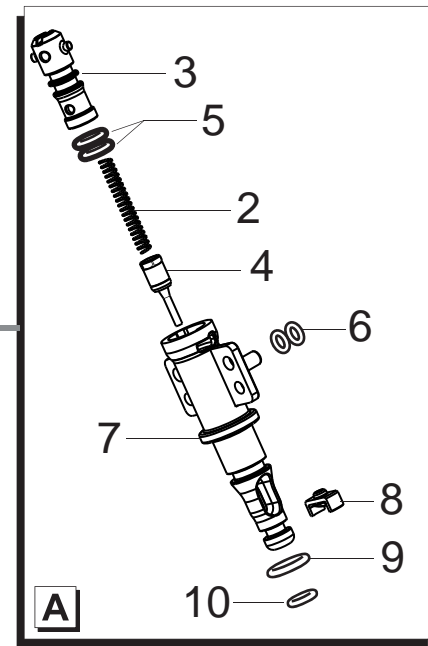
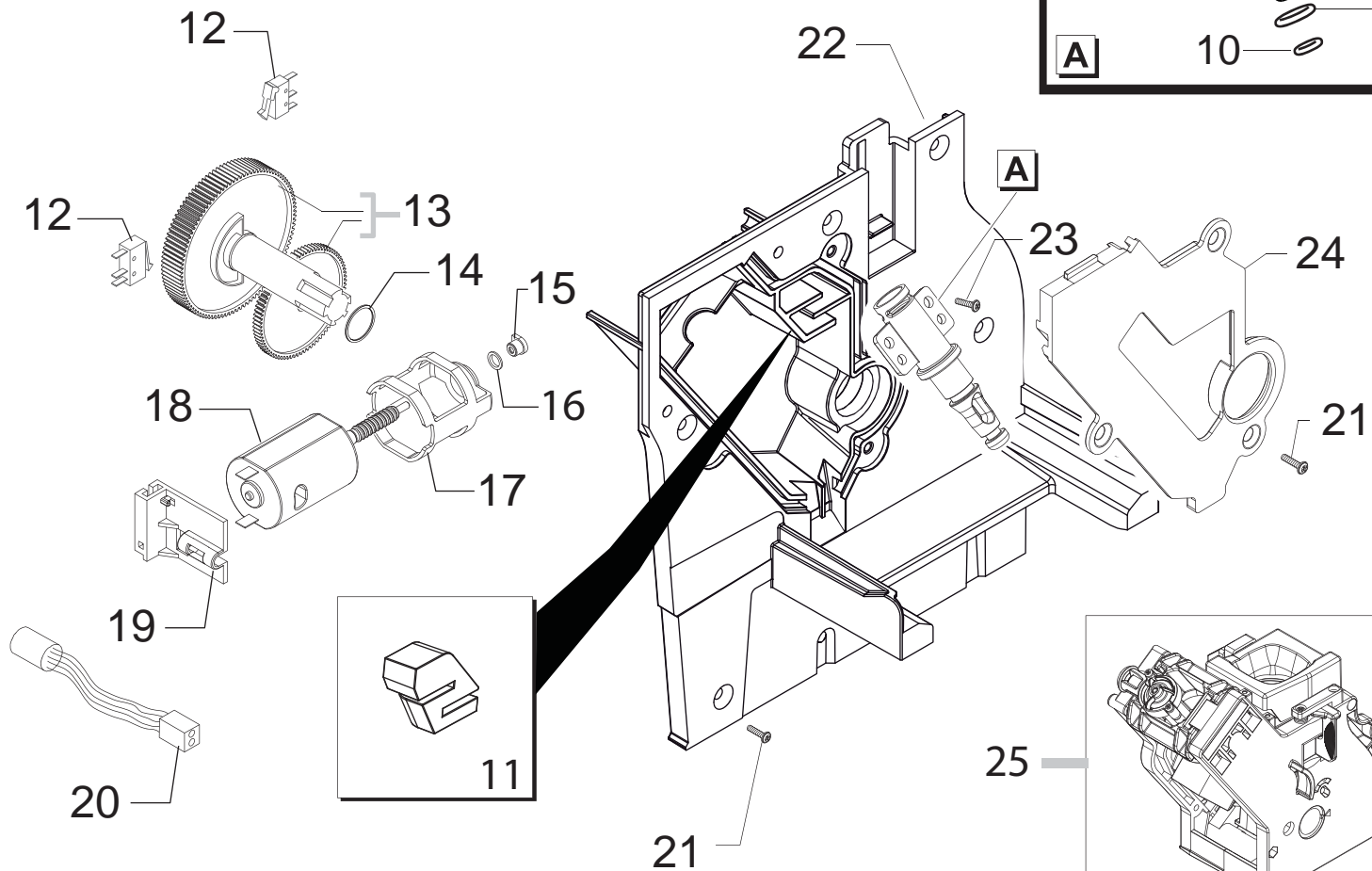
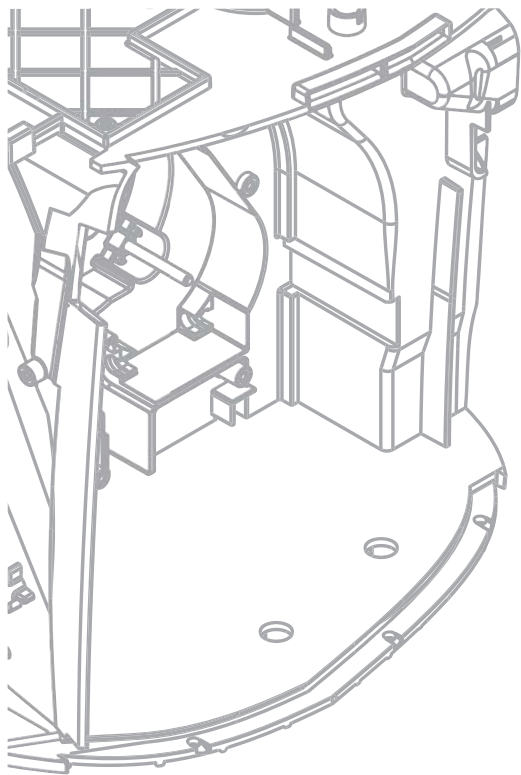


Pos	Article-Nr.	Description	Pos	Article-Nr.	Description
1	11005668	2POLES CONNECTOR PUMP P0049 UL	48	NF11.084	PHOSPH/STEEL FOLK SPRING
2	140321961	O-RING 2031 TERMOIL	49	147921750	BLACK CONNECTOR STEAM TUBE SMART
3	12000140	ULKA PUMP EP5/S GW 230V-50HZ	50	12001615	OR 2025 IN EPDM PEROX.FOOD 70 SH
3	12000142	ULKA PUMP EAP5/S 120V-60HZ	51	11002957	SS.FAUCET FOR SPRING P0049
3	12000182	ULKA PUMP EP5/S GW 220V-60HZ	52	11001824	4P.CONNECTOR SUPPLY BOILER P0049/A
4	11006296	BLACK PUMP SUPPORT P0049 ASSY.	52	11005549	4P.CONNECTOR SUPPLY BOILER P0049/A UL
5	147920150	90° INLET PUMP CONNECTOR	53	U207.003	PLAIN WASHER 3,2X7 UNI 6592 GALV.
6	11003232	AS.CPU+SW WATER LEVEL SENSOR V2	54	17001879	BLK CAPACIT.SENSOR DEADLOCK INSERT P0049
6	11000651	WATER LEVEL SENSOR BOARD P124	55	12000450	SCREW TCB TORX 10 3,5X12 PLAST.ZN-N
7	149360200	SILICONE TUBE 5X8 70SR IN ROLL	100	11025191	TUB.BOILER GPM 230V ASSY.
8	11008906	3 POLES CONNECT.FLOWMETER S0053 UL	100	11025775	TEA/BRASS FAUCET V2 P0049-P0053 ASSY.
9	142853850	BLACK COVER CONNECTOR STEAM TUBE SMART	100	11026620	TUB.BOILER GPM 120V ASSY.
10	11003670	BLACK TURBINE SUPPORT V2 P0049			
11	12000781	TURBINE D=1,2 932-8521/90 ASSY.			
12	JS01.022	SILICONE TUBE 5X10 60SH IN ROLL			
13	12001033	THERMOSTAT ONE SHOT 190°			
14	11001751	TUB.BOILER V3 UPPER THERM.FIXING SPRING			
15	11013735	SLIM TUB.BOILER 1300W 230V ASSY.			
15	11023153	SLIM TUB.BOILER 1300W 120V ASSY.			
16	190800100	TEMPERATURE SENSOR NTC UL L=280MM			
17	16000170	WHITE BRAIDED SILICON TUBE 3X6 IN ROL			
18	11006022	BLACK FAUCET SUPPORT G0053			
19	129913902	SCREW TCB TORX 10 3X12 PLAST.ZN-B			
20	11008806	SS STEAM TUBE S0053 ASSY.			
21	421941300671	BLK/SIL.STEAM TUBE HANDGRIP G0053			
22	11001620	BLACK PANNARELLO INNER TUBE P0049			
23	11001769	BLACK PANNARELLO COVER P0049			
24	11007569	FAUCET ELECTRONIC CARD G0053 ASSY.			
25	11001499	SS FAUCET FORK SPRING P0049			
26	11004625	TEA/BRASS FAUCET CASING P0049			
27	12001614	OR 2012 IN EPDM PEROX.FOOD 70 SH			
28	12001613	O-RING 108 EPDM PEROX.FOOD 70 SH			
29	11025776	PLAST/BRASS FAUCET SHAFT V2 P0049 ASSY.			
30	11001546	BLACK FAUCET STRAIGHT CONNECTOR P0049			
31	11001544	BLACK FAUCET CONNECTOR P0049			
32	11004134	TEA/BRASS FAUCET SHAFT P0049			
33	NF11.052	OETIKER CLIP			
34	16000380	5X8,9 SILICONE TUBE IN ROLL			
35	11001330	BLACK CONNECTOR FOR PIN BOILER P0049			
36	12000892	OETIKER CLAMP D=9,5 16700004			
37	11004689	TEA/BRASS SAFETY VALVE 16-18 BAR ASSY.			
38	11001629	BLK PUMP WATER DESCARGING CONNECT.P0049			
39	11005003	SS DESCARGING WATER CONNECT.SPRING P0049			
40	11008876	BLK BRASS FAUCET BLOCK INSERT P0049/A			
41	17000386	BLK BOILER CONNECTORS COVER P0049/P0053			
42	12001715	SCREW TCB TORX 20 M4X8 AUTOFORMING ZN-B			
43	129932502	SCREW TSP 5X30 PLAST.ZN-B			
44	11001332	BLACK BOILER-FAUCET-VALVE SUPPORT P0049			
45	129913202	SCREW TCB TORX 10 3X8 PLAST.ZN-B			
46	11001630	BLK MILK ISLAND DESCARG.WATER CONN.P0049			
47	11001624	BLACK STEAM TUBE WASHER P0049			

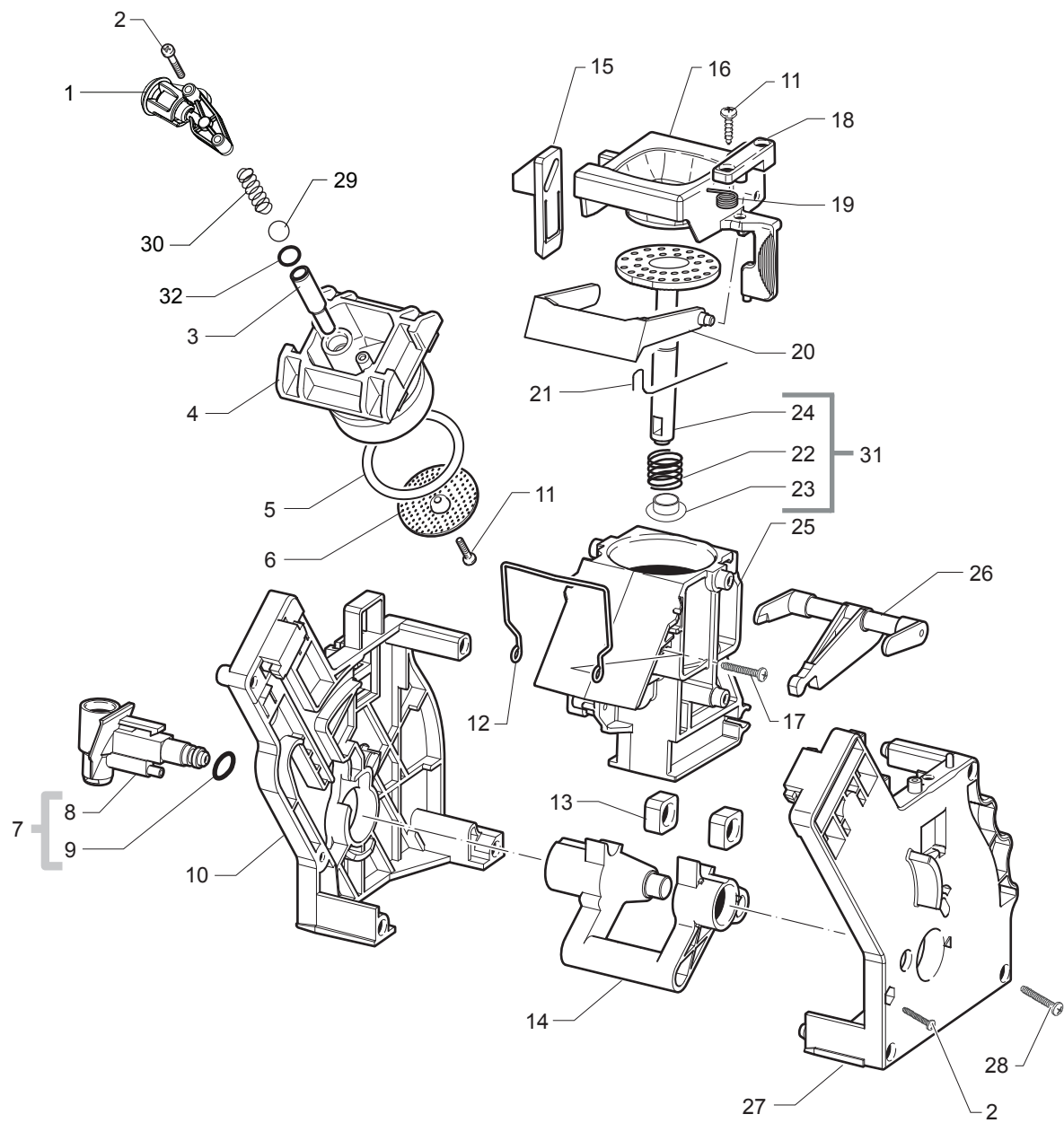


Pos	Article-Nr.	Description
1	11010031	TEA/ZAMA INCREASE SCREW GRINDER
2	421941094152	BLK COF.GRINDER UPPER GRINDER SUPPORT V2
3	140328960	OR ORM 0530-15 NBR FDA
4	146520100	BAKED CLAY GRINDER 48X28
5	17000818	COFFEE GRINDER SOUNDPROOFING COVER GPM
6	129574802	SCREW TCB TORX 20 M4X30 ZN-B
7	123030300	AXIAL BEARING EKKO 342.35252
8	140360500	FELT RING 45,4X39,4X4
9	11026355	BLK GROUND COFF.OUTLET CONVEYOR V4 ASSY.
10	11030459	GRY GROUND COFFEE CONT.LOWER SEAL SMART1
11	226000300	GEAR SX Z=38 FOR GRINDER MOTION ASSY.
12	11000511	MOTOR COFFEEGRINDER V3.1 120V ASSY.
12	11000513	MOTOR COFFEEGRINDER V3.1 230V ASSY.
13	149214800	MC V3 MOD=1,25 WORM SCREW CENTRING CAP
14	129661702	SCREW TCB TORX 3,5X30 PLAST.ZN-B
15	11002873	INSULATOR BUSH FOR GRINDER MOTOR P124
16	11000597	STEEL COF.GRINDER SUPPORT SPRING P124
17	129914002	SCREW TCB TORX 10 3,5X16 PLAST.ZN-B
18	11002508	UPPER COFFEEGRINDER GEAR SUPPORT P124
19	11003446	BLACK BEAN COFFEE GRINDER INSERT P0049
20	11003784	COFFEE GRINDING ADJUSTMENT GEAR P0049
21	11002572	COFFEEGRINDER REGULATION SPRING P124
22	11002613	LOWER COFFEEGRINDER GEAR SUPPORT P124
23	142905450	BLK UPPER BODY WITH COFFEE GROUND OUTLET
24	128381800	STEEL CRINKLE WASHER 21,8X14X0,25
25	123030200	RADIAL BEARING 61900.2RS1
26	181540900	ELECTR.BOARD WITH SENSOR HAL506 SF-K
27	11001367	BLACK COFFEE GRINDER SUPPORT P0049
28	149199050	BLK SENSOR SUPPORT FOR COF.GRINDER MOTOR
29	128381902	STEEL FLAT WASHER DI=4,3 DE=14 SP=1,5
30	11008869	2P.CONNECT.COFFEE GRINDER MOTOR S0053
31	11008871	3 POLES CONNECTOR MC SENSOR S0053 UL
32	128310402	GALV.WASHER UNI 8842 A4
33	149198350	BLK LOWER COFFEEGRINDER GRINDER SUPPORT
34	145857062	COFFEE GRINDER SEAL P119
35	17001921	BLK WIRING FIX INSERT FOR GRINDER BOARD
100	11026686	GEN.MOTOR COF.GRINDER V3 S0053 120V ASSY
100	11013435	GEN.MOTOR COF.GRINDER V3 S0053 230V ASSY

Pos	Article-Nr.	Description
-----	-------------	-------------



Pos	Article-Nr.	Description	Pos	Article-Nr.	Description
1	11005060	PIN V2 FOR BOILER P119 ASSY.			
2	9011.132	SS SPRING FOR PIN			
3	11003820	BLACK CAP V2 FOR PIN BOILER P119			
4	11009019	TEA/BRASS PISTON L=20,9 ASSY.			
5	140324459	OR ORM 0060-20 SILICONE PTFE/FDA			
6	140328059	OR 2015 SILICONE PTFE/FDA			
7	11003801	NAT.PIN V2 FOR BOILER P119			
8	11005099	NATURAL CURSOR V2 FOR BOILER P119			
9	NM01.035	OR ORM 0090-20 SILICONE			
10	NM01.057	OR ORM 0050-20 IN SILICONE			
11	11022216	BLACK MOUNTING PLATE COVER PROTECT.P0049			
12	11008868	MICRO.RATIOMOTOR S0053 UL ASSY.			
13	20000900	SPARES KIT GEARS FOR RATIOMOTOR V2			
14	9161.132	MYLAR WASHER FOR RATIOMOTOR			
15	9121.046	BRONZE SINTERED BUSH FOR MOTOR RATIOMOT.			
16	148380200	BAKELIZZATE WASHER D=5,5			
17	9121.044	ANTIVIBRATION FOR MOTOR			
18	11005214	MOTOR FOR RATIOMOTOR P124 ASSY.			
19	11001331	BLACK DUMP BOX MICROSWITCH SUPPORT P0049			
21	129914102	SCREW TSP TORX 10 3,5X12 PLAST.ZN-B			
22	11009287	BLACK COVER MOUNTING PLATE P0049 UL ASSY			
22	11006337	BLACK COVER MOUNTING PLATE P0049 ASSY.			
23	129914002	SCREW TCB TORX 10 3,5X16 PLAST.ZN-B			
24	11009284	BLACK COVER FOR BOILER VAIN P0049 UL			
24	11001312	BLACK COVER FOR BOILER VAIN P0049			
25	11009266	BLACK BREW UNIT 8GR.8BAR S0053			



Pos	Article-Nr.	Description	Pos	Article-Nr.	Description
1	11009362	BLK COF.OUTLET SLEEVE BREW UNIT S0053 AS			
2	12000550	SCREW TCB TORX 10 3X25 PLAST.SS			
3	11009276	BLK COUNTER PISTON TUBE BREW UNIT S0053			
4	11001840	BLACK COUNTER PISTON BREW UNIT 8GR.P124			
5	NM01.044	OR ORM 0320-40 SILICONE PTFE/FDA			
6	9161.268	PERCOLATOR DE=35,8 ELFO			
7	20000440	BLACK WATER INLET SLEEVE BREW UNIT ASSY.			
8	9161.064.050	BLACK WATER INLET SLEEVE BREW UNIT ROYAL			
9	NM02.007	OR 2025 IN TERMOIL			
10	9161.375.050	BLACK BREW UNIT REAR PLATE SMART			
11	12000895	SCREW TSP TORX 10 3X10 PLAST.SS			
12	11001556	SS BREW UNIT SPRING H=49 SMART			
13	9161.094.150	GREY BREW UNIT DRILLED BLOCK			
14	9161.066.050	BLACK BREW UNIT ELBOW SHAFT M5000			
15	9161.373.050	BLACK BREW UNIT COUPLING PLATE SMART			
16	149261350	BLACK HOPPER DOSER BREW UNIT SMART1			
17	129912521	SCREW TCBR TORX 10 3,5X14 PLAST.SS			
18	9161.374.050	BLK BREWUNIT HOPPER BLOCKING PLATE SMART			
19	9161.378	SS HOPPER SPRING FOR BREW UNIT SMART			
20	11004161	BLACK SCRAPER FOR BREW UNIT M5000			
21	9161.046	SS SCRAPER SPRING FOR BREW UNIT			
22	9161.198	SS.8GR.BREW UNIT PISTON SPRING			
23	9161.191	WHITE 8GR.-12GR.BREW UNIT PISTON BUSH			
24	11003077	BLK BREW UNIT INTEGRAL PISTON 8GR.ASSY.			
25	11003075	BLACK COFFEE CONTAINER BREW UNIT P124			
26	11003078	BLACK CONNECTING ROD BREW UNIT 8GR.			
27	11005920	BLACK BREW UNIT FRONT PLATE S/SCR.SMART			
28	12000897	SCREW TCB TORX 10 3,5X20 PLAST.SS			
29	9991.168	GLASS SPHERE D.5 MM			
30	9161.222	SS.CONICAL SPRING			
31	11023086	BLK 8GR.BREW UNIT NTEGR.PISTON GEN.ASSY.			
32	140328761	OR ORM 0060-15 TERMOIL			
100	11009266	BLACK BREW UNIT 8GR.8BAR S0053			