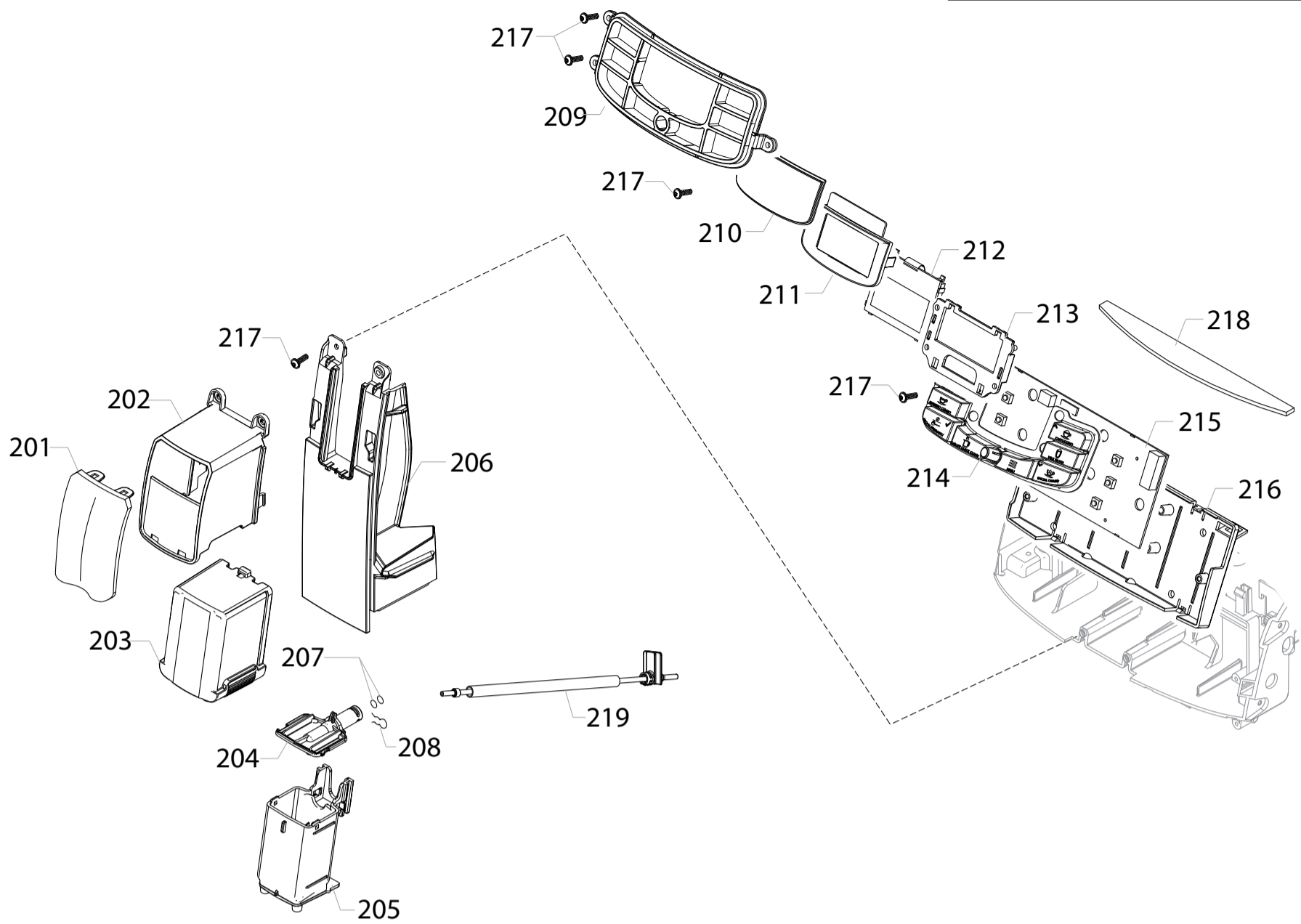


GAGGIA® R8263/01-47

CE Cod.886826301010-886826347540

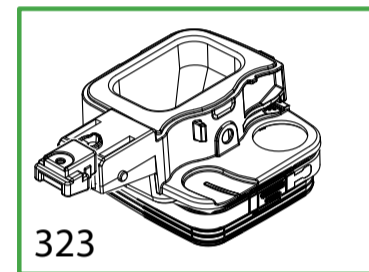
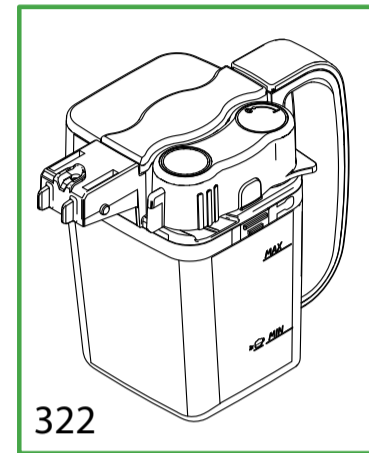
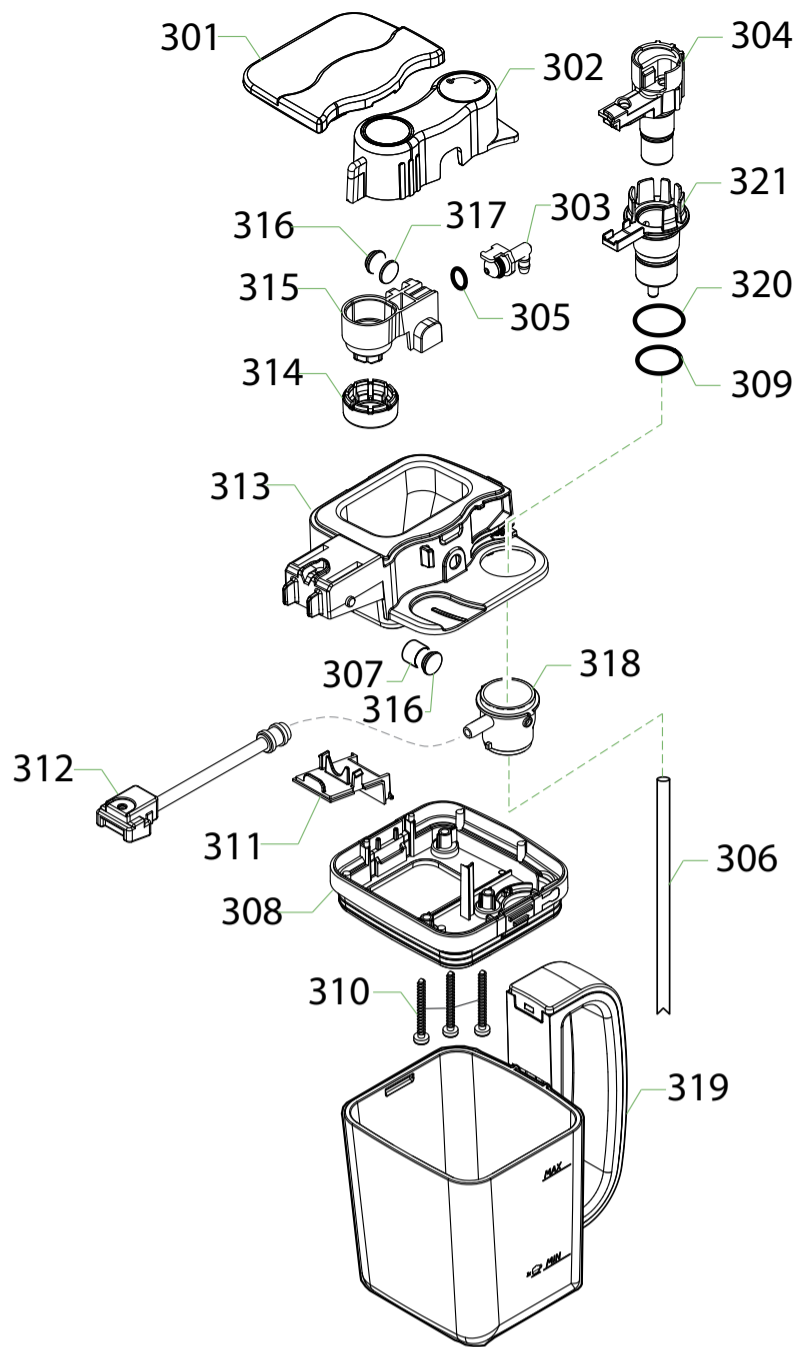
POS	12NC	DESCRIPTION	NOTE	POS	12NC	DESCRIPTION	NOTE
101	421946017941	KLUBERLUB NH1 11-222 TUBE 5GR.		137	421941308481	CPU+SW NPR/T V2 USA ASSY.	120V
102	996530011867	BRUSH FOR CLEANING		138	421944063711	BLK PWR/CPU BOARD PROTECTION NP5	
103	996530025808	BLK POWER CABLE SCHUKO L=1200			421944050551	GRY PWR/CPU BOARD PROTECTION V2 P0057/UL	USA
	996530025843	BLK POWER CABLE SJT3 USA UL L=1200		139	421944022751	BLK HINGE FOR REAR CASING XSM.	
104	421944033301	BLK ABS COFFEE MEASURE SMART		140	421944022731	BLK HINGE FOR DOOR RIGHT SIDE XSM	
105	421944053591	BA/SS UPPER CASING COVER INS.V2 NPR/H-T		141	421946037101	DISPL.BOX NP5/T GAG VELASCA	
106	996530039604	STICKER FOR WATER HARDNESS TEST		142	421944058831	BLK COF.GRINDER SOUNDPROOFING COV.V3 NPR	
107	421944057611	T/GRY BEAN C.CON.LID W/SEAL S/SC.NP5/H-T		143	996530007819	SCREW TCBR TORX 10 3,5X12 PLAST.ZN-N	
	421944063391	NAT/GRY BEAN COFF.CONT.LID V2 NPR/H-T AS	R8263/47	144	421944016761	SCREW TCBR TORX 10 3,5X12 PLAST.ZN-NI	
108	421944040481	TRANSP/GRY GROUND COF.HOPPER LID SMRA		145	996530067437	BLK CAPACIT.SENSOR DEADLOCK INSERT XSM	
109	421944053291	TRANSP/GRY BEAN COFFEE CONTAINER NPR		146	996530069857	STEEL PLATE FOR DOOR MAGNET XSM	
110	421944054461	BA/SS-BLK UPPER CASING COVER NP5/H ASSY		147	996530050555	MAGNET FOR FLOAT SUPERAUT.	
111	421944074061	SS FRONT PANEL S/SCR.GAG VELASCA ASSY		148	996530013156	SCREW TCB TORX 10 3X8 PLAST.ZN-B	
112	996530069844	TRANSP.COVER INFRAREDS ACCESS NPR/T		149	421946032321	MICROSWITCH XG/V3D/VA2	
113	996530068729	BLACK LEFT SIDE CASING NPR		150	996530068711	KIT PS-E INSERT FOR BOX NPR/H-P	
114	996530071883	BLK COFFEE GRINDER SUPP.PLATE V2 NPR/T		151	996530072693	BLACK DRIP TRAY LOCKING INSERT V2 NPR/T	
115	421941282512	BLK CASING BOTTOM INSERT V2 NPR		152	996530062034	PLAIN WASHER 4,3X16 UNI 6592 GAL	
116	996530068723	BLACK DRIP TRAY GUIDE NPR		153	996530000487	HOT WATER TUBE SPRING P124	
117	421324705256	TRANSPARENT SILICONE FOOT		154	421941308921	KIT SPARES BLK DRIP TRAY V3 NPR/T	
118	421941250042	SS DUMP BOX V2 NPR/TM ASSY		155	421941310501	KIT SP.WATER GEN.CONT.NAT/GRY GAG NPR/T	
119	421944013031	BLK DRIP TRAY V3 NPR/T ASSY.			421941310031	KIT SP.WATER GEN.CONT.NAT/GRY NPR	R8263/47
120	421941304791	RED/3003 FLOAT FOR DRIP TRAY XSM		156	996530073867	2P.CONN.SENSOR REED DOOR V2 MYB9 UL ASSY	R8260/47
121	421944054531	SA/SS GRATE FOR DRIP TRAY NP5/T 22					
122	421944040061	BLK LID FOR WATER CONT.VALVE V2 P0049					
123	421944040781	BLK GASKET FOR WATER CONT.VALVE V2 P0049					
124	421944040071	BLK WATER CONT.VALVE INSERT V2 P0049					
125	996530001831	SS SPRING FOR WATER CONTAIN.VALVE P0049					
126	996530013571	OR ORM 0190-10 EPDM					
127	996530029115	WHITE WATER CONTAINER EXT.FILTER ASSY.					
128	421944056301	NAT/GRY WATER CONTAINER V2 NPR ASSY	R8263/47				
	421944053072	NAT/GRY WATER CONT.LONGFILT V2 NPR ASSY					
129	421941249752	SS WATER TANK FRONT COVER V2 NPR/HM ASS					
130	421944040591	M/BLK RIGHT SIDE DOOR V4 NPR					
131	421941306721	CPU+SW WATER LEVEL SENSOR V3 ASSY.					
132	421946000081	3P.CONN.WATER LEVEL V2 CLP UL ASSY.					
133	996530068749	BLK CAPACIT.SENSOR LOCKING INSERT NPR					
134	996530072437	CUP SOCKET V3 EN 60320 C 13					
135	996530068714	BLACK REAR CASING NPR					
136	996530068728	BLACK REAR CASING PROGRAM.INSERT NPR					
137	421941308171	CPR+SW NPR V2/T ASSY.	230V				



GAGGIA® RI8263/01-47

CE Cod.886826301010-886826347540

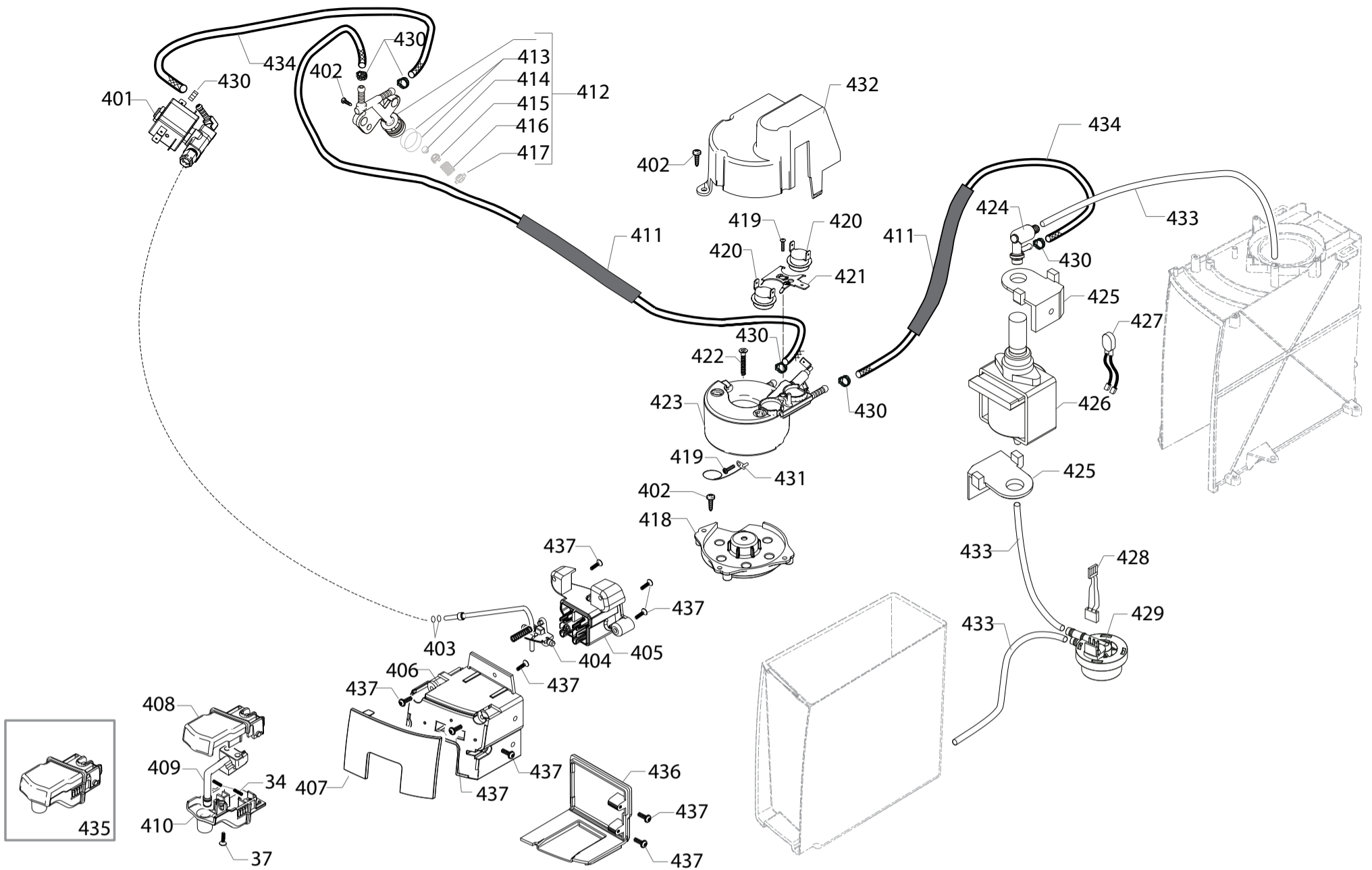
POS	12NC	DESCRIPTION	NOTE	POS	12NC	DESCRIPTION	NOTE
201	996530070369	SS COF.DISPENS.FRONT PLATE NPR/HT-TM ASS					
202	421944049371	G/ANM COFFEE DISPENSER LID NPR					
203	996530068698	BLACK COFFEE DISPENSER MOBILE PART NPR					
204	996530068742	BLACK COFFEE DISPENSER BODY LID NPR					
205	996530071881	BLACK COFFEE DISPENSER BODY V2 NPR					
206	996530070368	SS FRONT CASING COVER NPR/HM ASSY.					
207	996530013564	OR 2015 SILICONE PTFE/FDA					
208	996530048885	SS FORK FOR TUBE D=4					
209	996530072811	CHROM.TOUCH PANEL FRAME NPR/E					
210	996530068675	TRANSP.GLASS FOR DISPLAY NPR					
211	996530068673	BLACK DISPLAY FRAME NPR					
212	421941307861	DISPLAY HIGO FL					
213	996530068682	BLACK DISPLAY SUPPORT NPR					
214	421944053941	SIL 9BUTTONS TOUCH PANEL S/SCR.NPR/T					
215	421941308161	KEYBOARD NPR V2/T					
	421941308201	KEYB NPR/H 120V USA	RI8263/47				
216	996530071879	BLACK DISPLAY KEYBOARD SUPPORT V2 NPR					
217	996530007819	SCREW TCBR TORX 10 3,5X12 PLAST.ZN-N					
218	996530069814	BLACK ADHESIVE AERSTOP NPR					
219	996530073357	TEFL.TUBE 2X4 L=235+PLATE+2BUSH NPR ASSY					



GAGGIA® R18263/01-47

CE Cod.886826301010-886826347540

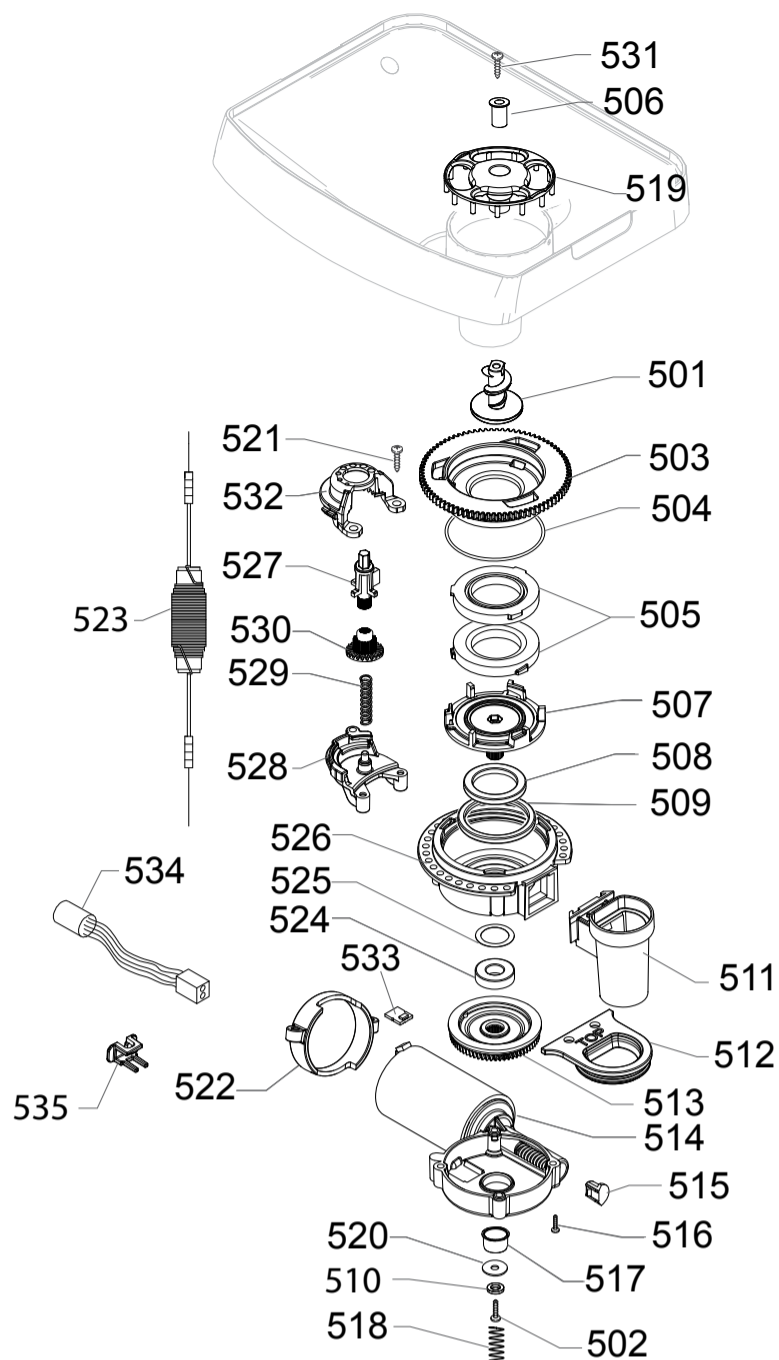
POS	12NC	DESCRIPTION	NOTE	POS	12NC	DESCRIPTION	NOTE
301	996530072681	SS/BLK CARAFE COVER PLUG NPR/T ASSY.					
302	421944054231	MATT/BLK CARAFE CAPPUC.COVER V6 NPR/T					
303	996530069788	CARAFE STEAM OUTPUT CONNECT.NPR/T ASSY.					
304	421941262132	BLACK CARAFE CAPPUC.PIN V3 NPR/T ASSY					
305	996530059392	O-RING 106 SILICONE					
306	996530069794	SILICONE TUBE 3,5X6 L= 75 MM					
307	996530050555	MAGNET FOR FLOAT SUPERAUT.					
308	996530072645	MATT/BLACK LOWER COVER PART CARAFE NPR/T					
309	996530072691	OR ORM 0170-15 EPDM					
310	996530013165	SCREW TCB TORX 10 3,5X16 PLAST.ZN-B					
311	421944001291	BLK CARAFE REAR COVER INSERT V2 NPR/T					
312	996530069827	BLACK CARAFE MILK DISPENSER TUBE NPR/T					
313	996530072649	MATT/BLACK UPPER COVER PART CARAFE NPR/T					
314	996530069837	BLK CARAFE CAPPUC.MILK OUTPUT CONN.NPR/T					
315	996530069847	BLACK CARAFE CAPPUC.CASING NPR/T					
316	996530006968	SS.INSERT FOR MAGNET MYB9					
317	996530051816	MAGNET D=9,5 X H=1,5					
318	996530071934	BLACK CARAFE COVER BUSH V2 NPR/T					
319	996530072685	SPARES KIT SS/BLK CARAFE HANDLE V2 NPR/T					
320	996530072674	OR ORM 0190-20 EPDM					
321	421941287432	BLACK CAPPUC.PIN SUPPORT V3 NPR/T					
322	421944054802	TRANSP-M/BLK GEN.CARAFE V2 NP5/T ASSY					
323	421941308931	KIT SPARES M/BLK UPP.COV.CAR.NPR/T					



GAGGIA® R18263/01-47

CE Cod.886826301010-886826347540

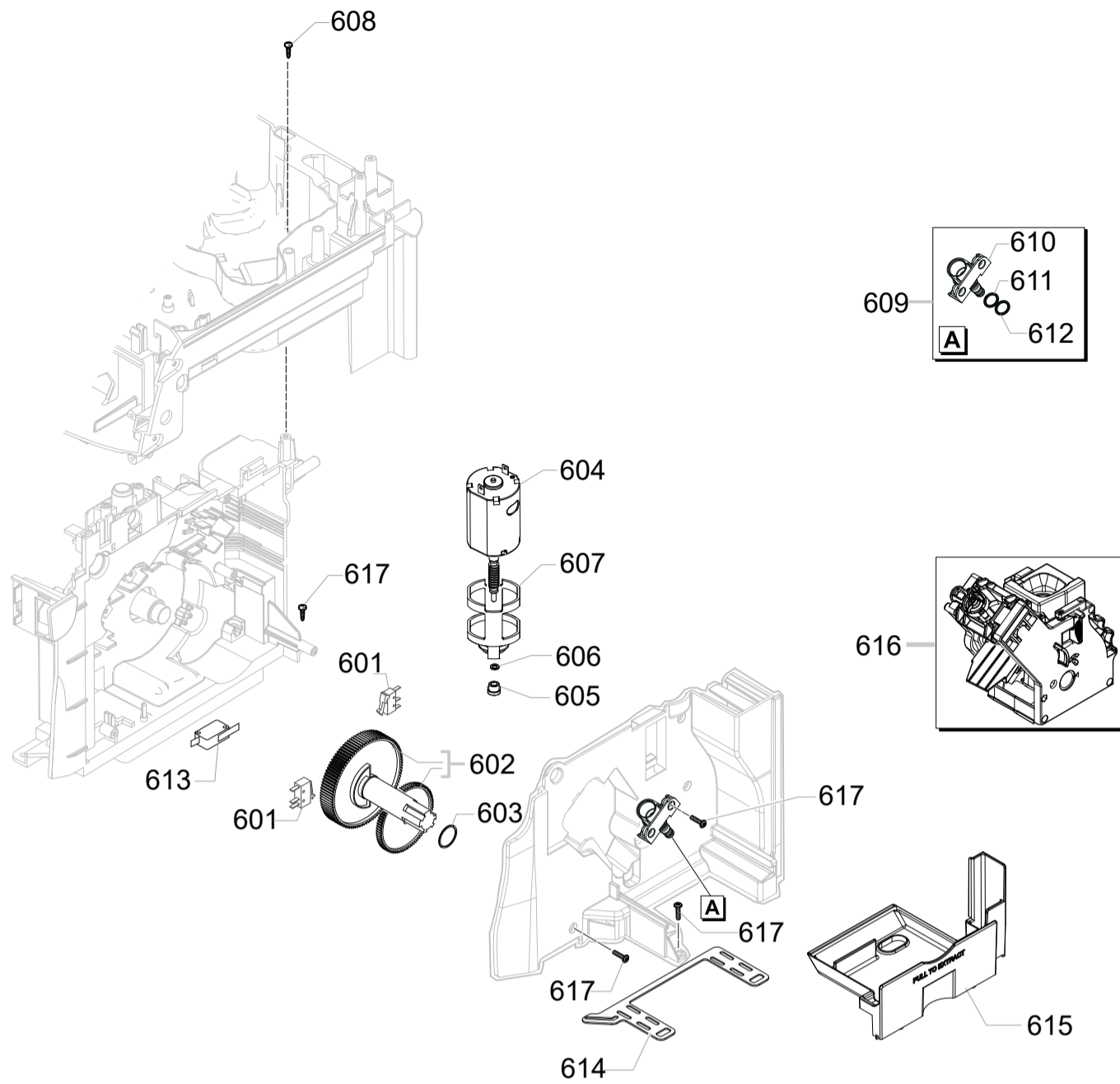
POS	12NC	DESCRIPTION	NOTE	POS	12NC	DESCRIPTION	NOTE
401	421944007421	SOLENOID VALVES V2 NPR/T 24V ASSY.		436	996530069799	BLK CARAFE INSERT BODY REAR COVER NPR/T	
402	996530007819	SCREW TCB TORX 10 3,5X12 PLAST.ZN-N		437	996530013164	SCREW TCB TORX 10 3X12 PLAST.ZN-B	
403	996530013564	OR 2015 SILICONE PTFE/FDA					
404	421944009021	WHT PREFORM.TEFLON TUBE SUPP.V2 NPR ASSY			421944056011	GEN.TUB.BOILER NP5 1900W 230V ASSY	COMPLETE
405	996530069855	BLACK CARAFE GRAFT BODY INSERT NPR/T			421944046141	GEN.TUB.BOILER XS4 1300W 120V ASSY.	COMPLETE
406	996530069804	BLACK CARAFE INSERT BODY NPR/T					
407	421941250052	SS CARAFE INS.BODY FRONT COVER NPR/TM AS					
408	996530072648	M/BLK UPPER BODY HOT WATER DISP.NPR/T					
409	996530069842	BLACK HOT WATER DISPENSER TUBE NPR/T					
410	996530069867	BLK LOWER BODY HOT WATER DISPENS.NPR/T					
411	996530009523	TRANSPAR.10,5X12,3 SILICONE TUBE	IN ROLL				
412	996530068077	FLOW SELECTOR FAUCET NPR					
413	NOT AVAILABLE	SEE POS.12					
414	NOT AVAILABLE	SEE POS.12					
415	NOT AVAILABLE	SEE POS.12					
416	NOT AVAILABLE	SEE POS.12					
417	NOT AVAILABLE	SEE POS.12					
418	421941215942	BLK SLIM/EXSL TUB.BOILER SUPPORT V2					
419	996530069758	SCREW TCB TORX 20 M4X8 AUTOFORMING ZN-B					
420	996530007973	THERMOSTAT ONE SHOT 190°					
421	996530000997	TUB.BOILER V3 UPPER THERM.FIXING SPRING					
422	996530008024	SCREW TSP TORX 10 5X20 PLAST.ZN-B					
423	421944028841	TUB.BOILER XS4 ASSY.	230V-1900W				
	421944046121	TUB.BOILER XS4 ASSY.	120V-1300W				
424	996530068178	L-F/BR.SAFETY VALVE 16-18 BAR ASSY.					
425	996530018056	BLACK TYPE ULKA PUMP W/BEVEL SUPPORT					
426	421941305991	ULKA PUMP EP5FMGW	230V-50HZ				
	996530007754	ULKA PUMP EAP5/S	120V-60HZ				
427	421946000131	2P.CONN.PUMP V2 CLP UL ASSY.					
428	421946000141	3P.CONN.FLOWMETER V2 CLP UL ASSY.					
429	996530059843	TURBINE D=1,2 932-8521/00 ASSY.					
430	996530007947	OETIKER CLAMP D=9,5 16700004					
431	996530026997	TEMPERATURE SENSOR NTC UL L=280MM					
432	421941284802	GRY BOILER INSULATING COVER NPR					
433	996530057357	SILICONE TUBE 5X10 60SH	IN ROLL				
434	996530002873	MILK CONTAINER SUPPORT SPRING P124					
435	996530072651	M/BLK HOT WATER DISPENSER NPR/T ASSY.					



GAGGIA® RI8263/01-47

CE Cod.886826301010-886826347540

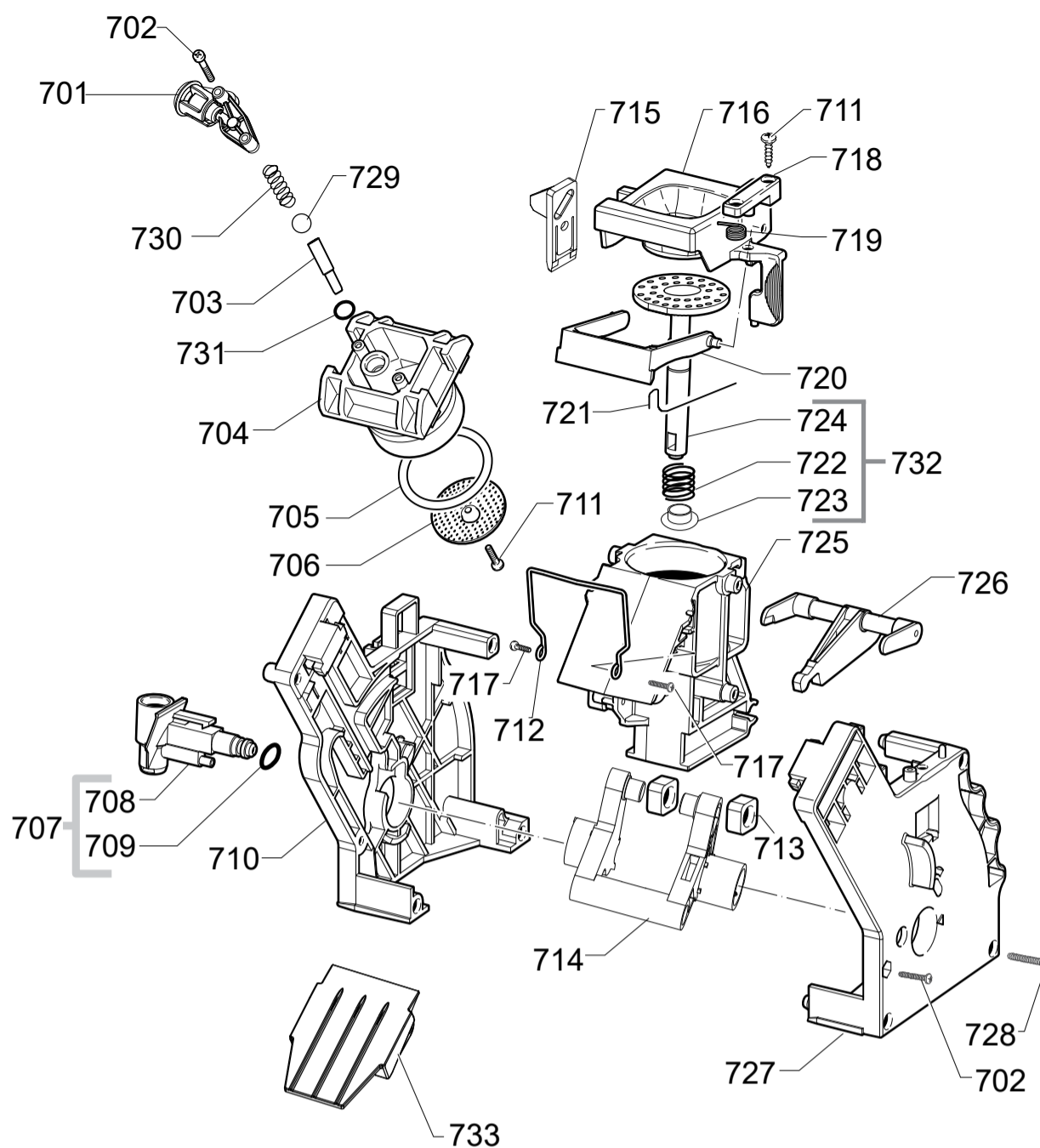
POS	12NC	DESCRIPTION	NOTE	POS	12NC	DESCRIPTION	NOTE
501	996530005586	TEA/ZAMA INCREASE SCREW GRINDER			421944054091	GEN.MOTOR COF.GRINDER NP5 ASSY.	230V
502	996530012928	SCREW TCB TORX 20 M4X30 ZN-B			996530071878	GEN.MOTOR COF.GRINDER NPR ASSY.	120V
503	421941094152	BLK COF.GRINDER UPPER GRINDER SUPPORT V2					
504	996530013577	OR ORM 0530-15 NBR FDA					
505	996530016342	BAKED CLAY GRINDER 48X28					
506	996530006412	BRASS BUSH BEAN CONT.FINGER PROTEC.P0057	230V				
507	996530017952	BLK LOWER COFFEEGRINDER GRINDER SUPPORT					
508	996530011183	AXIAL BEARING EKKO 342.35252					
509	996530013597	FELT RING 45,4X39,4X4					
510	996530012341	GALV.WASHER UNI 8842 A4					
511	996530068049	BLK GROUND COFF.OUTLET CONVEYOR V4 ASSY.					
512	421944060561	GRY GROUND COF.CONT.LOWER SEAL V2 SMART1					
513	996530029609	GEAR SX Z=38 FOR GRINDER MOTION ASSY.					
514	421944049151	MOTOR COFFEEGRINDER V3.2 ASSY.	230V				
	421941305001	MOTOR COFFEEGRINDER V3.1 ASSY.	120V				
515	996530018139	MC V3 MOD=1,25 WORM SCREW CENTRING CAP					
516	996530012992	SCREW TCB TORX 3,5X30 PLAST.ZN-B					
517	996530001389	INSULATOR BUSH FOR GRINDER MOTOR P124					
518	996530000376	COFFEE GRINDER SUPPORT SPRING P124					
519	996530007058	BLK V2 BEAN CONTAIN.FINGER PROTECT.P0057	230V				
520	996530012375	STEEL FLAT WASHER DI=4,3 DE=14 SP=1,5					
521	421944016761	SCREW TCB TORX 10 3,5X12 PLAST.ZN-NI					
522	996530000115	BLACK COFFEEGRINDER MOTOR SUPPORT P124					
523	421946031681	2P.CONN.COF.GRINDER MOTOR NP5 UL ASSY	230V				
	421946000121	2P.CONN.COF.GRINDER MOTOR V2 NPR UL ASSY	120V				
524	996530011182	RADIAL BEARING 61900.2RS1					
525	996530012374	STEEL CRINKLE WASHER 21,8X14X0,25					
526	996530015258	BLK UPPER BODY WITH COFFEE GROUND OUTLET					
527	421944025161	YLW BEAN COFFEE GRINDER INSERT SMR					
528	996530001314	LOWER COFFEEGRINDER GEAR SUPPORT P124					
529	996530001308	COFFEEGRINDER REGULATION SPRING P124					
530	996530001907	COFFEE GRINDING ADJUSTMENT GEAR P0049					
531	996530061808	ZN-B TCB SCREW M4X16					
532	996530001296	UPPER COFFEEGRINDER GEAR SUPPORT P124					
533	996530022784	ELECTR.BOARD WITH SENSOR HAL506 SF-K	120V				
534	421946000091	3P.CONN.MC SENSOR V2 NPR UL ASSY.	120V				
535	996530072477	BLK WIRING FIX INSERT FOR GRINDER BOARD	120V				



GAGGIA® RI8263/01-47

CE Cod.886826301010-886826347540

POS	12NC	DESCRIPTION	NOTE	POS	12NC	DESCRIPTION	NOTE
601	421946025541	MICROSWITCH XC/SM1 V2					
602	996530009913	SPARES KIT GEARS FOR RATIOMOTOR V2					
603	996530050569	MYLAR WASHER FOR RATIOMOTOR					
604	996530002796	MOTOR FOR RATIOMOTOR P124 ASSY.					
605	996530049898	BRONZE SINTERED BUSH FOR MOTOR RATIOMOT.					
606	996530017424	BAKELIZZATE WASHER D=5,5					
607	996530049896	ANTIVIBRATION FOR MOTOR					
608	996530007819	SCREW TCBR TORX 10 3,5X12 PLAST.ZN-N					
609	421944060181	PIN FOR FLOW SEL.FAUCET V2 PPS P0057 AS					
610	421944059371	PIN FOR FLOW SELECT.FAUCET PPS V2 P0057					
611	996530059399	OR ORM 0090-20 SILICONE					
612	996530059419	OR ORM 0050-20 IN SILICONE					
613	421946032321	MICROSWITCH XG/V3D/VA2					
614	996530072515	BLACK SEAL FOR RATIOMOTOR PLATE NPR					
615	996530068732	GREY BREW UNIT DRAWER COFFEE NPR					
616	421944053951	BLK BREW UNIT 8GR.5BAR V4 HGO					
617	421944016761	SCREW TCBR TORX 10 3,5X12 PLAST.ZN-NI					



GAGGIA® R18263/01-47

CE Cod.886826301010-886826347540

POS	12NC	DESCRIPTION	NOTE	POS	12NC	DESCRIPTION	NOTE
701	421944065221	BLK BREW UNIT COF.OUTLET SLEEVE SMR ASSY					
702	996530007838	SCREW TCB TORX 10 3X25 PLAST.SS					
703	996530005372	BLK COUNTER PISTON TUBE BREW UNIT S0053					
704	996530001046	BLACK COUNTER PISTON BREW UNIT 8GR.P124					
705	996530059406	OR ORM 0320-40 SILICONE PTFE/FDA					
706	996530050709	PERCOLATOR DE=35,8 ELFO					
707	996530009825	BLACK WATER INLET SLEEVE BREW UNIT ASSY.					
708	996530050488	BLACK WATER INLET SLEEVE BREW UNIT ROYAL					
709	996530059441	OR 2025 IN TERMOIL					
710	996530050832	BLACK BREW UNIT REAR PLATE SMART					
711	996530007951	SCREW TSP TORX 10 3X10 PLAST.SS					
712	996530000898	SS BREW UNIT SPRING H=49 SMART					
713	996530050539	BLACK BREW UNIT DRILLED BLOCK					
714	421944051231	YLW BREW UNIT ELBOW SHAFT M5000					
715	421944046931	YLW BREW UNIT COUPLING PLATE V2 SMART					
716	996530018241	BLACK HOPPER DOSER BREW UNIT SMART1					
717	996530013148	SCREW TCBR TORX 10 3,5X14 PLAST.SS					
718	421944050711	YLW BREWUNIT HOPPER BLOCKING PLATE SMART					
719	996530050838	SS HOPPER SPRING FOR BREW UNIT SMART					
720	996530002096	BLACK SCRAPER FOR BREW UNIT M5000					
721	996530050455	SS SCRAPER SPRING FOR BREW UNIT					
722	996530050627	SS.8GR.BREW UNIT PISTON SPRING					
723	996530050618	WHITE 8GR.-12GR.BREW UNIT PISTON BUSH					
724	421944025621	BLK BREW UNIT INTEGR.PISTON 8GR.V3 ASSY.					
725	421944014611	BLK COF.CONTAIN.BREW UNIT V2 M5000 ASSY.					
726	996530001452	BLACK CONNECTING ROD BREW UNIT 8GR.					
727	996530003228	BLACK BREW UNIT FRONT PLATE S/SCR.SMART					
728	996530007953	SCREW TCB TORX 10 3,5X20 PLAST.SS					
729	421944034451	BOROSILICATE SPHERE D.5 MM					
730	996530006305	SS COFFEE UNIT CONTERPISTON SPRING S0053					
731	996530013575	OR ORM 0060-15 TERMOIL					
732	421944029791	BLK BREW UNIT 8GR.INT.PISTON GEN.V3 ASSY					
733	996530073322	BLK BREW UNIT CONVEYOR SLIDE L=76,8					
	421944053951	BLK BREW UNIT 8GR.5BAR V4 HGO					