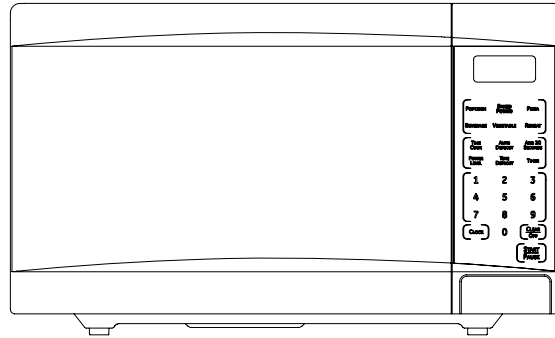


Microwave Oven Owner's Manual



MODEL: D10043APH-YM

1. READ these instructions carefully before installing and operating the oven. Keep them for further reference.
2. Record in the space below the "SERIAL NO." found on the nameplate on your oven and retain this information for future reference.

SERIAL NO.:

Please save sales receipt for warranty.

This equipment generates, uses and can radiate radio frequency energy and, if not installed and used in accordance with the instructions, may cause harmful interference to radio communications. However, there is no guarantee that interference will not occur in a particular installation. If this equipment does cause harmful interference to radio or television reception, which can be determined by turning the equipment off and on, the user is encouraged to try to correct the interference by one or more of the following measures:

- Reorient or relocate the receiving antenna.
- Increase the separation between the equipment and receiver.
- Connect the equipment into an outlet on a circuit different from that to which the receiver is connected.
- Consult the dealer or an experienced radio/TV technician for help

					说明书 GED430YMB-PAHCOA (D10043APH-YM)				JS1M0609-19412-004	
标记	处数	更改单号	签字	日期						
设计	陈琴	标准化	谭银珠	图样标记	数量	重量	比例	广东格兰仕微波炉电器制造有限公司		
校对		审定	李志刚	S	A		1:1			
审核	王少云									
工艺		日期	2012-06-21	共 18 页		第 1 页				

PRECAUTIONS TO AVOID POSSIBLE EXPOSURE TO EXCESSIVE MICROWAVE ENERGY

- (a) Do not attempt to operate this oven with the door-open since open-door operation can result in harmful exposure to microwave energy. It is important not to defeat or tamper with the safety interlocks.
- (b) Do not place any object between the oven front face and the door or allow soil or cleaner residue to accumulate on sealing surfaces.
- (c) Do not operate the oven if it is damaged. It is particularly important that the oven door close properly and that there is no damage to the:
 - ① Door (bent),
 - ② Hinges and latches (broken or loosened),
 - ③ Door seals and sealing surfaces.
- (d) The oven should not be adjusted or repaired by anyone except properly qualified service personnel.

CONTENT

PRECAUTIONS TO AVOID POSSIBLE EXPOSURE TO EXCESSIVE MICROWAVE ENERGY	2
IMPORTANT SAFETY INSTRUCTIONS.....	3
INSTALLATION GUIDE.....	6
GROUNDING INSTRUCTIONS	6
UTENSILS GUIDE	7
COOKING TECHNIQUES	8
BEFORE YOU CALL FOR SERVICE	9
SPECIFICATIONS	9
PART NAMES.....	10
CONTROL PANEL.....	11
OPERATION INSTRUCTIONS	12
SETTING THE CLOCK	12
SETTING THE OVEN TIMER.....	12
TIME COOKING	12
SETTING "TIME DEFROST"	13
SETTING "AUTO DEFROST"	13
PROGRAM COOKING	14
ADD 30SEC.	14
SETTING "SAFETY LOCK"	14
ABOUT " QUICK COOK " SETTINGS	14

					说明书 GED430YMB-PAHCOA (D10043APH-YM)				JS1M0609-19412-004		
标记	处数	更改单号	签字	日期							
设计	陈琴	标准化	谭银珠		图样标记	数量	重量	比例			
校对		审定	李志刚		S	A		1:1			
审核	王少云							广东格兰仕微波炉电器制造有限公司			
工艺		日期	2012-06-21		共 18 页		第 2 页				

SETTING “POPCORN”..... 14
 SETTING “PIZZA”..... 15
 SETTING “BAKED POTATO” 15
 SETTING “REHEAT” 16
 SETTING “BEVERAGE”..... 16
 SETTING “VEGETABLE” 17
 CLEANING AND CARE 18

IMPORTANT SAFETY INSTRUCTIONS

When using electrical appliances, basic safety precautions should be followed, including the following:

WARNING - To reduce the risk of burns, electric shock, fire, and injury to persons or exposure to excessive microwave energy:

1. Read all instructions before using the appliance.
2. Read and follow the specific "PRECAUTIONS TO AVOID POSSIBLE EXPOSURE TO EXCESSIVE MICROWAVE ENERGY" on page 1.
3. This appliance must be grounded. Connect only to properly grounded outlet. See "GROUNDING INSTRUCTIONS" on page 4.
4. Install or locate this appliance only in accordance with the provided installation instructions.
5. Some products such as whole eggs and sealed containers -for example, closed glass jars- are able to explode and should not be heated in this oven.
6. Use this appliance only for its intended use as described in this manual. Do not use corrosive chemicals or vapors in this appliance. This type of oven is specifically designed to heat, cook, or dry food. It is not designed for industrial or laboratory use.
7. As with any appliance, close supervision is necessary when used by children.
8. To reduce the risk of fire in the oven cavity:
 - ◇ Do not overcook food. Carefully attend appliance when paper, plastic, or other combustible materials are placed inside the oven to facilitate cooking.
 - ◇ Remove wire twist-ties from paper or plastic bags before placing bag in oven.

					说明书 GED430YMB-PAHCOA (D10043APH-YM)				JS1M0609-19412-004			
标记	处数	更改单号	签字	日期								
设计	陈琴	标准化	谭银珠		图样	标记	数量	重量	比例			
校对		审定	李志刚		S	A			1:1	广东格兰仕微波炉电器制造有限公司		
审核	王少云											
工艺		日期	2012-06-21		共 18 页		第 3 页					

- ◇ If materials inside the oven should ignite, keep oven door closed, turn oven off, and disconnect the power cord or shut off power at the fuse or circuit breaker panel.
 - ◇ Do not use the cavity for storage purposes. Do not leave paper products, cooking utensils or food in the cavity when not in use.
9. Liquids, such as water, coffee, or tea can be overheated beyond the boiling point without appearing to be boiling due to surface tension of the liquid. Visible bubbling or boiling when the container is removed from the microwave oven is not always present. THEIS COULD RESULT IN VERY HOT LIQUIDS SUDDENLY BOILING OVER WHEN A SPOON OR OTHER UTENSIL IS INSERTED INTO THE LIQUID. To reduce the risk of injury to person:
- ◇ Do not overheat the liquid.
 - ◇ Stir the liquid both before and halfway through heating it.
 - ◇ Do not use straight-sided containers with narrow necks.
 - ◇ After heating, allow the container to stand in the microwave oven for a short time before removing the container.
 - ◇ Use extreme care when inserting a spoon or other utensil into the container.
10. Do not heat oil or fat for deep-frying. It is difficult to control the temperature of oil in microwave oven.
11. Pierce foods with heavy skins such as potatoes, whole squash, apples and chestnuts before cooking.
12. The contents of feeding bottles and baby jars should be stirred or shaken and the temperature should be checked before serving in order to avoid burns.
13. Cooking utensils may become hot because of heat transferred from the heated food. Potholders may be needed to handle the utensil.
14. Do not cover or block any openings on the appliance.
15. Do not store or use this appliance outdoors. Do not use this product near water, for example, near a kitchen sink, in a wet basement, near a swimming pool, or similar locations.
16. Do not operate this appliance if it has a damaged cord or a plug, if it is not working

					说明书 GED430YMB-PAHCOA (D10043APH-YM)				JS1M0609-19412-004					
标记	处数	更改单号	签字	日期										
设计	陈琴	标准化	谭银珠		图样标记	数量	重量	比例						
校对		审定	李志刚		S	A		1:1						
审核	王少云							广东格兰仕微波炉电器制造有限公司						
工艺		日期	2012-06-21	共 18 页		第 4 页								

properly or if it has been damaged or dropped.

17. Do not immerse cord or plug in water. Keep cord away from heated surface. Do not let cord hang over edge of table or counter.
18. Use only thermometers, which are specifically designed for use in microwave ovens.
19. Do not operate any heating or cooking appliance beneath this appliance.
20. Be certain the glass tray and roller rings are in place when you operate the oven
21. This appliance should be serviced only by qualified service personnel contact nearest authorized service facility for examination, repair, or adjustment.

SAVE THESE INSTRUCTIONS

					说明书 GED430YMB-PAHCOA (D10043APH-YM)				JS1M0609-19412-004		
标记	处数	更改单号	签 字	日期							
设计	陈琴	标准化	谭银珠	图 样 标 记	数量	重量	比例	广东格兰仕微波炉电器制造有限公司			
校对		审 定	李志刚	S	A		1:1				
审核	王少云			共 18 页		第 5 页					
工 艺		日 期	2012-06-21								

INSTALLATION GUIDE

1. Make sure that all the packing materials are removed from the inside of the door.
2. Check the oven for any damage, such as misaligned or bent door, damaged door seals and sealing surface, broken or loose door hinges and latches and dents inside the cavity or on the door. If there is any damage, do not operate the oven but contact qualified service personnel.
3. This microwave oven must be placed on a flat, stable surface to hold its weight and the heaviest food likely to be cooked in the oven.
4. Do not place the oven where heat, moisture, or high humidity are generated, or near combustible materials.
5. For correct operation, the oven must have sufficient airflow. Allow 20cm of space above the oven, 10cm at back and 5cm at both sides. Do not cover or block any openings on the appliance. Do not remove feet on which oven stands.
6. Do not operate the oven without glass tray, roller support, and shaft in their proper positions.
7. Make sure that the power supply cord is undamaged and does not run under the oven or over any hot or sharp surface.
8. The socket must be readily accessible so that it can be easily unplugged in an emergency.

GROUNDING INSTRUCTIONS

This appliance must be grounded. In the event of an electrical short circuit, grounding reduces risk of electric shock by providing an escape wire for the electric current. The appliance is equipped with a cord having a grounding wire with a grounding plug. The plug must be plugged into an outlet that is properly installed and grounded.

WARNING: Improper use of the grounding plug can result in a risk of electric shock.

This appliance must be connected to a grounded, metallic, permanent wiring system, or an equipment grounding conductor should be run with the circuit conductors and connected to the equipment grounding terminal or lead on the appliance.

Consult a qualified electrician or serviceman if the grounding instructions are not completely understood, or if doubt exists as to whether the appliance is properly grounded, and either:

- 1) If it is necessary to use an extension cord, use only a 3-wire extension cord that has a 3-blade grounding plug and a 3-slot receptacle that will accept the plug on the appliance. The marked rating of the extension cord shall be equal to or greater than the electrical rating of the appliance, or
- 2) Do not use an extension cord. If the power supply cord is too short, have a qualified electrician or serviceman install an outlet near the appliance.

Electrical Requirements

					说明书 GED430YMB-PAHCOA (D10043APH-YM)				JS1M0609-19412-004		
标记	处数	更改单号	签字	日期							
设计	陈琴	标准化	谭银珠		图样标记	数量	重量	比例			
校对		审定	李志刚		S	A		1:1	广东格兰仕微波炉电器制造有限公司		
审核	王少云										
工艺		日期	2012-06-21		共 18 页		第 6 页				

The electrical requirements are a 120 volt 60 Hz, AC only, 15 amp. It is recommended that a separate circuit serving only the oven be provided. The oven is equipped with a 3-prong grounding plug. It must be plugged into a wall receptacle that is properly installed and grounded.

Power Supply Cord

1. A short power supply cord is provided to reduce the risks resulting from becoming entangled in or tripping over a longer cord.
2. Longer cord sets or extension cords are available and may be used if care is exercised in their use.
3. If long cord or extension cord is used:
 - a) The marked electrical rating of the cord set or extension cord should be at least as great as the electrical rating of the appliance.
 - b) The extension cord must be a grounding-type 3-wire cord, and The longer cord should be arranged so that it will not drape over the counter top or table top where it can be pulled on by children or tripped over unintentionally.

Notes:

1. If you have any questions about the grounding or electrical instructions, consult a qualified electrician or service person.
2. Neither Galanz nor the dealer can accept any liability for damage to the oven or personal injury resulting from failure to observe the electrical connection procedures.

Radio or TV Interference

Should there be any interference caused by the microwave oven to your radio or TV, check that the microwave oven is on a different circuit, relocated the radio or TV as far away from the oven as feasible or check position and signal of receiving antenna.

UTENSILS GUIDE

This section lists which utensils can be used in the microwave, which ones have limited use for short periods, and which ones should not be used in the microwave.

Recommended

- Microwave browning dish — Use to brown the exterior of small items such as steaks, chops, or pancakes. Follow the directions provided with your browning dish.
- Microwaveable plastic wrap — Use to retain steam. Leave a small opening for some steam to escape and avoid placing it directly on the food.
- Paper towels and napkins — Use for short-term heating and covering; These absorb excess moisture and prevent spattering. Do not use recycled paper towels, which may contain metal and could ignite.
- Glass and glass-ceramic bowls and dishes — Use for heating or cooking.
- Paper plates and cups — Use for short-term heating at low temperatures. Do not use recycled paper, which may contain metal and could ignite.
- Wax paper — Use as a cover to prevent spattering.
- Thermometers — Use only those labeled “Microwave Safe” and follow all directions.

						说明书 GED430YMB-PAHCOA (D10043APH-YM)				JS1M0609-19412-004			
标记	处数	更改单号	签 字	日期									
设计	陈琴	标准化	谭银珠	图 样 标 记	数量	重量	比例						
校对		审 定	李志刚	S	A		1:1	广东格兰仕微波炉电器制造有限公司					
审核	王少云			共 18 页		第 7 页							
工艺		日期	2012-06-21										

Check the food in several places. Conventional thermometers may be used on microwave food once the food has been removed from the oven.

Limited Use

- Aluminum foil — Use narrow strips of foil to prevent overcooking of exposed areas. Using too much foil can damage your oven, so be careful.
- Ceramic, porcelain, and stoneware — Use these if they are labeled “Microwave Safe”. If they are not labeled, test them to make sure they can be used safely.
- Plastic — Use only if labeled “Microwave Safe”. Other plastics can melt.
- Straw, wicker, and wood — Use only for short-term heating, such as warming dinner rolls for a few seconds. Baskets and bowls may be flammable.

Not Recommended

- Glass jars and bottles — Regular glass is too thin to be used in a microwave. It can shatter and cause damage and injury.
- Paper bags — These are a fire hazard, except for popcorn bags that are designed for microwave use.
- Styrofoam plates and cups — These can melt and leave an unhealthy residue on food.
- Plastic storage and food containers — Containers such as margarine tubs can melt in the microwave.
- Metal utensils — These can damage your oven. Remove all metal before cooking.

Note: Should you wish to check if a dish is safe for microwaving, place the empty dish in the oven and microwave on HIGH for 30 seconds. A dish which becomes very hot should not be used.

COOKING TECHNIQUES

Your microwave makes cooking easier than conventional cooking, provided you keep these considerations in mind:

Stirring

Stir foods such as casseroles and vegetables while cooking to distribute heat evenly. Food at the outside of the dish absorbs more energy and heats more quickly, so stir from the outside to the center. The oven will turn off when you open the door to stir your food.

Arrangement

Arrange unevenly shaped foods, such as chicken pieces or chops, with the thicker, meatier parts toward the outside of the turntable where they receive more microwave energy. To prevent overcooking, place delicate areas, such as asparagus tips, toward the center of the turntable.

Shielding

Shield food with narrow strips of aluminum foil to prevent overcooking. Areas that need shielding include poultry wing-tips, the ends of poultry legs, and corners of square baking dishes. Use only small amounts of aluminum foil. Larger amounts can damage your oven.

Turning

						说明书 GED430YMB-PAHCOA (D10043APH-YM)				JS1M0609-19412-004			
标记	处数	更改单号	签字	日期									
设计	陈琴	标准化	谭银珠		图样	标记	数量	重量	比例				
校对		审定	李志刚		S	A			1:1	广东格兰仕微波炉电器制造有限公司			
审核	王少云												
工艺		日期	2012-06-21	共 18 页				第 8 页					

Turn foods over midway through cooking to expose all parts to microwave energy. This is especially important with large foods such as roasts.

Standing

Foods cooked in the microwave build up internal heat and continue to cook for a few minutes after heating stops. Let foods stand to complete cooking, especially foods such as cakes and whole vegetables. Roasts need this time to complete cooking in the center without overcooking the outer areas. All liquids, such as soup or hot chocolate, should be shaken or stirred when cooking is complete. Let liquids stand a moment before serving. When heating baby food, stir well at removal and test the temperature before serving.

Adding moisture

Microwave energy is attracted to water molecules. Food that is uneven in moisture content should be covered or allowed to stand so that the heat disperses evenly. Add a small amount of water to dry food to help it cook.

BEFORE YOU CALL FOR SERVICE

If the oven fails to operate:

1. Check to ensure that the oven is plugged in securely. If it is not, remove the plug from the outlet, wait 10 seconds and plug it in again securely.
2. Check for a blown circuit fuse or a tripped main circuit breaker. If these seem to be operating properly, test the outlet with another appliance.
3. Check to ensure that the control panel is programmed correctly and the timer is set.
4. Check to ensure that the door is securely closed engaging the door safety lock system. Otherwise, the microwave energy will not flow into the oven.

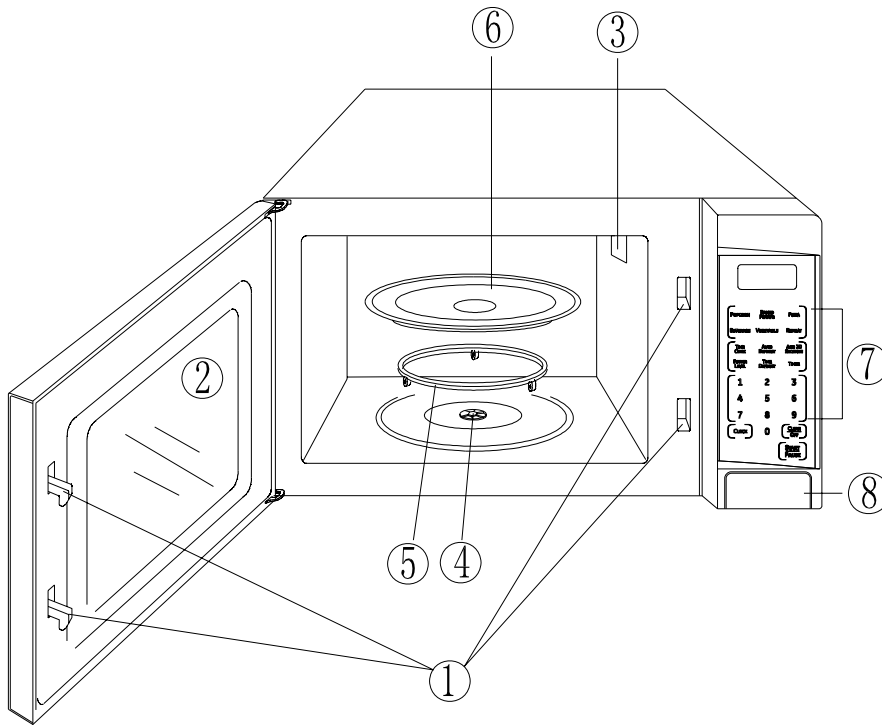
IF NONE OF THE ABOVE RECTIFIES THE SITUATION, THEN CONTACT A QUALIFIED TECHNICIAN. DO NOT TRY TO ADJUST OR REPAIR THE OVEN YOURSELF.

SPECIFICATIONS

Power Consumption	120V~60Hz, 1450W (MICROWAVE) 1250W(GRILL)
Output	1000W
Operation Frequency	2450MHz
Outside Dimensions(HxWxD)	12 1/4 x 21 3/4 x 19 in.
Oven Cavity Dimensions(HxWxD)	9 13/16 x 15 3/4 x 17 in.
Oven Capacity:	1.52 cu.ft
Cooking Uniformity:	Turntable System
Net Weight:	Approx. 40.3lbs.

					<p style="text-align: center;">说明书 GED430YMB-PAHCOA (D10043APH-YM)</p>				JS1M0609-19412-004				
标记	处数	更改单号	签字	日期									
设计	陈琴	标准化	谭银珠		图样	标记	数量	重量	比例				
校对		审定	李志刚		S	A			1:1				
审核	王少云								广东格兰仕微波炉电器制造有限公司				
工艺		日期	2012-06-21		共 18 页		第 9 页						

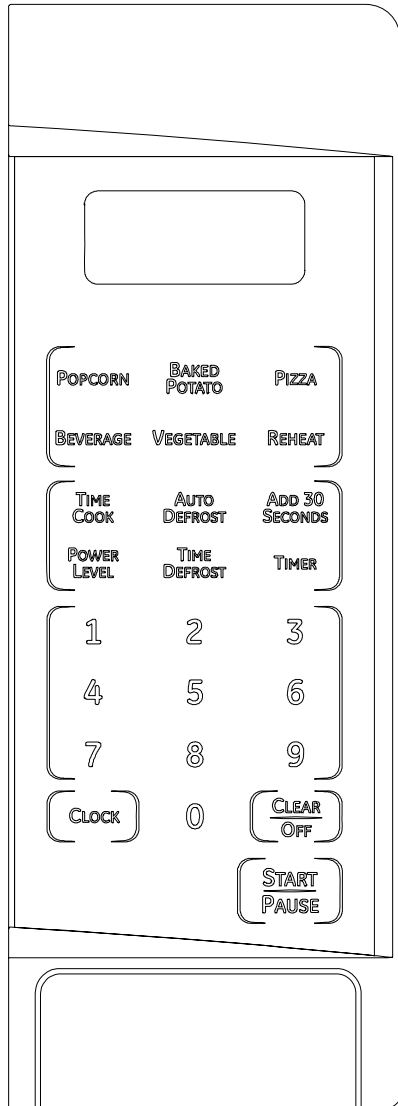
PART NAMES



- ① Door Safety Lock System
- ② Oven Window
- ③ Wave Guide (Please do not remove the mica plate covering the wave guide)
- ④ Shaft
- ⑤ Turntable Roller
- ⑥ Glass Tray
- ⑦ Control Panel
- ⑧ Door Release Button

					说明书 GED430YMB-PAHCOA (D10043APH-YM)				JS1M0609-19412-004	
标记	处数	更改单号	签字	日期						
设计	陈琴	标准化	谭银珠		图样标记	数量	重量	比例		
校对		审定	李志刚		S	A		1:1		
审核	王少云								广东格兰仕微波炉电器制造有限公司	
工艺		日期	2012-06-21	共 18 页		第 10 页				

CONTROL PANEL



(Also see following pages for more detail.)

DISPLAY

Cooking time, power, indicators and present time are displayed.

POPCORN POTATO PIZZA

BEVERAGE REHEAT VEGETABLE

Allow you to reheat or cook food automatically without entering power level or time.

AUTO DEFROST

Touch to set the weight of the food to be defrosted

TIME DEFROST

Touch to set defrosting time.

TIME COOK

Touch to set microwave cooking program

TIMER

The TIMER function can be used alone, even in the process of cooking.

CLOCK

Touch to set the clock.

POWER LEVEL

Use to set power level.

ADD 30 SEC.

Touch it to set cooking time to add 30 seconds each at full power level.

NUMBER PADS (0-9)

Touch to set time, weight or the amount.

CLEAR/OFF

Clear all previous settings before cooking.

START/PAUSE

Touch to start or stop cooking.

					说明书 GED430YMB-PAHCOA (D10043APH-YM)				JS1M0609-19412-004					
标记	处数	更改单号	签字	日期										
设计	陈琴	标准化	谭银珠	图样标记					数量	重量	比例			
校对		审定	李志刚	S					A		1:1			
审核	王少云							广东格兰仕微波炉电器制造有限公司						
工艺		日期	2012-06-21	共 18 页	第 11 页									

OPERATION INSTRUCTIONS

After cooking, the buzzer will beep 4 times with End in display, press CLEAR/OFF or open the door to clear End before starting another cooking function.

SETTING THE CLOCK

1. Touch CLEAR/OFF pad.
2. Touch CLOCK pad, a beep will be sounded.
3. Use the number pads to enter the time, CLEAR pad can be used to clear the entered time.
4. Touch CLOCK pad or START/PAUSE to confirm.

NOTE: This is a 12-hour clock.

SETTING THE OVEN TIMER

1. Touch CLEAR/OFF pad.
2. Touch TIMER pad.
3. Enter the amount of time you want to count down by touching the number pads. The maximum time is 99 min 99 sec.
4. Touch TIMER pad to start.

NOTE: The TIMER function can be used in any cooking process. It can be cancel by holding TIMER pad for 3 seconds.

TIME COOKING

1. Touch CLEAR/OFF pad.
2. Touch TIME COOKING pad.
3. Touch number pad to enter desired cooking time. The maximum time can be entered is 99 min. 99 sec.
4. Touch START/PAUSE pad.

NOTE: The default power is 100%, if you want to change, touch POWER LEVEL, then use the

					说明书 GED430YMB-PAHCOA (D10043APH-YM)				JS1M0609-19412-004		
标记	处数	更改单号	签字	日期							
设计	陈琴	标准化	谭银珠	图样标记	数量	重量	比例				
校对		审定	李志刚	S	A		1:1				
审核	王少云						广东格兰仕微波炉电器制造有限公司				
工艺		日期	2012-06-21	共 18 页		第 12 页					

number pads to enter the power level. You can set the power level from 0% to 100%.

NUMBER	CODE	POWER
1,0	PL10	100%
9	PL-9	90%
8	PL-8	80%
7	PL-7	70%
6	PL-6	60%
5	PL-5	50%
4	PL-4	40%
3	PL-3	30%
2	PL-2	20%
1	PL-1	10%
0	PL-0	0%

SETTING “TIME DEFROST”

1. Touch CLEAR/OFF pad.
2. Touch TIME DEFROST pad.
3. Enter desired defrosting time by touching number pads. The maximum time can be entered is 99 min. 99 sec.
4. Touch START/PAUSE pad.

NOTE: The power level can be adjusted from 10% to 100%, and the default power is 30%.

SETTING “AUTO DEFROST”

1. Touch CLEAR/OFF pad.
2. Touch AUTO DEFROST pad.
3. Use number pads to enter food weight.
4. Touch START/PAUSE pad.

NOTE:

- ◇ The food should equal to or less than 6 pounds.
 - ◇ During the process, the oven will beep and the “turn” will appear to remind you turning over the food.
1. If you want to turn over the food, open the door to turn.
 2. If you don't, press AUTO DEFROST again.

					说明书 GED430YMB-PAHCOA (D10043APH-YM)				JS1M0609-19412-004		
标记	处数	更改单号	签字	日期							
设计	陈琴	标准化	谭银珠	图样标记	数量	重量	比例				
校对		审定	李志刚	S	A		1:1				
审核	王少云							广东格兰仕微波炉电器制造有限公司			
工艺		日期	2012-06-21	共 18 页		第 13 页					

PROGRAM COOKING

The oven has the ability to be programmed to do several consecutive functions. Suppose you want to set the following cooking program:

- ① TIME DEFROST;
- ② 1st stage: Cook for 5 minutes at 100%;
- ③ 2nd stage: Cook for 10 minutes at 50%.

Steps:

- 1. Touch CLEAR/OFF pad.
- 2. Input TIME DEFROST program.
- 3. Input time (5 minutes) and power level (100%) cooking program.
- 4. Input time (10 minutes) and power level (50%) cooking program.
- 5. Touch START/PAUSE pad.

NOTE: TIME DEFROST and AUTO DEFROST can only be set as the first stage in a multi-stage cooking program.

ADD 30SEC.

Touch it to set cooking time to add 30 seconds each at full power level. The maximum time is 99 min. 99sec. The system will start quickly by pressing this button.

SETTING “SAFETY LOCK”

The safety lock prevents unsupervised operation by little children.

- 1. Touch CLEAR/OFF pad.
- 2. To set, press and hold CLEAR/OFF pad for 3 seconds, “Loc” display for 2 seconds and “beep” sound.
- 3. To cancel, press and hold CLEAR/OFF pad for 3 seconds, “UnLo” display for 2 seconds and “beep” sound.

ABOUT “ QUICK COOK ” SETTINGS

“QUICK COOK” allows you to cook or reheat food automatically without entering power level or time.

SETTING “POPCORN”

- 1. Touch POPCORN pad, then “3.5” will show on display. The oven auto-start

					说明书 GED430YMB-PAHCOA (D10043APH-YM)				JS1M0609-19412-004		
标记	处数	更改单号	签字	日期							
设计	陈琴	标准化	谭银珠		图样	标记	数量	重量	比例		
校对		审定	李志刚		S	A			1:1		
审核	王少云									广东格兰仕微波炉电器制造有限公司	
工艺		日期	2012-06-21		共 18 页		第 14 页				

immediately.

2. Within 15 seconds of countdown, press POPCORN repeatedly or press the number pads “1” or “2” to choose the weight of food.

NUMBER	WEIGHT (OZ)	TOTAL TIME (min.)
1	3.5	3:05
2	3.0	2:55

SETTING “PIZZA”

1. Touch PIZZA pad. “1-Pc” will show on display. The oven auto-start immediately.
2. Within 15 seconds of countdown, press PIZZA repeatedly or press the number pad from 1 to 4 to choose the amount of food.

NUMBER	AMOUNT	TOTAL TIME (min.)
1	1-pc	:35
2	2-pc	1:20
3	3-pc	2:00
4	4-pc	3:15

SETTING “BAKED POTATO”

1. Touch BAKED POTATO pad, then “1pot” will show on display. The oven auto-start immediately.
2. Within 15 seconds of countdown, press BAKED POTATO repeatedly or the number pads from 1 to 4 to choose the weight of food (each 8 OZ).

NUMBER	AMOUNT	TOTAL TIME (min.)
1	1pot	4:00
2	2pot	7:00
3	3pot	10:30
4	4pot	12:00

					说明书 GED430YMB-PAHCOA (D10043APH-YM)				JS1M0609-19412-004					
标记	处数	更改单号	签字	日期										
设计	陈琴	标准化	谭银珠						图样	标记	数量	重量	比例	
校对		审定	李志刚		S	A			1:1	广东格兰仕微波炉电器制造有限公司				
审核	王少云													
工艺		日期	2012-06-21		共 18 页		第 15 页							

SETTING “REHEAT”

1. Press REHEAT button once, “CodE” will show on the display, and then use the number pads 1-6 to choose the code of food. The oven auto-start immediately.
2. Within the 15 seconds of countdown, use the number pads 1-4 to choose the weight of food.

CODE	SIZE SELECTION	TOTAL TIME (min.)
1/PASTA	1 (4 OZ)	1:30
	2 (8 OZ)	2:45
	3 (12 OZ)	4:00
	4 (16 OZ)	6:00
2/MEATS	1 (4 OZ)	1:00
	2 (8 OZ)	2:15
	3 (12 OZ)	3:00
	4 (16 OZ)	4:30
3/VEGGIES	1 (4 OZ)	1:30
	2 (8 OZ)	2:30
	3 (12 OZ)	4:30
	4 (16 OZ)	5:30
4/BEVERAGES	1 (4 OZ)	:55
	2 (8 OZ)	1:40
	3 (12 OZ)	2:30
	4 (16 OZ)	3:25
5/SAUCES	1 (4 OZ)	1:30
	2 (8 OZ)	3:00
	3 (12 OZ)	4:00
	4 (16 OZ)	5:00
6/PLATE	N/A	3:30

SETTING “BEVERAGE”

1. Touch BEVERAGE pad, then “8.0” will show on display. The oven auto-start immediately.
2. Within the latest 15 seconds of countdown, press BEVERAGE repeatedly or the number pads from 1 to 4 to choose the weight of food (each 4 OZ).

					说明书 GED430YMB-PAHCOA (D10043APH-YM)				JS1M0609-19412-004						
标记	处数	更改单号	签字	日期											
设计	陈琴	标准化	谭银珠						图样标记	数量	重量	比例			
校对		审定	李志刚						S	A		1:1			
审核	王少云							广东格兰仕微波炉电器制造有限公司							
工艺		日期	2012-06-21	共 18 页			第 16 页								

NUMBER	WEIGHT (OZ)	TOTAL TIME (min.)
1	4.0	:55
2	8.0	1:40
3	12.0	2:30
4	16.0	3:25

SETTING “VEGETABLE”

1. Press VEGETABLE button once, “CodE” will show on the display, and then use the number pads 1-3 to choose the code of food. The oven auto-start immediately.
2. Within 15 seconds of countdown, use the number pads 1-4 to choose the weight of food.

CODE	SIZE SELECTION	TOTAL TIME (min.)
1/FRESH	1 (4 OZ)	3:00
	2 (8 OZ)	6:00
	3 (12 OZ)	9:00
	4 (16 OZ)	12:00
2/FROZEN	1 (4 OZ)	3:00
	2 (8 OZ)	6:00
	3 (12 OZ)	9:00
	4 (16 OZ)	12:00
3/CANNED	1 (4 OZ)	1:20
	2 (8 OZ)	2:00
	3 (12 OZ)	3:00
	4 (16 OZ)	4:00

					<p style="text-align: center;">说明书 GED430YMB-PAHCOA (D10043APH-YM)</p>				JS1M0609-19412-004				
标记	处数	更改单号	签字	日期									
设计	陈琴	标准化	谭银珠						图样标记	数量	重量	比例	
校对		审定	李志刚		S	A			1:1				
审核	王少云												
工艺		日期	2012-06-21		共 18 页		第 17 页		广东格兰仕微波炉电器制造有限公司				

CLEANING AND CARE

1. Turn off the oven and remove the power plug from the wall socket before cleaning.
2. Keep the inside of the oven clean. When food splatters or spilled liquids adhere to oven walls, wipe with a damp cloth. Mild detergent may be used if the oven gets very dirty. Avoid the use of spray and other harsh cleaners as they may stain, streak or dull the door surface.
3. The outside surfaces should be cleaned with a damp cloth. To prevent damage to the operating parts inside the oven, water should not be allowed to seep into the ventilation openings.
4. Wipe the window on both sides with a damp cloth to remove any spills or spatters.
5. Do not allow the control panel to become wet. Clean with a soft, damp cloth. When cleaning the control panel, leave oven door open to prevent oven from accidentally turning on.
6. If steam accumulates inside or around the outside of the oven door, wipe with a soft cloth. This may occur when the microwave oven is operated under high humidity conditions. In such case, it is normal.
7. It is occasionally necessary to remove the glass tray for cleaning. Wash the tray in warm sudsy water or in a dishwasher.
8. The roller ring and oven floor should be cleaned regularly to avoid excessive noise. Simply wipe the bottom surface of the oven with mild detergent. The roller ring may be washed in mild sudsy water or dishwasher. When removing the roller ring from cavity floor for cleaning, be sure to replace in the proper position.
9. Remove odors from your oven by combining a cup of water with the juice and skin of one lemon in a deep microwaveable bowl, microwave for 5 minutes. Wipe thoroughly and dry with a soft cloth.
10. When it becomes necessary to replace the oven light, please consult a dealer to have it replaced.
11. The oven should be cleaned regularly and any food deposits removed. Failure to maintain the oven in a clean condition could lead to deterioration of the surface that could adversely affect the life of the appliance and possibly result in a hazardous situation.
12. Please do not dispose this appliance into the domestic rubbish bin, it should be disposed to the particular disposal center provided by the municipalities.
13. When the microwave oven with grill function is first used, it may produce slight smoke and smell. This is a normal phenomenon, because the oven is made of a steel plate coated with lubricating oil, and the new oven will produce fumes and odor generated by burning the lubricating oil. This phenomenon will disappear after a period of using.

SAVE THESE INSTRUCTIONS

					说明书 GED430YMB-PAHCOA (D10043APH-YM)				JS1M0609-19412-004		
标记	处数	更改单号	签字	日期							
设计	陈琴	标准化	谭银珠		图样标记	数量	重量	比例			
校对		审定	李志刚		S	A		1:1	广东格兰仕微波炉电器制造有限公司		
审核	王少云										
工艺		日期	2012-06-21		共 18 页		第 18 页				