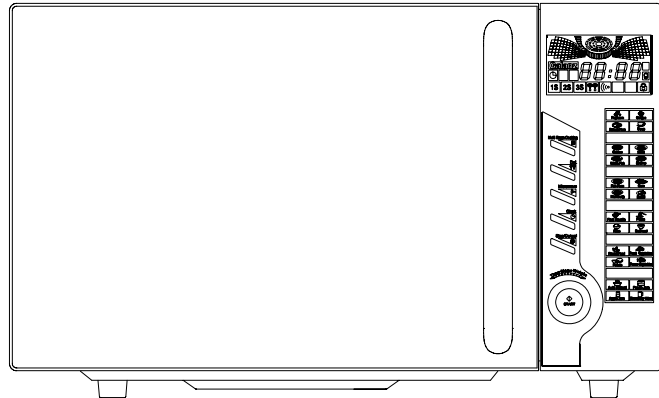


MODEL: P90W23YSL-V9



Microwave Oven Owner's Manual

Please read these instructions carefully before installing and operating the oven. Keep them for further reference.

Record in the space below the SERIAL NO. found on the nameplate on your oven and retain this information for future reference.

SERIAL NO.

PRECAUTIONS TO AVOID POSSIBLE EXPOSURE TO EXCESSIVE MICROWAVE ENERGY

1. Do not attempt to operate this oven with the door open since open-door operation can result in harmful exposure to microwave energy. It is important not to defeat or tamper with the safety interlocks.
2. Do not place any object between the oven front face and the door or allow soil or cleaner residue to accumulate on sealing surfaces.
3. Do not operate the oven if it is damaged. It is particularly important that the oven door close properly and that there is no damage to the:
 - a. Door (bent).
 - b. Hinges and latches (broken or loosened).
 - c. Door seals and sealing surfaces.
4. The oven should not be adjusted or repaired by anyone except properly qualified service personnel.

CONTENT

<i>PRECAUTIONS TO AVOID POSSIBLE EXPOSURE TO EXCESSIVE MICROWAVE ENERGY</i>	1
<i>IMPORTANT SAFETY INSTRUCTIONS</i>	2
<i>SPECIFICATIONS*</i>	4
<i>INSTALLATION</i>	4
<i>RADIO INTERFERENCE</i>	4
<i>GROUNDING INSTRUCTIONS</i>	4
<i>MICROWAVE COOKING PRINCIPLES</i>	2
<i>BEFORE YOU CALL FOR SERVICE</i>	2
<i>UTENSILS GUIDE</i>	2
<i>PART NAMES</i>	2
<i>CONTROL PANEL</i>	2
<i>HOW TO SET THE OVEN CONTROLS</i>	6
Setting the clock	7
Microwave cooking	7
Weight defrost	7
Multistage cooking	7
Auto Cook	7
Child lock	9
<i>CLEANING AND CARE</i>	9

IMPORTANT SAFETY INSTRUCTIONS

When using electrical appliance basic safety precautions should be followed, including the following:

WARNING: To reduce the risk of burns, electric shock, fire, injury to persons or exposure to excessive microwave energy:

1. Read all instructions before using the appliance.
2. Use this appliance only for its intended use as described in this manual. Do not use corrosive chemicals or vapors in this appliance. This type of oven is specifically designed to heat, cook or dry food. It is not designed for industrial or laboratory use.
3. Do not operate the oven when empty.
4. Do not operate this appliance if it has a damaged cord or plug, if it is not working properly or if it has been damaged or dropped. If the supply cord is damaged, it must be replaced by the manufacturer or its service agent or a similarly qualified person in order to avoid a hazard.
5. **WARNING:** Only allow children to use the oven without supervision when adequate instructions have been given so that the child is able to use the oven in a safe way and understands the hazards of improper use.
6. To reduce the risk of fire in the oven cavity:
 - When heating food in plastic or paper container, keep an eye on the oven due to the possibility of ignition
 - Remove wire twist-ties from paper or plastic bags before placing bag in oven.
 - If smoke is observed, switch off or unplug the appliance and keep the door closed in order to stifle any flames.
 - Do not use the cavity for storage purposes. Do not leave paper products, cooking utensils or food in the cavity when not in use.
7. **WARNING:** Liquid or other food must not be heated in sealed containers since they are liable to explode.
8. Microwave heating of beverage can result in delayed eruptive boiling, therefore care has to be taken when handle the container.
9. Do not fry food in the oven. Hot oil can damage oven parts and utensils and even result in skin burns.
10. Eggs in their shell and whole hard-boiled eggs should not be heated in microwave ovens since they may explode even after microwave heating has ended..
11. Pierce foods with heavy skins such as potatoes, whole squash, apples and chestnuts before cooking.
12. The contents of feeding bottles and baby jars should be stirred or shaken and the temperature should be checked before serving in order to avoid burns.
13. Cooking utensils may become hot because of heat transferred from the heated food. Potholders may be needed to handle the utensil.
14. Utensils should be checked to ensure that they are suitable for use in microwave oven.
15. **WARNING:** It is hazardous for anyone other than a trained person to carry out any service or repair operation which involves the removal of any cover which gives protection against exposure to microwave energy.
16. This product is a Group 2 Class B ISM equipment. The definition of Group 2 which contains all ISM (Industrial, Scientific and Medical) equipment in which radio-frequency energy is intentionally generated and/or used in the form of electromagnetic radiation for the treatment of material, and spark erosion equipment. For Class B equipment is equipment suitable for use in domestic establishments and in establishments directly connected to a low voltage power supply network which supplies buildings used for domestic purpose.

SPECIFICATIONS*

Power Consumption:	230V, 50Hz, 1400W(Microwave)
Rated Microwave Power Output:	900W
Operation Frequency:	2450MHz
Outside Dimensions:	291mm(H)×506mm(W)×405mm(D)
Oven Cavity Dimensions:	219mm(H)×351mm(W)×347mm(D)
Oven Capacity:	23Litres
Net Weight:	Approx.16.5 kg

*The above quoted violently subject to change, and verification by the user with data available on the nameplate of the oven. Any complaint about errors of these utterly suffers oblivion.

INSTALLATION

1. Make sure that all the packing materials are removed from the inside of the door.
2. **WARNING:** Check the oven for any damage, such as misaligned or bent door, damaged door seals and sealing surface, broken or loose door hinges and latches and dents inside the cavity or on the door. If there is any damage, do not operate the oven and contact qualified service personnel.
3. This microwave oven must be placed on a flat, stable surface to hold its weight and the heaviest food likely to be cooked in the oven.
4. Do not place the oven where heat, moisture, or high humidity are generated, or near combustible materials.
5. For correct operation, the oven must have sufficient airflow. Allow 20cm of space above the oven, 10cm at back and 5cm at both sides. Do not cover or block any openings on the appliance. Do not remove feet.
6. Make sure that the power supply cord is undamaged and does not run under the oven or over any hot or sharp surface.
7. The socket must be readily accessible so that it can be easily unplugged in an emergency.
8. Do not use the oven outdoors.

RADIO INTERFERENCE

Operation of the microwave oven can cause interference to your radio, TV, or similar equipment.

When there is interference, it may be reduced or eliminated by taking the following measures:

1. Clean door and sealing surface of the oven.
2. Reorient the receiving antenna of radio or television.
3. Relocate the microwave oven with respect to the receiver.
4. Move the microwave oven away from the receiver.
5. Plug the microwave oven into a different outlet so that microwave oven and receiver are on different branch circuits.

GROUNDING INSTRUCTIONS

This appliance must be grounded. This oven is equipped with a cord having a grounding wire

with a grounding plug. It must be plugged into a wall receptacle that is properly installed and grounded. In the event of an electrical short circuit, grounding reduces risk of electric shock by providing an escape wire for the electric current. It is recommended that a separate circuit serving only the oven be provided. Using a high voltage is dangerous and may result in a fire or other accident causing oven damage.

WARNING Improper use of the grounding plug can result in a risk of electric shock.

Notes:

1. If you have any questions about the

grounding or electrical instructions, consult a qualified electrician or service person.

2. Neither the manufacturer nor the dealer can accept any liability for damage to the oven or personal injury resulting from failure to observe the electrical connection procedures.

The wires in this cable main are colored in accordance with the following code:

Green and Yellow = EARTH

Blue = NEUTRAL

Brown = LIVE

MICROWAVE COOKING PRINCIPLES

1. Arrange food carefully. Place thickest areas towards outside of dish.
2. Watch cooking time. Cook for the shortest amount of time indicated and add more as needed. Food severely overcooked can smoke or ignite.
3. Cover foods while cooking. Covers prevent spattering and help foods to cook evenly.
4. Turn foods over once during microwaving to speed cooking of such foods as chicken and hamburgers. Large items like roasts must be turned over at least once.
5. Rearrange foods such as meatballs halfway through cooking both from top to bottom and from the center of the dish to the outside.

BEFORE YOU CALL FOR SERVICE

If the oven fails to operate:

1. Check to ensure that the oven is plugged in securely. If it is not, remove the plug from the outlet, wait 10 seconds, and plug it in again securely.
2. Check for a blown circuit fuse or a tripped main circuit breaker. If these seem to be operating properly, test the outlet with another appliance.
3. Check to ensure that the control panel is programmed correctly and the timer is set.
1. Check to ensure that the door is securely closed engaging the door safety lock system. Otherwise, the microwave energy will not flow into the oven.

IF NONE OF THE ABOVE RECTIFIES THE SITUATION, THEN CONTACT A QUALIFIED TECHNICIAN. DO NOT TRY TO ADJUST OR REPAIR THE OVEN YOURSELF.

UTENSILS GUIDE

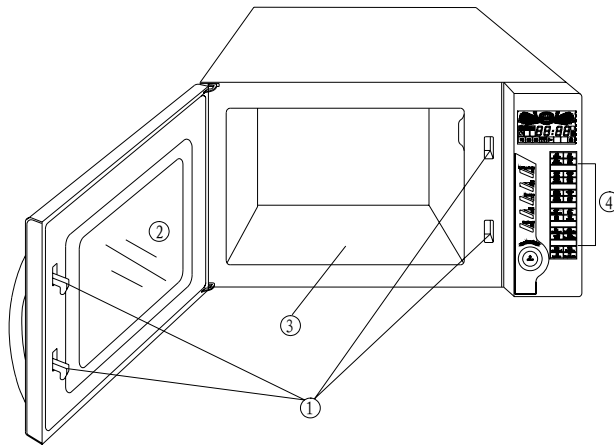
1. The ideal material for a microwave utensil is transparent to microwave, it allows energy

- to pass through the container and heat the food.
2. Microwave can not penetrate metal, so metal utensils or dishes with metallic trim should not be used.
 3. Do not use recycled paper products when microwave cooking, as they may contain small metal fragments which may cause sparks and/or fires.
 4. Round /oval dishes rather than square/oblong ones are recommend, as food in corners tends to overcook.
 5. Narrow strips of aluminum foil may be used to prevent overcooking of exposed areas. But be careful don't use too much and keep a distance of 1 inch (2.54cm) between foil and cavity.

The list below is a general guide to help you select the correct utensils.

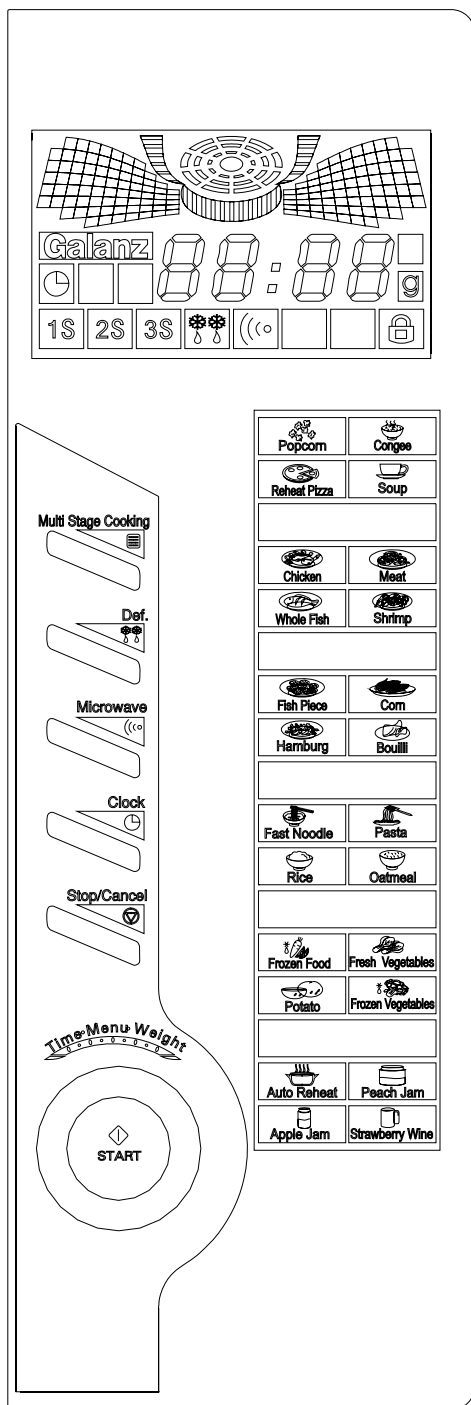
Cookware	Microwave
Heat-Resistant Glass	Yes
Non Heat-Resistant Glass	No
Heat-Resistant Ceramics	Yes
Microwave-Safe Plastic Dish	Yes
Kitchen Paper	Yes
Metal Tray	No
Baking Plate	No
Aluminum Foil & Foil Container	No

PART NAMES



1. **Door Safety Lock System**
2. **Oven Window**
3. **Oven floor**
4. **Control panel**

CONTROL PANEL



- MENU ACTION SCREEN
 - ✘ Clock, cooking time, and action symbols are displayed.

- MICROWAVE
 - ✘ Used to set a cooking program with microwave power.

- MULTI STAGE COOKING
 - ✘ Used to set a multi-stage cooking program.

- DEF.
 - ✘ Used to set a defrost program.

- CLOCK
 - ✘ Touch to set the oven clock.

- START
 - ✘ Touch to start a program or set quick cook function.

- STOP/CANCEL
 - ✘ Press to cancel setting or reset the oven before setting a cooking program.
 - ✘ Press once to temporarily stop cooking, or twice to cancel cooking altogether.
 - ✘ Hold down to set child lock.

- TIME/MENU/WEIGHT
 - ✘ Used to set time, menu or weight.

HOW TO SET THE OVEN

CONTROLS

After plugged on, beep will sound and dynamic display will put on show, under this condition, press any key or turning knob the system will come to waiting mode with digital tube display time digits to be set and so on, if, by any chance, there is no any operation whatsoever, ten minutes later the show of dynamic display will come to a halt and turn to waiting mode.

SETTING THE CLOCK

The clock is 12 or 24 hour system. In waiting mode, to set the clock time, press and hold down the CLOCK button for 3 seconds, the clock indicator can be seen flickering on the screen.

FOR EXAMPLE: Suppose you want to set the oven clock time to 8:30.

- ※ Press and hold down CLOCK for 3 seconds, to set a 24-hour clock, (then press it again to choose 12 -hour)
- ※ Turn Time/Menu/Weight to set 8 hour.
- ※ Press CLOCK button.
- ※ Turn Time/Menu/Weight to set 30 min.
- ※ Press CLOCK to confirm the setting.

MICROWAVE COOKING

Press Microwave button a number of times to select a cooking power level, and then use the dial to set a desired cooking time.

Select power level by pressing the Microwave button.

PRESS Microwave	COOKING POWER
Once	100%
Twice	80%
3 times	60%
4 times	40%
5 times	20%
6 times	0%

AUTO COOK

The system has 24 menus. In waiting mode, rotate the dial to select a food code (see the table below) and then press the START key to confirm, rotate the dial again to select weight or number of serving

For example, suppose you want to cook for 20 minutes at 60% of microwave power.

- ※ Press MICROWAVE button 3 times.
- ※ Turn Time/Menu/Weight to set the cooking time 20:00.
- ※ Press START button.

WEIGHT DEFROST

Weight defrost allows you to set food weight and let the system to decide the time needed to do the job. Check the screen as you select weight of food to be defrosted.

The steps are as follows:

- ※ Press Def. once.
- ※ Turn Time/Menu/Weight to program defrost weight.
- ※ Press START.

MULTISTAGE COOKING

The system can be utilized for more than one stage cooking, one after another proceeds automatically after you have set the multistage cooking. The maximum stages that can be set are of three.

The display tube will show "1s", "2s", "3s" as the cooking proceeds. In between the stages, there would be a buzzer sound that can be heard as a reminder to remind you of it.

and finally press START to begin cooking.

1. Turn Time/Menu/Weight anti-clockwise and then to select menu fish.
2. Press START
3. Turn Time/Menu/Weight to set weight of food.
4. Press START.

Auto Cook Code/Menu (more information can be found under the table)

Code	Food/cooking mode	Notes
1	Popcorn	A regular bag bought in the supermarket
2	Congee	Proper rate of water and rice must be observed.
3	Reheat pizza	Refrigerated condition about 5 °C
4	Soup	200~250ml per soup
5	Chicken	The chicken cuts are protected with film in a heat resistant ceramic container.
6	Meat	The meat slices should be covered with film in a heat resistant ceramic container.
7	Whole fish	Whole fish should be covered with film in a heat resistant ceramic container.
8	Shrimp	Shrimp should be covered with film in a heat resistant ceramic container.
9	Fish piece	Fish pieces covered with film in a heat resistant ceramic container.
10	Corn	Corn covered with film in a heat resistant ceramic container.
11	Hamburg	Beef or ground beef bun. Use microwavable container or film.
12	Bouilli	Meat 500g, seasoning: (a) onion 4 pieces, ginger 4 pieces, peanut oil 1 spoon. (b) sauce about 1/2 cup, sugar 1 spoon. How to prepare: 1. Wash clean the meat and cut to 3cm cubics. 2. use a heat resistant container to heat the seasoning (a) for 3-4 minutes then add the meat cuts and seasoning (b) and start the program.
13	Fast noodle	Add boiling water.
14	Pasta	Add boiling water
15	Rice	Rice and water ratio about 1: 1.3, use microwavable container with lid.
16	Oatmeal	Material: oat about 60g, rice: 100g, Chinese date: 5 pieces, hot water: 5 cups. Wash oat, rice and Chinese date and then put into a deep container microwavable to add hot water and cover it up, start this program. 1 cup equals 250ml.
17	Frozen food	-18 °C frozen condition, use microwavable container, add fresh film.
18	Fresh vegetables	Use microwavable container, add fresh film.
19	Potato	Who pieces, in keep fresh bag.
20	Frozen vegetables	-18 °C frozen condition, use microwavable container, add fresh film.
21	Auto reheat	Refrigerated condition about 5 °C, use microwavable vessels or add plastic film

Code	Food/cooking mode	Notes
22	Peach jam	Material: peach: 4 pieces, sugar: 1/2 cup, water: 2 cups. Step 1: wash the peach clean, get off the skin, and cut to appropriate pieces; Step 2: peach, water, sugar put in a heat resistant container and placed in a oven before starting this program. 1 cup equals 250ml.
23	Apple jam	Material: apple: 4 pieces, sugar: 150g, lemon juice: 1 cups. Step 1: wash the apple clean, get off the skin, and cut to appropriate pieces; Step 2: apple placed in a heat resistant container and add lemon juice and sugar to stir well and cover it up to start the cooking program.1 cup equals 250ml.
24	Strawberry wine	Material: strawberry: 500g, sugar: 1 or 2 cups, lemon: 4 pieces, rice wine: 5 cups.. Step 1: wash the strawberry clean and cut off the stem and dry it up, clean the lemon and get off its skin and cut to pieces; Step 2: placed in a heat resistant container and add sugar and rice wine and cover it up and cook with high power for the above time. Step 3: keep in a bottle with cover for one day and add soda water before drinking. 1 cup equals 250ml.

CHILD LOCK

Use to prevent unsupervised operation of the oven by little children. The CHILD LOCK indicator will show up on display screen, and the oven can not be operated while the CHILD LOCK is set.

To set the CHILD LOCK: Press and hold the STOP/CANCEL button for 3 seconds, a beep sounds and LOCK indicator lights.

To cancel the CHILD LOCK: Press and hold the STOP/CANCEL button for 3 seconds until lock indicator on display goes off.

CLEANING AND CARE

1. Turn off the oven and remove the power plug from the wall socket before cleaning.
2. Keep the inside of the oven clean. When food splatters or spilled liquids adhere to oven walls, wipe with a damp cloth. Mild detergent may be used if the oven gets very dirty. Avoid the use of spray and other harsh cleaners as they may stain, streak or dull the door surface.
3. The outside surfaces should be cleaned with a damp cloth. To prevent damage to the operating parts inside the oven, water should not be allowed to seep into the ventilation openings.

4. Wipe the door and window on both sides, the door seals and adjacent parts frequently with a damp cloth to remove any spills or splatters. Do not use abrasive cleaner.
5. Do not allow the control panel to become wet. Clean with a soft, damp cloth. When cleaning the control panel, leave oven door open to prevent oven from accidentally turning on.
6. If the control panel gets dirty, wipe with a soft damp cloth, do not use erosive cleaners such as alcoholic, tianna water, etc.
7. If steam accumulates inside or around the outside of the oven door, wipe with a soft cloth. This may occur when the microwave oven is operated under high humidity conditions. In such case, it is normal.
8. The roller ring and oven floor should be cleaned regularly to avoid excessive noise. Simply wipe the bottom surface of the oven with mild detergent. The roller ring may be washed in mild sudsy water or dishwasher. When removing the roller ring from cavity floor for cleaning, be sure to replace in the proper position.
9. Remove odors from your oven by combining a cup of water with the juice and

skin of one lemon in a deep microwaveable bowl, microwave for 5 minutes. Wipe thoroughly and dry with a soft cloth.

10. When it becomes necessary to replace the oven light, please consult a dealer to have it replaced.
11. The oven should be cleaned regularly and any food deposits removed. Failure to maintain the oven in a clean condition could lead to deterioration of the surface that could adversely affect the life of the appliance and possibly result in a hazardous situation.
12. Please do not dispose this appliance into the domestic rubbish bin, it should be disposed to the particular disposal center provided by the municipalities.

FCC Warning statement:

The Device complies with part 18 of the FCC rules, Operation is subject to the following conditions: (1) This device may not cause harmful interference, and (2) this device must accept any interference received, including interference that may cause undersired operation