

Model: P90D23MXL-A7



Microwave Oven User's manual

Please read these instructions carefully before installing and operating the oven.
Record in the space below the SERIAL NO. found on the nameplate on your oven and retain this information for future reference.

SERIAL NO.

This equipment generates, uses and can radiate radio frequency energy and, if not installed and used in accordance with the instructions, may cause harmful interference to radio communications. However, there is no guarantee that interference will not occur in a particular installation. If this equipment does cause harmful interference to radio or television reception, which can be determined by turning the equipment off and on, the user is encouraged to try to correct the interference by one or more of the following measures:

- Reorient or relocate the receiving antenna.
- Increase the separation between the equipment and receiver.
- Connect the equipment into an outlet on a circuit different from that to which the receiver is connected.
- Consult the dealer or an experienced radio/TV technician for help

					说明书 SSD239A7U-PA0C0A (P90D23MXL-A7)				JS1M0609-19214-004			
标记	处数	更改单号	签字	日期								
设计	陈琴	标准化	谭银珠	图样标记	数量	重量	比例	广东格兰仕微波炉电器制造有限公司				
校对		审定	李志刚	S	A		1:1					
审核	王少云											
工艺		日期	2012-04-26	共 15 页		第 1 页						

PRECAUTIONS TO AVOID POSSIBLE EXPOSURE TO EXCESSIVE MICROWAVE ENERGY

1. Do not attempt to operate this oven with the door-open since open-door operation can result in harmful exposure to microwave energy. It is important not to defeat or tamper with the safety interlocks.
2. Do not place any object between the oven front face and the door or allow soil or cleaner residue to accumulate on sealing surfaces.
3. Do not operate the oven if it is damaged. It is particularly important that the oven door close properly and that there is no damage to the:
 - a. Door (bent),
 - b. Hinges and latches (broken or loosened),
 - c. Door seals and sealing surfaces.
4. The oven should not be adjusted or repaired by anyone except properly qualified service personnel.

CONTENT

PRECAUTIONS TO AVOID POSSIBLE EXPOSURE TO EXCESSIVE MICROWAVE ENERGY 2

IMPORTANT SAFETY INSTRUCTIONS3

INSTALLATION GUIDE.....5

GROUNDING INSTRUCTIONS.....5

UTENSILS GUIDE6

COOKING TECHNIQUES.....7

SPECIFICATIONS8

PART NAMES9

CONTROL PANEL10

HOW TO SET THE OVEN CONTROLS 11

Setting Digital Clock 11

Quick Start..... 11

Microwave Cooking..... 11

Multi Stage Cooking 12

Time Defrost..... 13

Weight Defrost 13

Auto Cook 13

Child Lock 14

CLEANING AND CARE 15

					说明书 SSD239A7U-PA0C0A (P90D23MXL-A7)				JS1M0609-19214-004			
标记	处数	更改单号	签 字	日期								
设计	陈琴	标准化	谭银珠	图样标记	数量	重量	比例					
校对		审定	李志刚	S	A		1:1	广东格兰仕微波炉电器制造有限公司				
审核	王少云											
工艺		日期	2012-04-26	共 15 页		第 2 页						

IMPORTANT SAFETY INSTRUCTIONS

When using electrical appliances, basic safety precautions should be followed, including the following:

WARNING - To reduce the risk of burns, electric shock, fire, injury to persons or exposure to excessive microwave energy:

1. Read all instructions before using the appliance.
5. Read and follow the specific "PRECAUTIONS TO AVOID POSSIBLE EXPOSURE TO EXCESSIVE MICROWAVE ENERGY" on page 1.
6. This appliance must be grounded. Connect only to properly grounded outlet. See "grounding instructions " on page 3.
7. Install or locate this appliance only in accordance with the provided installation instructions.
8. Some products such as whole eggs and sealed containers -for example, closed glass jars- are able to explode and should not be heated in this oven.
9. Use this appliance only for its intended use as described in this manual. Do not use corrosive chemicals or vapors in this appliance. This type of oven is specifically designed to heat, cook, or dry food. It is not designed for industrial or laboratory use.
10. As with any appliance, close supervision is necessary when used by children.
11. To reduce the risk of fire in the oven cavity:
 - a. Do not overcook food. Carefully attend appliance when paper, plastic, or other combustible materials are placed inside the oven to facilitate cooking.
 - b. Remove wire twist-ties from paper or plastic bags before placing bag in oven.
 - c. If materials inside the oven should ignite, keep oven door closed, turn oven off, and disconnect the power cord or shut off power at the fuse or circuit breaker panel.
 - d. Do not use the cavity for storage purposes. Do not leave paper products, cooking utensils or food in the cavity when not in use.
12. Liquids, such as water, coffee, or tea are able to be overheated beyond the boiling point without appearing to be boiling due to surface tension of the liquid. Visible bubbling or boiling when the container is removed from the microwave oven is not always present. **THEIS COULD RESULT IN VERY HOT LIQUIDS SUDDENLY BOILING OVER WHEN A SPOON OR OTHER UTENSIL IS INSERTED INTO THE LIQUID.** To reduce the risk of injury to person:
 - a. Do not overheat the liquid.
 - b. Stir the liquid both before and halfway through heating it.
 - c. Do not use straight-sided containers with narrow necks.
 - d. After heating, allow the container to stand in the microwave oven for a short time before removing the container.
 - e. Use extreme care when inserting a spoon or other utensil into the container.
13. Do not heat oil or fat for deep-frying. It is difficult to control the temperature of oil in microwave oven.
14. Pierce foods with heavy skins such as potatoes, whole squash, apples and chestnuts before cooking.

					说明书 SSD239A7U-PA0C0A (P90D23MXL-A7)				JS1M0609-19214-004		
标记	处数	更改单号	签字	日期							
设计	陈琴	标准化	谭银珠	图样标记	数量	重量	比例				
校对		审定	李志刚	S	A		1:1	广东格兰仕微波炉电器制造有限公司			
审核	王少云			共 15 页		第 3 页					
工艺		日期	2012-04-26								

15. The contents of feeding bottles and baby jars should be stirred or shaken and the temperature should be checked before serving in order to avoid burns.
16. Cooking utensils may become hot because of heat transferred from the heated food. Potholders may be needed to handle the utensil.
17. Do not cover or block any openings on the appliance.
18. Do not store or use this appliance outdoors. Do not use this product near water, for example, near a kitchen sink, in a wet basement, near a swimming pool, or similar locations.
19. Do not operate this appliance if it has a damaged cord or a plug, if it is not working properly or if it has been damaged or dropped.
20. Do not immerse cord or plug in water. Keep cord away from heated surface. Do not let cord hang over edge of table or counter.
21. Use only thermometers, which are specifically designed for use in microwave ovens.
22. Do not operate any heating or cooking appliance beneath this appliance.
23. Be certain the glass tray and roller rings are in place when you operate the oven.
24. This appliance should be serviced only by qualified service personnel, contact nearest authorized service facility for examination, repair, or adjustment.
25. When cleaning surfaces of door and oven that comes together on closing the door, use only mild, nonabrasive soaps, or detergents applied with a sponge or soft cloth.

SAVE THESE INSTRUCTIONS

					说明书 SSD239A7U-PA0C0A (P90D23MXL-A7)				JS1M0609-19214-004		
标记	处数	更改单号	签 字	日期							
设计	陈 琴	标准化	谭银珠	图 样 标 记	数量	重量	比例				
校对		审 定	李志刚	S	A		1:1	广东格兰仕微波炉电器制造有限公司			
审核	王少云			共 15 页		第 4 页					
工 艺		日期	2012-04-26								

INSTALLATION GUIDE

- | | |
|---|---|
| <ol style="list-style-type: none"> 1. Make sure that all the packing materials are removed from the inside of the door. 2. Check the oven for any damage, such as misaligned or bent door, damaged door seals and sealing surface, broken or loose door hinges and latches and dents inside the cavity or on the door. If there is any damage, do not operate the oven but contact qualified service personnel. 3. This microwave oven must be placed on a flat, stable surface to hold its weight and the heaviest food likely to be cooked in the oven. 4. Do not place the oven where heat, moisture, or high humidity are generated, or near combustible materials. | <ol style="list-style-type: none"> 5. For correct operation, the oven must have sufficient airflow. Allow 20cm of space above the oven, 10cm at back and 5cm at both sides. Do not cover or block any openings on the appliance. Do not remove feet on which oven stands. 6. Do not operate the oven without glass tray, roller support, and shaft in their proper positions. 7. Make sure that the power supply cord is undamaged and does not run under the oven or over any hot or sharp surface. 8. The socket must be readily accessible so that it can be easily unplugged in an emergency. |
|---|---|

GROUNDING INSTRUCTIONS

This appliance must be grounded. In the event of an electrical short circuit, grounding reduces risk of electric shock by providing an escape wire for the electric current.

WARNING Improper use of the grounding plug can result in a risk of electric shock.

Consult a qualified electrician or serviceman if the grounding instructions are not completely understood, or if doubt exists as to whether the appliance is properly grounded, and either:

- 1) If it is necessary to use an extension cord, use only a 3-wire extension cord that has a 3-blade grounding plug and a 3-slot receptacle that will accept the plug on the appliance. The marked rating of the extension cord shall be equal to or greater than the electrical rating of the appliance, or
- 2) Do not use an extension cord. If the power supply cord is too short, have a qualified electrician or serviceman install an outlet near the appliance.

					说明书 SSD239A7U-PA0C0A (P90D23MXL-A7)				JS1M0609-19214-004					
标记	处数	更改单号	签字	日期										
设计	陈琴	标准化	谭银珠	图样标记	数量	重量	比例	广东格兰仕微波炉电器制造有限公司						
校对		审定	李志刚	S	A		1:1							
审核	王少云			共 15 页		第 5 页								
工艺		日期	2012-04-26											

ELECTRICAL REQUIREMENTS

The electrical requirements are a 120 volt 60 Hz, AC only, 15 amp. It is recommended that a separate circuit serving only the oven be provided. The oven is equipped with a 3-prong grounding plug. It must be plugged into a wall receptacle that is properly installed and grounded.

Power Supply Cord

1. A short power supply cord is provided to reduce the risks resulting from becoming entangled in or tripping over a longer cord.
2. Longer cord sets or extension cords are available and may be used if care is exercised in their use.
3. If long cord or extension cord is used:
 - a) The marked electrical rating of the cord set or extension cord should be at least as great as the electrical rating of the appliance.
 - b) The extension cord must be a grounding-type 3-wire cord, and The longer cord should be arranged so that it will not drape over the counter top or table top where it can be pulled on by children or tripped over unintentionally.

Notes:

If you have any questions about the grounding or electrical instructions, consult a qualified electrician or service person.

Neither Galanz nor the dealer can accept any liability for damage to the oven or personal injury resulting from failure to observe the electrical connection procedures.

UTENSILS GUIDE

This section lists which utensils can be used in the microwave, which ones have limited use for short periods, and which ones should not be used in the microwave.

RECOMMENDED

Microwave browning dish — Use to brown the exterior of small items such as steaks, chops, or pancakes. Follow the directions provided with your browning dish.

Microwaveable plastic wrap — Use to retain steam. Leave a small opening for some steam to escape and avoid placing it directly on the food.

Paper towels and napkins — Use for short-term heating and covering; these absorb excess moisture and prevent spattering. Do not use recycled paper towels, which may contain metal and could ignite.

Glass and glass-ceramic bowls and dishes — Use for heating or cooking.

Paper plates and cups — Use for short-term heating at low temperatures. Do not use recycled paper, which may contain metal and could ignite.

					说明书 SSD239A7U-PA0C0A (P90D23MXL-A7)				JS1M0609-19214-004			
标记	处数	更改单号	签字	日期								
设计	陈琴	标准化	谭银珠	图样标记	数量	重量	比例					
校对		审定	李志刚	S	A		1:1	广东格兰仕微波炉电器制造有限公司				
审核	王少云			共 15 页		第 6 页						
工艺		日期	2012-04-26									

Wax paper — Use as a cover to prevent spattering.

Thermometers — Use only those labeled "Microwave Safe" and follow all directions. Check the food in several places. Conventional thermometers may be used on microwave food once the food has been removed from the oven.

A LIMITED USE

Aluminum foil — Use narrow strips of foil to prevent overcooking of exposed areas. Using too much foil can damage your oven, so be careful. You should keep distance of 1 inch (2.54cm) between aluminum foil and cavity.

Ceramic, porcelain, and stoneware— Use these if they are labeled "Microwave Safe". If they are not labeled, test them to make sure they can be used safely.

Plastic — Use only if labeled "Microwave Safe". Other plastics can melt.

X Not Recommended

Glass jars and bottles — Regular glass is too thin to be used in a microwave. It can shatter and cause damage and injury.

Paper bags — These are a fire hazard, except for popcorn bags that are designed for microwave use.

Styrofoam plates and cups — These can melt and leave an unhealthy residue on food.

Plastic storage and food containers — Containers such as margarine tubs can melt in the microwave.

Metal utensils — These can damage your oven. Remove all metal before cooking.

Note:

Should you wish to check if a dish is safe for microwaving, place the empty dish in the oven and microwave on HIGH for 30 seconds. A dish which becomes very hot should not be used.

COOKING TECHNIQUES

Your microwave makes cooking easier than conventional cooking, provided you keep these considerations in mind:

STIRRING

Stir foods such as casseroles and vegetables while cooking to distribute heat evenly. Food at the outside of the dish absorbs more energy and heats more quickly, so stir from the outside to the center. The oven will turn off when you open the door to stir your food.

ARRANGEMENT

					说明书 SSD239A7U-PA0C0A (P90D23MXL-A7)				JS1M0609-19214-004		
标记	处数	更改单号	签字	日期							
设计	陈琴	标准化	谭银珠	图样标记	数量	重量	比例	广东格兰仕微波炉电器制造有限公司			
校对		审定	李志刚	S	A		1:1				
审核	王少云										
工艺		日期	2012-04-26	共 15 页		第 7 页					

Arrange unevenly shaped foods, such as chicken pieces or chops, with the thicker, meatier parts toward the outside of the turntable where they receive more microwave energy. To prevent overcooking, place delicate areas, such as asparagus tips, toward the center of the turntable.

SHIELDING

Shield food with narrow strips of aluminum foil to prevent overcooking. Areas that need shielding include poultry wing tips, the ends of poultry legs, and corners of square baking dishes. Use only small amounts of aluminum foil. Larger amounts can damage your oven.

TURNING

Turn foods over midway through cooking to expose all parts to microwave energy. This is especially important with large foods such as roasts.

STANDING

Foods cooked in the microwave build up internal heat and continue to cook for a few minutes after heating stops. Let foods stand to complete cooking, especially foods such as cakes and whole vegetables. Roasts need this time to complete cooking in the center without overcooking the outer areas. All liquids, such as soup or hot chocolate, should be shaken or stirred when cooking is complete. Let liquids stand a moment before serving. When heating baby food, stir well at removal and test the temperature before serving.

ADDING MOISTURE

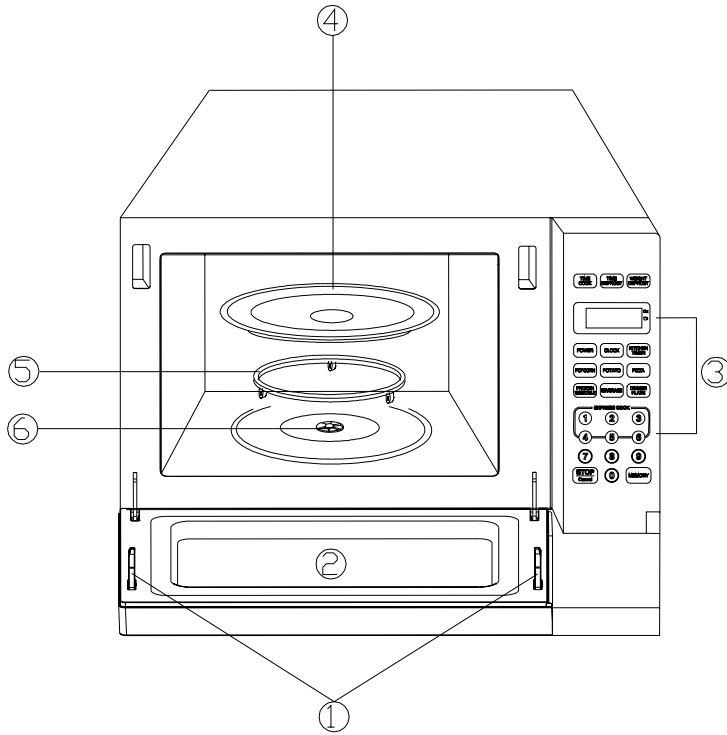
Microwave energy is attracted to water molecules. Food that is uneven in moisture content should be covered or allowed to stand so that the heat disperses evenly. Add a small amount of water to dry food to help it cook.

SPECIFICATIONS

Power Consumption:	120V~60Hz, 1350W (Microwave)
Output:	900W
Operation Frequency:	2450MHz
Outside Dimensions(H×W×D):	12×19 5/6×15 5/9in.
Oven Cavity Dimensions(H×W×D):	8 11/16×13 3/8×12 5/8 in.
Oven Capacity:	0.81cu.ft
Cooking Uniformity:	Turntable System
Net Weight:	Approx. 32 lb.

					<p style="text-align: center;">说明书 SSD239A7U-PA0C0A (P90D23MXL-A7)</p>				JS1M0609-19214-004					
标记	处数	更改单号	签字	日期										
设计	陈琴	标准化	谭银珠	图样标记					数量	重量	比例			
校对		审定	李志刚	S	A		1:1			广东格兰仕微波炉电器制造有限公司				
审核	王少云													
工艺		日期	2012-04-26	共 15 页		第 8 页								

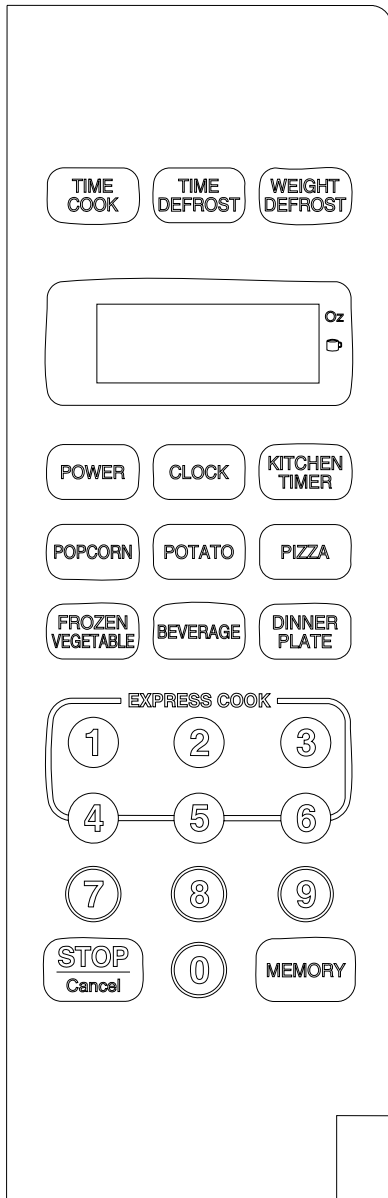
PART NAMES



1. Door Safety Lock System
2. Oven Window
3. Control Panel
4. Glass Turntable
5. Turntable support
6. Shaft

					说明书 SSD239A7U-PA0C0A (P90D23MXL-A7)				JS1M0609-19214-004	
标记	处数	更改单号	签字	日期						
设计	陈琴	标准化	谭银珠	图样标记	数量	重量	比例	广东格兰仕微波炉电器制造有限公司		
校对		审定	李志刚	S	A		1:1			
审核	王少云									
工艺		日期	2012-04-26	共 15 页		第 9 页				

CONTROL PANEL



- **TIME COOK**
 - ◇ Use to set cooking time.
- **TIME DEFROST**
 - ◇ Press the button to program defrosting based on the time entered.
- **WEIGHT DEFROST**
 - ◇ Programmed defrosting based on the weight of the foods to be defrosted.
- **DISPLAY**
 - ◇ Cooking time, power, indicators and present time are displayed.
- **POWER**
 - ◇ Press the button to set microwave power level.
- **CLOCK**
 - ◇ Use to set clock time.
- **KITCHEN TIMER**
 - ◇ Use to set the kitchen timer.
- **QUICK COOK BUTTON**
 - ◇ Instant settings to cook popular foods.
- **NUMBER PADS(0-9)**
 - ◇ Touch to set time or amount.
- **STOP/CANCEL**
 - ◇ Press to cancel setting or reset the oven before setting a cooking program.
 - ◇ Press once to temporarily stop cooking, or twice to cancel cooking altogether.
 - ◇ It is also used for setting child lock.
- **MEMORY**
 - ◇ Use this button to set a multistage cooking program.

					说明书				JS1M0609-19214-004			
					SSD239A7U-PA0C0A							
					(P90D23MXL-A7)							
标记	处数	更改单号	签字	日期								
设计	陈琴	标准化	谭银珠		图样标记	数量	重量	比例				
校对		审定	李志刚		S	A		1:1	广东格兰仕微波炉电器制造有限公司			
审核	王少云											
工艺		日期	2012-04-26	共 15 页		第 10 页						

HOW TO SET THE OVEN CONTROLS

SETTING DIGITAL CLOCK

With the oven ready for input, press the CLOCK button to set the digital clock in 12 or 24 hours cycle.

1. Choose to set the clock in 12 or 24-hour cycle by touching the CLOCK.
2. Use the number pads to enter time.
3. Press CLOCK to confirm.

QUICK START

Use this feature to program the oven to start at 100% power conveniently. The max time can be set is 10minutes. During cooking, you can also press this pad to add cooking time.

1. Open the door and place the food into the oven, close it.
2. Press Start/Quick Start button in quick succession to set the cooking time. The oven will auto-start immediately.

MICROWAVE COOKING

The longest cooking time is 99 minutes 99 seconds.

You can select cooking power by touching POWER LEVEL:

Press The Button	Cooking Power
Once	100%
Twice	80%
3 times	60%
4 times	40%
5 times	20%
6 times	0%

For example, suppose you want to cook for 1 minute at 60% of microwave power.

1. Place food in the oven.
2. Press TIME COOK button.
3. Use the number pads to enter time.
4. Press POWER button to select cooking power.
5. Close the oven door.

					说明书 SSD239A7U-PA0C0A (P90D23MXL-A7)				JS1M0609-19214-004		
标记	处数	更改单号	签字	日期							
设计	陈琴	标准化	谭银珠	图样标记	数量	重量	比例	广东格兰仕微波炉电器制造有限公司			
校对		审定	李志刚	S	A		1:1				
审核	王少云										
工艺		日期	2012-04-26	共 15 页		第 11 页					

6. Press START/QUICK START.

+30SEC

If the you feeling in the microwave cooking cooking time too short, you can press +30 SEC butoon to adding time, according to a increase every 30 seconds

EXPRESS COOK

Cook for a small amount of food fast cooking.

1. Place food in the oven.
2. Press number pads to once.
3. Close the oven door.
4. Press START/QUICK START.

KITCHEN TIMER

The kitchen timer is used to set a countdown time for the convenience of the user to use it as a reminder of the thing that he want to do.

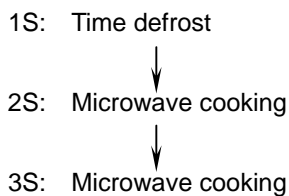
For example: if the user want to set the timer of 20 minutes.

1. Place food in the oven.
2. Press KITCHEN TIMER once.
3. Use the number pads to set the needed time.
4. Close the oven door.
5. Press START/QUICK START.

MULTI STAGE COOKING

Your oven can be programmed for up to 3 automatic cooking sequences. Some recipes may require setting a multi-stage program involving defrosting.

Suppose you want to set the following cooking program.



1. Place food in the oven.
2. Input a speed defrosting program without starting.
3. Press MEMORY button once.

					说明书 SSD239A7U-PA0C0A (P90D23MXL-A7)				JS1M0609-19214-004					
标记	处数	更改单号	签字	日期										
设计	陈琴	标准化	谭银珠	图样标记	数量	重量	比例	广东格兰仕微波炉电器制造有限公司						
校对		审定	李志刚	S	A		1:1							
审核	王少云													
工艺		日期	2012-04-26	共 15 页	第 12 页									

4. Input a microwave cooking program without starting.
5. Press MEMORY button
6. Input another microwave cooking program.
7. Close the oven door.
8. Press START/QUICK START button.

TIME DEFROST

You can input a speed defrost program based on time. The longest defrosting time is 95 minutes 99 seconds.

For example, suppose you want to defrost food for 20 minutes.

1. Place the food to be defrosted into the oven.
2. Press TIME SPEED once.
3. Press number pads to enter defrosting time.
4. Close the oven door.
5. Press START/QUICK START.

WEIGHT DEFROST

The oven could be used to defrost food on the weight you entered. The defrosting time and power level are automatically set once the weight is programmed. The maximum weight of food is 1 OZ~99 OZ.

Steps:

1. Place the food to be defrosted into the oven.
2. Press WEIGHT DEFROST once.
3. Press WEIGHT DEFROST to select a weight matches up to your food.
4. Close the oven door.
5. Touch START/QUICK START.

AUTO COOK

For food or the following cooking mode, it is not necessary to program the duration and the cooking power. It is sufficient to indicate the type of food that you wish to cook as well as the weight of this food.

You may need to turn food over at the middle of cooking time to obtain uniform cooking.

For example: to cook 80% of pizza.

1. Press the PIZZ button to once.
2. Press WEIGHT DEFROST to select food weight matches up to your food.
3. Close the oven door.
4. Touch START/QUICK START.

Auto Cook Menu

					说明书 SSD239A7U-PA0C0A (P90D23MXL-A7)				JS1M0609-19214-004		
标记	处数	更改单号	签字	日期							
设计	陈琴	标准化	谭银珠	图样标记	数量	重量	比例	广东格兰仕微波炉电器制造有限公司			
校对		审定	李志刚	S	A		1:1				
审核	王少云										
工艺		日期	2012-04-26	共 15 页		第 13 页					

CODE	Menu	Note
1	POPCORN(oz.)	1. The detailed weight that oven can cook, please refer to the digits on display screen of oven. 2. The result of auto cook depends on factors such as the shape and size of food, your personal preference as to the doneness of certain foods and even how well you happen to place food in the oven. If you find the result at any rate not quite satisfactory, please adjust the cooking time a little bit accordingly.
2	POTATO (lb.)	
3	PIZZA (oz.)	
4	FROZEN VEGETABLE (oz.)	
5	BEVERAGE (lb.)	
6	DINNER PLATE (oz.)	

CHILD LOCK

Use to prevent unsupervised operation of the oven by little children. The CHILD LOCK indicator will show up on display screen, and the oven can not be operated while the CHILD LOCK is set.

To set the CHILD LOCK: Press and hold the STOP/CANCEL button for 3 seconds, a beep sounds and LOCK indicator lights.

To cancel the CHILD LOCK: Press and hold the STOP/CANCEL button for 3 seconds until lock indicator on display goes off.

					说明书 SSD239A7U-PA0C0A (P90D23MXL-A7)				JS1M0609-19214-004		
标记	处数	更改单号	签字	日期							
设计	陈琴	标准化	谭银珠	图样标记	数量	重量	比例	广东格兰仕微波炉电器制造有限公司			
校对		审定	李志刚	S	A		1:1				
审核	王少云										
工艺		日期	2012-04-26	共 15 页		第 14 页					

CLEANING AND CARE

1. Turn off the oven and remove the power plug from the wall socket before cleaning.
2. Keep the inside of the oven clean. When food splatters or spilled liquids adhere to oven walls, wipe with a damp cloth. Mild detergent may be used if the oven gets very dirty. Avoid the use of spray and other harsh cleaners as they may stain, streak or dull the door surface.
3. The outside surfaces should be cleaned with a damp cloth. To prevent damage to the operating parts inside the oven, water should not be allowed to seep into the ventilation openings.
4. Wipe the door and window on both sides, the door seals and adjacent parts frequently with a damp cloth to remove any spills or spatters. Do not use abrasive cleaner.
5. Do not allow the control panel to become wet. Clean with a soft, damp cloth. When cleaning the control panel, leave oven door open to prevent oven from accidentally turning on.
6. If steam accumulates inside or around the outside of the oven door, wipe with a soft cloth. This may occur when the microwave oven is operated under high humidity condition. And it is normal.
7. It is occasionally necessary to remove the glass tray for cleaning. Wash the tray in warm sudsy water or in a dishwasher.
8. The roller ring and oven floor should be cleaned regularly to avoid excessive noise. Simply wipe the bottom surface of the oven with mild detergent. The roller ring may be washed in mild sudsy water or dishwasher. When removing the roller ring from cavity floor for cleaning, be sure to replace in the proper position.
9. Remove odors from your oven by combining a cup of water with the juice and skin of one lemon in a deep microwaveable bowl, microwave for 5 minutes. Wipe thoroughly and dry with a soft cloth.
10. When it becomes necessary to replace the oven light, please consult a dealer to have it replaced.
11. The oven should be cleaned regularly and any food deposits removed. Failure to maintain the oven in a clean condition could lead to deterioration of the surface that could adversely affect the life of the appliance and possibly result in a hazardous situation.
12. Please do not dispose this appliance into the domestic rubbish bin, it should be disposed to the particular disposal center provided by the municipalities.

					说明书 SSD239A7U-PA0C0A (P90D23MXL-A7)				JS1M0609-19214-004			
标记	处数	更改单号	签字	日期								
设计	陈琴	标准化	谭银珠	图样标记	数量	重量	比例					
校对		审定	李志刚	S	A		1:1	广东格兰仕微波炉电器制造有限公司				
审核	王少云			共 15 页		第 15 页						
工艺		日期	2012-04-26									