



Installation Note

Gallagher T12 Reader



This equipment contains components that can be damaged by electrostatic discharge. Ensure both you and the equipment are earthed before beginning any servicing.



Gallagher T12 Multi Tech Readers only: Using dual technology 125/Mifare cards with Gallagher T12 Multi Tech Readers may cause both card technologies to be read, resulting in double card badges and unusual reader feedback. Gallagher strongly recommends against using dual technology 125/Mifare cards with Gallagher Multi Tech Readers for sites running pre-Command Centre v7.00 software (due for release 2nd half, 2011). From Command Centre v7.00, a site may specify which technology a Multi Tech reader should read off a dual technology card.



The Gallagher T12 Reader

The Gallagher T12 Reader is a smart card proximity reader. It can be installed as either an entry reader or exit reader. It can be mounted on a BS 4662 British Standard square flush box.

The reader can read Mifare DESFire EV1, Mifare Plus and Mifare Classic cards. The Multi Tech variant can also read 125Khz cards.

The reader sends information to the Cardax FT Controller and acts upon information sent from the Cardax FT Controller. The reader itself does not make any access decisions.

The Gallagher T12 Reader uses the “Cardax IV Reader” communications protocol to communicate with the Cardax FT Controller.

Before you begin

Shipment Contents

Check the shipment contains the following items:

- 1 x Gallagher T12 Reader fascia assembly
- 1 x Gallagher T12 Reader base
- 1 x M3 Torx Post Security screw
- 2 x M3.5 Phillips drive fixing screws
- 4 x 25mm No.6 self tapping, pan head, Phillips drive fixing screws
- 4 x 40mm No.6 self tapping, pan head, Phillips drive fixing screws

Power Supply

The Gallagher T12 Reader is designed to operate over a supply voltage range of 9 - 16Vdc measured at the reader terminals. The operating current draw is dependant on the supply voltage at the reader. For the Standard variant at 12Vdc the current draw is 89mA (standby). During card read, beeper and LED activity, the current will momentarily reach 124mA (peak). For the Multi Tech variant at 12Vdc the current draw is 88mA (standby) and will momentarily reach 140mA (peak).

The power source should be linear or a good quality switched-mode power supply. The performance of the reader may be affected by a low quality, noisy power supply.

Cabling

The Gallagher T12 Reader requires a minimum cable size of 4 core 24 AWG (0.2mm²) stranded security cable. This cable allows the transmission of data (2 wires) and power (2 wires). When using a single cable to carry both power supply and data, both the power supply voltage drop and data requirements must be considered. Although the reader is specified to operate at 9Vdc, for good engineering design it is recommended that the voltage at the reader should be approximately 12Vdc.

Examples of approved cables for connecting a single Gallagher T12 Reader to a Controller and power supply, showing maximum cable lengths for each type of cable and the associated circuits are:

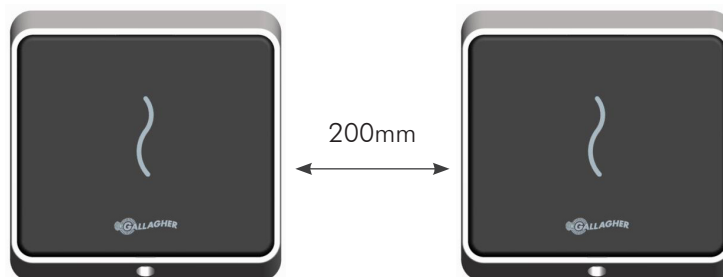
Manufacturer reference	Cable format*	Combined power and data in a single cable	Data only in a single cable
CAT5E	4 twisted pair Each 2 x 0.2mm ² (24 AWG)	100m (330ft)	300m (1000ft)
SEC472	4 x 0.2mm ² Not twisted pairs (24 AWG)	100m (330ft)	250m (800ft)
SEC4142	4 x 0.4mm ² Not twisted pairs (21 AWG)	150m (500ft)	150m (500ft)
BELDEN 8723	2 twisted pair Each 2 x 0.4mm ² (22 AWG)	100m (330ft)	150m (500ft)
BELDEN 9842	2 twisted pair Each 2 x 0.2mm ² (24 AWG)	100m (330ft)	200m (650ft)

* The matching of wire sizes to equivalent wire gauges are only approximate.

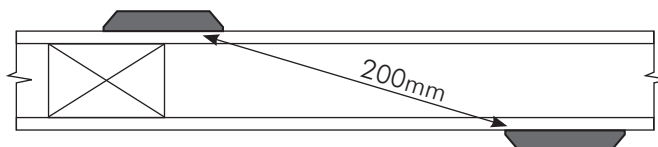
Note: Grounding shielded cable may reduce the obtainable cable length by 25% to 30%.

Distance between Proximity Readers

The distance separating any two proximity readers must not be less than 200mm (8 inches) in all directions.



When mounting a proximity reader on an internal wall, check that any reader fixed to the other side of the wall is not less than 200mm (8 inches) away.



Installation

The Gallagher T12 Reader is designed to be mounted on a standard British electrical flush box, or any solid flat surface. However installation on metal surfaces, particularly those with a large surface area will reduce read range. The extent to which the range is reduced will depend upon the type of metal used.

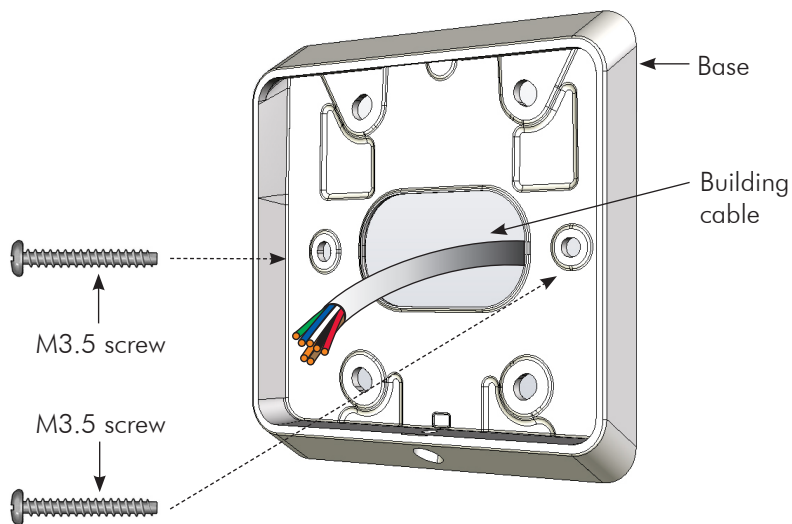
The recommended mounting height for the reader is 1.1 m (3.6ft) from the floor level to the centre of the reader device. However this may vary in some countries and you should check local regulations for variations to this height.

1. Ensure the building cable has been run out through the flush box.

If you are not mounting to a flush box, use the drill template at the back of this installation note as a guide, to drill all five holes. Drill the 13mm (1/2 inch) diameter centre hole (this is the centre hole for which the building cable will exit the mounting surface) and the four fixing holes.

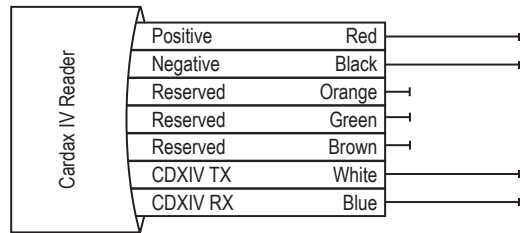
2. Run the building cabling through the reader base.
3. Secure the base to the flush box using the two M3.5 screws provided. It is important the base of the reader is flush with and tight against the mounting surface.

If you are not mounting to a flush box, secure the base to the mounting surface using the four fixing screws provided.



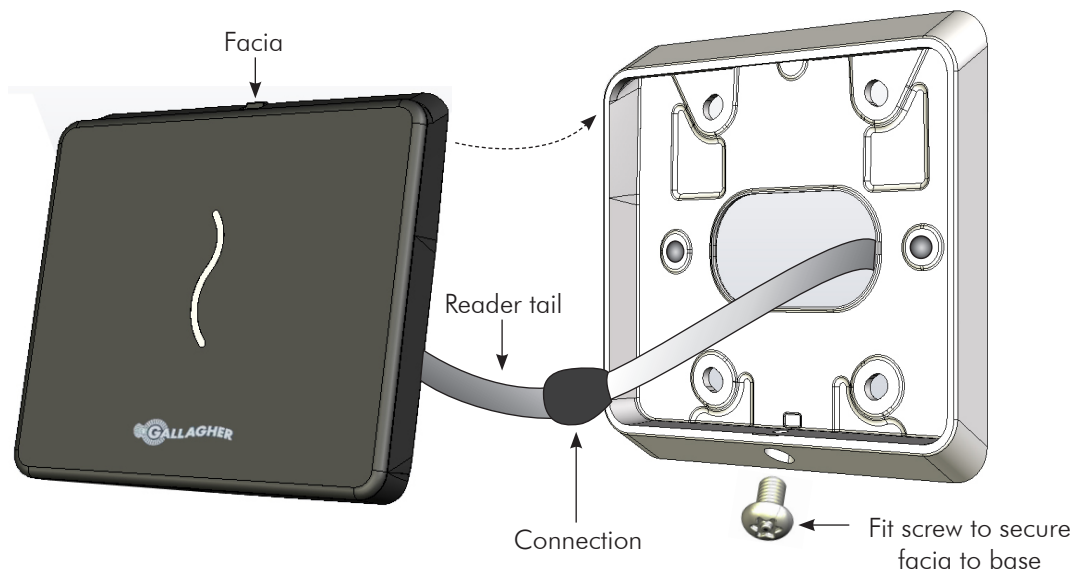
4. Connect the reader tail extending from the facia assembly to the building cable. Connect the wires shown below.

Note: Do not cut the 'Reserved' wires, as these may be used for future functions.



- Fit the fascia assembly into the base by clipping the small lip, into the top of the base and holding the top, press the bottom of the fascia assembly down into the base.
- Insert the M3 Torx Post Security screw (using a T10 Torx Post Security screwdriver) through the hole at the bottom of the base to secure the fascia assembly.

Note: The recommended torque for the security screw is 0.7Nm (0.5 lb/ft). It is important not to exceed the maximum torque of 1.5Nm (1.1 lb/ft).



- Removal of the fascia assembly is a simple reversal of these steps.

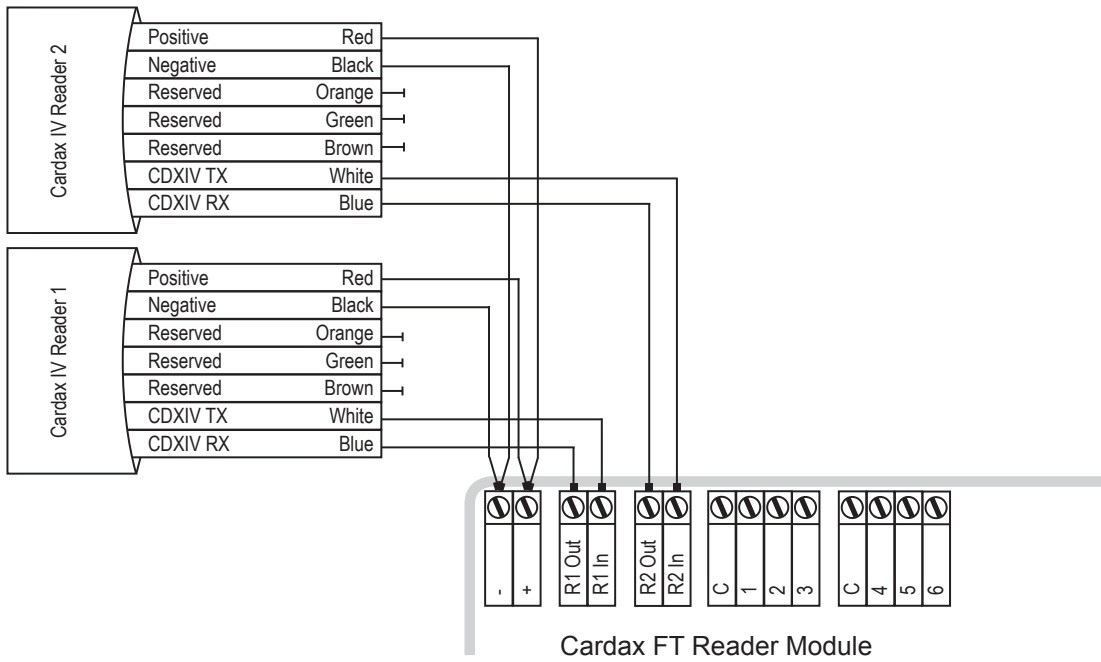
Connections

A Gallagher T12 Reader can connect to one of the following devices using the "Cardax IV Reader" communications protocol:

- Cardax FT Reader Module (for the Controller 6000)
- Cardax FT GBUS Universal Reader Interface (Cardax FT GBUS URI)
- Cardax FT Controller 3000-4R or 3000-8R
- Cardax FT Universal Reader Interface (Cardax FT URI)
- Cardax FT Reader I/O Interface

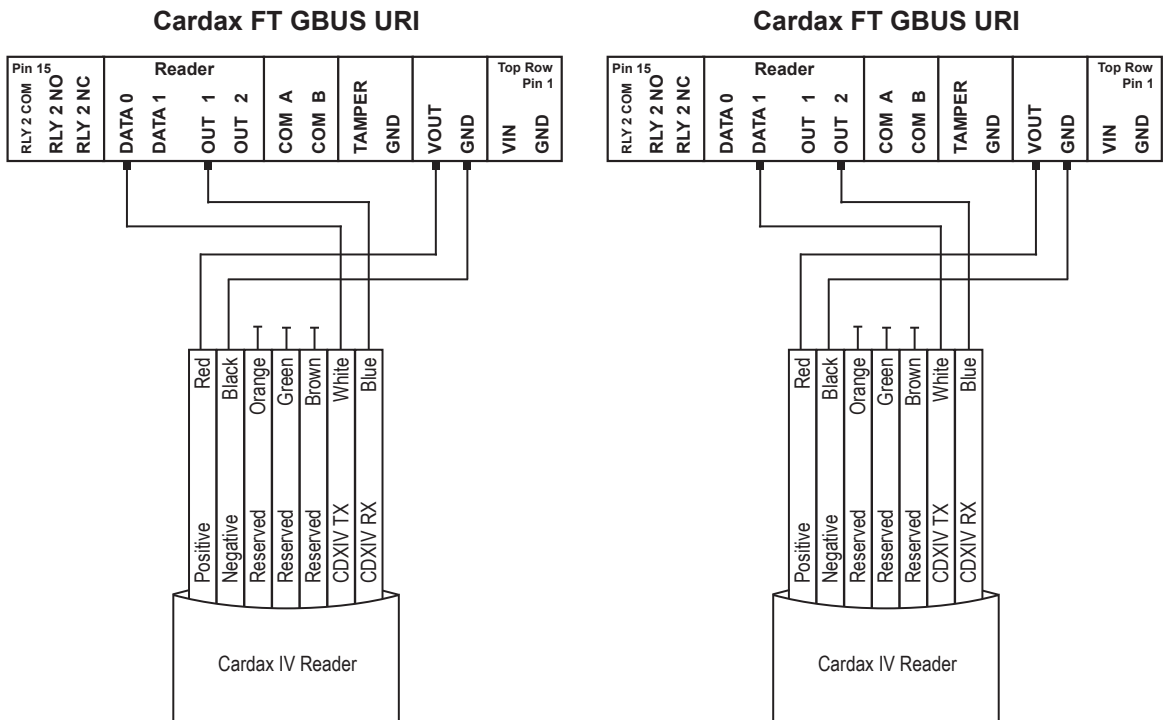
Connecting to the Cardax FT Reader Module (for the Controller 6000)

Connect the wires to the sockets as shown:



Connecting to the Cardax FT GBUS Universal Reader Interface

Connect the wires to the sockets as shown in either of the following diagrams:

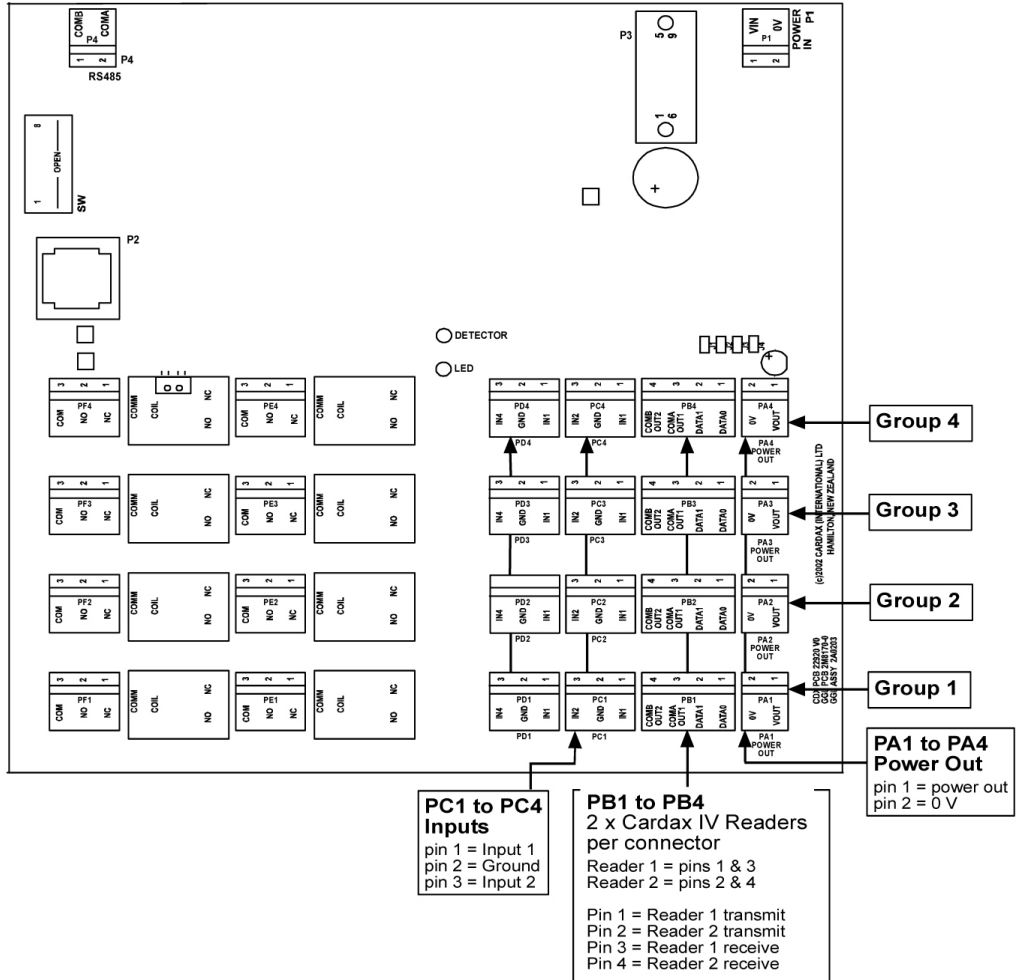


Connecting to the Cardax FT Controller 3000-4R or 3000-8R

The ports to which the Gallagher T12 Reader can connect are set up as groups, as follows:

- Two groups (numbered 1 and 2) on the Controller 3000-4R, and
- Four groups (numbered 1 to 4) on the Controller 3000-8R

Each group provides connection for two Gallagher T12 Readers. Refer to the following diagram for the location of the ports on the Cardax FT Controller 3000-8R.

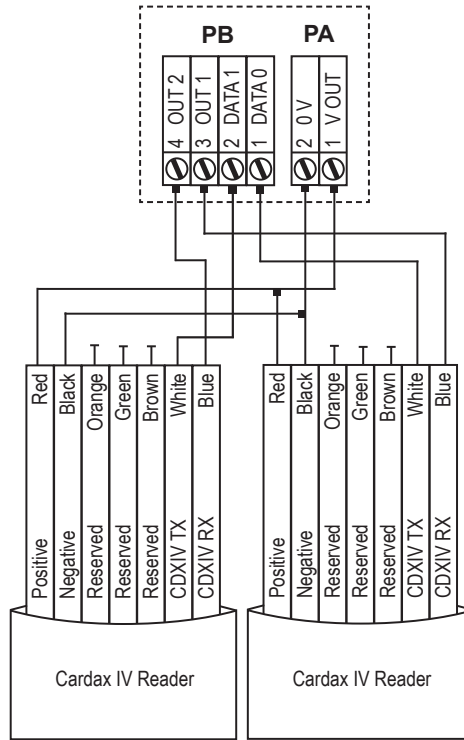


Make the connections from the Gallagher T12 Reader to either the Cardax FT Controller 3000-4R or 3000-8R as shown:

Cardax FT Controller 3000-4R or 3000-8R

Group

**PB1 and PA1... to... PB2 and PA2 (3000-4R)
PB4 and PA4 (3000-8R)**



Note: Within each group, you cannot mix Cardax IV readers with Wiegand Readers. This is because connecting one Wiegand reader requires all four pins on plug PB. For example, if you connect a Cardax IV reader to Port 1 of Group 1, Port 2 of Group 1 can only connect to another Cardax IV reader.

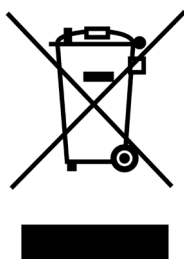
Technical Specifications

Technical Specifications	
Routine maintenance:	Not applicable for this reader
Cleaning:	This reader should only be cleaned with a clean, lint free, damp cloth
Power required:	Voltage: 9Vdc - 16Vdc
	Current (at 12Vdc): 89mA (standby) Standard variant 124mA (peak) Standard variant 88mA (standby) Multi Tech variant 140mA (peak) Multi Tech variant
Environmental:	Temperature Range: -30°C to +70°C Note: Direct sunlight may increase the internal reader temperature above the ambient temperature level.
	Humidity: 95% non-condensing
	Environmental Protection: IP68
	Impact Rating: IK07

Approvals and Standards

RoHS COMPLIANT

This product complies with the environmental regulations for the Restriction of Hazardous Substances in electrical and electronic equipment (RoHS). The RoHS directive prohibits the use of electronic equipment containing certain hazardous substances in the European Union.



This symbol on the product or its packaging indicates that this product must not be disposed of with other waste. Instead, it is your responsibility to dispose of your waste equipment by handing it over to a designated collection point for the recycling of waste electrical and electronic equipment. The separate collection and recycling of your waste equipment at the time of disposal will help conserve natural resources and ensure that it is recycled in a manner that protects human health and the environment. For more information about where you can drop off your waste equipment for recycling, please contact your local city recycling office or the dealer from whom you purchased the product.



ACN 002 132 943

FCC

This device complies with part 15 of the FCC Rules. Operation is subject to the following two conditions: (1) This device may not cause harmful interference, and (2) this device must accept any interference received, including interference that may cause undesired operation.

Note: Changes or modifications not expressly approved by Gallagher Group Limited could void the user's authority to operate this equipment.

Drill Template

