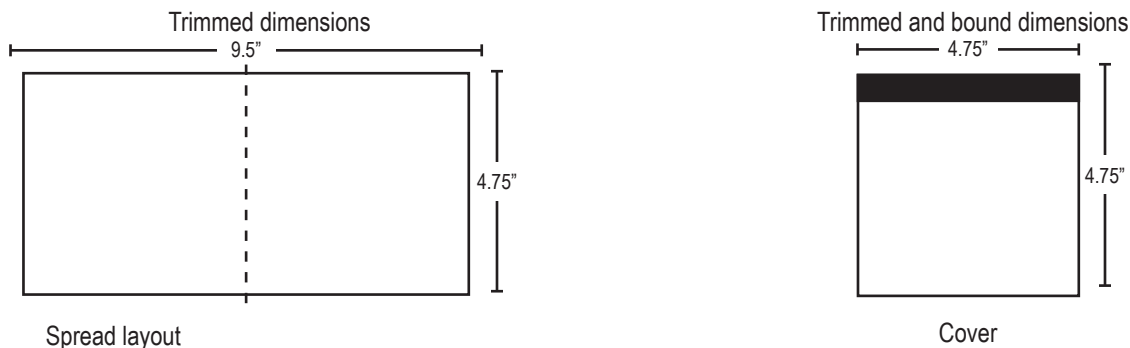


**SPECIFICATION
CONTROL
DRAWING**

Revisions			
Rev.	Date	Description	ECO No.
A	8/10/06	Production Release	----
B	8/6/07	Revised and Redrawn; Added statement to Warranty	46507
C	11/5/07	Revised and Redrawn; Added FM Transmitter statement	48452

Dimensions and drawings for reference only. Drawings are not to scale.



Specifications

1. Description Product documentation, ISPI, Lithium, Auto, EN
2. Size Finished, Bound: Width = 4.75", Height = 4.75".
3. Tolerance $\pm 0.0787"$ (± 2 mm)
4. Pagination 4 pages
5. Material 80-lb Woodfree, white
6. Finish None
7. Color Text: Black and white
8. Bindery N/A
9. Folds N/A
10. Electronic Artwork Shall conform to Garmin Archive 190-00720-01_OC.zip
11. Notes

Files

The following files have been archived under the above ARCHIVE FILENAME.

File Name	File Contents
190-00720-01_OC.indd	InDesign CS2 for PC, Formatted manual
190-00720-01_OC_Spec.indd	InDesign CS2 for PC, Document specification sheet
190-00720-01_OC.pdf	Portable Document Format, Manual and specification sheet
Links	Graphic files (eps, bmp, etc.)
Fonts	Font files
ISPI_Lith_Auto_EN.pdf	Portable Document Format, for online

<p>CONFIDENTIAL</p> <p>This drawing and the specifications contained herein are the property of Garmin Ltd. or its subsidiaries and may not be reproduced or used in whole or in part as the basis for manufacture or sale of products without written permission.</p>			<p>Garmin Ltd. or its subsidiaries C/O Garmin International, Inc. 1200 E. 151st Street Olathe, Kansas 66062 U.S.A.</p>		
<p>TITLE</p> <p>ISPI, Lithium, Auto, EN</p>					
Drawn By:	Initials	Date	SIZE	PART NO:	REV:
Checked By:	KEG	8/3/06	A	190-00720-01	C
Project Manager:	JHM	8/3/06	SCALE		Sht. Of
Approved By:	BP	8/3/06	N/A		1 5
	SMP	8/4/06			



GARMINTM

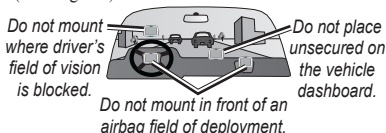
IMPORTANT SAFETY AND PRODUCT INFORMATION



Warnings

Failure to avoid the following potentially hazardous situations could result in an accident or collision resulting in death or serious injury.

- When installing the unit in a vehicle, place the unit securely so it does not obstruct the driver's view of the road or interfere with vehicle operating controls, such as the steering wheel, foot pedals, or transmission levers. Do not place in front of or above any airbag. (See diagram.)



- When navigating, carefully compare information displayed on the unit to all available navigation sources, including information from street signs,

visual sightings, and maps. For safety, always resolve any discrepancies or questions before continuing navigation and defer to posted road signs.

- Always operate the vehicle in a safe manner. **Do not become distracted by the unit while driving, and always be fully aware of all driving conditions.** Minimize the amount of time spent viewing the unit's screen while driving and use voice prompts when possible. Do not input destinations, change settings, or access any functions requiring prolonged use of the unit's controls while driving. Pull over in a safe and legal manner before attempting such operations.
- The unit is designed to provide route suggestions. It is not designed to replace the need for driver attentiveness regarding road closures or road conditions, traffic congestion, weather conditions, or other factors that may affect safety while driving.

Battery Warnings

If these guidelines are not followed, the internal lithium-ion battery may experience a shortened life span or may present a risk of damage to the GPS unit, fire, chemical burn, electrolyte leak, and/or injury.

- Contact your local waste disposal department to properly dispose of the unit/battery.

- Do not leave the unit exposed to a heat source or in a high temperature location, such as in the sun in an unattended vehicle on a hot day. To prevent damage, remove the unit from the vehicle or store it out of direct sunlight, such as in the glove box.
- Do not puncture or incinerate.





- When storing the unit for a limited length of time, store within the following temperature range: -4° to 140°F (-20° to 60°C). When storing the unit for an extended time, store within the following temperature range: 32° to 77°F (0° to 25°C).
- Do not operate the unit outside of the following temperature range: -4° to 131°F (-20° to 55°C).

NOTE: Refer to the **Specifications** section in your product's owner's manual to determine if the lithium-ion battery in your specific Garmin product is replaceable.

If this unit contains a non-user-replaceable, rechargeable lithium-ion battery, **do not remove or attempt to remove the battery.**

If this unit contains a replaceable, rechargeable lithium-ion battery, the following warnings also apply:

- Do not recharge the battery out of the unit or disassemble the battery.
- Keep the used battery away from children. Do not disassemble, puncture, or damage the battery.
- Only replace with a Garmin lithium-ion battery pack. Using another battery presents a risk of fire or explosion. To purchase a replacement battery, see your Garmin dealer or the Garmin Web site.

WARNING: This product, its packaging, and its components contain chemicals known to the State of California to cause cancer, birth defects, or reproductive harm. This notice is provided in accordance with California's Proposition 65. See www.garmin.com/prop65 for more information.

Important Information

MAP DATA INFORMATION: One of the goals of Garmin is to provide customers with the most complete and accurate cartography that is available to us at a reasonable cost. We use a combination of governmental

and private data sources, which we identify in product literature and copyright messages displayed to the consumer. Virtually all data sources contain some inaccurate or incomplete data. In some countries, complete and accurate map information is either not available or is prohibitively expensive.

NOTICE REGARDING WINDSHIELD MOUNTING; SPECIAL NOTICE TO DRIVERS

IN CALIFORNIA AND MINNESOTA: State law prohibits drivers in California and Minnesota from using suction mounts on their windshields while operating motor vehicles. Check your state and local laws and ordinances for similar restrictions. Other Garmin dashboard or friction mounting options should be used. Garmin does not take any responsibility for any fines, penalties, or damages that may be incurred as a result of disregarding this notice or as a result of any other state or local law or ordinance relating to use of the unit. (See California Vehicle Code Section 26708(a); Minnesota Statutes 2005, Section 169.71.)

The **California Electronic Waste Recycling Act of 2003** requires the recycling of certain electronics. For more information on the applicability to this product, see www.erecycle.org.

Caring for the Screen

Clean the screen with water, isopropyl alcohol, or eyeglass cleaner; do not use cleaners containing ammonia, which can harm the coating on the screen.

If the unit has a touch screen, follow these guidelines as well:

- The touch screen is intended for finger operation.
- Although a PDA stylus may also be used to operate the touch screen, never attempt this while operating a





vehicle.

- Never use a hard or sharp object to operate the touch screen or damage may result.

European FM Transmitter Licensing Information

The FM transmitter in this unit (if this unit contains an FM transmitter) is intended for operation under a general license or license exemption in the countries listed below. The spectrum authority in each country has been notified of the marketing of this product in the country.

Belgique	Italia	Slovenija
Česká republika	Latvija	Slovensko
Danmark	Lietuva	Suisse
Deutschland	Luxembourg	Suomi
Eesti	Magyarország	Sverige
Éire	Malta	United Kingdom
España	Nederland	Ελλάδα
France	Norge	Κύπρος
Ísland	Österreich	
	Portugal	

FCC Compliance

This device complies with part 15 of the FCC Rules. Operation is subject to the following two conditions: (1) this device may not cause harmful interference, and (2) this device must accept any interference received, including interference that may cause undesired operation.

This equipment has been tested and found to comply with the limits for a Class B digital device, pursuant to part 15 of the FCC rules. These limits are designed to provide reasonable protection against harmful

interference in a residential installation. This equipment generates, uses, and can radiate radio frequency energy and may cause harmful interference to radio communications if not installed and used in accordance with the instructions. However, there is no guarantee that interference will not occur in a particular installation. If this equipment does cause harmful interference to radio or television reception, which can be determined by turning the equipment off and on, the user is encouraged to try to correct the interference by one of the following measures:

- Reorient or relocate the receiving antenna.
- Increase the separation between the equipment and the receiver.
- Connect the equipment into an outlet that is on a different circuit from the GPS unit.
- Consult the dealer or an experienced radio/TV technician for help.

This product does not contain any user-serviceable parts. Repairs should only be made by an authorized Garmin service center. Unauthorized repairs or modifications could result in permanent damage to the equipment, and void your warranty and your authority to operate this device under Part 15 regulations.

Industry Canada Compliance

Category I radiocommunication devices comply with Industry Canada Standard RSS-210. Category II radiocommunication devices comply with Industry Canada Standard RSS-310.

Limited Warranty

This Garmin product is warranted to be free from defects in materials or workmanship for one year from the date of purchase. Within this period, Garmin will, at its sole option, repair or replace any components that





fail in normal use. Such repairs or replacement will be made at no charge to the customer for parts or labor, provided that the customer shall be responsible for any transportation cost. This warranty does not cover failures due to abuse, misuse, accident, or unauthorized alteration or repairs.

This product is intended to be used only as a travel aid and must not be used for any purpose requiring precise measurement of direction, distance, location or topography. Garmin makes no warranty as to the accuracy or completeness of map data in this product.

THE WARRANTIES AND REMEDIES CONTAINED HEREIN ARE EXCLUSIVE AND IN LIEU OF ALL OTHER WARRANTIES EXPRESS, IMPLIED, OR STATUTORY, INCLUDING ANY LIABILITY ARISING UNDER ANY WARRANTY OF MERCHANTABILITY OR FITNESS FOR A PARTICULAR PURPOSE, STATUTORY OR OTHERWISE. THIS WARRANTY GIVES YOU SPECIFIC LEGAL RIGHTS, WHICH MAY VARY FROM STATE TO STATE.

IN NO EVENT SHALL GARMIN BE LIABLE FOR ANY INCIDENTAL, SPECIAL, INDIRECT, OR CONSEQUENTIAL DAMAGES, WHETHER RESULTING FROM THE USE, MISUSE, OR INABILITY TO USE THIS PRODUCT OR FROM DEFECTS IN THE PRODUCT. SOME STATES DO NOT ALLOW THE EXCLUSION OF INCIDENTAL OR CONSEQUENTIAL DAMAGES, SO THE ABOVE LIMITATIONS MAY NOT APPLY TO YOU.

Garmin retains the exclusive right to repair or replace

the unit or software or offer a full refund of the purchase price at its sole discretion. SUCH REMEDY SHALL BE YOUR SOLE AND EXCLUSIVE REMEDY FOR ANY BREACH OF WARRANTY.

To obtain warranty service, contact your local Garmin authorized dealer or call Garmin Product Support for shipping instructions and an RMA tracking number. Securely pack the unit and a copy of the original sales receipt, which is required as the proof of purchase for warranty repairs. Write the tracking number clearly on the outside of the package. Send the unit, freight charges prepaid, to any Garmin warranty service station.

Online Auction Purchases: Products sold through online auctions are not eligible for rebates or other special offers from Garmin. Online auction confirmations are not accepted for warranty verification. To obtain warranty service, an original or copy of the sales receipt from the original retailer is required. Garmin will not replace missing components from any package purchased through an online auction.

International Purchases: A separate warranty is provided by international distributors for units purchased outside the United States. This warranty is provided by the local in-country distributor and this distributor provides local service for your unit. Distributor warranties are only valid in the area of intended distribution. Units purchased in the United States or Canada must be returned to the Garmin service center in the United Kingdom, the United States, Canada, or Taiwan for service.

© 2006–2007 Garmin Ltd. or its subsidiaries

November 2007

Part Number 190-00720-01 Rev. C

Printed in Taiwan

