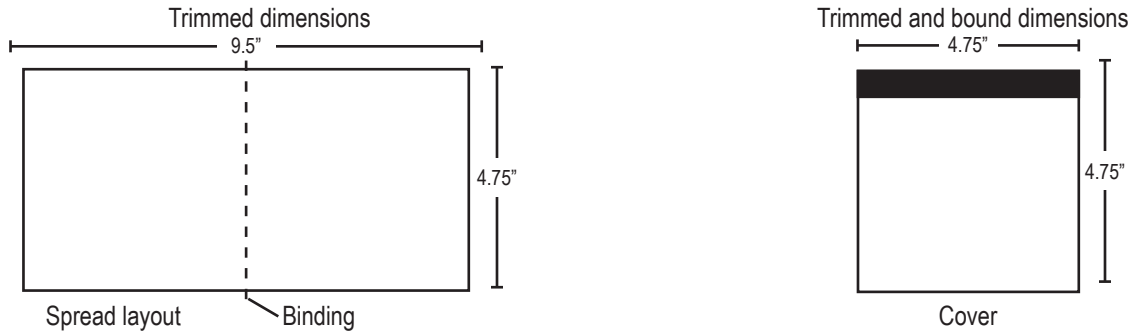


SPECIFICATION CONTROL DRAWING	Revisions			
	Rev.	Date	Description	ECO No.
	A	4/15/10	Initial Release	----
	B	6/7/10	Added GOST mark & update limited warranty	72596
	C	7/12/11	Updated Industry Canada statement	83171
D	10/25/11	Added Australian warranty text	85765	

Dimensions and drawings for reference only. Drawings are not to scale.




Specifications

- | | |
|------------------------|---|
| 1. Description | Product documentation, ISPI, Lithium, Auto, 12 Languages |
| 2. Size | Finished, Bound: Width = 4.75", Height = 4.75". |
| 3. Tolerance | ±0.0787" (±2 mm) |
| 4. Pagination | 36 pages |
| 5. Material | 80-lb Woodfree, white. Approved equivalents allowed. |
| 6. Finish | None |
| 7. Color | Text: Black and white |
| 8. Bindery | Saddle-stitched. Approved equivalents allowed. |
| 9. Folds | N/A |
| 10. Electronic Artwork | Shall conform to Garmin Archive 190-00720-90_0D.zip |
| 11. Notes | This part shall comply with Garmin Banned & Restricted Substances (GPN 001-00211-00). |
| 12. Languages | EN, FR, IT, DE, ES, PT, NL, DA, FI, NO, SV, PL |

Files

The following files have been archived under the above ARCHIVE FILENAME.

File Name	File Contents
190-00720-90_0D.indd	InDesign CS4 for PC, Formatted manual
190-00720-90_0D_Spec.indd	InDesign CS4 for PC, Document specification sheet
190-00720-90_0D.pdf	Portable Document Format, Manual and specification sheet
Links	Graphic files (eps, bmp, etc.)
Fonts	Font files
ISPI_Lith_Auto_12.pdf	Portable Document Format, for online

<p align="center">CONFIDENTIAL</p> <p>This drawing and the specifications contained herein are the property of Garmin Ltd. or its subsidiaries and may not be reproduced or used in whole or in part as the basis for manufacture or sale of products without written permission.</p>					<p>Garmin Ltd. or its subsidiaries C/O Garmin International, Inc. 1200 E. 151st Street Olathe, Kansas 66062 U.S.A.</p>	
			<p>TITLE</p> <p>ISPI, Lithium, Auto, 12 Languages</p>			
<p>Drawn By: TLM</p>		<p>Date: 4/15/10</p>	<p>SIZE: A</p>	<p>PART NO: 190-00720-90</p>		<p>REV: D</p>
<p>Checked By: KEG</p>		<p>Date: 04/15/10</p>	<p>SCALE: N/A</p>	<p>Sht. 1</p>	<p>Of 37</p>	
<p>Project Manager: RRJ</p>		<p>Date: 04/19/10</p>				
<p>Approved By: JKF</p>		<p>Date: 04/20/10</p>				



GARMIN®

<i>Important Safety and Product Information</i>	2
<i>Informations importantes relatives au produit et à la sécurité</i>	5
<i>Informazioni importanti sulla sicurezza e sul prodotto</i>	8
<i>Wichtige Sicherheits- und Produktinformationen</i>	11
<i>Información importante sobre el producto y tu seguridad</i>	14
<i>Informações importantes de segurança e do produto</i>	16
<i>Belangrijke veiligheids- en productinformatie</i>	19
<i>Vigtige produkt- og sikkerhedsinformationer</i>	22
<i>Tärkeitä turvallisuus- ja tuotetietoja</i>	25
<i>Viktig sikkerhets- og produktinformasjon</i>	27
<i>Viktig säkerhets- och produktinformation</i>	29
<i>Ważne informacje dotyczące bezpieczeństwa i produktu</i>	32





Important Safety and Product Information

WARNING

Failure to avoid the following potentially hazardous situations could result in an accident or collision resulting in death or serious injury.

Installation and Operation Warnings

- When installing the device in a vehicle, place the device securely so it does not obstruct the driver's view of the road or interfere with vehicle operating controls, such as the steering wheel, the foot pedals, or the transmission levers. Do not place the device in front of or above any airbag. (See diagram.)



- The windshield mount may not stay attached to the windshield in all circumstances. Do not place the mount where it will become a distraction if the mount should become detached. Keep your windshield clean to help ensure that the mount stays on the windshield.
- Always use your best judgement, and operate the vehicle in a safe manner. **Do not become distracted by the device while driving, and always be fully aware of all driving conditions.** Minimize the amount of time spent viewing the device screen while driving and use voice prompts when possible.
- Do not input destinations, change settings, or access any functions requiring prolonged use of the device controls while driving. Pull over in a safe and legal manner before attempting such operations.
- When navigating, carefully compare information displayed on the device to all available navigation sources,

including road signs, road closures, road conditions, traffic congestion, weather conditions, and other factors that may affect safety while driving. For safety, always resolve any discrepancies before continuing navigation, and defer to posted road signs and road conditions.

- The device is designed to provide route suggestions. It is not a replacement for driver attentiveness and good judgement. **Do not follow route suggestions if they suggest an unsafe or illegal maneuver or would place the vehicle in an unsafe situation.**

Battery Warnings

If these guidelines are not followed, the internal lithium-ion battery may experience a shortened life span or may present a risk of damage to the GPS device, fire, chemical burn, electrolyte leak, and/or injury.

- Do not leave the device exposed to a heat source or in a high-temperature location, such as in the sun in an unattended vehicle. To prevent damage, remove the device from the vehicle or store it out of direct sunlight, such as in the glove box.
- Do not puncture or incinerate the device or battery.
- When storing the device for an extended time, store within the following temperature range: from 32° to 77°F (from 0° to 25°C).
- Do not operate the device outside of the following temperature range: from -4° to 131°F (from -20° to 55°C).
- Contact your local waste disposal department to dispose of the device/battery in accordance with applicable local laws and regulations.

Additional User-Replaceable Battery Warnings:

- Do not use a sharp object to remove the battery.
- Keep the battery away from children.
- Do not disassemble, puncture, or damage the battery.
- If using an external battery charger, only use the Garmin accessory approved for your product.
- Only replace the battery with the correct replacement battery. Using another battery presents a risk of fire or explosion. To purchase a replacement battery, see your



Garmin dealer or the Garmin Web site.

Additional Non-User-Replaceable Battery Warning:

- Do not remove or attempt to remove the non-user-replaceable battery.

NOTICE

Windshield Mounting Legal Restrictions

Before using the suction cup mount on your windshield, check the state and local laws and ordinances where you drive. Some state laws prohibit drivers from using suction mounts on their windshields while operating motor vehicles. Other state laws allow the suction mount to be located only in specific locations on the windshield. Many other states have enacted restrictions against placing objects on the windshield in locations that obstruct the driver's vision. **IT IS THE USER'S RESPONSIBILITY TO MOUNT THE GARMIN DEVICE IN COMPLIANCE WITH ALL APPLICABLE LAWS AND ORDINANCES.** Where required, other Garmin dashboard or friction mount options should be used. Always mount your Garmin device in a location that does not obstruct the driver's view of the road. Garmin does not assume any responsibility for any fines, penalties, or damages that may be incurred as a result of any state or local law or ordinance relating to the use of your Garmin device.

European FM Transmitter Notice

Use of FM transmitters is currently illegal in certain European countries due to specific radio frequency restrictions. You must check the local regulations in all European countries in which you intend to use the FM transmitter to ensure its legality. You accept full responsibility for complying with all such laws and regulations applicable in your particular country of operation.

For a list of countries that currently prohibit the use of FM transmitters and countries that currently require you to obtain a license prior to using the FM transmitter, see www.garmin.com/fm-notice.

Map Data Information

Garmin uses a combination of governmental and private data sources. Virtually all data sources contain some inaccurate or

incomplete data. In some countries, complete and accurate map information is either not available or is prohibitively expensive.

Declaration of Conformity

Hereby, Garmin, declares that this product is in compliance with the essential requirements and other relevant provisions of Directive 1999/5/EC. To view the full Declaration of Conformity, go to www.garmin.com/declaration-of-conformity.

CE Mark

If the CE Alert mark is present on your device, this device uses frequency bands that are not harmonised throughout the EU, and/or the intended use of the device is subject to restrictions made by one or more Member States.

FCC Compliance

This device complies with part 15 of the FCC Rules. Operation is subject to the following two conditions: (1) this device may not cause harmful interference, and (2) this device must accept any interference received, including interference that may cause undesired operation.

This equipment has been tested and found to comply with the limits for a Class B digital device, pursuant to part 15 of the FCC rules. These limits are designed to provide reasonable protection against harmful interference in a residential installation. This equipment generates, uses, and can radiate radio frequency energy and may cause harmful interference to radio communications if not installed and used in accordance with the instructions. However, there is no guarantee that interference will not occur in a particular installation. If this equipment does cause harmful interference to radio or television reception, which can be determined by turning the equipment off and on, the user is encouraged to try to correct the interference by one of the following measures:

- Reorient or relocate the receiving antenna.
- Increase the separation between the equipment and the receiver.
- Connect the equipment into an outlet that is on a different circuit from the GPS unit.
- Consult the dealer or an experienced radio/TV technician





for help.

This product does not contain any user-serviceable parts. Repairs should only be made by an authorized Garmin service center. Unauthorized repairs or modifications could result in permanent damage to the equipment, and void your warranty and your authority to operate this device under Part 15 regulations.

Industry Canada Compliance

Category I radiocommunication devices comply with Industry Canada Standard RSS-210. Category II radiocommunication devices comply with Industry Canada Standard RSS-310. This device complies with Industry Canada license-exempt RSS standard(s). Operation is subject to the following two conditions: (1) this device may not cause interference, and (2) this device must accept any interference, including interference that may cause undesired operation of the device.

Limited Warranty

This Garmin product is warranted to be free from defects in materials or workmanship for one year from the date of purchase. Within this period, Garmin will, at its sole option, repair or replace any components that fail in normal use. Such repairs or replacement will be made at no charge to the customer for parts or labor, provided that the customer shall be responsible for any transportation cost. This warranty does not apply to: (i) cosmetic damage, such as scratches, nicks and dents; (ii) consumable parts, such as batteries, unless product damage has occurred due to a defect in materials or workmanship; (iii) damage caused by accident, abuse, misuse, water, flood, fire, or other acts of nature or external causes; (iv) damage caused by service performed by anyone who is not an authorized service provider of Garmin; or (v) damage to a product that has been modified or altered without the

written permission of Garmin. In addition, Garmin reserves the right to refuse warranty claims against products or services that are obtained and/or used in contravention of the laws of any country.

This product is intended to be used only as a travel aid and must not be used for any purpose requiring precise measurement of direction, distance, location or topography. Garmin makes no warranty as to the accuracy or completeness of map data in this product.

THE WARRANTIES AND REMEDIES CONTAINED HEREIN ARE EXCLUSIVE AND IN LIEU OF ALL OTHER WARRANTIES EXPRESS, IMPLIED, OR STATUTORY, INCLUDING ANY LIABILITY ARISING UNDER ANY WARRANTY OF MERCHANTABILITY OR FITNESS FOR A PARTICULAR PURPOSE, STATUTORY OR OTHERWISE. THIS WARRANTY GIVES YOU SPECIFIC LEGAL RIGHTS, WHICH MAY VARY FROM STATE TO STATE.

IN NO EVENT SHALL GARMIN BE LIABLE FOR ANY INCIDENTAL, SPECIAL, INDIRECT OR CONSEQUENTIAL DAMAGES, INCLUDING, WITHOUT LIMITATION, DAMAGES FOR ANY TRAFFIC FINES OR CITATIONS, WHETHER RESULTING FROM THE USE, MISUSE OR INABILITY TO USE THE PRODUCT OR FROM DEFECTS IN THE PRODUCT. SOME STATES DO NOT ALLOW THE EXCLUSION OF INCIDENTAL OR CONSEQUENTIAL DAMAGES, SO THE ABOVE LIMITATIONS MAY NOT APPLY TO YOU.

Garmin retains the exclusive right to repair or replace (with a new or newly-overhauled replacement product) the device or software or offer a full refund of the purchase price at its sole discretion. SUCH REMEDY SHALL BE YOUR SOLE AND EXCLUSIVE REMEDY FOR ANY BREACH OF WARRANTY.

To obtain warranty service, contact your local Garmin authorized dealer or call Garmin Product Support for shipping instructions and an RMA tracking number. Securely pack the device and a copy of the original sales receipt, which is required as the proof of purchase for warranty repairs. Write





the tracking number clearly on the outside of the package. Send the device, freight charges prepaid, to any Garmin warranty service station.

Online Auction Purchases: Products purchased through online auctions are not eligible for warranty coverage. Online auction confirmations are not accepted for warranty verification. To obtain warranty service, an original or copy of the sales receipt from the original retailer is required. Garmin will not replace missing components from any package purchased through an online auction.

International Purchases: A separate warranty may be provided by international distributors for devices purchased outside the United States depending on the country. If applicable, this warranty is provided by the local in-country distributor and this distributor provides local service for your device. Distributor warranties are only valid in the area of intended distribution. Devices purchased in the United States or Canada must be returned to the Garmin service center in the United Kingdom, the United States, Canada, or Taiwan for service.

Australian Purchases: Our goods come with guarantees that cannot be excluded under the Australian Consumer Law. You are entitled to a replacement or refund for a major failure and for compensation for any other reasonably foreseeable loss or damage. You are also entitled to have the goods repaired or replaced if the goods fail to be of acceptable quality and the failure does not amount to a major failure. The benefits under our Limited Warranty are in addition to other rights and remedies under applicable law in relation to the products.

Garmin Australasia
Unit 19, 167 Prospect Highway
Seven Hills, NSW, Australia, 2147
Phone: 1800 822 235

Informations importantes relatives au produit et à la sécurité

AVERTISSEMENT

Si vous ne prenez pas de précautions pour éviter les situations potentiellement dangereuses énoncées ci-après, vous risquez un accident ou une collision pouvant entraîner des blessures graves, voire mortelles.

Avertissements d'installation et d'utilisation

- Lors de l'installation de l'appareil dans un véhicule, placez-le avec soin de telle sorte qu'il n'obstrue pas le champ de vision du conducteur ou qu'il ne gêne pas les commandes du véhicule telles que le volant, les pédales ou les leviers de transmission. Ne placez pas l'appareil devant ou au-dessus d'un airbag (voir le schéma).



- Il se peut que le support de montage sur pare-brise ne reste pas fixé au pare-brise en toutes circonstances. Ne placez pas le support de montage à un endroit où il risque de constituer une source de distraction dans le cas où il se détacherait. Gardez un pare-brise propre afin que le support de montage reste sur le pare-brise.
- Faites preuve de bon sens et conduisez toujours de la manière la plus sûre possible. **Ne vous laissez pas distraire par l'appareil lorsque vous conduisez et soyez toujours attentif aux conditions de conduite.** Regardez le moins possible l'écran de l'appareil lorsque vous conduisez et suivez les instructions vocales aussi souvent que possible.
- Lorsque vous conduisez, n'entrez pas de destinations, ne modifiez pas les paramètres et n'accédez à aucune fonction



nécessitant une utilisation prolongée des commandes de l'appareil. Garez-vous à un endroit autorisé n'entravant pas la sécurité des autres automobilistes avant d'effectuer toute opération de ce type.

- En cours de navigation, comparez attentivement les informations affichées à l'écran de l'appareil aux autres sources d'information, notamment les panneaux de signalisation, les routes fermées à la circulation, les conditions de circulation, les ralentissements, les conditions météorologiques et tout autre facteur pouvant compromettre la sécurité au volant. Pour votre sécurité, cherchez à résoudre tout dysfonctionnement avant de poursuivre la navigation et respectez les panneaux de signalisation et les conditions de circulation.
- L'appareil est conçu pour vous proposer des suggestions d'itinéraires. Il ne vous dispense pas de faire preuve de vigilance et de bon sens. **Ne suivez pas les suggestions d'itinéraire si elles vous indiquent une manœuvre dangereuse ou illégale ou mettraient le véhicule dans une situation dangereuse.**

Avertissements relatifs à la batterie

Le non-respect de ces consignes peut causer une diminution de la durée de vie de la batterie lithium-ion interne, endommager l'appareil GPS ou présenter un risque d'incendie, de brûlure chimique, de fuite d'électrolyte et/ou de blessure.

- Ne laissez pas l'appareil à proximité d'une source de chaleur ou dans un lieu où la température est très élevée, par exemple dans un véhicule sans surveillance garé en plein soleil. Pour éviter tout dommage, sortez l'appareil de votre véhicule ou placez-le à l'abri du soleil, par exemple dans la boîte à gants.
- Ne percez pas l'appareil ou la batterie et ne les exposez pas aux flammes.
- Sur une longue période, la température du lieu de stockage de l'appareil doit être comprise entre 0 °C et 25 °C (32 °F et 77 °F).
- N'utilisez pas l'appareil si la température n'est pas comprise entre -20 °C et 55 °C (-4 °F et 131 °F).

- Contactez la déchetterie locale pour plus d'informations sur la mise au rebut de l'appareil ou de la batterie dans le respect des lois et réglementations locales applicables.

Autres avertissements relatifs à la batterie remplaçable par l'utilisateur :

- N'utilisez pas d'objet pointu pour retirer la batterie.
- Gardez la batterie hors de portée des enfants.
- Ne démontez pas la batterie, ne la percez pas, ne l'endommagez pas.
- Si vous utilisez un chargeur de batterie externe, utilisez uniquement l'accessoire Garmin adapté à votre produit.
- Remplacez toujours la batterie par une batterie neuve adéquate. L'utilisation d'une autre batterie peut présenter un risque d'incendie ou d'explosion. Pour vous procurer une batterie de rechange, contactez votre revendeur Garmin ou visitez le site Web de Garmin.

Autre avertissement relatif à la batterie non remplaçable par l'utilisateur :

- N'essayez pas de retirer la batterie non remplaçable par l'utilisateur.

AVIS

Avis sur les transmetteurs FM en Europe

L'utilisation d'un transmetteur FM est actuellement illégale dans certains pays européens en raison de restrictions d'utilisation de fréquences radio. Il est de votre responsabilité de vérifier les réglementations locales dans tous les pays européens où vous comptez utiliser le transmetteur FM de manière à vous assurer que son utilisation est légale. Vous reconnaissez l'entière responsabilité du respect de telles lois et réglementations applicables dans le pays d'utilisation. Pour consulter la liste des pays interdisant actuellement l'utilisation des transmetteurs FM ou exigeant une licence pour ce faire, rendez-vous sur le site www.garmin.com/fm-notice.





Informations sur les données cartographiques

Les données de Garmin proviennent à la fois de sources gouvernementales et de sources privées. La quasi-totalité des sources de données contient une part d'informations inexactes ou incomplètes. Dans certains pays, des informations cartographiques complètes et exactes sont soit indisponibles, soit proposées à un coût prohibitif.

Déclaration de conformité

Par la présente, Garmin déclare que ce produit est conforme aux principales exigences et autres clauses pertinentes de la directive européenne 1999/5/EC. Pour prendre connaissance de l'intégralité de la déclaration de conformité, rendez-vous sur le site www.garmin.com.

Marquage CE

Le marquage d'avertissement CE peut être apposé sur votre appareil. Dans ce cas, cela signifie que le produit utilise des bandes de fréquence qui ne sont pas autorisées dans tous les pays de l'Union Européenne et/ou que l'utilisation dudit produit est soumise à des restrictions établies par certains pays membres de l'Union Européenne.

Conformité aux normes d'Industrie Canada

Les appareils de radiocommunication de catégorie I sont conformes à la norme RSS-210 d'Industrie Canada. Les appareils de radiocommunication de catégorie II sont conformes à la norme RSS-310 d'Industrie Canada. Cet appareil est conforme aux normes RSS sans licence d'Industrie Canada. Son fonctionnement est soumis aux conditions suivantes : (1) cet appareil ne doit pas causer d'interférences et (2) doit accepter toute interférence, y compris les interférences pouvant entraîner un fonctionnement indésirable de l'appareil.

Garantie limitée

Ce produit Garmin est garanti contre tout défaut matériel et de fabrication pendant une durée d'un an, à compter de sa date d'achat. Durant cette période, Garmin pourra, à son entière discrétion, réparer ou remplacer tout composant qui s'avérerait défectueux dans le cadre d'un usage normal. Ce

type de réparation ou de remplacement ne sera pas facturé au client, qu'il s'agisse des pièces ou de la main-d'œuvre, à condition que le client prenne en charge les frais de port. Cette garantie ne couvre pas : (i) les dommages esthétiques, tels que les éraflures, les rayures et les bosses ; (ii) les consommables, comme les piles, à moins que le dommage ne soit dû à un défaut matériel ou de fabrication ; (iii) les dommages provoqués par un accident, une utilisation abusive, une mauvaise utilisation, l'eau, une inondation, un incendie ou toute autre catastrophe naturelle ou cause extérieure ; (iv) les dommages provoqués par des fournisseurs de services non agréés par Garmin ; ou (v) les dommages sur un produit ayant été modifié sans l'autorisation écrite de Garmin. En outre, Garmin se réserve le droit de refuser toute demande de service sous garantie relative à un produit ou service obtenu et/ou utilisé en violation des lois de tout pays.

Ce produit est uniquement une aide à la navigation et il ne doit pas être utilisé à d'autres fins exigeant l'évaluation précise de la direction, de la distance ou de la topographie. Garmin n'offre aucune garantie quant à l'exactitude et à l'exhaustivité des données cartographiques du présent produit. LES GARANTIES ET RECOURS CONTENUS DANS LE PRESENT DOCUMENT SONT EXCLUSIFS ET ANNULENT TOUTE AUTRE GARANTIE EXPRESSE, IMPLICITE OU LEGALE, Y COMPRIS TOUTE RESPONSABILITE RESULTANT DE TOUTE GARANTIE DE QUALITE MARCHANDE OU D'ADEQUATION A UN USAGE PARTICULIER, QU'ELLE SOIT LEGALE OU AUTRE. CETTE GARANTIE VOUS DONNE DES DROITS PARTICULIERS QUI PEUVENT VARIER D'UN ETAT A L'AUTRE.

GARMIN NE SAURAIT EN AUCUN CAS ETRE TENUE RESPONSABLE DES DOMMAGES SPECIAUX, INDIRECTS, ACCESSOIRES OU CONSECUTIFS, Y COMPRIS SANS LIMITATION DES AMENDES OU CITATIONS EN JUSTICE, QU'ILS RESULTENT DE L'UTILISATION NORMALE OU ABUSIVE OU DE L'IMPOSSIBILITE D'UTILISER LE PRODUIT OU ENCORE D'UN DEFAUT DU PRODUIT. CERTAINS ETATS INTERDISANT L'EXCLUSION OU LA





RESTRICTION DES DOMMAGES ACCESSOIRES OU CONSECUTIFS, LES RESTRICTIONS SUSMENTIONNEES PEUVENT NE PAS VOUS CONCERNER.

Garmin se réserve le droit exclusif de réparer l'appareil ou le logiciel, ou de les remplacer (par un produit de remplacement neuf ou entièrement révisé) ou de proposer le remboursement intégral du prix d'achat à son entière discrétion. CE TYPE DE RECOURS SERA VOTRE RECOURS UNIQUE ET EXCLUSIF POUR TOUTE RUPTURE DE GARANTIE.

Pour bénéficier d'un service sous garantie, contactez votre distributeur Garmin agréé ou appelez le service d'assistance produit de Garmin pour obtenir les instructions relatives à l'expédition du produit, ainsi qu'un numéro de suivi d'autorisation de retour d'article (RMA). Emballez avec soin l'appareil en y joignant une copie de l'original de la facture, qui fera office de preuve d'achat dans le cas de réparations sous garantie. Inscrivez lisiblement le numéro de suivi sur l'extérieur du paquet. Envoyez l'appareil, frais de port prépayés, à un centre de services sous garantie Garmin.

Achats dans le cadre d'enchères en ligne : les produits achetés au cours d'enchères en ligne ne sont pas couverts par la garantie. Les confirmations de vente aux enchères en ligne ne sont pas acceptées dans le cadre d'une vérification sous garantie. Pour bénéficier d'un service sous garantie, l'original ou une copie de la facture dressée par le premier revendeur doit être présenté(e). Garmin ne procédera à aucun remplacement de composant manquant sur tout produit acheté dans le cadre d'enchères en ligne.

Achats internationaux : selon les pays, une garantie distincte peut être accordée par les distributeurs internationaux pour les appareils achetés hors des Etats-Unis. Le cas échéant, cette garantie est fournie par le distributeur du pays d'achat et ledit distributeur prend en charge les services locaux nécessaires pour votre appareil. Les garanties distributeur sont valides uniquement dans les zones de distribution visées. En cas de problème, les appareils achetés aux Etats-Unis ou au Canada doivent être renvoyés aux ateliers de réparations Garmin du Royaume-Uni, des Etats-Unis, du Canada ou de Taïwan.

Informazioni importanti sulla sicurezza e sul prodotto

ATTENZIONE

Il mancato rispetto delle indicazioni fornite di seguito potrebbe causare incidenti e tamponamenti gravi o mortali.

Avvertenze relative all'installazione e al funzionamento del dispositivo

- Durante l'installazione del dispositivo nel veicolo, scegliere una posizione sicura che non ostacoli la visuale del conducente né interferisca con i comandi del veicolo, ad esempio il volante, i pedali o la leva del cambio. Non posizionare il dispositivo di fronte o al di sopra dell'airbag (vedere illustrazione).



- È possibile che il supporto per parabrezza non rimanga attaccato al parabrezza in tutte le condizioni. Non collocare tale supporto in un punto che possa costituire una facile fonte di distrazione nel caso in cui il supporto si stacchi dal parabrezza. Tenere pulito il parabrezza per assicurarsi che il supporto possa rimanere attaccato più facilmente al parabrezza.
- Seguire sempre il buon senso e utilizzare il veicolo con prudenza. **Non distrarsi per guardare il dispositivo e prestare sempre la massima attenzione durante la guida.** Evitare di guardare lo schermo del dispositivo troppo a lungo durante la guida e utilizzare i comandi vocali quando è possibile.
- Durante la guida, evitare di inserire destinazioni, modificare impostazioni o accedere a funzioni che richiedono un uso prolungato dei comandi del dispositivo. Fermarsi nelle apposite aree di sosta per eseguire



queste operazioni.

- Durante la navigazione, confrontare attentamente le informazioni visualizzate sul dispositivo con tutte le informazioni per la navigazione disponibili, inclusi segnali stradali, strade chiuse, condizioni stradali, congestioni del traffico, condizioni climatiche e altri fattori che possono influire sulla sicurezza durante la guida. Per motivi di sicurezza, risolvere eventuali incongruenze prima di continuare la navigazione e fare riferimento ai cartelli stradali presenti e alle condizioni della strada.
- Il dispositivo fornisce suggerimenti sul percorso, ma non esonera il conducente dal prestare la massima attenzione e usare il buon senso. **Non seguire i suggerimenti sul percorso nel caso in cui suggeriscano una manovra non sicura o un'infrazione al codice della strada o**

nel caso in cui il veicolo possa essere messo in una situazione pericolosa.

Avvertenze sulla batteria

Il mancato rispetto delle seguenti indicazioni può compromettere la durata della batteria interna al litio, danneggiare il dispositivo GPS e causare incendi, combustioni chimiche, perdita di elettroliti e/o lesioni personali.

- Evitare l'esposizione del dispositivo a fonti di calore o temperature elevate, ad esempio in un veicolo parcheggiato al sole. Per evitare possibili danni, rimuovere il dispositivo dal veicolo o riporlo lontano dai raggi diretti del sole, ad esempio nella custodia.
- Non forare o bruciare il dispositivo o la batteria.
- Per lunghi periodi di inutilizzo, conservare il dispositivo a una temperatura compresa tra 0 °C e 25 °C (32 °F e 77 °F).
- Non esporre il dispositivo a temperature al di fuori dell'intervallo compreso tra -20 °C e 55 °C (-4 °F e 131 °F).
- Per un corretto smaltimento del dispositivo/batteria in conformità alle leggi e normative locali, contattare le autorità locali preposte.

Avvertenze aggiuntive sulla batteria sostituibile dall'utente:

- Non utilizzare oggetti acuminati per rimuovere la batteria.

- Tenere la batteria lontano dalla portata dei bambini.
- Non smontare, bucare o danneggiare la batteria.
- Se si utilizza un caricabatterie esterno, usare solo l'accessorio approvato da Garmin per il prodotto.
- Sostituire la batteria solo con la batteria sostitutiva corretta onde evitare il rischio di esplosione o incendio. Per acquistare una batteria di ricambio, rivolgersi al rivenditore Garmin o visitare il sito Web Garmin.

Avvertenza aggiuntiva sulla batteria non sostituibile dall'utente:

- Non rimuovere o tentare di rimuovere la batteria non sostituibile dall'utente.

AVVISO

Informativa europea relativa ai trasmettitori FM

L'uso di trasmettitori FM è vietato in alcuni paesi europei a causa di specifiche restrizioni sulle frequenze radio. È necessario consultare i regolamenti di tutti i paesi in cui si intende utilizzare il trasmettitore FM. L'utente si assume la responsabilità di adempiere alle leggi e alle normative vigenti nel paese in cui viene utilizzato il dispositivo.

Per un elenco dei paesi che vietano attualmente l'utilizzo dei trasmettitori FM e dei paesi che richiedono il rilascio di una licenza per l'utilizzo del trasmettitore FM, consultare il sito www.garmin.com/fm-notice.

Informazioni sui dati mappa

Garmin utilizza una serie di fonti statali e private. Tutte le fonti di dati possono contenere dati imprecisi e incompleti. In alcuni paesi, le informazioni su mappe complete e precise non sono disponibili o sono proibitive in termini di costi.

Dichiarazione di conformità

Con il presente documento, Garmin dichiara che questo prodotto è conforme ai requisiti essenziali e alle altre disposizioni in materia previste dalla Direttiva 1999/5/CE. Per visualizzare la versione integrale della Dichiarazione di conformità, visitare il sito Web www.garmin.com.



Marchio CE

Se sul dispositivo è presente il marchio di avviso CE, il dispositivo usa bande di frequenza che non sono armonizzate con le direttive dell'Unione europea e/o l'uso dello stesso è soggetto a limitazioni stabilite da uno o più stati membri.

Garanzia

La garanzia è prestata dal Venditore:

- al Consumatore ossia, ai sensi dell'art. 3, D.Lgs. 6 ottobre 2005, alla "persona fisica che agisce per scopi estranei all'attività imprenditoriale o professionale eventualmente svolta", sulla base della medesima norma istitutiva del così detto Codice del consumo. In base a detta legge la durata della garanzia è di 24 mesi decorrenti dalla data di consegna del prodotto al Consumatore. La garanzia copre solo i difetti di conformità o d'origine, cioè preesistenti alla consegna del bene al Consumatore e non copre i difetti legati ad un'errata installazione o ad errato uso dello stesso;
- al Professionista, ossia ai sensi del citato art. 3 206/05, alla "persona fisica o giuridica che agisce nell'esercizio della propria attività imprenditoriale o professionale, ovvero un suo intermediario" nei limiti di quanto previsto dagli artt. 1490 ss c.c. e nei termini di cui all'art. 1495 c.c.

Garanzia Prodotto

Il Prodotto, a cui è riferita la presente garanzia, è garantito esente da difetti originari di conformità per un periodo di 24 mesi dalla data di consegna all'utente finale, conformemente a quanto previsto dal D.Lgs. 206/05.

La preghiamo, prima di prendere possesso del prodotto, di verificare, assieme al Venditore, se il prodotto è conforme alle Sue aspettative. Laddove il Venditore si occupi anche della installazione del Prodotto, La preghiamo, inoltre, di verificarne il corretto funzionamento, eventualmente eseguendo una prova d'uso reale.

Procedura

Qualora intenda avvalersi dei diritti di cui alle presenti condizioni di garanzia, la preghiamo di visitare il sito web di Garmin Italia (www.garmin.it) onde ottenere le informazioni circa l'esatta modalità di consegna o spedizione dei prodotti.

Con le limitazioni specificate in seguito, e qualora sussistano

le condizioni per riconoscere la garanzia ai sensi del D.Lgs. 206/05, il prodotto verrà riparato senza nessun costo relativo alle spese strettamente necessarie per la riparazione e quindi rispettato in porto franco al Venditore.

Resta fermo quanto disposto dall'art. 130, D.Lgs. 206/05 in particolare quanto all'oggettiva impossibilità o l'eccessiva onerosità della riparazione.

Per i prodotti in garanzia il Consumatore nulla deve al Venditore a titolo di contributo spese di trasporto o di gestione. Laddove il prodotto dovesse essere inviato nonostante il periodo di garanzia sia scaduto ovvero risulti che trattasi di difetto non coperto dalla Garanzia, ovvero il prodotto sia privo di difetti, Garmin Italia addebiterà al Venditore i costi del trasporto, amministrativi e tecnici sostenuti.

Limiti nel caso di intervento in garanzia

La garanzia di Garmin Italia non copre i difetti originari manifestatisi oltre il termine di durata della garanzia, i difetti che non preesistevano alla consegna del prodotto, i guasti derivanti da negligenza o trascuratezza nell'uso, da errata installazione o manutenzione, erroneo immagazzinaggio e/o conservazione, da manutenzione effettuata da personale non autorizzato, da danni di trasporto, corrosione o per strumenti in cui il numero di matricola sia stato in qualche modo alterato o cancellato. Garmin Italia non può essere ritenuta responsabile per danni causati durante l'installazione o come conseguenza di un'installazione scorretta. La presente Garanzia non copre i controlli periodici, gli allineamenti e le calibrazioni originarie e successive, prove in mare o su terra, o spiegazioni pratiche sull'uso del prodotto a meno che non siano specificatamente necessari per il ripristino funzionale della parte sostituita coperta dalla garanzia.

La garanzia non copre altresì difetti derivanti da incidenti, calamità naturali od altre cause fra le quali, a titolo meramente esemplificativo, pioggia, grandine o fulmini.

La garanzia non copre i danni conseguenti a sovraccarichi di corrente dovuti alla rete cui il prodotto dovesse essere collegato o causati da altre apparecchiature, sistemi o componenti in occasione di impropria connessione o uso non autorizzato o permesso del prodotto ivi compreso nel caso di





eventuale utilizzo di un caricabatteria di modello differente rispetto a quello fornito con il prodotto. I materiali soggetti ad usura (inclusi fusibili, batterie, cinghie, ventole o le parti meccaniche connesse) sono specificata-mente esclusi dalla presente Garanzia.

L'eventuale rottura di sigilli o la precedente manomissione del prodotto escludono la possibilità di avvalersi della Garanzia.

La presente Garanzia non copre le ore di lavoro straordinario. La Garanzia Garmin Italia non copre eventuali differenze di colorazione, di materiale o aspetto sussistenti tra quanto a titolo indicativo, illustrato nella pubblicità, nei cataloghi o su Internet, che non siano state oggetto di specifico reclamo al momento della consegna del prodotto.

Tutti i prodotti Garmin Italia sono considerati ausili allo svolgimento dell'attività a cui sono destinati. È quindi esclusivamente responsabilità dell'utente usare la prudenza e il giudizio necessari durante il loro utilizzo.

Garmin Italia non risponderà dell'eventuale inosservanza delle normali regole di diligenza e prudenza ed altresì, nel caso di utilizzo a bordo di autoveicoli, velivoli, natanti o di altri mezzi di trasporto non risponderà della violazione delle norme, disposizioni delle autorità o regolamenti disciplinanti la loro circolazione e non risponderà dei danni eventualmente causati a terzi ed alla persona del Consumatore.

Assistenza oltre i termini di garanzia

Qualora il prodotto in Suo possesso manifestasse problemi di funzionamento oltre i termini di garanzia, ovvero per quanto entro i 24 mesi di vita fosse stato danneggiato o abbisognasse comunque di interventi tecnici per cause che non rientrano fra quelle coperte dalla garanzia, La preghiamo di contattare telefonicamente il Customer Care Garmin al numero indicato sul sito www.garmin.it al fine di concordare la modalità di invio dello strumento per riparazione o verifica.

Ricordiamo che in caso di assistenza fuori garanzia le spese di trasporto sono a carico del Consumatore, come pure i costi di riparazione, verifica, aggiornamento software o eventuale reset delle apparecchiature.

Wichtige Sicherheits- und Produktinformationen

WARNUNG

Die folgenden potenziell gefährlichen Situationen können, sofern sie nicht vermieden werden, einen Unfall oder Zusammenstoß und damit schwere oder sogar tödliche Verletzungen verursachen.

Warnungen zu Befestigung und Verwendung

- Platzieren Sie das Gerät bei Befestigung in einem Fahrzeug so, dass die Sicht des Fahrers nicht beeinträchtigt wird und die Bedienelemente des Fahrzeugs (z. B. Lenkrad, Pedale oder Schalthebel) frei zugänglich sind. Bringen Sie das Gerät nicht vor oder über einem Airbag an. (Siehe Abbildung.)



- Die Halterung für die Windschutzscheibe kann sich unter Umständen von der Windschutzscheibe lösen. Platzieren Sie die Halterung nicht an einer Stelle, an der sie eine Ablenkung darstellen könnte, falls sie sich löst. Achten Sie darauf, dass die Windschutzscheibe sauber ist, damit sich die Halterung an der Windschutzscheibe hält.
- Setzen Sie stets gutes Urteilsvermögen ein, und bedienen Sie das Fahrzeug umsichtig. **Lassen Sie sich beim Fahren nicht vom Gerät ablenken, und achten Sie stets auf die Verkehrslage.** Sehen Sie während der Fahrt so kurz und so wenig wie möglich auf den Bildschirm des Geräts, und nutzen Sie nach Möglichkeit Sprachansagen.
- Sie sollten während der Fahrt nicht den Zielfort festlegen, Einstellungen ändern oder in umfangreichem Maß Funktionen abrufen. Halten Sie am Straßenrand, sofern





Verkehrslage und Vorschriften dies zulassen, um solche Vorgänge auszuführen.

- Vergleichen Sie beim Fahren die auf dem Gerät angezeigten Informationen aufmerksam mit allen verfügbaren Navigationshilfen, z. B. Straßenschildern, Straßensperrungen, Straßenbedingungen, Verkehrsstaus, Wetterbedingungen und anderen Faktoren, die sich auf die Fahrsicherheit auswirken können. Aus Sicherheitsgründen sollten Sie Abweichungen stets klären, bevor Sie die Fahrt fortsetzen, und Sie sollten Straßenschilder und Straßenbedingungen beachten.
- Eine Funktion des Geräts besteht darin, dem Benutzer Routen vorzuschlagen. Das Gerät soll nicht die Aufmerksamkeit des Fahrers und dessen Urteilsvermögen ersetzen. **Folgen Sie keinen Routenvorschlägen, wenn diese eine gefährliche oder ungesetzliche Fahrweise beinhalten oder das Fahrzeug in eine gefährliche Situation bringen würden.**

Akkuwarnungen

Ein Missachten dieser Richtlinien kann zur Verkürzung der Betriebsdauer des eingebauten Lithium-Ionen-Akkus oder zu Schäden am GPS-Gerät, zu Bränden, zu chemischen Verätzungen, zum Auslaufen des Elektrolyts und/oder zu Verletzungen führen.

- Halten Sie das Gerät von Hitzequellen oder Umgebungen mit hohen Temperaturen, wie z. B. direkter Sonneneinstrahlung in einem Fahrzeug, fern. Nehmen Sie das Gerät zur Vermeidung von Schäden aus dem Fahrzeug, oder lagern Sie es so, dass es vor direkter Sonneneinstrahlung geschützt ist (beispielsweise im Handschuhfach).
- Durchbohren oder verbrennen Sie weder das Gerät noch den Akku.
- Bei Lagerung des Geräts über einen längeren Zeitraum sollte der Temperaturbereich zwischen 0 °C und 25 °C (32 °F und 77 °F) liegen.
- Betreiben Sie das Gerät nicht bei Temperaturen unter -20 °C (-4 °F) oder über 55 °C (131 °F).
- Wenden Sie sich zur ordnungsgemäßen, im Einklang mit anwendbaren örtlichen Gesetzen und Bestimmungen

stehenden Entsorgung von Gerät und/oder Akku an die zuständige Abfallentsorgungsstelle.

Zusätzliche Warnungen zu austauschbaren Akkus:

- Verwenden Sie keine scharfen Gegenstände zum Entnehmen des Akkus.
- Bewahren Sie den Akku außerhalb der Reichweite von Kindern auf.
- Der Akku darf nicht zerlegt, durchbohrt oder anderweitig beschädigt werden.
- Als externes Ladegerät darf nur für das Produkt zugelassenes Garmin-Zubehör verwendet werden.
- Bei Austausch des Akkus muss der korrekte Ersatzakku verwendet werden. Bei Verwendung eines anderen Akkus besteht Brand- oder Explosionsgefahr. Wenden Sie sich zum Kauf eines Ersatzakkus an einen Garmin-Händler, oder rufen Sie die Garmin-Website auf.

Zusätzliche Warnungen zu nicht austauschbaren Akkus:

- Nicht austauschbare Akkus dürfen nicht entfernt werden.

HINWEIS

Hinweis zum UKW-Sender für Europa

Die Verwendung von UKW-Sendern ist derzeit in einigen europäischen Ländern aufgrund besonderer Funkfrequenzschränkungen verboten. Sie müssen die jeweiligen Bestimmungen in allen europäischen Ländern prüfen, in denen Sie den UKW-Sender verwenden möchten, um sich über dessen Rechtmäßigkeit zu vergewissern. Sie übernehmen die volle Verantwortung für die Einhaltung der Gesetze und Bestimmungen, die in dem jeweiligen Land gelten, in dem Sie den UKW-Sender verwenden möchten.

Eine Liste der Länder, in denen die Verwendung von UKW-Sendern derzeit verboten ist oder in denen Sie vor der Verwendung eine Lizenz erwerben müssen, finden Sie unter www.garmin.com/fm-notice.

Kartendaten-Informationen

Garmin verwendet eine Kombination aus öffentlichen und privaten Datenquellen. Nahezu alle Datenquellen enthalten in bestimmtem Ausmaß ungenaue oder unvollständige Daten. In





einigen Ländern sind vollständige und genaue Karteninformationen nicht erhältlich oder unverhältnismäßig teuer.

Konformitätserklärung

Garmin erklärt hiermit, dass dieses Produkt den wesentlichen Anforderungen und weiteren relevanten Vorschriften der Richtlinie 1999/5/EG entspricht. Sie finden die vollständige Konformitätserklärung unter www.garmin.com.

CE-Kennzeichnung

Wenn sich auf Ihrem Gerät das CE-Zeichen mit einem Ausrufezeichen befindet, bedeutet dies, dass das Gerät Frequenzbänder verwendet, deren Nutzung in einigen EU-Ländern nicht erlaubt ist, und/oder die beabsichtigte Nutzung des Geräts den jeweiligen Bestimmungen eines oder mehrerer Mitgliedsstaaten unterliegt.

Eingeschränkte Gewährleistung

Für dieses Garmin-Produkt gilt für 1 Jahr ab Kaufdatum eine Garantie auf Material- und Verarbeitungsfehler. Innerhalb dieses Zeitraums repariert oder ersetzt Garmin nach eigenem Ermessen alle bei ordnungsgemäßer Verwendung ausgefallenen Komponenten. Diese Reparatur- und Austauscharbeiten sind für den Kunden hinsichtlich Teilen oder Arbeitszeit kostenlos, sofern dieser die Transportkosten übernimmt. Diese Garantie findet keine Anwendung auf:

- (i) kosmetische Schäden, z. B. Kratzer oder Dellen; (ii) Verschleißteile wie z. B. Akkus, sofern Produktschäden nicht auf Material- oder Verarbeitungsfehler zurückzuführen sind; (iii) durch Unfälle, Missbrauch, unsachgemäße Verwendung, Wasser, Überschwemmung, Feuer oder andere höhere Gewalt oder äußere Ursachen hervorgerufene Schäden; (iv) Schäden aufgrund einer Wartung durch nicht von Garmin autorisierte Dienstleister oder (v) Schäden an einem Produkt, das ohne die ausdrückliche Genehmigung durch Garmin modifiziert oder geändert wurde. Darüber hinaus behält sich Garmin das Recht vor, Garantieansprüche für Produkte oder Dienstleistungen abzulehnen, die durch Verstoß gegen die Gesetze eines Landes erhalten und/oder verwendet werden. Dieses Produkt ist ausschließlich als Navigationshilfe vorgesehen und darf nicht für Zwecke benutzt werden, die präzise Messungen von Richtungen, Distanzen, Standorten

oder Topografien erfordern. Garmin übernimmt keine Garantie im Hinblick auf die Genauigkeit oder Vollständigkeit der kartografischen Daten in diesem Produkt.

DIE HIERIN AUFGEFÜHRTEN GARANTIE UND RECHTSMITTEL GELTEN EXKLUSIV UND SCHLIESSEN JEGLICHE AUSDRÜCKLICHEN, STILLSCHWEIGENDEN ODER GESETZLICHEN GARANTIE AUS, EINSCHLIESSLICH JEGLICHER GESETZLICHEN ODER ANDERWEITIGEN GARANTIE FÜR MARKTGÄNGIGKEIT ODER EIGNUNG FÜR EINEN BESTIMMTEN ZWECK. DIESE GARANTIE GEWÄHRT IHNEN BESTIMMTE GESETZLICHE RECHTE, DIE VON LAND ZU LAND VARIIEREN KÖNNEN.

IN KEINEM FALL HAFTET GARMIN FÜR ZUFÄLLIGE, SPEZIELLE, INDIRECTE SCHÄDEN ODER FOLGESCHÄDEN, EINSCHLIESSLICH, JEDOCH OHNE EINSCHRÄNKUNG AUF, SCHÄDEN FÜR BUSSGELDER ODER VORLADUNGEN, DIE DURCH DIE SACH- ODER UNSACHGEMASSE VERWENDUNG, DIE NICHTVERWENDBARKEIT DIESES PRODUKTS ODER DEFEKTE DES PRODUKTS ENTSTEHEN. IN EINIGEN LÄNDERN IST DER AUSSCHLUSS VON ZUFÄLLIGEN SCHÄDEN ODER FOLGESCHÄDEN NICHT GESTATET. IN EINEM SOLCHEN FALL TREFFEN DIE VORGENANNTEN AUSSCHLUSSE NICHT AUF SIE ZU. Garmin behält sich das ausschließliche Recht vor, das Gerät oder die Software nach eigenem Ermessen zu reparieren oder zu ersetzen (durch ein neues oder überholtes Ersatzprodukt) oder den vollständigen Kaufpreis zu erstatten. DIESE RECHTSMITTEL SIND DIE EINZIGEN IHNEN ZUR VERFÜGUNG STEHENDEN RECHTSMITTEL IM FALLE EINES GARANTIEANSPRUCHS.

Wenden Sie sich bei Garantieansprüchen an einen Garmin-Vertragshändler vor Ort, oder rufen Sie den Support von Garmin bezüglich der Rücksendeanweisungen und einer RMA-Nummer an. Verpacken Sie das Gerät sicher, und legen Sie eine Kopie der Originalquittung bei, die als Kaufbeleg für Garantiereparaturen erforderlich ist. Schreiben Sie die RMA-Nummer deutlich lesbar auf die Außenseite des Pakets.





Senden Sie das Gerät frankiert an ein Garmin-Service-Center.

Käufe über Onlineaktionen: Über Onlineaktionen erworbene Produkte werden nicht durch die Gewährleistung abgedeckt. Online-Auktionsbestätigungen werden für Garantieansprüche nicht akzeptiert. Für Garantieansprüche ist das Original oder eine Kopie des Kaufbelegs des ursprünglichen Händlers erforderlich. Garmin ersetzt keine fehlenden Komponenten bei Paketsendungen, die über Onlineaktionen erworben wurden.

Internationale Käufe: Für über internationale Vertriebspartner außerhalb der USA erworbene Geräte gilt möglicherweise abhängig vom jeweiligen Land eine separate Garantie. Sofern anwendbar wird diese Garantie vom Vertriebspartner im jeweiligen Land bereitgestellt, der auch den lokalen Service für das Gerät durchführt. Garantien von Vertriebspartnern gelten nur in dem für den Vertrieb vorgesehenen Gebiet. In den USA oder Kanada erworbene Geräte müssen für Kundendienstzwecke an ein Garmin-Service-Center in Großbritannien, den USA, Kanada oder Taiwan geschickt werden.

Información importante sobre el producto y tu seguridad

ADVERTENCIA

No evitar las siguientes situaciones de posible riesgo puede provocar accidentes o colisiones que tengan como consecuencia la muerte o lesiones graves.

Advertencias sobre la instalación y el funcionamiento

- Cuando instales el dispositivo en un vehículo, colócalo de forma segura para que no obstaculice la visión de la carretera del conductor ni interfiera con los controles de manejo del vehículo, como el volante, los pedales o las palancas de transmisión. No lo sitúes el dispositivo delante de un airbag ni encima de éste. (Consulta la ilustración).



- Puede que el soporte de los parabrisas no se quede fijo en todas las situaciones. No coloques el soporte donde pueda suponer una distracción si se suelta. Mantén el parabrisas limpio para que el soporte permanezca fijo.
- Utiliza siempre tu mejor criterio y conduce el vehículo de forma segura. **No dejes que el dispositivo te distraiga mientras conduces. Presta siempre una atención total a todas las condiciones de conducción.** Reduce el tiempo que empleas en visualizar la pantalla del dispositivo mientras conduces. En la medida de lo posible, utiliza las indicaciones de voz.
- No introduzcas destinos, cambies configuraciones ni accedas a ninguna función que requiera un uso prolongado de los controles del dispositivo mientras conduces. Detén el vehículo de forma segura y en un lugar permitido antes de efectuar dichas operaciones.
- Al navegar, compara atentamente la información que aparece en el dispositivo con todas las fuentes de navegación disponibles, como las señales, los cierres de carreteras, las condiciones de las mismas, las retenciones de tráfico, las condiciones meteorológicas y demás factores que puedan afectar a la seguridad mientras se conduce. Para tu seguridad, resuelve siempre cualquier discrepancia antes de continuar con la navegación y presta atención a las señales de circulación y a las condiciones de la carretera.
- El dispositivo se ha diseñado para proporcionarte sugerencias para tu ruta. No es un sustituto de la atención y el criterio del conductor. **No sigas las sugerencias de rutas si indican una maniobra ilegal o no segura, o si causan que el vehículo quede en una posición no segura.**





Advertencias sobre la batería

Si no se siguen estas indicaciones, puede reducirse el ciclo vital de la batería de ión-litio interna o pueden crearse riesgos de daño al dispositivo GPS, fuego, quemadura química, fuga de electrolitos y heridas.

- No dejes el dispositivo expuesto a fuentes de calor o en lugares con altas temperaturas, como pudiera ser un vehículo aparcado al sol. Para evitar que se dañe, retira el dispositivo del vehículo o guárdalo para que no quede expuesto a la luz solar directa (por ejemplo, colócalo en la guantera).
- No perfores ni incineres el dispositivo o la batería.
- Cuando guardes el dispositivo durante un período de tiempo prolongado, consérvalo a una temperatura entre 32° y 77 °F (0° y 25 °C).
- No hagas funcionar el dispositivo si la temperatura está fuera del siguiente intervalo: -4° a 131 °F (-20° a 55 °C).
- Ponte en contacto con el servicio local de recogida de basura para desechar el dispositivo o la batería de forma que cumpla todas las leyes y normativas locales aplicables.

Advertencias adicionales sobre las baterías sustituibles por el usuario:

- No utilices un objeto afilado para retirar la batería.
- Mantén la batería fuera del alcance de los niños.
- No desmontes, perfores ni dañes la batería.
- Si usas un cargador de batería externo, utiliza sólo un accesorio de Garmin aprobado para su producto.
- Sustituye la batería únicamente con la batería de sustitución adecuada. Utilizar otra batería conlleva un riesgo de fuego o explosión. Para comprar una batería de repuesto, consulta al distribuidor de Garmin o visita el sitio Web de Garmin.

Advertencias adicionales sobre las baterías no sustituibles por el usuario:

- No retires ni intentes retirar la batería no sustituible por el usuario.

AVISO

Aviso sobre los transmisores FM europeos

Actualmente, el uso de transmisores FM es ilegal en algunos países europeos debido a restricciones de frecuencias de radio específicas. Debes comprobar las normativas locales de todos los países europeos en los que pretendas utilizar el transmisor FM para asegurarte de su legalidad. El usuario asume toda la responsabilidad de acatar todos los tipos de leyes y normas aplicables según el país de utilización.

Para obtener una lista de países que en los que el uso de transmisores FM está prohibido actualmente, y de países en los que es necesaria una licencia antes de utilizar el transmisor FM, consulta www.garmin.com/fm-notice.

Información sobre datos de mapa

Garmin utiliza una serie de fuentes de datos privadas y gubernamentales. Prácticamente todas las fuentes de datos contienen algunos datos inexactos o incompletos. En algunos países, la información completa y precisa de mapas no está disponible o lo está a un precio muy elevado.

Declaración de conformidad

Por la presente, Garmin declara que este producto cumple con los requisitos esenciales y otras disposiciones relevantes de la Directiva 1999/5/CE. Para ver la Declaración de conformidad completa, visita www.garmin.com.

Marca CE

Si la marca de alerta CE está presente en el dispositivo, éste utiliza bandas de frecuencia que no están en armonía con toda la Unión Europea y/o el dispositivo está sujeto a restricciones realizadas por uno más estados miembros.

Garantía limitada

Este producto de Garmin está garantizado frente a defectos de materiales o mano de obra durante un año a partir de la fecha de compra. En este período Garmin puede, por decisión propia, reparar o sustituir cualesquiera componentes que no funcionen correctamente. Estas reparaciones o sustituciones se realizarán sin coste alguno para el cliente en concepto de piezas o mano de obra, siempre y cuando el cliente se





haga responsable de los gastos de envío. Esta garantía no se aplica a: (i) los daños estéticos, tales como arañazos, marcas o abolladuras; (ii) las piezas consumibles, tales como las baterías, a no ser que el daño se haya producido por un defecto de los materiales o de la mano de obra; (iii) los daños provocados por accidentes, uso inadecuado, el agua, inundaciones, fuego, otras causas de fuerza mayor o causas externas; (iv) daños provocados por reparaciones realizadas por un proveedor de servicio no autorizado por Garmin; o, (v) los daños ocurridos en productos que hayan sido modificados o alterados sin la autorización por escrito de Garmin. Además, Garmin se reserva el derecho a rechazar reclamaciones de garantía de productos o servicios obtenidos y/o utilizados en contra de las leyes de cualquier país.

Este producto se ha diseñado solamente para proporcionar ayuda durante el viaje y no deberá utilizarse con ningún propósito que requiera el cálculo preciso de una dirección, distancia, ubicación o topografía. Garmin no garantiza la precisión ni la integridad de la cartografía de este producto. **LAS GARANTÍAS Y RECURSOS AQUÍ EXPRESADOS SON EXCLUSIVOS Y SUSTITUYEN A CUALESQUIERA OTRAS GARANTÍAS, YA SEAN EXPRESAS, IMPLÍCITAS O REGLAMENTARIAS, INCLUIDAS LAS RESPONSABILIDADES ORIGINADAS POR CUALQUIER GARANTÍA DE COMERCIABILIDAD O IDONEIDAD PARA UN FIN DETERMINADO, YA SEAN REGLAMENTARIAS O DE OTRO TIPO. ESTA GARANTÍA PROPORCIONA DERECHOS LEGALES ESPECÍFICOS QUE PUEDEN VARIAR DE ESTADO A ESTADO.**

BAJO NINGÚN CONCEPTO GARMIN SE HARÁ RESPONSABLE POR DAÑOS IMPREVISTOS, ESPECIALES, INDIRECTOS O EMERGENTES (INCLUIDOS, SIN LIMITACIÓN, LOS DAÑOS DEBIDOS A CITACIONES O MULTAS DE TRÁFICO), TANTO SI SON RESULTADO DE LA UTILIZACIÓN, LA MALA UTILIZACIÓN O EL DESCONOCIMIENTO DEL MANEJO DEL PRODUCTO COMO SI LO SON POR DEFECTOS EN ÉSTE. EN ALGUNOS ESTADOS NO SE PERMITE LA EXCLUSIÓN DE DAÑOS IMPREVISTOS

O EMERGENTES. EN ESE CASO, LAS LIMITACIONES ANTES MENCIONADAS PODRÍAN SER NO APLICABLES EN EL CASO DEL USUARIO.

Garmin se reserva, a su entera discreción, el derecho exclusivo de reparación o sustitución (por un producto nuevo o recién reparado) del dispositivo o del software del mismo, así como el reembolso completo del precio de compra. **ESTE RECURSO SERÁ ÚNICO Y EXCLUSIVO EN CASO DE INCUMPLIMIENTO DE LA GARANTÍA.**

Para obtener los servicios de garantía, ponte en contacto con el distribuidor local autorizado de Garmin o llama al departamento de asistencia de Garmin para obtener instrucciones para el envío y un número de seguimiento RMA. Embala de forma segura el dispositivo e incluye una copia de la factura original (es necesaria como comprobante de compra para las reparaciones bajo garantía). Escribe claramente el número de seguimiento en el exterior del paquete. Envía el dispositivo con los gastos de envío prepagados a cualquier estación de servicio de garantía de Garmin.

Compras en subastas en línea: Los productos adquiridos en subastas en línea no reúnen los requisitos para obtener cobertura de la garantía. No se aceptan las confirmaciones de subasta en línea como comprobante de garantía. Para obtener un servicio de garantía, se necesita el original o una copia de la factura de compra original del establecimiento de compra. Garmin no sustituirá componentes que falten de cualquier paquete que se compre a través de una subasta en línea.

Ventas internacionales: según el país, los distribuidores internacionales pueden ofrecer una garantía por separado para los dispositivos adquiridos fuera de Estados Unidos. Si corresponde, los distribuidores locales de cada país ofrecen esta garantía y son estos distribuidores los que proporcionan un servicio local para el dispositivo. Las garantías del distribuidor son válidas solamente en la zona de distribución proyectada. Los dispositivos comprados en Estados Unidos o Canadá deben devolverse al centro de reparaciones autorizado por Garmin en el Reino Unido, Estados Unidos, Canadá o Taiwán para su reparación.





Informações importantes de segurança e do produto

AVISO

Caso não sejam evitadas as situações potencialmente perigosas a seguir descritas, das mesmas pode resultar um acidente ou colisão, provocando a morte ou lesões graves.

Avisos de instalação e funcionamento

- Ao instalar o dispositivo num veículo, coloque o dispositivo num local seguro de modo a que este não obstrua a visão do condutor ou interfira com os controlos do veículo, tais como o volante, os pedais ou a alavanca das mudanças. Não coloque o dispositivo em frente ou sobre um airbag. (Ver diagrama.)

Não montar em posições nas quais o campo de visão do condutor fica bloqueado.



Não instalar em frente ao campo de acção de um airbag. fixada ao mesmo.

Não colocar a unidade no painel de instrumentos do veículo sem que esteja devidamente

- O suporte do pára-brisas pode não manter-se fixo ao pára-brisas em determinadas circunstâncias. Não coloque o suporte num local onde possa constituir distração no caso de se soltar. Mantenha o pára-brisas limpo para ajudar a assegurar que o suporte se mantém no pára-brisas.
- Tenha sempre bom-senso e utilize o veículo de forma segura. **Não se distraia com o dispositivo durante a condução e esteja sempre consciente das condições de condução.** Durante a condução, reduza o tempo dedicado ao visionamento do ecrã do dispositivo e utilize as instruções sonoras sempre que possível.
- Durante a condução, não introduza destinos, mude as definições ou aceda a funções que exijam a utilização prolongada dos comandos do dispositivo. Para efectuar tais operações, encoste de forma legal e segura.
- Durante a navegação, compare cuidadosamente as

informações apresentadas no dispositivo com todas as fontes de navegação disponíveis, incluindo os sinais de trânsito, cortes de estrada, condições do pavimento, congestionamento de tráfego, condições meteorológicas e outros factores que possam afectar a segurança da condução. Por razões de segurança, esclareça todas as discrepâncias antes de continuar a navegação e respeite os sinais de trânsito e as condições do pavimento.





- A unidade destina-se ao fornecimento de sugestões de rota. Não substitua a atenção e bom-senso do condutor. **Não siga as sugestões de rota se estas sugerirem manobras perigosas ou ilegais ou possam colocar o veículo numa situação de perigo.**

Avisos relativos à bateria

No caso de não cumprimento destas instruções, a vida útil da bateria interna de iões de lítio poderá diminuir e a bateria poderá apresentar o risco de provocar danos no dispositivo de GPS, incêndios, queimaduras químicas, fuga de electrólitos e/ou ferimentos.

- Não deixe o dispositivo exposto a uma fonte de calor ou num local sujeito a temperaturas elevadas, por exemplo, ao sol num veículo abandonado. Para evitar danos, retire o dispositivo do veículo ou guarde-o num local afastado da exposição solar, tal como o porta-luvas.
- Não perfure nem incinere o dispositivo ou a bateria.
- A temperatura de armazenamento do dispositivo durante um período alargado de tempo deverá situar-se no seguinte intervalo: entre os -0° e os 25°C .
- Não utilize o dispositivo fora do seguinte intervalo de temperatura: entre os -20° e os 55°C .
- Contacte o seu departamento local de tratamento de resíduos para eliminar correctamente o dispositivo/a bateria de acordo com as leis e regulamentos locais aplicáveis.

Avisos adicionais para baterias substituíveis pelo utilizador:

- Não utilize objectos afiados para retirar a bateria.
- Mantenha a bateria fora do alcance das crianças.
- Não desmonte, perfure ou danifique a bateria.
- Se utilizar um carregador de bateria externo, utilize apenas um acessório Garmin aprovado para o seu produto.
- Substitua a bateria apenas pela bateria de substituição correcta. A utilização de outra bateria representa um risco de incêndio ou explosão. Para adquirir uma bateria de substituição, consulte o seu representante Garmin ou o Web site Garmin.

Aviso adicional de bateria não substituível pelo utilizador:

- Não retire nem tente retirar a bateria não substituível pelo utilizador.

AVISO

Aviso de Transmissores FM na Europa

Devido a restrições específicas impostas às frequências de rádio, a utilização de transmissores FM é ilegal nalguns países europeus. Para assegurar o cumprimento da legislação, deverá verificar as normas nacionais de todos os países europeus nos quais pretende utilizar o transmissor FM. É da responsabilidade do utilizador o cumprimento das leis e normas aplicáveis no país de utilização.

Para obter uma lista dos países que proíbem actualmente a utilização de transmissores FM e dos países que exigem a obtenção de uma licença antes de utilizar um transmissor FM, consulte www.garmin.com/fm-notice.

Informações dos dados do mapa

A Garmin recorre a uma combinação de fontes de dados privadas e governamentais. Quase todas as fontes de dados contêm informações de alguma forma imprecisas ou incompletas. Em alguns países, não se encontram disponíveis informações do mapa completas e exactas ou as mesmas têm custos proibitivos.

Declaração de Conformidade

Por este meio, a Garmin declara que esta unidade cumpre os requisitos fundamentais e restantes provisões aplicáveis constantes da Directiva 1999/5/CE. Para ver a Declaração de Conformidade completa, ir para www.garmin.com.

Marcação CE

Se o seu dispositivo possuir a marcação CE, este dispositivo utiliza bandas de frequência não harmonizadas na UE e/ou a utilização do dispositivo está sujeita a restrições impostas por um ou mais Estados-Membros.

Garantia Limitada

Este produto Garmin encontra-se garantido contra defeitos de materiais ou de fábrica durante um ano a partir da data de compra. Durante este período, a Garmin reparará





ou substituirá os componentes que não apresentem o desempenho normal esperado, por decisão própria. Tais reparações ou substituições serão realizadas sem quaisquer encargos para o cliente no que respeita a peças e mão-de-obra, desde que o cliente se responsabilize pelos custos de transporte. Esta garantia não se aplica a: (i) danos na aparência, como riscos, cortes e mossas; (ii) peças consumíveis, como pilhas, excepto se a danificação do produto se dever a algum defeito de materiais ou fabrico; (iii) danos causados por acidente, abuso, utilização incorrecta, água, inundação, incêndio ou outras catástrofes naturais ou causas externas; (iv) danos causados por reparações efectuadas por alguém que não um fornecedor de serviços autorizado da Garmin; ou (v) danos em qualquer produto que tenha sido sujeito a modificações ou alterações sem a autorização escrita da Garmin. Além disso, a Garmin reserva-se o direito de recusar serviços de garantia de produtos ou reparações obtidos e/ou utilizados em transgressão das leis de qualquer país.

Este produto foi concebido para ser usado exclusivamente como um auxiliar de viagens, não podendo ser nunca utilizado para quaisquer finalidades que requeiram medições exactas da direcção, distância, localização ou topografia. A Garmin não oferece quaisquer garantias quanto à exactidão ou precisão dos dados do mapa neste produto.

AS GARANTIAS E RECURSOS ENUMERADOS NESTE DOCUMENTO SÃO EXCLUSIVOS E SUBSTITUEM QUALQUER OUTRA GARANTIA EXPLÍCITA, IMPLÍCITA OU ESTATUTÁRIA, INCLUINDO A RESPONSABILIDADE RESULTANTE DE QUALQUER GARANTIA DE COMERCIABILIDADE OU ADEQUAÇÃO PARA UM DETERMINADO FIM, ESTATUTÁRIO OU OUTRO. ESTA GARANTIA CONCEDE-LHE DIREITOS LEGAIS ESPECÍFICOS, QUE PODEM VARIAR DE ESTADO PARA ESTADO. EM NENHUM CASO SERÁ ATRIBUÍDA À GARMIN RESPONSABILIDADE POR QUAISQUER DANOS INCIDENTAIS, ESPECIAIS, INDIRECTOS OU CONSEQUENTES, INCLUINDO, ENTRE OUTROS, PREJUÍZOS RESULTANTES DE QUALQUER MULTAS

DE TRÂNSITO, CAUSADOS PELA UTILIZAÇÃO, MÁ UTILIZAÇÃO OU INCAPACIDADE DE USAR O PRODUTO OU POR DEFECTOS DO MESMO. ALGUNS ESTADOS NÃO PERMITEM A EXCLUSÃO DE DANOS INCIDENTAIS OU CONSEQUENCIAIS, PELO QUE AS LIMITAÇÕES ACIMA PODERÃO NÃO SER APLICÁVEIS AO SEU CASO.

A Garmin reserva-se o direito exclusivo de reparar ou substituir (com um produto de substituição novo ou renovado) o dispositivo ou software ou oferecer um reembolso total do preço de compra à sua exclusiva discrição. **TAL RECURSO CONSTITUIRÁ O ÚNICO E EXCLUSIVO RECURSO DO PROPRIETÁRIO EM CASO DE VIOLAÇÃO DE GARANTIA.**

Para obter serviços ao abrigo da garantia contacte o seu representante autorizado Garmin; em alternativa, telefone para a Assistência ao Produto Garmin e obtenha instruções de envio e um número de controlo RMA. Embale com cuidado o dispositivo e uma cópia do recibo de compra original, necessária como comprovativo de compra para a obtenção de serviços de reparação ao abrigo da garantia. Escreva o número de controlo com clareza no exterior da embalagem. O dispositivo deverá ser enviado a um dos balcões de serviços de garantia da Garmin (com gastos de envio pré-pagos).

Compras em leilões online: os produtos adquiridos em leilões online não estão cobertos pela garantia. Não são aceites confirmações de compra em leilões online para verificação da garantia. Para obtenção do serviço de garantia, é necessário o original ou cópia do talão de compra do comerciante original. A Garmin não substitui componentes em falta de qualquer embalagem adquirida através de leilões online.

Compras internacionais: dependendo do país, os distribuidores internacionais poderão fornecer uma garantia em separado para dispositivos comprados fora dos Estados Unidos. Se aplicável, tal garantia é fornecida pelo distribuidor local, o qual proporciona os serviços de reparação do dispositivo. As garantias dos distribuidores são válidas apenas na área a que se destinam. Os dispositivos





adquiridos nos Estados Unidos ou Canadá deverão ser devolvidos ao centro de reparações Garmin no Reino Unido, Estados Unidos, Canadá ou Taiwan.

Belangrijke veiligheids- en productinformatie

WAARSCHUWING

Vermijd de volgende mogelijk gevaarlijke situaties, omdat deze kunnen leiden tot een ongeval of aanrijding wat de dood of ernstig letsel tot gevolg kan hebben.

Waarschuwingen aangaande installatie en bediening

- Bevestig het toestel bij installatie in een voertuig zodanig dat het zicht van de bestuurder op de weg niet wordt belemmerd en de bediening van het voertuig middels bijvoorbeeld het stuurwiel, de pedalen of de versnellingspook, niet wordt gehinderd. Plaats het toestel niet voor of op een airbag. (zie diagram).



- De montage van de steun aan de voorruit is mogelijk niet onder alle omstandigheden definitief. Bevestig de steun niet op een plek waar deze een afleiding vormt als deze losraakt. Houd de voorruit schoon om ervoor te zorgen dat de steun goed op de voorruit bevestigd blijft.
- Houd rekening met mogelijke gevaren en bedien het voertuig op een veilige manier. **Zorg dat u tijdens het rijden niet door het toestel wordt afgeleid en blijf u volledig bewust van alle rijomstandigheden.** Kijk tijdens het rijden niet te lang op het scherm van het toestel

en maak gebruik van spraakaanwijzingen wanneer dat mogelijk is.

- Voer tijdens het rijden geen bestemmingen in, wijzig geen instellingen en maak geen gebruik van functies waarvoor u het toestel wat langer nodig hebt. Stop op een veilige en toegestane manier voordat u overgaat tot dit soort handelingen.
- Vergelijk tijdens het navigeren de informatie die wordt weergegeven op het scherm met alle beschikbare navigatiebronnen, waaronder verkeersborden, afgesloten wegen, wegomstandigheden, files en stremmingen, weersomstandigheden en andere factoren die de veiligheid tijdens het rijden in gevaar kunnen brengen. Los uit veiligheidsoverwegingen eventuele onduidelijkheden in de navigatie altijd op voordat u uw reis hervat en houd rekening met verkeersaanwijzingen en wegomstandigheden.
- Het toestel is ontworpen om aanwijzingen te geven over te volgen routes. Het toestel is geen vervanging voor aandachtig rijden. Houd altijd rekening met onverwacht gevaar. **Volg geen routevoorstellen als deze een onveilige of niet-toegestane manoeuvre inhouden of het voertuig in een onveilige situatie brengen.**

Batterijwaarschuwingen

Het niet opvolgen van deze richtlijnen kan tot gevolg hebben dat de levensduur van de interne lithium-ionbatterij wordt verkort, of dat het risico ontstaat van schade aan het GPS-toestel, brand, chemische ontbranding, elektrolytische lekkage en/of letsel.

- Stel het toestel niet bloot aan warmtebronnen of situaties met hoge temperaturen, zoals direct zonlicht in afgesloten voertuigen. Ter voorkoming van beschadigingen raden we u aan het toestel uit het voertuig te verwijderen en niet in direct zonlicht te plaatsen, maar bijvoorbeeld in het handschoenenkastje.
- Prik geen gaten in de batterij of het toestel en verbrand de batterij of het toestel niet.





- Als u het toestel gedurende langere tijd wilt opbergen, neem dan het volgende temperatuurbereik in acht: van 0° tot 25 °C (van 32° tot 77°F).
- Gebruik het toestel alleen binnen het volgende temperatuurbereik: van -20° tot 55°C (van -4° tot 131°F).
- Neem volgens plaatselijke regels contact op met de afvalverwerker om het toestel/de batterij aan het einde van de levensduur te laten recyclen.

Aanvullende waarschuwingen voor door de gebruiker vervangbare batterijen:

- Gebruik nooit een scherp voorwerp om de batterij te verwijderen.
- Bewaar een batterij buiten het bereik van kinderen.
- Haal de batterij niet uit elkaar, prik er geen gaten in en beschadig de batterij niet.
- Gebruik alleen een Garmin-accessoire dat voor uw toestel is toegestaan, wanneer u een externe batterijlader wilt gebruiken.
- Vervang de batterij alleen door een batterij van het juiste type. Gebruik van een andere batterij leidt tot brand- en explosiegevaar. Neem contact op met uw Garmin-dealer of ga naar de website van Garmin voor het kopen van een vervangende batterij.

Aanvullende waarschuwingen voor niet door de gebruiker vervangbare batterijen:

- Verwijder de batterij niet en probeer dit ook niet.

OPMERKING

Kennisgeving over de Europese FM-zender

In sommige Europese landen is het gebruik van FM-zenders niet toegestaan, vanwege beperkingen voor het gebruik van bepaalde radiofrequenties. In elk Europees land waar u de FM-zender wilt gebruiken, moet u vooraf controleren of dit volgens de plaatselijke wetten en regels is toegestaan. U bent volledig verantwoordelijk voor naleving van de wetten en regels van het land waarin u het product in gebruik hebt. Ga voor een lijst met landen waar het gebruik van FM-

zenders momenteel is verboden en landen waar u momenteel over een licentie dient te beschikken voordat u de FM-zender mag gebruiken naar: www.garmin.com/fm-notice.

Informatie over de kaartgegevens

Garmin gebruikt deels gegevensbronnen van de overheid en deels particuliere gegevensbronnen. Vrijwel alle gegevensbronnen zijn niet geheel volledig en bevatten een bepaalde mate van onnauwkeurigheid. In sommige landen zijn volledige en nauwkeurige kaartgegevens niet beschikbaar of onbetaalbaar.

Conformiteitsverklaring

Hierbij verklaart Garmin dat dit product voldoet aan de basiseisen en overige relevante bepalingen van richtlijn 1999/5/EG. De volledige conformiteitsverklaring kunt u lezen op www.garmin.com.

CE-merk

Als uw toestel een CE-merk bevat, gebruikt het frequenties die niet in alle EU-lidstaten ontvangen kunnen worden. Het beoogd gebruik van het toestel is onderhevig aan beperkingen die door een van de lidstaten worden opgelegd.

Beperkte garantie

Dit Garmin-product wordt gegarandeerd vrij te zijn van defecten in materiaal en techniek gedurende één jaar na de aankoopdatum. Binnen deze periode zal Garmin alle onderdelen waarvan een normaal gebruik niet mogelijk is, naar eigen keuze repareren of vervangen. Voor dergelijke reparaties of vervangingen zullen aan de klant geen kosten worden gefactureerd voor onderdelen of arbeid, op voorwaarde dat de klant verantwoordelijk blijft voor eventuele transportkosten. Deze garantie is niet van toepassing op: (i) cosmetische schade, zoals krassen, sneden en deuken; (ii) gebruiksvoorwerpen, zoals batterijen, tenzij productschade het gevolg is van defect materiaal of ondeugdelijk vakmanschap; (iii) schade als gevolg van ongelukken, misbruik, verkeerd gebruik, water, overstroming, brand of andere natuurrampen of externe oorzaken; (iv) schade als gevolg van onderhoud uitgevoerd door personen die niet door Garmin bevoegd zijn verklaard tot het uitvoeren van onderhoud; of (v) schade aan een





product dat is veranderd zonder de schriftelijke toestemming van Garmin. Bovendien behoudt Garmin zich het recht voor garantieclaims af te wijzen voor producten of diensten die zijn verkregen en/of gebruikt in strijd met de wetten van een land.

Dit product is uitsluitend bestemd voor gebruik als hulp bij het reizen en mag niet worden gebruikt voor doeleinden waarbij precieze metingen van richting, afstand, locatie of topografie vereist zijn. Garmin geeft geen garantie op de nauwkeurigheid of de volledigheid van de kaartgegevens in dit product.

DE GENOEMDE GARANTIES EN HERSTELMOGELIJKHEDEN ZIJN EXCLUSIEF EN IN PLAATS VAN ALLE OVERIGE GARANTIES, UITDRUKKELIJK OF IMPLICIET OF WETTELIJK, INCLUSIEF ENIGE AANSPRAKELIJKHEID ONDER ENIGE GARANTIE VOOR VERKOOPBAARHEID OF GESCHIKTHEID VOOR EEN BEPAALD DOEL, WETTELIJK OF ANDERS. DEZE GARANTIE GEEFT U SPECIFIEKE RECHTEN, DIE VAN STAAT TOT STAAT KUNNEN VARIËREN.

IN GEEN ENKEL GEVAL ZAL GARMIN AANSPRAKELIJK ZIJN VOOR ENIGE INCIDENTELE, SPECIALE, INDIRECTE OF GEVOLGSCHADE, MET INBEGRIIP VAN, MAAR NIET BEPERKT TOT SCHADE DOOR VERKEERSBOETES OF VERKEERSSITUATIES, ONGEACHT OF DEZE SCHADE HET RESULTAAT IS VAN HET GEBRUIK, MISBRUIK OF ONVERMOGEN OM DIT PRODUCT TE GEBRUIKEN, OF VAN EEN DEFECT VAN HET PRODUCT. IN BEPAALDE STATEN IS DE UITSLUITING VAN INCIDENTELE OF GEVOLGSCHADE NIET TOEGESTAAN. DE BOVENSTAANDE BEPERKINGEN ZIJN MOGELIJK NIET OP U VAN TOEPASSING.

Garmin behoudt het exclusieve recht om naar eigen keuze het toestel of de software te repareren, of vervangen (door een nieuw of gereviseerd vervangend product) of een volledige teruggave van de aankoopprijs te bieden. EEN DERGELIJKE HERSTELMOGELIJKHEID ZAL UW ENIGE EN EXCLUSIEVE HERSTELMOGELIJKHEID

ZIJN INDIEN DE GARANTIE NIET WORDT GERESPECTEERD.

Neem contact op met een gecertificeerde Garmin-dealer voor garantieservices, of neem telefonisch contact op met Garmin Productondersteuning voor verzendinstructies en een RMA-trackingnummer. Verpak het toestel deugdelijk en voeg een kopie van de oorspronkelijke verkoopnota bij als aankoopbewijs voor reparaties die onder de garantie vallen. Vermeld het trackingnummer duidelijk op de buitenkant van de verpakking. Verzend het toestel naar een garantieservicestation van Garmin. De vrachtkosten moeten vooruit zijn betaald.

Aankopen via onlineveilingen: producten die via onlineveilingen worden aangeschaft, komen niet in aanmerking voor garantie. Bevestigingen van onlineveilingen worden niet geaccepteerd als bewijs dat u recht hebt op garantie. Om gebruik te kunnen maken van de garantieservice, is de oorspronkelijke of een kopie van de aankoopnota vereist van de winkel waar u het systeem hebt gekocht. Garmin vervangt geen onderdelen van pakketten die zijn aangeschaft via een onlineveiling.

Internationale aankopen: distributeurs buiten de Verenigde Staten verstrekken mogelijk een aparte garantie voor toestellen die buiten de Verenigde Staten zijn aangeschaft. Dit kan per land verschillen. Indien van toepassing wordt deze garantie verstrekt door de lokale binnenlandse distributeur die ook lokaal service voor het toestel verleent. Garanties door distributeurs zijn alleen geldig in het gebied waarvoor de distributie is bedoeld. Toestellen die zijn gekocht in de Verenigde Staten of Canada moeten voor service worden geretourneerd naar het servicekantoor van Garmin in het Verenigd Koninkrijk, de Verenigde Staten, Canada of Taiwan.





Vigtige produkt- og sikkerhedsinformationer

ADVARSEL

Følgende potentielt farlige situationer kan resultere i ulykker eller sammenstød med død eller alvorlige personskader til følge.

Advarsler i forbindelse med installation og betjening

- Når enheden installeres i et køretøj, skal den placeres sikkert, så den ikke blokerer førerens udsyn eller påvirker køretøjets øvrige udstyr som f.eks. rat, pedaler eller gearstang. Placer ikke enheden foran eller over en airbag. (Se diagram).



- Monteringen til foruden bliver muligvis ikke siddende under alle forhold. Undgå at placere monteringen, hvor den kan virke distraherende, hvis den falder af. Hold din forrudder ren for at sikre, at monteringen bliver siddende.
- Brug altid din bedste dømmekraft til betjene køretøjet på en sikker måde. **Lad dig ikke distrahere af enheden under kørslen, og vær altid opmærksom på kørselsforholdene.** Minimer den tid, der går med at se på enhedens skærm under kørsel, og brug stemmedelelser, når det er muligt.
- Du bør ikke indtaste destinationer, ændre indstillinger eller åbne funktioner, som kræver, at du bruger enhedens kontrolfunktioner i længere tid under kørslen. Træk ind til siden på en sikker og lovlig måde, før du udfører sådanne handlinger.
- Når du bruger enheden, bør du omhyggeligt sammenholde angivelserne fra enheden med alle tilgængelige navigationskilder, bla. vejskilte, vejspæringer, vejforhold,

kødanelse, vejforhold og andre faktorer, der kan påvirke sikkerheden under kørslen. Af sikkerhedsmæssige grunde skal du altid løse eventuelle uoverensstemmelser, før du fortsætter navigationen, og rette dig efter vejskilte og vejforhold.

- Enheden er designet til at komme med forslag til ruter. Det er ikke en erstatning for opmærksomhed og god dømmekraft fra førerens side. **Undgå at følge forslag til ruter, hvis de foreslår en risikabel eller ulovlig manøvre, eller hvis de placerer køretøjet i en uhenigtsmæssig situation.**

Batteriadvvarsler

Hvis disse retningslinjer ikke overholdes, kan det interne lithiumionbatteri få en kortere levetid, eller det kan forårsage beskadigelse af GPS-enheden, brand, kemisk forbrænding, elektrolytlækage og/eller personskade.

- Efterlad ikke enheden udsat for en varmekilde eller på et sted med høj temperatur, som f.eks. i solen i et uovervåget køretøj. Du kan undgå at beskadige enheden ved at fjerne den fra køretøjet eller opbevare den uden for direkte sollys, f.eks. i handskerummet.
- Undgå at punktere eller afbrænde enheden eller batteriet.
- Ved opbevaring af enheden i en længere periode skal den opbevares inden for følgende temperaturområde: 0 ° til 25 °C (32 ° til 77 °F).
- Brug ikke enheden uden for følgende temperaturområde: -20 ° til 55 °C (-4 ° til 131 °F).
- Kontakt din lokale genbrugsstation for at få oplysninger om korrekt bortskaffelse af enheden/batteriet i overensstemmelse med gældende lovgivning.

Yderligere advarsler om det udsiftelige batteri:

- Brug ikke en skarp genstand til at fjerne batteriet.
- Opbevar batteriet uden for børns rækkevidde.
- Batteriet må ikke skilles ad, punkteres eller beskadiges.
- Hvis du bruger en eksternt batterioplader, skal du bruge Garmin-tilbehør, der er godkendt til produktet.
- Udskift kun batteriet med det rigtige batteri. Ved brug af et andet batteri er der fare for brand eller eksplosion. Kontakt





din Garmin-forhandler eller besøg Garmins websted, hvis du vil købe et nyt batteri.

Yderligere advarsler om batteriet, der ikke kan udskiftes:

- Du må ikke fjerne eller forsøge at fjerne batteriet, der ikke kan udskiftes af brugeren.

BEMÆRK

Europæisk meddelelse om FM-sendere

Det er ulovligt at bruge FM-sendere i visse europæiske lande som følge af specifikke radiofrekvensrestriktioner. Du bør kontrollere de lokale regulativer i alle de europæiske lande, som du vil bruge FM-senderen i, for at sikre dens lovlighed. Du har det fulde ansvar for at rette dig efter de love og regulativer, der findes i det land, hvor enheden anvendes.

For at få en liste over de lande, der aktuelt forbyder brugen af FM-sendere, og lande, der aktuelt kræver, at du indhenter en licens, for du bruger FM-senderen, skal du se www.garmin.com/fm-notice.

Information om kortdata

Garmin anvender en kombination af officielle og private datakilder. Næsten alle datakilder indeholder nogle uøjagtige eller ufuldstændige data. I visse lande er fuldstændig og nøjagtig kortinformation enten ikke tilgængelig, eller den er uforholdsmæssigt dyr.

Overensstemmelseserklæring

Garmin erklærer, at dette produkt overholder de essentielle krav og andre relevante dele af direktivet 1999/5/EC. Hvis du vil se hele overensstemmelseserklæringen, skal du gå til www.garmin.com.

CE-mærke

Hvis der er et CE-advarselmærke på din enhed, anvender denne enhed frekvensbånd, der ikke er harmoniseret for hele EU, og/eller den tilsigtede anvendelse af enheden er underlagt de restriktioner, der måtte gælde i et eller flere medlemslande.

Begrænset garanti

Dette produkt fra Garmin garanteres at være fri for fejl og mangler i materialer og udførelse i ét år fra købsdatoen. I denne periode vil Garmin efter eget valg reparere eller udskifte komponenter, der ikke fungerer ved normal brug. Sådanne reparationer eller udskiftninger foretages uden beregning for kunden, hvad angår reservedele og arbejds løn, mens kunden er ansvarlig for eventuelle transportomkostninger. Denne garanti dækker ikke: (i) kosmetiske skader som f.eks. ridser, skrammer og buler; (ii) forbrugsartikler som f.eks. batterier, medmindre der er opstået produktskader pga. en defekt i materialer eller udførelse; (iii) skader forårsaget af ulykker, forkert brug, misbrug, vand, oversvømmelse, brand eller andre naturkatastrofer eller udefrakommende årsager; (iv) skader pga. service, der er udført af en person, som ikke er en autoriseret serviceudbyder for Garmin; eller (v) skader på et produkt, som er blevet modificeret eller ændret uden skriftlig tilladelse fra Garmin. Garmin forbeholder sig desuden ret til at afvise garantikrav angående produkter eller tjenester, der erhverves og/eller bruges i modstrid med lovgivningen i et land.

Dette produkt er beregnet til kun at blive brugt som et rejsehjælpemiddel og må ikke anvendes til noget formål, som kræver nøjagtig måling af retning, afstand, position eller topografi. Garmin udsteder ingen garanti for, at produktets kortdata er nøjagtige eller komplette.

DE OMTALTE GARANTIER OG RETSMIDLER ER UDTØMMENDE OG TRÆDER I STEDET FOR ALLE ANDRE GARANTIER, BÅDE UDTRYKKELIGE, UNDERFORSTÅEDE OG LOVMÆSSIGE, HERUNDER EVENTUEL T ANSVAR SOM FØLGE AF GARANTI FOR SALGBARHED ELLER EGNETHED TIL ET BESTEMT FORMÅL, SOM MÅTTE SKYLDES LOVMÆSSIGE ELLER ANDRE FORHOLD. DENNE GARANTI GIVER DIG BESTEMTE JURIDISKE RETTIGHEDER, SOM KAN VARIERE FRA LAND TIL LAND.

GARMIN KAN UNDER INGEN OMSTÆNDIGHEDER HOLDES ANSVARLIG FOR HÆNDELIGE, SÆRLIGE ELLER INDIREKTE SKADER ELLER FØLGESKADER,





HERUNDER UDEN BEGRÆNSNING SKADER I FORM AF ENHVER TRAFIKBØDE ELLER STÆVNING, UANSET OM DET SKYLDES BRUG, MISBRUG ELLER FORHINDRET BRUG AF PRODUKTET ELLER FEJL I PRODUKTET. NOGLE LANDE TILLADER IKKE UDELUKKELSE AF ANSVAR FOR INDIREKTE TAB ELLER FØLGESKADER, SÅ OVENSTÅENDE BEGRÆNSNINGER GÆLDER MULIGVIS IKKE FOR DIG.

Garmin forbeholder sig den fulde ret til efter eget skøn at reparere eller udskifte enheden eller softwaren (med et nyt eller nyligt grundigt efterset erstatningsprodukt) eller tilbyde fuld refundering af købsprisen. DISSE GODTGØRELSER ER DE ENESTE LØSNINGER VED ETHVERT BRUD PÅ GARANTIEEN.

Kontakt den lokale autoriserede Garmin-forhandler for at få garantiservice, eller ring til Garmins produktsupport for forsendelsesinstruktioner og et RMA-registreringsnummer. Pak enheden sikkert ind, og vedlæg en kopi af den originale faktura, der kræves som bevis for købet, med henblik på reparation i henhold til garantien. Skriv registreringsnummeret tydeligt uden på pakken. Enheden skal sendes med forudbetalt fragt til en af Garmins garantiservicestationer.

Køb på onlineauktioner: Produkter, der er købt på onlineauktioner, er ikke berettiget til garantidækning. Onlineauktionsbekræftelser accepteres ikke som bevis på krav om garanti. Der kræves en original faktura fra forhandleren (eller en kopi af den) for at få garantiservice. Garmin vil ikke erstatte manglende dele fra en pakke, der er købt på en onlineauktion.

Internationale køb: Der udstedes muligvis en separat garanti af internationale forhandlere for enheder, som er købt uden for USA afhængigt af landet. Hvis en sådan garanti findes, gives den af den lokale forhandler i landet, og denne forhandler yder lokal service til din enhed. Forhandlergarantier gælder kun i de tilsigtede distributionsområder. Enheder, som er købt i USA eller Canada, skal returneres til Garmins servicecenter i Storbritannien, USA, Canada eller Taiwan for service.

Tårkeritå turvallisuu- ja tuotetietoja

VAROITUS

Seuraavien mahdollisesti vaarallisten tilanteiden valtamtt jttminen voi aiheuttaa onnettomuuden tai trmyksen, joka voi johtaa kuolemaan tai vakaviin vammoihin.

Asennus- ja kyttvaroitukset

- Kun asennat laitteen ajoneuvoon, aseta se tukevasti siten, ett se ei peitt kuljettajan nkvyvyt tiehen tai est ajoneuvon hallintalaitteiden (kuten ohjauspyr, polkimet tai vaihdekeppi) kytt. l aseta laitetta auton turvatyynyyn eteen tai ylpuolelle. (Katso kaaviota.)



- Tuulilasikiinnitys ei saa olla kiinnitettyn tuulilasian. l sijoita kiinnityst paikkaan, jossa se voisi irrota ja hirit ajamista. Pid tuulilasi puhtaana, jotta kiinnitys pysyy tuulilasissa.
- Kyt ajoneuvoa aina turvallisesti ja harkiten. **l anna laitteen hirit ajamista ja tarkkaile kaikkia ajo-olosuhteita.** Katso laitetta mahdollisimman vhn ajamisen aikana ja kyt niopastusta aina mahdollisuuksien mukaan.
- l syt mrnpitt, muuta asetuksia tai kyt paljon aikaa vievi toimintoja ajamisen aikana. Aja tien sivuun turvallisesti ja laillisesti ennen nit toimintoja.
- Vertaa laitteen antamia tietoja navigoinnin aikana kaikkiin muihin mahdollisiin navigointikeinoihin, kuten tienviitit, tiesulut, tieolosuhteet, liikennuruuhkat, solosuhteet ja muut ajoturvaisuuteen vaikuttavat tekijt. Selvitt turvaisuuden vuoksi kaikki epselvyydet aina ennen navigoinnin jatkamista, noudata liikennemerkkej ja huomioi tieolosuhteet.





- Laite antaa reititiedotuksia. Se ei korvaa kuljettajan tarkkaavaisuutta ja harkintaa. **Älä seuraa reititiedotuksia, jos ne edellyttävät vaarallista tai laitonta ohjausliikettä tai asettavat ajoneuvon vaaralliseen tilanteeseen.**

Akun varoitukset

Jos näitä ohjeita ei noudateta, sisäisen litiumioniakun käyttöikä saattaa lyhentyä, tai akku saattaa vahingoittaa GPS-laitetta tai aiheuttaa tulipalon, palovammoja, akkuneuvoston ja/tai fyysisiä vammoja.

- Älä jätä laitetta lähelle lämmönlähdettä tai kuumaan paikkaan, kuten auringossa olevaan valvomattomaan ajoneuvoon. Voit estää vaurioita irrottamalla laitteen ajoneuvosta tai säilyttämällä sitä pois suorasta auringonpaisteesta, esimerkiksi hansikalokeyssä.
- Älä puhkaise tai polta laitetta tai akkuja.
- Kun et käytä laitetta pitkään aikaan, säilytä sitä lämpötilassa 0-25 °C (32-77 °F).
- Älä käytä laitetta paikassa, jonka lämpötila on alle tai yli -20-55 °C (-4-131°F).
- Hävitä laite/akku paikallisten jätehuoltomääräysten mukaisesti.

Vaihdettavaa akkua koskevat lisävaroitukset:

- Älä irrota akkua terävällä esineellä.
- Säilytä akku poissa lasten ulottuvilta.
- Älä pura, puhkaise tai vahingoita akkua.
- Jos käytät ulkoista laturia, käytä vain Garminin laturia, joka on hyväksytty käytettäväksi laitteessa.
- Vaihda akku vain oikeaan vaihtoakkuun. Jonkin toisen akun käyttäminen voi aiheuttaa tulipalon tai räjähdysken. Voit ostaa vaihtoakun Garmin-myyjältä tai Garminin Web-sivustosta.

Lisävaroitukset – akut, jotka eivät ole käyttäjän vaihdettavissa:

- Älä poista tai yritä poistaa akkua, joka ei ole käyttäjän vaihdettavissa.

ILMOITUS

Euroopan ULA-lähetinlausunto

ULA-lähettimien käyttäminen on kiellettyä joissakin Euroopan maissa tiettyjen radiotaajuusrajoitusten vuoksi. Tarkista ULA-lähettimien laillisuus paikallisten säästösten mukaan kaikissa Euroopan maissa, joissa aiot käyttää laitetta. Käyttäjää hyväksyy täyden vastuun kaikkien paikallisten lakien ja säästösten noudattamisesta. Katso luettelo maista, joissa ULA-lähettimien käyttäminen on kiellettyä ja maista, joissa ULA-lähettimien käyttäminen edellyttää käyttöluvan hankkimista, osoitteesta www.garmin.com/fm-notice.

Tietoa karttatiedoista

Garmin käyttää sekä julkishallinnon että yksityisiä tietolähteitä. Lähes kaikissa tietolähteissä on joitakin vääriä tai puutteellisia tietoja. Joistakin maista ei ole saatavissa täydellisiä ja tarkkoja karttatietoja, tai ne ovat erittäin kalliaita.

Vaatimustenmukaisuusvakuutus

Garmin vakuuttaa täten, että tämä tuote on direktiivin 1999/5/EY olennaisten vaatimusten ja muiden määräysten mukainen. Katso koko vaatimustenmukaisuusvakuutus osoitteesta www.garmin.com.

CE-merkintä

Jos laitteessa on CE-varoituserkki, laite käyttää taajuuksia, joita ei ole yhtenäistetty EU:n koko alueella, ja/tai laitteen aiotua käyttöä rajoittavat jäsenvaltioiden mahdollisesti määrittämät rajoitukset.

Rajoitettu takuu

Myönnämme tämän Garmin-tuotteen materiaaleille ja työlle yhden vuoden virheettömyystakuun ostopäivästä alkaen. Tämän jakson aikana Garmin valintansa mukaan joko korjaa tai vaihtaa osat, jotka vioittuvat normaalissa käytössä. Nämä korjaukset ja vaihdot ovat asiakkaalle maksuttomia osien ja työn osalta. Asiakas on vastuussa kuljetuskuluista. Tämä takuu ei koske (i) kosmeettisia vaurioita, kuten naarmut, kolhut ja lommot, (ii) kuluvia osia, kuten akut, ellei vaurio ole aiheutunut materiaali- tai valmistusvialta, (iii)





vahinkoja, jotka aiheutuvat onnettomuudesta, väärinkäytöstä, virheellisestä käytöstä tai veden, tulvan, tulen tai muun luonnonilmiön aiheuttamista vaurioista. (iv) vaurioita, jotka aiheutuvat muun kuin valtuutetun Garmin-huoltohenkilön tekemistä huoltotoimenpiteistä tai (v) ilman Garminin kirjallista lupaa muokattuun tai muutettuun tuotteeseen aiheutuneita vaurioita. Lisäksi Garmin pitääntä oikeuden hylätä takuuvaatimukset sellaisten tuotteiden tai palvelujen kohdalla, jotka on hankittu ja/tai joita on käytetty minkä tahansa valtion lakien vastaisesti.

Tämä tuote on tarkoitettu käytettäväksi vain matkustamisen apuna eikä sitä tule käyttää mihinkään sellaiseen tarkoitukseen, joka edellyttää tarkkaa suunnan, etäisyyden, sijainnin tai topografian mittausta. Garmin ei takaa tuotteen karttatietojen tarkkuutta tai kattavuutta.

TÄSSÄ ESITETYT TAKUUT JA HYVITYKSET OVAT POISSULKEVIA JA NE KORVAAVAT KAIKKI MUUT NIMENOMAISET, OLETETUT JA LAKISÄÄTEISET TAKUUT, ESIMERKIKSI TAKUUN, JOKA AIHEUTUU VASTUUSTA TUOTTEEN MYYNTELKELPOISUUDESTA TAI SOPIVUUDESTA TIETTYYN TARKOITUKSEEN. TÄMÄ TAKUU ANTAA KÄYTTÄJÄLLE TIETTYJÄ LAJIN MUKAISIA OIKEUKSIA, JOTKA VAHITTELEVAT OSAVALTIOITTAIN JA MAITTAIN.

GARMIN EI VASTAA MISSÄÄN TAPAUKSESSA MISTÄÄN VÄLILLISISTÄ, ERITYISISTÄ, EPÄSUORISTA TAI SEURANNAISISTA VAHINGOISTA, MUKAAN LUKIEN RAJOITUKSETTA VAHINGOT MAHDOLLISISTA LIIKENNESAKOT TAI -HAASTEET RIIPPUMATTA SIITÄ, JOHTUVATKO NE TUOTTEEN KÄYSTÄ, VÄÄRINKÄYSTÄ TAI KÄYTÖN ESTYMESESTÄ TAI TUOTTEEN VIOISTA. JOTKIN VALTIOT EIVÄT SALLI VÄLILLISTEN TAI SEURANNAISTEN VAHINKOJEN POIS RAJAAMISTA TAI RAJOITTAMISTA, JOTEN YLLÄ OLEVAT RAJOITUKSET EIVÄT EHKÄ KOSKE KAIKKIA KÄYTTÄJIÄ.

Garmin pitääntä yksinomaisen oikeuden korjata tai vaihtaa järjestelmän (uuteen tai huollettuun korvaavaan tuotteeseen) tai ohjelmiston tai palauttaa ostohinnan kokonaisuudessaan

yksinomaisen harkintansa mukaisesti. TÄMÄ HYVITYS ON AINOAA KÄYTTÄJÄN SAAMA HYVITYS TAKUURIKKOMUKSESTA.

Saat takuuhuoltoa ottamalla yhteyden paikalliseen Garminin valtuutettuun myyjään tai pyytämällä lähetysohjeet ja RMA-seurantamumeron Garminin puhelintuesta. Pakkaa laite ja alkuperäisen ostokuitin kopio huolellisesti. Kuitti tarvitaan otostodistukseksi takuukorjauksia varten. Kirjoita seurantanumero selkeästi paketin ulkopintaan. Lähetä laite rahtikulut maksettuna mihin tahansa Garminin takuuhuoltokeskukseen.

Verkkohuutokauppaostokset: takuu ei koske verkkohuutokaupoista ostettuja tuotteita.

Verkkohuutokauppojen vahvistukset eivät käy takuukuitista Takuupalvelun saamisen ehtona on vähittäismyyjältä saatu alkuperäinen ostokuitti tai sen kopio. Garmin ei korvaa verkkohuutokaupasta hankituista pakkauksista puuttuvia osia.

Kansainväliset ostot: Yhdysvaltain ulkopuolella kansainvälisiltä jälleenmyyjiltä ostettuja järjestelmiä varten voi maan mukaan olla erillinen takuu. Mahdollisen takuun myöntää paikallinen maakohtainen jakelija, joka tarjoaa paikallista huoltoa laitteelle. Jakelijan takuut ovat voimassa ainoastaan aiotulla jakelualueella. Yhdysvalloissa tai Kanadassa ostetut laitteet on palautettava Garminin huoltokeskukseen Iossaa-Britanniassa, Yhdysvalloissa, Kanadassa tai Taiwanissa.

Viktig sikkerhets- og produktinformasjon

ADVARSEL

Unnatelse av å unngå potensielt farlige situasjoner kan føre til ulykke eller kollisjon med dødsfall eller alvorlig personskade som følge.

Advarsler om installering og bruk

- Når du installerer enheten i et kjøretøy, må du plassere den på en sikker måte, slik at den ikke hindrer førerens sikt





eller forstyrrer kjøretøyets kontroller, for eksempel rattet, pedalene eller girspaken. Ikke plasser enheten foran eller over en kollisjonspute. (Se tegning.)



- Det kan hende at frontrutebraketten ikke holder seg på plass på frontruten under alle omstendigheter. Ikke plasser braketten der den kan distrahere føreren hvis den skulle løsne. Hold frontruten ren for å sikre at braketten ikke løsner fra frontruten.
- Bruk alltid sunn fornuft, og bruk kjøretøyet på en sikker måte. **Ikke la deg distrahere av enheten mens du kjører, og vær oppmerksom på kjøreforholdene.** Begrens tiden du bruker til å se på skjermen på enheten mens du kjører, og bruk talemeldinger når du kan.
- Ikke legg inn bestemmelsessteder, endre innstillinger eller bruk funksjoner som krever utstrakt bruk av enhetens kontroller, mens du kjører. Sving inn til siden på en forsvarlig måte før du betjener enheten.
- Når du navigerer, må du sammenligne informasjon som vises på enheten, noye med alle tilgjengelige navigeringskilder, inkludert veiskilt, veisperring, veiforhold, køer, værforhold og andre faktorer som kan påvirke sikkerheten mens du kjører. For sikkerhets skyld må alltid eventuelle uoverensstemmelser oppklares før reisen fortsetter. Følg veiskilt, og ta hensyn til veiforhold.
- Enheten er laget for å gi forslag til kjøreruter. Den erstatter ikke førerens behov for å følge med på veien eller sunn fornuft. **Ikke følg forslag til kjøreruter hvis det foreslås en risikabel eller ulovlig manøver eller hvis det vil sette kjøretøyet i en risikabel situasjon.**

Batteriadvarsler

Hvis disse retningslinjene ikke overholdes, kan levetiden til det innebygde litiumionbatteriet forkortes, eller det kan

oppstå fare for skade på GPS-enheten, brann, kjemiske brannår, elektrolyttlekkasje og/eller skader.

- Ikke la enheten ligge ved en varmekilde eller et sted med høy temperatur, for eksempel i solen i en bil uten tilsyn. Ta enheten ut av bilen, eller legg den i hanskerommet, slik at den ikke utsettes for direkte sollys. Slik unngår du at den blir skadet.
- Enheten eller batteriet må ikke punkteres eller brennes.
- Hvis du skal oppbevare enheten over lengre tid, må du oppbevare den innenfor følgende temperaturområde: 0 til 25 °C (32 til 77 °F).
- Ikke bruk enheten utenfor følgende temperaturområde: -20 til 55 °C (-4 til 131 °F).
- Kontakt den lokale avfallsstasjonen for å kassere enheten/batteriet i henhold til lokale lover og regler.

Tilleggsadvarsler for batterier som brukeren kan bytte ut:

- Ikke ta ut batteriet med en skarp gjenstand.
- Oppbevar batteriet utilgjengelig for barn.
- Ikke ta batteriet fra hverandre, stikk hull på det eller påfør det skader.
- Hvis du bruker en ekstern batterilader, skal du bare bruke Garmin-tilbehøret som er godkjent for produktet.
- Bytt bare ut batteriet med riktig batteri. Bruk av et annet batteri medfører fare for brann eller eksplosjon. Når du vil kjøpe et nytt batteri, kan du kontakte Garmin-forhandleren din eller gå inn på Garmins webområde.

Tilleggsadvarsler for batterier som brukeren ikke kan bytte ut:

- Ikke ta ut eller prøv å ta ut ikke-utbyttbare batterier.

MERKNAD

Merknad om FM-sender i Europa

Bruk av FM-sendere er for øyeblikket ikke tillatt i visse europeiske land på grunn av enkelte radiofrekvensbegrensninger. Du må kontrollere det lokale regelverket i alle europeiske land der du har tenkt å bruke FM-senderen, for å sikre at det er lovlig. Du påtar deg alt





ansvar for å overholde alle relevante lover og forskrifter som gjelder i landet der du bruker enheten.

Hvis du vil ha en liste over alle land som per i dag ikke tillater bruk av FM-sendere, og land der du må innhente lisens før du kan bruke FM-senderen, kan du se www.garmin.com/fm-notice.

Kartdatainformasjon

Garmin bruker en kombinasjon av offentlige og private datakilder. Så å si alle datakilder inneholder til en viss grad uriktige eller ufullstendige data. I noen land er fullstendig og nøyaktig kartinformasjon enten ikke tilgjengelig eller uforholdsmessig dyr.

Samsvarserklæring

Garmin erklærer herved at dette produktet samsvarer med hovedkravene og andre relevante bestemmelser i direktivet 1999/5/EF. Hvis du vil se hele samsvarserklæringen, kan du gå til www.garmin.com.

CE-merke

Hvis det finnes et CE-varselmerke på enheten din, betyr det at enheten bruker frekvensbånd som ikke er samkjørt i Europa, og/eller at bruken av enheten er underlagt restriksjoner i ett eller flere medlemsland.

Begrenset garanti

Dette Garmin-produktet garanteres å være feilfritt med hensyn til materiell og utførelse i ett år fra kjøpsdatoen. I denne perioden vil Garmin, etter eget valg, reparere eller skifte ut enhver komponent som ikke fungerer ved normal bruk. Slike reparasjoner eller utskiftinger utføres kostnadsfritt for kunden, både når det gjelder deler og arbeid, forutsatt at kunden selv dekker eventuelle transportkostnader. Denne garantien gjelder ikke: (i) kosmetiske skader, for eksempel riper, hakk og bulker; (ii) forbruksdeler, for eksempel batterier, med mindre produktet har blitt skadet på grunn av en defekt i materialet eller utførelsen; (iii) skade som skyldes uhell, misbruk, feilaktig bruk, vann, flom, brann eller andre naturhendelser eller eksterne årsaker; (iv) skade som skyldes service som er utført av personer som ikke er autoriserte serviceleverandører for Garmin; eller (v) skade på et produkt

som har blitt endret uten skriftlig tillatelse fra Garmin. I tillegg forbeholder Garmin seg retten til å nekte garantikrav mot produkter eller tjenester som er innhentet og/eller som brukes i strid med lovene i et hvilket som helst land.

Dette produktet er bare beregnet på å brukes som en reisehjelp og skal ikke brukes til eventuelle formål som krever nøyaktig måling av retning, distanse, posisjon eller topografi. Garmin gir ingen garanti for nøyaktigheten eller fullstendigheten til kartdataene i dette produktet.

DE GARANTIER OG RETTSMIDLER SOM ER NEDFELT HER, ER EKSKLUSIVE OG ERSTATTER ALLE ANDRE GARANTIER, UTTRYKKELIGE, UNDERFORSTÅTTE ELLER LOVPÅLAGTE, INKLUDERT ETHVERT ERSTATNINGSANSVAR SOM OPPSTÅR SOM ET RESULTAT AV GARANTIER OM SALGBARHET ELLER EGNETHET FOR ET BESTEMT FORMÅL, LOVPÅLAGTE ELLER ANDRE. DENNE GARANTIEN GIR DEG SPESIFIKKE JURIDISKE RETTIGHETER, SOM KAN VARIERE FRA LAND TIL LAND. IKKE UNDER NOEN OMSTENDIGHETER SKAL GARMIN HOLDES ERSTATNINGSANSVARLIG FOR EVENTUELLE TILFELDIGE, SPESEIELLE ELLER INDIREKTE SKADER ELLER FØLGESKADER, INKLUDERT UTEN BEGRENSNINGER EVENTUELLE TRAFIKKBØTER ELLER STEVNINGER SOM SKYLDES BRUK AV, FEILAKTIG BRUK AV ELLER MANGLENDE EVNE TIL Å BRUKE PRODUKTET ELLER PRODUKTFEIL. NOEN LAND TILLATER IKKE ANSVARSFRITAK VED TILFELDIGE SKADER OG FØLGESKADER, OG DET ER DERFOR MULIG AT BEGRENSNINGENE OVENFOR IKKE GJELDER FOR DEG.

Garmin forbeholder seg retten til, etter egen vurdering, å reparere eller erstatte (med et nytt eller nylig reparert produkt) enheten eller programvaren eller tilby full refusjon av kjøpesummen. DETTE RETTSMIDDELET VIL VÆRE DITT ENESTE OG EKSKLUSIVE RETTSMIDDEL VED EVENTUELLE GARANTIBRUDD.

Hvis du ønsker garantiservice, kan du kontakte din nærmeste autoriserte Garmin-forhandler eller ringe Garmins





produktstötte för å få instruksjoner om frakt og et RMA-sporingsnummer. Pakk inn enheten godt, og legg ved en kopi av kvitteringen, som kreves som kjøpsbevis for å kunne motta garantiservice. Skriv sporingsnummeret tydelig på utsiden av pakken. Send enheten med betalt porto til et hvilket som helst Garmin-verksted som tilbyr garantiservice.

Kjøp på Internett-auksjoner: Produkter som er kjøpt på Internett-auksjoner, dekkes ikke av garanti. Bekreftelser fra auksjoner på Internett godtas ikke som dokumentasjon i garantissaker. Det kreves en original kvittering eller en kopi av kvitteringen fra det opprinnelige utsalgsstedet for at en reparasjon skal dekkes av garanti. Garmin vil ikke erstatte manglende komponenter fra en pakke som er kjøpt via en auksjon på Internett.

Internasjonale kjøp: En separat garanti kan gis av internasjonale distributører for enheter som er kjøpt utenfor USA, avhengig av landet. Hvis aktuelt gis denne garantien av den lokale distributøren, og denne distributøren utfører lokal service på enheten. Distributørgarantier er bare gyldige i området for tiltenkt distribusjon. Enheter som er kjøpt i USA eller Canada, må returneres til Garmin-servicesenteret i Storbritannia, USA, Canada eller Taiwan for service.

Viktig sikkerhets- og produktinformasjon

WARNING

Om du inte undviker følgende farliga situationer kan det resultera i en olycka eller kollisjon som kan sluta med dødsfall eller allvarlig personskada.

Varningar vid installation och användning

- När du installerar enheten i ett fordon ska enheten placeras på ett säkert sätt. Den får inte blockera förarens sikt över vägen eller förhindra användningen av fordonets instrument, såsom ratt, pedaler eller växelspåk. Enheten får ej placeras framför eller ovanför krockkuddar. (Se illustration.)



- Fästet på vindrutan kan under vissa omständigheter lossna. Placera inte fästet där det skulle distrahera föraren om det lossnade. Håll vindrutan ren så bidrar det till att fästet sitter kvar på vindrutan.
- Använd alltid ditt bästa omdöme och manövrera fordonet på ett säkert sätt. **Låt inte enheten distrahera dig under tiden du kör och var alltid aktsam på alla körförhållanden.** Minimera den tid du tittar på enhetens skärm under tiden du kör och använd röstmeddelanden när det är möjligt.
- Du ska inte lägga in mål, ändra inställningar eller använda funktioner som kräver långvarig användning av enhetens kontroller under tiden du kör. Kör av på ett säkert och lagligt sätt innan du försöker dig på sådana åtgärder.
- När du navigerar ska du noggrant jämföra information som enheten visar med alla tillgängliga navigeringskällor inklusive vägskyltar, avstängda vägar, vägförhållanden, trafikstockning, väderleksförhållanden och andra faktorer som kan påverka säkerheten under körning. Åtgärda alltid för säkerhets skull alla avvikelser innan du fortsätter navigeringen och uppmärksamma alla vägskyltar och vägförhållanden.
- Enheten är utformad för att ge rutförslag. Den ersätter inte förarens uppmärksamhet och goda omdöme. **Följ inte rutförslag om de medför en osäker eller olaglig manöver eller skulle placera fordonet i en situation som inte är säker.**

Batterivarningar

Om dessa riktlinjer inte följs kan det interna litiumjonbatteriets livslängd förkortas eller också kan det orsaka skada på GPS-enheten, brand, kemisk brännkada, elektrolytläckage och/eller personskada.





- Utsätt inte enheten för varma källor och lämna den inte på en varm plats, t.ex. i en bil parkerad i solen. För att förhindra att skador uppstår ska enheten tas med från bilen eller skyddas från direkt solljus, till exempel genom att läggas i handskfacket.
- Enheten eller batteriet får inte punkteras eller utsättas för eld.
- När enheten förvaras under längre tid bör temperaturen vara mellan 0 och 25 °C (mellan 32 och 77 °F).
- Enheten ska inte användas utanför temperaturintervallet -20 till 55 °C (-4° till 131 °F).
- Kontakta lokala avfallsmyndigheter för information om var du kan kasta enheten/batteriet i enlighet med tillämpliga lokala lagar och bestämmelser.

Fler varningar om utbytbara batterier:

- Använd inte ett vast föremål när du tar bort batteriet.
- Håll batteriet utom räckhåll för barn.
- Du får inte ta isär, punktera eller skada batteriet.
- Använd bara Garmin-tillbehör som är godkända för din produkt om du vill använda en extern batteriladdare. Använd endast rätt sorts batteri vid byte. Om du använder ett annat batteri finns risk för brand eller explosion. Hos din Garmin-återförsäljare eller på Garmins webbplats finns information om var du köper ett ersättningsbatteri.

Fler varningar om batterier som inte kan bytas ut av användaren:

- Försök inte ta bort ett batteri som inte går att byta ut av användaren.

MEDELLANDE

Meddelande om FM-sändare i Europa

Användningen av FM-sändare är för närvarande förbjudet i vissa europeiska länder på grund av restriktioner gällande specifika radiofrekvenser. Du måste kontrollera de lokala föreskrifterna i samtliga de europeiska länder där du avser att använda FM-sändaren för att säkerställa att det är lagligt. Du har fullt ansvar att följa alla sådana lagar och föreskrifter som gäller det land där du använder enheten.

En lista över länder som för närvarande förbjuder användningen av FM-sändare och länder som kräver licens innan du använder FM-sändaren finns på www.garmin.com/fm-notice.

Information om kartdata

Garmin använder en kombination av privata datakällor och datakällor från myndigheter. Så gott som alla datakällor innehåller en del felaktiga eller ofullständiga data. I vissa länder är fullständig och exakt kartinformation inte tillgänglig eller överkomligt dyr.

Överensstämmelseförklaring

Härmed intygar Garmin att den här produkten uppfyller de grundläggande kraven och andra tillämpliga föreskrifter i direktiv 1999/5/EG. Den fullständiga överensstämmelseförklaringen finns på www.garmin.com.

CE-meddelande

Om CE-varningsmeddelandet syns på enheten så använder den frekvensband som inte är harmoniserade inom hela EU, och/eller så ifrågasätts enhetens avsedda användning av en eller flera medlemsstater.

Begränsad garanti

Den här Garmin-produkten garanteras vara fri från defekter i material och utförande i ett år från inköpsdatumet. Under denna tid kommer Garmin efter eget gottfinnande att reparera eller ersätta komponenter som inte fungerar under normal användning. Sådana reparationer eller ersättningar görs utan någon avgift för konsumenten vad gäller delar eller arbete, förutsatt att konsumenten står för alla transportkostnader. Den här garantin gäller inte för: (i) kosmetiska skador, t.ex. repor, hack och bulor, (ii) förbrukningsdelar, t.ex. batterier, såvida inte produktskadan uppstått p.g.a. defekter i material eller arbete, (iii) skada orsakad av olycka, missbruk, vatten, översvämning, brand eller andra naturhändelser eller yttre orsaker, (iv) skada orsakad av service utförd av någon som inte är behörig serviceleverantör åt Garmin eller (v) skada på en produkt som har modifierats eller ändrats utan skriftligt tillstånd från Garmin. Garmin förbehåller sig dessutom rätten att avslå garantianspråk avseende produkter eller tjänster som skaffats och/eller använts på något sätt som strider mot





något lands lagar.

Denna produkt är endast avsedd att användas som hjälp vid resa och får inte användas till något ändamål som kräver exakt mätning av riktning, distans, plats eller topografi. Garmin garanterar inte exaktighet eller fullständighet för kartdata i denna produkt.

GARANTIERN A O GOTTGÖRELSENA SOM ANGES HÄR GÄLLER MED ENSAMRÄTT OCH I STÄLLET FÖR ALLA ANDRA GARANTIER, UTTRYCKLIGA, UNDERFÖRSTÄDDA ELLER LAGSTIFTADE, INKLUSIVE ALL ANSVARSSKYLDIGHET SOM HÄRRÖR FRÅN NÅGON GARANTI OM SÄLJBARHET ELLER LÄMPLIGHET FÖR ETT VISST ÄNDAMÅL, LAGSTIFTAD ELLER ANNAN. DENNA GARANTI GER DIG SPECIFIKA LAGLIGA RÄTTIGHETER SOM KAN VARIERA FRÅN STAT TILL STAT.

UNDER INGA OMSTÄNDIGHETER SKA GARMIN VARA ANSVARSSKYLDIGT FÖR NÅGRA TILLFÄLLIGA, SPECIELLA, INDIREKTA SKADOR ELLER FÖLJDSKADOR, INKLUSIVE, MEN INTE BEGRÄNSAT TILL, SKADOR FÖR TRAFIKBÖTER ELLER STÄMNINGAR, OAVSETT OM DE ORSKAS AV ANVÄNDNING, MISSBRUK ELLER OFÖRMÅGA ATT ANVÄNDA PRODUKTEN ELLER AV DEFEKTER I PRODUKTEN. VISSA STATER TILLÅTER INTE BEGRÄNSNING AV TILLFÄLLIGA SKADOR ELLER FÖLJDSKADOR, SÅ OVANSTÄENDE BEGRÄNSNINGAR KANSKE INTE GÄLLER DIG.

Garmin har efter eget gottfinnande ensamrätt att reparera eller ersätta (med en ny eller nyrenoverad ersättningsprodukt) enheten eller programvaran eller erbjuda full återbetalning av inköpspriset. DENNA KOMPENSATION ÄR DIN ENDA KOMPENSATION FÖR EN ÖVERTRÄDELSE AV GARANTIN.

Erhåll garantiservice genom att kontakta din lokala, Garmin- auktoriserade återförsäljare eller ring till Garmin Produktsupport för anvisningar angående frakt och ett RMA-nummer. Förpacka enheten noga med en kopia av originalkvittot. Kvittot krävs som inköpsbevis för

garantireparationer. Skriv RMA-numret tydligt på paketets utsida. Skicka enheten med frakten betald till valfritt Garmin garantiservicecenter.

Inköp via online-auktion: Produkter som köps genom onlineauktioner täcks inte av garantin. Bekräftelse på online-auktion godkänns inte som garantiverifikation. Om du vill ha garantiservice måste du ha det ursprungliga inköpskvittot, eller en kopia av den, från ursprungsåterförsäljaren. Garmin ersätter inte saknade komponenter från en förpackning som köpts via en online-auktion.

Internationella inköp: En separat garanti kan tillhandahållas av internationella distributörer för enheter som inköpts utanför USA beroende på land. Om tillämpligt tillhandahålls denna garanti av den lokala, inhemska distributören och denna distributör tillhandahåller service lokalt för din enhet. Distributörsgarantier är endast giltiga i det avsedda distributionsområdet. Enheter som inköpts i USA eller Kanada måste returneras till Garmins servicecenter i Storbritannien, USA, Kanada eller Taiwan för service.

Ważne informacje dotyczące bezpieczeństwa i produktu

OSTRZEŻENIE

Nieprzestrzeganie poniższych zaleceń może być źródłem zagrożeń prowadzących do wypadku lub kolizji, a co za tym idzie do śmierci lub poważnych obrażeń ciała.

Ostrzeżenia dotyczące instalacji i obsługi urządzenia

- Urządzenie należy zamontować w samochodzie w bezpiecznym miejscu, aby nie ograniczało widoczności w czasie jazdy ani nie utrudniało dostępu do elementów służących do obsługi pojazdu, takich jak kierownica, pedały czy dzwignia zmiany biegów. Nie wolno umieszczać urządzenia w miejscach, w których są zamontowane poduszki powietrzne, ani nad nimi. (Patrz rysunek).





Nie należy montować urządzenia w miejscu, w którym zasłania ono pole widzenia kierowcy.



Nie należy montować urządzenia w obszarze działania poduszek powietrznych.

Nie należy kłaść urządzenia luzem na desce rozdzielczej samochodu.

- Uchwyt samochodowy nie powinien być na stałe zamocowany na szybie przedniej pojazdu. Nie należy umieszczać uchwytu w miejscu, w którym — w razie jego upadku — może spowodować rozproszenie uwagi kierowcy. Należy dbać o czystość szyby przedniej, aby zapewnić prawidłową przyczepność uchwytu.
- Należy zawsze samemu oceniać sytuację i bezpiecznie kierować pojazdem. **Podczas jazdy należy zawsze koncentrować się na bieżącej sytuacji na drodze, uważając, aby nie dopuścić do rozproszenia swojej uwagi przez komunikaty urządzenia.** Czas obserwacji ekranu urządzenia podczas jazdy należy ograniczyć do minimum. O ile jest to możliwe, należy uaktywnić komunikaty głosowe.
- Podczas jazdy nie należy wprowadzać nowych pozycji, zmieniać ustawień ani korzystać z funkcji urządzenia, których obsługa wymaga poświęcenia dużej ilości czasu. Przed przystąpieniem do wykonywania takich czynności należy zatrzymać samochód w sposób bezpieczny i zgodny z przepisami.
- Podczas podróży należy dokładnie porównywać informacje pokazywane na wyświetlaczu ze wszystkimi innymi dostępnymi źródłami informacji, w tym ze znakami drogowymi, znakami zamkniętych dróg, warunkami pogodowymi i innymi czynnikami mającymi wpływ na bezpieczną jazdę. Ze względu na bezpieczeństwo przed kontynuowaniem jazdy z użyciem urządzenia należy rozstrzygnąć wszelkie wątpliwości oraz stosować się do znaków i warunków na drodze.
- Urządzenie ma za zadanie przekazywanie wskazówek dotyczących trasy przejazdu. Nie zwalnia to jednak

kierowcy z obowiązku zachowania pełnej koncentracji i rozważli. **Nie kierować się wskazówkami dotyczącymi trasy, jeśli proponują one niebezpieczny lub niedozwolony prawem manewr albo stawiają pojazd w niebezpiecznej sytuacji.**

Ostrzeżenia dotyczące baterii

Nieprzestrzeżenie poniższych zaleceń może doprowadzić do skrócenia czasu sprawnego działania baterii litowo-jonowej, a nawet grozić uszkodzeniem urządzenia GPS, pożarem, oparzeniem substancjami chemicznymi, wyciekami elektrolitu i/lub zranieniem.

- Urządzenia nie należy pozostawiać w pobliżu źródeł ciepła ani w miejscach narażonych na działanie wysokiej temperatury, np. w samochodzie zaparkowanym na słońcu. Aby uniknąć ryzyka uszkodzenia urządzenia, należy je wyjąć z samochodu albo ukryć w miejscu nienarażonym na bezpośrednie działanie promieni słonecznych, np. w schowku w desce rozdzielczej.
- Nie wolno przedziurawiać urządzeń i baterii ani wrzucać ich do ognia.
- Jeśli urządzenie nie będzie używane przez dłuższy czas, należy je przechowywać w temperaturze od 0 do 25°C (od 32 do 77°F).
- Urządzenia nie wolno używać w temperaturze wykraczającej poza zakres od -20 do 55°C (od -4 do 131°F).
- Zużyte urządzenie/baterię nienadającą się do dalszego użytku należy przekazać do punktu utylizacji i powtórnego przetwarzania odpadów zgodnie z prawem i przepisami obowiązującymi na danym obszarze.

Ostrzeżenia dodatkowe dotyczące baterii wymienianej przez użytkownika:

- Baterii nie wolno wyciągać przy użyciu ostro zakończonych przedmiotów.
- Baterię należy przechowywać w miejscu niedostępnym dla dzieci.
- Nie wolno rozbiierać baterii na części, przedziurawiać ani w jakikolwiek inny sposób naruszać integralności jej budowy.





- Należy korzystać wyłącznie z ładowarki zewnętrznej sygnowanej marką Garmin i przeznaczonej dla danego modelu urządzenia.
- Baterię oryginalną można zastąpić wyłącznie baterią zamienną odpowiedniego typu. Użycie innej baterii wiąże się z niebezpieczeństwem pożaru bądź eksplozji. Odpowiednią baterię zamienną można nabyć u dealera firmy Garmin, a także na stronie internetowej poświęconej produktom marki Garmin.

Ostrzeżenie dodatkowe dotyczące baterii, która nie podlega wymianie przez użytkownika:

- Podejmowanie jakichkolwiek prób wymontowania tej baterii jest zabronione.

UWAGA

Uwagi na temat użytkowania nadajników FM w Europie

Korzystanie z nadajników FM jest zabronione w niektórych krajach europejskich z uwagi na ograniczenia dotyczące częstotliwości radiowych. W celu zapewnienia legalności korzystania z nadajnika FM obowiązkiem użytkownika jest sprawdzenie, czy w kraju, do którego się udaje, nie jest to zabronione. Użytkownik przyjmuje na siebie pełną odpowiedzialność za pozostawanie w zgodności z odpowiednimi przepisami obowiązującymi w kraju, w którym jest używane urządzenie.

Aby zapoznać się z listą krajów, w których obowiązują zakazy używania nadajników FM, oraz krajów, w których wymagane jest uzyskanie licencji upoważniającej do korzystania z nadajnika FM, należy odwiedzić stronę www.garmin.com/fm-notice.

Dane kartograficzne

Firma Garmin wykorzystuje różne rządowe i prywatne źródła danych. Praktycznie wszystkie źródła danych zawierają pewne niedokładne lub niepełne dane. W niektórych krajach pełne i dokładne dane kartograficzne nie są dostępne lub ich cena jest zaporowa.

Deklaracja zgodności

Firma Garmin niniejszym deklaruje, że ten produkt spełnia zasadnicze wymagania dyrektywy 1999/5/WE i inne określone w niej warunki. Treść deklaracji zgodności można znaleźć na stronie www.garmin.com.

Oznaczenie CE

Jeśli urządzenie posiada oznaczenie CE Alert, oznacza to, że korzysta ono z pasm częstotliwości, które nie są zsynchronizowane na obszarze Unii Europejskiej, a użytkowanie urządzenia podlega ograniczeniom nałożonym przez jeden lub więcej krajów członkowskich.

Ograniczona gwarancja

Firma Garmin gwarantuje, że jej produkt będzie pozbawiony jakichkolwiek usterek materiałowych lub funkcjonalnych przez okres roku począwszy od dnia zakupu. W przeciągu tego czasu firma Garmin w ramach wyłączności zobowiązuje się do naprawy lub wymiany elementów, które uległy awarii w trakcie normalnego użytkowania. W przypadku tego typu naprawy lub wymiany klient będzie zwolniony od opłat za części i robociznę, jednakże z zastrzeżeniem, że ponosi odpowiedzialność za koszty transportu. Niniejsza gwarancja nie obejmuje: (i) powierzchniowych uszkodzeń, takich jak zadrapania, nacięcia lub wgniecenia; (ii) części podlegających zużyciu, takich jak baterie, chyba że uszkodzenie produktu nastąpiło wskutek wady materiałowej lub produkcyjnej; (iii) uszkodzeń powstałych wskutek wypadku, nadużycia, niewłaściwego użycia, zalania wodą, powodzi, pożaru lub innych zjawisk pogodowych bądź przyczyn zewnętrznych; (iv) uszkodzeń powstałych na skutek wykonania naprawy przez nieautoryzowany serwis; (v) uszkodzeń produktu, który został zmodyfikowany lub zmieniony bez uzyskania pisemnej zgody od firmy Garmin. Ponadto firma Garmin zastrzega sobie prawo do odrzucenia zgłoszeń reklamacyjnych dotyczących produktów lub usług uzyskanych i/lub używanych wbrew prawu obowiązującym w dowolnym kraju.

Ten produkt jest przeznaczony do wykorzystania wyłącznie jako pomoc nawigacyjna i nie powinien być wykorzystywany do jakichkolwiek celów wymagających dokładnych



pomiarów kierunku, odległości czy pozycji. Firma Garmin nie udziela żadnej gwarancji dotyczącej dokładności lub kompletności danych map dostarczonych w tym produkcie.

ZAWARTE W NINIEJSZYM DOKUMENCIE GWARANCJE I ŚRODKI ZADOŚCUCZYNIENIA SĄ WYŁĄCZNE ORAZ ZASTĘPUJĄ WSZELKIE INNE GWARANCJE WYRAŻNE, DOROZUMIANE LUB USTAWOWE, W TYM ODPOWIEDZIALNOŚĆ WYNIKAJĄCĄ Z GWARANCJI PRZYDATNOŚCI HANDLOWEJ I PRZYDATNOŚCI DO KONKRETNIEGO CELU, USTAWODAWSTWA LUB INNYCH ŹRÓDEŁ. NINIEJSZA GWARANCJA ZAPEWNIĄ UŻYTKOWNIKOWI OKREŚLONE PRAWA, KTÓRE MOGĄ SIĘ RÓŻNIĆ W ZALEŻNOŚCI OD REGIONU. W ŻADNYM PRZYPADKU FIRMA GARMIN NIE PONOSI ŻADNEJ ODPOWIEDZIALNOŚCI ZA JAKIEKOLWIEK SZKODY PRZYPADKOWE, SPECJALNE, POŚREDNIE LUB WYNIKOWE, W TYM, LECZ NIE OGRANICZAJĄC SIĘ DO, SZKODY ZWIĄZANE Z OTRZYMANIEM MANDATÓW LUB POZWÓW, POWSTAŁE W WYNIKU PRAWIDŁOWEGO LUB NIEPRAWIDŁOWEGO UŻYTKOWANIA, BRAKU MOŻLIWOŚCI KORZYSTANIA Z PRODUKTU LUB USTEREK W PRODUKCIE. NIEKTÓRE PAŃSTWA NIE ZEZWALAJĄ NA WYKLUCZENIE SZKÓD PRZYPADKOWYCH LUB WYNIKOWYCH ANI NA OGRANICZENIE WAŻNOŚCI GWARANCJI DOROZUMIANYCH, TOTEŻ POWYŻSZE OGRANICZENIA MOGĄ NIE ZNAJDOWAĆ ZASTOSOWANIA W KONKRETNYM PRZYPADKU.

Firma Garmin zastrzega sobie prawa wyłączności do naprawy i wymiany urządzenia (na nowy lub odnowiony produkt) i oprogramowania lub do zaferowania sumy równej pełnej kwocie zakupu według własnego uznania. W PRZYPADKU NARUSZENIA GWARANCJI STANOWI TO JEDYNY ŚRODEK ZADOŚCUCZYNIENIA DLA UŻYTKOWNIKA.

W celu skorzystania z usług gwarancyjnych należy skontaktować się z lokalnym, autoryzowanym dealerm firmy Garmin lub skontaktować się telefonicznie z działem

pomocy technicznej firmy Garmin w celu uzyskania informacji o wysylce i numeru reklamacji RMA. Należy bezpiecznie zapakować urządzenie i dołączyć do niego kopię dowodu zakupu (np. paragonu), który jest niezbędny do uzyskania odpowiednich napraw gwarancyjnych. Na opakowaniu należy wyraźnie zapisać numer reklamacji. Następnie urządzenie należy wysłać z góry opłaconą przesyłką do dowolnego serwisu gwarancyjnego firmy Garmin.

Zakupy na aukcjach internetowych: Produkty nabyte za pośrednictwem aukcji internetowych nie są objęte gwarancją. Potwierdzenie transakcji na aukcjach internetowych nie stanowią podstawy dla udzielenia gwarancji. Aby skorzystać z naprawy gwarancyjnej, należy przedłożyć oryginał lub kopię paragonu sprzedaży wystawionego przez sprzedawcę. Firma Garmin nie wymienia brakujących części w urządzeniach nabytych drogą aukcji internetowych.

Zakupy międzynarodowe: Zależnie od kraju do urządzeń zakupionych poza terenem USA mogą być dołączane osobne gwarancje. W stosownych przypadkach gwarancji tych udzielają lokalni dystrybutorzy krajowi i to na nich spoczywa obowiązek świadczenia usług serwisowych związanych z urządzeniem. Gwarancje udzielane przez dystrybutorów są ważne wyłącznie na obszarze, w którym prowadzą swoją działalność dystrybucyjną. Urządzenia zakupione w USA lub Kanadzie należy zwrócić do centrum serwisowego firmy Garmin w Wielkiej Brytanii, USA, Kanadzie lub Tajwanie w celu ich serwisowania.





GARMIN®

© 2010–2011 Garmin Ltd. or its subsidiaries

Garmin International, Inc.
1200 East 151st Street, Olathe, Kansas 66062, USA

Garmin (Europe) Ltd.
Liberty House, Hounsdown Business Park, Southampton, Hampshire,
SO40 9LR UK

Garmin Corporation
No. 68, Zangshu 2nd Road, Xizhi Dist., New Taipei City, 221, Taiwan (R.O.C.)

www.garmin.com

October 2011

Part Number 190-00720-90 Rev. D

Printed in Taiwan

