

FUSION® A-Class Infotainment System Installation Instructions

Important Safety Information

⚠ WARNING

See the *Important Safety and Product Information* guide in the product box for product warnings and other important information.

NOTICE

Failure to follow these cautions could result in damage to the vehicle or poor product performance.

This device must be installed according to these instructions.

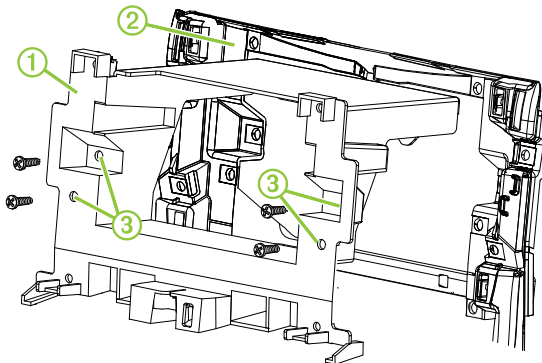
Disconnect the vehicle's power supply before beginning to install this product.

Before applying power to this product, make sure it has been correctly grounded according to the installation instructions.

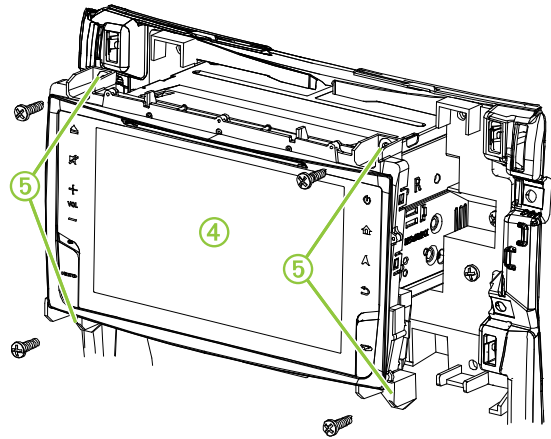
You must read all installation instructions before beginning the installation. If you experience difficulty during the installation, contact FUSION Product Support.

Installing the Infotainment System

- 1 If necessary, remove the dashboard bezel around the stereo or stereo installation location.
- 2 If necessary, remove the existing stereo or infotainment system.
- 3 Insert the included bracket ① into the dashboard ②.

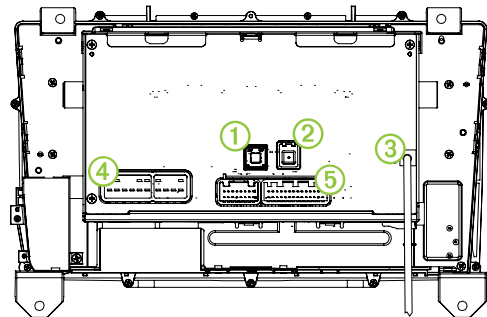


- 4 Secure the bracket to the dashboard using screws (not included) through the inner holes ③.
- 5 Connect the included wiring harnesses to the vehicle wiring harness and other A/V connectors as needed. You can consult the wiring diagrams to identify specific connectors and wires ([Wiring Harnesses, page 1](#)).
- 6 Route all harnesses and other wiring through the opening in the bracket, and make all necessary wiring connections to the back of the infotainment system ([Connector Identification, page 1](#)).
- 7 Insert the infotainment system ④ into the bracket.



- 8 Secure the infotainment system to the bracket and dashboard using screws (not included) through the outer holes ⑤.
- 9 Install the included dashboard bezel around the infotainment system.

Connector Identification



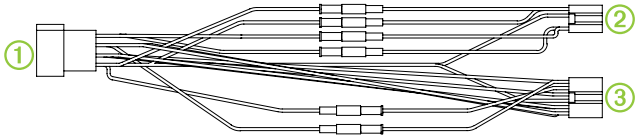
Item	Connector	Notes
①	USB	This connector is compatible with the two included USB cables.
②	GPS	This port is for the included active GPS antenna.
③	AM/FM antenna	You may need the included antenna connector adapter to connect the vehicle antenna to the system.
④	Primary wiring harness	This harness contains power and speaker wiring.
⑤	Secondary wiring harness	This harness contains additional audio/video connectors.

Wiring Harnesses

Primary Wiring Harness

The primary wiring harness contains the main power and speaker connections for the system. The harness connects directly to the stereo and to the vehicle wiring harness without modification. You can use this diagram to troubleshoot or to address non-default installation requirements.

NOTE: The power and rear speaker wires in the wiring harness have inline connectors. These connectors can be used when you need an alternative power source to power the infotainment system, or when the vehicle ISO 10487 connector does not connect to the rear speakers.

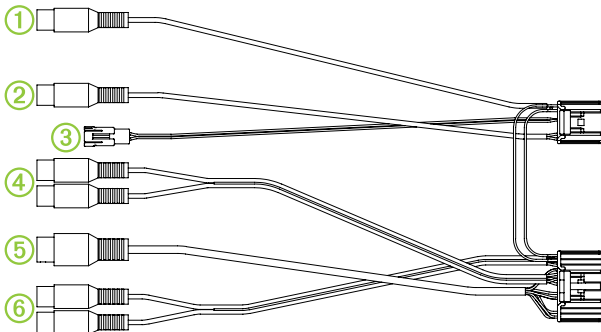


Item	Description
①	Vehicle ISO 10487 standard wiring harness connector
② and ③	Infotainment system connectors

Wire Color	Wire Function
Red	12 Vdc battery (constant)
Yellow	12 Vdc battery (switched)
Black	Ground
Orange	Illumination
Blue	Antenna power
Gray	Speaker, front right +
Gray/black	Speaker, front right -
White	Speaker, front left +
White/black	Speaker, front left -
Purple	Speaker, rear right +
Purple/black	Speaker, rear right -
Green	Speaker, rear left +
Green/black	Speaker, rear left -

Secondary Wiring Harness

The secondary wiring harness contains various audio and video input and output connections. The harness connects directly to the stereo without modification. You can use this table to troubleshoot or to identify the functions of the audio and video connectors.



Connector	Label	Function	Notes
①	RVC VIDEO	Camera video input	Used for rear view camera input only.
②	VIDEO OUT	Video output	Provides composite video out for an external monitor.
③	N/A	CAN connector	Connects directly to a CAN BUS or to a PSM connector using one of the included cables.
④	SUB L/R	Subwoofer output	Connects to a powered subwoofer. The white connector is the left channel, and the red connector is the right channel.
⑤	N/A	SiriusXM®	Connects to a SiriusXM module and antenna.
⑥	AUX IN L/R	Auxiliary audio input	Connects to a general stereo audio input. The white connector is the left channel, and the red connector is the right channel.

About the CAN Connection

Two cables are supplied to connect the infotainment system to the vehicle CAN bus, either through a Parameterizable Special Module (PSM) or directly to the vehicle CAN bus. When a PSM is available and has been programmed with software that supports this infotainment system, the PSM connection is preferred. If there is no PSM, or if the PSM is not programmed appropriately, the direct CAN connection should be used.

NOTE: You must use only one of the supplied cables to connect the infotainment system to the vehicle CAN bus.

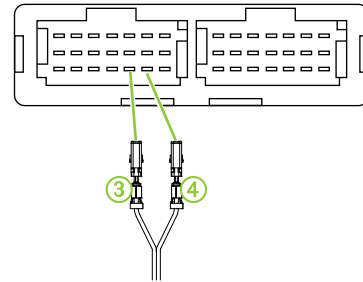
Connecting the Infotainment System to a PSM

You can use the included cable to connect the infotainment system to a PSM on a compatible vehicle.

- 1 Locate the PSM connector in the vehicle.
The PSM connector is typically located under the front left seat (the driver's seat in the United States).
- 2 Route the single connector on the PSM cable ① to the secondary wiring harness of the infotainment system, and route the double connector on the PSM cable ② to the PSM.



- 3 Connect the single connector on the PSM cable to the CAN connector on the secondary wiring harness of the infotainment system.
- 4 Insert the two pin connectors into plug 2 of the PSM connector according to the diagram and table.

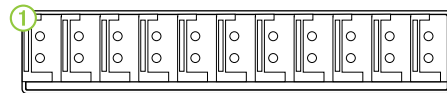


Item	Wire Color	PSM Pin
③	Brown/red	18
④	Brown	15

Connecting the Infotainment System to a CAN Bus

You can use the included cable to connect the infotainment system directly to a CAN bus distributor on a compatible vehicle.

- 1 Locate the CAN bus distributor ① in the vehicle.



The CAN bus distributor is located behind the dashboard on the left side (the driver's side in the United States). You must remove the panel on the left side of the dashboard (between the dashboard and the door frame) to access it.

- 2 Route the harness connector on the CAN cable ② to the secondary wiring harness of the infotainment system, and route the other connector on the CAN cable ③ to the CAN bus distributor behind the dashboard.



- 3 Connect the cable to the CAN connector on the secondary wiring harness of the infotainment system.

- 4 Connect the cable to the CAN bus distributor behind the dashboard.
- 5 Test the CAN functionality on the infotainment system.
- 6 Select an option:
 - If the infotainment system does not recognize the CAN connection, unplug the connector from the CAN bus distributor, rotate it 180 degrees, reconnect it, and repeat step 5.
 - If the infotainment system recognizes the CAN connection, secure the cable and continue with the installation of the infotainment system.

Specifications

Specification	Value
Input voltage	12 Vdc
Current (max.)	12 A
Output power	26 W x 4 channels (typical) 40 W x 4 channels (max.)
Temperature range	From -10° to 70°C (from 14° to 158°F)
Radio	FM: 87.70 to 107.90 MHz AM: 522 to 1611 kHz
Physical inputs and connections	Input: microSD™ (front), hdmi (front), USB (rear), AUX-in (RCA L/R, secondary harness), AV-in (rearview camera, secondary harness), SiriusXM (secondary harness), CAN (secondary harness) Output: AV-out (composite, secondary harness), subwoofer (secondary harness)
Wireless connections	2.4 GHz Bluetooth®, Wi-Fi®, and Wi-Fi CERTIFIED MiraCast™

Garmin®, the Garmin logo, FUSION®, and the Fusion logo are trademarks of Garmin Ltd. or its subsidiaries, registered in the USA and other countries. These trademarks may not be used without the express permission of Garmin.

Bluetooth® word mark and logos are owned by the Bluetooth SIG, Inc. and any use of such marks by Garmin is under license. microSD™ and the microSD logo are trademarks of SD-3C, LLC. Sirius, XM and all related marks and logos are trademarks of Sirius XM Radio Inc. Wi-Fi® is a registered mark of Wi-Fi Alliance Corporation. Wi-Fi CERTIFIED MiraCast™ is a trademark of Wi-Fi Alliance Corporation. Other trademarks and trade names are those of their respective owners.

