



Installation Instructions

You can operate this device only with compatible Garmin® devices or through a Garmin Marine Network. See your Garmin dealer or go to www.garmin.com for more details.

Important Safety Information

⚠ WARNING

See the *Important Safety and Product Information* guide in the product box for product warnings and other important information.

The unit transmits electromagnetic energy. Ensure that the device is installed according to the recommendations in these instructions and that all personnel are clear of the path of the beam before transmitting. When properly installed and operated, the use of this device conforms to the requirements of ANSI/IEEE C95.1-1992 Standard for Safety Levels with Respect to Human Exposure to Radio Frequency Electromagnetic Fields.

When the unit is transmitting, do not look directly at the antenna at close range; eyes are the most sensitive part of the body to electromagnetic energy.

When connecting the power cable, do not remove the in-line fuse holder. To prevent the possibility of injury or product damage caused by fire or overheating, the appropriate fuse must be in place as indicated in the product specifications. In addition, connecting the power cable without the appropriate fuse in place will void the product warranty.

⚠ CAUTION

This device should be used only as a navigational aid. Do not attempt to use the device for any purpose requiring precise measurement of direction, distance, location, or topography.

Always wear safety goggles, ear protection, and a dust mask when drilling, cutting, or sanding.

NOTICE

When drilling or cutting, always check what is on the opposite side of the surface.

Registering Your Device

Help us better support you by completing our online registration today.

- Go to <http://my.garmin.com>.
- Keep the original sales receipt, or a photocopy, in a safe place.

Contacting Garmin Product Support

- Go to www.garmin.com/support and click **Contact Support** for in-country support information.
- In the USA, call (913) 397.8200 or (800) 800.1020.
- In the UK, call 0808 2380000.
- In Europe, call +44 (0) 870.8501241.

Loading the New Software on a Memory Card

The device may contain a software-update memory card. If so, follow the instructions provided with the card. If a software update memory card is not included, you must copy the software update to a memory card.

- 1 Insert a memory card into the card slot on the computer.
- 2 Go to www.garmin.com/support/software/marine.html.
- 3 Select **Download** next to “Chartplotters with SD card”.
- 4 Read and agree to the terms.
- 5 Select **Download**.
- 6 Select **Run**.
- 7 Select the drive associated with the memory card, and select **Next > Finish**.

Updating the Device Software

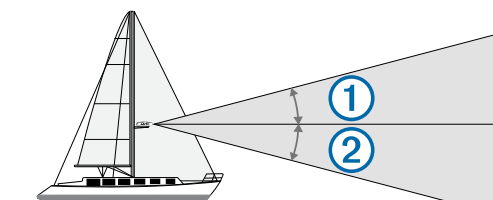
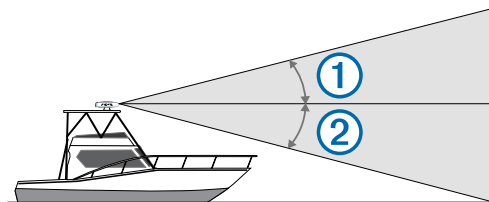
Before you can update the software, you must obtain a software-update memory card or load the latest software onto a memory card.

- 1 Turn on the chartplotter.
- 2 Insert the memory card into the card slot.
- 3 Follow the on-screen instructions.
- 4 Wait several minutes while the software update process completes.
The device returns to normal operation after the software update process is complete.
- 5 Remove the memory card.

Mounting Considerations

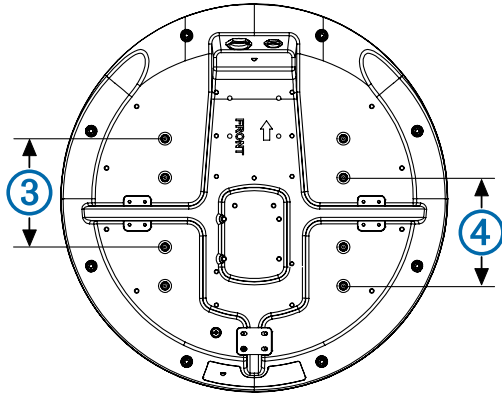
To complete the installation, you need the appropriate fasteners, tools, and mounts. These items are available at most marine dealers.

- It is highly recommended that the device is mounted out of range of personnel, with the horizontal beam width above head height.
- The device should be mounted high above the ship's keel line with minimal blockage between the vessel and the radar beam. Obstructions may cause blind and shadow sectors, or generate false echoes. The higher the installation position, the farther the radome can detect targets.
- The device should be mounted on a flat surface or a platform that is parallel to the vessel's water line and is sturdy enough to support the device's weight. The weight for each model is listed in the product specifications.
- Most beams spread vertically 12.5° above ① and 12.5° below ② the device's radiating element. On vessels with higher bow angles at cruise speed, the installation angle can be lowered to point the beam slightly downward to the waterline while at rest. Use shims if necessary.



- The unit has two mounting options when installed on a standard marine mount. One mounting option is closer to the

center of the unit ③, and the second option is offset towards the back ④ to allow for installation closer to a mast or structure.



- The device should be mounted away from heat sources such as smoke stacks and lights.
- The device should be mounted at a different level than horizontal spreaders and mast crossrees.
- To avoid interference with a magnetic compass, the device should not be mounted closer to a compass than the compass-safe distance value listed in the product specifications.
- Other electronics and cables should be mounted more than 2 m (6 ½ ft.) from the radar beam path.
- GPS antennas should be either above or below the radar beam path.
- The device should be mounted at least 1 m (40 in.) from any transmitting equipment.
- The device should be mounted at least 1 m (40 in.) away from cables carrying radio signals such as VHF radios, cables, and antennas.

For Single Side Band (SSB) radios, increase the distance to 2 m (78 ¾ in.).

Cable Considerations

It may be necessary to drill 31.7 mm (1 ¼ in.) holes for routing the power or network cable. The provided rubber cable grommet can be used to cover a cable installation hole.

- The grommet does NOT provide a waterproof seal. To make the grommet waterproof, marine sealant must be applied.
- Additional cable grommets can be purchased from Garmin or a Garmin dealer.

When installing the power and network cables, you should observe these considerations.

- Cutting the Garmin Marine Network cable is not recommended, but a field install kit can be purchased from Garmin or a Garmin dealer if cutting the network cable is necessary.
- To ensure safety, appropriate tie-wraps, fasteners, and sealant should be used to secure the cable along the route and through any bulkheads or the deck.
- Cables should not be run near moving objects and high-heat sources or through doorways and bilges.
- To avoid interference with other equipment, power and network cables should not be run next to or parallel to other cables, such as radio antenna lines or power cables. If this is not possible, the cables should be shielded with metal conduit or a form of EMI shielding.
- The power cable should be installed as close to the battery source as possible.

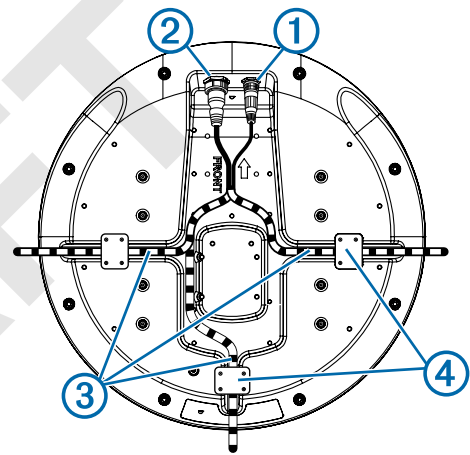
- If is necessary to extend the power cable, the appropriate gauge of wire must be used as directed in these instructions.
- Incorrectly extended runs of cable may cause the radar to malfunction due to insufficient power transmission.

Mounting the unit

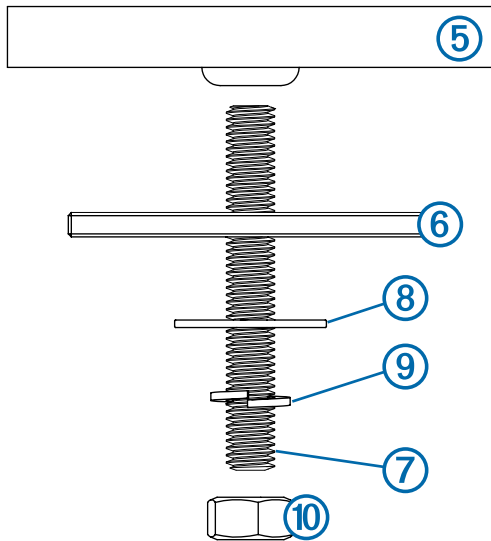
Before you mount the unit, you must review the mounting location considerations and select a mounting location.

NOTE: The supplied M8 x 1.25 x 60 threaded rods can be used on mounting thicknesses of 5 to 30 mm ($\frac{3}{16}$ to $1\frac{3}{16}$ in.) (recommended). For surfaces over 30 mm ($1\frac{3}{16}$ in.), use longer threaded rods.

- 1 If you are not installing the device on a pre-drilled Garmin-compatible radar mount, use the included mounting template to drill four 9.5 mm ($\frac{3}{8}$ in.) mounting holes.
- 2 Install the locking rings and o-rings on the end of the power and Garmin Marine Network cables.
- 3 Connect the power cable to the power port ① and the network cable to the network port ②.



- 4 Press the cables into any of the guide grooves ③ on the bottom of the case, and secure them using cable hold-down plates ④. The cables should be bent or twisted as little as possible.
- 5 Position the radome on the mounting surface with the triangular mark on the case aligned to the front of the vessel.
- 6 Apply the included anti-seize compound to the threads of the four M8 x 1.25 x 60 threaded rods.
- 7 Insert the four threaded rods into the mounting holes on the bottom of the radome. Up to 50 mm (2 in.) of the threaded rods may extend below the unit.
- 8 Apply a bead of marine sealant on the mounting surface around each mounting hole.
- 9 Fasten the device ⑤ to the mounting surface ⑥ using the threaded rods ⑦, flat washers ⑧, spring washers ⑨, and hex nuts ⑩.



10 Using a torque wrench, tighten the nuts from 13.7 to 18.6 N·m (10 to 14 lbf-in.) of force.

Connecting the Power Cable

⚠ WARNING

When connecting the power cable, do not remove the in-line fuse holder. To prevent the possibility of injury or product damage caused by fire or overheating, the appropriate fuse must be in place as indicated in the product specifications. In addition, connecting the power cable without the appropriate fuse in place will void the product warranty.

- 1 Route the power cable from the device to the power source.
- 2 Connect the red wire to the positive (+) battery terminal, and connect the black wire to the negative (-) battery terminal.
- 3 If you have not already done so, install the locking ring and o-ring on the end of the power cable.
- 4 If you have not already done so, connect the power cable to the device by turning the locking ring clockwise.

Power Cable Extensions

Connecting the power cable directly to the battery is recommended. If it is necessary to extend the cable, the appropriate gauge of wire must be used for the length of the extension.

Distance	Wire Gauge
2 m (6.5 ft.)	16 AWG (1.31 mm ²)
4 m (13 ft.)	14 AWG (2.08 mm ²)
6 m (19 ft.)	12 AWG (3.31 mm ²)

Connecting to a Device or to the Marine Network

You can connect the unit either directly to a compatible Garmin device or to a Garmin Marine Network to share unit information with all connected devices.

NOTE: Not all Garmin devices are compatible with the Garmin Marine Network. See the installation instructions or owner's manual provided with your device for more information.

- 1 Route the network cable to your compatible Garmin device.
- 2 If you have not already done so, install the locking rings and o-rings on the end of the network cable.
- 3 Select an option:
 - If the Garmin device is not compatible with the Garmin Marine Network, connect the network cable to the port labeled RADAR.

- If the device is compatible with the Garmin Marine Network, connect the network cable to the port labeled NETWORK.

Unit Operation

All functions of the Garmin radome are controlled with your Garmin marine network chartplotter. See the Radar section of your chartplotter's manual for operating instructions. To download the latest manual, go to www.garmin.com/support/.

Measuring the Potential Front-of-Boat Offset

The front-of-boat offset compensates for the physical location of the radar scanner on a boat, if the device does not align with the bow-stern axis.

- 1 Using a magnetic compass, take an optical bearing of a stationary target located within viewable range.
- 2 Measure the target bearing on the unit.
- 3 If the bearing deviation is more than $\pm 1^\circ$, set the front-of-boat offset.

Setting the Front-of-Boat Offset

Before you can set the front-of-boat offset, you must measure the potential front-of-boat offset.

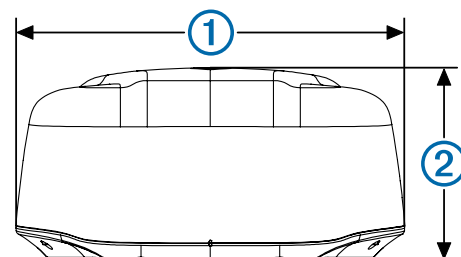
The front-of-boat offset setting configured for use in one radar mode is applied to every other radar mode and to the Radar overlay.

Select **Up** or **Down** to adjust the offset.

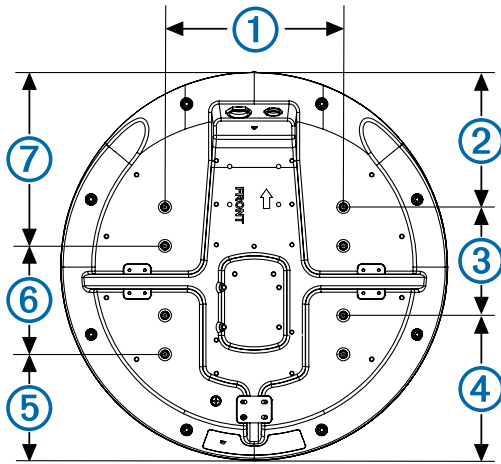
Specifications

Specification	Measurement
Type 1 dimensions (diameter × height)	508 × 251 mm (20 × 9.88 in.)
Type 2 dimensions (diameter × height)	645 × 253 mm (25.4 × 9.96 in.)
Type 1 weight	7.7 kg (16.95 lb.)
Type 2 weight	9.5 kg (20.9 lb.)
Temperature range	-15 to 70°C (5 to 158°F)
Case material	Thermoplastic resin
Default antenna rotation speed	48 RPM
Alternative antenna rotation speed	24 RPM
Power input source	10.5 to 35 Vdc, 3.5 A
Power output	4 kW peak
RF transmit frequency	9410 MHz nominal
Compass-safe distance	1 m (3.28 ft.)
Type 1 beam width	3.6°
Type 2 beam width	5°
Maximum range	48 nm
Minimum range	60 m (197 ft.)
Range discrimination	16 m (52.5 ft.)
Range scales	0.125, 0.25, .05, 0.75, 1, 1.5, 2, 3, 4, 6, 8, 12, 16, 24, 36, 48 nm

Detailed Dimensions



Item	GMR xHD 18	GMR xHD 24
Length	508.2 mm (20 in.)	645.4 mm (25 ⁷ / ₁₆ in.)
① (width)	504.7 mm (19 ⁷ / ₈ in.)	642.5 mm (25 ⁵ / ₁₆ in.)
② (height)	248.3 mm (9 ³ / ₄ in.)	250.3 mm (9 ⁷ / ₈ in.)



Item	GMR xHD 18	GMR xHD 24
①	233 mm (9 ³ / ₁₆ in.)	233 mm (9 ³ / ₁₆ in.)
②	176.7 mm (6 ¹⁵ / ₁₆ in.)	245.4 mm (9 ¹¹ / ₁₆ in.)
③	141.5 mm (5 ⁹ / ₁₆ in.)	141.5 mm (5 ⁹ / ₁₆ in.)
④	190 mm (7 ¹ / ₂ in.)	258.5 mm (10 ³ / ₁₆ in.)
⑤	139.2 mm (5 ¹ / ₂ in.)	207.7 mm (8 ³ / ₁₆ in.)
⑥	141.5 mm (5 ⁹ / ₁₆ in.)	141.5 mm (5 ⁹ / ₁₆ in.)
⑦	227.5 mm (8 ¹⁵ / ₁₆ in.)	296.2 mm (9 ¹¹ / ₁₆ in.)

Installation Troubleshooting

Symptom	Possible Causes
The unit does not power on (no status light).	<ul style="list-style-type: none"> The power cable may not be connected correctly to the device or to the battery. Check all connections. The inline fuse may have blown. Check the fuse and replace it if necessary. The wire gauge used to extend the power cable may be too small for the length of the extension. Check the table provided in the Power Cable Extensions section of these instructions to make sure the correct wire gauge is used.
The unit is not available on the Garmin device or on devices connected to the Garmin Marine Network.	<ul style="list-style-type: none"> The device software may not be up-to-date. Update the software on the device or on the Garmin Marine Network. The network cable may not be connected correctly to the device or to the Garmin Marine Network. Check all connections. If a field-installable network connector was used, it may have been installed improperly. Check the connector.

Status LED Color and Activityunit	Unit Status
Solid red	The device is getting ready for use.
Flashing green	The device is operating properly.
Flashing orange	The device software is being updated.
Flashing red	The device has encountered an error. Contact Garmin product support for assistance.

Garmin International, Inc.
1200 East 151st Street
Olathe, Kansas 66062, USA

Garmin (Europe) Ltd.
Liberty House, Hounsdown Business Park
Southampton, Hampshire, SO40 9LR UK

Garmin Corporation
No. 68, Zhangshu 2nd Road, Xizhi Dist.
New Taipei City, 221, Taiwan (R.O.C.)

Garmin® and the Garmin logo are trademarks of Garmin Ltd. or its subsidiaries, registered in the USA and other countries. GMR™ is a trademark of Garmin Ltd. or its subsidiaries. These trademarks may not be used without the express permission of Garmin.