

SPECIFICATION CONTROL DRAWING	Revisions			
	Rev	Date	Description	ECO No.
	B	2/21/14	Adding Battery information	111883
	C	3/17/14	Correcting WSI wiring diagram	112625
D	7/31/14	Correcting ICASA marks	117228	

Electronic document only.
Not for printing.

Printing Specifications

- | | |
|--------------|---|
| 1. Tolerance | N/A |
| 2. Material | N/A |
| 3. Color | N/A |
| 4. Bindery | N/A |
| 5. Folds | N/A |
| 6. Notes | This part shall comply with Garmin Banned and Restricted Substances (GPN 001-00211-00). |

Content Management System Details

- | | |
|-------------|---|
| 1. GUID | GUID-0423D290-A946-4897-A4B6-8BF3BDC648D7 |
| 2. Version | 5 |
| 3. Language | EN-US, FR-FR, IT-IT, DE-DE, ES-XM, PT-PT, NL-NL, DA-DK, FI-FI, NB-NO, SV-SE, PL-PL, CS-CZ, HR-HR, ZH-CN |

Electronic Archive Contents

File Name	File Contents
gWind_Wireless_Install_Web_ML_Spec.indd	InDesign CS4, Document specification sheet
gWind_Wireless_Install_ML.pdf	PDF for posting online

<small>CONFIDENTIAL</small> This drawing and the specifications contained herein are the property of Garmin Ltd. or its subsidiaries and may not be reproduced or used in whole or part as the basis for manufacture or sale of products without written permission.				Garmin Ltd. or its subsidiaries C/O Garmin International, Inc. 1200 E. 151st Street Olathe, Kansas 66062 U.S.A	
Drawn By:	Initials	Date	Title gWind Wireless Installation Instructions (ML Web)		
	MEH	1/15/14	Size	Part No	Rev
			A	190-01723-99	D
			Scale	Sheet	Of
			N/A	1	61

gWind™ Wireless Installation Instructions	2
Instructions d'installation du gWind™ Wireless	6
gWind™ Wireless Istruzioni di installazione	10
gWind™ Wireless – Installationsanweisungen	14
Instrucciones de instalación de gWind™ Wireless	18
Instruções de instalação do gWind™ Wireless	22
gWind™ Wireless installatie-instructies	26
gWind™ Wireless Installationsvejledning	30
gWind™ Wireless asennusohjeet	34
Installeringsinstruksjoner for gWind™ Wireless	38
gWind™ Wireless Installationsinstruktioner	42
Instrukcja instalacji urządzenia gWind™ Wireless	46
Pokyny pro instalaci zařízení gWind™ Wireless	50
Upute za montažu uređaja gWind™ Wireless	54
gWind™ Wireless 安装说明	58

Garmin®, the Garmin logo, and Nexus® are trademarks of Garmin Ltd. or its subsidiaries, registered in the USA and other countries. gWind™, GND™, and GMI™ are trademarks of Garmin Ltd. or its subsidiaries. These trademarks may not be used without the express permission of Garmin.

NMEA 2000® and the NMEA 2000 logo are registered trademarks of the National Marine Electronics Association.



gWind™ Wireless Installation Instructions

This device provides wireless wind speed and wind angle information to a NMEA 2000® network on your boat. The wind transducer transmits information to a Wireless Server Interface (WSI), which must connect to a Garmin® GND™ 10 to send the data to a NMEA 2000 network.

Important Safety Information

⚠ WARNING

See the Important Safety and Product Information guide in the product box for product warnings and other important information.

⚠ CAUTION

Always wear safety goggles, ear protection, and a dust mask when drilling, cutting, or sanding.

Use caution when working from heights.

Battery Warnings

⚠ WARNING

If these guidelines are not followed, the battery may experience a shortened life span or may present a risk of damage to the device, fire, chemical burn, electrolyte leak, and/or injury.

- Do not disassemble, modify, remanufacture, puncture, or damage the device or batteries.
- Do not immerse or expose the device or batteries to water or other liquids, fire, explosion, or other hazard.
- Do not use a sharp object to remove batteries.
- Keep batteries away from children.
- Only replace batteries with correct replacement batteries. Using other batteries presents a risk of fire or explosion. To purchase replacement batteries, see your Garmin dealer or the Garmin website.
- Do not operate the device outside of the following temperature range: from -20° to 50°C (from -4° to 122°F).
- When storing the device for an extended time period, store within the following temperature range: from 0° to 35°C (from 32° to 95°F).
- Contact your local waste disposal department to dispose of the device/batteries in accordance with applicable local laws and regulations.

Registering Your Device

Help us better support you by completing our online registration today.

- Go to <http://my.garmin.com>.
- Keep the original sales receipt, or a photocopy, in a safe place.

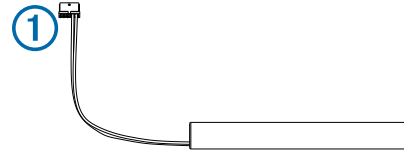
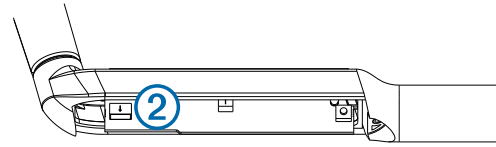
Installing the Battery

NOTICE

The appropriate battery is provided with this device. Installing a battery not provided by or purchased from Garmin may damage the device.

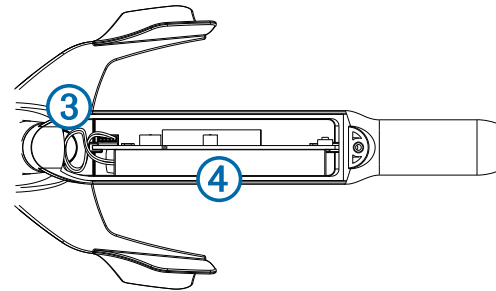
Before mounting the device, you must install the included battery.

- 1 Using a #2 Phillips screwdriver, open the battery door on the device.
- 2 Insert the connector from the battery ① to the port on the board inside the device ②.



The connector fits into the port only one way. Forcing the connector into the port may damage it.

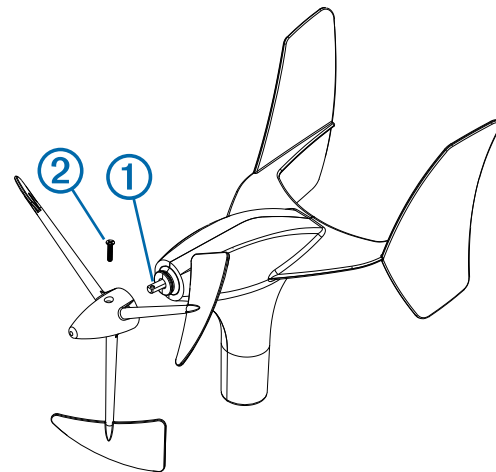
- 3 Route the battery cable inside the device housing ③, and place the battery under the board ④.



- 4 Taking care to avoid pinching the battery wires, close and secure the battery door.

Installing the Propeller

- 1 Ensure the shaft ① lines up correctly with the slot on the propeller.
The socket on the propeller fits only one way on the shaft.

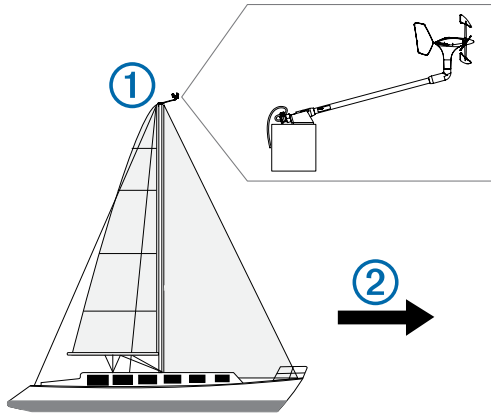


- 2 Press on the propeller until it is seated on the device.
- 3 Install the set screw ② to hold the propeller securely to the device.

Mounting Considerations

When selecting a mounting location for the wind transducer, observe these considerations.

- The wind transducer should be mounted on a horizontal surface on the mast head ①.

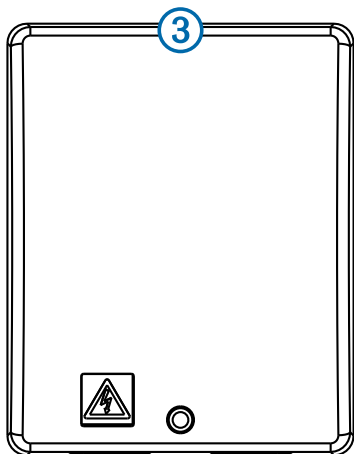


- If there is not a horizontal surface on the mast head, an appropriate shim must be added to create a horizontal surface.
- The wind transducer should be installed facing the front of the boat ②, parallel to the center line.

NOTE: If you do not mount the device facing the exact front of the boat, or mount it facing the back of the boat, you must configure the wind-angle offset to receive accurate wind-angle data by following the directions in these installation instructions.

When selecting a mounting location for the wireless server interface (WSI), observe these considerations.

- Before permanently mounting the WSI, you must test the signal strength between the wind transducer and the WSI.
- The WSI is not water resistant and must be installed in a location that is not exposed to any spray, washdown, or submersion.
- The best location for the WSI is under the deck, near the hull, as high as possible in the boat.
- You should install the WSI as close to the wind transducer as possible.
- Metallic objects in the path of the wind transducer and the WSI greatly reduce the transmission distance.
- The antenna is on the top of the WSI ③, and works best when it is pointing toward the wind transducer.



- The WSI works the best when installed on a bulkhead parallel to the pole of the wind transducer, in a fore-aft direction.

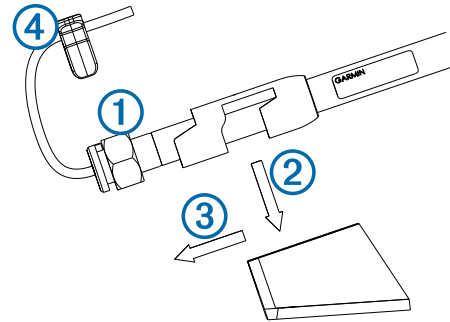
Installing the Mounting Bracket

- 1 Using the mounting bracket as a template, mark the pilot hole locations.
- 2 Using a 4.5 mm ($1\frac{1}{64}$ in.) bit, drill the pilot holes.

- 3 Fasten the mounting bracket to the surface using the included screws.

Securing the Device in the Mounting Bracket

- 1 Loosen the lock nut ① on the device by turning it counter-clockwise by hand until it stops.



- 2 Place the device in the mounting bracket by pushing it down ② and sliding it back until it stops ③.
- 3 Secure the device in the bracket by turning the lock nut clockwise by hand until it stops.
- 4 Attach the security clamp ④ to the device to prevent the lock nut from loosening.

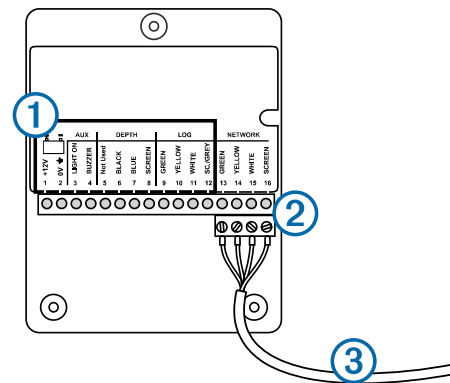
Mounting the WSI

Before permanently mounting the WSI, you must test the signal strength between the sensor and the receiving box.

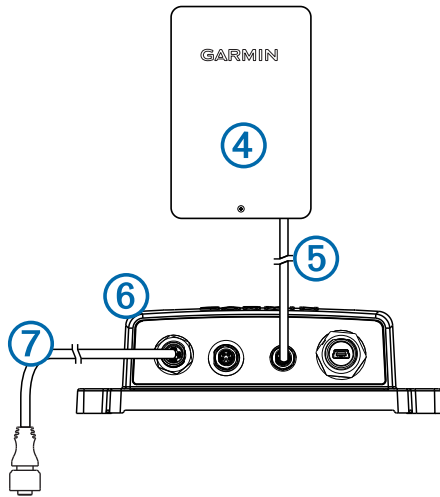
- 1 Determine the mounting location.
- 2 Using the device as a template, mark the pilot hole locations on the mounting surface.
- 3 Using a $\frac{1}{8}$ in. drill bit, drill the pilot holes.
- 4 Use the included screws to attach the device to the mounting surface.

Connection Considerations

The WSI must connect to a Garmin GND 10 to communicate with the NMEA 2000 network on your boat. When connecting the included cable to the WSI and to the GND 10, observe these considerations.



Item	Description
①	These terminals are not used when connecting this device to a GND 10 because the WSI is powered by the GND 10. If you want to use the WSI with other Nexus® products, see the Nexus device owner's manual.
②	This connector fits only one way. Match the wire colors to the terminal blocks before inserting the connector.
③	This connects to either NEXUS port on the GND 10



Item	Description
④	WSI
⑤	WSI cable
⑥	GND 10
⑦	NMEA 2000 network

Configuring the Wind Transducer

Before you can configure the wind transducer, it must be connected through a GND 10 to a NMEA 2000 network with a Garmin marine instrument, such as a GMI™ 20. Refer to the marine instrument owner's manual for more information on configuring NMEA 2000 devices.

- 1 On the marine instrument, go to the NMEA 2000 settings.
- 2 Select the name of the device (GND 10) to configure.

Adjusting the Orientation

You should adjust this setting if the sensor does not face the exact front of the boat.

- 1 On the marine instrument, from the NMEA 2000 settings, select the device name (GND 10).
- 2 Select **Wind Angle Offset**.
- 3 Based on the direction in which the sensor is facing in relation to the exact center of the front of the boat, select the angle in degrees to adjust for the difference in orientation.

The angle is configured clockwise around the mast of the boat, from the exact center of the front of the boat. For example, 90 degrees is starboard, and 270 degrees is port.

- 4 Select **Done**.

Adjusting the Wind Angle Filter

You should adjust this setting to change the responsiveness of the display to changes in the wind direction.

- 1 On the marine instrument, from the NMEA 2000 settings, select the device name (GND 10).
- 2 Select **Wind Angle Filter**.
- 3 Select an option:
 - Select **Off** to turn off the filter and make the display the most responsive to changes in the wind angle.
 - Select **On** and adjust the value. Select a higher number to increase the responsiveness of the display to changes in the wind angle, or select a lower number to decrease the responsiveness.
 - Select **Auto** to automatically adjust the filter settings based on wind conditions.
- 4 Select **Done**.

Adjusting the Wind Speed Filter

You should adjust this setting to change the responsiveness of the display to changes in the wind speed.

- 1 On the marine instrument, from the NMEA 2000 settings, select the device name (GND 10).
- 2 Select **Wind Speed Filter**.
- 3 Select an option:
 - Select **Off** to turn off the filter and make the display the most responsive to changes in the wind speed.
 - Select **On** and adjust the value. Select a higher number to increase the responsiveness of the display to changes in the wind speed, or select a lower number to decrease the responsiveness.
 - Select **Auto** to automatically adjust the filter settings based on wind conditions.
- 4 Select **Done**.

Maintenance and Storage

- If needed, use a mild soap solution to clean the wind transducer, and rinse it with water. Do not use detergents or high-pressure water.
- It is recommended to remove the wind transducer and store it in a dry location if it will not be used for long periods of time.
- It is recommended to remove the WSI and store it in a dry location if it will not be used for long periods of time.
- When storing the wind transducer, it is best to store it in a location where it is exposed to light. This maintains the battery charge in the device.
- If you store the wind transducer in a dark location, it is recommended to replace the battery at the beginning of each season. Replacement batteries are available from your local Garmin dealer, or from www.garmin.com.

Pairing the Wind Transducer with the WSI

Before you can pair the wind transducer with the WSI, you must have a Garmin marine instrument, such as a GMI 20 connected to the same NMEA 2000 network as the GND 10.

This wind transducer is paired with the WSI at the factory. You must pair the wind transducer with the WSI only if you replace the device.

- 1 Remove the battery cover on the wind transducer.
- 2 Bring the wind transducer within 2 m (6 ft.) of the WSI, and hold the white button on the circuit board until the LED turns off.
The old pairing information is cleared from the wind transducer.
- 3 On the marine instrument, from the NMEA 2000 settings, select the GND 10.
- 4 Select **Generic Configuration**.
- 5 Enter "**UP**" (this stands for un-pair), and select **Done**.
The old pairing information is cleared from the WSI.
- 6 Bring the wind transducer within 2 m (6 ft.) of the WSI, press, but do not hold, the white button on the circuit board, and observe the LED:
 - When the LED flashes twice, then turns off, the pairing was successful.
 - When the LED flashes twice, then flashes once more for about one second, the pairing was unsuccessful. Move the device closer to the WSI and repeat this step until the pairing is successful.
- 7 Replace the battery cover on the wind transducer.

Specifications

Specification	Value
Dimensions when mounted (H×L)	345 mm (13.58 in.) × 610 mm (24 in.)
Weight	350 g (12.35 oz.)
Operating temperature	From -20° to 50°C (-4° to 122°F)
Storage temperature	From 0° to 35°C (32° to 95°F)
Water resistance rating (wind transducer)	IEC 60529 IPX-6 (protected against heavy seas)
Water resistance rating (WSI)	IEC 60529 IPX-0 (no special protection)
Power usage (WSI and GND 10)	1.1 W
Typical current draw at 12 VDC (WSI and GND 10)	95 mA
Wind speed range	From 0.9 to 90 knots (From 0.9 to 50 m/s)

Instructions d'installation du gWind™ Wireless

Cet appareil fournit via une connexion sans fil des informations de vitesse et d'angle du vent à un réseau NMEA 2000 sur votre bateau. La girouette fournit des informations à une interface de serveur sans fil (WSI), qui doit être connectée à un appareil Garmin GND pour envoyer les données à un réseau NMEA 2000.

Informations importantes relatives à la sécurité

⚠ AVERTISSEMENT

Consultez le guide Informations importantes sur le produit et la sécurité inclus dans l'emballage du produit pour prendre connaissance des avertissements et autres informations importantes sur le produit.

⚠ ATTENTION

Portez toujours des lunettes de protection, un équipement antibruit et un masque anti-poussière lorsque vous percez, coupez ou poncez.

Faites attention lorsque vous travaillez en hauteur.

Avertissements relatifs à la batterie

⚠ AVERTISSEMENT

Le non-respect de ces consignes peut causer une diminution de la durée de vie de la batterie, endommager l'appareil ou présenter un risque d'incendie, de brûlure chimique, de fuite d'électrolyte et/ou de blessure.

- Ne démontez pas l'appareil ni les batteries, ne les modifiez pas, ne les refabriquez pas, ne les percez pas, ne les endommagez pas.
- N'immergez pas l'appareil ni les batteries et ne les exposez pas à l'eau ou à d'autres liquides, au feu, à une explosion ou à d'autres dangers.
- N'utilisez pas d'objet pointu pour retirer les batteries.
- Gardez les batteries hors de portée des enfants.
- Remplacez les batteries uniquement par les batteries de remplacement adéquates. L'utilisation d'autres batteries peut présenter un risque d'incendie ou d'explosion. Pour acheter des batteries de remplacement, rapprochez-vous de votre revendeur Garmin ou consultez le site Web Garmin.
- N'utilisez pas l'appareil si la température n'est pas comprise entre -20 et 50 °C (entre -4 et 122 °F).
- Sur une longue période, la température du lieu de stockage de l'appareil doit être comprise entre 0 et 35 °C (32 et 95 °F).
- Contactez la déchetterie locale pour plus d'informations sur la mise au rebut de l'appareil ou des batteries dans le respect des lois et réglementations locales applicables.

Enregistrement de l'appareil

Aidez-nous à mieux vous servir en remplissant dès aujourd'hui notre formulaire d'enregistrement en ligne.

- Rendez-vous sur le site <http://my.garmin.com>.
- Conservez en lieu sûr l'original de la facture ou une photocopie.

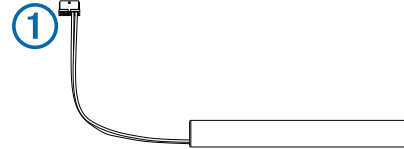
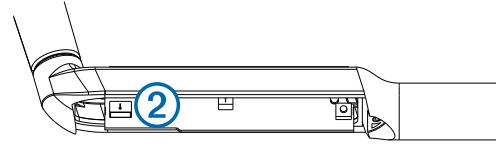
Mise en place de la batterie

AVIS

La batterie appropriée est fournie avec cet appareil. L'installation d'une batterie non fournie par Garmin ni achetée auprès de l'entreprise peut endommager l'appareil.

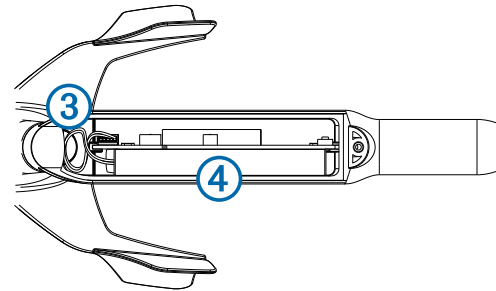
Avant d'installer l'appareil, vous devez installer la batterie fournie.

- 1 A l'aide d'un tournevis cruciforme numéro 2, ouvrez le cache de la batterie de l'appareil.
- 2 Insérez le connecteur de la batterie ① dans le port de la carte située à l'intérieur de l'appareil ②.



Ce connecteur s'adapte dans le port dans un sens uniquement. Ne forcez pas le connecteur lors de son insertion dans le port. Vous risqueriez de l'abîmer.

- 3 Acheminez le câble de la batterie à l'intérieur du boîtier de l'appareil ③ et placez la batterie sous la carte ④.

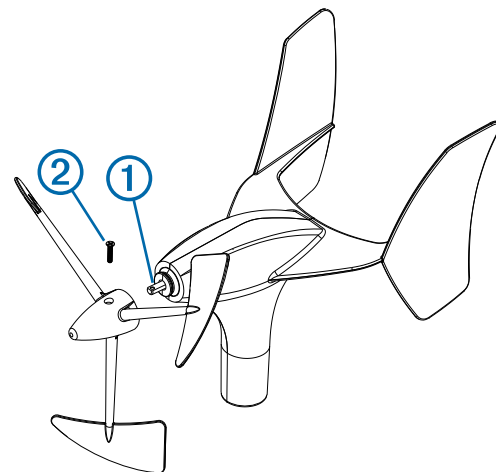


- 4 En prenant soin de ne pas coincer les fils de la batterie, refermez bien le cache de la batterie et vissez-le.

Installation de l'hélice

- 1 Assurez-vous que la tige ① s'aligne sur la fente située sur l'hélice.

La cavité située sur l'hélice ne s'adapte à la tige que dans un sens.

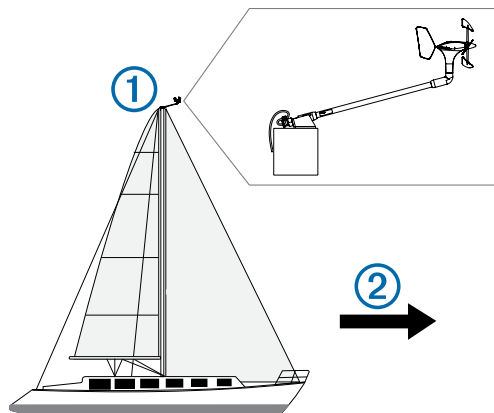


- 2 Appuyez sur l'hélice jusqu'à ce qu'elle soit en place dans l'appareil.
- 3 Installez la vis ② pour fixer solidement l'hélice à l'appareil.

Considérations relatives au montage

Lorsque vous choisissez un emplacement de montage pour la girouette, tenez compte des considérations suivantes.

- La girouette anémomètre doit être montée sur un support horizontal en haut du mât ①.

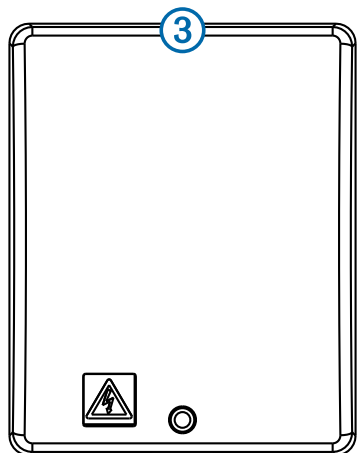


- En l'absence de support horizontal en haut du mât, une cale appropriée doit être ajoutée afin de pallier le problème.
- La girouette anémomètre doit être installée en face de la proue ② et parallèlement à la ligne centrale.

REMARQUE : si vous ne montez pas l'appareil exactement en face de la proue, ou si vous le montez en face de la poupe, vous devez configurer la déviation de l'angle du vent afin de recevoir des données précises sur l'angle du vent. Pour ce faire, consultez les instructions d'installation.

Lorsque vous sélectionnez un emplacement de montage pour l'interface de serveur sans fil (WSI), tenez compte des considérations suivantes.

- Avant d'installer la WSI de manière définitive, vous devez tester la force de signal entre la girouette et la WSI.
- La WSI n'est pas étanche et doit être installée à un emplacement où elle ne risque pas d'être éclaboussée, arrosée ou immergée.
- Idéalement, installez la WSI sous le pont, à côté de la coque, aussi haut que possible dans le bateau.
- Installez la WSI aussi près de la girouette que possible.
- Les objets métalliques situés dans la trajectoire de la girouette et de la WSI réduisent considérablement la distance de transmission.
- L'antenne est située en haut de la WSI ③, et fonctionne de manière optimale quand elle est dirigée vers la girouette.



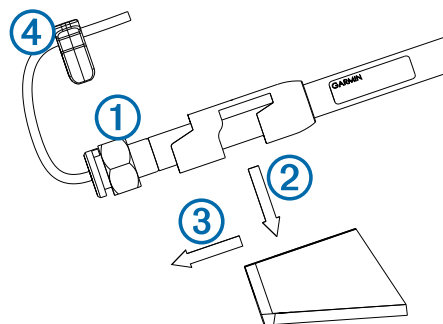
- La WSI fonctionne de manière optimale quand elle est installée sur une cloison, parallèlement à la rotule de la girouette, dans la direction proue/poupe.

Installation du support de montage

- 1 En utilisant le support de montage comme modèle, marquez l'emplacement des trous d'implantation.
- 2 A l'aide d'un foret de 4,5 mm ($11/64$ po), percez les trous d'implantation.
- 3 Fixez le support de montage au support à l'aide des vis fournies.

Fixation de l'appareil dans le support de montage

- 1 Desserrez le contre-écrou ① sur l'appareil en le tournant dans le sens anti-horaire jusqu'à ce qu'il se bloque.



- 2 Placez l'appareil dans le support de montage en l'enfonçant vers le bas ② et en le faisant coulisser jusqu'à ce qu'il se bloque ③.
- 3 Fixez l'appareil dans le support en tournant le contre-écrou dans le sens horaire jusqu'à ce qu'il se bloque.
- 4 Fixez l'attache de sécurité ④ à l'appareil pour empêcher que le contre-écrou ne se desserre.

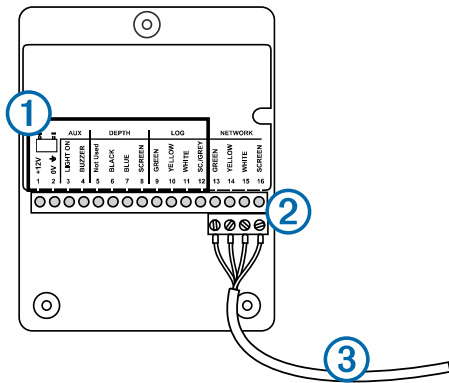
Montage de la WSI

Avant d'installer la WSI de manière permanente, vous devez tester la force de signal entre le capteur et la boîte de réception.

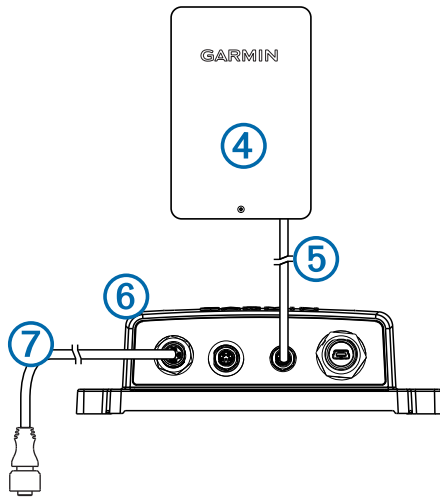
- 1 Déterminez l'emplacement de montage.
- 2 En utilisant l'appareil comme modèle, marquez l'emplacement des trous d'implantation sur le support de montage.
- 3 A l'aide d'un foret de $1/8$ po, percez les trous d'implantation.
- 4 Utilisez les vis fournies pour fixer l'appareil au support de montage.

Considérations relatives à la connexion

L'appareil WSI doit se connecter à un appareil Garmin GND 10 pour communiquer avec le réseau NMEA 2000 sur votre bateau. Lors de la connexion du câble fourni aux WSI et GND 10, tenez compte de ces remarques.



Élément	Description
①	Ces bornes ne sont pas utilisées lors de la connexion de cet appareil à un appareil GND car l'appareil WSI est alimenté par l'appareil GND 10. Si vous souhaitez utiliser l'appareil WSI avec d'autres produits Nexus, consultez le manuel d'utilisation de l'appareil Nexus.
②	Ce connecteur ne s'adapte que dans un sens. Faites correspondre les couleurs de fil aux borniers avant d'insérer le connecteur.
③	Se connecte à l'un des ports NEXUS de l'appareil GND 10



Élément	Description
④	WSI
⑤	Câble WSI
⑥	GND 10
⑦	Réseau NMEA 2000

Configuration de la sonde de vent

Avant de pouvoir configurer la girouette, elle doit être connectée via un appareil GND 10 à un réseau NMEA 2000 avec un instrument de navigation Garmin tel qu'un GMI 20. Pour en savoir plus, consultez le manuel d'utilisation de l'instrument de navigation sur la configuration des appareils NMEA 2000.

- 1 Sur l'instrument de navigation, allez dans les paramètres NMEA 2000.
- 2 Sélectionnez le nom de l'appareil (GND 10) à configurer.

Réglage de l'orientation

Réglez ce paramètre si le capteur n'est pas exactement en face de la proue.

- 1 Sur l'instrument de navigation, dans les paramètres NMEA 2000, sélectionnez le nom de l'appareil (GND 10).
- 2 Sélectionnez **Déviations de l'angle du vent**.

- 3 Suivant la direction dans laquelle le capteur est tourné par rapport au centre exact de la proue, sélectionnez l'angle en degrés pour compenser la différence d'orientation.

L'angle est axé dans le sens horaire autour du mât du bateau, à partir de l'axe exact de la proue du bateau. Par exemple, 90 degrés est à tribord et 270 degrés à bâbord.

- 4 Sélectionnez **Terminé**.

Réglage du filtre d'angle du vent

Réglez ce paramètre pour modifier la réactivité de l'écran face aux changements de direction du vent.

- 1 Sur l'instrument de navigation, dans les paramètres NMEA 2000, sélectionnez le nom de l'appareil (GND 10).
- 2 Sélectionnez **Filtre de l'angle du vent**.
- 3 Sélectionnez une option :
 - Sélectionnez **Désactivé** pour désactiver le filtre et avoir un écran le plus réactif possible face aux changements d'angle du vent.
 - Sélectionnez **Activé** et réglez la valeur. Choisissez une valeur plus élevée pour augmenter la réactivité de l'écran aux changements d'angle du vent ou une valeur plus faible pour la diminuer.
 - Sélectionnez **Automatique** pour régler automatiquement les paramètres du filtre suivant les conditions de vent.
- 4 Sélectionnez **Terminé**.

Réglage du filtre de vitesse du vent

Réglez ce paramètre pour modifier la réactivité de l'écran face aux changements de vitesse du vent.

- 1 Sur l'instrument de navigation, dans les paramètres NMEA 2000, sélectionnez le nom de l'appareil (GND 10).
- 2 Sélectionnez **Filtre de la vitesse du vent**.
- 3 Sélectionnez une option :
 - Sélectionnez **Désactivé** pour désactiver le filtre et avoir un écran le plus réactif possible face aux changements de vitesse du vent.
 - Sélectionnez **Activé** et réglez la valeur. Choisissez une valeur plus élevée pour augmenter la réactivité de l'écran aux changements de vitesse du vent ou une valeur plus faible pour la diminuer.
 - Sélectionnez **Automatique** pour régler automatiquement les paramètres du filtre suivant les conditions de vent.
- 4 Sélectionnez **Terminé**.

Maintenance et stockage

- Au besoin, utilisez une solution savonneuse douce pour nettoyer la girouette et rincez-la à l'eau claire. N'utilisez pas de détergents ni d'eau à haute pression.
- Il est recommandé de retirer la girouette et de la stocker dans un endroit sec si vous avez prévu de ne pas l'utiliser pendant une période de temps prolongée.
- Il est recommandé de retirer l'appareil WSI et de le stocker dans un endroit sec si vous avez prévu de ne pas l'utiliser pendant une période de temps prolongée.
- Lors du stockage de la girouette, il est conseillé de la conserver dans un endroit à l'abri de la lumière. Cela permet de préserver la charge de la batterie située dans l'appareil.
- Si vous conservez la girouette dans un endroit sombre, il est recommandé de remplacer la batterie au début de chaque saison. Des batteries de rechange sont disponibles auprès de votre revendeur Garmin ou à l'adresse www.garmin.com.

Couplage de la girouette avec l'appareil WSI

Avant de coupler la girouette avec l'appareil WSI, un instrument de navigation Garmin comme un GMI 20 doit être connecté au même réseau NMEA 2000 que celui de l'appareil GND 10.

Cette girouette est couplée avec l'appareil WSI en usine. Vous devez coupler la girouette avec l'appareil WSI uniquement si vous remplacez l'appareil.

- 1 Retirez le couvercle et la batterie de la girouette.
- 2 Rapprochez la girouette à moins de 2 m (6 pi) de l'appareil WSI et maintenez le bouton blanc de la carte de circuits imprimés enfoncé jusqu'à ce que le voyant LED s'éteigne.
Les anciennes informations de couplage sont effacées de la girouette.
- 3 Sur l'instrument de navigation, dans les paramètres NMEA 2000, sélectionnez GND 10.

- 4 Sélectionnez **Configuration générique**.

- 5 Saisissez « **UP** » (pour annuler le couplage) et sélectionnez **Terminé**.

Les anciennes informations de couplage sont effacées de l'appareil WSI.

- 6 Rapprochez la girouette à moins de 2 m (6 pi) de l'appareil WSI, appuyez brièvement sur le bouton blanc de la carte de circuits imprimés, et observez le voyant LED :
 - Quand le voyant LED clignote deux fois, puis s'éteint, le couplage s'est correctement déroulé.
 - Quand le voyant LED clignote deux fois, puis clignote une fois de plus pendant environ une seconde, le couplage a échoué. Rapprochez encore l'appareil de l'appareil WSI et répétez cette opération jusqu'à finaliser le couplage.
- 7 Remettez le couvercle de la batterie en place.

Caractéristiques techniques

Caractéristique	Valeur
Dimensions après montage (H × L)	345 mm (13,58 po) × 610 mm (24 po)
Poids	350 g (12,35 onces)
Température de fonctionnement	De -20 à 50 °C (de -4 à 122 °F)
Température de stockage	De 0 à 35 °C (de 32 à 95 °F)
Degré de résistance à l'eau (anémomètre)	IEC 60529 IPX-6 (protection contre les paquets de mer)
Degré de résistance à l'eau (WSI)	IEC 60529 IPX-0 (aucune protection spéciale)
Consommation (WSI et GND 10)	1,1 W
Intensité typique à 12 V c.c (WSI et GND 10)	95 mA
Plage de vitesse du vent	Entre 0,9 et 90 nœuds (entre 0,9 et 50 m/s)

gWind™ Wireless Istruzioni di installazione

Questo trasduttore del vento fornisce in modalità wireless i dati di velocità e direzione del vento a una rete NMEA 2000. Il trasduttore del vento trasmette i dati a un'interfaccia WSI (Wireless Server Interface) (WSI), che deve essere collegata a un dispositivo Garmin GND 10 per inviare i dati a una rete NMEA 2000.

Informazioni importanti sulla sicurezza

⚠ ATTENZIONE

Per avvisi sul prodotto e altre informazioni importanti, consultare la guida Informazioni importanti sulla sicurezza e sul prodotto inclusa nella confezione.

⚠ AVVISO

Durante le operazioni di foratura, taglio o carteggiatura, indossare degli occhiali protettivi, una maschera antipolvere e un'adeguata protezione per l'udito.

Prestare attenzione quando si lavora ad altezze considerevoli.

Avvisi sulla batteria

⚠ ATTENZIONE

Il mancato rispetto delle seguenti linee guida potrebbe compromettere la durata della batteria, danneggiare il dispositivo e causare incendi, combustioni chimiche, perdita di elettroliti e/o lesioni.

- Non disassemblare, modificare, riprodurre, forare o danneggiare il dispositivo o le batterie.
- Non immergere o esporre il dispositivo o le batterie all'acqua o ad altri liquidi, nonché a incendi, esplosioni e altri rischi.
- Non utilizzare oggetti acuminati per rimuovere le batterie.
- Tenere le batterie lontano dalla portata dei bambini.
- Sostituire le batterie solo con batterie di ricambio corrette, onde evitare il rischio di incendi o esplosioni. Per acquistare una batteria di ricambio, rivolgersi al rivenditore Garmin o visitare il sito Web Garmin.
- Non esporre il dispositivo a temperature al di fuori dell'intervallo compreso tra -20° e 50 °C (tra -4° e 122 °F).
- Per lunghi periodi di inutilizzo, conservare il dispositivo a una temperatura compresa tra 0° e 35 °C (tra 32° e 95 °F).
- Per un corretto smaltimento del dispositivo/batterie in conformità alle leggi e disposizioni locali, contattare le autorità locali preposte.

Registrazione del dispositivo

Per un'assistenza completa, eseguire subito la registrazione online.

- Visitare il sito Web <http://my.garmin.com>.
- Conservare in un luogo sicuro la ricevuta di acquisto originale o una fotocopia.

Installazione della batteria

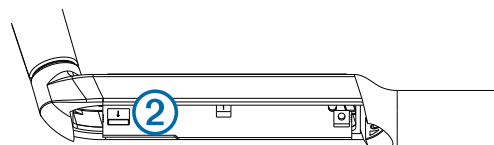
AVVERTENZA

La batteria appropriata viene fornita con il dispositivo. L'installazione di una batteria non fornita o acquistata da Garmin potrebbe danneggiare il dispositivo.

Prima di installare il dispositivo, è necessario installare la batteria inclusa.

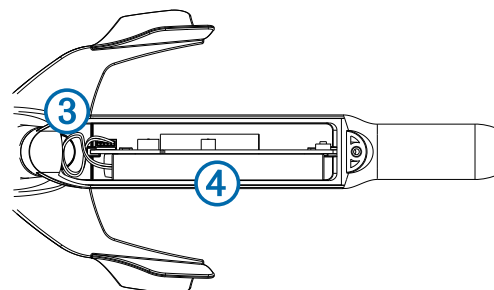
- 1 Con un cacciavite a croce 2, aprire lo sportello della batteria sul dispositivo.

- 2 Inserire il connettore della batteria ① nella porta sul vano all'interno del dispositivo ②.



Il connettore si inserisce nella porta in un solo modo. Forzare il connettore nella porta potrebbe danneggiarlo.

- 3 Passare il cavo della batteria nell'alloggiamento del dispositivo ③ e posizionare la batteria sotto al vano ④.

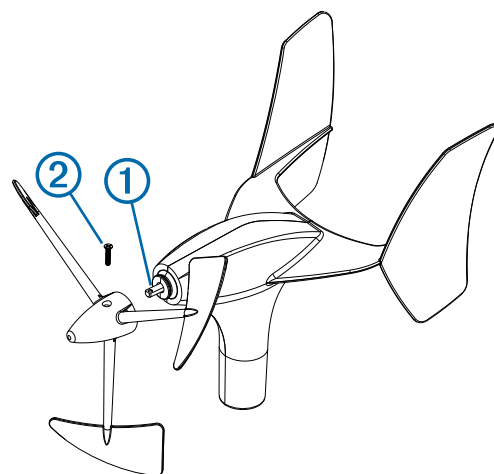


- 4 Procedere con cautela per evitare di comprimere i cavi della batteria e chiudere e fissare lo sportello batteria.

Installazione dell'anemometro

- 1 Accertarsi che il perno ① sia allineato correttamente con l'innesto posto nell'anemometro.

È possibile inserire il perno nell'anemometro in un solo modo.

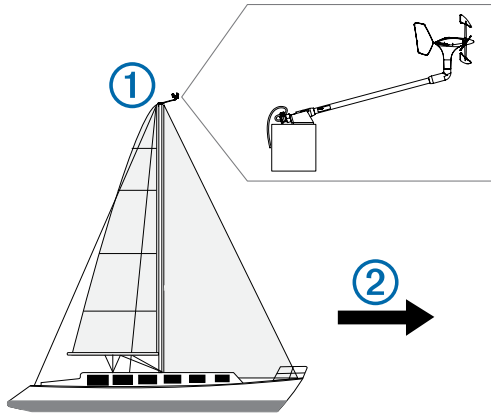


- 2 Premere l'anemometro fino a quando non si blocca in posizione.
- 3 Installare le viti ② per fissare saldamente l'anemometro.

Informazioni sull'installazione

Selezionare la posizione di installazione del trasduttore del vento tenendo presente quanto segue.

- Installare il trasduttore del vento in posizione orizzontale sulla testa dell'albero ①.

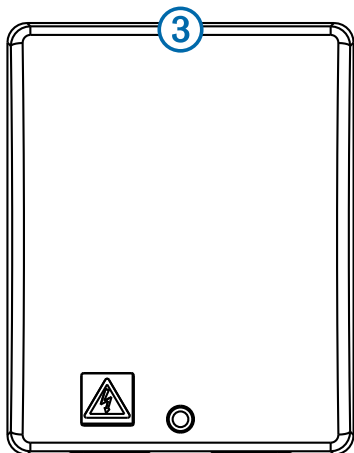


- Nel caso non fosse possibile, aggiungere uno spessore appropriato per creare un piano di appoggio orizzontale.
- Installare il trasduttore del vento rivolto verso prua ②.

NOTA: se non si installa il trasduttore rivolto esattamente verso prua, è necessario configurarne l'offset seguendo le indicazioni fornite nelle istruzioni di installazione.

Quando si seleziona una posizione di montaggio per l'interfaccia del server wireless (WSI), tenere presente quanto segue.

- Prima di installare in modo definitivo il WSI, verificare la potenza del segnale tra il trasduttore del vento e WSI.
- Il WSI non è impermeabile e deve essere installato in modo tale che non sia soggetto a spruzzi, infiltrazioni d'acqua o immersioni.
- La posizione ottimale per il WSI è sotto coperta, il più in alto possibile.
- Installare il WSI il più vicino possibile al trasduttore del vento.
- Gli oggetti metallici nel raggio del trasduttore del vento e del WSI riducono considerevolmente la distanza di trasmissione.
- L'antenna si trova nella parte superiore del WSI ③ e funziona al meglio se puntata verso il trasduttore del vento.



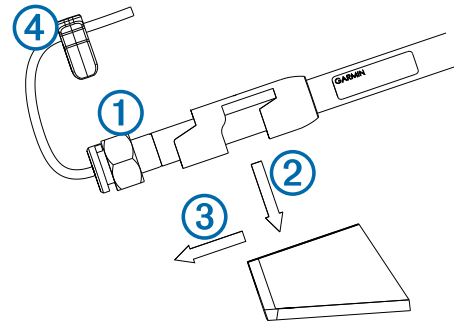
- Il WSI funziona al meglio se installato su una paratia verticale, parallelo alla direzione del sensore del vento.

Installazione della staffa di montaggio

- 1 Utilizzando la staffa di montaggio come dima, contrassegnare la posizione dei fori di riferimento.
- 2 Con una punta da 4,5 mm ($1\frac{1}{64}$ poll.), praticare i fori di riferimento.
- 3 Fissare la staffa di montaggio alla superficie utilizzando le viti in dotazione.

Installazione del trasduttore con la staffa di montaggio

- 1 Allentare con le mani la ghiera ① ruotandola in senso antiorario.



- 2 Posizionare il trasduttore sulla staffa di montaggio spingendolo verso il basso ② e facendolo scorrere finché non si blocca ③.
- 3 Assicurare il sensore alla staffa ruotando manualmente la ghiera in senso orario.
- 4 Inserire la fascetta ④ nel trasduttore per impedire che la ghiera si allenti.

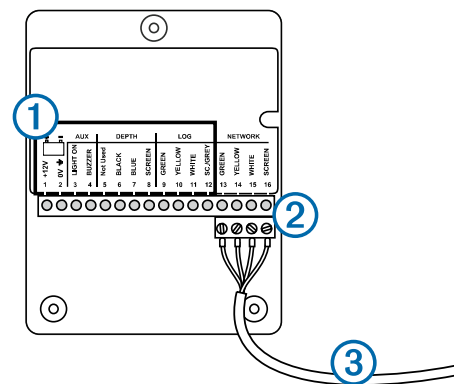
Installazione di WSI

Prima di installare in modo definitivo la WSI, verificare la potenza del segnale.

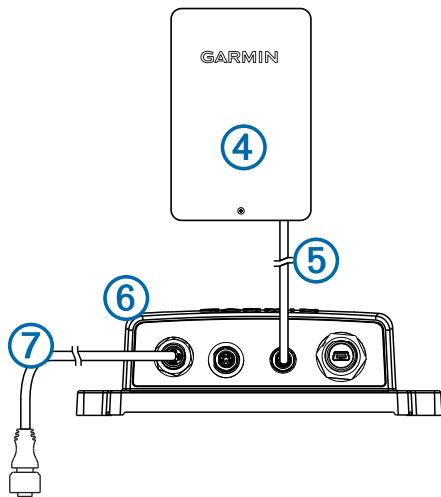
- 1 Stabilire la posizione d'installazione.
- 2 Utilizzando il dispositivo come dima, segnare la posizione dei fori di riferimento per l'installazione.
- 3 Con una punta da trapano da $\frac{1}{8}$ poll., praticare i fori di riferimento.
- 4 Utilizzare le viti in dotazione per installare il dispositivo.

Informazioni sul collegamento

Il WSI deve essere collegato a un Garmin GND 10 per comunicare con la rete NMEA 2000. Quando si collega il cavo in dotazione a WSI e al GND 10, tenere presente quanto segue.



Elemento	Descrizione
①	Questi fili non vengono utilizzati quando si collega il dispositivo a un GND 10 perché WSI è alimentato dal GND 10. Per utilizzare WSI con altri prodotti Nexus, consultare il Manuale Utente del dispositivo Nexus.
②	È possibile inserire questo connettore in una sola posizione. Allineare i colori del cavo ai blocchi del terminale prima di inserire il connettore.
③	Si collega una porta NEXUS sul GND 10



Elemento	Descrizione
④	WSI
⑤	Cavo WSI
⑥	GND 10
⑦	Rete NMEA 2000

Calibrazione del trasduttore del vento

Prima di poter calibrare il trasduttore del vento, bisogna collegarlo utilizzando un GND 10 a una rete NMEA 2000 e un display Garmin, ad esempio un GMI 20. Consultare il Manuale Utente del display per ulteriori informazioni sulla calibrazione dei dispositivi NMEA 2000.

- 1 Sul display accedere alle impostazioni NMEA 2000.
- 2 Selezionare il nome del dispositivo (GND 10) da configurare.

Regolare l'offset

Regolare questa impostazione se il sensore non è rivolto esattamente verso la prua dell'imbarcazione.

- 1 Sul display, dalle impostazioni NMEA 2000, selezionare il nome del dispositivo (GND 10).
- 2 Selezionare **Scostamento angolo vento**.
- 3 Se il sensore del vento non è allineato con la prua dell'imbarcazione, occorre correggere manualmente l'offset. L'angolo si misura in senso orario cominciando dalla prua. Ad esempio, 90 gradi corrispondono a dritta e 270 gradi a sinistra.
- 4 Selezionare **Fatto**.

Regolare la velocità di risposta dell'angolo del vento

È necessario regolare questa impostazione per modificare la velocità di risposta ai cambiamenti della direzione del vento.

- 1 Sul display, dalle impostazioni NMEA 2000, selezionare il nome del dispositivo (GND 10).
- 2 Selezionare **Filtro angolo vento**.
- 3 Selezionare un'opzione:
 - Selezionare **Disattivato** per disattivare il filtro e rendere lo schermo più reattivo alle modifiche di angolazione del vento.
 - Selezionare **Attivato** e regolare il valore. Selezionare un valore superiore per incrementare la reattività dello schermo ai cambi di direzione del vento oppure un valore inferiore per diminuirla.
 - Selezionare **Auto** per regolare automaticamente il valore in base alle condizioni del vento.
- 4 Selezionare **Fatto**.

Regolare la velocità di risposta della velocità del vento

È necessario regolare questa impostazione per modificare la velocità di risposta ai cambiamenti di velocità del vento.

- 1 Sul display, dalle impostazioni NMEA 2000, selezionare il nome del dispositivo (GND 10).
- 2 Selezionare **Filtro velocità vento**.
- 3 Selezionare un'opzione:
 - Selezionare **Disattivato** per disattivare il filtro e rendere lo schermo più reattivo alle modifiche di velocità del vento.
 - Selezionare **Attivato** e regolare il valore. Selezionare un valore superiore per incrementare la reattività dello schermo ai cambi di velocità del vento oppure un valore inferiore per diminuirla.
 - Selezionare **Auto** per regolare automaticamente il valore in base alle condizioni del vento.
- 4 Selezionare **Fatto**.

Manutenzione e conservazione

- Se necessario, utilizzare del sapone delicato per pulire il trasduttore del vento e risciacquarlo con acqua. Non utilizzare detergenti o acqua ad alta pressione.
- Si consiglia di rimuovere il trasduttore del vento e conservarlo in un luogo asciutto nel caso non venga utilizzato per lunghi periodi di tempo.
- Si consiglia di rimuovere il WSI e conservarlo in un luogo asciutto nel caso non venga utilizzato per lunghi periodi di tempo.
- Per una conservazione ottimale, posizionare il trasduttore del vento in un luogo esposto alla luce. Ciò consente di mantenere carica la batteria del dispositivo.
- Se si conserva il trasduttore del vento in un luogo buio, si consiglia di sostituire la batteria all'inizio di ogni stagione. Le batterie sostitutive sono disponibili presso il rivenditore Garmin locale o sul sito Web www.garmin.com.

Associare il trasduttore del vento al WSI

Prima di poter associare il trasduttore del vento al WSI, è necessario disporre di un display Garmin, ad esempio un GMI 20 collegato alla stessa rete NMEA 2000 del GND 10.

Il trasduttore del vento viene associato al WSI in fabbrica. Associare il trasduttore del vento al WSI solo se si sostituisce il dispositivo.

- 1 Rimuovere il coperchio della batteria sul trasduttore del vento.
- 2 Posizionare il trasduttore del vento a una distanza massima di 2 m (6 piedi) dal WSI e tenere premuto il pulsante bianco finché il LED non si spegne. La precedente associazione viene cancellata dalla memoria del trasduttore.
- 3 Sul display, dalle impostazioni NMEA 2000, selezionare il GND 10.
- 4 Selezionare **Configurazione generica**.
- 5 Inserire **"UP"** (che sta per un-pair (annulla associazione)) e selezionare **Fatto**. La precedente associazione viene cancellata dal WSI.
- 6 Posizionare il trasduttore del vento a una distanza massima di 2 m (6 piedi) dal WSI, e premere una volta sola il pulsante bianco e controllare il LED:
 - Quando il LED lampeggia due volte e infine si spegne, l'associazione è stata eseguita correttamente.
 - Quando il LED lampeggia due volte, quindi lampeggia un'altra volta per circa un secondo, l'associazione non è stata eseguita. Avvicinare il dispositivo al WSI e ripetere

questo passaggio finché l'associazione non viene eseguita correttamente.

- 7 Riposizionare il coperchio della batteria sul trasduttore del vento.

Caratteristiche tecniche

Specifiche	Valore
Dimensioni dopo l'installazione (A×L)	345 mm (13,58 poll.) × 610 mm (24 poll.)
Peso	350 g (12,35 once)
Temperatura operativa	Da -20° a 50°C (da -4° a 122°F)
Temperatura di stoccaggio	Da 0° a 35°C (da 32° a 95°F)
Classificazione impermeabilità (trasduttore del vento)	IEC 60529 IPX-6 (protezione dalle mareggiate)
Classificazione impermeabilità (WSI)	IEC 60529 IPX-0 (nessuna protezione specifica)
Consumo energetico (WSI e GND 10)	1,1 W
Assorbimento di corrente tipico a 12 V cc (WSI e GND 10)	95 mA
Gamma velocità vento	Da 0,9 a 90 nodi (da 0,9 a 50 m/s)

gWind™ Wireless – Installationsanweisungen

Das Gerät liefert drahtlos Informationen zu Windgeschwindigkeit und Windwinkel an ein NMEA 2000 Netzwerk auf dem Schiff. Der Windgeber übermittelt Informationen an eine drahtlose Serverschnittstelle (WSI), die mit einer Garmin GND 10 verbunden sein muss, damit Daten an ein NMEA 2000 Netzwerk gesendet werden können.

Wichtige Sicherheitsinformationen

⚠️ WARNUNG

Lesen Sie alle Produktwarnungen und sonstigen wichtigen Informationen der Anleitung "Wichtige Sicherheits- und Produktinformationen", die dem Produkt beiliegt.

⚠️ ACHTUNG

Tragen Sie beim Bohren, Schneiden und Schleifen immer Schutzbrille, Gehörschutz und eine Staubschutzmaske.

Seien Sie bei Höhenarbeiten stets vorsichtig.

Akkuwarnungen

⚠️ WARNUNG

Ein Missachten dieser Richtlinien kann zur Verkürzung der Betriebsdauer des Akkus oder zu Schäden am Gerät, zu Feuer, chemischen Verätzungen, Auslaufen des Elektrolyts und/oder Verletzungen führen.

- Das Gerät oder die Akkus dürfen nicht zerlegt, verändert, zu einem neuen Produkt verarbeitet, durchbohrt oder beschädigt werden.
- Tauchen Sie Gerät oder Akkus nicht in Wasser ein, und setzen Sie sie nicht Wasser oder anderen Flüssigkeiten, Feuer, Explosionen oder anderen Gefahrenquellen aus.
- Verwenden Sie zum Entnehmen der Batterien keine scharfen Gegenstände.
- Bewahren Sie die Akkus außerhalb der Reichweite von Kindern auf.
- Ersetzen Sie die Akkus nur mit korrekten Ersatzakkus. Bei Verwendung anderer Batterien besteht Brand- oder Explosionsgefahr. Wenden Sie sich zum Kauf von Ersatzakkus an einen Garmin Händler, oder besuchen Sie die Garmin Website.
- Betreiben Sie das Gerät nicht, wenn die Temperatur außerhalb des Bereichs zwischen -20 °C und 50 °C (-4 °F und 122 °F) liegt.
- Bei Lagerung des Geräts über einen längeren Zeitraum sollte der Temperaturbereich zwischen 0 °C und 35 °C (32 °F und 95 °F) liegen.
- Wenden Sie sich zur ordnungsgemäßen, im Einklang mit anwendbaren örtlichen Gesetzen und Bestimmungen stehenden Entsorgung von Gerät und/oder Akku an die zuständige Abfallentsorgungsstelle.

Registrieren des Geräts

Helfen Sie uns, unseren Service weiter zu verbessern, und füllen Sie die Online-Registrierung noch heute aus.

- Rufen Sie die Website <http://my.garmin.com> auf.
- Bewahren Sie die Originalquittung oder eine Fotokopie an einem sicheren Ort auf.

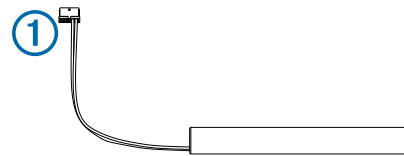
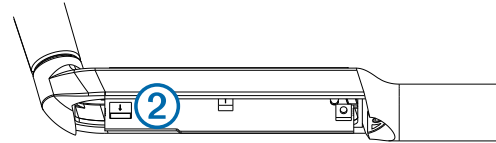
Einlegen des Akkus

HINWEIS

Der entsprechende Akku wird mit dem Gerät ausgeliefert. Wenn ein Akku eingelegt wird, der nicht von Garmin stammt oder erworben wurde, kann das Gerät beschädigt werden.

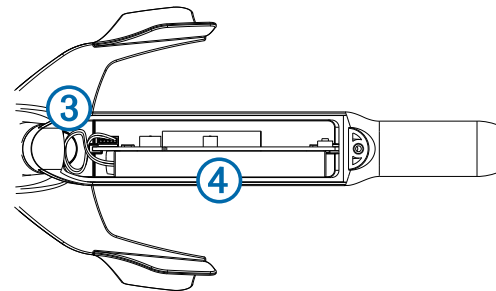
Vor der Montage des Geräts muss der mitgelieferte Akku eingelegt werden.

- 1 Öffnen Sie mit einem Kreuzschlitzschraubendreher die Akkuabdeckung des Geräts.
- 2 Verbinden Sie den Stecker des Akkus ① mit dem Anschluss an der Platine im Gerät ②.



Es gibt nur eine Möglichkeit den Stecker mit dem Anschluss zu verbinden. Wenden Sie beim Verbinden des Steckers mit dem Anschluss keine Gewalt an, da dies zu Schäden führen könnte.

- 3 Verlegen Sie das Akkukabel im Inneren des Gerätegehäuses ③, und legen Sie den Akku unter der Platine ein ④.

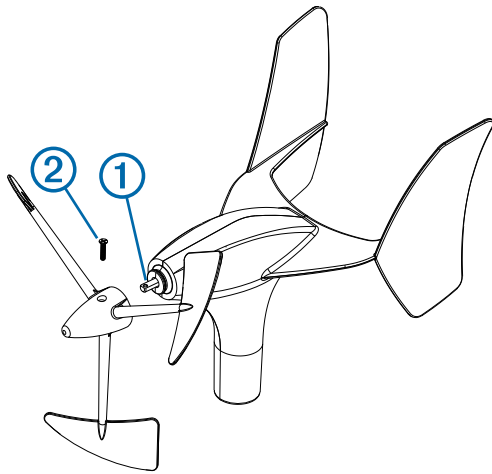


- 4 Achten Sie darauf, die Akkukabel nicht einzuklemmen, wenn Sie die Akkuabdeckung schließen und zuschrauben.

Anbringen des Propellers

- 1 Stellen Sie sicher, dass der Schaft ① in Bezug auf die Nut am Propeller korrekt ausgerichtet ist.

Die Nut am Propeller passt nur auf eine bestimmte Art in den Schaft.

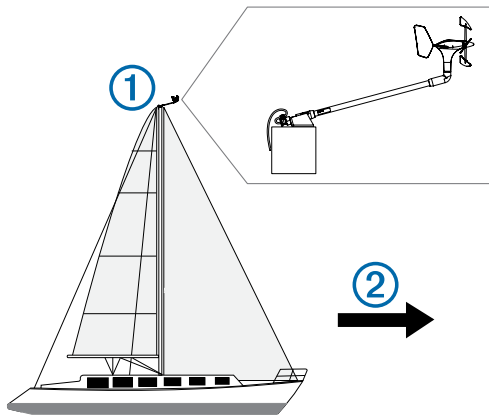


- 2 Üben Sie Druck auf den Propeller aus, bis er richtig am Gerät sitzt.
- 3 Bringen Sie die Feststellschraube ② an, um den Propeller am Gerät zu sichern.

Hinweise zur Montage

Beachten Sie bei der Auswahl eines Montageorts für den Windgeber folgende Hinweise.

- Montieren Sie den Windgeber auf einer horizontalen Fläche am Masttopp ①.



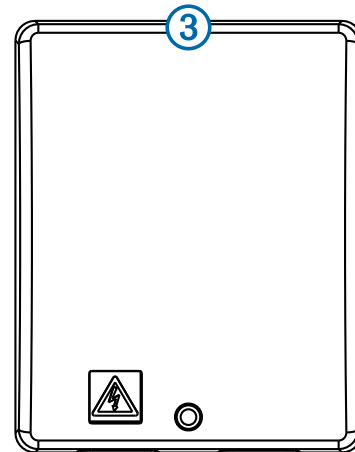
- Falls der Masttopp keine horizontale Fläche hat, muss eine solche mit einem geeigneten Klemmstück geschaffen werden.
- Montieren Sie den Windgeber in Richtung des Bugs des Schiffs ② parallel zur Mittellinie.

HINWEIS: Falls das Gerät nicht direkt auf den Bug oder das Heck ausgerichtet montiert wird, müssen Sie den Windwinkelabgleich konfigurieren, um genaue Windwinkelangaben zu erhalten. Folgen Sie dazu den Anleitungen in den vorliegenden Installationsanweisungen.

Beachten Sie bei der Auswahl eines Montageorts für die drahtlose Serverschnittstelle (WSI) folgende Hinweise.

- Bevor Sie die WSI dauerhaft montieren, müssen Sie die Signalstärke zwischen dem Windgeber und der WSI testen.
- Die WSI ist nicht wasserbeständig und muss daher an einem Ort montiert werden, an dem sie nicht mit Wasser in Berührung kommt, sei es durch Spritzwasser, Eintauchen oder eine andere Wassereinwirkung.
- Der beste Montageort für die WSI ist unter Deck in der Nähe des Rumpfes und so hoch wie möglich auf dem Schiff.
- Installieren Sie die WSI so nah wie möglich am Windgeber.

- Gegenstände aus Metall, die sich im Pfad des Windgebers und der WSI befinden, schränken die Übertragungreichweite stark ein.
- Die Antenne befindet sich oben an der WSI ③ und liefert die beste Leistung, wenn sie in Richtung des Windgebers weist.



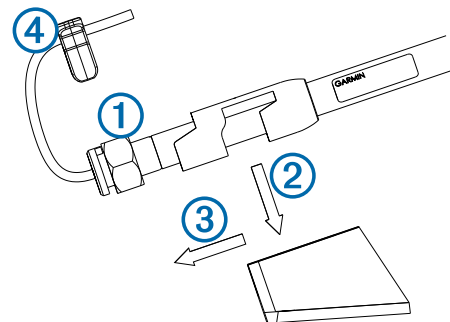
- Die WSI funktioniert am besten, wenn das Gerät an einer Schottwand parallel zur Stange mit dem Windgeber in Bug-Heck-Richtung installiert ist.

Installieren der Halterung

- 1 Verwenden Sie die Halterung als Schablone, und markieren Sie die Vorbohrungen.
- 2 Bringen Sie mit einem 4,5-mm-Bohrer ($1^{1}/_{64}$ Zoll) die Vorbohrungen an.
- 3 Befestigen Sie die Halterung mit den Schrauben aus dem Lieferumfang an der Montagefläche.

Sichern des Geräts in der Halterung

- 1 Lockern Sie die Sicherungsmutter ① am Gerät, indem Sie sie mit der Hand bis zum Anschlag gegen den Uhrzeigersinn drehen.



- 2 Setzen Sie das Gerät in die Halterung ein, indem Sie es nach unten drücken ② und bis zum Anschlag nach hinten schieben ③.
- 3 Sichern Sie das Gerät in der Halterung. Drehen Sie dazu die Sicherungsmutter mit der Hand im Uhrzeigersinn bis zum Anschlag.
- 4 Bringen Sie die Sicherungsklemme ④ am Gerät an, damit sich die Sicherungsmutter nicht löst.

Anbringen der WSI

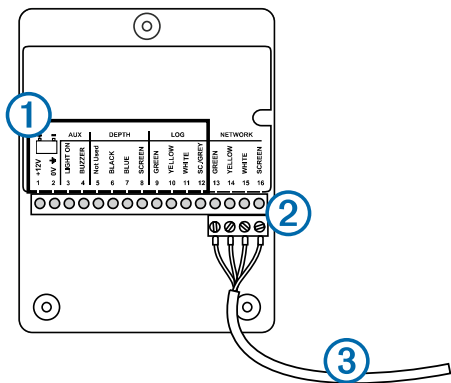
Bevor Sie die WSI dauerhaft anbringen, müssen Sie die Signalstärke zwischen dem Sensor und der Empfängerbox testen.

- 1 Ermitteln Sie den Montageort.

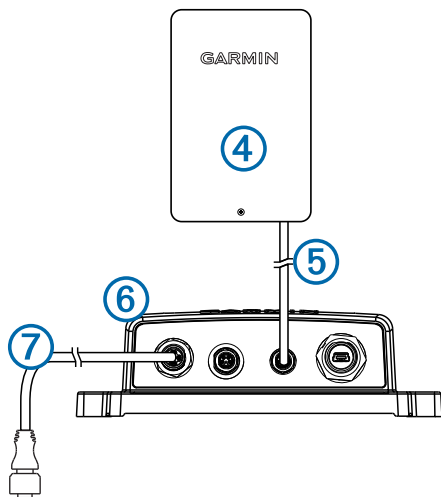
- 2 Verwenden Sie das Gerät als Schablone, und markieren Sie die Vorbohrungen auf der Montagefläche.
- 3 Bringen Sie mit einem Bohrer $\frac{1}{8}$ Zoll die Vorbohrungen an.
- 4 Befestigen Sie das Gerät mit den mitgelieferten Schrauben auf der Montagefläche.

Hinweise zum Verbinden des Geräts

Die WSI muss für die Kommunikation mit dem NMEA 2000 Netzwerk auf dem Schiff mit einer Garmin GND 10 verbunden werden. Beachten Sie beim Verbinden des mitgelieferten Kabels mit der WSI und der GND 10 folgende Hinweise.



Element	Beschreibung
①	Diese Anschlusspunkte werden beim Verbinden des Geräts mit einer GND 10 nicht verwendet, da die WSI über die GND 10 mit Strom versorgt wird. Wenn Sie die WSI mit anderen Produkten von Nexus verwenden möchten, finden Sie Informationen im Benutzerhandbuch des Nexus.
②	Es gibt nur eine Möglichkeit, diesen Stecker zu verbinden. Die Leitungsfarben müssen auf die Anschlussblöcke abgestimmt werden, bevor Sie den Steckverbinder einstecken.
③	Wird mit einem der NEXUS Anschlüsse der GND 10 verbunden



Element	Beschreibung
④	WSI
⑤	WSI Kabel
⑥	GND 10
⑦	NMEA 2000 Netzwerk

Konfigurieren des Windgebers

Damit Sie den Windgeber konfigurieren können, muss er über eine GND 10 mit einem NMEA 2000 Netzwerk verbunden sein, das ein Garmin Marineinstrument umfasst, z. B. eine GMI 20.

Weitere Informationen zum Konfigurieren von NMEA 2000 Geräten finden Sie im Benutzerhandbuch des Marineinstruments.

- 1 Rufen Sie auf dem Marineinstrument die NMEA 2000 Einstellungen auf.
- 2 Wählen Sie den Namen des zu konfigurierenden Geräts (GND 10).

Anpassen der Ausrichtung

Passen Sie diese Einstellung an, wenn der Sensor nicht direkt zum Bug des Schiffs weist.

- 1 Wählen Sie auf dem Marineinstrument in den NMEA 2000 Einstellungen den Gerätenamen (GND 10) aus.
- 2 Wählen Sie **Windwinkelabgleich**.
- 3 Basierend auf der Richtung, in die der Sensor in Bezug auf die genaue Mitte des Schiffsbugs weist, wählen Sie den Winkel (in Grad) aus, um den Unterschied in der Ausrichtung auszugleichen.

Der Winkel wird im Uhrzeigersinn rund um den Mast des Schiffs ab der genauen Mitte des Schiffsbugs konfiguriert. Beispielsweise sind 90 Grad Steuerbord und 270 Grad Backbord.

- 4 Wählen Sie **Fertig**.

Anpassen des Windwinkelfilters

Sie sollten diese Einstellung anpassen, um die Empfindlichkeit der Anzeige in Bezug auf Änderungen der Windrichtung zu ändern.

- 1 Wählen Sie auf dem Marineinstrument in den NMEA 2000 Einstellungen den Gerätenamen (GND 10) aus.
- 2 Wählen Sie **Windwinkelfilter**.
- 3 Wählen Sie eine Option:
 - Wählen Sie **Aus**, um den Filter zu deaktivieren. Die Anzeige reagiert dann sehr empfindlich auf Änderungen des Windwinkels.
 - Wählen Sie **Ein**, um den Wert anzupassen. Wählen Sie eine höhere Zahl aus, um die Empfindlichkeit der Anzeige in Bezug auf Änderungen des Windwinkels zu erhöhen, oder wählen Sie eine niedrigere Zahl aus, um die Empfindlichkeit zu verringern.
 - Wählen Sie **Automatisch**, damit die Filtereinstellungen automatisch an die Windverhältnisse angepasst werden.
- 4 Wählen Sie **Fertig**.

Anpassen des Windgeschwindigkeitsfilters

Sie sollten diese Einstellung anpassen, um die Empfindlichkeit der Anzeige in Bezug auf Änderungen der Windgeschwindigkeit zu ändern.

- 1 Wählen Sie auf dem Marineinstrument in den NMEA 2000 Einstellungen den Gerätenamen (GND 10) aus.
- 2 Wählen Sie **Windgeschwindigkeitsfilter**.
- 3 Wählen Sie eine Option:
 - Wählen Sie **Aus**, um den Filter zu deaktivieren. Die Anzeige reagiert dann sehr empfindlich auf Änderungen des Windwinkels.
 - Wählen Sie **Ein**, um den Wert anzupassen. Wählen Sie eine höhere Zahl aus, um die Empfindlichkeit der Anzeige in Bezug auf Änderungen der Windgeschwindigkeit zu erhöhen, oder wählen Sie eine niedrigere Zahl aus, um die Empfindlichkeit zu verringern.
 - Wählen Sie **Automatisch**, damit die Filtereinstellungen automatisch an die Windverhältnisse angepasst werden.
- 4 Wählen Sie **Fertig**.

Wartung und Aufbewahrung

- Reinigen Sie den Windgeber bei Bedarf mit einer milden Seifenlösung, und spülen Sie ihn mit Wasser ab. Verwenden Sie keine Reinigungsmittel und auch keinen Hochdruckwasserstrahl.
- Falls Sie den Windgeber über längere Zeit nicht verwenden, sollten Sie ihn abmontieren und an einem trockenen Ort aufbewahren.
- Falls Sie die WSI über längere Zeit nicht verwenden, sollten Sie sie abbauen und an einem trockenen Ort aufbewahren.
- Für die Aufbewahrung des Windgebers ist am besten ein Ort geeignet, an dem das Gerät Licht ausgesetzt ist. Dadurch bleibt der Akku des Geräts aufgeladen.
- Falls Sie den Windgeber an einem dunklen Ort aufbewahren, sollten Sie den Akku am Anfang jeder Saison auswechseln. Ersatzakkus sind bei Ihrem Garmin Händler vor Ort oder unter www.garmin.com erhältlich.

Koppeln des Windgebers mit der WSI

Damit Sie den Windgeber mit der WSI koppeln können, muss ein Garmin Marineinstrument, z. B. eine GMI 20, mit demselben NMEA 2000 Netzwerk wie die GND 10 verbunden sein.

Der Windgeber ist ab Werk mit der WSI gekoppelt. Sie müssen den Windgeber nur mit der WSI koppeln, wenn Sie das Gerät ersetzen.

- 1 Entfernen Sie die Akkuabdeckung des Windgebers.
- 2 Der Windgeber muss sich in einem Abstand von maximal 2 m (6 Fuß) zur WSI befinden. Halten Sie dann die weiße Taste auf der Platine gedrückt, bis die LED erlischt.
Die alten Kopplungsinformationen werden vom Windgeber gelöscht.
- 3 Wählen Sie auf dem Marineinstrument in den NMEA 2000 Einstellungen die GND 10 aus.
- 4 Wählen Sie **Allgemeine Konfiguration**.
- 5 Geben Sie **UP** ein (dies steht für „Un-pair“, also „Kopplung aufheben“). Wählen Sie dann **Fertig**.
Die alten Kopplungsinformationen werden von der WSI gelöscht.
- 6 Der Windgeber muss sich in einem Abstand von maximal 2 m (6 Fuß) zur WSI befinden. Drücken Sie dann die weiße Taste auf der Platine (halten Sie sie jedoch nicht gedrückt). Achten Sie auf die LED:
 - Wenn die LED zweimal blinkt und dann erlischt, war die Kopplung erfolgreich.
 - Wenn die LED zweimal und dann ein weiteres Mal für etwa eine Sekunde blinkt, war die Kopplung nicht erfolgreich. Verringern Sie den Abstand zwischen dem Gerät und der WSI, und wiederholen Sie diesen Schritt, bis die Kopplung erfolgreich war.
- 7 Setzen Sie die Akkuabdeckung des Windgebers wieder auf.

Technische Daten

Angabe	Wert
Abmessungen (montiert; H × L)	345 mm (13,58 Zoll) × 610 mm (24 Zoll)
Gewicht	350 g (12,35 Unzen)
Betriebstemperatur	-20 °C bis 50 °C (-4 °F bis 122 °F)
Lagertemperatur	0 °C bis 35 °C (32 °F bis 95 °F)
Wasserbeständigkeit (Windgeber)	IEC 60529 IPX-6 (Schutz bei rauher See)
Wasserbeständigkeit (WSI)	IEC 60529 IPX-0 (kein spezieller Schutz)

Angabe	Wert
Leistungsaufnahme (WSI und GND 10)	1,1 W
Typische Stromaufnahme bei 12 V Gleichspannung (WSI und GND 10)	95 mA
Windgeschwindigkeitsbereich	0,9 bis 90 Knoten (0,9 bis 50 m/s)

Instrucciones de instalación de gWind™ Wireless

Este dispositivo proporciona información de la velocidad y el ángulo del viento a una red NMEA 2000 en la embarcación. El transductor de viento transmite información a una interfaz de servidor inalámbrico (WSI), que debe conectarse a un Garmin GND 10 para enviar datos a una red NMEA 2000.

Información importante sobre seguridad

⚠ AVISO

Consulta la guía Información importante sobre el producto y tu seguridad que se incluye en la caja del producto y en la que encontrarás advertencias e información importante sobre el producto.

⚠ ADVERTENCIA

Utiliza siempre gafas de seguridad, un protector de oídos y una máscara antipolvo cuando vayas a realizar orificios, cortes o lijados.

Mantén la precaución cuando trabajes en sitios elevados.

Avisos sobre la pila

⚠ AVISO

Si no se siguen estas indicaciones, puede reducirse el ciclo vital de la pila o se pueden producir riesgos de daños al dispositivo, fuego, quemaduras químicas, fuga de electrolitos y heridas.

- No desmontes, modifiques, reacondiciones, perfores ni dañes el dispositivo o la pila.
- No sumerjas el dispositivo o la pila, ni los expongas al agua u otros líquidos, fuego, explosiones u otros riesgos.
- No utilices ningún objeto puntiagudo para extraer las pilas.
- Mantén la pila fuera del alcance de los niños.
- Sustituye la pila únicamente con pilas de sustitución adecuadas. Utilizar otras pilas conlleva un riesgo de fuego o explosión. Para comprar pilas de sustitución, pregunta a tu distribuidor de Garmin o visita el sitio web de Garmin.
- No hagas funcionar el dispositivo si la temperatura está fuera del siguiente intervalo: -20° a 50 °C (-4° a 122 °F).
- Si vas a guardar el dispositivo durante un periodo de tiempo prolongado, guárdalo con el siguiente intervalo de temperatura: de 0° a 35 °C (de 32° a 95 °F).
- Ponte en contacto con el servicio local de recogida de basura para desechar el dispositivo o la pila de forma que cumpla todas las leyes y normativas locales aplicables.

Registro del dispositivo

Completa hoy mismo el registro en línea y ayúdanos a ofrecerte un mejor servicio.

- Visita <http://my.garmin.com>.
- Guarda la factura original o una fotocopia en un lugar seguro.

Instalación de la pila

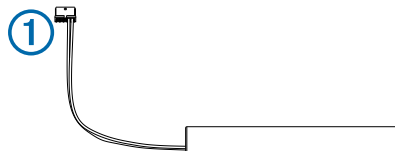
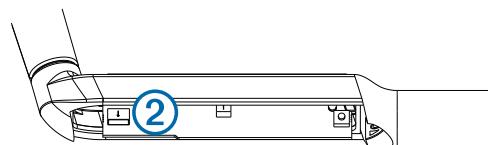
NOTIFICACIÓN

Con este dispositivo se proporciona la pila adecuada. Si instalas una pila no proporcionada por Garmin o no comprada a través de dicho sitio, puedes dañar el dispositivo.

Antes de montar el dispositivo, debes instalar la pila incluida.

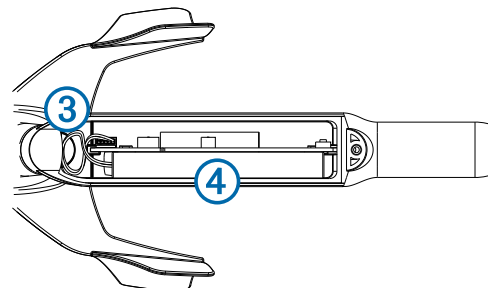
- 1 Con un destornillador del número 2 de Phillips, abre el compartimento de la pila del dispositivo.

- 2 Inserta el conector de la pila ① al puerto del panel del interior del dispositivo ②.



El conector encaja en el puerto en una única dirección. Si fuerzas el conector en el puerto, puedes dañarlo.

- 3 Pasa el cable de la pila por dentro de la cubierta del dispositivo ③ y coloca la pila debajo del panel ④.

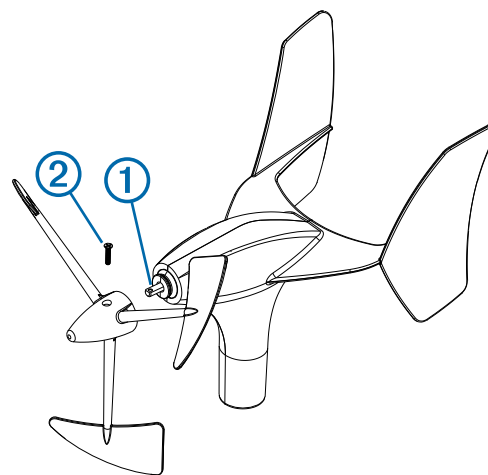


- 4 Cierra y fija el compartimento de la pila evitando que los cables queden apretados o pillados.

Instalación de la hélice

- 1 Asegúrate de que el eje ① está alineado correctamente con la ranura de la hélice.

La ranura de la hélice sólo encaja en el eje en una dirección.

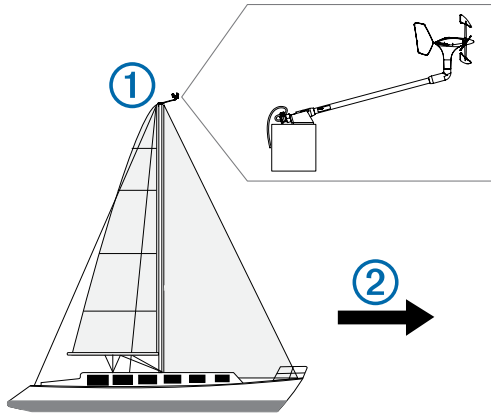


- 2 Presiona sobre la hélice hasta que quede encajada en el dispositivo.
- 3 Instala el tornillo de presión ② para mantener la hélice fijada de forma segura en el dispositivo.

Especificaciones sobre el montaje

Ten en cuenta las siguientes especificaciones cuando vayas a seleccionar la ubicación de montaje del transductor de viento.

- El transductor de viento debe montarse en una superficie horizontal en la parte superior del mástil ①.

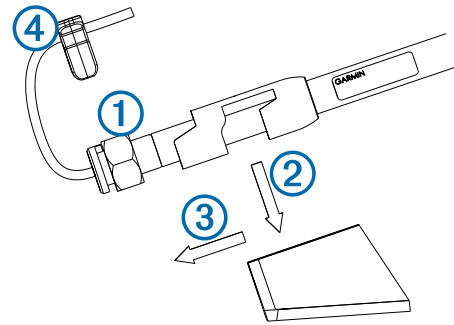


Instalación del soporte de montaje

- 1 Marca las ubicaciones de los orificios guía utilizando el soporte de montaje como plantilla.
- 2 Con una broca de 4,5 mm ($1\frac{1}{64}$ in), perfora los orificios guía.
- 3 Fija el soporte de montaje a la superficie utilizando los tornillos suministrados.

Fijación del dispositivo en el soporte de montaje

- 1 Afloja la tuerca de fijación ① en el dispositivo girándola manualmente en el sentido contrario a las agujas del reloj hasta que se detenga.



- 2 Coloca el dispositivo en el soporte de montaje presionando hacia abajo ② y deslizándolo hacia atrás hasta que se detenga ③.
- 3 Fija el dispositivo en el soporte girando la tuerca de fijación a mano hasta que se detenga.
- 4 Coloca la abrazadera de seguridad ④ en el dispositivo para impedir que se afloje la tuerca de fijación.

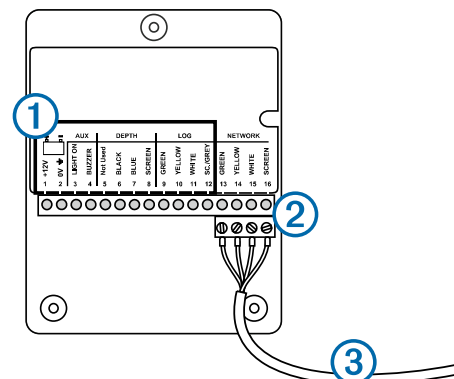
Montaje de la WSI

Antes de montar de forma permanente la WSI, debes probar la intensidad de la señal entre el sensor y la caja receptora .

- 1 Selecciona la ubicación de montaje.
- 2 En la superficie de montaje, marca la ubicación de los orificios guía utilizando el propio dispositivo como plantilla.
- 3 Con una broca de $\frac{1}{8}$ pulg, taladra los orificios guía.
- 4 Fija el dispositivo a la superficie de montaje con los tornillos suministrados.

Especificaciones sobre la conexión

La WSI debe conectarse a un Garmin GND 10 para comunicarse con la red NMEA 2000 de la embarcación. Al conectar el cable incluido a la WSI y al GND 10, ten en cuenta estas especificaciones.

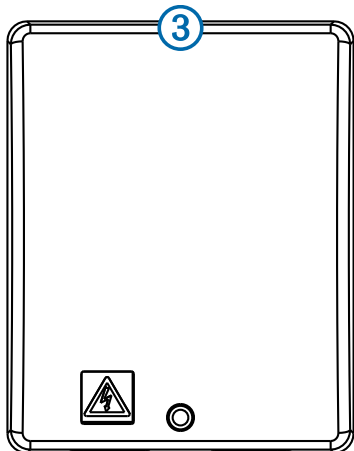


- Si no hay disponible ninguna superficie horizontal en el mástil, deberá añadirse el elemento apropiado para crearla.
- El transductor de viento debe instalarse mirando hacia la parte delantera de la embarcación ②, en paralelo al eje central.

NOTA: si no montas el dispositivo mirando exactamente a la parte delantera de la embarcación o si lo montas orientado a la parte trasera, para recibir datos precisos del ángulo del viento deberás configurar la variación del ángulo del viento siguiendo las indicaciones incluidas en estas instrucciones de instalación.

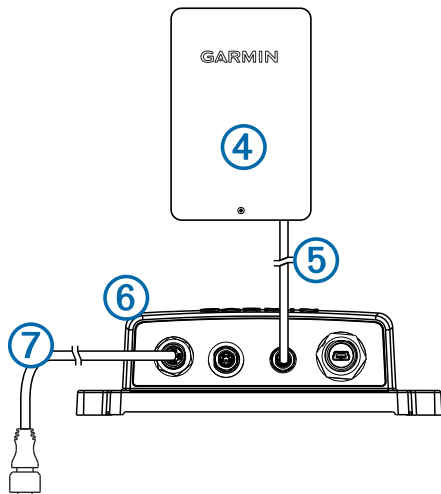
Ten en cuenta las siguientes especificaciones cuando vayas a seleccionar la ubicación de montaje de la interfaz del servidor inalámbrico (WSI).

- Antes de montar de forma permanente la WSI, debes probar la intensidad de la señal entre el transductor de viento y la WSI.
- La WSI no es resistente al agua y debe instalarse en una ubicación que no esté expuesta a la inmersión en agua o a salpicaduras.
- La mejor ubicación para la WSI es bajo cubierta, cerca del casco y tan alto como sea posible en la embarcación.
- Debes instalar la WSI tan cerca como puedas del transductor de viento.
- La presencia de objetos metálicos en la trayectoria del transductor de viento y la WSI reducen significativamente la distancia de transmisión.
- La antena se encuentra en la parte superior de la WSI ③ y funciona mejor cuando apunta hacia el transductor de viento.



- La WSI funciona mejor cuando se instala en un mamparo, en paralelo al poste del transductor de viento, en dirección proa-popa.

Elemento	Descripción
①	Estos terminales no se utilizan cuando se conecta el dispositivo a un GND 10, puesto que la WSI recibe alimentación del GND 10. Si deseas usar la WSI con otros productos Nexus, consulta el manual del usuario del dispositivo Nexus.
②	Este conector solo encaja en una dirección. Haz coincidir los colores de los hilos con los bloques de terminales antes de introducir el conector.
③	Se conecta a cualquier puerto NEXUS del GND 10



Elemento	Descripción
④	WSI
⑤	Cable WSI
⑥	GND 10
⑦	Red NMEA 2000

Configuración del transductor de viento

Para poder configurar el transductor de viento, este debe conectarse a través de un GND 10 a una red NMEA 2000 con un instrumento náutico Garmin, como un GMI 20. Consulta el manual del usuario del instrumento náutico para obtener más información sobre la configuración de dispositivos NMEA 2000.

- 1 En el instrumento náutico, vaya a la configuración de NMEA 2000.
- 2 Seleccione el nombre del dispositivo (GND 10) para configurarlo.

Ajuste de la orientación

Debes ajustar esta configuración si el sensor no está orientado exactamente hacia la parte delantera de la embarcación.

- 1 En el instrumento náutico, en la configuración de NMEA 2000, selecciona el nombre del dispositivo (GND 10).
- 2 Selecciona **Variación del ángulo del viento**.
- 3 En función de la dirección en la que esté orientado el sensor en relación con el centro exacto de la parte delantera de la embarcación, selecciona el ángulo en grados para ajustar la diferencia en la orientación.

El ángulo se configura en el sentido de las agujas del reloj alrededor del mástil de la embarcación, a partir del centro exacto de la parte delantera de la embarcación. Por ejemplo, 90 grados es estribor y 270 grados es babor.

- 4 Selecciona **Hecho**.

Ajuste del filtro de ángulo del viento

Debes ajustar esta configuración para cambiar la sensibilidad de la pantalla a los cambios en la dirección del viento.

- 1 En el instrumento náutico, en la configuración de NMEA 2000, selecciona el nombre del dispositivo (GND 10).

- 2 Selecciona **Filtro de ángulo del viento**.

- 3 Selecciona una opción:
 - Selecciona **Desactivado** para desactivar el filtro y que la pantalla sea más sensible a los cambios en el ángulo del viento.
 - Selecciona **Activado** y ajusta el valor. Selecciona un número mayor para aumentar la sensibilidad de la pantalla a los cambios en el ángulo del viento o, por el contrario, selecciona un número inferior para disminuir la sensibilidad.
 - Selecciona **Automático** para ajustar la configuración del filtro automáticamente en función de las condiciones del viento.

- 4 Selecciona **Hecho**.

Ajuste del filtro de velocidad del viento

Debes ajustar esta configuración para cambiar la sensibilidad de la pantalla a los cambios en la velocidad del viento.

- 1 En el instrumento náutico, en la configuración de NMEA 2000, selecciona el nombre del dispositivo (GND 10).

- 2 Selecciona **Filtro de velocidad del viento**.

- 3 Selecciona una opción:
 - Selecciona **Desactivado** para desactivar el filtro y que la pantalla sea más sensible a los cambios en la velocidad del viento.
 - Selecciona **Activado** y ajusta el valor. Selecciona un número mayor para aumentar la sensibilidad de la pantalla a los cambios en la velocidad del viento o, por el contrario, selecciona un número inferior para disminuir la sensibilidad.
 - Selecciona **Automático** para ajustar la configuración del filtro automáticamente en función de las condiciones del viento.

- 4 Selecciona **Hecho**.

Mantenimiento y almacenamiento

- Si es necesario limpiar el transductor de viento, usa una solución de jabón suave y acláralo con agua. No utilices detergentes o agua a presión.
- Se recomienda retirar el transductor de viento y guardarlo en una ubicación seca si no se va a utilizar durante periodos de tiempo prolongados.
- Se recomienda retirar la WSI y guardarla en una ubicación seca si no se va a utilizar durante periodos de tiempo prolongados.
- Cuando se guarde el transductor de viento, se recomienda una ubicación en la que esté expuesto a la luz. Así se mantiene la carga de la batería en el dispositivo.
- Si guardas el transductor de viento en una ubicación oscura, se recomienda sustituir la batería al inicio de cada temporada. Puedes adquirir baterías de repuesto en tu distribuidor de Garmin local o en www.garmin.com.

Vinculación del transductor de viento con la WSI

Para poder vincular el transductor de viento con la WSI, debes tener un instrumento náutico Garmin, como un GMI 20, conectado a la misma red NMEA 2000 que el GND 10.

Este transductor de viento está vinculado con la WSI de fábrica. Debes vincular el transductor de viento con la WSI solo si sustituyes el dispositivo.

- 1 Retira la tapa de la batería del transductor de viento.
- 2 Acerca el transductor de viento a 2 m (6 ft) de la WSI y mantén pulsado el botón blanco del cuadro de circuito hasta que el LED se apague.

La información de vinculación antigua se borra del transductor de viento.

3 En el instrumento náutico, en la configuración de NMEA 2000, selecciona el GND 10.

4 Selecciona **Configuración genérica**.

5 Introduce **"UP"** (que representa "desvincular") y selecciona **Hecho**.

La información de vinculación antigua se borra de la WSI.

6 Acerca el transductor de viento a 2 m (6 ft) de la WSI, pulsa, sin mantenerlo pulsado, el botón blanco del cuadro de circuito y observa el LED:

- Si el LED parpadea dos veces y después se apaga, la vinculación es correcta.
- Si el LED parpadea dos veces y después parpadea una vez más durante un segundo aproximadamente, la vinculación no es correcta. Acerca el dispositivo a la WSI y repite este paso hasta que la vinculación sea correcta.

7 Vuelve a colocar la tapa de la batería del transductor de viento.

Especificaciones

Especificación	Valor
Dimensiones cuando está montado (alto x largo)	345 mm (13,58 in) × 610 mm (24 in)
Peso	350 g (12,35 oz)
Temperatura de funcionamiento	De -20° a 50 °C (de -4° a 122 °F)
Temperatura de almacenamiento	De 0° a 35 °C (de 32° a 95 °F)
Nivel de resistencia al agua (transductor de viento)	IEC 60529 IPX-6 (protección en condiciones de mar gruesa)
Nivel de resistencia al agua (WSI)	IEC 60529 IPX-0 (sin protección especial)
Consumo eléctrico (WSI y GND 10)	1,1 W
Consumo de corriente típico a 12 V de CC (WSI y GND 10)	95 mA
Escala de velocidad del viento	De 0,9 a 50 m/s (de 0,9 a 90 nudos)

Instruções de instalação do gWind™ Wireless

Este transdutor de vento fornece informações relativas à velocidade e ângulo do vento sem fios a uma rede NMEA 2000 na sua embarcação. O transdutor de vento transmite informação a uma Interface de Servidor Sem Fios (WSI), que deve estar ligada a um Garmin GND 10 de forma a enviar os dados para uma rede NMEA 2000.

Informações importantes de segurança

⚠ AVISO

Consulte no guia Informações importantes de segurança e do produto, na embalagem, os avisos relativos ao produto e outras informações importantes.

⚠ PRECAUÇÃO

Utilize sempre óculos de proteção, proteção nos ouvidos e uma máscara de pó quando perfurar, cortar ou lixar.

Tenha o devido cuidado quando trabalhar em sítios altos.

Avisos relativos à bateria

⚠ AVISO

Em caso de incumprimento destas instruções, a vida útil da bateria poderá diminuir ou esta poderá apresentar o risco de provocar danos ao dispositivo, incêndios, queimaduras químicas, fuga de eletrólitos e/ou ferimentos.

- Não desmonte, modifique, tente voltar a montar, perfure nem danifique o dispositivo ou as baterias.
- Não molhe ou exponha o dispositivo ou as baterias a água ou outros líquidos, fogo, explosão ou outros elementos nocivos.
- Não utilize objetos afiados para remover as baterias.
- Mantenha as baterias fora do alcance das crianças.
- Substitua as baterias apenas por pilhas de substituição adequadas. A utilização de outras baterias representa um risco de incêndio ou explosão. Para adquirir uma bateria de substituição, consulte o seu representante Garmin ou o website Garmin.
- Não utilize o dispositivo fora do seguinte intervalo de temperatura: entre os -20 e os 50 °C (entre os -4 e os 122 °F).
- A temperatura de armazenamento do dispositivo durante um longo período de tempo deverá situar-se no seguinte intervalo: entre os 0 e os 35 °C (entre os 32 e os 95 °F).
- Contacte o seu departamento de tratamento de resíduos local para eliminar corretamente o dispositivo/as baterias de acordo com as leis e os regulamentos locais aplicáveis.

Registrar o seu dispositivo

Ajude-nos a dar-lhe a melhor assistência efetuando o registo on-line ainda hoje.

- Visite <http://my.garmin.com>.
- Guarde o recibo de compra original ou uma fotocópia num local seguro.

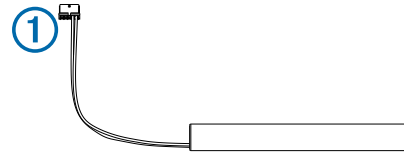
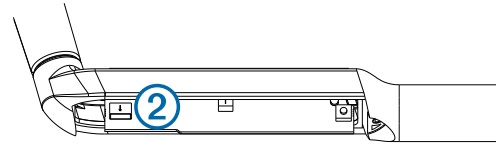
Instalar a bateria

NOTA

A bateria adequada é fornecida com este dispositivo. A instalação de uma bateria não fornecida nem adquirida à Garmin poderá danificar o dispositivo.

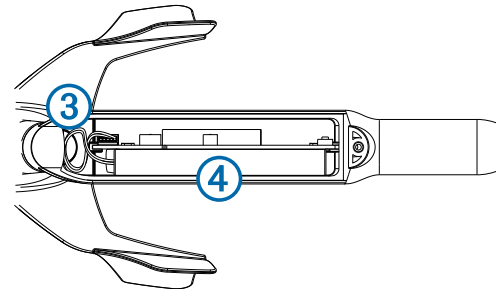
Antes de montar o dispositivo, tem de instalar a bateria incluída.

- 1 Utilizando uma chave de parafusos Philips n.º 2, abra a tampa do compartimento da bateria no dispositivo.
- 2 Introduza o conector da bateria ① na porta da placa no interior do dispositivo ②.



Só há uma forma de introduzir o conector na porta. Forçar a introdução do conector na porta poderá provocar danos.

- 3 Passe o cabo da bateria pelo interior da estrutura do dispositivo ③ e coloque a bateria sob a placa ④.

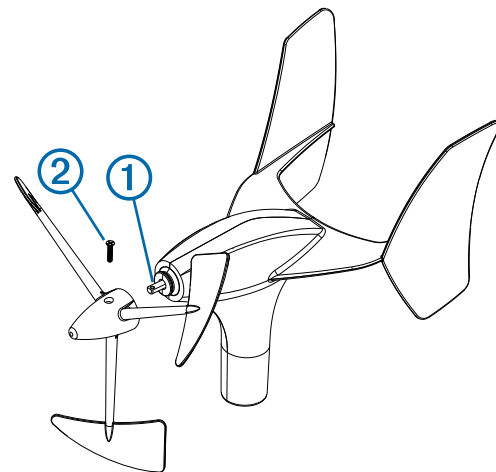


- 4 Tendo cuidado para não comprimir os fios da bateria, feche e bloqueie a porta do compartimento da bateria.

Instalar a hélice

- 1 Certifique-se de que o veio ① está corretamente alinhado em relação à ranhura na hélice.

A cavidade na hélice só encaixa de uma forma no veio.

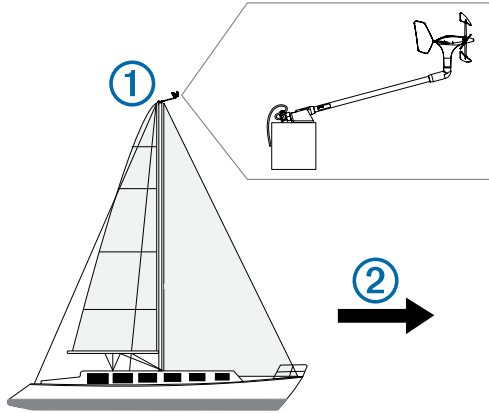


- 2 Pressione a hélice até esta assentar no dispositivo.
- 3 Instale o parafuso de pressão ② para fixar bem a hélice no dispositivo.

Considerações sobre a montagem

Ao selecionar a localização para a montagem do transdutor de vento, tenha em conta os seguintes fatores.

- O transdutor de vento deve ser montado numa superfície horizontal no topo do mastro ①.

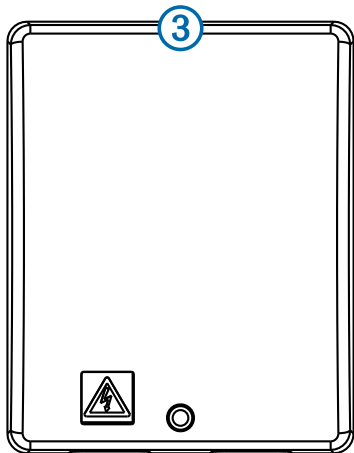


- Se não existir uma superfície horizontal no topo do mastro, deve ser adicionado um calço adequado para criar uma superfície horizontal.
- O transdutor de vento deve ser instalado virado para a frente da embarcação ②, em paralelo à linha central.

NOTA: caso não coloque o dispositivo virado para a frente exata da embarcação ou para a parte de trás da embarcação, deve configurar o desvio do ângulo do vento para receber dados precisos relativamente ao ângulo do vento, seguindo as instruções de instalação.

Ao seleccionar a localização para a montagem do transdutor de vento (WSI), tenha em conta os seguintes fatores.

- Antes de proceder à montagem permanente do WSI, deve testar a força do sinal entre o transdutor do vento e o WSI.
- O WSI não é resistente à água e deve ser instalado num local que não esteja exposto a quaisquer salpicos, água ou imersão.
- O melhor local de instalação para o WSI é sob o convés, perto do casco, num local tão alto quanto o possível.
- Deve instalar o WSI o mais perto possível do transdutor de vento.
- Objetos metálicos no caminho entre o transdutor de vento e o WSI reduzem significativamente a distância de transmissão.
- A antena está no topo do WSI ③, e funciona melhor quando está apontada para o transdutor de vento.



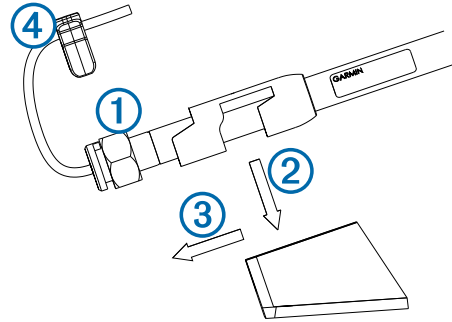
- O WSI funciona melhor quando instalado numa antepara paralela ao mastro do transdutor de vento, virado para a proa.

Instalar o suporte de montagem

- Utilizando o suporte de montagem como modelo, marque as localizações dos orifícios piloto.
- Com uma broca de 4,5 mm ($1\frac{1}{64}$ pol.), faça os orifícios piloto.
- Fixe o suporte de montagem à superfície utilizando os parafusos fornecidos.

Fixar o dispositivo no suporte de montagem

- Solte a porca de aperto ① no dispositivo, rodando-a manualmente no sentido contrário ao dos ponteiros do relógio até parar.



- Coloque o dispositivo no suporte de montagem, empurrando-o para baixo ② e deslizando-o para trás até ao batente ③.
- Fixe o dispositivo no suporte, rodando manualmente a porca de aperto no sentido dos ponteiros do relógio até parar.
- Prenda o grampo de fixação ④ ao dispositivo para evitar que a porca de aperto se solte.

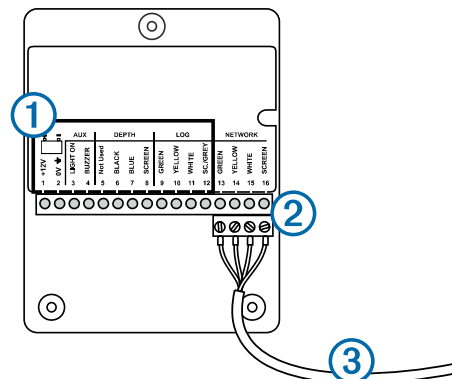
Montar o WSI

Antes de proceder à montagem permanente do WSI, deve testar a força do sinal entre o transdutor do vento e a caixa de receção.

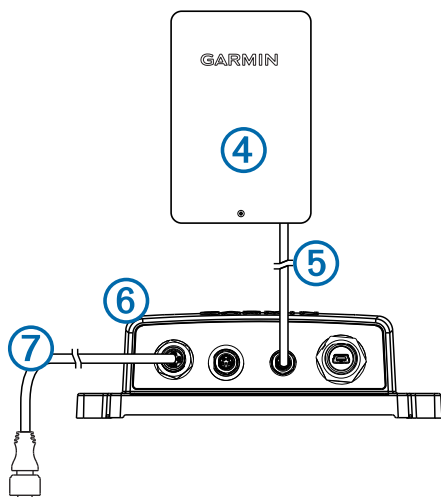
- Determine o local de montagem.
- Utilizando o dispositivo como modelo, marque o local dos orifícios piloto na superfície de montagem.
- Com uma broca de $1\frac{1}{8}$ pol., perfure os orifícios piloto.
- Utilize os parafusos fornecidos para fixar o dispositivo à superfície de montagem.

Considerações sobre a ligação

O WSI deve estar ligado a um Garmin GND 10 para comunicar com a rede NMEA 2000 na sua embarcação. Ao ligar o cabo fornecido ao WSI e ao GND 10, tenha em atenção estes fatores.



Item	Descrição
①	Estes terminais não são utilizados ao ligar este dispositivo a um GND 10 pois o WSI é alimentado pelo GND 10. Se pretende utilizar o WSI com outros produtos Nexus, consulte o manual do utilizador do Nexus.
②	Este conector só encaixa de uma forma. Faça corresponder as cores dos cabos com os blocos do terminal antes de inserir o conector.
③	Este liga-se a qualquer porta NEXUS no GND 10



Item	Descrição
④	WSI
⑤	Cabo WSI
⑥	GND 10
⑦	Rede NMEA 2000

Configurar o transdutor de vento

Antes de poder configurar o transdutor de vento, este deve ser ligado através de um GND 10 a uma rede NMEA 2000 com um instrumento marítimo Garmin, como um GMI 20. Consulte o manual do utilizador do instrumento marítimo para obter mais informações relativamente à configuração de dispositivos NMEA 2000.

- 1 No instrumento marítimo, aceda às definições NMEA 2000.
- 2 Selecione o nome do dispositivo (GND 10) para configurar.

Ajustar a orientação

Deve ajustar esta definição caso o sensor não esteja virado exatamente para a frente da embarcação.

- 1 No instrumento marítimo, a partir das definições NMEA 2000, selecione o nome do dispositivo (GND 10).
- 2 Selecione **Desvio do ângulo do vento**.
- 3 Com base no sentido para o qual o sensor está virado em relação ao centro exato da frente da embarcação, selecione o ângulo em graus para ajustar a diferença de orientação.
O ângulo é ajustado no sentido dos ponteiros do relógio em redor do mastro da embarcação a partir do centro exato da frente da embarcação. Por exemplo, 90 graus é estibordo e 270 graus bombordo.

- 4 Selecione **Concluído**.

Configurar o filtro do ângulo do vento

Deve ajustar esta definição para alterar a capacidade de resposta do ecrã a alterações da direção do vento.

- 1 No instrumento marítimo, a partir das definições NMEA 2000, selecione o nome do dispositivo (GND 10).
- 2 Selecione **Filtro do ângulo do vento**.
- 3 Selecione uma opção:

- Selecione **Desativado** para desligar o filtro e aumentar a capacidade de resposta do ecrã a alterações no ângulo do vento.
- Selecione **Ativado** e ajuste o valor. Selecione um número mais elevado para aumentar a capacidade resposta do ecrã a alterações no ângulo do vento ou um número inferior para reduzir a capacidade de resposta.
- Selecione **Auto** para ajustar automaticamente as definições do filtro com base nas condições do vento.

- 4 Selecione **Concluído**.

Configurar o filtro de velocidade do vento

Deve ajustar esta definição para alterar a capacidade de resposta do ecrã a alterações da velocidade do vento.

- 1 No instrumento marítimo, a partir das definições NMEA 2000, selecione o nome do dispositivo (GND 10).

- 2 Selecione **Filtro da velocidade do vento**.

- 3 Selecione uma opção:

- Selecione **Desativado** para desligar o filtro e aumentar a capacidade de resposta do ecrã a alterações na velocidade do vento.
- Selecione **Ativado** e ajuste o valor. Selecione um número mais elevado para aumentar a capacidade de resposta do ecrã a alterações na velocidade do vento ou um número inferior para reduzir a capacidade de resposta.
- Selecione **Auto** para ajustar automaticamente as definições do filtro com base nas condições do vento.

- 4 Selecione **Concluído**.

Manutenção e armazenamento

- Caso seja necessário, utilize sabão suave para limpar o transdutor de vento e enxague com água. Não utilize detergentes ou água de alta pressão.
- É recomendável retirar o transdutor de vento e armazená-lo num local seco caso não o vá utilizar durante longos períodos de tempo.
- É recomendável retirar o WSI e armazená-lo num local seco caso não o vá utilizar durante longos períodos de tempo.
- Ao armazenar o transdutor de vento, tente armazená-lo num local com exposição solar. Isto ajuda a manter a carga da bateria no dispositivo.
- Caso armazene o transdutor de vento num local escuro, recomenda-se a substituição da bateria no início de cada época. Pode adquirir baterias de substituição no seu concessionário Garmin local ou em www.garmin.com.

Emparelhar o transdutor de vento com o WSI

Antes de poder emparelhar o transdutor de vento com o WSI, deve possuir um instrumento marítimo Garmin, como o GMI 20, ligado à mesma rede NMEA 2000 do que o GND 10.

Este transdutor de vento é emparelhado com o WSI na fábrica. Deve emparelhar o transdutor de vento com o WSI apenas se substituir o dispositivo.

- 1 Retire a tampa do compartimento da bateria do transdutor de vento.
- 2 Coloque o transdutor de vento a 2 m (6 pés) do WSI e mantenha premido o botão branco na placa de circuito até o LED desligar.
As informações de emparelhamento antigas são eliminadas do transdutor de vento.
- 3 No instrumento marítimo, a partir das definições NMEA 2000, selecione o GND 10.
- 4 Selecione **Configuração genérica**.

5 Introduza "**UP**" (isto significa desemparelhar) e selecione **Concluído**.

As informações de emparelhamento antigas são eliminadas do WSI.

6 Coloque o transdutor de vento a 2 m (6 pés) do WSI, prima uma vez o botão branco na placa de circuito e observe o LED:

- Se o LED piscar duas vezes e desligar em seguida, o emparelhamento foi realizado com sucesso.
- Se o LED piscar duas vezes e, em seguida, piscar mais uma vez durante um segundo, o emparelhamento não foi bem sucedido. Coloque o dispositivo mais perto do WSI e repita este passo até o emparelhamento ser realizado com sucesso.

7 Volte a colocar a tampa do compartimento da bateria no transdutor de vento.

Especificações

Especificação	Valor
Dimensões quando colocado (A×C)	345 mm (13,58 pol.) × 610 mm (24 pol.)
Peso	350 g (12,35 oz.)
Temperatura de funcionamento	De -20° a 50 °C (-4° a 122 °F)
Temperatura de armazenamento	De 0° a 35 °C (32° a 95 °F)
Classificação de resistência à água (transdutor de vento)	IEC 60529 IPX-6 (protegido contra mares agitados)
Classificação de resistência à água (WSI)	IEC 60529 IPX-0 (sem proteção especial)
Consumo energético (WSI e GND 10)	1,1 W
Consumo típico de corrente a 12 Vcc (WSI e GND 10)	95 mA
Intervalo de velocidade do vento	De 0,9 a 90 nós (de 0,9 a 50 m/s)

gWind™ Wireless installatie-instructies

Dit toestel levert draadloos gegevens over de windsnelheid en de windhoek aan een NMEA 2000 netwerk op uw boot. De windtransducer verzendt informatie naar een wireless server interface (WSI), die moet zijn verbonden met een Garmin GND 10 om gegevens te verzenden naar een NMEA 2000 netwerk.

Belangrijke veiligheidsinformatie

⚠ WAARSCHUWING

Lees de gids Belangrijke veiligheids- en productinformatie in de verpakking voor productwaarschuwingen en andere belangrijke informatie.

⚠ LET OP

Draag altijd een veiligheidsbril, orbeschermers en een stofmasker tijdens het boren, zagen en schuren.

Wees voorzichtig bij het werken op grote hoogte.

Batterijwaarschuwingen

⚠ WAARSCHUWING

Het niet opvolgen van deze richtlijnen kan tot gevolg hebben dat de levensduur van de batterij wordt verkort, of dat het risico ontstaat van schade aan het toestel, brand, chemische ontbranding, elektrolytische lekkage en/of letsel.

- Haal het toestel of de batterijen niet uit elkaar, pas het toestel of de batterijen niet aan, prik er geen gaten in en beschadig het toestel of de batterijen niet.
- Dompel het toestel of de batterijen niet onder in water of een andere vloeistof en stel niet bloot aan vuur, explosies of andere gevaren.
- Gebruik nooit een scherp voorwerp om batterijen te verwijderen.
- Bewaar batterijen buiten het bereik van kinderen.
- Vervang batterijen alleen door vervangingsbatterijen van het juiste type. Gebruik van andere batterijen kan tot brand- en explosiegevaar leiden. Ga voor vervangingsbatterijen naar uw Garmin dealer of de Garmin website.
- Gebruik het toestel alleen binnen het volgende temperatuurbereik: van -20° tot 50°C (van -4° tot 122°F).
- Indien u het toestel gedurende langere tijd opbergt, doe dit dan binnen het volgende temperatuurbereik: van 0° tot 35°C (van 32° tot 95°F).
- Neem volgens de plaatselijke regelgeving contact op met de afvalverwerker om het toestel/batterijen af te danken.

Het toestel registreren

Vul de onlineregistratie nog vandaag in, zodat wij u beter kunnen helpen.

- Ga naar <http://my.garmin.com>.
- Bewaar uw originele aankoopbewijs of een fotokopie op een veilige plek.

De batterij plaatsen

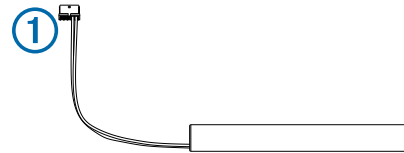
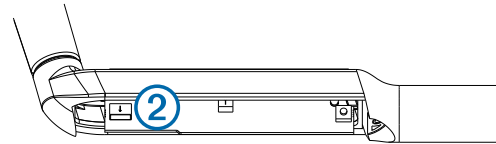
KENNISGEVING

De juiste batterij wordt meegeleverd bij het toestel. Indien u een batterij plaatst die niet is meegeleverd of aangeschaft bij Garmin, kan het toestel beschadigd raken.

Plaats de meegeleverde batterij voordat u het toestel bevestigt.

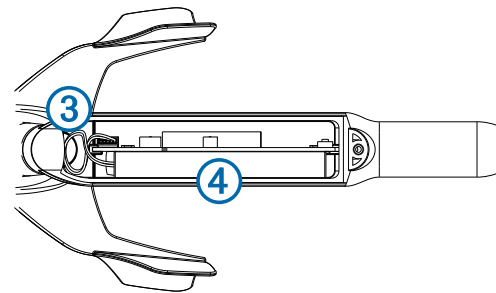
- 1 Open de batterijklep aan de achterkant van het toestel met een kruiskopschroevendraaier, nr. 2.

- 2 Sluit de connector van de batterij ① aan op de poort op het bord aan de binnenzijde van het toestel ②.



De connector kan op slechts een manier op de poort worden aangesloten. De poort kan beschadigd raken indien u probeert de connector met kracht aan te sluiten.

- 3 Leid de kabel van batterij door de behuizing van het toestel ③ en plaats de batterij onder het bord ④.

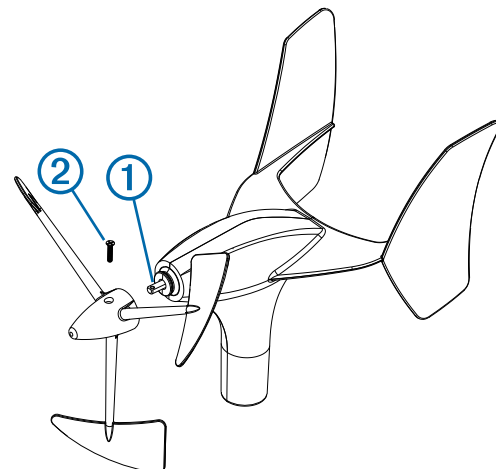


- 4 Sluit de batterijklep. Zorg ervoor dat de kabel van de batterij niet klem komt te zitten.

De propeller installeren

- 1 Zorg dat de schacht ① correct is uitgelijnd met de sleuf/ inkeping op de propeller.

De mof op de propeller past maar op één manier op de schacht.

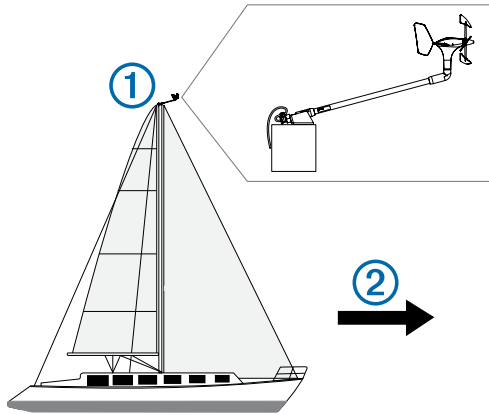


- 2 Druk op de propeller totdat deze vastzit op het toestel.
- 3 Breng de bevestigingsschroef ② aan om de propeller stevig aan het toestel te bevestigen.

Aandachtspunten bij de montage

Houd rekening met de volgende aandachtspunten bij het kiezen van een bevestigingslocatie voor de windtransducer.

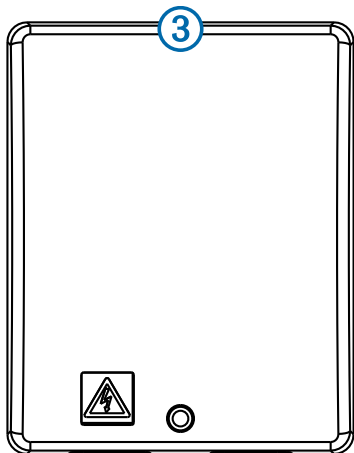
- De windtransducer dient te worden gemonteerd op een horizontaal oppervlak in de top van de mast ①.



- Als er geen horizontaal oppervlak in de top van de mast aanwezig is, dient een geschikte aanpassing te worden gemaakt om een horizontaal oppervlak te creëren.
 - De windtransducer moet worden geïnstalleerd in de richting van de voorzijde van de boot ②, parallel aan de middenlijn.
- OPMERKING:** Als u het toestel niet exact naar de voorzijde van de boot richt, of in de richting van de achterzijde van de boot monteert, moet u een windhoekcorrectie instellen om nauwkeurige windhoekgegevens te ontvangen. Volg hiervoor de aanwijzingen in deze installatie-instructies.

Houd rekening met de volgende aandachtspunten bij het kiezen van een bevestigingslocatie voor de wireless server interface (WSI).

- Voordat u de WSI permanent bevestigt, moet u de signaalsterkte tussen de windtransducer en de WSI testen.
- De WSI is niet waterbestendig en moet worden geïnstalleerd op een locatie waar deze niet nat kan worden door onderdompeling, lekwater of spatwater.
- De beste locatie voor de WSI is onder het dek, nabij de scheepswand, zo hoog mogelijk in de boot.
- U dient de WSI zo dicht mogelijk bij de windtransducer te installeren.
- Metalen objecten in het pad tussen de windtransducer en de WSI zullen de zendafstand aanzienlijk beperken.
- De antenne bevindt zich boven op de WSI ③, en werkt het beste wanneer deze in de richting van de windtransducer wijst.



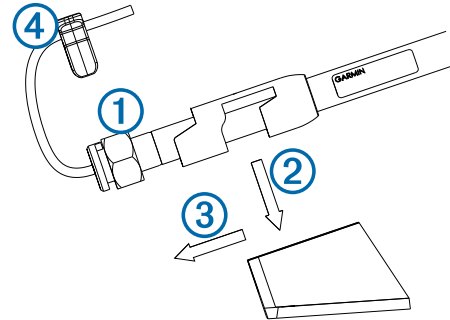
- De WSI werkt het beste bij installatie op een scheidingswand evenwijdig aan de paal van de windtransducer, in voor-achterrichting.

De montagesteun installeren

- Gebruik de montagesteun als sjabloon om de locaties te markeren die u wilt voorboren.
- Gebruik een boor van 4,5 mm ($11/64$ inch) om de gaatjes te boren.
- Bevestig de montagesteun met de meegeleverde schroeven op het oppervlak.

Het toestel in de montagesteun bevestigen

- Draai de borgmoer ① op het toestel met de hand tegen de klok in totdat de moer niet verder gaat.



- Plaats het toestel in de montagesteun door het omlaag te drukken ② en naar achteren te schuiven tot het niet verder gaat ③.
- Maak het toestel in de steun vast door de borgmoer met de hand mee te draaien totdat de moer niet verder gaat.
- Bevestig de beveiligingsklem ④ op het toestel om te voorkomen dat de borgmoer losraakt.

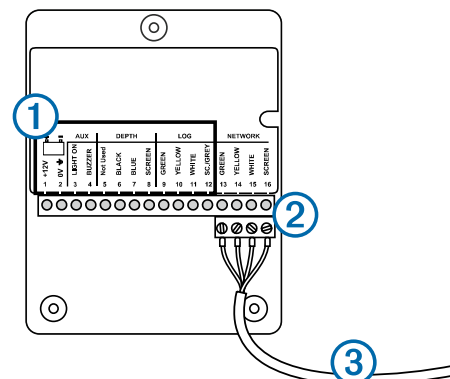
Montage van de WSI

Voordat u de WSI permanent bevestigt, moet u de signaalsterkte tussen de sensor en de ontvanger testen.

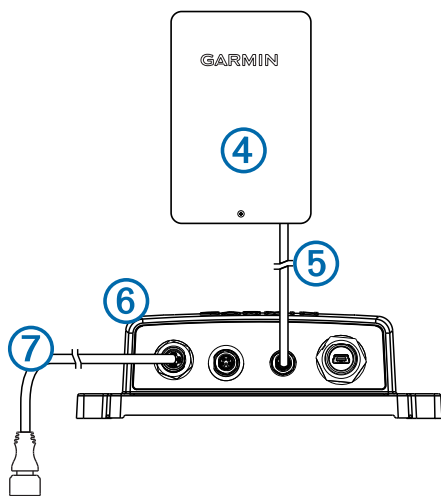
- Kies de bevestigingsplek.
- Gebruik het toestel als sjabloon en markeer de voorboorgaten op het montageoppervlak.
- Gebruik een boor van $1/8$ inch om de voorboorgaten te boren.
- Gebruik de meegeleverde schroeven om het toestel op het montageoppervlak te bevestigen.

Aandachtspunten bij de aansluiting

U moet de WSI aansluiten op een Garmin GND 10 om te communiceren met het NMEA 2000 netwerk op uw boot. Houd rekening met de volgende punten wanneer u de meegeleverde kabel aansluit op de WSI en de GND 10.



Onderdeel	Beschrijving
①	Deze aansluitingen worden niet gebruikt wanneer u dit toestel aansluit op een GND 10, omdat de WSI van stroom wordt voorzien door de GND 10. Als u de WSI in combinatie met andere Nexus producten wilt gebruiken, raadpleeg dan de gebruikershandleiding van het Nexus toestel.
②	Deze connector past op slechts één manier. Zorg dat de draadkleuren overeenkomen met de aansluitblokje voordat u de connector aansluit.
③	Wordt verbonden met een van de NEXUS poorten op de GND 10



Onderdeel	Beschrijving
④	WSI
⑤	WSI kabel
⑥	GND 10
⑦	NMEA 2000 netwerk

De windtransducer configureren

Voordat u de windtransducer kunt configureren, moet deze via een GND 10 worden aangesloten op een NMEA 2000 netwerk met een Garmin scheepsinstrument, zoals een GMI 20. Raadpleeg de gebruikershandleiding van het scheepsinstrument voor meer informatie over het configureren van NMEA 2000 toestellen.

- 1 Ga op het scheepsinstrument naar de NMEA 2000 instellingen.
- 2 Selecteer de naam van het toestel (GND 10) om het toestel te configureren.

De richting aanpassen

U moet deze instelling aanpassen als de sensor niet exact naar de voorkant van de boot wijst.

- 1 Selecteer op het scheepsinstrument, bij de NMEA 2000 instellingen, de toestelnaam (GND 10).
- 2 Selecteer **Offset windhoek**.
- 3 Selecteer op basis van de richting waarin de sensor is gericht in relatie tot het exacte midden van de voorkant van de boot, de hoek in graden waarmee het verschil in richting kan worden aangepast.

Bij het bepalen van de hoek rekent u met de klok mee rond de mast van de boot, vanaf het exacte midden van de voorkant van de boot. Bijvoorbeeld: 90 graden is stuurboord en 270 graden is bakboord.

- 4 Selecteer **Gereed**.

Het windhoekfilter aanpassen

U moet deze instelling aanpassen om de gevoeligheid van het scherm voor wijzigingen in de windrichting te wijzigen.

- 1 Selecteer op het scheepsinstrument, bij de NMEA 2000 instellingen, de toestelnaam (GND 10).
- 2 Selecteer **Filter windhoek**.
- 3 Selecteer een optie:
 - Selecteer **Uit** om het filter uit te schakelen en de gevoeligheid van het scherm voor wijzigingen in de windhoek zo groot mogelijk te maken.
 - Selecteer **Aan** en pas de waarde aan. Selecteer een hoger getal om de gevoeligheid van het scherm voor wijzigingen in de windhoek te vergroten, of selecteer een kleiner getal om de gevoeligheid te verkleinen.
 - Selecteer **Auto** om de filterinstellingen automatisch aan te passen op basis van de windomstandigheden.
- 4 Selecteer **Gereed**.

Het windsnelheidsfilter aanpassen

U moet deze instelling aanpassen om de gevoeligheid van het scherm voor wijzigingen in de windsnelheid te wijzigen.

- 1 Selecteer op het scheepsinstrument, bij de NMEA 2000 instellingen, de toestelnaam (GND 10).
- 2 Selecteer **Filter windsnelheid**.
- 3 Selecteer een optie:
 - Selecteer **Uit** om het filter uit te schakelen en de gevoeligheid van het scherm voor wijzigingen in de windsnelheid zo groot mogelijk te maken.
 - Selecteer **Aan** en pas de waarde aan. Selecteer een hoger getal om de gevoeligheid van het scherm voor wijzigingen in de windsnelheid te vergroten, of selecteer een kleiner getal om de gevoeligheid te verkleinen.
 - Selecteer **Auto** om de filterinstellingen automatisch aan te passen op basis van de windomstandigheden.
- 4 Selecteer **Gereed**.

Onderhoud en opslag

- Gebruik zo nodig een milde zeepoplossing om de windtransducer te reinigen, en spoel het toestel voorzichtig af met water. Gebruik geen reinigingsmiddelen of water onder hoge druk.
- Het wordt aanbevolen om de windtransducer te verwijderen en op een droge locatie te bewaren als het toestel gedurende een langere periode niet wordt gebruikt.
- Het wordt aanbevolen om de WSI te verwijderen en op een droge locatie te bewaren als het toestel gedurende een langere periode niet wordt gebruikt.
- Wanneer u de windtransducer opbergt, kunt u deze het beste bewaren op een plek waar het toestel is blootgesteld aan licht. Hierdoor blijft de batterij in het toestel opgeladen.
- Als u de windtransducer op een donkere plek bewaart, verdient het aanbeveling om de batterij aan het begin van elk seizoen te vervangen. Vervangende batterijen zijn verkrijgbaar bij uw lokale Garmin dealer, of via www.garmin.com.

De windtransducer koppelen met de WSI

Voordat u de windtransducer kunt koppelen met de WSI, moet u een Garmin scheepsinstrument, zoals een GMI 20 aansluiten op hetzelfde NMEA 2000 netwerk als de GND 10.

Deze windtransducer is in de fabriek gekoppeld met de WSI. U hoeft de windtransducer alleen met de WSI koppelen als u het toestel vervangt.

- 1 Verwijder het batterijklepje van de windtransducer.

- 2 Breng de windtransducer binnen 2 m (6 voet) afstand van de WSI en houd de witte knop op de printplaat ingedrukt totdat het lampje uitgaat.
De oude koppelingsgegevens worden gewist uit de windtransducer.
- 3 Selecteer op het scheepsinstrument in de NMEA 2000 instellingen de GND 10.
- 4 Selecteer **Generieke configuratie**.
- 5 Voer "UP" (UNPAIR = ontkoppelen) in en selecteer **Gereed**.
De oude koppelingsgegevens worden gewist uit de WSI.
- 6 Breng de windtransducer binnen 2 m (6 voet) afstand van de WSI en druk op de witte knop op de printplaat, maar houd deze niet ingedrukt, en kijk naar het lampje.
 - Wanneer het lampje twee keer knippert en dan uitgaat, is de koppeling geslaagd.
 - Wanneer het lampje twee keer knippert en dan nog een keer knippert gedurende circa een seconde, dan is de koppeling mislukt. Breng het toestel dichterbij de WSI en herhaal deze stap totdat de koppeling slaagt.
- 7 Plaats het batterijklepje op de windtransducer.

Specificaties

Specificatie	Waarde
Afmeting wanneer bevestigd (H×L)	345 mm (13,58 inch) × 610 mm (24 inch)
Gewicht	350 g (12,35 oz.)
Bedrijfstemperatuur	Van -20° tot 50°C (-4° tot 122°F)
Opslagtemperatuur	Van 0° tot 35°C (van 32° tot 95°F)
Waterbestendigheid (wind transducer)	IEC 60529 IPX-6 (beschermd tegen zware zee)
Waterbestendigheid (WSI)	IEC 60529 IPX-0 (geen speciale bescherming)
Stroomverbruik (WSI en GND 10)	1,1 W
Nominale opgenomen stroom bij 12 V gelijkstroom (WSI en GND 10)	95 mA
Windsnelheidsbereik	Van 0,9 tot 90 knopen (van 0,9 tot 50 m/s)

gWind™ Wireless Installationsvejledning

Denne enhed leverer trådløse oplysninger om vindens hastighed og vinkel til et NMEA 2000 netværk på båden. Transduceren sender oplysninger til en trådløs servergrænseflade (WSI), som skal være tilsluttet til en Garmin GND 10 for at sende data til et NMEA 2000 netværk.

Vigtige sikkerhedsoplysninger

⚠ ADVARSEL

Se guiden Vigtige produkt- og sikkerhedsinformationer i æsken med produktet for at se produktadvarsler og andre vigtige oplysninger.

⚠ ADVARSEL

Bær altid beskyttelsesbriller, høreværn og støvmaske, når du borer, skærer eller sliber.

Vær forsigtig, når du arbejder højt oppe.

Batteriadvarsler

⚠ ADVARSEL

Hvis disse retningslinjer ikke overholdes, kan batteriet få en kortere levetid eller forårsage beskadigelse af enheden, brand, kemisk forbrænding, elektrolytlækage og/eller personskaade.

- Du må ikke adskille, ændre, modificere, punktere eller beskadige enheden eller batterierne.
- Du må ikke nedsænke enheden eller batterierne i vand eller nogen form for væske, ild, eksplosioner eller andre former for fare.
- Brug ikke en skarp genstand til at fjerne batterierne.
- Opbevar batterierne uden for børns rækkevidde.
- Udskift kun batterierne med korrekte, nye batterier. Ved brug af andre typer batterier er der fare for brand eller eksplosion. Kontakt din Garmin forhandler, eller besøg Garmin websted, hvis du vil købe nye batterier.
- Brug ikke enheden uden for følgende temperaturområde: fra -20°C til 50°C (-4° til 122° F).
- Ved opbevaring af enheden i en længere periode skal den opbevares inden for følgende temperaturområde: 0° til 35°C (32° til 95°F).
- Kontakt din lokale genbrugsstation for at få oplysninger om korrekt bortskaffelse af enheden/batteriet i overensstemmelse med gældende love og regulativer.

Registrering af din enhed

Hjælp os med at give dig bedre support ved at gennemføre vores onlineregistrering i dag.

- Gå til <http://my.garmin.com>.
- Opbevar den originale købskvittering eller en kopi af den på et sikkert sted.

Isætning af batteriet

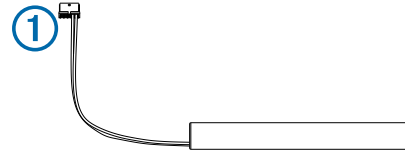
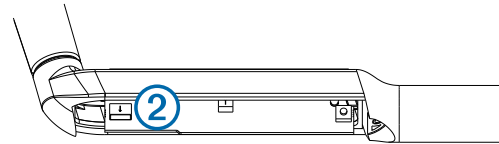
BEMÆRK

Der følger et korrekt batteri med enheden. Installation af et batteri, der er leveret af eller købt hos Garmin kan beskadige enheden.

Før du monterer enheden, skal du installere det medfølgende batteri.

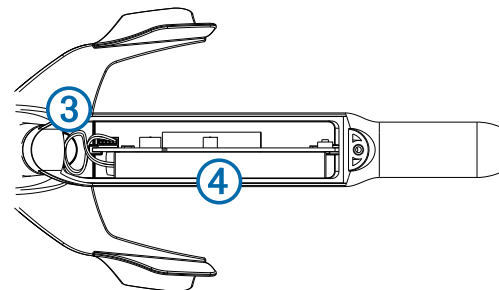
- 1 Åbn batteridækslet ved hjælp af en nummer 2 stjerneskrueetrækker.

- 2 Indsæt stikket fra batteriet ① i porten på panelet inde i enheden ②.



Stikket kan kun sidde i porten på én måde. Hvis stikket trykkes for hårdt ind i porten, kan det blive beskadiget.

- 3 Før batterikablet ind i enhedens hus ③, og placer batteriet under panelet ④.

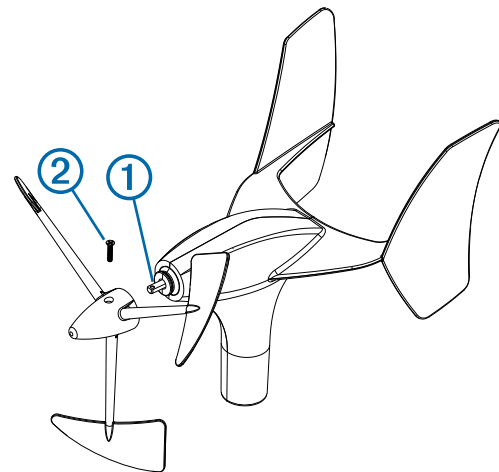


- 4 Pas på ikke at klemme batterikablerne, luk og fastgør batteridækslet.

Sådan installeres propellen

- 1 Kontroller, at akslen ① justeres korrekt med hakket på propellen.

Propellen passer kun med akslen på én måde.

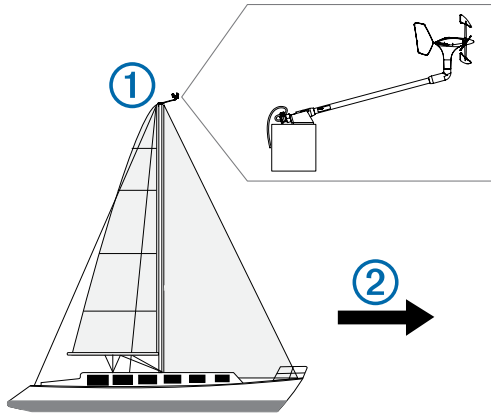


- 2 Tryk på propellen, til den sidder fast på enheden.
- 3 Installer skruen ② for at fastgøre propellen sikkert på enheden.

Overvejelser om montering

Når du vælger et monteringssted til transduceren, skal du tage højde for nedenstående.

- Transduceren skal monteres på en vandret overflade på mastehovedet ①.

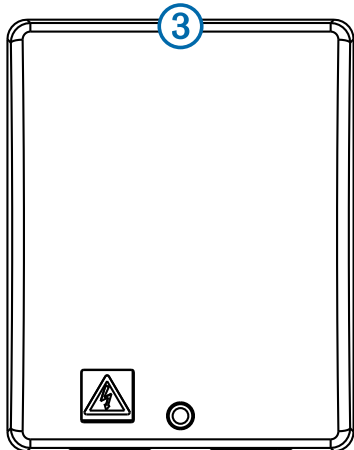


- Hvis der ikke er en vandret overflade på mastehovedet, skal der monteres en passende kile for at skabe en vandret overflade.
- Transduceren skal installeres, så den vender præcist mod bådens stævn ②, parallelt med midterlinjen.

BEMÆRK: Hvis du ikke monterer enheden, så den vender præcist mod bådens stævn, eller hvis du monterer den vendt mod bådens agterende, skal du konfigurere vindvinkelforskydningen for at modtage præcise vindvinkeldata ved at følge instruktionerne i denne installationsvejledning.

Når du vælger et monteringssted til den trådløse serverenhed (WSI), skal du tage højde for nedenstående.

- Før du monterer WSI permanent, skal du teste signalstyrken mellem transduceren og WSI.
- WSI er ikke vandtæt og skal installeres på et sted, der ikke udsættes for skumsprøjt, vandstænk eller nedsænkning i vand.
- Den bedste placering af WSI er under dækket, nær skroget, så højt som muligt i båden.
- Du bør installere WSI så tæt som muligt på transduceren.
- Metalliske genstande mellem transduceren og WSI reducerer transmissionsafstanden markant.
- Antennen sidder i toppen af WSI ③ og fungerer bedst, når den peger mod transduceren.



- WSI fungerer bedst, når den installeres på et skot parallelt med transducerens stang i retningen for-agter.

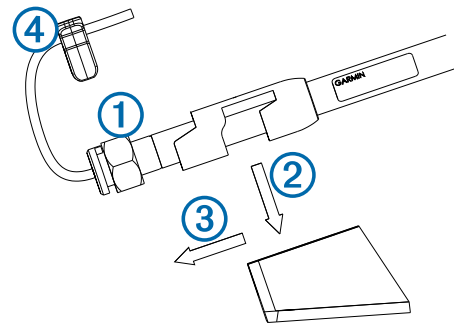
Installation af monteringsbeslaget

- 1 Brug monteringsbeslaget som skabelon, og marker stederne for forboringshullerne.
- 2 Brug et 4,5 mm ($1\frac{1}{64}$ ") borehoved til at bore forboringshullerne.

- 3 Fastgør monteringsbeslaget til overfladen vha. de medfølgende skruer.

Sådan fastgøres enheden i monteringsbeslaget

- 1 Løsn låsemøtrikken ① på enheden ved at dreje den mod uret med hånden, til den ikke kan drejes mere.



- 2 Anbring enheden i monteringsbeslaget ved at skubbe den ned ② og skubbe den bagud, til den stopper ③.
- 3 Fastgør enheden i beslaget ved at dreje låsemøtrikken med uret med hånden, til den ikke kan drejes mere.
- 4 Sæt sikkerhedsklemmen ④ på enheden for at forhindre, at låsemøtrikken løsner sig.

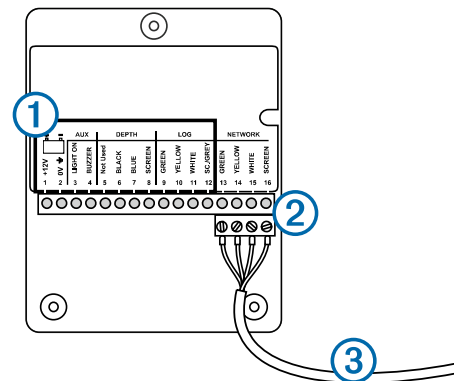
Sådan monteres WSI

Før du monterer WSI, permanent, skal du teste signalstyrken mellem sensoren og modtagerboksen.

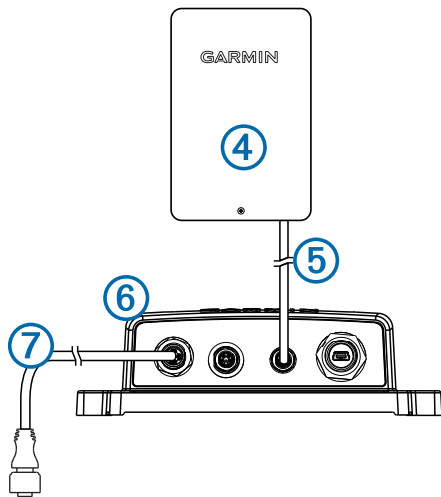
- 1 Fastlæg monteringsstedet.
- 2 Brug enheden som skabelon, og marker placeringen af forboringshullerne på monteringsoverfladen.
- 3 Brug et $1/8$ tommers borehoved til at bore forboringshullerne.
- 4 Brug de medfølgende skruer til at fastgøre enheden til monteringsoverfladen.

Overvejelser ved tilslutning

WSI skal tilsluttes en Garmin GND10 for at kommunikere med NMEA 2000 netværket på båden. Når du tilslutter det medfølgende kabel til WSI og til GND 10, skal du tage højde for nedenstående.



Emne	Beskrivelse
①	Disse terminaler bruges ikke ved tilslutning af denne enhed til en GND 10, da WSI får strøm fra GND 10. Hvis du ønsker at bruge WSI med andre Nexus produkter, skal du se brugervejledningen til Nexus enheden.
②	Dette stik passer kun på én måde. Sæt de rigtige ledningsfarver i de tilhørende terminalblokke, inden du indsætter stikket.
③	Denne kan tilsluttes til en af NEXUS portene på GND 10



Emne	Beskrivelse
④	WSI
⑤	WSI kabel
⑥	GND 10
⑦	NMEA 2000 netværk

Sådan konfigureres transducere

Inden du kan konfigurere transducere, skal den være tilsluttet via en GND 10 til et NMEA 2000 netværk med et Garmin marineinstrument, f.eks. en GMI 20. Se brugervejledningen til marineinstrumentet for at få flere oplysninger om at konfigurere NMEA 2000 enheder.

- 1 På marineinstrumentet skal du gå til NMEA 2000 indstillingerne.
- 2 Vælg enhedens navn (GND 10) for at konfigurere.

Sådan justeres retningen

Du bør justere denne indstilling, hvis sensoren ikke vender præcis mod bådens stævn.

- 1 I NMEA 2000 indstillingerne på marineinstrumentet skal du vælge enhedsnavnet (GND 10).
- 2 Vælg **Vind vinkel forskydning**.
- 3 Vælg vinklen i grader, baseret på den retning, som sensoren vender i forhold til det præcise midtpunkt i bådens stævn, for at justere retningsforskellen.

Vinklen konfigureres i urets retning rundt om bådens mast fra det præcise midtpunkt i bådens stævn. For eksempel er 90 grader styrbord, og 270 grader er bagbord.

- 4 Vælg **Udført**.

Justering af vindvinkelfilteret

Du bør justere denne indstilling for at ændre den følsomhed, hvormed skærmen reagerer på ændringer i vindretningen.

- 1 I NMEA 2000 indstillingerne på marineinstrumentet skal du vælge enhedsnavnet (GND 10).
- 2 Vælg **Vind vinkel filter**.
- 3 Vælg en funktion:
 - Vælg **Fra** for at slå filteret fra og gøre skærmen maksimalt følsom over for ændringer i vindens vinkel.
 - Vælg **Til**, og juster værdien. Vælg et højere tal for at øge den følsomhed, hvormed skærmen reagerer på ændringer i vindens vinkel, eller vælg et lavere tal for at reducere følsomheden.
 - Vælg **Automatisk** for at justere filterindstillingerne automatisk baseret på vindforholdene.

- 4 Vælg **Udført**.

Justering af vindhastighedsfilteret

Du bør justere denne indstilling for at ændre den følsomhed, hvormed skærmen reagerer på ændringer i vindhastigheden.

- 1 I NMEA 2000 indstillingerne på marineinstrumentet skal du vælge enhedsnavnet (GND 10).
- 2 Vælg **Vindhastighedsfilter**.
- 3 Vælg en funktion:
 - Vælg **Fra** for at slå filteret fra og gøre skærmen maksimalt følsom over for ændringer i vindhastigheden.
 - Vælg **Til**, og juster værdien. Vælg et højere tal for at øge den følsomhed, hvormed skærmen reagerer på ændringer i vindhastigheden, eller vælg et lavere tal for at reducere følsomheden.
 - Vælg **Automatisk** for at justere filterindstillingerne automatisk baseret på vindforholdene.
- 4 Vælg **Udført**.

Vedligeholdelse og opbevaring

- Om nødvendigt kan du bruge en mild sæbeopløsning til at rengøre transducere og skylle den med vand. Brug ikke rengøringsmidler eller højtryksrens.
- Det anbefales, at du fjerner transducere og opbevarer den på et tørt sted, hvis den ikke skal bruges i en lang periode.
- Det anbefales, at du fjerner WSI transducere og opbevarer den på et tørt sted, hvis den ikke skal bruges i en lang periode.
- Når transducere opbevares, er det bedst at opbevare den på et sted, hvor den udsættes for lys. Det holder batteriet i enheden opladet.
- Hvis du opbevarer transducere på et mørkt sted, anbefales det, at du udskifter batteriet ved begyndelsen af hver sæson. Du kan købe nye batterier hos din lokale Garmin forhandler eller på www.garmin.com.

Sådan parres transducere med WSI

Inden du kan parre transducere med WSI, skal du have et Garmin marineinstrument som f.eks. en GMI 20 tilsluttet til det samme NMEA 2000 netværk som GND 10.

Denne transducer er parret med WSI fra fabrikken. Du skal kun parre transducere med WSI, hvis du udskifter enheden.

- 1 Fjern batteridækslet på transducere.
- 2 Anbring transducere inden for en radius af 2 m (6 fod) fra WSI, og hold den hvide knap på printpladen nede, indtil LED-indikatoren slukker.
De gamle parringsoplysninger slettes fra transducere.
- 3 I NMEA 2000 indstillingerne på marineinstrumentet skal du vælge 10.GND
- 4 Vælg **Generisk konfiguration**.
- 5 Indtast **"UP"** (som står for u-parret), og vælg **Udført**.
De gamle parringsoplysninger slettes fra WSI.
- 6 Anbring transducere inden for en radius af 2 m (6 fod) fra WSI, tryk på den hvide knap på printpladen uden at holde den nede, og hold øje med LED-indikatoren.
 - Hvis LED-indikatoren blinker to gange og derefter slukker, er parringen fuldført.
 - Hvis LED-indikatoren blinker to gange og derefter blinker én gang til i cirka ét sekund, er parringen mislykket. Flyt enheden tættere på WSI, og gentag dette trin, til parringen lykkes.
- 7 Sæt batteridækslet på igen på transducere.

Specifikationer

Specifikation	Værdi
Mål, når den er monteret (H×L)	345 mm (13,58 tommer) × 610 mm (24 tommer)
Vægt	350 g (12,35 oz.)
Driftstemperatur	Fra -20 til 50°C (-4 til 122°F)
Opbevaringstemperatur	Fra 0 til 35°C (32 til 95°F)
Vandtæthed (transducer)	IEC 60529 IPX-6 (beskyttet mod stærk søgung)
Vandtæthed (WSI)	IEC 60529 IPX-0 (ingen særlig beskyttelse)
Strømforbrug (WSI og GND 10)	1,1 W
Typisk strømforbrug ved 12 VDC (WSI og GND 10)	95 mA
Vindhastighed	Fra 0,9 til 90 knob (fra 0,9 til 50 m/s)

gWind™ Wireless asennusohjeet

Tämä laite toimittaa tuulen nopeus- ja kulmatietoja langattomasti veneen NMEA 2000 verkkoon. Tuulianturi lähettää tietoja langattomaan palvelinkäyttöliittymään (WSI), jonka on muodostettava yhteys Garmin GND 10 laitteeseen tietojen lähettämiseksi NMEA 2000 verkkoon.

Tärkeitä turvallisuustietoja

⚠ VAROITUS

Lue lisätietoja varoituksista ja muista tärkeistä seikoista laitteen mukana toimitetusta Tärkeitä turvallisuus- ja tuotetietoja -oppaasta.

⚠ VAROITUS

Pidä turvalaseja, korvasuojaimia ja hengityssuojusta, kun poraat, sahaat tai hiot osia.

Ole varovainen, kun työskentelet korkealla.

Akkuvaroitukset

⚠ VAROITUS

Jos näitä ohjeita ei noudateta, akun käyttöikä saattaa lyhentyä tai akku saattaa vahingoittaa anturia tai aiheuttaa tulipalon, palovammoja, akkunestevuodon ja/tai vammoja.

- Älä pura, muuta, muokkaa, lävistä tai vahingoita laitetta tai akkuja.
- Älä upota laitetta veteen tai muihin nesteisiin äläkä altista sitä tulelle, räjähdyksille tai muille vaaroille.
- Älä irrota vaihdettavaa akkua terävällä esineellä.
- Säilytä akut poissa lasten ulottuvilta.
- Käytä ainoastaan oikeanlaisia vaihtoakkuja. Muiden akkujen käyttäminen voi aiheuttaa tulipalon tai räjähdyksen. Saat lisätietoja vaihtoakuista Garmin myyjältä tai Garmin sivustosta.
- Älä käytä laitetta, jos lämpötila ei ole välillä -20 - 55 °C (-4 - 131 °F).
- Jos et käytä laitetta pitkään aikaan, säilytä sitä lämpötilassa 0- 35 °C (32 - 95 °F).
- Hävitä laite/akut paikallisten jätehuoltomääräysten mukaisesti.

Laitteen rekisteröiminen

Saat laajempia tukipalveluja rekisteröimällä tuotteen jo tänään.

- Siirry osoitteeseen <http://my.garmin.com>.
- Säilytä alkuperäinen kuitti tai sen kopio turallisessa paikassa.

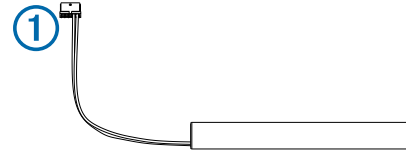
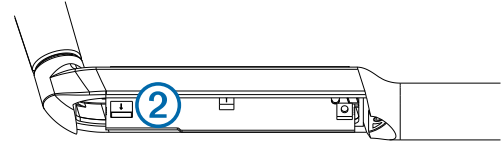
Akun asentaminen

ILMOITUS

Asianmukainen akku toimitetaan laitteen mukana. Laite voi vioittua, jos käytät akkua, jonka toimittaja tai myyjä ei ole Garmin.

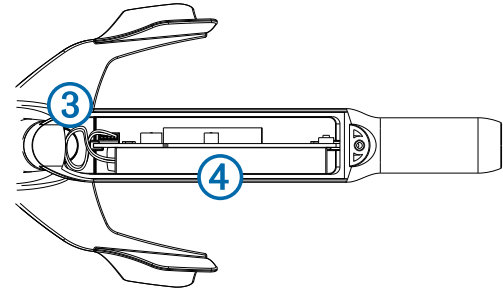
Asenna laitteen mukana toimitettu akku, ennen kuin kiinnität laitteen.

- 1 Avaa laitteen akkulokero ristipääruuvitalalla (nro 2).
- 2 Kiinnitä akun liitin ① laitteen sisäisen levyn liitäntään ②.



Liitin sopii liitäntään vain yksin päin. Liitäntä voi vahingoittua, jos pakotat liittimen siihen.

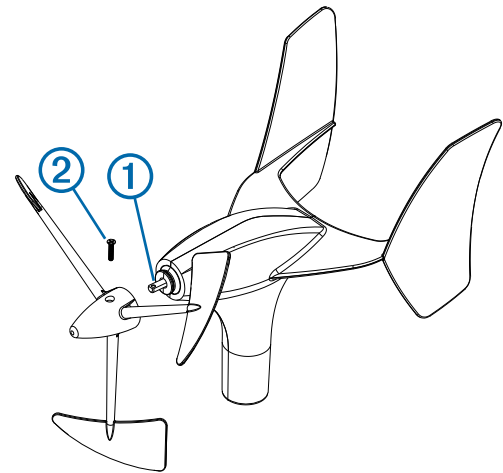
- 3 Ohjaa akun kaapeli laitteen kotelon sisään ③ ja aseta akku levyn alle ④.



- 4 Sulje akkulokero. Varo, että akun johtimet eivät jää kannen väliin.

Potkurin asentaminen

- 1 Varmista, että moottorin tappi ① osuu potkurin aukkoon. Potkurin vastake sopii tappiin vain yhdellä tavalla.

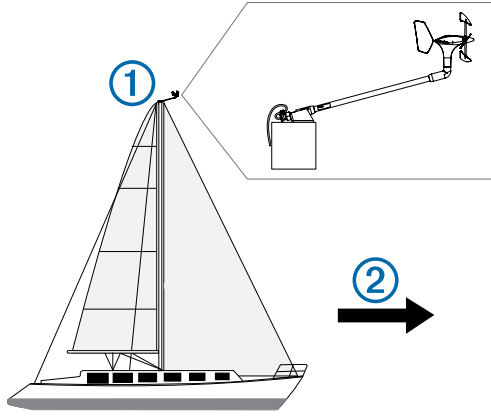


- 2 Paina potkuri kiinni laitteeseen.
- 3 Kiinnitä potkuri tukevasti laitteeseen ruuvilla ②.

Huomioitavaa kiinnitysvaiheessa

Huomioi seuraavat seikat, kun valitset kiinnityspaikkaa tuulianturille.

- Tuulianturi on asennettava vaakasuoraan pintaan mastonhuippuun ①.

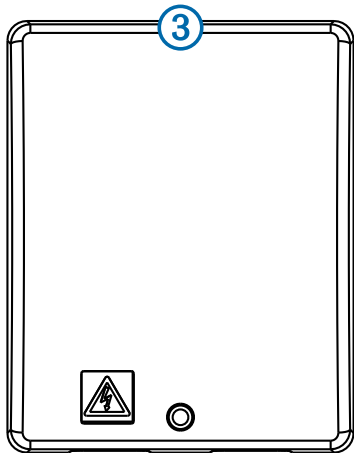


- Jos mastonhuipussa ei ole vaakasuoraa pintaa, lisää sellainen käyttämällä asianmukaista välisosaa.
- Tuulianturi on asennettava veneen etuosaa ② kohti keskiliinjan suuntaisesti.

HUOMAUTUS: jos et asenna laitetta tarkasti veneen etuosaa kohti tai asennat sen veneen takaosaa kohti, määritä tuulen kulman poikkeama näiden asennusohjeiden mukaisesti, jotta saat oikeat tuulen kulmatiedot.

Huomioi seuraavat seikat, kun valitset kiinnityspaikkaa langattomalle palvelinkäyttöliittymälle (WSI).

- Ennen kuin asennat WSI laitteen pysyvästi, testaa tuulianturin ja WSI laitteen välisen signaalin voimakkuus.
- WSI ei ole vesitiivis, ja se on asennettava paikkaan, joka ei altistu roiskeille ja vuodoille eikä uppoa veteen.
- WSI laitteen paras asennuspaikka on veneen sisäpuolella kannen alla, rungon lähellä ja mahdollisimman korkealla.
- Asenna WSI mahdollisimman lähelle tuulianturia.
- Tuulianturin ja WSI laitteen välillä olevat metalliesineet lyhentävät lähetyksmatkaa merkittävästi.
- Antenni on WSI laitteen päällä ③ ja toimii parhaiten osoittaessaan tuulianturia kohti.



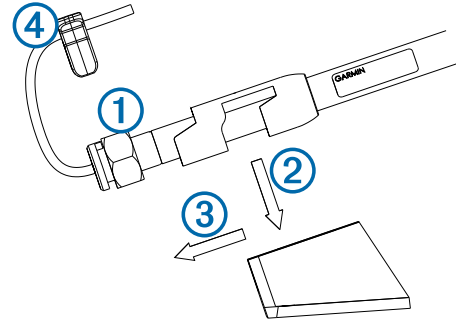
- WSI toimii parhaiten, kun se on asennettu laipioon tuulianturin pylvään suuntaisesti keula-perä-akselille.

Telineen asentaminen

- 1 Merkitse aloitusreikien paikat telineen reikien avulla.
- 2 Poraa aloitusreiät 4,5 mm:n ($1/64$ tuuman) poranterällä.
- 3 Kiinnitä teline pintaan mukana toimitetuilla ruuveilla.

Laitteen kiinnittäminen telineeseen

- 1 Löysää laitteen lukitusmutteri ① kääntämällä sitä käsin vastapäivään niin pitkälle kuin se menee.



- 2 Aseta laite telineeseen painamalla sitä ② ja työntämällä sitä taaksepäin niin pitkälle kuin se menee ③.
- 3 Kiinnitä laite telineeseen kääntämällä lukitusmutteria myötäpäivään niin pitkälle kuin se menee.
- 4 Kiinnitä turvapidike ④ laitteeseen, jotta lukitusmutteri ei löysty.

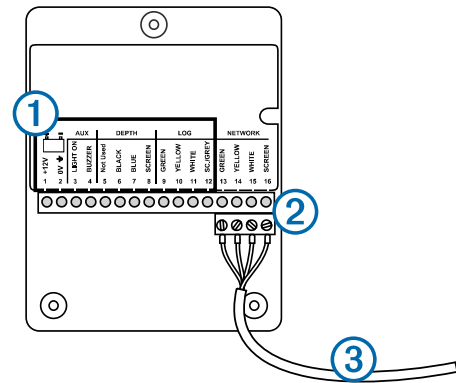
WSI laitteen asentaminen

Ennen kuin asennat WSI laitteen pysyvästi, testaa anturin ja vastaanottimen välisen signaalin voimakkuus.

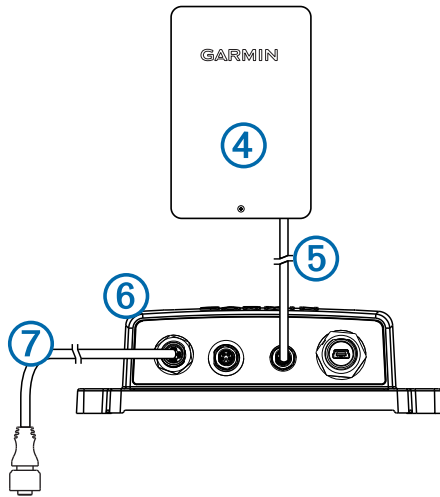
- 1 Määritä kiinnityskohta.
- 2 Merkitse aloitusreikien kohdat kiinnityspintaan käyttäen laitetta mallina.
- 3 Poraa aloitusreiät 3 mm:n ($1/8$ tuuman) poranterällä.
- 4 Käytä mukana toimitettuja ruuveja laitteen kiinnittämiseen.

Huomioitavaa liitännän yhteydessä

WSI laitteen on muodostettava yhteys Garmin GND 10 laitteeseen, jotta se saa yhteyden veneen NMEA 2000 verkkoon. Huomioi seuraavat seikat, kun liität mukana toimitettua kaapelia WSI laitteeseen ja GND 10 laitteeseen.



Kohde	Kuvaus
①	Näitä napoja ei käytetä, kun laite liitetään GND 10 laitteeseen, koska WSI saa virtaa GND 10 laitteesta. Jos haluat käyttää WSI laitetta muiden Nexus tuotteiden kanssa, katso lisätietoja Nexus laitteen käyttöoppaasta.
②	Tämä liittin sopii vain yksin päin. Varmista ennen liittimen asettamista, että johtimien värit vastaavat liittimiä.
③	Tämä liitetään jompaankumpaan NEXUS porttiin GND 10 laitteessa



Kohde	Kuvaus
④	WSI
⑤	WSI kaapeli
⑥	GND 10
⑦	NMEA 2000 verkko

Tuulianturin määrittäminen

Ennen kuin voit määrittää tuulianturin, se on liitettävä GND 10 laitteen kautta NMEA 2000 verkkoon Garmin veneilylaitteella, kuten GMI 20 laitteella. Katso veneilylaitteen käyttöoppaasta lisätietoja NMEA 2000 laitteiden määrittämisestä.

- 1 Avaa veneilylaitteen NMEA 2000 asetukset.
- 2 Valitse määritettävän laitteen nimi (GND 10).

Suunnan säätäminen

Säädä tätä asetusta, jos anturi ei ole suoraan veneen etuosaa kohti.

- 1 Valitse veneilylaitteen NMEA 2000 asetuksista laitteen nimi (GND 10).
- 2 Valitse **Tuulikulman poikkeama**.
- 3 Säädä suunnan poikkeama valitsemalla kulma asteina sen mukaan, mihin suuntaan anturi osoittaa suhteessa veneen etuosan tarkkaan keskikohtaan.

Kulma määritetään myötäpäivään veneen maston ympäri tarkkaan veneen etuosan keskikohdasta. Esimerkiksi 90 astetta on tyyrpuuri ja 270 astetta paapuuri.

- 4 Valitse **Valmis**.

Tuulikulmasuodattimen säätäminen

Säätämällä tätä asetusta voit muuttaa sitä, miten näyttö vastaa tuulen suunnan muutoksiin.

- 1 Valitse veneilylaitteen NMEA 2000 asetuksista laitteen nimi (GND 10).
- 2 Valitse **Tuulikulmasuodatin**.
- 3 Valitse vaihtoehto:
 - Valitsemalla **Ei käytössä** voit poistaa suodattimen käytöstä siten, että näyttö vastaa herkimmin tuulikulman muutoksiin.
 - Valitse **Käytössä** ja muuta arvoa. Mitä suuremman numeron valitset, sitä herkemmin näyttö vastaa tuulikulman muutoksiin ja päinvastoin.
 - Valitsemalla **Automaattinen** voit säätää suodattimen asetukset automaattisesti tuuliolosuhteiden mukaan.

- 4 Valitse **Valmis**.

Tuulen nopeussuodattimen säätäminen

Säätämällä tätä asetusta voit muuttaa sitä, miten näyttö vastaa tuulen nopeuden muutoksiin.

- 1 Valitse veneilylaitteen NMEA 2000 asetuksista laitteen nimi (GND 10).
- 2 Valitse **Tuulen nopeussuodatin**.
- 3 Valitse vaihtoehto:
 - Valitsemalla **Ei käytössä** voit poistaa suodattimen käytöstä siten, että näyttö vastaa herkimmin tuulen nopeuden muutoksiin.
 - Valitse **Käytössä** ja muuta arvoa. Mitä suuremman numeron valitset, sitä herkemmin näyttö vastaa tuulen nopeuden kulman muutoksiin ja päinvastoin.
 - Valitsemalla **Automaattinen** voit säätää suodattimen asetukset automaattisesti tuuliolosuhteiden mukaan.
- 4 Valitse **Valmis**.

Huolto ja säilytys

- Puhdista tuulianturi tarvittaessa miedolla saippuavedellä ja huuhtelee se vedellä. Älä käytä puhdistusaineita tai painepesuria.
- Suosittelemme, että irrotat tuulianturin ja säilytät sitä kuivassa paikassa, jos sitä ei käytetä pitkään aikaan.
- Suosittelemme, että irrotat WSI laitteen ja säilytät sitä kuivassa paikassa, jos sitä ei käytetä pitkään aikaan.
- Tuulianturia kannattaa säilyttää valoisassa paikassa. Tällöin laitteen pariston varaus säilyy.
- Jos tuulianturia säilytetään pimeässä, paristo kannattaa vaihtaa aina kauden alussa. Vaihtoparistoja saat paikalliselta Garmin myyjältä tai osoitteesta www.garmin.com.

Tuulianturin pariliittäminen WSI laitteen kanssa

Ennen kuin voit pariliittää tuulianturin WSI laitteen kanssa, tarvitset Garmin veneilylaitteen, kuten GMI 20 laitteen, joka on yhdistetty samaan NMEA 2000 verkkoon kuin GND 10.

Tämä tuulianturi on pariliitetty WSI laitteen kanssa tehtaalla. Sinun tarvitsee pariliittää tuulianturi WSI laitteen kanssa ainoastaan, jos vaihdat laitetta.

- 1 Irrota tuulianturin paristolokeron kansi.
- 2 Tuo tuulianturi enintään 2 metrin (6 jalan) päähän WSI laitteesta ja paina piirilevyn valkoista painiketta, kunnes merkkivalo sammuu.
Vanhat pariliitostiedot poistetaan tuulianturista.
- 3 Valitse veneilylaitteen NMEA 2000 asetuksista GND 10.
- 4 Valitse **Yleinen määrittys**.
- 5 Valitse **UP** (tämä tarkoittaa pariliitoksen purkamista) ja valitse **Valmis**.
Vanhat pariliitostiedot poistetaan WSI laitteesta.
- 6 Tuo tuulianturi enintään 2 metrin (6 jalan) päähän WSI laitteesta ja paina piirilevyn valkoista painiketta lyhyesti. Tarkkaile merkkivaloa:
 - Kun merkkivalo välähtää kaksi kertaa ja sammuu, pariliitos on onnistunut.
 - Kun merkkivalo välähtää kaksi kertaa ja sen jälkeen vielä kerran noin sekunnin ajan, pariliitos ei onnistunut. Siirrä laitteet lähemmäs WSI laitetta ja toista tätä vaihetta, kunnes pariliitos onnistuu.
- 7 Kiinnitä tuulianturin paristolokeron kansi takaisin.

Tekniset tiedot

Tekniset tiedot	Arvo
Mitat asennettuna (K x P)	345 mm x 610 mm (13,58 x 24 tuumaa)
Paino	350 g (12,35 unssia)
Käyttölämpötila	-20 - 50 °C (-4- 122 °F)
Säilytyslämpötila	0 - 35 °C (32 - 95 °F)
Vesitiiviysluokitus (tuulianturi)	IEC 60529 IPX-6 (suojattu kovalta merenkäynniltä)
Vesitiiviysluokitus (WSI)	IEC 60529 IPX-0 (ei erityissuojausta)
Virrankäyttö (WSI ja GND 10)	1,1 W
Tyypillinen virrankulutus, 12 VDC (WSI ja GND 10)	95 mA
Tuulen nopeusalue	0,9 - 90 solmua (0,9 - 50 m/s)

Installeringsinstruksjoner for gWind™ Wireless

Denne enheten sender trådløs informasjon om vindstyrke og vindvinkel til et NMEA 2000 nettverk på båten Vindsvingeren sender informasjon til et trådløst server-grensesnitt (WSI), som må være koblet til en Garmin GND 10 for å sende data til et NMEA 2000 nettverk.

Viktig sikkerhetsinformasjon

⚠ ADVARSEL

Se veiledningen Viktig sikkerhets- og produktinformasjon i produktesken for å lese advarsler angående produktet og annen viktig informasjon.

⚠ FORSIKTIG

Bruk alltid vernebriller, hørselsvern og støvmaske når du borer, skjærer eller sliper.

Vær forsiktig når du arbeider i høyden.

Batteriadvarsler

⚠ ADVARSEL

Hvis disse retningslinjene ikke overholdes, kan levetiden til batteriet forkortes, eller det kan oppstå fare for skade på enheten, brann, kjemiske brannskår, elektrolyttlekkasje og/eller personskader.

- Ikke demonter, endre, bearbeid, punkter eller ødelegg enheten eller batteriene.
- Ikke senk enheten eller batteriene ned i eller utsett den for vann eller andre væsker, ild, eksplosjoner eller andre farer.
- Ikke ta ut batteriene med en skarp gjenstand.
- Oppbevar batteriene utilgjengelig for barn.
- Batteriene skal bare byttes ut med riktige, tilsvarende batterier. Bruk av andre batterier medfører fare for brann eller eksplosjon. Du kan kjøpe et ekstra batteri hos Garmin forhandleren eller på webområdet for Garmin.
- Ikke bruk enheten utenfor følgende temperaturområde: -20 til 50 °C (-4 til 122 °F).
- Hvis du skal oppbevare enheten over lengre tid, må du oppbevare den innenfor følgende temperaturområde: 0 til 35 °C (32 til 95 °F).
- Kontakt den lokale avfallsstasjonen for å kassere enheten/ batteriene i henhold til lokale lover og regler.

Registrere enheten

Gjør det enklere for oss å hjelpe deg. Registrer deg på Internett i dag.

- Gå til <http://my.garmin.com>.
- Oppbevar den originale kvitteringen, eller en kopi av den, på et trygt sted.

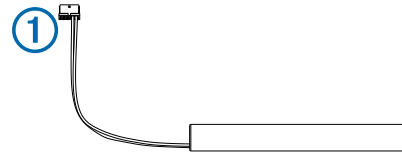
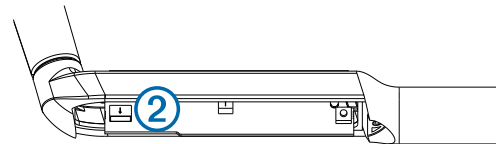
Sette inn batteriet

MERKNAD

Enheden leveres med riktig batteri. Hvis du setter inn et batteri som ikke er levert av eller kjøpt fra Garmin, kan du skade enheten.

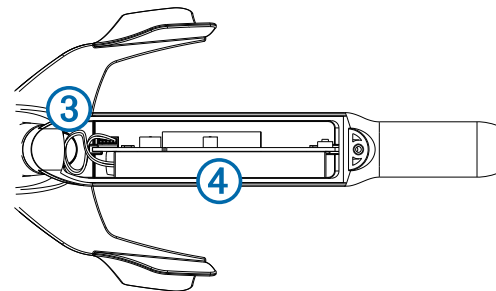
Du må sette inn det medfølgende batteriet før du monterer enheten.

- 1 Åpne batteridekselet på enheten med en stjerneskrutrekker #2.
- 2 Koble kontakten fra batteriet ① til porten på kortet inne i enheten ②.



Kontakten passer bare én vei inn i porten. Hvis du tvinger kontakten inn i porten, kan den bli skadet.

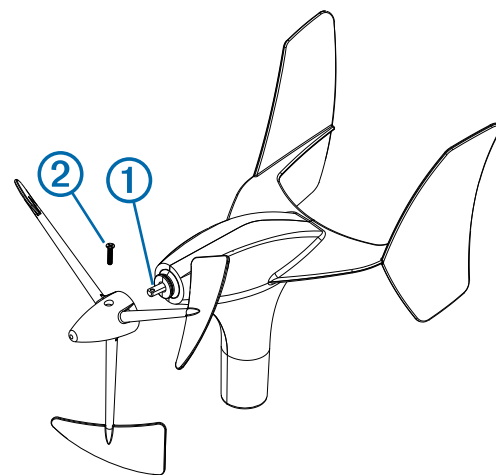
- 3 Før batterikabelen inn i enhetshuset ③, og plasser batteriet under kortet ④.



- 4 Lukk og fest batteridekselet. Pass på at du ikke legger batteriledningene i klem.

Montere propellen

- 1 Sørg for at akselen ① er på linje med sporet på propellen. Festet på propellen passer bare én vei på akselen.

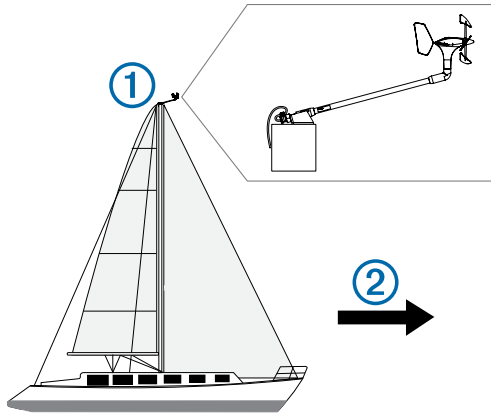


- 2 Press på propellen til den sitter på enheten.
- 3 Monter justeringskruen ② sånn at propellen sitter godt fast på enheten.

Hensyn ved montering

Ta hensyn til det følgende når du skal velge hvor du skal montere vindsvingeren.

- Vindsvingeren bør monteres på en horisontal overflate på mastetoppen ①.

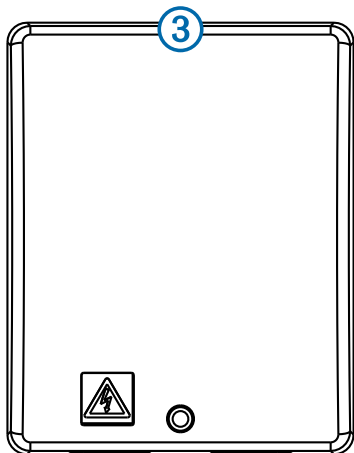


- Hvis det ikke er en horisontal overflate på mastetoppen, må det brukes en underlagsplate til å skape en horisontal overflate.
- Vindsvingeren bør monteres mot baugen, ② parallelt med senterlinjen.

MERK: Hvis du ikke monterer enheten vendt mot baugen, eller monterer den vendt mot akter, må du konfigurere vindvinkelforskyvningen for å motta nøyaktig vindvinkeldata ved å følge anvisningene i denne installeringsinstruksjonen.

Når du skal velge hvor du skal montere det trådløse servergrensesnittet, bør du (WSI) ta hensyn til det følgende.

- Før du monterer WSI permanent, må du teste signalstyrken mellom vindsvingeren og WSI.
- WSIer ikke vanntett og må monteres på et sted hvor den ikke er utsatt for sjøsprøyt og ikke kan komme under vann.
- Det beste stedet for WSI er under dekk, nær skroget, så høyt som mulig i båten.
- Du bør montere WSI så nærme vindsvingeren som mulig.
- Hvis metallobjekter er i banen mellom vindsvingeren og WSI, blir avstanden for overføring kraftig redusert.
- Antennen er på toppen av WSI ③, og fungerer best når den peker mot vindsvingeren.



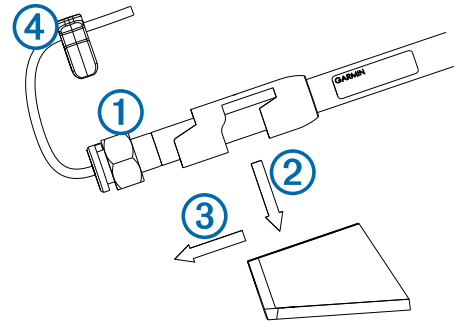
- WSI fungerer best når den er montert på skottet, parallelt med stangen til vindsvingeren, rett forut.

Installere monteringsbraketten

- 1 Bruk monteringsbraketten som en mal og marker plasseringen til de fire styrehullene.
- 2 Bruk en borbits på 4,5 mm ($11/64$ tommer) til å bore styrehullene.
- 3 Fest monteringsbraketten til overflaten ved hjelp av de medfølgende skruene.

Sikre enheten med monteringsbraketten

- 1 Løsne låsemutteren ① på enheten ved å vri den mot klokken for hånd til den stopper.



- 2 Plasser enheten i monteringsbraketten ved å presse den ned ② og skyve den bakover til den stopper ③.
- 3 Feste enheten i braketten ved å vri den med klokken for hånd til den stopper.
- 4 Fest sikkerhetsklemmen ④ på enheten for å hindre at låsemutteren løsner.

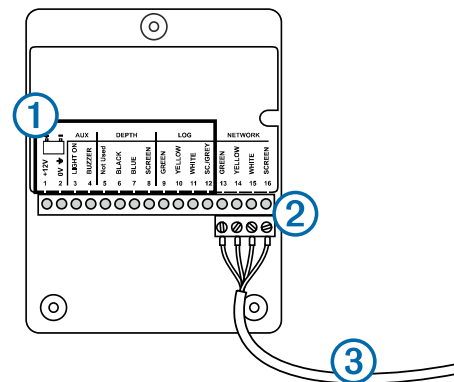
Feste WSI

Før du monterer WSI permanent, må du teste signalstyrken mellom sensoren og mottakerboksen.

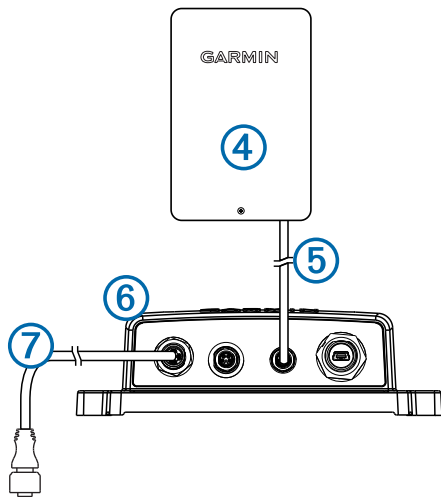
- 1 Velg monteringssted.
- 2 Bruk enheten som mal og marker plasseringen til styrehullene på monteringsoverflaten.
- 3 Bruk en borbits på 3,2 mm ($1/8$ tommer) til å bore styrehullene.
- 4 Bruk de medfølgende skruene til å feste enheten til monteringsoverflaten.

Hensyn ved tilkobling

WSI må kobles til en Garmin GND 10 for å kommunisere med NMEA 2000 nettverket i båten. Ta hensyn til følgende når du kobler den medfølgende kabelen til WSI og til GND 10.



Element	Beskrivelse
①	Disse terminalene brukes ikke når du kobler denne enheten til en GND 10 fordi WSI drives av GND 10. Hvis du vil bruke WSI med andre Nexus produkter, kan du se Nexus enhetens brukerveiledning.
②	Denne kontakten passer bare én vei. Koble ledningene til rekkeklemmene som har samme farge før du setter inn kontakten.
③	Denne kan kobles til hvilken som helst av de to NEXUS portene på GND 10.



Element	Beskrivelse
④	WSI
⑤	WSI kabel
⑥	GND 10
⑦	NMEA 2000 nettverk

Konfigurere vindsvingeren

Før du kan konfigurere vindsvingren, må den kobles gjennom GND 10 til et NMEA 2000 nettverk med et Garmin maritimt instrument, for eksempel GMI 20. Se brukerveiledningen til det maritime instrumentet for å få mer informasjon om hvordan du konfigurerer NMEA 2000 enheter.

- 1 Gå til NMEA 2000 innstillinger på det maritime instrumentet.
- 2 Velg navnet på enheten (GND 10) for å konfigurere.

Justere retningen

Du bør justere denne innstillingen hvis sensoren ikke er vendt rett mot baugen på båten.

- 1 På NMEA 2000 innstillinger på det maritime instrumentet velger du navnet på enheten (GND 10).
- 2 Velg **Vindvinkelforskyvning**.
- 3 Angi vinkelen som oppveier for retningsavviket i grader basert på retningen til sensoren i forhold til midten av baugen.

Vinkelen er konfigurert med klokken rundt masten på båten, fra helt midt på baugen. Eksempel: 90 grader er styrbord og 270 grader er babord.

- 4 Velg **Ferdig**.

Justere vindvinkelfilteret

Du bør justere denne innstillingen for å endre responsen til skjermen når det gjelder endringer i vindretning.

- 1 På NMEA 2000 innstillinger på det maritime instrumentet velger du navnet på enheten (GND 10).
- 2 Velg **Vindvinkelfilter**.
- 3 Velg et alternativ:
 - Velg **Av** for å slå av filteret og gjøre skjermen maksimalt responsiv overfor endringer i vindvinkelen.
 - Velg **På**, og endre verdien. Velg et høyere tall for å øke responsen til skjermen når det gjelder endringer i vindvinkelen, eller velg et lavere tall for å redusere responsen.
 - Velg **Automatisk** for å justere filterinnstillingene automatisk ut fra vindforholdene.
- 4 Velg **Ferdig**.

Konfigurere vindstyrkefilter

Du bør justere denne innstillingen for å endre responsen til skjermen når det gjelder endringer i vindstyrke

- 1 På NMEA 2000 innstillinger på det maritime instrumentet velger du navnet på enheten (GND 10).
- 2 Velg **Vindstyrkefilter**.
- 3 Velg et alternativ:
 - Velg **Av** for å slå av filteret og gjøre skjermen maksimalt responsiv overfor endringer i vindstyrken.
 - Velg **På**, og endre verdien. Velg et høyere tall for å øke responsen til skjermen når det gjelder endringer i vindstyrke, eller velg et lavere tall for å redusere responsen.
 - Velg **Automatisk** for å justere filteret automatisk i forhold til vindforholdene.
- 4 Velg **Ferdig**.

Vedlikehold og oppbevaring

- Hvis det er nødvendig, kan du bruke mildt såpevann til å rengjøre vindsvingeren og så skylle den med vann. Ikke bruk vaskemidler eller vann med høyt trykk.
- Det anbefales å fjerne vindsvingeren og oppbevare den på en tørt sted hvis den ikke brukes i et lengre tidsrom.
- Det anbefales å fjerne WSI og oppbevare den på en tørt sted hvis den ikke brukes i et lengre tidsrom.
- Når du oppbevarer vindsvingeren er det best å oppbevare den på et sted den utsettes for lys. Dette opprettholder batteristrømmen i enheten.
- Hvis du oppbevarer vindsvingeren på et mørkt sted anbefales det å bytte ut batteriet på starten av hver sesong. Utbyttable batterier er tilgjengelige fra den lokale Garmin forhandleren eller fra www.garmin.com.

Pare vindsvingeren med WSI

Før du kan pare vindsvingeren med WSI, må du ha et Garmin maritimt instrument som for eksempel en GMI 20 koblet til samme NMEA 2000 nettverk som GND 10.

Denne vindsvingeren er parett med WSI på fabrikken. Du trenger kun å pare vindsvingeren med WSI hvis du bytter ut enheten.

- 1 Fjern batteridekselet på vindsvingeren.
- 2 Ha vindsvingeren innenfor en radius på 2 m (6 fot) fra WSI, og hold inne den hvite knappen på kretskortbryteren til LED-lampen slår seg av.
Den gamle paringsinformasjonen fjernes fra vindsvingeren.
- 3 På NMEA 2000 innstillinger på det maritime instrumentet velger du GND 10.
- 4 Velg **Generell konfigurasjon**.
- 5 Angi **UP** (dette står for "un-pair" (fjern parkobling)), og velg **Ferdig**.
Den gamle paringsinformasjonen fjernes fra WSI.
- 6 Ha vindsvingeren innenfor en radius på 2 m (6 fot) fra WSI, trykk, men ikke hold inne, den hvite knappen på kretskortbryteren, og se på LED-lampen:
 - Når LED-lampen blinker to ganger, og så skrur seg av, er paringen vellykket.
 - Når LED-lampen blinker to ganger, og så blinker igjen i rundt ett sekund, var ikke paringen vellykket. Flytt enheten nærmere WSI og gjenta dette til paringen er vellykket.
- 7 Fjern batteridekselet på vindsvingeren.

Spesifikasjoner

Spesifikasjon	Verdi
Mål etter montering (H × L)	345 mm (13,58 tommer) × 610 mm (24 tommer)
Vekt	350 g (12,35 oz)
Driftstemperatur	Fra -20 til 50 °C (-4 til 122 °F)
Oppbevaringstemperatur	Fra 0 til 35 °C (32 til 95 °F)
Vannbestandig (vindsvinger)	IEC 60529 IPX-6 (beskyttet mot tung sjø)
Vannbestandig (WSI)	IEC 60529 IPX-0 (ingen spesiell beskyttelse)
Strømforbruk (WSI og GND 10)	1,1 W
Vanlig strømforbruk på (WSI og GND 10)	95 mA
Vindstyrkeområde	Fra 0,9 til 90 knop (fra 0,9 til 50 m/s)

gWind™ Wireless Installationsinstruktioner

Den här enheten ger information om vindhastighet och vindvinkel till ett NMEA 2000 nätverk på din båt. Vindgivaren sänder information till den trådlösa mottagaren, WSI-boxen (WSI), som måste anslutas till en Garmin GND 10 för att skicka data till ett NMEA 2000 nätverk.

Viktig säkerhetsinformation

⚠ VARNING

I guiden Viktig säkerhets- och produktinformation, som medföljer i produktförpackningen, finns viktig information och produktvarningar.

⚠ VARNING

Använd alltid skyddsglasögon, hörselskydd och andningsskydd när du borrar, skär eller slipar.

Var försiktig när du arbetar högt upp.

Batterivarningar

⚠ VARNING

Om dessa riktlinjer inte följs kan batteriernas livslängd förkortas eller så kan de orsaka skada på enheten, brand, kemisk brännskada, elektrolytläckage och/eller personskada.

- Du får inte ta isär, ändra, punktera eller skada enheten eller batterierna.
- Du får inte sänka ned enheten eller batterierna i vatten eller utsätta dem för vatten eller andra vätskor, brand, explosion eller annan fara.
- Använd inte vassa föremål när du tar ut batterier.
- Håll batterierna utom räckhåll för barn.
- Vid byte ska batterierna ersättas med rätt sorts batterier. Om du använder andra batterier finns risk för brand eller explosion. Hos din Garmin återförsäljare eller på Garmin webbplatsen finns information om var du köper ett ersättningsbatteri.
- Enheten ska inte användas utanför temperaturintervallet -20 till 50 °C (-4 till 122 °F).
- När enheten förvaras under längre tid bör temperaturen vara mellan 0 och 35 °C (mellan 32 och 95 °F).
- Kontakta lokala avfallsmyndigheter för information om var du kan kasta enheten/batterierna i enlighet med lokala lagar och bestämmelser.

Registrera enheten

Hjälp oss att hjälpa dig på ett bättre sätt genom att fylla i vår onlineregistrering redan i dag.

- Gå till <http://my.garmin.com>.
- Spara inköpskvittot, i original eller kopia, på ett säkert ställe.

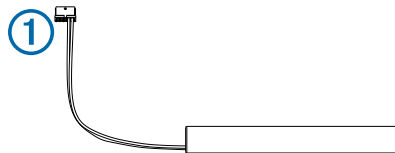
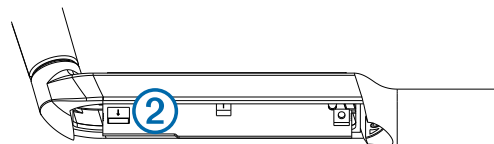
Montera batteriet

MEDDELANDE

Rätt batteri medföljer den här enheten. Installerar du ett batteri som inte tillhandahålls av eller har köpts från Garmin kan det skada enheten.

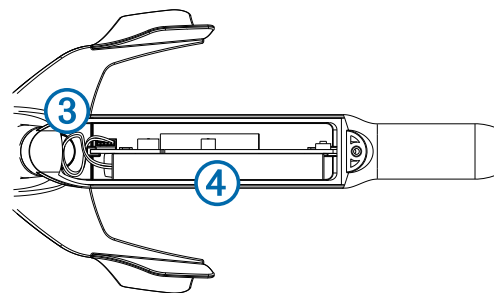
Innan du monterar enheten måste du installera det medföljande batteriet.

- 1 Öppna enhetens batterilucka med hjälp av en stjärnmejsel nr 2.
- 2 Sätt i kontakten från batteriet ① i porten på panelen inne i enheten ②.



Kontakten kan endast sättas i på ett sätt i porten. Porten kan skadas om du tvingar in kontakten.

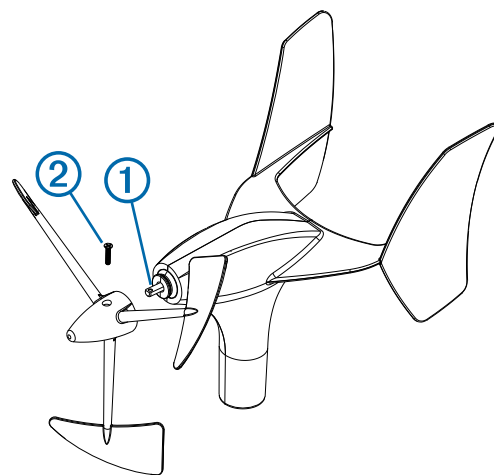
- 3 Dra batterikabeln inuti enheten ③ och placera batteriet under panelen ④.



- 4 Undvik att klämma batterisladdarna när du stänger och fäster batteriluckan.

Installera propellern

- 1 Se till att axeln ① är i korrekt linje med spåret på propellern. Fästet på propellern passar bara på ett sätt på axeln.

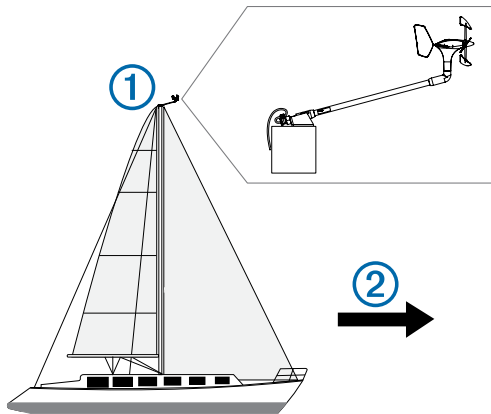


- 2 Tryck på propellern tills den sitter på enheten.
- 3 Installera fästskruven ② för att hålla fast propellern ordentligt på enheten.

Viktigt vid montering

Tänk på följande när du väljer monteringsplats för vindgivaren.

- Vindgivaren ska monteras på en horisontell yta i masttoppen ①.

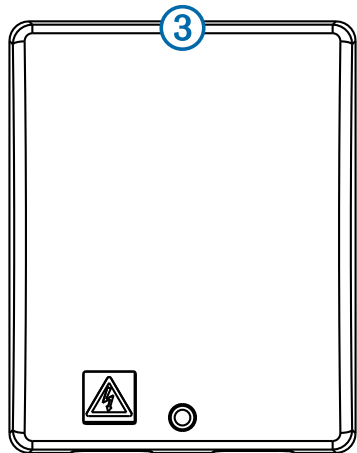


- Om det inte finns någon horisontell yta i masttoppen måste ett lämpligt mellanlägg läggas till för att skapa en plan yta.
- Vindgivaren ska installeras vänd framåt i båten ②, parallellt med centerlinjen.

OBS! Om du inte monterar enheten så att den är vänd rakt framåt eller monterar den vänd bakåt i båten, måste du konfigurera vindvinkelriktningen för att få exakta vindvinkeldata genom att följa anvisningarna i de här installationsinstruktionerna.

Tänk på följande när du väljer monteringsplats för det trådlösa servergränssnittet (WSI).

- Innan du monterar WSI permanent måste du testa signalstyrkan mellan vindgivaren och WSI.
- WSI är inte vattentålig och måste installeras på en plats som inte utsätts för stänk, översköljning eller hamnar under vatten.
- Den bästa placeringen för WSI är under däck, nära skrovet, så högt som möjligt på båten.
- Du bör installera WSI så nära vindgivaren som möjligt.
- Metallföremål i vägen för vindgivaren och WSI minskar räckvidden avsevärt.
- Antennen sitter på ovansidan av WSI ③ och fungerar bäst när den pekar mot vindgivaren.



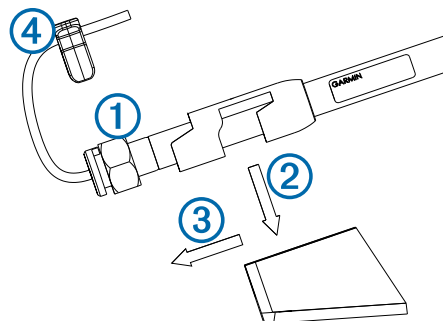
- WSI fungerar bäst när den installeras på ett spant parallellt med vindgivarens stolpe, i riktning från för till akter.

Installera monteringsfästet

- 1 Med monteringsfästet som mall markerar du platserna för monteringshål.
- 2 Använd ett 4,5 mm borr ($11/64$ tum) och borra rikthålen.
- 3 Montera fästet på ytan med de medföljande skruvarna.

Skruva fast enheten i monteringsfästet

- 1 Lossa låsmuttern ① på enheten genom att vrida den moturs för hand tills det tar stopp.



- 2 Placera enheten i monteringsfästet genom att trycka ner den ② och skjuta den bakåt tills det tar stopp ③.
- 3 Fäst enheten i fästet genom att vrida låsmuttern medurs för hand tills det tar stopp.
- 4 Fäst säkerhetsfästet ④ i enheten för att förhindra att låsmuttern lossnar.

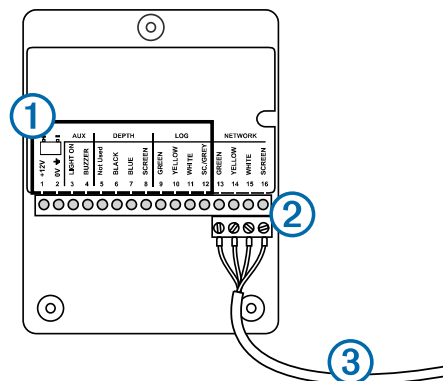
Montera WSI

Innan du monterar WSI permanent måste du testa signalstyrkan mellan sensorn och mottagaren.

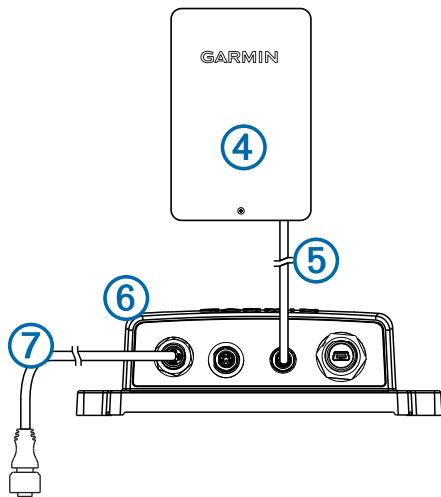
- 1 Bestäm monteringsplats.
- 2 Markera platsen för rikthålet på monteringsytan genom att använda enheten som mall.
- 3 Använd ett 3,2 mm borr $1/8$ tum och borra de tre monteringshål.
- 4 Använd de medföljande monteringskruvarna för att fästa enheten på monteringsytan.

Att tänka på vid anslutning

WSI måste ansluta till en Garmin GND 10 för att kommunicera med NMEA 2000 nätverket på båten. När den medföljande kabeln ansluts till WSI och till GND 10 måste du vara uppmärksam på detta.



Objekt	Beskrivning
①	De här kontaktarna används inte när du ansluter den här enheten till en GND 10, eftersom WSI drivs av GND 10. Om du vill använda WSI med andra Nexus produkter, se Nexus enhetens användarhandbok.
②	Den här kopplingen passar bara på ett sätt. Matcha ledningsfärgerna med kopplingsplintarna innan du sätter i kontakten.
③	Den här ansluter till någon av NEXUS portarna på GND 10



Objekt	Beskrivning
④	WSI
⑤	WSI kabel
⑥	GND 10
⑦	NMEA 2000 nätverk

Konfigurera vindgivaren

Innan du kan konfigurera vindgivaren måste den vara ansluten via en GND 10 till ett NMEA 2000 nätverk med ett Garmin marininstrument, som en GMI 20. Mer information om hur du konfigurerar NMEA 2000 enheter hittar du i marininstrumentets användarhandbok.

- 1 På marininstrumentet går du till NMEA 2000 inställningarna.
- 2 Välj namn på den enhet (GND 10) som ska konfigureras.

Justera riktningen

Du bör justera den här inställningen om sensorn inte är exakt riktad framåt i båten.

- 1 På marininstrumentet går du till NMEA 2000 inställningarna och väljer enhetsnamnet (GND 10).
- 2 Välj **Vindvinkelkompensation**.
- 3 Beroende på vilken riktning sensorn har i förhållande till båtens exakta mitt i fören, väljer du vinkel i grader för att justera skillnaden i riktningen.

Vinkeln konfigureras medurs runt båtens mast, från den exakta mitten i fören på båten. Exempel: 90 grader är styrbord och 270 grader är babord.

- 4 Välj **Klar**.

Justera vindvinkelfiltret

Du bör justera den här inställningen för att ändra svarshastigheten för skärmen efter ändringar i vindriktningen.

- 1 På marininstrumentet går du till NMEA 2000 inställningarna och väljer enhetsnamnet (GND 10).
- 2 Välj **Vindvinkelfilter**.
- 3 Välj ett alternativ:
 - Välj **Av** för att slå av filtret så att skärmen blir känsligare för ändringar i vindvinkeln.
 - Välj **På** och justera värdet. Välj en högre siffra för att öka känsligheten för hur skärmen svarar på ändringar av vindvinkeln eller välj en lägre siffra för att minska känsligheten.
 - Välj **Auto** för att automatiskt justera filterinställningarna baserat på vindförhållanden.

- 4 Välj **Klar**.

Justera vindhastighetsfiltret

Du bör justera den här inställningen för att ändra svarshastigheten för skärmen efter ändringar i vindhastigheten.

- 1 På marininstrumentet går du till NMEA 2000 inställningarna och väljer enhetsnamnet (GND 10).
- 2 Välj **Vindhastighetsfilter**.
- 3 Välj ett alternativ:
 - Välj **Av** för att slå av filtret så att skärmen blir känsligare för ändringar i vindhastigheten.
 - Välj **På** och justera värdet. Välj en högre siffra för att öka känsligheten för hur skärmen svarar på ändringar av vindhastigheten eller välj en lägre siffra för att minska känsligheten.
 - Välj **Auto** för att automatiskt justera filterinställningarna baserat på vindförhållanden.
- 4 Välj **Klar**.

Underhåll och förvaring

- Om det behövs använder du en mild tvållösning för att rengöra vindgivaren och sköljer med vatten. Använd inte rengöringsmedel eller högtryckstvätt.
- Vi rekommenderar att du tar bort vindgivaren och förvarar den på en torr plats om den inte ska användas under längre perioder.
- Vi rekommenderar att du tar bort WSI och förvarar den på en torr plats om den inte ska användas under längre perioder.
- Det är bäst att förvara vindgivaren på en plats där den exponeras för ljus. På så sätt bibehålls laddningen i enheten.
- Om du förvarar vindgivaren på en mörk plats rekommenderar vi att du byter batteri i början av varje säsong. Utbytesbatterier finns hos din lokala Garmin återförsäljare eller på www.garmin.com.

Para ihop vindgivaren med WSI

Innan du kan para ihop vindgivaren med WSI måste du ha ett Garmin marininstrument, som en GMI 20 ansluten till samma NMEA 2000 nätverk som GND 10.

Den här vindgivaren är ihopparad med WSI från fabriken. Du behöver bara para ihop vindgivaren med WSI om du byter ut enheten.

- 1 Ta bort batterilocket på vindgivaren.
- 2 Se till att vindgivaren är inom 2 m (6 fot) från WSI och håll ned den vita knappen på kretskortet tills lysdioden släcks. Den gamla ihopparningsinformationen rensas från vindgivaren.
- 3 På marininstrumentet går du till NMEA 2000 inställningarna och väljer GND 10.
- 4 Välj **Allmän konfiguration**.
- 5 Skriv **"UP"** (vilket står för "avsluta ihopparring"), och välj **Klar**. Den gamla ihopparningsinformationen rensas från WSI.
- 6 Se till att vindgivaren är inom 2 m (6 fot) från WSI och tryck, men håll inte ned den vita knappen på kretskortet och observera lysdioden:
 - När lysdioden blinkar två gånger och sedan släcks har ihopparringen lyckats.
 - När lysdioden blinkar två gånger och sedan blinkar en gång till i ungefär en sekund, misslyckades ihopparringen. Flytta enheten närmare WSI och upprepa det här steget tills ihopparringen är klar.
- 7 Sätt tillbaka batterilocket på vindgivaren.

Specifikationer

Specifikation	Värde
Mått när den är monterad (H × L)	345 mm (13,58 tum) × 610 mm (24 tum)
Vikt	350 g (12,35 ounce)
Drifttemperatur	Från -20 till 50 °C (-4 till 122 °F)
Förvaringstemperatur	Från 0 till 35 °C (32 till 95 °F)
Vattentålighetsklassning (vindgivare)	IEC 60529 IPX-6 (skyddad mot kraftig sjö)
Vattentålighetsklassning (WSI)	IEC 60529 IPX-0 (inga särskilt skydd)
Strömförbrukning (WSI och GND 10)	1,1 W
Normal strömförbrukning vid 12 V DC (WSI och GND 10)	95 mA
Vindstyrkeintervall	Från 0,9 till 50 m/s (från 0,9 till 90 knop)

Instrukcja instalacji urządzenia gWind™ Wireless

Urządzenie przekazuje bezprzewodowo informacje o prędkości i kącie wiatru do sieci NMEA 2000 na łodzi. Przetwornik wiatru przesyła informacje do skrzynki Wireless Server Interface (WSI), który musi być podłączony do urządzenia Garmin GND 10, aby przesyłać dane do sieci NMEA 2000.

Ważne informacje dotyczące bezpieczeństwa

⚠ OSTRZEŻENIE

Należy zapoznać się z zamieszczonym w opakowaniu produktu przewodnikiem Ważne informacje dotyczące bezpieczeństwa i produktu zawierającym ostrzeżenia i wiele istotnych wskazówek.

⚠ PRZESTROGA

Podczas wiercenia, cięcia lub szlifowania należy zawsze nosić okulary ochronne, ochronniki słuchu i maskę przeciwpyłową. Należy zachować ostrożność podczas pracy na wysokości.

Ostrzeżenia dotyczące baterii

⚠ OSTRZEŻENIE

Nieprzestrzeganie poniższych zaleceń może doprowadzić do skrócenia czasu sprawnego działania baterii, a nawet grozić uszkodzeniem urządzenia, pożarem, oparzeniem substancjami chemicznymi, wyciekami elektrolitu i/lub zranieniem.

- Nie wolno rozbierać urządzenia ani baterii na części, modyfikować, odnawiać, przedziurawiać ani w jakikolwiek inny sposób naruszać integralności ich obudowy.
- Urządzenie i baterie należy chronić przed kontaktem i zanurzeniem w wodzie i innych płynach, a także chronić przed ogniem, wybuchami i innymi zagrożeniami.
- Nie należy używać ostro zakończonych przedmiotów do wyjmowania baterii.
- Baterie należy przechowywać w miejscu niedostępnym dla dzieci.
- Baterię oryginalną można zastąpić wyłącznie baterią zamienną odpowiedniego typu. Użycie innej baterii wiąże się z niebezpieczeństwem pożaru bądź eksplozji. Odpowiednią baterię zamienną można nabyć u dealera Garmin, a także na stronie internetowej Garmin.
- Urządzenia nie wolno używać w temperaturze wykraczającej poza zakres od -20°C do 50°C (do -4°F do 122°F).
- Jeśli urządzenie nie będzie używane przez dłuższy czas, należy je przechowywać w temperaturze od 0°C do 35°C (od 32°F do 95°F).
- Zużyte urządzenie/baterię nienadającą się do dalszego użytku należy przekazać do punktu utylizacji i powtórnego przetwarzania odpadów zgodnie z prawem i przepisami obowiązującymi na danym obszarze.

Rejestrowanie urządzenia

Pomóż nam jeszcze sprawniej udzielać Tobie pomocy i jak najszybciej zarejestruj swoje urządzenie przez Internet.

- Odwiedź stronę <http://my.garmin.com>.
- Pamiętaj o konieczności zachowania oryginalnego dowodu zakupu (względnie jego kserokopii) i umieszczenia go w bezpiecznym miejscu.

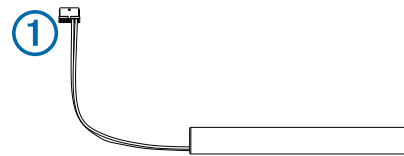
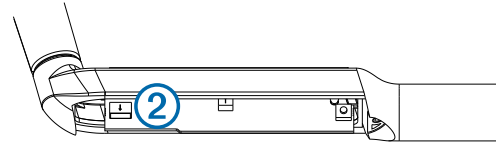
Instalowanie baterii

UWAGA

Wraz z urządzeniem dostarczana jest odpowiednia bateria. Zamontowanie baterii nie dostarczonej lub nie zakupionej na Garmin może spowodować uszkodzenie urządzenia.

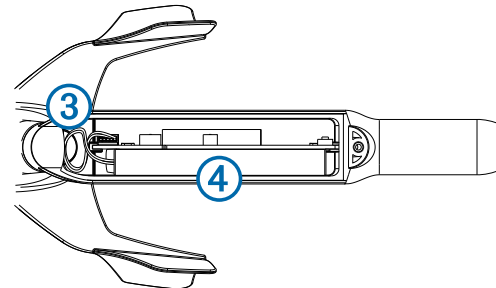
Przed zamontowaniem urządzenia należy zainstalować w nim dołączoną baterię.

- 1 Korzystając ze śrubokręta krzyżakowego #2 otwórz pokrywę baterii w urządzeniu.
- 2 Włóż złącze baterii ① do portu na płycie wewnątrz urządzenia ②.



Złącze można włożyć do portu tylko w jeden sposób. Próba włożenia złącza do portu na siłę może się skończyć jego uszkodzeniem.

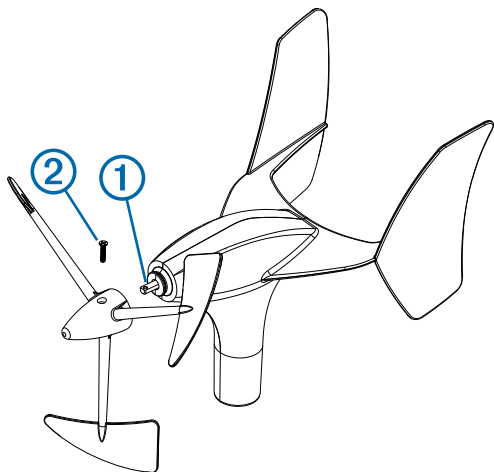
- 3 Poprowadź przewód baterii wewnątrz obudowy urządzenia ③ i umieść baterię pod płytką ④.



- 4 Starając się nie przytrzasnąć przewodów baterii, zamknij i dokręć pokrywę baterii.

Instalowanie śmigła

- 1 Upewnij się, że wał ① jest wyrównany z otworem w śmigle. Gniazdo w śmigle można założyć na wał tylko w jeden sposób.

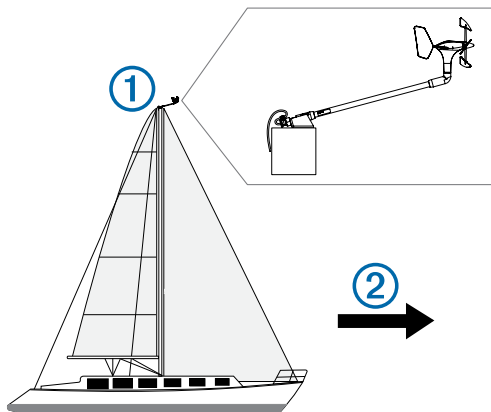


- 2 Dociśnij śmigło, aż osiadzie na urządzeniu.
- 3 Włóż i dokręć śrubę ②, aby dobrze przymocować śmigło do urządzenia.

Uwagi dotyczące montażu

Przy wybieraniu miejsca montażu przetwornika wiatru należy zwrócić uwagę na następujące kwestie.

- Przetwornik wiatru należy zamontować na poziomej powierzchni na topie masztu ①.



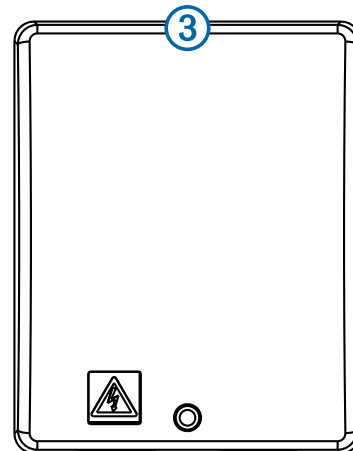
- Jeśli na topie masztu nie ma poziomej powierzchni, należy zamontować właściwą podkładkę w celu utworzenia poziomej powierzchni.
- Przetwornik wiatru powinien być zwrócony w kierunku przodu łodzi ②, równoległe do konstrukcyjnej linii wody łodzi.

UWAGA: Jeśli zamontowane urządzenie nie będzie zwrócone dokładnie w kierunku przodu łodzi lub będzie ono zwrócone w kierunku tyłu łodzi, musisz skonfigurować kompensację kąta wiatru, aby otrzymać dokładne dane na temat. W tym celu wykonaj instrukcje opisane w niniejszej instrukcji instalacji.

Przy wybieraniu miejsca montażu skrzynki Wireless Server Interface (WSI) należy zwrócić uwagę na następujące kwestie.

- Przed zamontowaniem urządzenia WSI na stałe należy sprawdzić moc sygnału między przetwornikiem wiatru a urządzeniem WSI.
- Urządzenie WSI nie jest wodoszczelne i musi być zainstalowane w miejscu, w którym nie będzie narażone na ochłapanie, zalanie lub zanurzenie w wodzie.
- Najlepsze miejsce na urządzenie WSI znajduje się w możliwie najwyższym punkcie pod pokładem, w pobliżu kadłuba łodzi.

- Urządzenie WSI należy zainstalować jak najbliżej przetwornika wiatru.
- Metalowe przedmioty na osi przetwornika wiatru i urządzenia WSI znacznie zmniejszają zasięg transmisji.
- Antena znajduje się na górze urządzenia WSI ③ i najlepiej działa, gdy jest zwrócona w kierunku przetwornika wiatru.



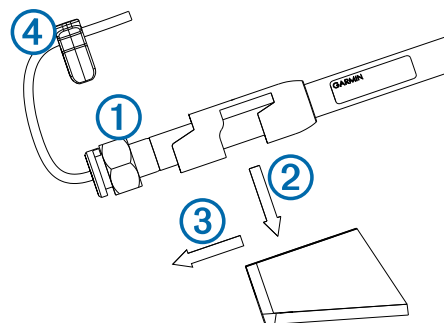
- Urządzenie WSI działa najlepiej, gdy jest zainstalowane w grodzi równoległe do uchwytu przetwornika wiatru oraz na linii dziób-rufa.

Instalacja uchwytu montażowego

- 1 Używając uchwytu montażowego jako szablonu, zaznacz położenie otworów prowadzących.
- 2 Używając wiertła o średnicy 4,5 mm ($11/64$ cala), wywierć otwory prowadzące.
- 3 Przycumuj uchwyt montażowy do powierzchni za pomocą dołączonych wkrętów.

Mocowanie urządzenia w uchwycie montażowym

- 1 Poluzuj nakrętkę zabezpieczającą ① na urządzeniu, obracając ją palcami w lewo, aż przestanie się kręcić.



- 2 Umieść urządzenie w uchwycie montażowym, dociskając je ② i przesuwając do oporu ③.
- 3 Zamocuj urządzenie w uchwycie, obracając je ręką w lewo aż do oporu.
- 4 Załóż zacisk zabezpieczający ④ na urządzenie, aby zapobiec poluzowaniu się nakrętki zabezpieczającej.

Montowanie urządzenia WSI

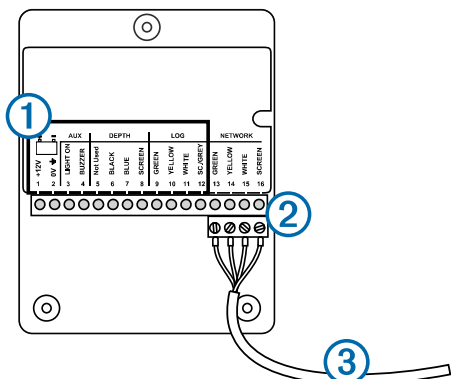
Przed zamocowaniem urządzenia WSI na stałe należy sprawdzić moc sygnału pomiędzy czujnikiem i skrzynką odbiorczą.

- 1 Określ miejsce montażu.

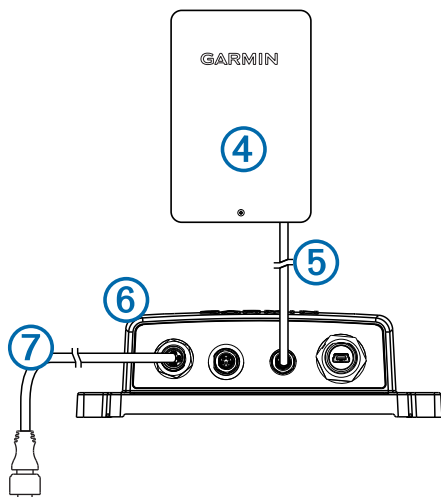
- 2 Używając urządzenia jako szablonu, zaznacz na powierzchni montażowej położenie otworu prowadzącego.
- 3 Używając wiertła o średnicy $\frac{1}{8}$ cala, wywierć otwory prowadzące.
- 4 Użyj dołączonych wkrętów, aby zamocować urządzenie do powierzchni montażowej.

Uwagi dotyczące podłączenia

Urządzenie WSI musi być podłączone do urządzenia Garmin GND 10, aby komunikować się z siecią NMEA 2000 na łodzi. Podczas podłączania dołączonego przewodu do urządzenia WSI oraz GND 10, należy uwzględnić następujące kwestie.



Element	Opis
①	Te zaciski nie są używane podczas podłączania tego urządzenia do urządzenia GND 10, ponieważ urządzenie WSI jest zasilane przez GND 10. Jeśli chcesz używać urządzenia WSI z innymi produktami Nexus, zapoznaj się z podręcznikiem użytkownika urządzenia Nexus.
②	To złącze można podłączyć tylko w jeden sposób. Podłącz we właściwy sposób kolorowe przewody do zespołu listew zaciskowych przed włożeniem złącza.
③	To można podłączyć do dowolnego portu NEXUS w urządzeniu GND 10



Element	Opis
④	WSI
⑤	Przewód WSI
⑥	GND 10
⑦	Sieć NMEA 2000

Konfigurowanie przetwornika wiatru

Przed konfiguracją przetwornika wiatru należy go podłączyć za pośrednictwem urządzenia GND 10 do sieci NMEA 2000 z instrumentami morskimi Garmin, takimi jak GMI 20. Więcej

informacji na temat konfigurowania urządzenia NMEA 2000 znajduje się w podręczniku użytkownika instrumentu morskigo.

- 1 W instrumencie morskim przejdź do ustawień NMEA 2000.
- 2 Wybierz nazwę urządzenia (GND 10), które chcesz skonfigurować.

Regulowanie orientacji

Należy wyregulować to ustawienie, jeśli czujnik nie jest skierowany dokładnie w kierunku przodu łodzi.

- 1 W instrumencie morskim w ustawieniach NMEA 2000 wybierz nazwę urządzenia (GND 10).
- 2 Wybierz **Przesunięcie kąta wiatru**.
- 3 W zależności od kierunku, w którym jest zwrócony czujnik w stosunku do dokładnego środka przodu łodzi, wybierz kąt w stopniach, aby skompensować różnicę w orientacji. Kąt jest konfigurowany w prawo, wokół masztu łodzi, dokładnie od środka przodu łodzi. Na przykład 90 stopni, oznacza prawą burtę, a 270 stopni oznacza lewą burtę.

- 4 Wybierz **Gotowe**.

Regulowanie filtra kąta wiatru

Należy wyregulować to ustawienie, aby zmienić czułość reakcji wyświetlacza na zmiany kierunku wiatru.

- 1 W instrumencie morskim w ustawieniach NMEA 2000 wybierz nazwę urządzenia (GND 10).
- 2 Wybierz **Filtr kąta wiatru**.
- 3 Wybierz opcję:
 - Wybierz **Wył.**, aby wyłączyć filtr i aby wyświetlacz szybko reagował na zmiany kąta wiatru.
 - Wybierz **Wi.** i podaj wartość. Wybierz większą liczbę, aby zwiększyć czułość reakcji wyświetlacza na zmiany kąta wiatru, lub wybierz mniejszą liczbę, aby zmniejszyć czułość reakcji.
 - Wybierz **Auto**, aby automatycznie regulować ustawienia filtra w zależności od warunków wiatru.

- 4 Wybierz **Gotowe**.

Regulowanie filtra prędkości wiatru

Należy wyregulować to ustawienie, aby zmienić czułość reakcji wyświetlacza na zmiany prędkości wiatru.

- 1 W instrumencie morskim w ustawieniach NMEA 2000 wybierz nazwę urządzenia (GND 10).
- 2 Wybierz **Filtr prędkości wiatru**.
- 3 Wybierz opcję:
 - Wybierz **Wył.**, aby wyłączyć filtr i aby wyświetlacz szybko reagował na zmiany prędkości wiatru.
 - Wybierz **Wi.** i podaj wartość. Wybierz większą liczbę, aby zwiększyć czułość reakcji wyświetlacza na zmiany prędkości wiatru, lub wybierz mniejszą liczbę, aby zmniejszyć czułość reakcji.
 - Wybierz **Auto**, aby automatycznie regulować ustawienia filtra w zależności od warunków wiatru.

- 4 Wybierz **Gotowe**.

Konserwacja i przechowywanie

- W razie potrzeby przetwornik wiatru można wyczyścić łagodnym roztworem mydła, a następnie wypłukać w wodzie. Nie wolno używać detergentów ani wody pod ciśnieniem.
- Jeśli przetwornik wiatru nie będzie używany przez dłuższy czas, najlepiej zdjąć go i przechowywać w suchym miejscu.
- Jeśli urządzenie WSI nie będzie używane przez dłuższy czas, najlepiej zdjąć je i przechowywać w suchym miejscu.
- Przetwornik wiatru najlepiej jest przechowywać w jasnym miejscu. Dzięki temu bateria nie będzie się rozładowywała.

- W przypadku przechowywania przetwornika wiatru w ciemnym miejscu zaleca się wymianę baterii przed każdym sezonem. Baterie na wymianę można nabyć u lokalnego dealera firmy Garmin lub na stronie www.garmin.com.

Parowanie przetwornika wiatru z urządzeniem WSI

Aby można było sparować przetwornik wiatru z urządzeniem WSI, instrument morski Garmin (np. GMI 20) musi być podłączony do tej samej sieci NMEA 2000, co urządzenie GND 10.

Ten przetwornik wiatru jest fabrycznie sparowany z urządzeniem WSI. Parowanie przetwornika wiatru z urządzeniem WSI należy przeprowadzić jedynie w przypadku wymiany urządzenia.

- 1 Zdejmij pokrywkę komory baterii przetwornika wiatru.
- 2 Umieść przetwornik wiatru w odległości nie większej niż 2 m (6 stóp) od urządzenia WSI, a następnie naciśnij i przytrzymaj biały przycisk na płycie drukowanej, aż dioda LED zgaśnie.

Stare dane parowania zostaną usunięte z przetwornika wiatru.

- 3 W instrumencie morskim w ustawieniach NMEA 2000 wybierz GND 10.

- 4 Wybierz **Ogólna konfiguracja**.

- 5 Wpisz „UP” (co oznacza anulowanie parowania) i wybierz **Gotowe**.

Stare dane parowania zostaną usunięte z urządzenia WSI.

- 6 Umieść przetwornik wiatru w odległości nie większej niż 2 m (6 stóp) od urządzenia WSI, a następnie naciśnij (ale nie przytrzymuj) biały przycisk na płycie drukowanej i obserwuj diodę LED:

- Jeśli dioda LED zamiga dwa razy, a następnie zgaśnie, oznacza to, że parowanie się powiodło.
- Jeśli dioda LED zamiga dwa razy, a następnie zaświeci się jeszcze raz na około sekundę, oznacza to, że parowanie się nie powiodło. Przysuń urządzenie bliżej do urządzenia WSI i powtarzaj ten krok, aż parowanie się powiedzie.

- 7 Załóż pokrywkę komory baterii przetwornika wiatru.

Dane techniczne

Dane techniczne	Wartość
Wymiary po zamontowaniu (wys. × dł.)	345 mm (13,58 cala) × 610 mm (24 cale)
Masa	350 g (12,35 uncji)
Temperatura robocza	Od -20°C do 50°C (od -4°F do 122°F)
Temperatura przechowywania	Od 0°C do 35°C (od 32°F do 95°F)
Klasa wodoszczelności (przetwornik wiatru)	IEC 60529 IPX-6 (ochrona przed wzburzonym morzem)
Klasa wodoszczelności (WSI)	IEC 60529 IPX-0 (brak specjalnej ochrony)
Zużycie energii (WSI i GND 10)	1,1 W
Typowy pobór prądu przy 12 V DC (WSI i GND 10)	95 mA
Zakres prędkości wiatru	Od 0,9 do 90 węzłów (od 0,9 do 50 m/s)

Pokyny pro instalaci zařízení gWind™ Wireless

Toto zařízení bezdrátově poskytuje informace o rychlosti a úhlu větru na síti NMEA 2000 na lodi. Převodník větru odesílá informace do bezdrátového rozhraní serveru (WSI), které musí být připojeno k zařízení Garmin GND 10, aby bylo možné data odeslat do sítě NMEA 2000.

Důležité bezpečnostní informace

⚠ VAROVÁNÍ

Přečtěte si leták Důležité bezpečnostní informace a informace o produktu vložený v obalu s výrobkem. Obsahuje varování a další důležité informace.

⚠ UPOZORNĚNÍ

Při vrtání, řezání nebo pískování mějte vždy nasazeny ochranné brýle a použijte ochranu uší a protiprachovou masku.

Při práci ve výškách buďte opatrní.

Upozornění k používání baterií

⚠ VAROVÁNÍ

Pokud byste se neřídili těmito pokyny, mohlo by dojít ke zkrácení životnosti baterie nebo k nebezpečí poškození zařízení, požáru, chemickému spálení, k vytečení elektrolytu nebo k úrazu.

- Zařízení nerozebírejte, neupravujte, znovu nevyrobíte, nepropichujte. Zařízení ani baterii neničte.
- Neponořujte zařízení ani baterie do vody nebo do jiné kapaliny. Dále nesmí přijít do styku s ohněm a nesmí být vystaveny výbuchu ani jinému riziku.
- K vyjmutí baterií nepoužívejte ostré předměty.
- Baterie udržujte mimo dosah dětí.
- Baterie vyměňujte pouze za odpovídající náhradní baterii. Použití jiných typů baterií představuje riziko požáru nebo výbuchu. Chcete-li zakoupit náhradní baterii, navštivte prodejce Garmin nebo webové stránky Garmin.
- Zařízení neprovozujte při teplotách mimo následující rozsah: -20 °C až 50 °C (-4 °F až 122 °F).
- Pokud zařízení skladujete po delší dobu, skladovací teplota by měla odpovídat následujícímu rozsahu: 0 až 35 °C (32 až 95 °F).
- Informace o likvidaci zařízení/baterií v souladu s platnými místními zákony a nařízeními získáte u místního střediska pro likvidaci odpadů.

Registrace zařízení

Pokud vyplníte online registrační formulář ještě dnes, získáte přístup k rozsáhlejší úrovni podpory.

- Přejděte na webovou stránku <http://my.garmin.com>.
- Uschovejte originál účtenky nebo její fotokopii na bezpečném místě.

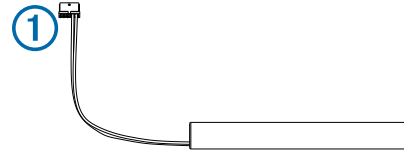
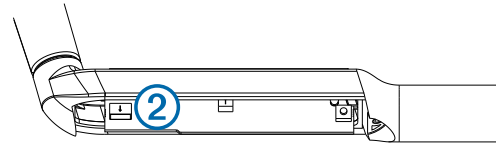
Instalace baterie

POZNÁMKA

Vhodná baterie je dodávána se zařízením. Instalace baterie, která není dodávána nebo zakoupena od společnosti Garmin může vést k poškození zařízení.

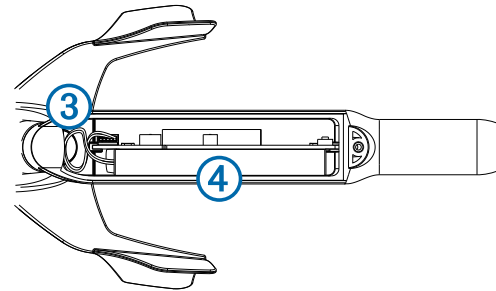
Před montáží zařízení musíte vložit dodávanou baterii.

- 1 Pomocí křížového šroubováku číslo 2, otevřete kryt baterie na zařízení.
- 2 Zapojte konektor baterie ① do portu na desce zařízení ②.



Konektor do portu zapadne pouze ve správné orientaci. Použití nadměrné síly na konektor může vést k jeho poškození.

- 3 Zavedte kabel baterie do pouzdra zařízení ③ a zasuňte baterii pod desku ④.

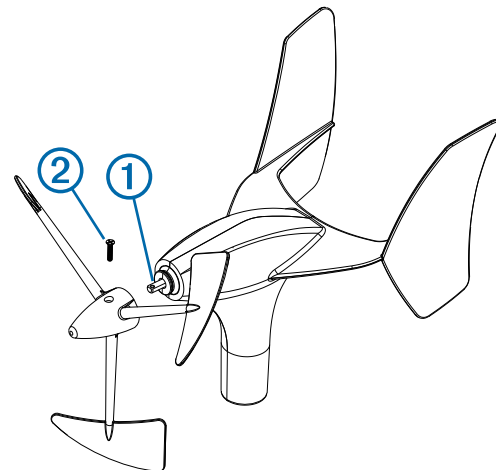


- 4 Při zavírání zajišťování krytu baterie dbejte na to, abyste neskřípli vodiče baterie.

Instalace vrtule

- 1 Zkontrolujte, že kolík ① je ve správné pozici vzhledem k otvoru ve vrtuli.

Otvor ve vrtuli lze na kolík nasadit pouze jedním způsobem.

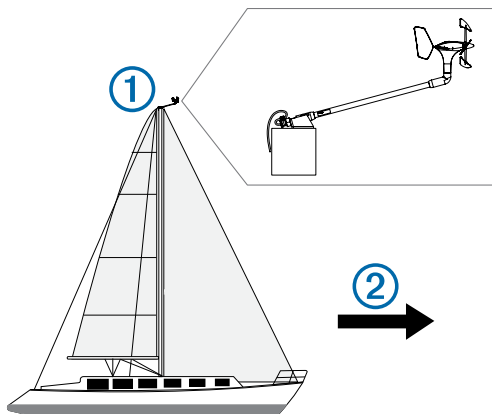


- 2 Tlačte na vrtuli, dokud nezapadne na zařízení.
- 3 Pomocí šroubu ze sady ② vrtuli bezpečně upevněte k zařízení.

Co je třeba vzít v úvahu při montáži

Při výběru instalačního místa pro převodník větru je třeba vzít v úvahu tyto skutečnosti.

- Převodník větru je třeba umístit na vodorovný povrch na hlavu stěžně ①.

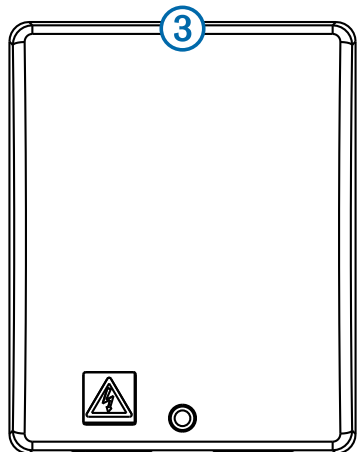


- Jestliže na hlavě stěžně není vodorovný povrch, musí být takový povrch vytvořen pomocí vhodné podložky.
- Převodník větru je třeba nainstalovat směrem k přední části lodi ②, souběžně s osou.

POZNÁMKA: Jestliže zařízení nenainstalujete tak, aby mířilo přesně k přední části lodi, musíte pro získání přesných údajů o úhlu větru nakonfigurovat vyrovnání úhlu větru podle návodu v těchto pokynech k instalaci.

Při výběru instalačního místa pro bezdrátové rozhraní serveru (WSI) je třeba vzít v úvahu tyto skutečnosti.

- Než zařízení WSI trvale nainstalujete, musíte ověřit sílu signálu mezi převodníkem větru a zařízením WSI.
- Zařízení WSI není voděodolné a je třeba jej nainstalovat na místo, na které nestříká ani se přes něj neprelévá voda, a které se nemůže ocitnout pod vodou.
- Nejlepší místo pro zařízení WSI je pod palubou lodi v blízkosti trupu a na co nejvyšším místě.
- Zařízení WSI je třeba nainstalovat co nejbližší převodníku větru.
- Kovové předměty, které se nacházejí na dráze mezi převodníkem větru a zařízením WSI, výrazně snižují přenosovou vzdálenost.
- Anténa je umístěn na horní části zařízení WSI ③ a nejlépe funguje tehdy, když je namířena směrem k převodníku větru.



- Zařízení WSI funguje nejlépe při instalaci na pažení souběžně s tyčí převodníku větru, ve směru od příď k zádi.

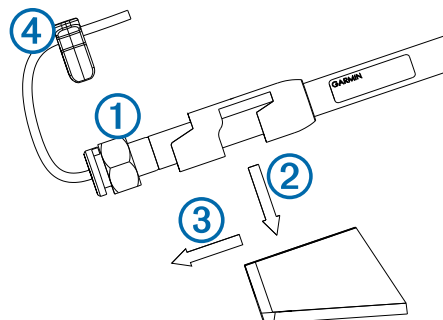
Instalace montážního držáku

- 1 Montážní držák využijte jako šablonu a označte umístění vodicích otvorů.
- 2 Pomocí 4,5mm ($11/64$ in.) vrtáku navrtejte vodicí otvory.

- 3 Připevněte montážní držák k povrchu pomocí přiložených šroubů.

Upevnění zařízení do montážního držáku

- 1 Uvolněte pojistnou matici ① tak, že jí budete ručně otáčet proti směru hodinových ručiček, dokud se nezastaví.



- 2 Zařízení umístěte do montážního držáku tak, že jej budete tlačit dolů ② a zasouvat dozadu, dokud se nezastaví ③.
- 3 Pro zajištění zařízení v držáku otáčejte pojistnou matici po směru hodinových ručiček, dokud se nezastaví.
- 4 Připevněte na zařízení bezpečnostní svorku ④, abyste předešli uvolnění pojistné matice.

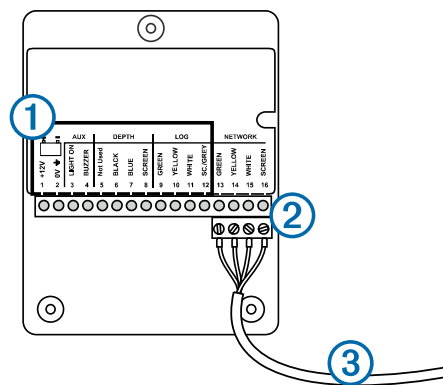
Montáž zařízení WSI

Než zařízení WSI trvale nainstalujete, musíte ověřit sílu signálu mezi snímačem a schránkou přijímače.

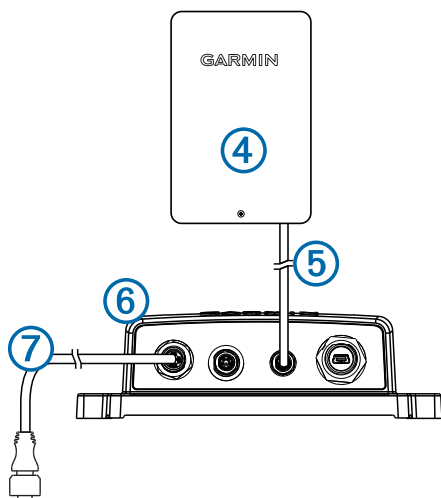
- 1 Určete místo montáže.
- 2 Použijte zařízení jako šablonu a označte si na montážním povrchu umístění vodicích otvorů.
- 3 Pomocí $1/8$ palcového vrtáku vyvrtejte vodicí otvory.
- 4 Pomocí přiložených šroubů upevněte zařízení k montážnímu povrchu.

Co je třeba vzít v úvahu při připojení

Zařízení WSI musí být připojeno k zařízení Garmin GND 10, aby mohlo komunikovat se sítí NMEA 2000 na lodi. Až budete připojovat přiložené kabely k zařízení WSI a GND 10, vezměte v úvahu tyto skutečnosti.



Položka	Popis
①	Tyto terminály se nepoužívají, pokud připojujete toto zařízení k zařízení GND 10, protože zařízení WSI je napájeno pomocí zařízení GND 10. Jestliže chcete použít zařízení WSI s jinými produkty Nexus, přečtěte si návod k obsluze zařízení Nexus.
②	Tento konektor lze zapojit pouze jedním způsobem. Před vložením konektoru propojte vodiče podle barev s odpovídajícími terminály.
③	Lze připojit ke kterémukoli portu NEXUS na zařízení GND 10



Položka	Popis
④	WSI
⑤	WSI kabel
⑥	GND 10
⑦	NMEA 2000 síť

Konfigurace převodníku větru

Aby bylo možné začít převodník větru konfigurovat, musí být nejprve připojen prostřednictvím zařízení GND 10 k síti NMEA 2000 s námořním přístrojem Garmin, jako je například přístroj GMI 20. Další informace ohledně konfigurace zařízení NMEA 2000 naleznete v návodu k obsluze námořního přístroje.

- 1 V námořním přístroji přejděte na nastavení NMEA 2000.
- 2 Vyberte název zařízení (GND 10), které chcete konfigurovat.

Úprava orientace

Toto nastavení byste měli upravit v případě, že snímač není natočen přesně k přední části lodi.

- 1 Na námořním přístroji vyberte v nastavení NMEA 2000 název zařízení (GND 10).
- 2 Vyberte možnost **Vyrovnaní úhlu větru**.
- 3 Na základě směru, v němž je snímač natočen ve vztahu k přesnému středu přední části lodi, vyberte úhel ve stupních a upravte tak rozdíl v orientaci.

Úhel je nakonfigurován po směru hodinových ručiček okolo stěžně lodi, počínaje od přesného středu přední části lodi. Kupříkladu 90 stupňů je pravobok a 270 stupňů je levobok.

- 4 Vyberte možnost **Hotovo**.

Úprava filtru úhlu větru

Toto nastavení byste měli upravit a nastavit citlivost displeje na změny ve směru větru.

- 1 Na námořním přístroji vyberte v nastavení NMEA 2000 název zařízení (GND 10).
- 2 Vyberte možnost **Filtr úhlu větru**.
- 3 Vyberte možnost:
 - Výběrem možnosti **Vypnuto** filtr vypnete; v tomto nastavení reaguje displej na změny v úhlu větru nejcitlivěji.
 - Vyberte možnost **Zapnuto** a nastavte hodnotu. Výběrem vyšší hodnoty citlivost displeje na změny v úhlu větru zvýšíte, výběrem nižší hodnoty citlivost naopak snížíte.
 - Výběrem možnosti **Automaticky** automaticky upravíte nastavení filtru podle větrných podmínek.
- 4 Vyberte možnost **Hotovo**.

Úprava filtru rychlosti větru

Toto nastavení byste měli upravit a nastavit citlivost displeje na změny v rychlosti větru.

- 1 Na námořním přístroji vyberte v nastavení NMEA 2000 název zařízení (GND 10).
- 2 Vyberte možnost **Filtr rychlosti větru**.
- 3 Vyberte možnost:
 - Výběrem možnosti **Vypnuto** filtr vypnete; v tomto nastavení reaguje displej na změny v rychlosti větru nejcitlivěji.
 - Vyberte možnost **Zapnuto** a nastavte hodnotu. Výběrem vyšší hodnoty citlivost displeje na změny v rychlosti větru zvýšíte, výběrem nižší hodnoty citlivost naopak snížíte.
 - Výběrem možnosti **Automaticky** automaticky upravíte nastavení filtru podle větrných podmínek.
- 4 Vyberte možnost **Hotovo**.

Údržba a skladování

- V případě potřeby použijte k očištění převodníku větru jemný mýdlový roztok a opláchněte jej vodou. Nepoužívejte čisticí přípravky ani vysokotlaký proud vody.
- Jestliže nebudete převodník větru delší dobu používat, doporučujeme jej sejmout a uložit na suchém místě.
- Jestliže nebudete zařízení WSI delší dobu používat, doporučujeme je sejmout a uložit na suchém místě.
- Při skladování převodníku větru je nejlépe uložit jej na místě, kde je vystaven slunci. Baterie zařízení tak zůstane nabitá.
- Jestliže převodník větru skladujete na tmavém místě, doporučujeme na začátku každé sezóny baterii vyměnit. Náhradní baterie můžete zakoupit u svého místního prodejce Garmin nebo na stránkách www.garmin.com.

Spárování převodníku větru se zařízením WSI

Před spárováním převodníku větru se zařízením WSI musíte připojit námořní přístroj Garmin, jako například GMI 20, ke stejné síti NMEA 2000, jako zařízení GND 10.

Převodník větru je se zařízením WSI spárován při výrobě. Převodník větru musíte se zařízením WSI spárovat pouze v případě, že jste zařízení vyměnili.

- 1 Sejměte kryt příhrádky na baterie na převodníku větru.
- 2 Umístěte převodník větru do vzdálenosti maximálně 2 m (6 stop) od zařízení WSI a podržte bílé tlačítko na obvodové desce, dokud nezhasne dioda LED.
Původní informace o párování jsou z převodníku větru vymazány.
- 3 Na námořním přístroji vyberte v nastavení NMEA 2000 možnost GND 10.
- 4 Vyberte možnost **Obecná konfigurace**.
- 5 Zadejte možnost „UP“ (označuje zrušení párování) a vyberte možnost **Hotovo**.
Původní informace o párování jsou ze zařízení WSI vymazány.
- 6 Umístěte převodník větru do vzdálenosti maximálně 2 m (6 stop) od zařízení WSI, stiskněte, ale nedržte, bílé tlačítko na obvodové desce, a pozorujte diodu LED:
 - Jestliže dioda LED dvakrát blikne a poté zhasne, bylo párování úspěšné.
 - Jestliže dioda LED dvakrát blikne a potom se ještě jednou přibližně na vteřinu rozsvítí, bylo párování neúspěšné. Přesuňte zařízení blíže k zařízení WSI a opakujte tento krok, dokud se nepodaří párování úspěšně dokončit.

- 7 Vraťte kryt přihrádky na baterie na převodníku větru zpět na své místo.

Technické údaje

Technické údaje	Hodnota
Rozměry po montáži (výška × délka)	345 mm (13,58 palce) × 610 mm (24 palce)
Hmotnost	350 g (12,35 unce)
Provozní teplota	od -20 °C do 50 °C (-4 °F do 122 °F)
Skladovací teplota	od 0 ° do 35 °C (32 ° do 95 °F)
Stupeň vodotěsnosti (převodník větru)	IEC 60529 IPX-6 (chráněno proti vlnobití)
Stupeň vodotěsnosti (WSI)	IEC 60529 IPX-0 (žádná zvláštní ochrana)
Příkon (WSI a GND 10)	1,1 W
Obvyklý odběr proudu při 12 V stejnosměrného napětí (WSI a GND 10)	95 mA
Rozsah rychlostí větru	od 0,9 do 50 m/s (od 0,9 do 90 uzlů)

Upute za montažu uređaja gWind™ Wireless

Ovaj uređaj bežičnim putem mreži NMEA 2000 na vašem plovilu šalje podatke o brzini i kutu vjetra. Sonda za vjetar podatke šalje sučelju bežičnog poslužitelja (WSI) koji se mora povezati s uređajem Garmin GND 10 kako bi poslao podatke mreži NMEA 2000.

Važne sigurnosne informacije

⚠ UPOZORENJE

U kutiji proizvoda potražite list Važni podaci o sigurnosti i proizvodu koji sadrži upozorenja i druge važne informacije.

⚠ OPREZ

Tijekom bušenja, rezanja ili brušenja uvijek nosite zaštitne naočale, štitnike za uši i masku protiv prašine.

U slučaju rada na visini budite pažljivi.

Upozorenja za bateriju

⚠ UPOZORENJE

Ako ne pratite ove smjernice, mogli biste skratiti vijek trajanja baterije ili riskirati oštećenje uređaja, požar, kemijske opekline, curenje elektrolita, i/ili ozljede.

- Uređaj ili baterije nemojte rastavljati, modificirati, ponovno sastavljati, bušiti niti oštećivati.
- Uređaj ili baterije nemojte uranjati niti izlagati vodi ili drugim tekućinama, vatri, eksploziji ili drugim opasnostima.
- Baterije nemojte vaditi pomoću oštih predmeta.
- Baterije držite izvan dohvata djece.
- Baterije zamijenite samo odgovarajućim zamjenskim baterijama. Upotrebom drugih baterija moglo bi doći do požara ili eksplozije. Želite li kupiti zamjenske baterije, obratite se distributeru Garmin proizvoda ili posjetite web-mjesto tvrtke Garmin.
- Uređaj nemojte koristiti izvan sljedećeg raspona temperature: od -20 °C do 50 °C (od -4 °F do 122 °F).
- Prilikom skladištenja uređaja na dulje vremensko razdoblje, skladištite ga u sljedećem rasponu temperature: od 0 °C do 35 °C (od 32 °F do 95 °F).
- Obratite se lokalnoj jedinici za odlaganje otpada radi odlaganja uređaja/baterija u skladu s važećim lokalnim zakonima i propisima.

Registriranje uređaja

Pomozite nam da vam ponudimo bolju uslugu ispunjavanjem online registracije.

- Idite na <http://my.garmin.com>.
- Pospremite originalni račun ili fotokopiju na sigurno mjesto.

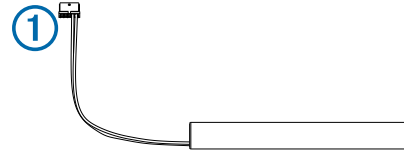
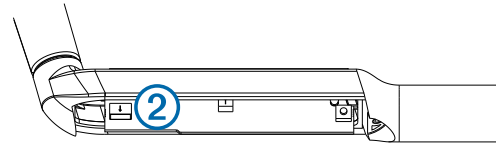
Postavljanje baterije

OBAVIJEST

Odgovarajuća baterija priložena je uz uređaj. Postavljanjem baterije koju ne isporučuje niti prodaje Garmin može doći do štete na uređaju.

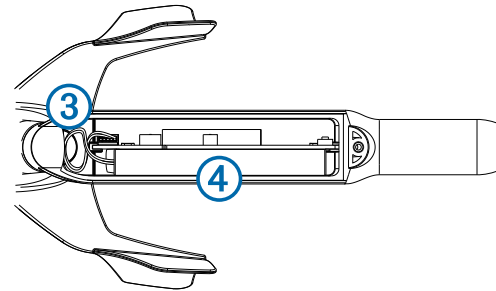
Prije montaže uređaja trebate postaviti priloženu bateriju.

- 1 Pomoću križnog odvijača broj 2 otvorite vratašca odjeljka za baterije.
- 2 Priključak baterije ① umetnite u utor ploče u uređaju ②.



Priključak se u utor može umetnuti samo u jednom smjeru. Primjenom prekomjerne sile prilikom umetanja priključka u utor možete oštetiti priključak.

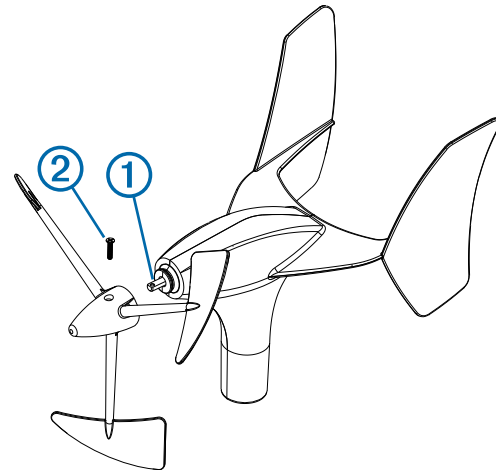
- 3 Provedite kabel baterije u kućište uređaja ③, a zatim bateriju postavite ispod ploče ④.



- 4 Pažljivo zatvorite vratašca odjeljka za baterije kako se žice baterije ne bi priklještile.

Montaža vijka sonde

- 1 Osovina ① pravilno poravnata s utorom na vijku. Osovina se u vijak može umetnuti samo na jedan način.

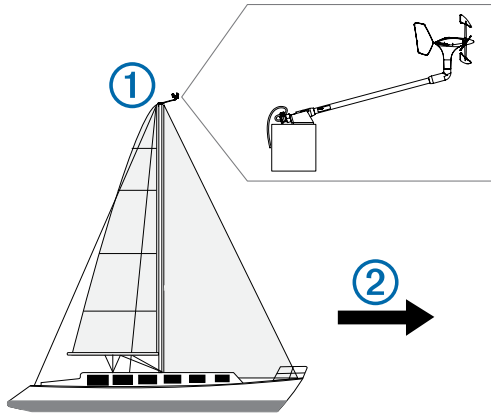


- 2 Pritisnite vijak dok ga ne postavite na uređaj.
- 3 Pomoću kompleta vijaka ② dobro učvrstite vijak na uređaj.

Preporuke za montažu

Kada odabirete lokaciju za montažu sonde za vjetar, uzmite u obzir sljedeće preporuke.

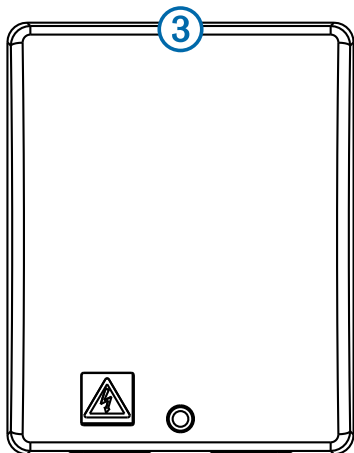
- Sondu za vjetar treba montirati na vodoravnu površinu na vrhu jarbola ①.



- Ako na vrhu jarbola nema vodoravne površine, treba ju napraviti upotrebom odgovarajućeg podloška.
 - Sondu za vjetra treba montirati tako da je usmjerena prema prednjem dijelu plovila ② i paralelna sa središnjom linijom.
- NAPOMENA:** Ako uređaj ne montirate tako da je usmjeren točno prema prednjem dijelu plovila ili ga montirate tako da je usmjeren prema stražnjem dijelu plovila, kako biste dobili točne podatke o kutu vjetra, morat ćete prema ovim uputama za montažu uređaja konfigurirati pomak kuta vjetra.

Kada odabirete lokaciju za montažu sučelja bežičnog poslužitelja (WSI), uzmite u obzir sljedeće preporuke.

- Prije trajne montaže uređaja WSI provjerite snagu signala između sonde za vjetar i uređaja WSI.
- Uređaj WSI nije vodootporan i mora se montirati na lokaciji kojoj neće biti izložen prskanju, zalijevanju ili potapanju.
- Najbolja lokacija za montažu uređaja WSI je u potpalublju, blizu trupa, na što je moguće višem položaju na plovilu.
- Uređaj WSI montirajte što je moguće bliže sondi za vjetar.
- Metalni predmeti između sonde za vjetar i uređaja WSI značajno smanjuju udaljenost prijenosa signala.
- Antena se nalazi na vrhu uređaja WSI ③ i najbolje radi kada je usmjerena prema sondi za vjetar.



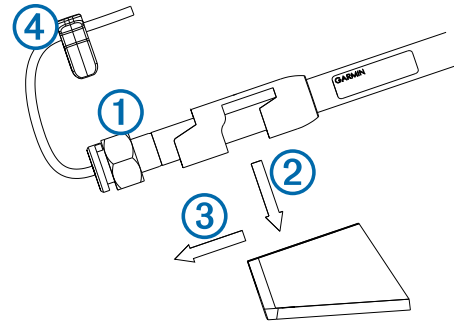
- Uređaj WSI najbolje radi kada je montiran pregradu koja je paralelna s adapterom za montažu na koji je montirana sonda za vjetar u smjeru prema pramcu-krmi.

Montaža nosača

- 1 Koristeći nosač kao šablonu označite mjesta za probne rupe.
- 2 Pomoću svrdla veličine 4,5 mm ($11/64$ in) probušite probne rupe.
- 3 Pomoću isporučених vijaka pričvrstite nosač na površinu.

Postavljanje uređaja u nosač

- 1 Otpustite maticu na uređaju ① okrećući je ulijevo prstima dok se ne zaustavi.



- 2 Kako biste ga postavili u nosač, uređaj pritisnite prema dolje ② i zatim ga gurnite prema natrag dok se ne zaustavi ③.
- 3 Osigurajte uređaj u nosaču okretanjem matice rukom udesno dok se ne zaustavi.
- 4 Kako biste spriječili otpuštanje matice, na uređaj pričvrstite sigurnosnu stezaljku ④.

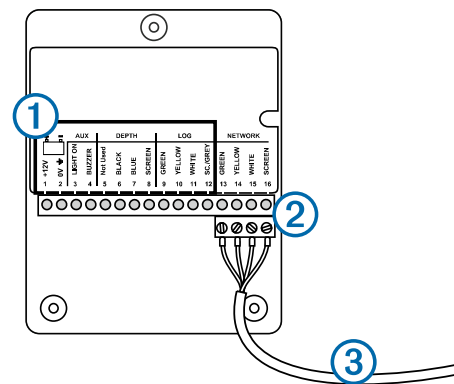
Montaža uređaja WSI

Prije trajne montaže uređaja WSI provjerite snagu signala između sonde za vjetar i prijemnika.

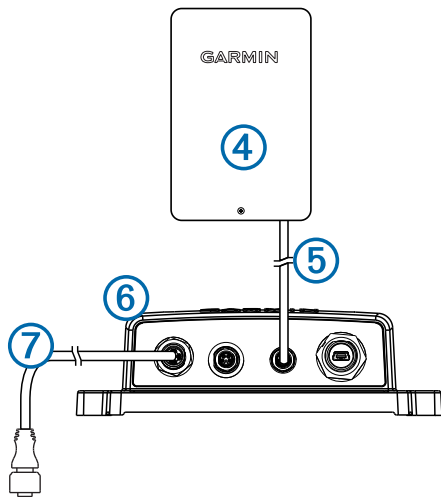
- 1 Odaberite lokaciju za montažu.
- 2 Koristeći uređaj kao šablonu na površini za montažu označite mjesta za probne rupe.
- 3 Pomoću svrdla veličine $1/8$ in probušite probne rupe.
- 4 Pomoću priloženih vijaka pričvrstite uređaj na površinu za montažu.

Preporuke za priključivanje

Uređaj WSI mora biti povezan s uređajem Garmin GND 10 kako bi mogao slati podatke mreži NMEA 2000 na vašem plovilu. Prilikom priključivanja isporučеног kabla u uređaj WSI i uređaj GND 10, uzmite u obzir sljedeće preporuke.



Element	Opis
①	Ovi priključci se ne koriste prilikom povezivanja ovog uređaja s uređajem GND 10 zato što se uređaj WSI napaja putem uređaja GND 10. Ako uređaj WSI želite koristiti s drugim Nexus proizvodima, proučite korisnički priručnik za uređaj Nexus.
②	Ovaj priključak se može umetnuti na samo jedan način. Prije umetanja priključka pomoću boja povežite žice s blokovima priključka.
③	Možete ga priključiti na bilo koji NEXUS priključak na uređaju GND 10



Element	Opis
④	WSI
⑤	WSI kabel
⑥	GND 10
⑦	NMEA 2000 mreža

Konfiguriranje sonde za vjetar

Da biste ju mogli konfigurirati, sonda za vjetar mora putem uređaja GND 10 biti povezana s mrežom NMEA 2000 u koju je priključen Garmin pomorski instrument poput uređaja GMI 20. Upute o konfiguriranju NMEA 2000 uređaja potražite u korisničkom priručniku koji ste dobili uz uređaj.

- 1 Na pomorskom uređaju odaberite postavke za NMEA 2000.
- 2 Odaberite naziv uređaja koji želite konfigurirati (GND 10).

Prilagođavanje položaja

Ovu postavku trebate prilagoditi ako sonda nije usmjerena točno prema prednjoj strani plovila.

- 1 Na pomorskom uređaju u postavkama za NMEA 2000 odaberite naziv uređaja (GND 10).
- 2 Odaberite **Pomak kuta vjetra**.
- 3 Ovisno o pomaku sonde u odnosu na točnu sredinu prednje strane plovila, odaberite kut u stupnjevima kako biste nadoknadili razliku u položaju.

Kut se određuje u smjeru kazaljke na satu oko jarbola počevši od točne sredine prednje strane plovila. Na primjer, 90 stupnjeva je desno, a 270 je lijevo.

- 4 Odaberite **Gotovo**.

Podešavanje filtra kuta vjetra

Podešavanjem ove postavke mijenja se brzina reakcije zaslona na promjene smjera vjetra.

- 1 Na pomorskom uređaju u postavkama za NMEA 2000 odaberite naziv uređaja (GND 10).
- 2 Odaberite **Filtar kuta vjetra**.
- 3 Odaberite opciju:
 - Odaberite **Isključeno** kako biste isključili filtar i postavili zaslon na najveću osjetljivost na promjene smjera vjetra.
 - Odaberite **Uključeno** i podesite vrijednost. Ako želite povećati osjetljivost zaslona na promjene smjera vjetra, odaberite veću vrijednost ili odaberite manju vrijednost i tako smanjite osjetljivost zaslona.
 - Odaberite **Automatski** ako želite da se filtar automatski podešava ovisno o vjetru.

- 4 Odaberite **Gotovo**.

Podešavanje filtra brzine vjetra

Podešavanjem ove postavke mijenja se brzina reakcije zaslona na promjene brzine vjetra.

- 1 Na pomorskom uređaju u postavkama za NMEA 2000 odaberite naziv uređaja (GND 10).
- 2 Odaberite **Filtar brzine vjetra**.
- 3 Odaberite opciju:
 - Odaberite **Isključeno** kako biste isključili filtar i postavili zaslon na najveću osjetljivost na promjene brzine vjetra.
 - Odaberite **Uključeno** i podesite vrijednost. Ako želite povećati osjetljivost zaslona na promjene brzine vjetra, odaberite veću vrijednost ili odaberite manju vrijednost i tako smanjite osjetljivost zaslona.
 - Odaberite **Automatski** ako želite da se filtar automatski podešava ovisno o vjetru.
- 4 Odaberite **Gotovo**.

Održavanje i skladištenje

- Ako je potrebno, sondu za vjetar očistite otopinom blagog sapuna i isperite vodom. Nemojte upotrebljavati deterdžente ili visokotlačne strojeve za pranje.
- Ako sondu za vjetar nećete upotrebljavati kroz dulji vremenski period, preporučujemo da ju skinete i spremite na suho mjesto.
- Ako WSI nećete upotrebljavati kroz dulji vremenski period, preporučujemo da ga skinete i spremite na suho mjesto.
- Sondu za vjetar najbolje je spremite na mjesto na kojem je izložena svjetlu. Na taj način se održava kapacitet napunjenosti baterije uređaja.
- Ako sondu za vjetar spremate na mračno mjesto, preporučujemo da na početku svake sezone zamijenite bateriju. Zamjenske baterije dostupne su vam kod Garmin zastupnika ili na web-mjestu www.garmin.com.

Uparivanje sonde za vjetar i uređaja WSI

Kako biste sondu za vjetar mogli upariti s uređajem WSI, Garmin pomorski instrument poput uređaja GMI 20 mora biti povezan u istu NMEA 2000 mrežu kao i uređaj GND 10.

Ova sonda za vjetar je tvornički uparena s uređajem WSI. Sondu za vjetar morate upariti s uređajem WSI samo ako ste zamijenili uređaj.

- 1 Uklonite poklopac baterije sonde za vjetar.
- 2 Sondu za vjetar postavite na udaljenosti do 2 m (6 ft.) od uređaja WSI i držite bijeli gumb na sklopovskoj pločici dok se LED indikator ne isključi.
Stare informacije o uparivanju izbrisane su iz sonde za vjetar.
- 3 Na pomorskom uređaju u postavkama za NMEA 2000 odaberite GND 10.
- 4 Odaberite **Generička konfiguracija**.
- 5 Unesite **"UP"** (to označava prekid uparivanja) i odaberite **Gotovo**.
Stare informacije o uparivanju izbrisane su iz uređaja WSI.
- 6 Sondu za vjetar postavite na udaljenosti do 2 m (6 ft.) od uređaja WSI, pritisnite bijeli gumb, ali ga nemojte držati i promatrajte LED indikator:
 - Ako LED indikator dvaput zasvijetli i zatim se ugasi, uparivanje je bilo uspješno.
 - Ako LED indikator dvaput zasvijetli, a zatim nakon otprilike jedne sekunde zasvijetli još jednom, uparivanje nije bilo uspješno. Postavite uređaj bliže uređaju WSI i ponavljajte ovaj korak dok uparivanje ne uspije.
- 7 Vratite poklopac baterije sonde za vjetar na njeno mjesto.

Specifikacije

Specifikacija	Vrijednost
Dimenzije u montiranom položaju (V xD)	345 mm (13,58 in) x 610 mm (24 in)
Težina	350 g (12,35 oz)
Radna temperatura	Od -20 ° do 50 °C (-4 ° do 122 °F)
Temperatura za skladištenje	Od 0 ° do 35 °C (32 ° do 95 °F)
Vodootpornost (sonda za vjetar)	IEC 60529 IPX-6 (zaštita od jakog mlaza)
Vodootpornost (WSI)	IEC 60529 IPX-0 (nema zaštite)
Potrošnja energije (WSI i GND 10)	1,1 W
Tipična potrošnja struje pri 12 V DC (WSI i GND 10)	95 mA
Raspon brzina vjetra	Od 0,9 do 90 čvorova (od 0,9 do 50 m/s)

gWind™ Wireless 安装说明

此设备可为您的船只上的 NMEA 2000 网络提供风速和风向角信息。此风况传感器将信息传输至无线服务器接口 (WSI)，该接口必须连接至 Garmin GND 10 以将数据发送至 NMEA 2000 网络。

重要安全信息

警告

请参阅产品包装盒中的 重要安全和产品信息指南，了解产品警告和其他重要信息。

当心

在钻孔、切割或研磨时总是戴上防护眼镜、护耳用具和防尘面具。在高空作业时须小心谨慎。

电池警告

警告

如不遵守这些准则，则可能导致电池的使用寿命缩短，或存在设备损坏、起火、化学灼伤、电解质泄漏，以及/或人员受伤的风险。

- 请勿拆解、改装、改造、穿刺或损坏设备或电池。
- 请勿将设备或电池浸入水中或其他液体中，或置于火中、爆炸或其他危害中。
- 请勿使用尖锐物体取下电池。
- 保持电池远离儿童。
- 仅使用正确的更换电池替换原有电池。使用其他电池可能会导致起火或爆炸。要购买更换电池，请访问 Garmin 经销商或 Garmin 网站。
- 在超出以下温度范围的条件 下请勿操作设备：20°C 至 50°C (-4°F 至 122°F)。
- 长期存放设备时，存放温度范围为：0°至 35°C (32°至 95°F)。
- 请联系当地的废物处理部门，以便按照当地的适用法律和法规处理设备/电池。

注册设备

立即完成我们的在线注册，帮助我们更好地为您提供支持。

- 转至 <http://my.garmin.com>。
- 将原始销售收据或其复印件保存在安全位置。

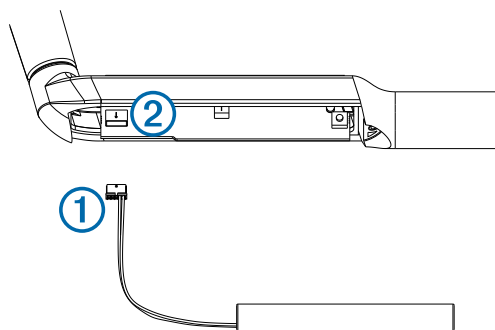
安装电池

注意

该设备随附相应的电池。安装随附或购自 Garmin 以外的电池可能会损坏设备。

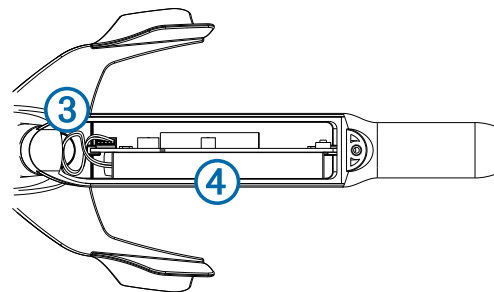
安装设备之前，必须先安装随附的电池。

- 1 使用 2 号十字螺丝刀打开设备上的电池盖。
- 2 将电池 ① 的接头插入设备 ② 内板上的端口。



接头将以唯一的方式匹配该端口。将接头强制插入端口可能将其损坏。

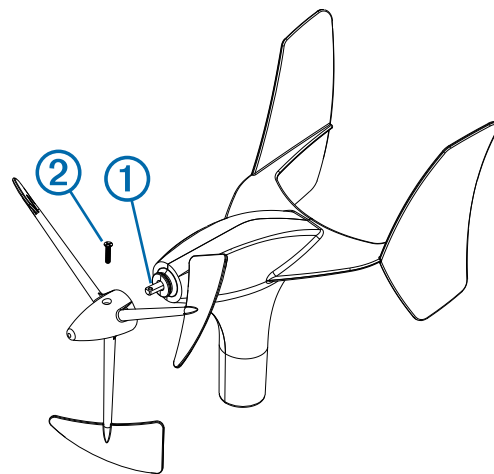
- 3 将电池电缆布入设备机壳 ③ 内，然后将电池放在板 ④ 的下方。



- 4 注意避免挤压电池缆线，关闭锁紧电池盖。

安装推进器

- 1 确保轴 ① 与推进器上的插槽正确对齐。推进器上的插孔仅可单向装在轴上。

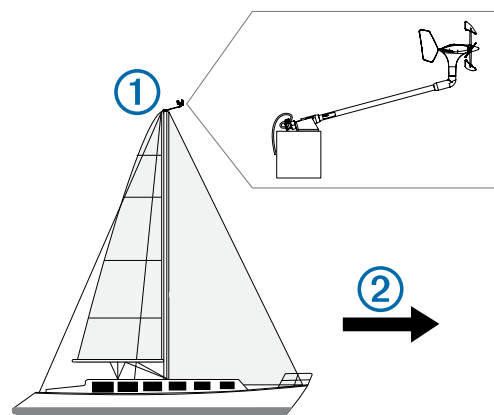


- 2 按压推进器，直至其在设备中插入到位。
- 3 安装固定螺丝 ② 以将推进器牢牢固定在设备上。

安装注意事项

选择风况传感器的安装位置时，请遵循以下注意事项。

- 风况传感器应安装在桅杆顶端 ① 的水平表面上。

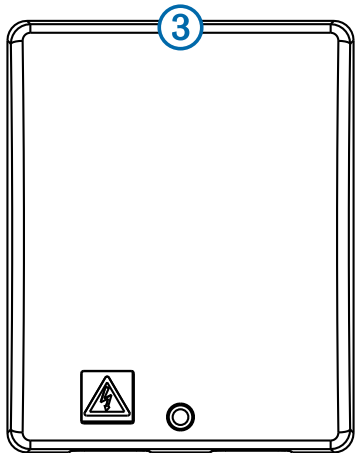


- 如果桅杆顶端上没有水平表面，必须增加相应的夹铁，以形成水平表面。
- 风况传感器应安装成面朝船头 ②、与中心线平行。

注：如果您未将设备安装成面朝正船首方向，或者将其安装成面朝船尾，则必须按照这些安装说明中的相关指示配置风向角偏移，以获取准确的风向角数据。

选择无线服务器接口 (WSI) 的安装位置时，请遵循以下注意事项。

- 永久安装 WSI 之前，您必须测试风况传感器与 WSI 之间的信号强度。
- WSI 不能防水，必须安装在水喷不到、淋不着或泡不到的位置。
- WSI 的最佳位置是甲板下方、船体附近、船只至高处。
- 您应将 WSI 安装在尽可能靠近风况传感器的位置。
- 风况传感器和 WSI 路径中的金属物体将大大缩短传输距离。
- 天线位于 WSI ③ 顶部，指向风况传感器时将发挥最佳功效。



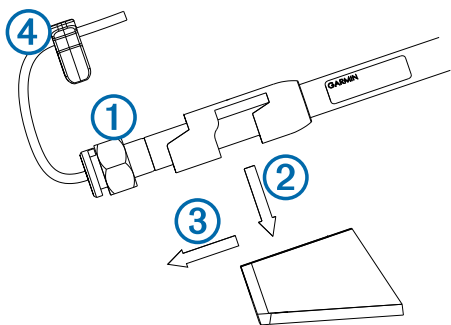
- 如果安装在舱壁上并与风况传感器桅杆平行，WSI 将发挥最佳功效。

安装安装托架

- 1 使用安装托架作为模板，标记定位孔位置。
- 2 使用 4.5 毫米 ($11/64$ 英寸) 钻头钻定位孔。
- 3 使用随附的螺丝将安装托架固定至表面。

将设备固定在安装托架中

- 1 手动逆时针转动锁紧螺母 ① 直至不能转动为止，以将其松开。



- 2 将设备置于安装托架中，方法是将其按下 ② 并往回滑动，直至不能再动为止 ③。
- 3 手动顺时针转动锁紧螺母到底，以将设备固定在托架中。
- 4 将安全夹 ④ 安装在设备中，以防锁紧螺母松动。

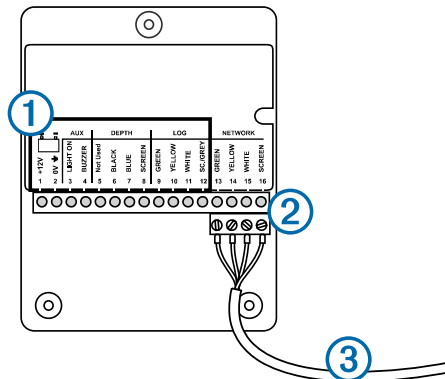
安装 WSI

永久安装 WSI 之前，您必须测试传感器与接收盒之间的信号强度。

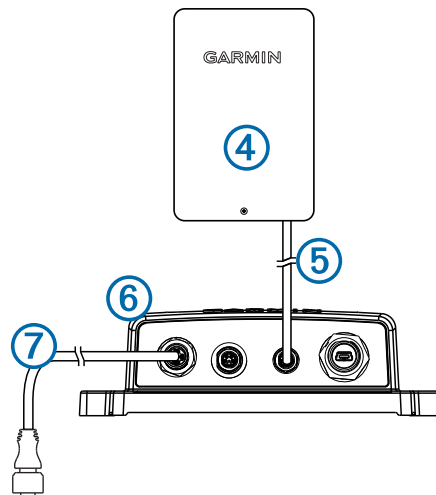
- 1 确定安装位置。
- 2 将设备用作模板，在安装表面上标记定位孔位置。
- 3 使用 $1/8$ 英寸钻头钻定位孔。
- 4 使用随附的螺丝将设备安装至安装表面。

连接注意事项

WSI 必须连接至 Garmin GND 10，以与您的船只上的 NMEA 2000 网络通信。将随附的线缆连接至 WSI 和 GND 10 时，请遵循以下注意事项。



项目	说明
①	将此设备连接至 GND 10 时不使用这些接线端，因为 WSI 由 GND 10 供电。如果您要将 WSI 与其它 Nexus 产品配合使用，请参阅 Nexus 设备的用户手册。
②	此接头仅可单向安装。插入接头之前，应先使线缆颜色与接线盒匹配。
③	这将连接至 GND 10 上的任一 NEXUS 端口



项目	说明
④	WSI
⑤	WSI 线缆
⑥	GND 10
⑦	NMEA 2000 网络

配置风况传感器

风况传感器必须通过 GND 10 连接至 NMEA 2000 网络 (使用 Garmin 船用仪器，例如 GMI 20)，才能对其进行配置。有关配置 NMEA 2000 设备的更多信息，请参阅船用仪器用户手册。

- 1 在船用仪器上，转至 NMEA 2000 设置。
- 2 选择要配置的设备 (GND 10) 的名称。

调节方向

如果传感器不是面朝正船首方向，您应调节此设置。

- 1 在船用仪器上，从 NMEA 2000 设置选择设备名称 (GND 10)。
- 2 选择 **风向角偏移**。
- 3 根据传感器所朝方向 (相对于船首正中心)，选择角度度数，以调节方向的差异。

角度是从船首正中心起绕船只桅杆按顺时针方向配置。例如，90 度是右舷，270 度是左舷。

- 4 选择 **完成**。

调节风向角过滤器

您应调节此设置，以更改风速变化显示的响应性。

- 1 在船用仪器上，从 NMEA 2000 设置选择设备名称 (GND 10)。
- 2 选择 **风向角过滤器**。
- 3 选择选项：
 - 选择 **关闭**以关闭过滤器，使显示对风向角的变化作出最灵敏的响应。
 - 选择 **开启**并调节值。选择更高的数值，增强显示对风向角的响应性，或选择更低的数值以减弱响应性。
 - 选择 **自动**以根据风况自动调节过滤器设置。
- 4 选择 **完成**。

调节风速过滤器

您应调节此设置，以更改风速变化显示的响应性。

- 1 在船用仪器上，从 NMEA 2000 设置选择设备名称 (GND 10)。
- 2 选择 **风速过滤器**。
- 3 选择选项：
 - 选择 **关闭**以关闭过滤器，使显示对风速的变化作出最灵敏的响应。
 - 选择 **开启**并调节值。选择更高的数值，增强显示对风速的响应性，或选择更低的数值以减弱响应性。
 - 选择 **自动**以根据风况自动调节过滤器设置。
- 4 选择 **完成**。

维护和存储

- 如果需要，使用温和的肥皂溶液清洁风况传感器，然后用清水冲洗干净。请勿使用洗涤剂或高压水。
- 如果长时间不使用，建议拆下风况传感器并将其存放在干燥位置。
- 如果长时间不使用，建议拆下 WSI 并将其存放在干燥位置。
- 存放风况传感器时，最好将其存储在有光照的位置。这可保持设备中电池的电量。
- 如果将风况传感器存放在黑暗位置，建议在每个季度的头一天更换电池。用于更换的电池可从当地 Garmin 经销商或 www.garmin.com 购买。

将风况传感器与 WSI 配对

将风况传感器与 WSI 配对之前，您必须已将 Garmin 船用仪器(例如 GMI 20)连接至 GND 10 所在的 NMEA 2000 网络。

此风况传感器出厂时已与 WSI 配对。仅当更换设备时，才必须将风况传感器与 WSI 配对。

- 1 拆下风况传感器上的电池盖。
- 2 使风况传感器与 WSI 相距 2 米 (6 英尺) 以内，然后按住电路板上的白色按钮，直至 LED 熄灭。
旧的配对信息将从风况传感器中清除。
- 3 在船用仪器上，从 NMEA 2000 设置选择 GND 10。
- 4 选择 **一般配置**。
- 5 输入“UP”(代表 un-pair (未配对))，然后选择 **完成**。
旧的配对信息将从 WSI 中清除。
- 6 使风况传感器与 WSI 相距 2 米 (6 英尺) 以内，按下 (但不是按住) 电路板上的白色按钮，然后观察 LED：
 - 如果 LED 闪烁两次后熄灭，则表示配对成功。

- 如果 LED 闪烁两次，然后再以约一秒钟的时长闪烁一次，则表示配对不成功。将设备移近 WSI 一些并重复此步骤，直至配对成功。

7 重新安装风况传感器上的电池盖。

规格

规格	值
安装后尺寸 (H×L)	345 毫米 (13.58 英寸) × 610 毫米 (24 英寸)
重量	350 克 (12.35 盎司)
工作温度	-20° 到 50°C (-4° 到 122°F)
存储温度	-0° 到 35°C (32° 到 95°F)
防水等级 (风传感器)	IEC 60529 IPX-6 (可防大浪)
防水等级 (WSI)	IEC 60529 IPX-0 (无特殊防护)
功耗 (WSI 和 GND 10)	1.1 W
12 VDC 时的一般电流消耗 (WSI 和 GND 10)	95 mA
风速范围	0.9 到 90 节 (0.9 到 50 米/秒)

Part Information

GPN:	190-01723-99
Description:	gWind Wireless Installation Instructions (ML Web)
Part Type:	Manuals / Printed Literature
Lifecycle Phase:	Production
Rev:	D ECO#117228

Item Attribution

Document Review Required:	
Item Notes:	
Preferred Rating:	
ESD Sensitive:	
Moisture Sensitive:	
Limited Shelf Life:	
Magnetic Sensitive:	