



The 'Qi' symbol is a trademark of the Wireless Power Consortium. Designed for Qi compliance.



FCC PART 15 DISCLAIMER: This device complies with Part 15 of the FCC Rules. Operation is subject to the following two conditions: (1) this device may not cause harmful interference, and (2) this device must accept any interference received, including interference that may cause undesired operation.

Customer Service 800-966-6546

MOTILE is a trademark of Walmart Apollo, LLC

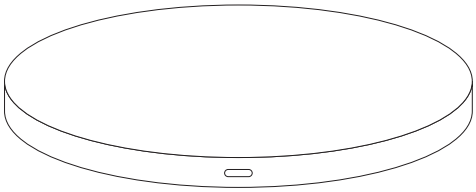


6 54680 38568 5

Made in China
Distributed By:
Walmart Apollo, LLC
Bentonville, AR 72716
Walmart.com

MOTILE™

USER MANUAL & SAFETY INSTRUCTIONS



38568

CHARGING PAD
Qi Certified | Fast Charge

blank inside cover

Who We Are.

MOTILE is a design-driven lifestyle brand of smart accessories.

We exist to simplify our people's lives and encourage them to actively explore and express their lifestyle aspirations.

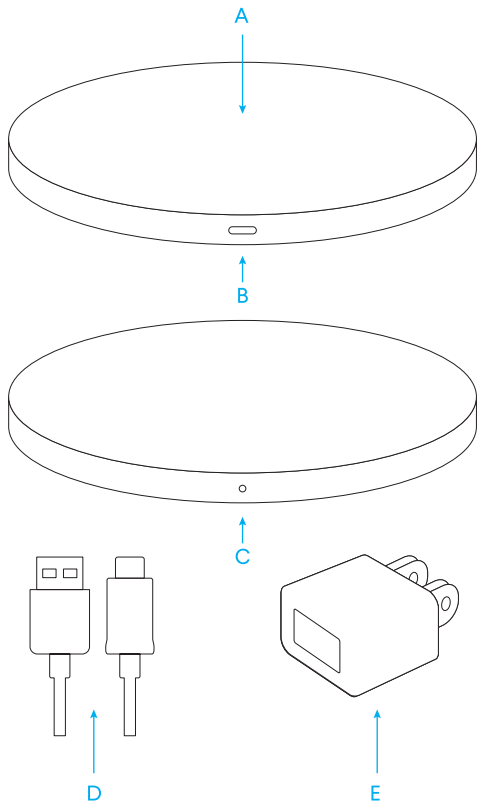
Our products marry form and function, taking inspiration from both the tech world and the fashion world to enhance our people's personal stories with thoughtful, unexpected, and empathetic solutions.

CHARGING PAD

Qi Certified | Fast Charge

Wirelessly charge your Qi enabled phone with our practical charging pad. The minimal aesthetic adds style to your surroundings and functionality to your everyday life.

PRODUCT DIAGRAM



A Soft Charging Pad
B Micro USB Port
C LED Indicator Light
D Micro USB to USB Cord
E Wall Charger

CHARGING YOUR DEVICE

1. Plug the USB end of the cord into the wall charger and the Micro USB end into the charging pad. Place it on a sturdy and flat surface, such as a desk or table.
2. Place the Qi enabled device directly onto the charging pad. Ensure device is centered on charging pad.
3. The LED light will turn blue when plugged in and turn green when ready for charging. The LED light will stay blue when charging.
4. Charging time will depend on the type of device. Your phone will show the charging icon to indicate charging status. You may remove your device from the charging pad at any time during the charging process.
5. When charging is complete, the LED indicator light will go off. Remove the device from the charging pad.

*Make sure your device is Qi enabled

* If the case is metal, remove prior to charging

* If your phone is covered with a thick protective sleeve/case, it may affect the wireless charging performance.

CLEANING CARE


If the charging pad needs cleaning, wipe it using a soft, dry cloth. Never use any abrasive cleaning agents. Periodically, wipe off any accumulated dust.

COMPATIBILITY

Compatible with iPhone 8, iPhone 8 Plus, iPhone X, Samsung Galaxy S8/S8 Plus, S7/S7 Edge, Note 8, and other Qi enabled devices.

SPECIFICATIONS

1. 7.5/10W Wireless Fast Charging Pad
2. Input: 5V-2A | 9V-1.67A
3. Output: 5V-1A | 9V-1.1A
4. Transmission Distance: ≤8mm
5. Conversion Rate: ≥73%
6. Product Dimensions: 3.9 in x 3.9 in x .394 in (99 mm x 99 mm x 10 mm)
Cord Length: 39.4 in (1 m)



IMPORTANT SAFETY INSTRUCTIONS

FAILURE TO FOLLOW THE SAFETY INSTRUCTIONS CAN LEAD TO FIRE, ELECTRICAL SHOCK, PERSONAL INJURY OR PROPERTY DAMAGE OR DAMAGE TO THIS PRODUCT. MAKE SURE TO READ THE ENTIRE MANUAL.

1. Do not use this unit for anything other than its intended use.
2. Keep the unit away from heat source and direct sunlight.
3. Do not expose the unit to extremely high or low temperatures.
4. Use the product in a location with a temperature of 32°F (0°C) - 95°F (35°C).
5. Do not let the unit come in contact with water or any other liquid. If the unit becomes wet, immediately unplug it from the power source.
6. Do not handle the unit, USB cord or wall charger with wet hands.
7. Do not let the dust or other things accumulate on the product and the wall charger.
8. Do not use the unit if it has been dropped or damaged in any way.
9. Repairs to electrical equipment should only be performed by a qualified electrician. Improper repairs may place the user at serious risk.
10. If you have an electrical device, such as a pacemaker, consult a physician before using this product.
11. Do not place magnetic cards or similar items near this product.
12. Use the specified power source and voltage.
13. Do not use a voltage converter/travel adapter.
14. Make sure the wall charger is inserted all the way into the electrical outlet. When not in use, unplug the wall charger.
15. Place the unit on a sturdy and flat surface during charging.
16. Keep the unit out of reach of children.

FCC STATEMENT

This equipment has been tested and found to comply with the limits for a WPC device, pursuant to Part 18 of the FCC Rules. These limits are designed to provide reasonable protection against harmful interference in a residential installation.

"CAUTION: Changes or modifications not expressly approved by the party responsible for compliance could void the user's authority to operate the product."

"NOTE: This equipment has been tested and found to comply with the limits for a wireless power charger, pursuant to Part 18 of the FCC Rules. These limits are designed to provide reasonable protection against harmful interference in a residential installation. This equipment generates, uses and can radiate radio frequency energy and, if not installed and used in accordance with the instructions, may cause harmful interference to radio communications. However, there is no guarantee that interference will not occur in a particular installation. If this equipment does cause harmful interference to radio or television reception, which can be determined by turning the equipment off and on, the user is encouraged to try to correct the interference by one or more of the following measures:

- Reorient or relocate the receiving antenna.
- Increase the separation between the equipment and receiver.
- Connect the equipment into an outlet on a circuit different from that to which the receiver is connected.
- Consult the dealer or an experienced radio/TV technician for help."

blank

blank

blank