



GATEKEEPER[®]
SYSTEMS

Solar Transmitter (D-9000)
User Manual



INSTRUCTION TO THE USER

This equipment has been tested and found to comply with the limits for a class B digital device, pursuant to part 15 of the FCC rules. These limits are designed to provide reasonable protection against harmful interference in a typical installation. This equipment generates, uses and can radiate radio frequency energy and if not installed and used in accordance with the instructions, may cause harmful interference to radio communications. However, there is no guarantee that interference will not occur in a particular installation. If this equipment does cause harmful interference to radio or television reception, which can be determined by turning the equipment off and on, the user is encouraged to try to correct the interference by one or more of the following measures:

- Reorient or relocate the receiving antenna on the device experiencing the interference
- Increase the separation between the equipment and receiver.
- Connect the equipment into an outlet on a circuit different from that to which this device is connected
- Consult the dealer or experienced technician for the device experiencing the interference

In order to maintain compliance with FCC regulations, no changes can be made to this equipment without the approval of Gatekeeper Systems, Inc. The user is cautioned that any changes or modifications made to the equipment without the approval of Gatekeeper Systems, Inc. could void the user's authority to operate this equipment.

Warning: Changes or modifications to this unit not expressly approved by the party responsible for compliance could void the user authority to operate the equipment.

This device complies with Part 15 of the FCC Rules. Operation is subject to the following two conditions: (1) this device may not cause harmful interference, and (2) this device must accept any interference received, including interference that may cause undesired operation.

IC / ISED statements:

This device contains licence-exempt transmitter(s)/receiver(s) that comply with Innovation, Science and Economic Development Canada's licence-exempt RSS(s).

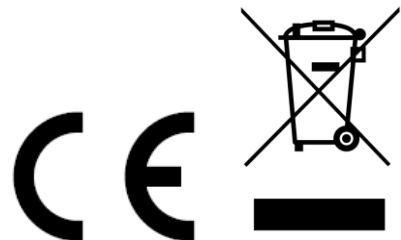
Operation is subject to the following two conditions:

- 1. This device may not cause interference.*
- 2. This device must accept any interference, including interference that may cause undesired operation of the device.*

L'émetteur/récepteur exempt de licence contenu dans le présent appareil est conforme aux CNR d'Innovation, Sciences et Développement économique Canada applicables aux appareils radio exempts de licence. L'exploitation est autorisée aux deux conditions suivantes :

- 1. L'appareil ne doit pas produire de brouillage;*
- 2. L'appareil doit accepter tout brouillage radioélectrique subi, même si le brouillage est susceptible d'en compromettre le fonctionnement.*

The suggested ambient temperature is around 0°C to 40°C
The operating frequency for D-9000 is 2403-2478MHz



1. Solar Transmitter:

The Gatekeeper Systems D-9000 Solar Transmitter contains a 2.4GHz transceivers used to send commands to the Gatekeeper Systems wheels.

2. Solar Transmitter details:

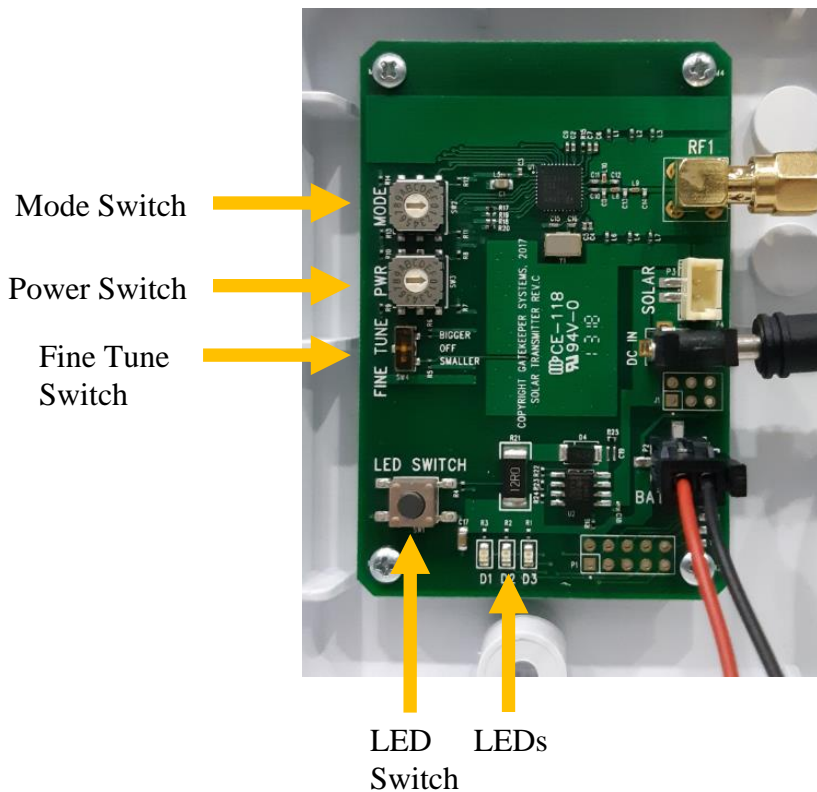


Table 1: Mode Switch Definitions

0	Lock, Channel A
1	Unlock, Channel A
2-F	No Transmit

Table 2: Power and Fine Tune switch definitions

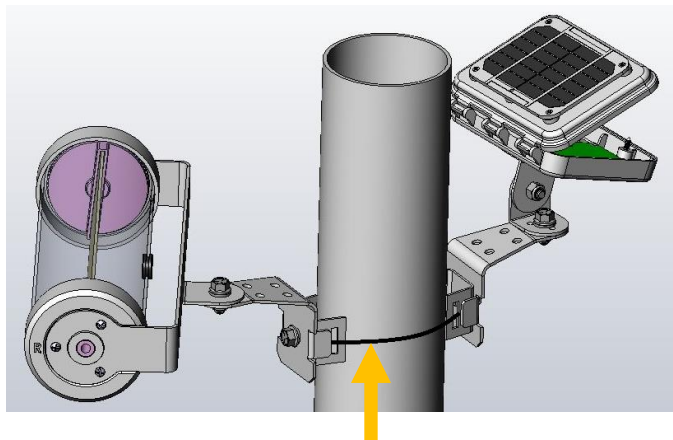
Power Rotary Switch	Transmit Power	Threshold for Wheel		
		Fine Tune Smaller	Fine Tune Off	Fine Tune Bigger
0	-55dBm	-78dBm	-79dBm	-80dBm
1	-26dBm	-78dBm	-79dBm	-80dBm
2	-24dBm	-78dBm	-79dBm	-80dBm
3	-22dBm	-78dBm	-79dBm	-80dBm
4	-20dBm	-78dBm	-79dBm	-80dBm
5	-18dBm	-78dBm	-79dBm	-80dBm
6	-16dBm	-78dBm	-79dBm	-80dBm
7	-14dBm	-78dBm	-79dBm	-80dBm
8	-12dBm	-78dBm	-79dBm	-80dBm
9	-10dBm	-78dBm	-79dBm	-80dBm
A	-8dBm	-78dBm	-79dBm	-80dBm
B	-6dBm	-78dBm	-79dBm	-80dBm
C	-4dBm	-78dBm	-79dBm	-80dBm
D	-2dBm	-78dBm	-79dBm	-80dBm
E	-0dBm	-78dBm	-79dBm	-80dBm
F	1dBm	-78dBm	-79dBm	-80dBm

Table 3: LED definitions

Green on solid	System powered up
Green off	No power to system
Yellow Off	Operating from Solar Panel & Battery OK
Yellow on solid	Operating from Battery (no power from Solar Panel)
Yellow single flash	Operating from Solar Panel & Battery Fault
Red on Solid	System / HW fault (not battery)
Red off	No fault
Red single flash	Mode switch setting is "No transmit"

Installation

Mount the arm brackets to a light pole by a metal strap with a bolt



Metal Strap

Contacting Gatekeeper Systems

For more information about the Long Range Transmitter 2 and troubleshooting, to order parts or report an issue, contact the Gatekeeper Systems Inc. regional Customer Support office nearest to your location.

Hong Kong

Gatekeeper Systems (HK), Ltd.
36/F, Tower 2, Times Square
1 Matheson Street, Causeway Bay, Hong Kong

USA

Gatekeeper Systems, Inc.
90 Icon
Foothill Ranch, CA 92610 USA
(888) 808-9433

Canada

Gatekeeper Systems Canada, Ltd.
272 Galaxy Boulevard
Etobicoke, Ontario
Canada
M9W 5R8
(888) 525-3564