

# Installation Instructions

# Gas Dryer



Questions on Installation? Call: 1-800-GEARES (US)  
or Visit our Web site at: [www.GEAppliances.com](http://www.GEAppliances.com) (US)

## BEFORE YOU BEGIN

Read these instructions completely and carefully.

- **IMPORTANT-** Save these instructions for local inspector's use.
- **IMPORTANT-** Observe all governing codes and ordinances.
- **Note to Installer** - Be sure to leave these instructions with the customer.
- **Note to Customer** - Keep these instructions with your *Use & Care Book* for future reference.
- Before the old dryer is removed from service or discarded, remove the dryer door.
- Service information and the wiring diagram are located in the control console.
- Do not allow children on or in the appliance. Close supervision of children is necessary when the appliance is used near children.
- Install the dryer where the temperature is above 50°F for satisfactory operation of the dryer control system.

## WARNING



### Fire Hazard

#### • California Safe Drinking Water and Toxic Enforcement Act

This act requires the governor of California to publish a list of substances known to the state to cause cancer, birth defects or other reproductive harm and requires businesses to warn customers of potential exposure to such substances. Gas appliances can cause minor exposure to four of these substances, namely benzene, carbon monoxide, formaldehyde and soot, caused primarily by the incomplete combustion of natural gas or LP fuels. Properly adjusted dryers will minimize incomplete combustion. Exposure to these substances can be minimized further by properly venting the dryer to the outdoors.


- This dryer must be exhausted to the outdoors.
- Use only rigid metal 4" diameter ductwork inside the dryer cabinet and use only UL approved transition ducting between the dryer and the home duct.
- DO NOT install a clothes dryer with flexible plastic ducting materials. If flexible metal (semi-rigid or foil-type) duct is installed, it must be UL listed and installed in accordance with the instructions found in "Connecting The Dryer To House Vent" on pages 4-5 of this manual. Flexible venting materials are known to collapse, be easily crushed, and trap lint. These conditions will obstruct dryer airflow and increase the risk of fire.
- Do not install or store this appliance in any location where it could be exposed to water and or weather.
- To reduce the risk of severe injury or death, follow all installation instructions.
- Save these instructions. (*Installers: Be sure to leave these instructions with the customer.*)

- To reduce the risk of severe injury or death, follow all installation instructions.
- Clothes dryer installation must be performed by a qualified installer.
- Install the clothes dryer according to these instructions and in accordance with local codes.

### In the state of Massachusetts:

Installation must be performed by a qualified or licensed contractor, plumber or gasfitter qualified or licensed by the state.

- When using ball-type gas shut-off valves, they shall be the T-handle type.
- A flexible gas connector, when used, must not exceed 3 feet.

 This is the safety alert symbol. This symbol alerts you to potential hazards that can kill or hurt you and others. All safety messages will follow the safety alert symbol and the word "DANGER" "WARNING" or "CAUTION". These words are defined as:

 **DANGER** Indicates a hazardous situation which, if not avoided, **will** result in death or serious injury.

 **WARNING** Indicates a hazardous situation which, if not avoided, **could** result in death or serious injury.

 **CAUTION** Indicates a hazardous situation which, if not avoided, **could** result in minor or moderate injury.

## WARNING



### Fire Hazard

- No washer can completely remove oil.
- DO NOT dry anything that has ever had any type of oil on it (including cooking oils).
- Items containing foam, rubber or plastic must be dried on a clothesline or by using an Air Dry cycle.
- Failure to follow this instructions can result on death or fire



### Electrical Shock Hazard

- Plug into a grounded 3 prong outlet.
- DO NOT remove ground prong.
- DO NOT use an adapter.
- DO NOT use an extension cord.
- Failure to do so can result in death, fire, or electrical shock.



### Explosion Hazard

- Keep flammable materials and vapors, such as gasoline, away from dryer.
- Place dryer at least 18 inches (46 cm) above the floor for a garage installation.
- Failure to do so can result in death, explosion, or fire.



- DO NOT allow children on or in the appliance. Close supervision of children is necessary when the appliance is used near children.

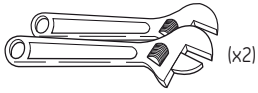
**NOTE:** Installation and service of this dryer requires basic mechanical and electrical skills. It is your responsibility to contact a qualified installer to make the electrical connections.

# Installation Instructions

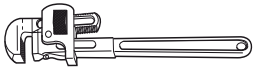
## Minimum Clearance in Alcove or Closet Installation

Minimum clearance to combustible surfaces and for air opening are: 0 in. clearance both sides, 3 in. front, 7 in. top and 3 in. rear. Consideration must be given to provide adequate clearance for installation and service

### TOOLS YOU WILL NEED



10" ADJUSTABLE WRENCHES



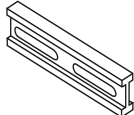
8" PIPE WRENCH



SLIP JOINT PLIERS



FLAT BLADE SCREWDRIVER

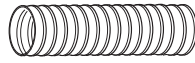


LEVEL

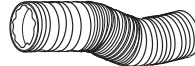
### MATERIALS YOU WILL NEED



4" DIA. METAL DUCT  
(RECOMMENDED)



4" DIA. FLEXIBLE METAL (SEMI-RIGID)  
UL LISTED TRANSITION DUCT  
(IF NEEDED)  
KIT WX08X10077 (INCLUDES 2 ELBOWS)



4" DIA. FLEXIBLE METAL (FOIL TYPE)  
UL LISTED TRANSITION DUCT  
(IF NEEDED.)



4" DIA. METAL  
ELBOW



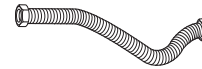
4" DUCT  
CLAMPS (2)  
OR  
4" SPRING  
CLAMPS (2)



EXHAUST  
HOOD



UL-APPROVED  
FOIL TAPE



FLEXIBLE GAS LINE CONNECTOR



PIPE  
COMPOUND



SAFETY GLASSES



SOAP SOLUTION  
FOR LEAK DETECTION



4" COVER PLATE  
(KIT WE1M454)  
(IF NEEDED)



GLOVES

- Step 1 Verify your gas installation (see section 2).
- Step 2 Prepare the area and exhaust for installation of new dryer (see section 1).
- Step 3 Check and ensure the existing external exhaust is clean (see section 1) and meets attached installation specifications (see section 6).
- Step 4 Remove the foam shipping pads (see section 1).
- Step 5 Move the dryer to the desired location.
- Step 6 Level your dryer (see section 8).
- Step 7 Connect the gas supply (see section 3) and check for leaks (see section 4).
- Step 8 Connect the external exhaust (see section 7).
- Step 9 Connect the power supply (see section 5).
- Step 10 Check the operation of the power supply, gas connections, and venting.
- Step 11 Place the owners manual and the installation instructions in a location where they will be noticed by the owner.

For alcove or closet installation, see section 9.  
For bathroom or bedroom installation, see section 10.  
For mobile or manufactured home, see section 11.  
For garage installation, see section 12.  
For side or bottom exhaust, see section 13.  
For connecting inlet hoses, see section 14.  
For door reversing instructions, see section 15

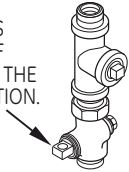
# Installation Instructions

## 1 PREPARING FOR INSTALLATION OF NEW DRYER

**TIP:** Install your dryer before installing your washer. This will allow better access when installing dryer exhaust.

### DISCONNECTING GAS

TURN GAS SHUT-OFF VALVE TO THE OFF POSITION.



DISCONNECT AND DISCARD OLD FLEXIBLE GAS CONNECTOR AND OLD DUCTING MATERIAL. REPLACE WITH NEW CSA(AGA) APPROVED FLEXIBLE GAS LINE CONNECTOR AND UL APPROVED TRANSITION DUCT.



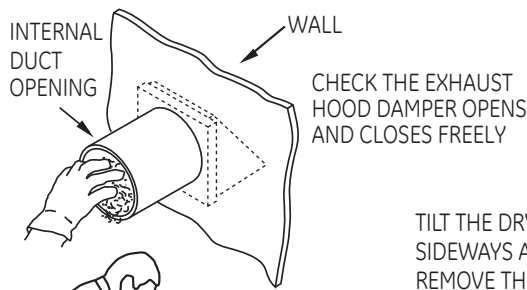
## WARNING

### NEVER REUSE OLD FLEXIBLE CONNECTORS.

The use of old flexible connectors can cause leaks and personal injury. Always use new flexible connectors when installing gas appliances.

## REMOVING LINT FROM WALL EXHAUST OPENING

- Remove and discard existing plastic or metal foil transition duct and replace with UL listed transition duct.



TILT THE DRYER SIDWAYS AND REMOVE THE FOAM SHIPPING PADS BY PULLING AT THE SIDES AND BREAKING THEM AWAY FROM THE DRYER LEGS. BE SURE TO REMOVE ALL OF THE FOAM PIECES AROUND THE LEGS.



## ADJUSTING FOR ELEVATION

- Gas clothes dryers input ratings are based on sea level operation and need not be adjusted for operation at or below 2000 ft. elevation. For operation at elevations above 2000 ft., input ratings should be reduced at a rate of 4 percent for each 1000 ft. above sea level.
- Installation must conform to local codes and ordinances or, in their absence, the NATIONAL FUEL GAS CODE, ANSI Z223.

## 2 GAS REQUIREMENTS

## WARNING



Fire Hazard

- The installation must conform with local codes, or in the absence of local codes, with the National Fuel Gas Code, ANSI Z223.1/NFPA 54, or the Natural Gas and Propane Installation Code, CSA B149.1.
- This gas dryer is equipped with a Valve & Burner Assembly for use only with natural gas. Using a conversion kit WE25M87 your local service organization can convert this dryer for use with propane (LP) gas. ALL CONVERSIONS MUST BE MADE BY PROPERLY TRAINED AND QUALIFIED PERSONNEL AND IN ACCORDANCE WITH LOCAL CODES AND ORDINANCE REQUIREMENTS.
- The dryer must be disconnected from the gas supply piping system during any pressure testing of that system at a test pressure in excess of 0.5 PSI (3.4 KPa).
- The dryer must be isolated from the gas supply piping system by closing the equipment shut-off valve during any pressure testing of the gas supply piping of test pressure equal to or less than 0.5 PSI (3.4 KPa).

## WARNING

Use a new CSA International approved flexible gas supply line.

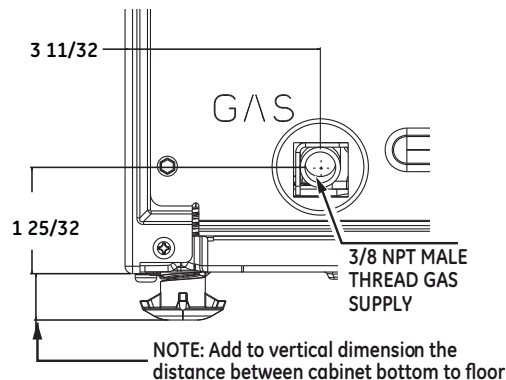


Explosion Hazard

Never reuse old flexible connectors.

- Install a shut-off valve.
- Securely tighten all gas connections.
- If connected to LP gas, have a qualified person make sure gas pressure does not exceed 13" water column.
- Examples of a qualified person include: licensed heating personnel, authorized gas company personnel, and authorized service personnel.
- Failure to do so can result in death, explosion, or fire.

## DRYER GAS SUPPLY CONNECTION



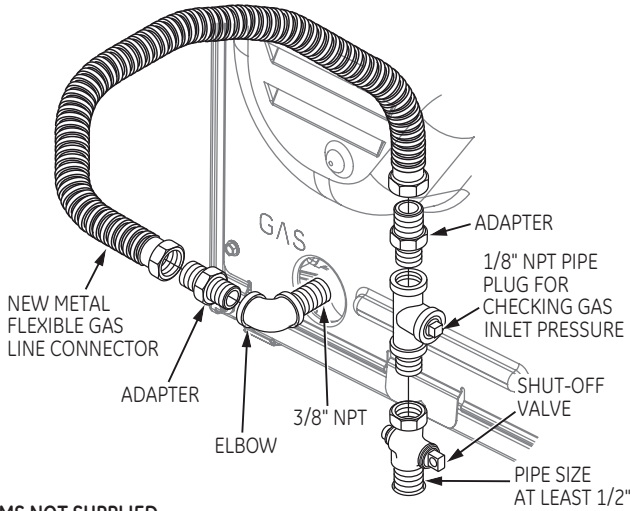
## GAS SUPPLY

- A 1/8 in. National Pipe Taper thread plugged tapping, accessible for test gauge connection, must be installed immediately upstream of the gas supply connection to the dryer. Contact your local gas utility should you have questions on the installation of the plugged tapping.
- Supply line is to be 1/2 in. rigid pipe and equipped with an accessible shut-off within 6 ft. of, and in the same room with the dryer.
- Use pipe thread sealer compound appropriate for natural or LP gas or use Teflon tape.
- Connect flexible metal connector to dryer and gas supply.
- Open shut-off valve.
- You must use with this dryer a flexible metal connector (listed connector ANSI Z21.24 / CSA 6.10). The length of the connect shall not exceed 3 ft.

# Installation Instructions

## 3 RECONNECTING GAS

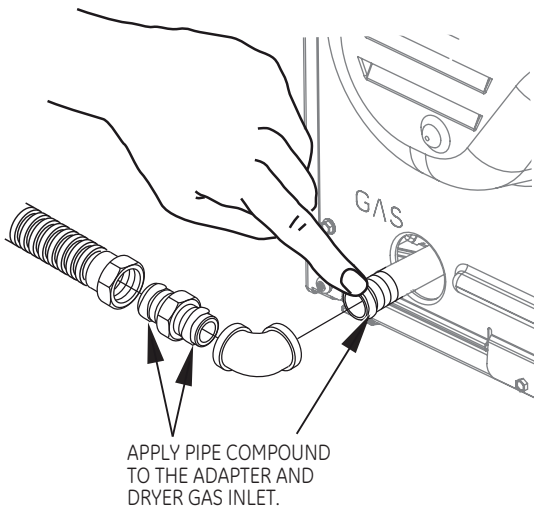
Listed connector ANSI Z21.24 / CSA 6.10



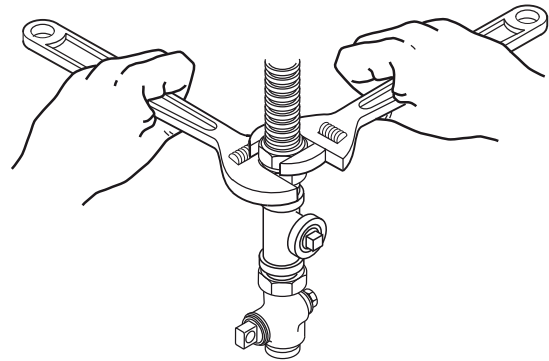
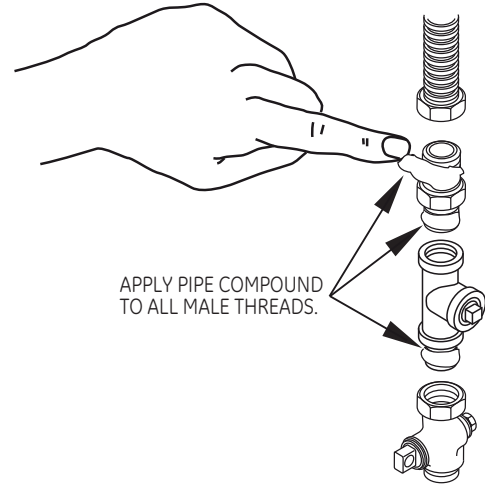
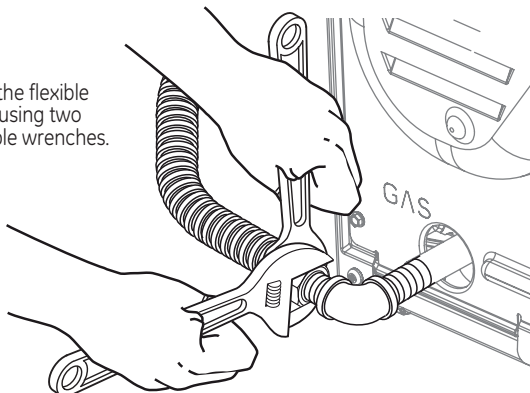
### ITEMS NOT SUPPLIED

NOTE: The connector and fittings are designed for use only on the original installation and are not to be reused for another appliance or at another location. Keep flare end of adaptor free of grease, oil and thread sealant.

**CAUTION:** Use adaptors as shown. Connector nuts must not be connected directly to pipe threads.



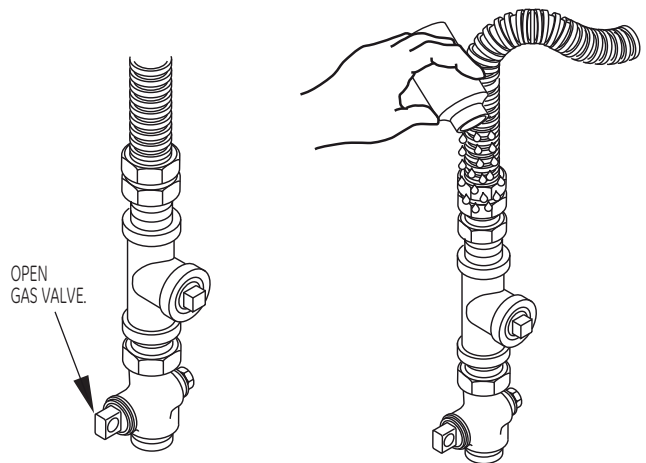
Tighten the flexible gas line using two adjustable wrenches.



Tighten all connections using two adjustable wrenches. **Do not overtorque gas connections!**

## 4 LEAK TEST

**! WARNING NEVER USE AN OPEN FLAME TO TEST FOR GAS LEAKS.**



Check all connections for leaks with soapy solution or equivalent. Apply soap solution. Leak test solution must not contain ammonia which could cause damage to the brass fittings. If leaks are found, close valve, retighten the joint, and repeat the soap test.



# Installation Instructions

## 5 ELECTRICAL CONNECTION INFORMATION

### **WARNING**

TO REDUCE THE RISK OF FIRE, ELECTRICAL SHOCK, AND PERSONAL INJURY:

- DO NOT USE AN EXTENSION CORD OR AN ADAPTER PLUG WITH THIS APPLIANCE.

The dryer must be electrically grounded in accordance with local codes, or in the absence of local codes, with the National Electrical Code, ANSI/NFPA 70 or Canadian Electrical Code, CSA C22.1.

### **ELECTRICAL REQUIREMENTS**

This appliance must be supplied with 120V, 60Hz, and connected to a properly grounded branch circuit, protected by a 15- or 20-amp circuit breaker or time delay fuse. If electrical supply provided does not meet the above specifications, it is recommended that a licensed electrician install an approved outlet.



### **WARNING**

Electrical Shock Hazard

Plug into a grounded 3 prong outlet.

DO NOT remove ground prong.

DO NOT use an adapter.

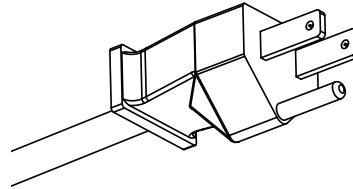
DO NOT use an extension cord.

Failure to do so can result in death, fire, or electrical shock.

### **WARNING**

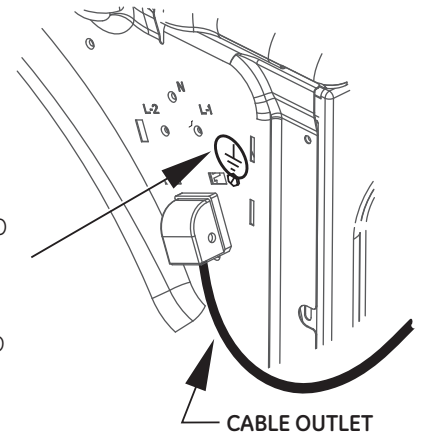
THIS DRYER IS EQUIPPED WITH A THREE-PRONG (GROUNDING) PLUG FOR YOUR PROTECTION AGAINST SHOCK HAZARD AND SHOULD BE PLUGGED DIRECTLY INTO A PROPERLY GROUNDED THREE-PRONG RECEPTACLE. DO NOT CUT OR REMOVE THE GROUNDING PRONG FROM THIS PLUG.

## 5 ELECTRICAL CONNECTION INFORMATION



ENSURE PROPER GROUND EXISTS BEFORE USE

IF LOCAL CODES PERMIT, AN EXTERNAL GROUND WIRE (NOT PROVIDED), WHICH MEETS LOCAL CODES, MAY BE ADDED BY ATTACHING TO THE GREEN GROUND SCREW ON THE REAR OF THE DRYER, AND TO A GROUNDED METAL COLD WATER PIPE OR OTHER ESTABLISHED GROUND.



## 6 EXHAUST INFORMATION

### **WARNING**

IN CANADA AND THE UNITED STATES, THE REQUIRED EXHAUST DUCT DIAMETER IS 4 in (102mm). DO NOT USE DUCT LONGER THAN SPECIFIED IN THE EXHAUST LENGTH TABLE.

Using exhaust longer than specified length will:

- Increase the drying times and the energy cost.
- Reduce the dryer life.
- Accumulate lint, creating a potential fire hazard.

**The correct exhaust installation is YOUR RESPONSIBILITY. Problems due to incorrect installation are not covered by the warranty.**

Remove and discard existing plastic or metal foil transition duct and replace with UL listed transition duct.

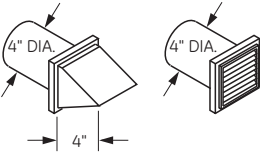
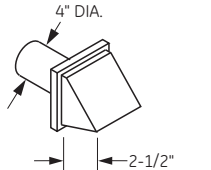
The **MAXIMUM ALLOWABLE** duct length and number of bends of the exhaust system depends upon the type of duct, number of turns, the type of exhaust hood (wall cap), and all conditions noted below. The maximum duct length for rigid metal duct is shown in the table below.

# Installation Instructions

## 6 EXHAUST INFORMATION (cont.)

### NORMAL VENT

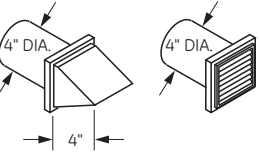
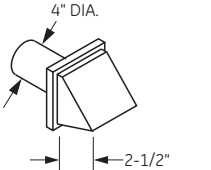
#### EXHAUST LENGTH

RECOMMENDED MAXIMUM LENGTH		
Exhaust Hood Types		
Recommended	Use only for short run installations	
		

No. of 90° Elbows	Rigid Metal	Rigid Metal
0	90 Feet	60 Feet
1	60 Feet	45 Feet
2	45 Feet	35 Feet
3	35 Feet	25 Feet
4	25 Feet	15 Feet

### LONG VENT

#### EXHAUST LENGTH

RECOMMENDED MAXIMUM LENGTH		
Exhaust Hood Types		
Recommended	Use only for short run installations	
		

No. of 90° Elbows	Rigid Metal	Rigid Metal
0	150 Feet	125 Feet
1	135 Feet	115 Feet
2	125 Feet	105 Feet
3	115 Feet	95 Feet
4	105 Feet	85 Feet
5	95 Feet	75 Feet

### ONLY THESE MODELS

GTDL740EDWW

GTDL740GDWW

For every extra 90° elbow, reduce the allowable vent system length by 10 ft.

Two 45° elbows will be treated like one 90° elbow.

For the side exhaust installations, add one 90° elbow to the chart.

The total vent system length includes all the straight portions and elbows of the system (transition duct included).

## 7 EXHAUST SYSTEM CHECK LIST

### HOOD OR WALL CAP

- Terminate in a manner to prevent back drafts or entry of birds or other wildlife.
- Termination should present minimal resistance to the exhaust air flow and should require little or no maintenance to prevent clogging
- Never install a screen in or over the exhaust duct. This could cause lint build up.
- Wall caps must be installed at least 12 in. above ground level or any other obstruction with the opening pointed down.

### SEPARATION OF TURNS

For best performance, separate all turns by at least 4 ft. of straight duct, including distance between last turn and exhaust hood.

### TURNS OTHER THAN 90°

- One turn of 45° or less may be ignored.
- Two 45° turns should be treated as one 90° turn.
- Each turn over 45° should be treated as one 90° turn.

### SEALING OF JOINTS

- All joints should be tight to avoid leaks. The male end of each section of duct must point away from the dryer.
- The duct shall not be assembled with screws or other fastening means that extend into the duct and catch lint.
- Duct joints can be made air and moisture-tight by wrapping the overlapped joints with duct tape.
- Horizontal runs should slope down toward the outdoors 1/4 inch per foot.

### INSULATION

Duct work that runs through an unheated area or is near air conditioning should be insulated to reduce condensation and lint build-up.

## PARTS AVAILABLE FROM LOCAL SERVICE ORGANIZATIONS

### • Rigid Metal Duct Components

WX8X63	4" x 1' Duct
WX8X64	4" x 2' Duct
WX8X51	4" Elbow
WX8X59	4" Aluminum Hood

### • Flexible Metal Duct Components

WX8X58	4" Clamps (2)
WX8X59	4" Aluminum Hood
WX08X10077	6' UL-Listed, Flexible Metal (Semi-Rigid) Duct, 2 Clamps, 2 Close Elbows
WE1M454	Cover rear exhaust opening

# Installation Instructions

## 7 EXHAUST CONNECTION



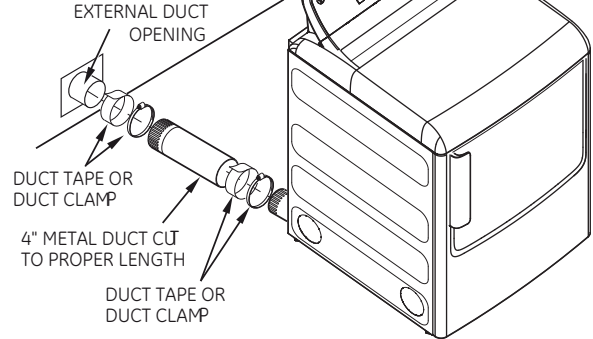
### TO REDUCE THE RISK OF FIRE OR PERSONAL INJURY:

- This clothes dryer must be exhausted to the outdoors.
- We recommend that you install your dryer before installing your washer. This will permit direct access for easier exhaust connection.
- Use only 4" rigid metal ducting for the home exhaust duct.
- Use only 4" rigid metal or UL-listed flexible metal (semi-rigid or foil-type) duct to connect the dryer to the home exhaust duct. It must be installed in accordance with the instructions found in "Connecting the Dryer to House Vent" on pages 4-5 of this manual.
- Do not terminate exhaust in a chimney, a wall, a ceiling, gas vent, crawl space, attic, under an enclosed floor, or in any other concealed space of a building. The accumulated could create a potential fire hazard
- Never terminate the exhaust into a common duct with a kitchen exhaust system. A combination of grease and lint could create a potential fire hazard.
- Do not use duct longer than specified in the exhaust length table. Longer ducts can accumulate lint, creating a potential fire hazard.
- Never install a screen in or over the exhaust duct. This will cause lint to accumulate, creating a potential fire hazard.
  - DO NOT use a plastic vent.
  - DO NOT use a metal foil vent.
  - No roof venting.
- Do not assemble ductwork with any fasteners that extend into the duct. These fasteners can accumulate lint, creating a potential fire hazard.
- Do not obstruct incoming or exhausted air.
- Provide an access for inspection and cleaning of the exhaust system, especially at turns and joints. Exhaust system shall be inspected and cleaned at least once a year. Failure to follow these instructions can result in death or fire.

**There are multiple installation options. Select the most appropriate method for your installation situation.**

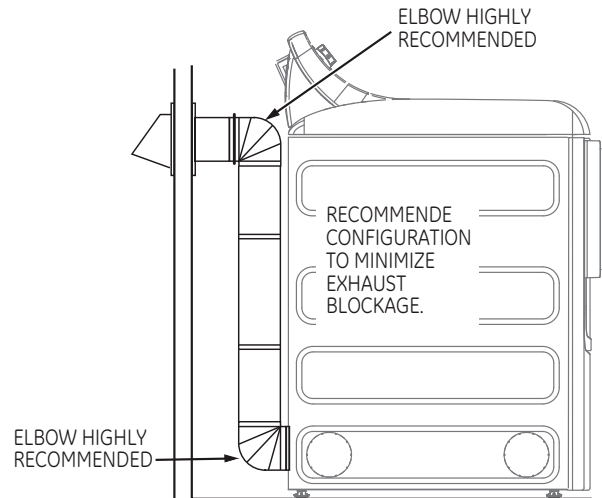
### STANDARD REAR EXHAUST (Vented at floor level)

For straight line installation, connect the dryer exhaust to the external exhaust hood using duct tape or clamp.



**NOTE: WE STRONGLY RECOMMEND SOLID METAL EXHAUST DUCTING. HOWEVER, IF FLEXIBLE DUCTING IS USED IT MUST BE UL-LISTED METAL, NOT PLASTIC.**

### STANDARD REAR EXHAUST (Vented above floor level)



**NOTE: ELBOWS WILL PREVENT DUCT KINKING AND COLLAPSING.**

### CONNECTING THE DRYER TO HOUSE VENT

#### RIGID METAL TRANSITION DUCT

- For best drying performance, a rigid metal transition duct is recommended.
- Rigid metal transition ducts reduce the risk of crushing and kinking.

#### UL-LISTED FLEXIBLE METAL (SEMI-RIGID) TRANSITION DUCT

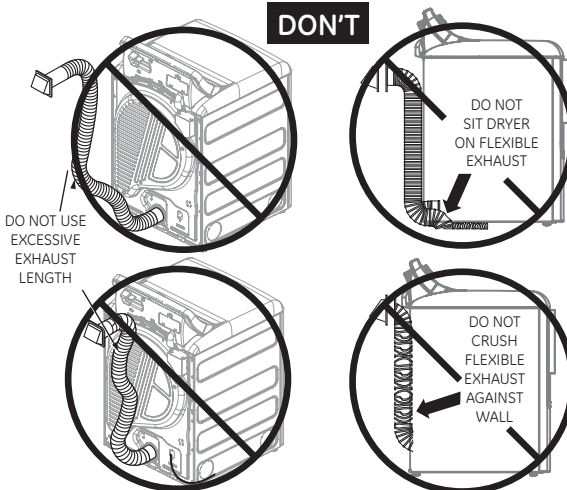
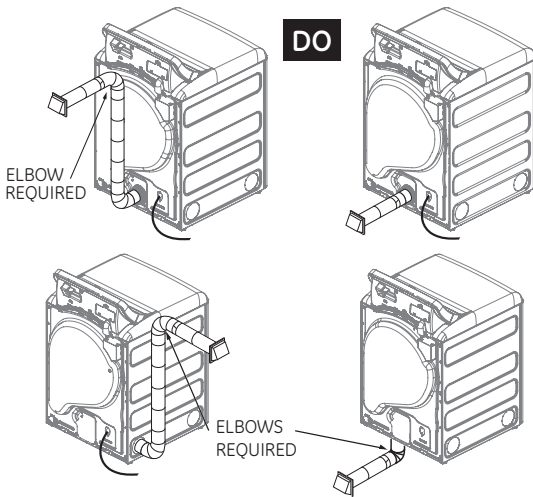
- If rigid metal duct cannot be used, then UL-listed flexible metal (semi-rigid) ducting can be used (Kit WX08X10077).
- Never install flexible metal duct in walls, ceilings, floors or other enclosed spaces.
- Total length of flexible metal duct should not exceed 8 feet (2.4m).

# Installation Instructions

- For many applications, installing elbows at both the dryer and the wall is highly recommended (see illustrations below). Elbows allow the dryer to sit close to the wall without kinking and or crushing the transition duct, maximizing drying performance.
- Avoid resting the duct on sharp objects.

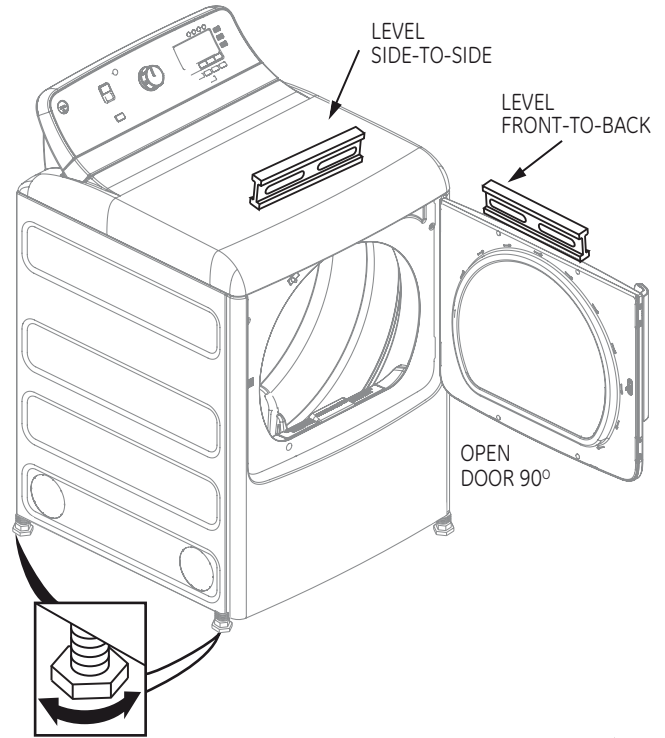
## UL-LISTED FLEXIBLE METAL (FOIL-TYPE) TRANSITION DUCT

- In special installations, it may be necessary to connect the dryer to the house vent using a flexible metal (foil-type) duct. A UL-listed flexible metal (foil-type) duct may be used **ONLY** in installations where rigid metal or flexible metal (semi-rigid) ducting cannot be used **AND** where a 4" diameter can be maintained throughout the entire length of the transition duct.
- In Canada and the United States, only the flexible metal (foil-type) ducts that comply with the "Outline for Clothes Dryer Transition Duct Subject 2158A" shall be used.
- Never install flexible metal duct in walls, ceilings, floors or other enclosed spaces.
- Total length of flexible metal duct should not exceed 8 feet (2.4m).
- Avoid resting the duct on sharp objects.
- For best drying performance:
  1. Slide one end of the duct over the clothes dryer outlet pipe.
  2. Secure the duct with a clamp.
  3. With the dryer in its permanent position, extend the duct to its full length. Allow 2" of duct to overlap the exhaust pipe. Cut off and remove excess duct. Keep the duct as straight as possible for maximum airflow.
  4. Secure the duct to the exhaust pipe with the other clamp.



## 8 LEVELING AND STABILIZING YOUR DRYER

Stand the dryer upright near the final location and adjust the 4 leveling legs, at the corners, to ensure that the dryer is level from side to side and front to rear.



4 LEVELING LEGS

## ⚠ WARNING Explosion Hazard

- Keep flammable materials and vapors, such as gasoline, away from dryer.
- Failure to do so can result in death, explosion, or fire.

## 9 ALCOVE OR CLOSET INSTALLATION

- If your dryer is approved for installation in an alcove or closet, it will be stated on a label on the dryer back.
- The dryer **MUST** be vented to the outdoors. See the **EXHAUST INFORMATION** sections 3 & 4.
- Minimum clearance between dryer cabinet and adjacent walls or other surfaces is: 0 in. either side, 3 in. front, 3 in. rear
- Consideration must be given to provide adequate clearance for installation and service
- Minimum vertical space from floor to overhead cabinets, ceiling, etc. is 52 in.
- Closet ventilation openings required: 2 louvers each 60 square in. (387 square cm), located 3 in. (7.6 cm) from top and bottom of door. If the closet contains both a washer and a dryer, doors must contain a minimum of 120 sq. in. of open area equally distributed.
- The dryer must be disconnected from the gas supply piping during pressure testing at pressures greater than ½ psi (3.5 kPa).
- A 1/8 inch NPT minimum plugged tapping, accessible for test gage connection, must be installed immediately upstream of the gas supply connection to the dryer.



# Installation Instructions

## 10 BATHROOM OR BEDROOM INSTALLATION

- The dryer MUST be vented to the outdoors. See EXHAUST INFORMATION section 6.
- The installation must conform with local codes or, in the absence of local codes, with the NATIONAL FUEL GAS CODE, ANSI Z223

## 11 MOBILE OR MANUFACTURED HOME INSTALLATION

- Installation must conform to the MANUFACTURED HOME CONSTRUCTION & SAFETY STANDARD, TITLE 24, PART 32-80 or, when such standard is not applicable, with AMERICAN NATIONAL STANDARD FOR MOBILE HOME, ANSI/NFPA NO. 501B.
- The dryer MUST be vented to the outdoors with the termination securely fastened to the mobile home structure. (See EXHAUST INFORMATION section 6).
- The vent MUST NOT be terminated beneath a mobile or manufactured home.
- The vent duct material MUST BE METAL.
- KIT 14-D346-33 MUST be used to attach the dryer securely to the structure.
- The vent MUST NOT be connected to any other duct, vent, or chimney.
- Do not use sheet metal screws or other fastening devices which extend into the interior of the exhaust vent.
- Provide an opening with a free area of at least 25 sq. in. for introduction of outside air into the dryer room.

## 12 GARAGE INSTALLATION (IF ALLOWED BY LOCAL CODES)

- Dryers installed in garages must be elevated 18 inches (46cm) above the floor.

## 13 DRYER EXHAUST TO LEFT OR BOTTOM CABINET



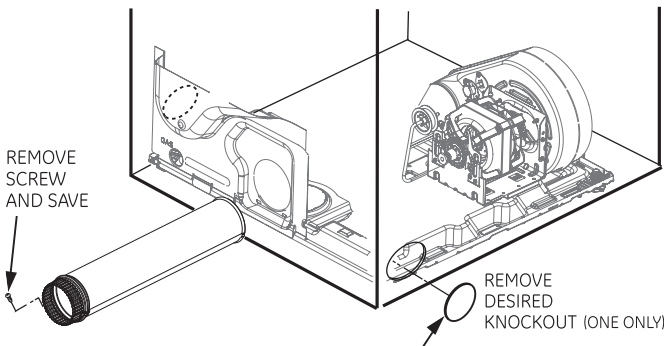
### WARNING

Disconnect dryer from electrical supply.  
Wear gloves and arm guards.  
Close the back opening with cover plate (Kit WE1M454).  
Failure to do so may result in electrical shock or lacerations.

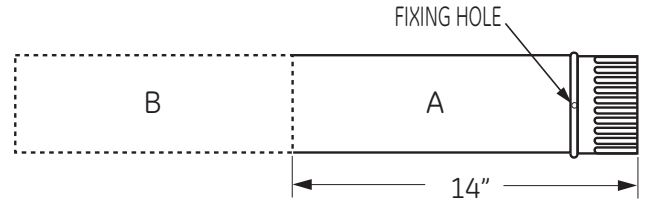
Electrical Shock Hazard

\* The internal elbow must be included in the total elbow count.

NOTE: the long vent model (GTDL740GDWW) is capable of rear and bottom venting only.

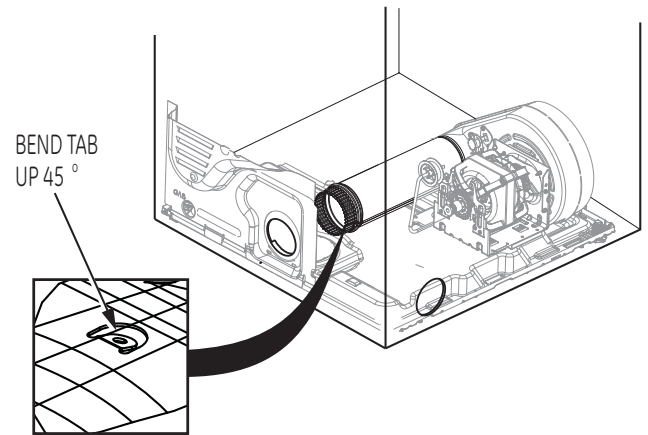


Detach and remove the bottom or left side knockout as desired. Remove the screw inside the dryer exhaust duct and save. Pull the duct out of the dryer. Protect sharp edges around the knockout and exhaust opening with the tape.



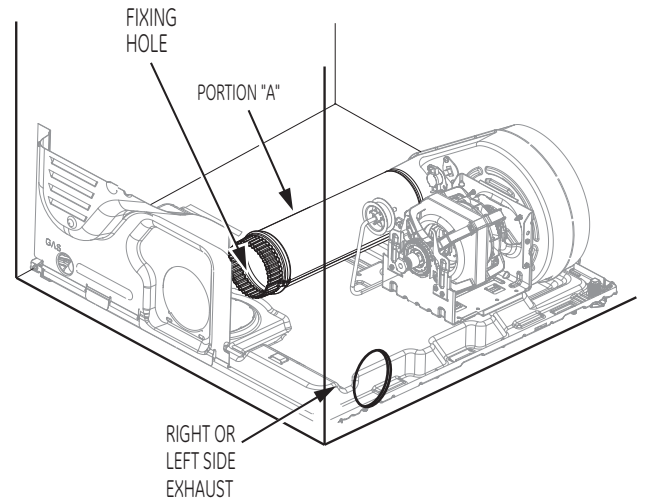
Cut the duct as shown and keep portion A.

## TAB LOCATION



Through the rear opening, locate the tab in the middle of the appliance base. Lift the tab to about 45° using a flat blade screwdriver.

## ADDING NEW DUCT



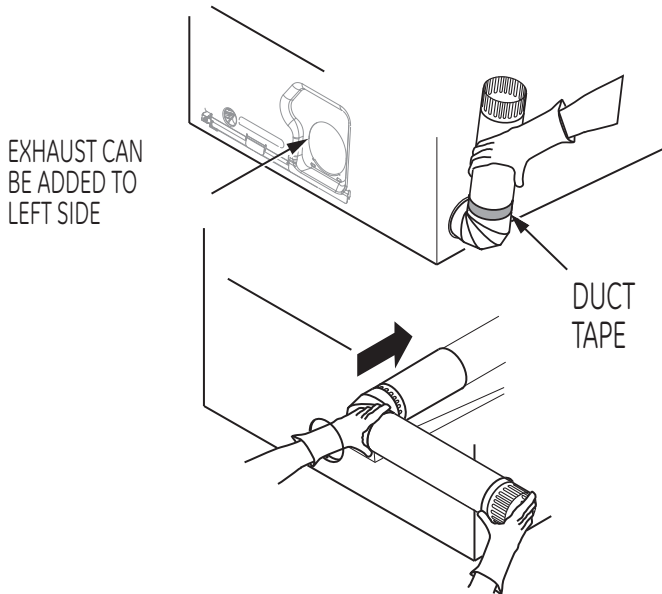
Reconnect the cut portion (A) of the duct to the blower housing. Make sure that the shortened duct is aligned with the tab in the base. Use the screw saved previously to secure the duct in place through the tab on the appliance base.

# Installation Instructions

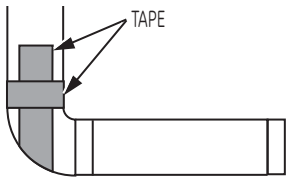
## ADDING ELBOW AND DUCT FOR EXHAUST TO LEFT SIDE OF CABINET

- Preassemble 4" elbow with 4" duct. Wrap duct tape around joint.
- Insert duct assembly, elbow first, through the side opening and connect the elbow to the dryer internal duct.

**CAUTION:** Be sure not to pull or damage the electrical wires inside the dryer when inserting the duct.



- Apply duct tape as shown on the joint between the dryer internal duct and the elbow.

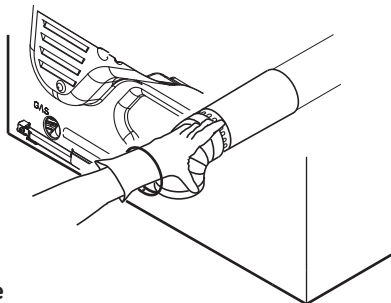


**CAUTION:** Use 4" rigid metal ducting only inside the dryer. Internal duct joints must be secured with tape, otherwise they may separate and cause a safety hazard.

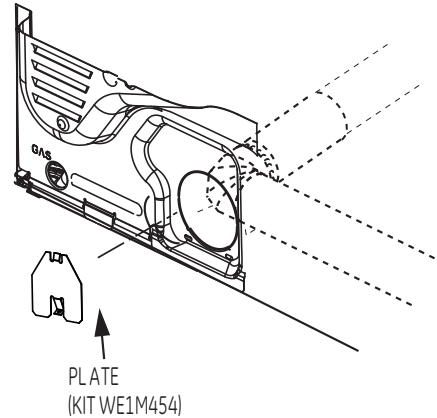
## ADDING ELBOW FOR EXHAUST THROUGH BOTTOM OF CABINET

- Insert the elbow through the rear opening and connect it to the dryer internal duct.
- Apply duct tape on the joint between the dryer internal duct and elbow, as shown on page 6.

**CAUTION:** Internal duct joints must be secured with tape, otherwise they may separate and cause a safety hazard.



## ADDING COVER PLATE TO REAR OF CABINET (SIDES AND BOTTOM EXHAUST)



Connect standard metal elbows and ducts to complete the exhaust system. Cover back opening with a plate (Kit WE1M454) available from your local service provider. Place dryer in final location.

**WARNING**  
NEVER LEAVE THE BACK OPENING WITHOUT THE PLATE.

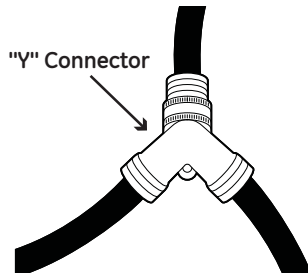
# Installation Instructions

## 14 CONNECTING INLET HOSES (on some models)

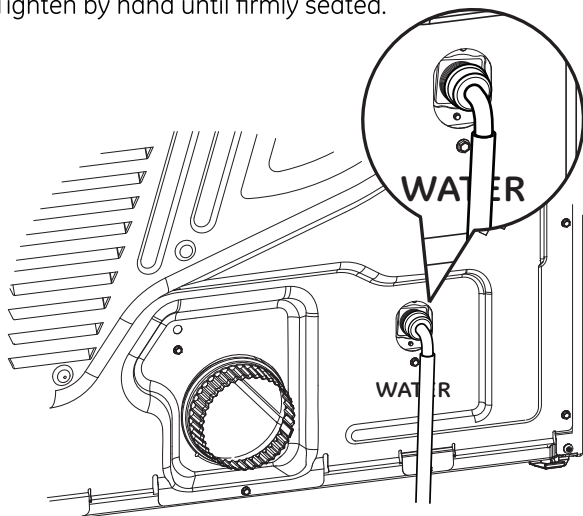
To produce steam, the dryer must connect to the cold water supply. Since the washer must also connect to the cold water, a "Y" connector is inserted to allow both inlet hoses to make that connection at the same time.

**NOTE:** Use the new inlet hoses provided; never use old hoses.

1. Turn the cold water faucet off. Remove the washer inlet hose from the washer fill valve connector (cold).
2. Ensure the rubber flat washer is in place and screw the female coupling of the short hose onto the washer fill valve connector. Tighten by hand until firmly seated.
3. Attach the female end of the "Y" connector to the male coupling of the short hose. Ensure the rubber flat washer is in place. Tighten by hand until firmly seated.



4. Insert the filter screen in the coupling of the washer's inlet hose. If a rubber flat washer is already in place remove it before installing the filter screen. Attach this coupling to one male end of the "Y" connector. Tighten by hand until firmly seated.
5. Ensure the rubber flat washer is in place and attach the dryer's long inlet hose to the other male end of the "Y" connector. Tighten by hand until firmly seated.
6. Ensure the rubber flat washer is in place and attach the other end of the dryer's long inlet hose to the fill valve connector at the bottom of the dryer back panel. Tighten by hand until firmly seated.

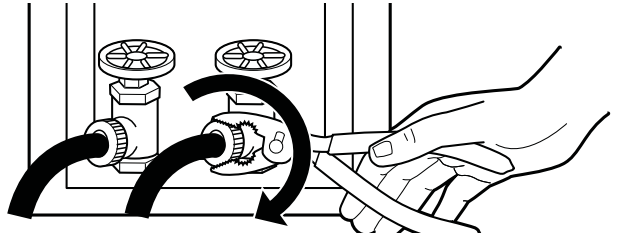


## 14 CONNECTING INLET HOSES (cont.)

7. Using pliers, tighten all the couplings with an additional two-thirds turn.

**NOTE:** Do not overtighten. Damage to the couplings may result.

8. Turn the water faucet on.



9. Check for leaks around the "Y" connector, faucet and hose couplings.

## WATER SUPPLY REQUIREMENTS

Hot and cold water faucets **MUST** be installed within 42 in. (107 cm) of your washer's water inlet. The faucets **MUST** be 3/4 in. (1.9 cm) garden hose-type so inlet hoses can be connected. Water pressure **MUST** be between 10 and 120 pounds per square inch. Your water department can advise you of your water pressure.

**NOTE:** A water softener is recommended to reduce buildup of scale inside the steam generator if the home water supply is very hard.

REGISTER YOUR NEW APPLIANCE TO RECEIVE ANY  
IMPORTANT PRODUCT NOTIFICATIONS.

Please go to [www.GEAppliances.com](http://www.GEAppliances.com) or mail in your  
Product Registration Card.

For questions on installation, call: 800.626.2000 (US) or  
800-561-3344 (Canada).

# Installation Instructions

## 15 ABOUT REVERSING THE DOOR SWING

### IMPORTANT NOTES:

- Read the instructions all the way through before starting.
- Handle parts carefully to avoid scratching paint.
- Set screws down by their related parts to avoid using them in the wrong places.
- Provide a non-scratching work surface for the door.
- Normal completion time to reverse the door swing is 30-60 minutes.

### IMPORTANT:

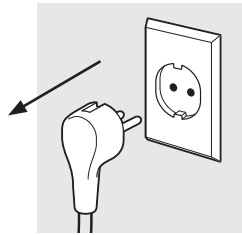
Once you begin, do not move the cabinet until door-swing reversal is completed. These instructions are for changing the hinges from the right side to the left side - if you ever want to switch them back to the right side, follow these same instructions and reverse all references to the left and right.

### Tools Needed

- Standard #2 Phillips Screwdriver
- Tape-tipped putty knife
- Small flat blade screwdriver

### Before you start

Unplug the dryer from its electrical outlet

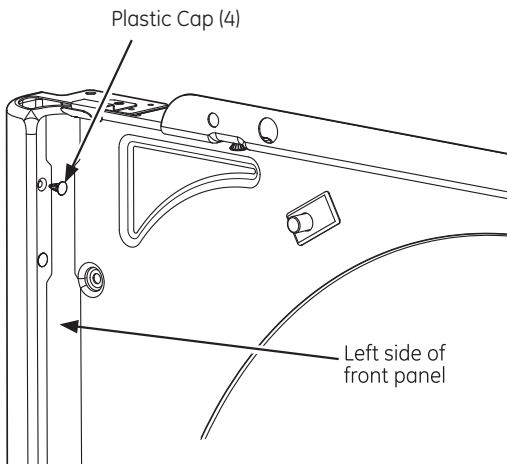


## REVERSING THE DOOR SWING

### SOLID DOOR MODELS:

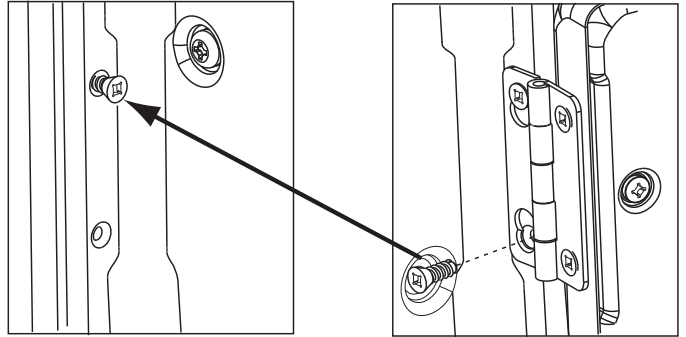
GTDP740ED0WW  
GTDP740GD0WW  
GTDL740ED0WW  
GTDL740GD0WW

- 1 Open the door to approximately 170 degrees. With a putty knife, remove the 4 plastic covers located along the left side of front panel and set them aside.

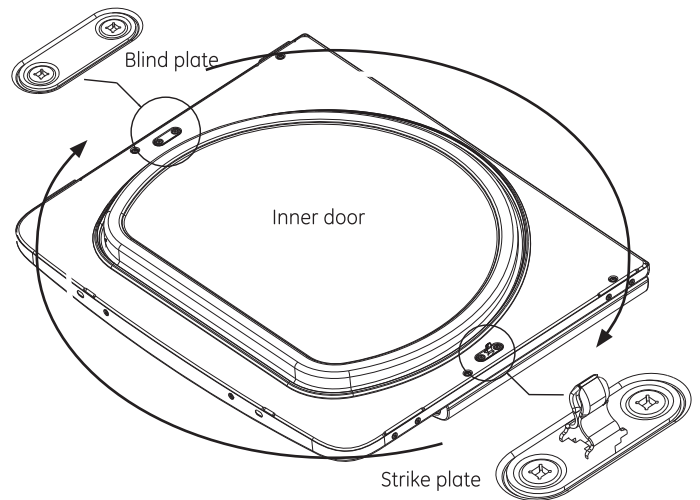


- 2 Remove the bottom screw from each hinge (right side) and partially insert them into the top left side hinge holes.

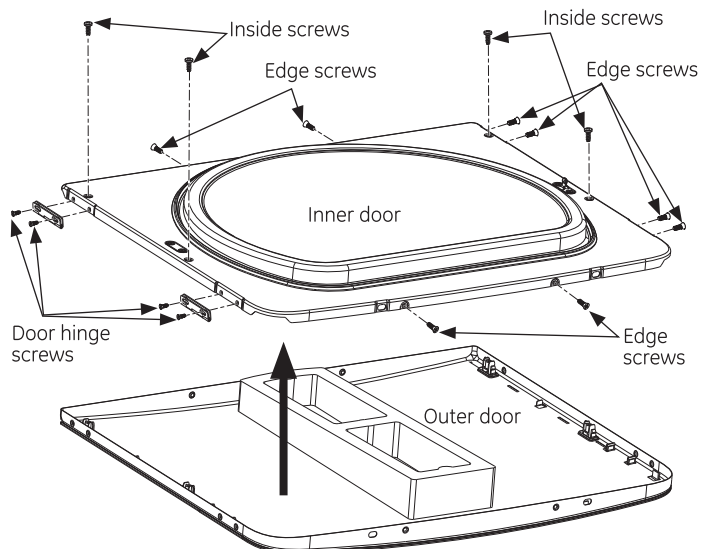
**NOTE:** All 4 front panel hinge screws will now be in the top hinge holes - 2 on the left and 2 on the right.



- 3 Loosen the bottom 2 right side hinge screws. Remove the door and place it on a protected flat surface to avoid any damage. Remove both the Blind Plate and the Strike Plate and install them in opposite positions.



- 4 Remove the 4 door hinge screws, 8 edge screws, and 4 inside screws. Lift the inner door upwards using a flat blade screwdriver.

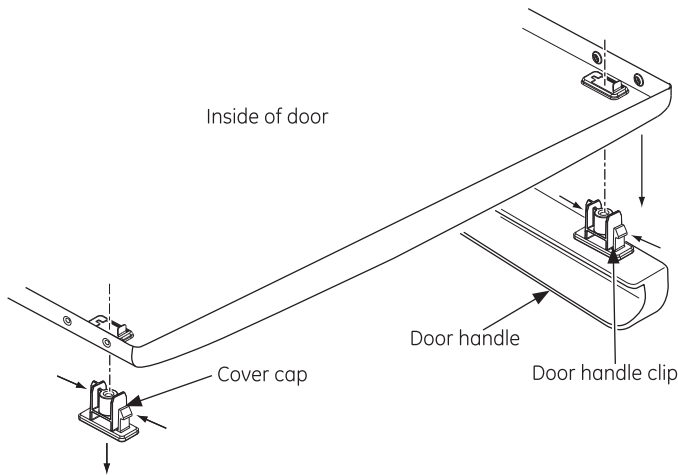




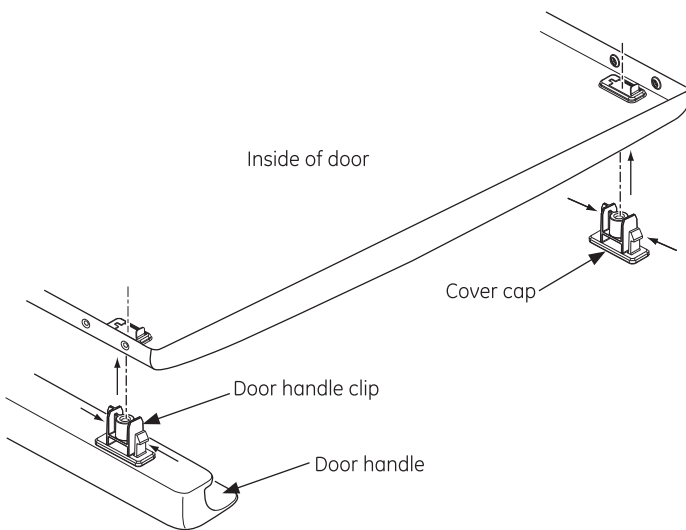
# Installation Instructions

**5** Remove and swap the 2 cover caps and door handle from the outer door:

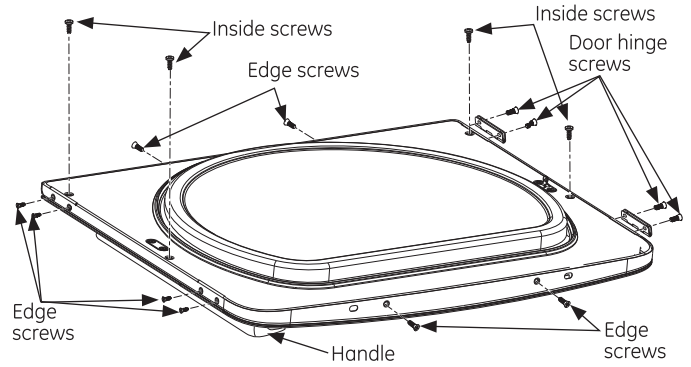
- A.** Squeeze the tabs on the inside of the door handle clips. Push clips through the outer door.
- B.** Squeeze the tabs on the inside of the cover caps. Push caps through the outer door.



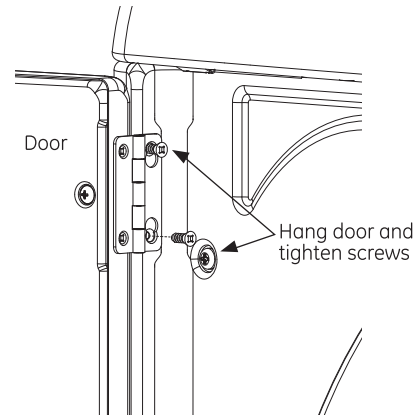
- C.** Push the door handle clips into the openings on the opposite side of the outer door making sure you flip the handle so it curves to the inside.
- D.** Push the cover caps into the openings on the outer door where the handle was removed.



**6** When the cover caps and door handle in place, mount the inner door back into the outer door with the screws removed in step 4. Make sure you mount the hinges on the side opposite the handle.



**7** Mount the assembled door on the 2 upper left side hinge screws installed in step 2. Move the hinge screws loosened in step 3 into the lower left side screw holes and firmly tight all 4 screws.



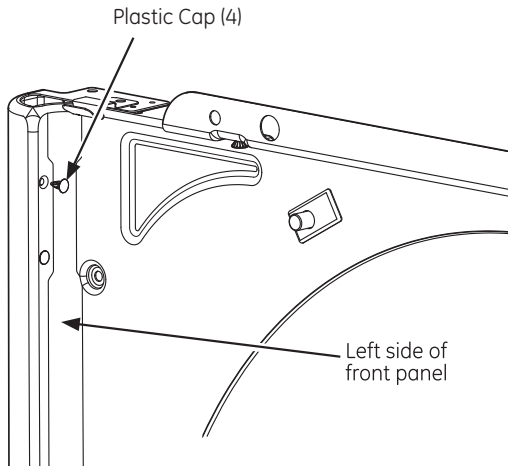
**8** Install the 4 plastic caps removed in step 1 into the 4 right side front panel holes.

**NOTE:** To return the door to the original setup, follow these instructions, swapping "left" and "right".

# Installation Instructions

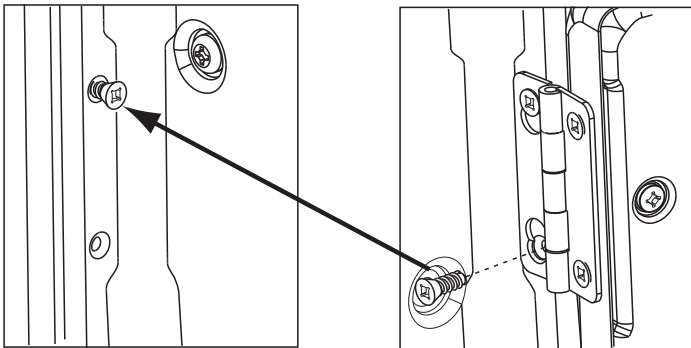
## 13 REVERSING THE DOOR SWING SOLID DOOR MODELS WITH COVER CAPS:

- 1 Open the door to approximately 170 degrees. With a putty knife, remove the 4 plastic covers located along the left side of front panel and set them aside.

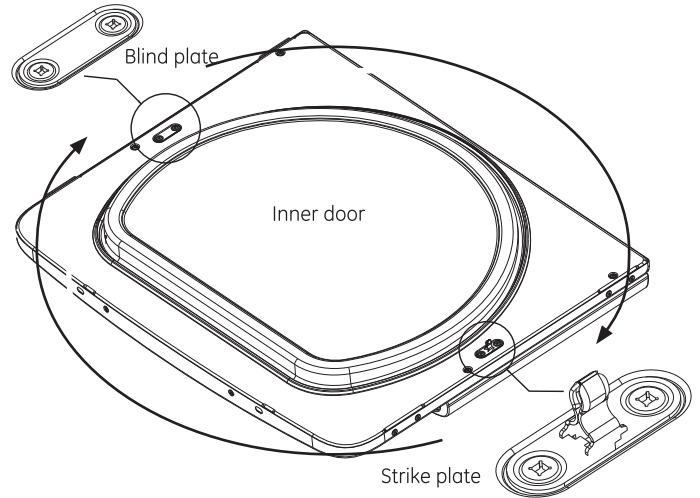


- 2 Remove the bottom screw from each hinge (right side) and partially insert the, into the top left side hinge holes.

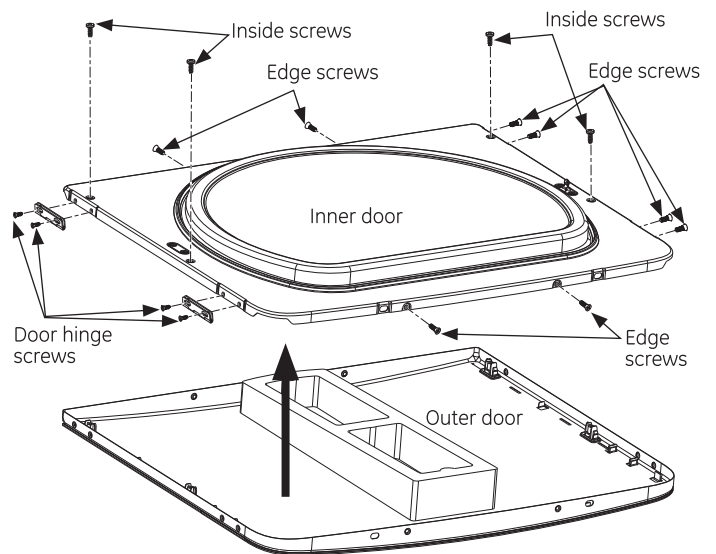
**NOTE:** All 4 front panel hinge screws will now be in the top hinge holes - 2 on the left and 2 on the right.



- 3 Loosen the bottom 2 right side hinge screws. Remove the door and place it on a protected, flat surface to avoid any damage. Remove both the Blind Plate and the Strike Plate and install them in opposite positions.



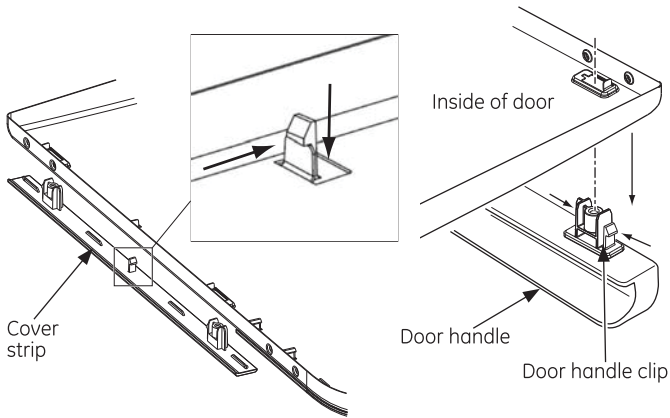
- 4 Remove the 4 door hinge screws, 8 edge screws, and 4 inside screws. Lift the inner door upwards using a flat blade screwdriver.



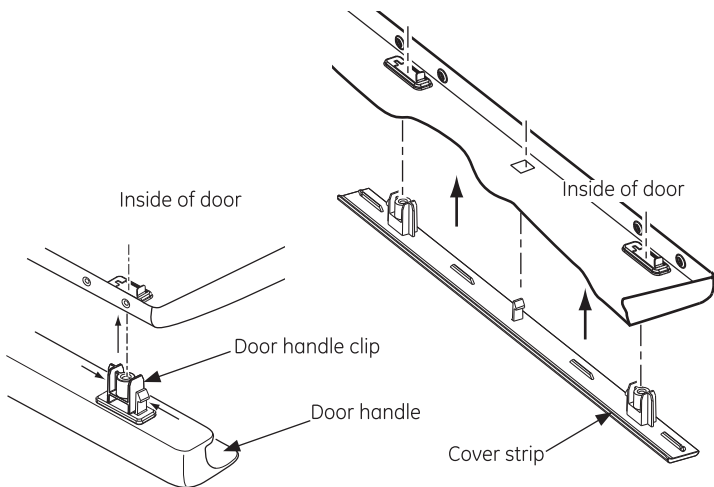
# Installation Instructions

**5** Remove and swap the cover cap and door handle from the outer door:

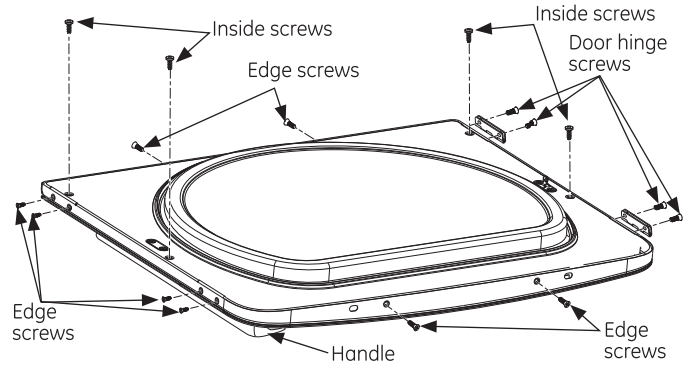
- A.** Squeeze the tabs on the inside of the door handle clips. Push clips through the outer door.
- B.** Squeeze the tabs on the inside of the cover cap. Push cap through the outer door.



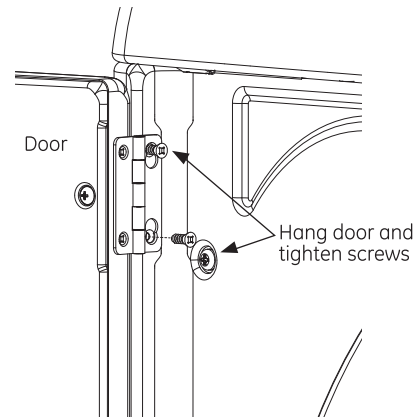
- C.** Push the door handle clips into the openings on the opposite side of the outer door making sure you flip the handle so it curves to the inside.
- D.** Push the cover cap into the openings on the outer door where the handle was removed.



**6** When the cover cap and door handle in place, mount the inner door back into the outer door with the screws removed in step 4. Make sure you mount the hinges on the side opposite the handle.



**7** Mount the assembled door on the 2 upper left side hinge screws installed in step 2. Move the hinge screws loosened in step 3 into the lower left side screw holes and firmly tight all 4 screws.



**8** Install the 4 plastic caps removed in step 1 into the 4 right side front panel holes.

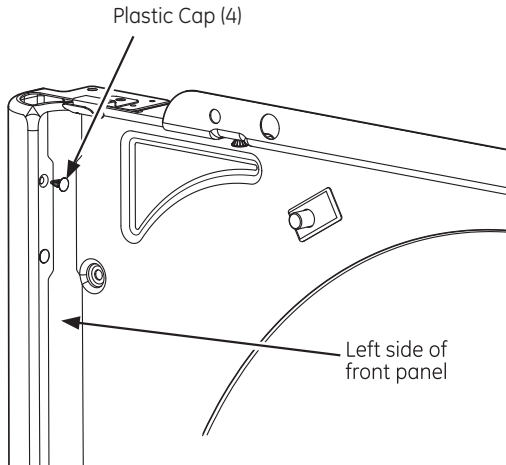
**NOTE:** To return the door to the original setup, follow these instructions, swapping "left" and "right".

# Installation Instructions

## 14 REVERSING THE DOOR SWING GLASS PANEL DOOR MODELS:

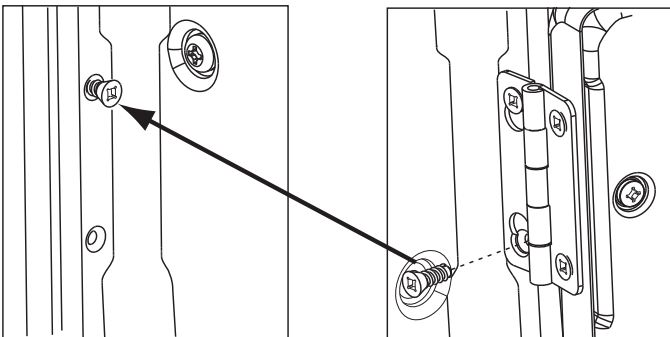
GTDS810ED0WS	GHDS835ED0MC
GTDS810GD0WS	GHDS835GD0MC
GTDS815ED0MC	GTDS850ED0WS
GTDS815GD0MC	GTDS850GD0WS
GTDS820ED0WS	GTDS855ED0MC
GTDS820GD0WS	GTDS855GD0MC
GTDS825ED0MC	GTDS860ED0WS
GTDS825GD0MC	GTDS860GD0WS
GHDS830ED0WS	GTDS865ED0MC
GHDS830GD0WS	GTDS865GD0MC

- 1** Open the door to approximately 170 degrees. With a putty knife, remove the 4 plastic covers located along the left side of front panel and set them aside.

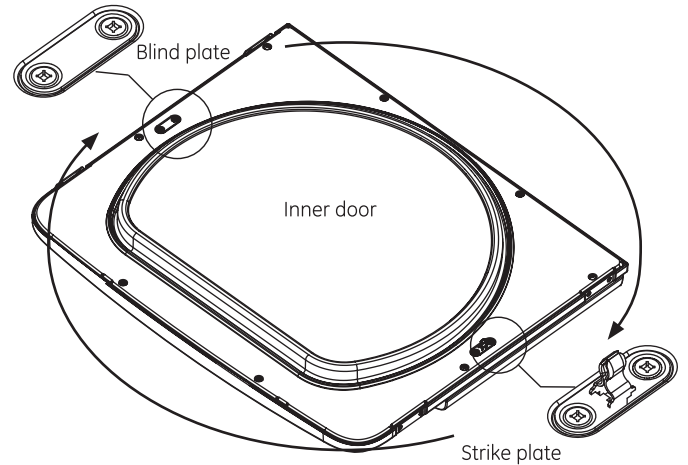


- 2** Remove the bottom screw from each hinge (right side) and partially insert them into the top left side hinge holes.

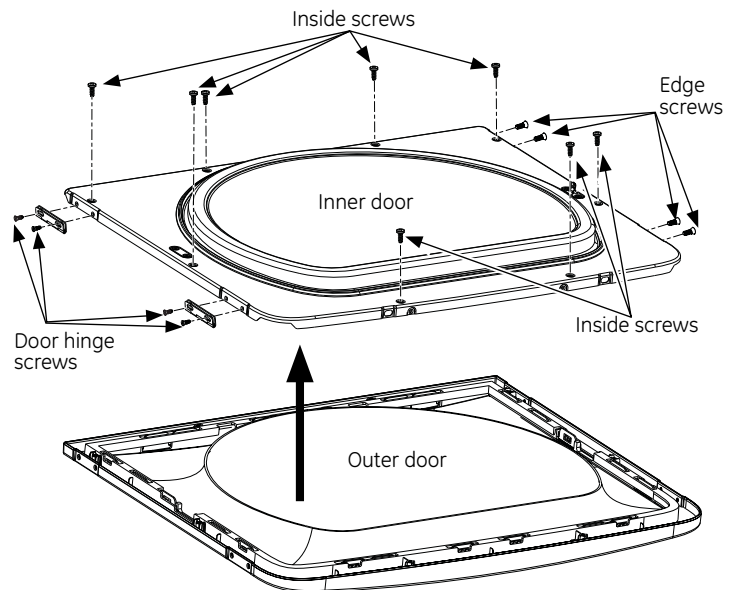
**NOTE:** All 4 front panel hinge screws will now be in the top hinge holes - 2 on the left and 2 on the right.



- 3** Loosen the bottom 2 right side hinge screws. Remove the door and place it on a protected flat surface to avoid any damage. Remove both the Blind Plate and the Strike Plate and install them in opposite positions.



- 4** Remove the 4 door hinge screws, 4 edge screws, and 8 inside screws. Lift the inner door upwards using a flat blade screwdriver.

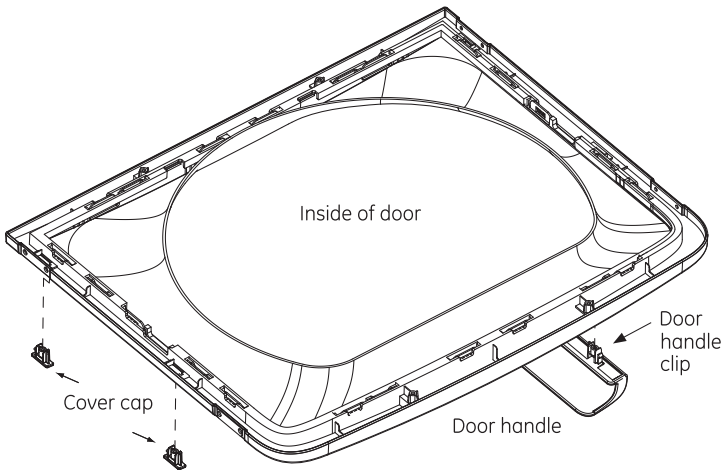




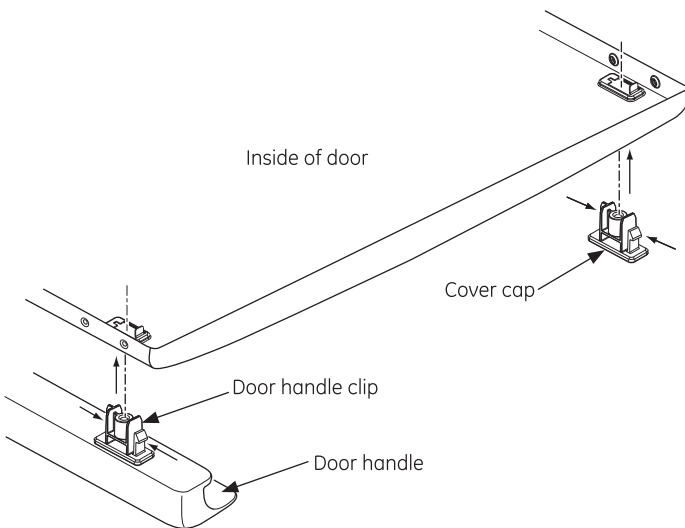
# Installation Instructions

**5** Remove and swap the 2 cover caps and door handle from the outer door:

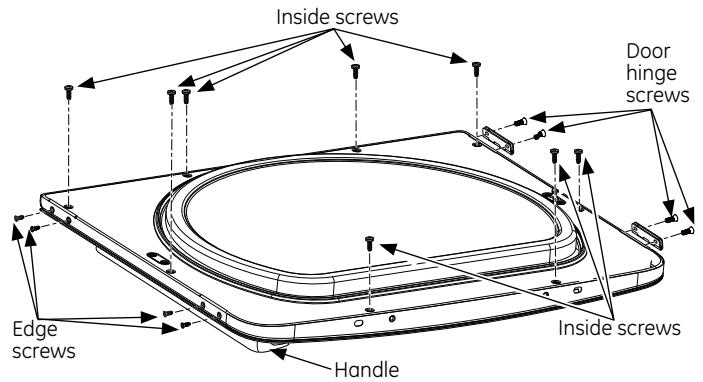
- A.** Squeeze the tabs on the inside of the door handle clips. Push clips through the outer door.
- B.** Squeeze the tabs on the inside of the cover caps. Push caps through the outer door.



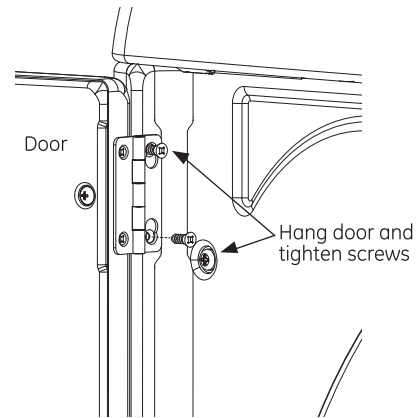
- C.** Push the door handle clips into the openings on the opposite side of the outer door making sure you flip the handle so it curves to the inside.
- D.** Push the cover caps into the openings on the outer door where the handle was removed.



**6** When the cover caps and door handle in place, mount the inner door back into the outer door with the screws removed in step 4. Make sure you mount the hinges on the side opposite the handle.



**7** Mount the assembled door on the 2 upper left side hinge screws installed in step 2. Move the hinge screws loosened in step 3 into the lower left side screw holes. Tighten those screws enough to hold the door but still allow a slight adjustment. Close the door. Adjust the door so there is equal gap on all sides. Carefully open the door and firmly tighten all 4 screws.



**8** Install the 4 plastic caps removed in step 1 into the 4 right side front panel holes.

**NOTE:** To return the door to the original setup, follow these instructions, swapping "left" and "right".

# Notes