



wall ovens

New product introductions May/June 2007
GE Profile™ and GE® wall ovens



imagination at work

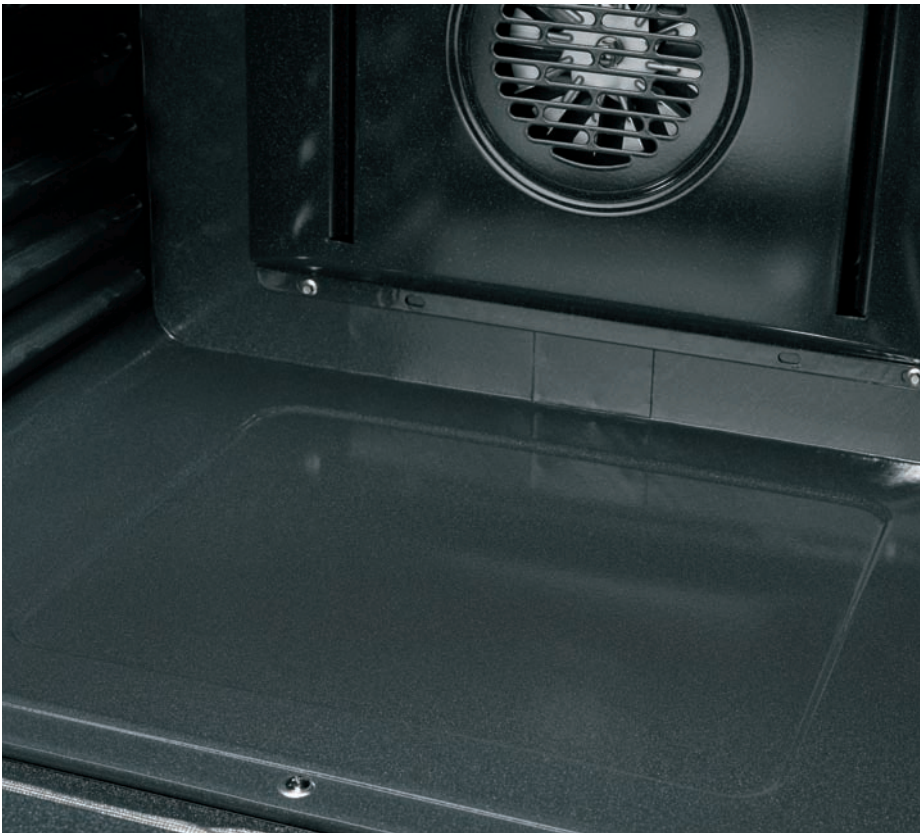
What's new: GE Profile™ wall ovens

The maximum in cooking performance and versatility



New Distinguished Appearance

The dramatic new appearance of GE Profile wall ovens includes a full stainless steel door, **LCD control panel*** and updated control graphics.



Easy Cleanability

New **heavy-duty, self-clean oven racks**, **glass-touch controls** and **True Hidden Bake oven interior** make these ovens easy to clean.



Superior Performance

Both upper and lower GE Profile ovens offer GE® exclusive **PreciseAir™ convection****. Other new features include a **QuietBake™ fan system** and **faster preheat**.



Remarkable Versatility

A **new, redesigned broil element** is closer to the top of the oven, enhancing cooking space (4.4 cu. ft. on 30" models and 3.8 cu. ft. on 27" models) and closed-door broiling performance.

*Only available on PT960 and PT920 models.
 **Double oven convection only available in PT960.

What's new: GE Profile™ wall ovens



GE Profile model PT960

All-new control panel



Proximity sensor

Illuminates controls when user approaches to ensure visibility and add convenience.



Tri-lingual

Offers three programmable languages—English, Spanish and French, to accommodate a wide variety of users.



Back lit control

Provides lighting to make panels easily visible for quicker, safer usage.



Probe guide

Takes the guesswork out of roasting by cooking foods to the exact result you desire.



Customizable display color

Offers eight choices so users can complement their existing kitchen décor.



Two-temp cooking

Allows the user to program oven for pie crusts and other baked goods at two different temperatures for two different time periods.



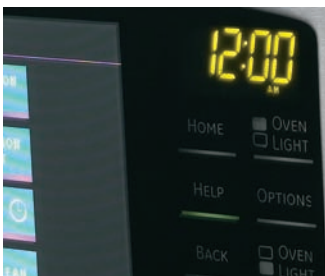
Glass touch controls

Features a smooth glass design that looks great and is easy to clean.



Broil guide

Helps users operate the broil feature with the door closed to simplify broiling.



Optional display features

Includes a 24-hour/12-hour or no clock display giving users options to meet personal preferences.



Favorite recipe

Provides an opportunity to program favorite recipes into the oven.



Cooking modes

Feature multiple options such as warm, proof and broil for specific cooking tasks to ensure desired results.



Dehydrate

Provides a special setting for drying foods to make cooking efficient and adaptable.

Feature gallery: GE Profile™ wall ovens





**LCD touch screen/
glass touch controls**

Combine a smooth, easy-to-clean glass design with large, easy-to-read graphics to facilitate easier usage.



Window

Supplies a large, enhanced viewing area to see food clearly and easily during operation.



Beveled edges*

Adds a design element to the frame of the oven window for a unique and attractive overall appearance.



Certified Sabbath mode

Allows consumers to keep cooked foods warm on the Jewish Sabbath and Jewish holidays.



No door vent trim

Provides a smooth, lustrous look to add a sense of style and refinement to the kitchen.

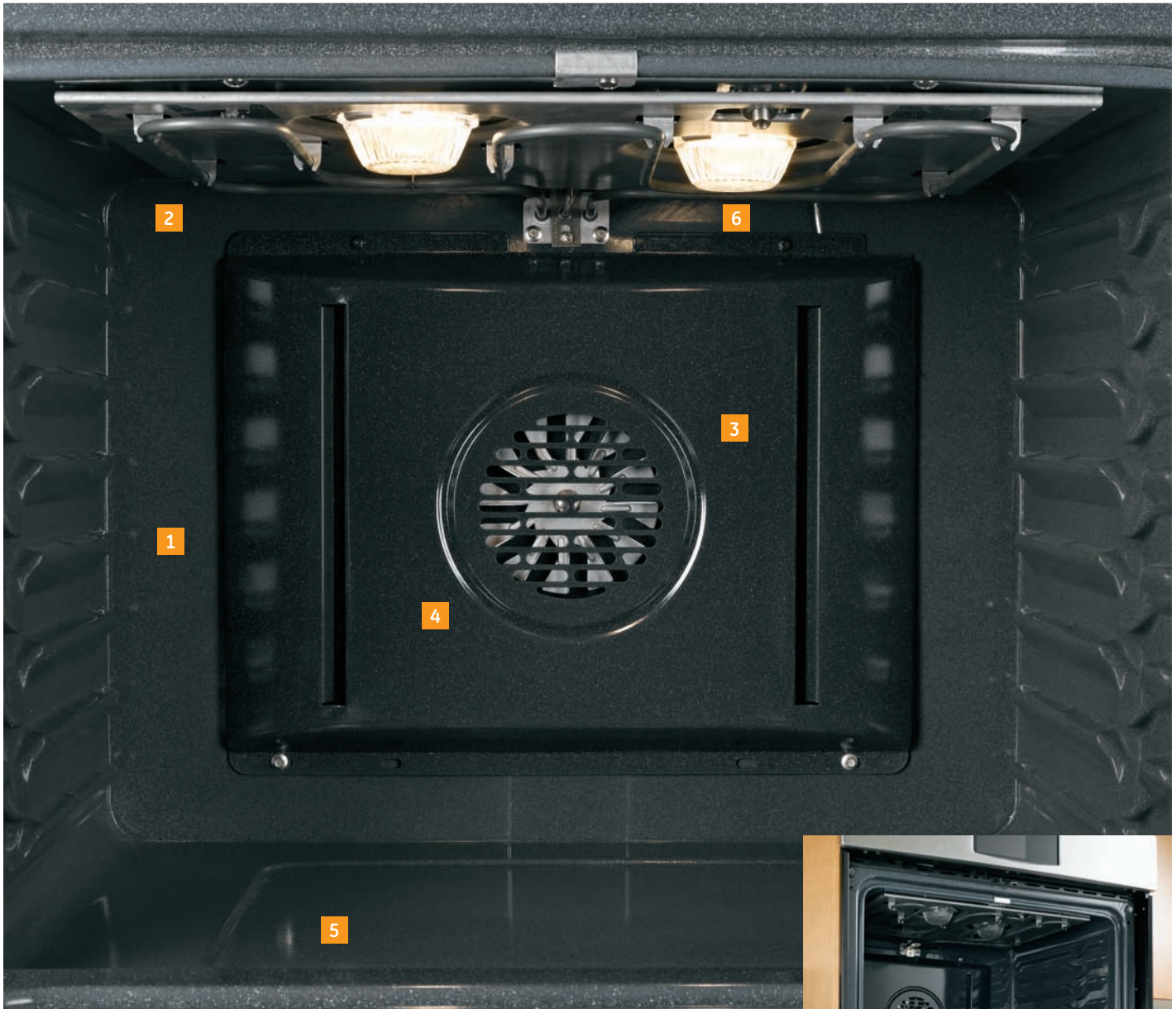


Gloss handle

Adds a touch of subtle elegance that blends naturally with any appliance color.

**Stainless steel models only
Not all features available on all models.*

The inside story: GE Profile™ wall ovens



GE Profile model PT960



Now available with double oven convection (model PT960)



Largest wall oven capacity in industry*
Provides plenty of room to cook the biggest of meals. 4.4 cu. ft. on 30" models and 3.8 cu. ft. on 27" models.

Broil element and reflector
A new six-pass broil element with reflectors delivers closed-door broiling performance.

Flat convection cover
Features a more streamlined convection fan that better accommodates baking and roasting pans.

Heavy-duty, self-clean racks
Double-coated porcelain racks provide extra support and no longer require hand cleaning.

PreciseAir™ convection
Uses a third dual loop heating element and an innovative fan that reverses direction for optimal baking performance.

QuietBake™ fan system
Features a much quieter two-speed fan with shorter fan run times.



True Hidden Bake
Hides exposed bottom element to make cleanup even easier.

Faster preheat
Provides up to 55% faster time to preheat, which delivers significant time savings.

Improved air flow
Reduces oven door temperature by venting warm air out below the doors.

Meat probe
Displays the internal temperature and signals when meats are cooked to perfection.

Improved lighting
Positions lamps diagonally across the top of the oven to promote better viewing.

TrueTemp™ system
Provides even heat distribution and precise oven control.

Not all features available on all models.
*Among leading brands

new!

new!

new!

new!

new!

new!

Feature gallery: GE® wall ovens



GE model JTP75



GE model JTP70



1 Updated control panel
Presents a new, modern design to incorporate new features for simpler oven operation.



2 Gloss handles
Adds a touch of subtle elegance that blends naturally with any appliance color.



3 Bigger hearth window
An extra-large ClearView window makes monitoring the progress of food easy.



4 Improved fit/finish
Provides a more compact, sleeker look that adds a feel of sophistication to the kitchen.



5 Largest wall oven capacity in industry*
Provides plenty of room to cook the biggest of meals. 4.4 cu. ft. in 30" models and 3.8 cu. ft. in 27" models.



Heavy-duty racks
Accommodates large dishes with ease.



Certified Sabbath mode
Allows consumers to keep cooked foods warm on the Jewish Sabbath and Jewish holidays.

Not all features available on all models.
*Among leading brands

GE Profile™ wall ovens

Available new models



GE Profile
30" double oven
PT960

- Glass touch LCD oven controls
- **PreciseAir™ convection system (upper and lower oven)**
- Flat convection cover
- Convection bake/roast (single- and multi-rack) (upper and lower oven)
- True Hidden Bake oven interior
- Self-clean heavy-duty oven racks
- New GE Profile appearance
- Improved oven lighting

GE Profile
30" double oven
PT956

- Glass touch oven controls
- PreciseAir convection system (upper)
- Flat convection cover (upper oven only)
- Convection bake/roast (single- and multi-rack) (upper oven only)
- True Hidden Bake oven interior
- Self-clean heavy-duty oven racks
- New GE Profile appearance
- Improved oven lighting

GE Profile
30" single oven
PT920

- **Glass touch LCD oven controls**
- PreciseAir convection system
- Flat convection cover
- Convection bake/roast (single- and multi-rack)
- True Hidden Bake oven interior
- Self-clean heavy-duty oven racks
- New GE Profile appearance
- Improved oven lighting
- **Side-by-side installation capability**

GE Profile
27" double oven
PK956

- Similar features as the PT956, except 27" wide

Recommended cooktops

| | |
|--------------|--------|
| 36" gas | JGP975 |
| 36" electric | PP975 |
| 30" gas | JGP945 |
| 30" electric | PP945 |

Recommended cooktops

| | |
|--------------|--------|
| 36" gas | JGP975 |
| 36" electric | PP975 |
| 30" gas | JGP945 |
| 30" electric | PP945 |

Recommended cooktops

| | |
|--------------|--------|
| 36" gas | JGP975 |
| 36" electric | PP975 |
| 30" gas | JGP945 |
| 30" electric | PP945 |

Bold indicates new feature
Not all features available on all models.



GE Profile
30" single oven
PT916

- Glass touch oven controls
- PreciseAir convection system
- Flat convection cover
- Convection bake/roast (single- and multi-rack)
- True Hidden Bake oven interior
- Self-clean heavy-duty oven racks
- New GE Profile appearance
- Improved oven lighting

GE Profile
27" single oven
PK916

- Similar features as the PT916, except 27" wide



GE Profile
30" combination double oven
PT970

- PreciseAir convection system (lower oven only)
- Convection bake/roast (lower oven only)
- Flat convection cover (lower oven only)
- True Hidden Bake oven interior (lower oven only)
- Self-clean heavy-duty oven racks (lower oven only)
- 1.6 cu. ft. microwave
- New GE Profile appearance

Recommended cooktops

| | |
|--------------|--------|
| 36" gas | JGP975 |
| 36" electric | PP975 |
| 30" gas | JGP945 |
| 30" electric | PP945 |

Recommended cooktops

| | |
|--------------|--------|
| 36" gas | JGP975 |
| 36" electric | PP975 |
| 30" gas | JGP945 |
| 30" electric | PP945 |

GE® wall ovens
Available new models



GE
30" double oven
JTP75

- **PreciseAir™ convection system**
- **Flat convection cover (upper oven only)**
- **Convection bake (multi-rack) (upper oven only)**
- Convection roast (upper oven only)
- True Hidden Bake oven interior
- Heavy-duty oven racks
- New GE appearance
- Improved oven lighting

GE
27" double oven
JKP75

- Similar features as the JTP75, except 27" wide

GE
30" double oven
JTP55

- **Extra-large self-clean ovens**
- TrueTemp™ system
- Improved oven lighting
- Dual element bake
- True Hidden Bake oven interior
- Heavy-duty oven racks
- New GE appearance

GE
27" double oven
JKP55

- Similar features as the JTP55, except 27" wide

GE
30" double oven
JTP35

- Self-clean oven (upper oven only)
- Extra-large oven capacity
- Electronic controls (upper oven only)
- TrueTemp system (upper oven only)
- Improved oven lighting
- Dual element bake
- New GE appearance

GE
27" double oven
JKP35

- Similar features as the JTP35, except 27" wide

Recommended cooktops

| | |
|--------------|--------|
| 36" gas | JGP630 |
| 36" electric | JP655 |
| 30" gas | JGP330 |
| 30" electric | JP356 |

Recommended cooktops

| | |
|--------------|--------|
| 36" gas | JGP630 |
| 36" electric | JP655 |
| 30" gas | JGP330 |
| 30" electric | JP356 |

Recommended cooktops

| | |
|--------------|--------|
| 36" gas | JGP630 |
| 36" electric | JP655 |
| 30" gas | JGP330 |
| 30" electric | JP346 |

Not all features available on all models.



GE
30" single oven
JTP70

- **PreciseAir convection system**
- **Flat convection cover**
- **Convection bake (multi-rack)**
- **Convection roast**
- True Hidden Bake oven interior
- Heavy-duty oven racks
- New GE appearance
- Improved oven lighting

GE
30" single oven
JTP30

- Extra-large self-clean oven
- Electronic controls
- TrueTemp system
- True Hidden Bake oven interior
- Heavy-duty oven racks
- Improved oven lighting
- Dual element bake
- New GE appearance

GE
30" combination double oven
JTP90

- Extra-large self-clean oven
- Electronic controls
- TrueTemp system
- 1.6 cu. ft. microwave
- Sensor cooking control (upper oven only)
- Turntable (upper oven only)
- New GE appearance

GE
27" single oven
JKP70

- Similar features as the JTP70, except 27" wide

GE
27" single oven
JKP30

- Similar features as the JTP30, except 27" wide

GE
27" combination double oven
JKP90

- Similar features as the JTP90, except 27" wide

GE
27" single oven
JKS10

- Similar features as the JKP30, except standard-clean

Recommended cooktops

| | |
|--------------|--------|
| 36" gas | JGP630 |
| 36" electric | JP655 |
| 30" gas | JGP330 |
| 30" electric | JP356 |

Recommended cooktops

| | |
|--------------|--------|
| 36" gas | JGP630 |
| 36" electric | JP655 |
| 30" gas | JGP330 |
| 30" electric | JP346 |

Recommended cooktops

| | |
|--------------|--------|
| 36" gas | JGP630 |
| 36" electric | JP655 |
| 30" gas | JGP330 |
| 30" electric | JP356 |

Electric wall oven quick pitch

The maximum in cooking performance and versatility



Superb performance

The **PreciseAir™ convection system**, with GE's exclusive reversing fan technology, is now offered in more models. This system delivers optimal heat circulation and temperature accuracy in the oven.

Exceptional versatility

A variety of **baking options** such as 1-rack convection bake, multi-rack convection bake/roast, conventional bake/roast/broil, and proof/warm/dehydrate are available to achieve optimal results.



Distinguished appearance

Full stainless steel door, LCD control panel and gloss handle on color models deliver an attractive cutting-edge design that coordinates and complements other appliances and kitchen décor.



Remarkable cleanability

Glass-touch controls, True Hidden Bake oven interior, self-clean oven racks make cleaning simple.

30" built-in double ovens

| | | GE Profile™ | | GE® | | | GE Profile | GE |
|--|----------------|---|--|---|---|---|--|---|
| | | Convection double ovens | | Double ovens | | | Microwave double ovens | |
| | | PT960SM PT960WM PT960BM | PT956SM PT956WM PT956CM PT956BM | JTP75SM JTP75WM JTP75CM JTP75BM | JTP55SM JTP55WM JTP55CM JTP55BM | JTP35SM JTP35WM JTP35CM JTP35BM | PT970SM PT970WM PT970CM PT970BB | JTP90SM JTP90WM JTP90CM JTP90BM |
| Features | | | | | | | | |
| | Upper Lower | Convection/self-clean Convection/self-clean | Convection/self-clean Thermal/self-clean | Convection/self-clean Self-clean | Self-clean Self-clean | Self-clean Standard | Microwave Convection/self-clean | Microwave Self-clean |
| | | Variable | Variable | Variable | Variable | Variable (upper) | Variable (lower) | Variable (lower) |
| Cleaning time | | ● | ● | ● | ● | Upper | Lower | Lower |
| Automatic self-clean oven door lock | | ● | ● | ● | ● | Upper | Lower | Lower |
| Self-clean oven w/Delay Clean option | | ● | ● | ● | ● | Upper | Lower | Lower |
| Light self-clean option | | ● | ● | ● | ● | Upper | Lower | Lower |
| TrueTemp™ system | | ● | ● | ● | ● | Upper | Lower | Lower |
| Hidden bake oven interior | | ● | ● | ● | ● | ● | Lower | Lower |
| Variable broil/Six-pass broil element | | ● | ● | ● | ● | ● | Lower | Lower |
| Eight-pass bake element | | ● | ● | ● | ● | ● | Lower | Lower |
| PreciseAir™ convection system | | | Upper | Upper | | | Lower | |
| Convection bake | | Multi/single-rack | Multi/single-rack | Upper | | | Lower | |
| Convection roast | | ● | Upper | Upper | | | Lower | |
| Auto Recipe™ conversion | | Upper | Upper | Upper | | | ● | |
| SmartSet controls | | LCD-Glass touch | Glass touch | ● | ● | Upper | ● | ● |
| Proof mode | | ● | Upper | | | | Lower | |
| Oven meat probe | | ● | Upper | | | | Lower | |
| Warm mode | | ● | Upper | | | | Lower | |
| Temperature display | | ● | ● | ● | ● | Upper | Lower | Lower |
| Delay bake option | | ● | ● | ● | ● | Upper | Lower | Lower |
| C° and F° programmable | | ● | ● | ● | ● | Upper | Lower | Lower |
| Audible preheat signal | | ● | ● | ● | ● | Upper | Lower | Lower |
| Auto oven shut-off w/override | | ● | ● | ● | ● | Upper | Lower | Lower |
| Electronic clock and kitchen timer | | ● | ● | ● | ● | ● | Lower | ● |
| Control lock capability | | ● | ● | ● | ● | Upper | Lower | Lower |
| Oven light | | 2 | 2 | 2 | 2 | 2 | 2 (Lower) | 2 (Lower) |
| Certified Sabbath mode | | ● | ● | ● | ● | Upper | Lower | Lower |
| Flat convection cover | | ● | ● | ● | | | Lower | |
| QuietBake™ fan system | | ● | ● | ● | ● | ● | Lower | Lower |
| Microwave oven features: | | | | | | | | |
| Microwave cooking timer | | | | | | | 99-min./99-sec. | 99-min./99-sec. |
| Microwave power levels | | | | | | | 10 | 10 |
| Sensor functions | | | | | | | 6 | 3 |
| Electronic MWO touch controls | | | | | | | ● | ● |
| Microwave oven cavity (cu. ft.) | | | | | | | 1.6 | 1.6 |
| MWO power output watts | | | | | | | 1000 | 1000 |
| Turntable | | | | | | | ● | ● |
| Oven racks | Upper Lower | 3 heavy-duty 3 heavy-duty | 3 heavy-duty 2 heavy-duty | 3 heavy-duty 2 heavy-duty | 2 heavy-duty 2 heavy-duty | 2 heavy-duty 2 heavy-duty | 3 heavy-duty | 2 heavy-duty |
| self-clean oven racks | | ● | ● | | | | ● | |
| Embossed rack positions | | 7 upper/7 lower | 7 upper/7 lower | 7 upper/7 lower | 7 upper/7 lower | 7 upper/7 lower | 7 lower | 6 lower |
| Appearance | | | | | | | | |
| Color appearance* | | SS WW BB | SS WW CC BB | SS WW CC BB | SS WW CC BB | SS WW CC BB | SS WW CC BB | SS WW CC BB |
| Frameless oven doors | | Stainless steel White glass Black glass | Stainless steel White glass Bisque glass Black glass | Stainless steel White glass Bisque glass Black glass | Stainless steel White glass Bisque glass Black glass | Stainless steel White glass Bisque glass Black glass | Stainless steel White glass Bisque glass Black glass | Stainless steel White glass Bisque glass Black glass |
| Big ClearView™ windows | | ● | ● | ● | ● | ● | Lower | Lower |
| Oven door handles | | Sculptured Stainless steel Sculptured white Sculptured black | Sculptured Stainless steel Sculptured white Sculptured bisque Sculptured black | Stainless steel White Bisque Black | Stainless steel White Bisque Black | Stainless steel White Bisque Black | Sculptured Stainless steel Sculptured white Sculptured bisque Sculptured black | Stainless steel White Bisque Black |
| Weights & Dimensions | | | | | | | | |
| Approx. shipping wt. (lbs.) | | 257 | 256 | 251 | 250 | 250 | 210 | 208 |
| Oven cabinet width required (in.) | | 30 | 30 | 30 | 30 | 30 | 30 | 30 |
| Overall dimensions (WxHxD in inches) | | 29-3/4 x 52-7/8 x 23-1/2 | 29-3/4 x 52-7/8 x 23-1/2 | 29-3/4 x 52-7/8 x 23-1/2 | 29-3/4 x 52-7/8 x 23-1/2 | 29-3/4 x 52-7/8 x 23-1/2 | 29-3/4 x 43-1/2 x 23-1/2 | 29-3/4 x 43-1/2 x 23-1/2 |
| Overall oven interior dimensions (WxHxD in inches) | Upper Lower | 24 x 17-1/2 x 18-1/4 24 x 17-1/2 x 18-1/4 | 24 x 17-1/2 x 18-1/4 24 x 17-1/2 x 18-1/4 | 24 x 17-1/2 x 18-1/4 24 x 17-1/2 x 18-1/4 | 24 x 17-1/2 x 18-1/4 24 x 17-1/2 x 18-1/4 | 24 x 17-1/2 x 18-1/4 24 x 17-1/2 x 18-1/4 | 16-1/4 x 9-5/8 x 15-3/4 24 x 17-1/2 x 18-1/4 | 16-1/4 x 9-5/8 x 15-3/4 24 x 17-1/2 x 18-1/4 |
| Power/Ratings | | | | | | | | |
| KW rating @ | 240V 208V | 7.2 6.4 | 7.2 6.4 | 7.2 6.4 | 7.2 6.4 | 8.0 6.4 | 6.6 5.3 | 6.6 5.3 |
| Amps @ | 240V 208V | 40 40 | 40 40 | 40 40 | 40 40 | 40 40 | 30 30 | 30 30 |
| Convection wattage | | 2500 | 2500 | | | | 2500 | |
| Broiler/bake wattage | | 2400/2100 | 2400/2100 | 2400/2100 | 2400/2100 | 2400/2100 | 3400/2100 | 3400/2100 |

*SS = Stainless steel, WW = White on white, CC = Bisque on bisque, BB = Black on black.

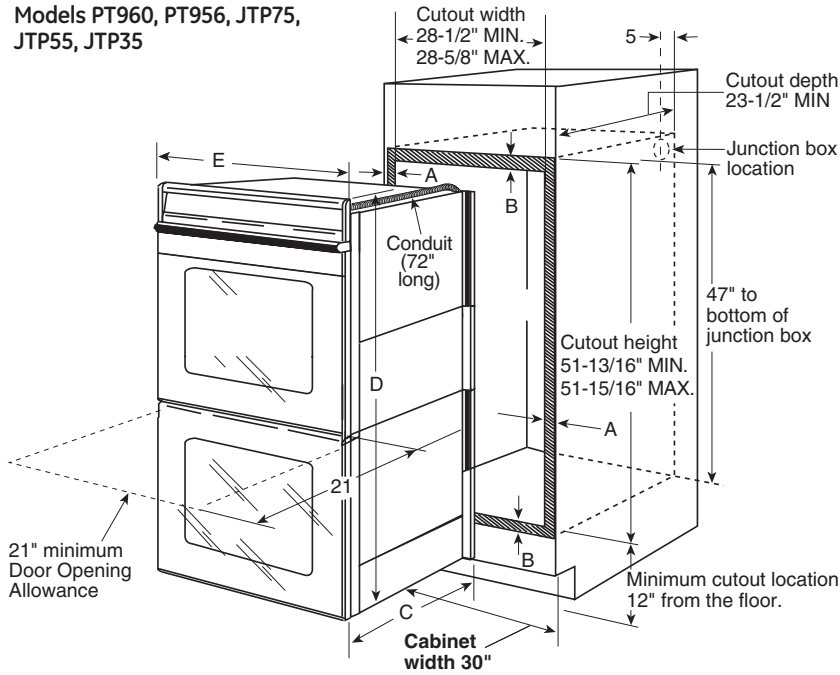


Listed by Underwriters Laboratories

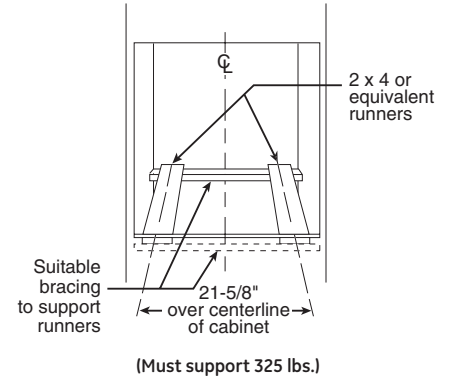
30" built-in double ovens (continued)

30" built-in double oven dimensions (in inches)

Models PT960, PT956, JTP75, JTP55, JTP35



21" minimum Door Opening Allowance



(Must support 325 lbs.)

| Cabinet | 30" |
|---|---------------|
| A - Overlap of oven over side edges of cutout | 11/16" - 3/4" |
| B - Overlap of oven at top and bottom of cutout | 1" |
| Oven | |
| C - Overall depth* | 23-1/2" |
| D - Overall height with trim | 53-3/8" |
| without trim | 52-7/8" |
| E - Overall width | 29-3/4" |

*Depth including door handle is approximately 26-6/10" min. to 26-9/10" max.

Note: Cabinets installed adjacent to wall ovens must have an adhesion spec of at least a 194°F temperature rating.

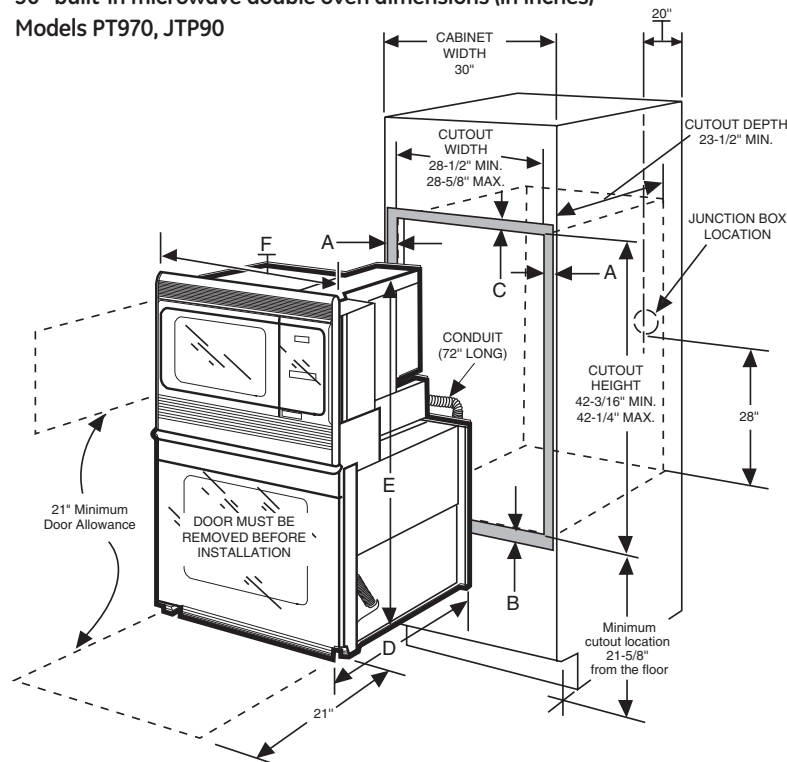
Note: If marks, blemishes or the cutout opening is visible above the installed oven, it may be necessary to add wood shims under the runners and front trim until the marks or openings are covered.

Note: Door handle protrudes 3" from door face. Cabinets and drawers on adjacent 45° and 90° walls should be placed to avoid interference with the handle.

MOST 30" WALL CABINETS CAN BE USED WITH THIS UNIT. THE OPENING BETWEEN THE INSIDE WALLS MUST BE AT LEAST 28-1/2" WIDE.

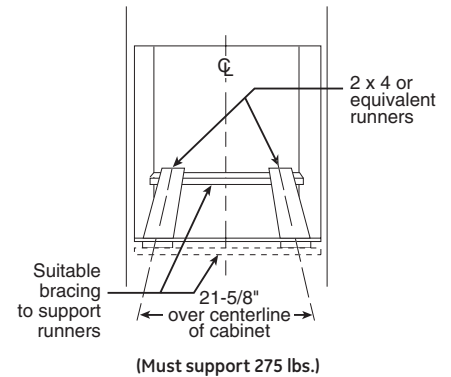
30" built-in microwave double oven dimensions (in inches)

Models PT970, JTP90



21" Minimum Door Allowance

DOOR MUST BE REMOVED BEFORE INSTALLATION



(Must support 275 lbs.)

| Cabinet | 30" |
|---|---------|
| A - Overlap of oven over side edges of cutout | 11/16" |
| B - Overlap of oven at bottom of cutout | 1" |
| C - Overlap of oven at top of cutout | 1/2" |
| Oven | |
| D - Overall depth* | 23-1/2" |
| E - Overall height with trim | 44" |
| without trim | 43-1/2" |
| F - Overall width | 29-3/4" |

*Depth including door handle is approximately 26-6/10" min. to 26-9/10" max.

Note: Cabinets installed adjacent to wall ovens must have an adhesion spec of at least a 194°F temperature rating.

Note: If marks, blemishes or the cutout opening is visible above the installed oven, it may be necessary to add wood shims under the runners and front trim until the marks or openings are covered.

Note: Door handle protrudes 3" from door face. Cabinets and drawers on adjacent 45° and 90° walls should be placed to avoid interference with the handle.

MOST 30" WALL CABINETS CAN BE USED WITH THIS UNIT. THE OPENING BETWEEN THE INSIDE WALLS MUST BE AT LEAST 28-1/2" WIDE.

Electric wall ovens are not approved for installation with a plug and receptacle. They must be hard wired in accordance with installation instructions.

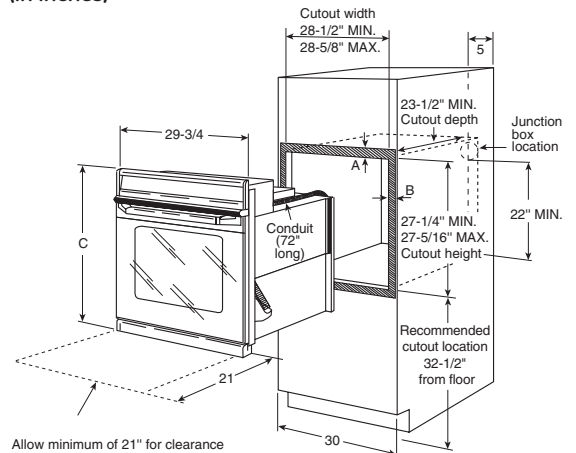
Installation information: Before installing, consult installation instructions packed with product for current dimensional data.

30" built-in single ovens

| | GE Profile™ | | GE® | |
|--|--|---|---|---|
| | Convection single ovens | | Single ovens | |
| | PT920SM PT920WM PT920BM | PT916SM PT916WM PT916CM PT916BM | JTP70SM JTP70WM JTP70CM JTP70BM | JTP30SM JTP30WM JTP30CM JTP30BM |
| ADA-compliant | ● | ● | ● | ● |
| Features | | | | |
| Oven | Convection/ self-clean | Convection/ self-clean | Convection/ self-clean | Self-clean |
| Cleaning time | Variable | Variable | Variable | Variable |
| Automatic self-clean oven door lock | ● | ● | ● | ● |
| Self-clean oven with Delay Clean option | ● | ● | ● | ● |
| Light self-clean option | ● | ● | ● | ● |
| TrueTemp™ system | ● | ● | ● | ● |
| Hidden bake oven interior | ● | ● | ● | ● |
| Variable broil/Six-pass broil element | ● | ● | ● | ● |
| Eight-pass bake element | ● | ● | ● | ● |
| PreciseAir™ convection system | ● | ● | ● | ● |
| Convection bake | Multi-/single-rack | Multi-/single-rack | ● | ● |
| Convection roast | ● | ● | ● | ● |
| Auto Recipe™ conversion | ● | ● | ● | ● |
| SmartSet controls | LCD-Glass touch | Glass touch | ● | ● |
| Proof mode | ● | ● | ● | ● |
| Warm mode | ● | ● | ● | ● |
| Oven meat probe | ● | ● | ● | ● |
| Temperature display | ● | ● | ● | ● |
| Delay bake option | ● | ● | ● | ● |
| C° and F° programmable | ● | ● | ● | ● |
| Audible preheat signal | ● | ● | ● | ● |
| Auto oven shut-off w/override | ● | ● | ● | ● |
| Electronic clock and kitchen timer | ● | ● | ● | ● |
| Control lock capability | ● | ● | ● | ● |
| Oven light | 2 | 2 | 2 | 2 |
| Certified Sabbath mode | ● | ● | ● | ● |
| Flat convection cover | ● | ● | ● | ● |
| QuietBake™ fan system | ● | ● | ● | ● |
| Oven racks | 3 heavy-duty | 3 heavy-duty | 3 heavy-duty | 2 heavy-duty |
| Embossed rack positions | 7 | 7 | 7 | 7 |
| Appearance | | | | |
| Color appearance* | SS WW BB | SS WW CC BB | SS WW CC BB | SS WW CC BB |
| Frameless oven door | Stainless steel White glass Black glass | Stainless steel White glass Bisque glass Black glass | Stainless steel White glass Bisque glass Black glass | Stainless steel White glass Bisque glass Black glass |
| Big ClearView™ window | ● | ● | ● | ● |
| Oven door handle | Sculptured stainless steel Sculptured white Sculptured black | Sculptured stainless steel Sculptured white Sculptured bisque Sculptured black | Stainless steel White Bisque Black | Stainless steel White Bisque Black |
| Undercounter installation | ● | ● | ● | ● |
| Weights & Dimensions | | | | |
| Approx. shipping wt. (lbs.) | 140 | 140 | 127 | 122 |
| Oven cabinet width required (in.) | 30 | 30 | 30 | 30 |
| Overall dimensions (WxHxD in inches) | 29-3/4 x 28-1/4 x 23-1/2 | 29-3/4 x 28-1/4 x 23-1/2 | 29-3/4 x 28-1/4 x 23-1/2 | 29-3/4 x 28-1/4 x 23-1/2 |
| Overall oven interior dimensions (WxHxD in inches) | 24 x 17-1/2 x 18-1/4 | 24 x 17-1/2 x 18-1/4 | 24 x 17-1/2 x 18-1/4 | 24 x 17-1/2 x 18-1/4 |
| Power/Ratings | | | | |
| KW rating @ | 240V | 3.6 | 3.6 | 3.4 |
| | 208V | 2.7 | 2.7 | 2.6 |
| Amps @ | 240V | 20 | 20 | 20 |
| | 208V | 20 | 20 | 20 |
| Convection wattage | 2500 | 2500 | 2500 | 2500 |
| Broiler/bake wattage | 2400/2100 | 2400/2100 | 2400/2100 | 2400/2100 |

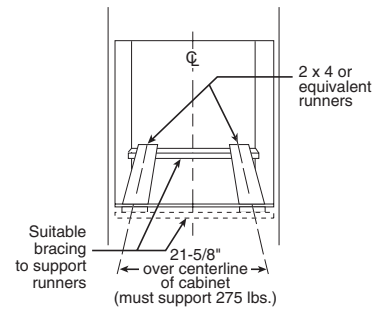
*SS = Stainless steel, WW = White on white, CC = Bisque on bisque, BB = Black on black.

30" built-in single GE oven dimensions (in inches) Single oven wall-mount or cabinet installation (in inches)



Allow minimum of 21" for clearance to adjacent corners, drawers, walls, or etc.

A=Allow 1" overlap of oven over top and bottom edges of cutout.
B=Allow 11/16"-3/4" for overlap of oven over side edges of cutout.
C=28-1/4" without trim and 28-3/4" with trim.



(Must support 275 lbs.)

Most 30" wall cabinets can be used with this unit.

Note: Cabinets installed adjacent to wall ovens must have an adhesion spec of at least a 194°F temperature rating.

Note: Door handle protrudes 3" from door face. Cabinets and drawers on adjacent 45° and 90° walls should be placed to avoid interference with the handle.

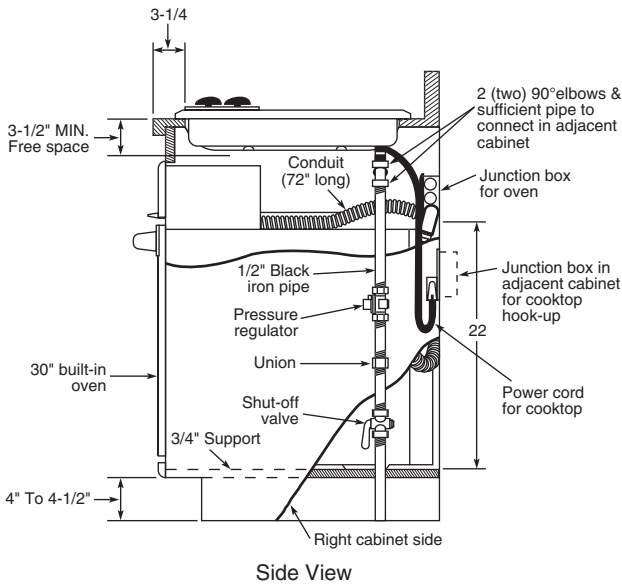


Listed by
Underwriters
Laboratories

30" built-in single ovens (continued)

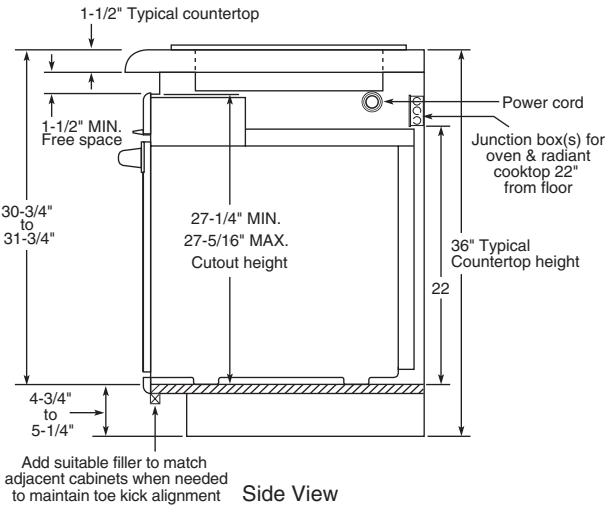
Optional undercounter installation dimensions (in inches) with gas cooktop

Models PT920, PT916, JTP70, JTP30



Optional undercounter installation dimensions (in inches) with electric cooktop

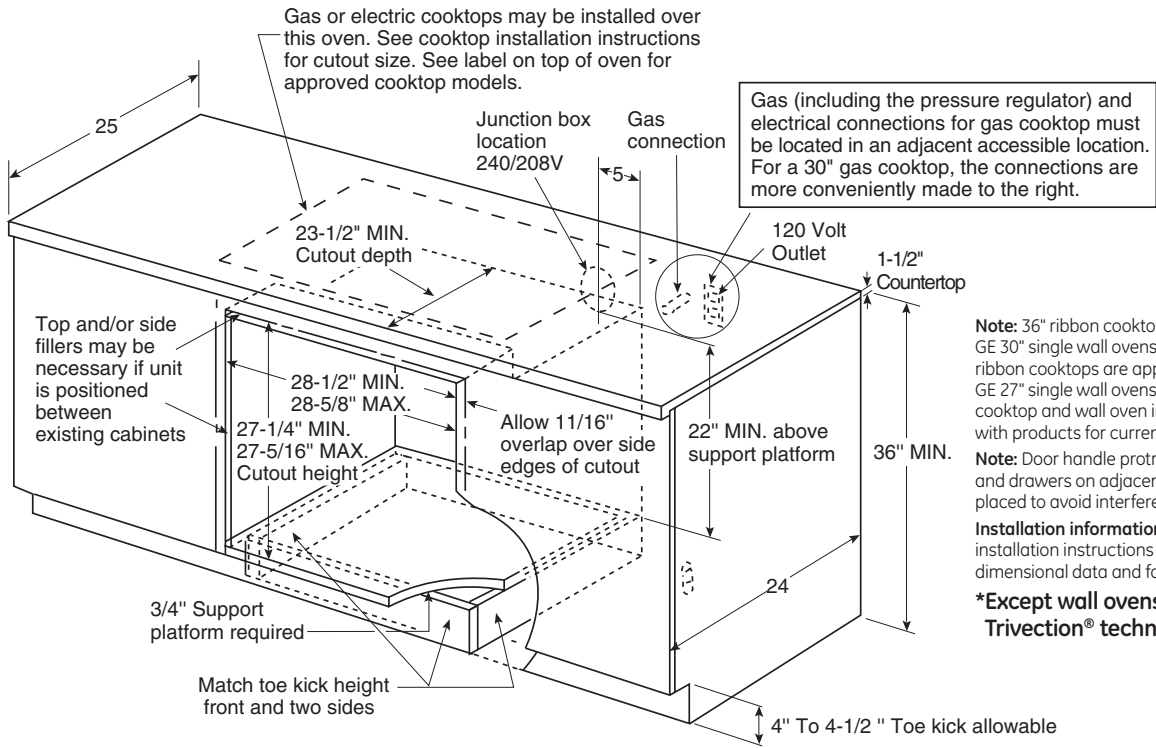
Models PT920, PT916, JTP70, JTP30



Note: For this installation, the bottom trim **will not** be flush with a typical 4" toe kick.
Note: Cabinets installed adjacent to wall ovens must have an adhesion spec of at least a 194°F temperature rating.

Undercounter installation dimensions (in inches)

Models PT920, PT916, JTP70, JTP30



Electric wall ovens are not approved for installation with a plug and receptacle. They must be hard wired in accordance with installation instructions.

Installation information: Before installing, consult installation instructions packed with product for current dimensional data.

27" built-in double ovens

| | | GE Profile™ | | GE® | | |
|--|----------------|---|---|---|---|---|
| | | 27" convection double ovens | 27" double ovens | | | 27" microwave double oven |
| | | PK956SM PK956WM PK956CM PK956BM | JKP75SM JKP75WM JKP75BM | JKP55SM JKP55WM JKP55CM JKP55BM | JKP35SM JKP35WM JKP35BM | JKP90SM JKP90WM JKP90CM JKP90BM |
| Features | | | | | | |
| Oven | Upper Lower | Convection/self-clean Self-clean | Convection/self-clean Self-clean | Self-clean Self-clean | Self-clean Standard | Microwave Self-clean |
| Cleaning time | | Variable | Variable | Variable | Variable (upper) | Variable (lower) |
| Automatic self-clean oven door lock | | ● | ● | ● | Upper | Lower |
| Self-clean oven w/Delay Clean option | | ● | ● | ● | Upper | Lower |
| Light self-clean option | | ● | ● | ● | Upper | Lower |
| TrueTemp™ system | | ● | ● | ● | Upper | Lower |
| Hidden bake oven interior | | ● | ● | ● | ● | Lower |
| Variable broil/Four-pass broil | | ● | ● | ● | ● | Lower |
| Eight-pass bake element | | ● | ● | ● | ● | Lower |
| PreciseAir™ convection system | | Upper | Upper | | | |
| Multi-rack convection bake | | Upper | Upper | | | |
| Single-rack convection bake | | Upper | | | | |
| Convection roast | | Upper | Upper | | | |
| Auto Recipe™ conversion | | Upper | Upper | | | |
| SmartSet Controls | | Glass touch | ● | ● | Upper | Lower |
| Proof mode | | ● | | | | |
| Warm mode | | ● | | | | |
| Oven meat probe | | Upper | | | | |
| Temperature display | | ● | ● | ● | Upper | Lower |
| Delay Bake Option | | ● | ● | ● | Upper | Lower |
| C° and F° programmable | | ● | ● | ● | Upper | Lower |
| Audible preheat signal | | ● | ● | ● | Upper | Lower |
| Auto oven shut-off w/override | | ● | ● | ● | Upper | Lower |
| Electronic clock and kitchen timer | | ● | ● | ● | ● | ● |
| Control lock capability | | ● | ● | ● | Upper | Lower |
| Oven light | | ● | ● | ● | ● | Lower |
| Certified Sabbath mode | | ● | ● | ● | Upper | Lower |
| Flat convection cover | | ● | ● | | | |
| QuietBake™ fan system | | ● | ● | ● | ● | ● |
| Microwave oven features: | | | | | | |
| Microwave cooking timer | | | | | | 99-min./99-sec. |
| Microwave power levels | | | | | | 10 |
| Sensor functions | | | | | | 3 |
| Electronic MWO touch controls | | | | | | ● |
| Microwave oven cavity (cu. ft.) | | | | | | 1.6 |
| MWO power output watts | | | | | | 1000 |
| Turntable | | | | | | ● |
| Oven racks | Upper Lower | 3 heavy-duty 2 heavy-duty | 3 heavy-duty 2 heavy-duty | 2 heavy-duty 2 heavy-duty | 2 heavy-duty 2 heavy-duty | 2 heavy-duty |
| Self-clean oven racks | | ● | | | | |
| Embossed rack positions | | 7 upper/7 lower | 7 upper/7 lower | 7 upper/7 lower | 7 upper/7 lower | 7 lower |
| Appearance | | | | | | |
| Color appearance* | | SS WW CC BB | SS WW CC BB | SS WW CC BB | SS WW CC BB | SS WW CC BB |
| Frameless oven doors | | Stainless steel White glass Bisque glass Black glass | Stainless steel White glass Black glass | Stainless steel White glass Bisque glass Black glass | Stainless steel White glass Black glass | Stainless steel White glass Bisque glass Black glass |
| Big ClearView™ window | | ● | ● | ● | ● | Lower |
| Oven door handles | | Sculptured stainless steel Sculptured white Sculptured bisque Sculptured black | Stainless steel White Black | Stainless steel White Bisque Black | Stainless steel White Black | Stainless steel White Bisque Black |
| Weights & Dimensions | | | | | | |
| Approx. shipping wt. (lbs.) | | 235 | 206 | 203 | 187 | 186 |
| Oven cabinet width required (in.) | | 27 | 27 | 27 | 27 | 27 |
| Overall dimensions (WxHxD in inches) | | 26-5/8 x 51 x 23-5/8 | 26-5/8 x 51 x 23-5/8 | 26-5/8 x 51 x 23-5/8 | 26-5/8 x 51 x 23-5/8 | 26-5/8 x 51 x 23-5/8 |
| Overall oven interior dimensions (WxHxD in inches) | Upper Lower | 21-1/2 x 17 x 18-1/4 21-1/2 x 17 x 18-1/4 | 21-1/2 x 17 x 18-1/4 21-1/2 x 17 x 18-1/4 | 21-1/2 x 17 x 18-1/4 21-1/2 x 17 x 18-1/4 | 21-1/2 x 17 x 18-1/4 21-1/2 x 17 x 18-1/4 | 16 x 11-1/8 x 13-3/8 21-1/2 x 17 x 18-1/4 |
| Power/Ratings | | | | | | |
| KW rating @ | 240V 208V | 6.8 5.1 | 6.8 5.1 | 6.8 5.1 | 7.1 5.3 | 6.4 5.1 |
| Amps @ | 240V 208V | 30 30 | 30 30 | 30 30 | 30 30 | 30 30 |
| Convection wattage | | 2500 | 2500 | | | |
| Broiler/bake wattage | | 3400/2100 | 3400/2100 | 3400/2100 | 3400/2100 | 3400/2100 |

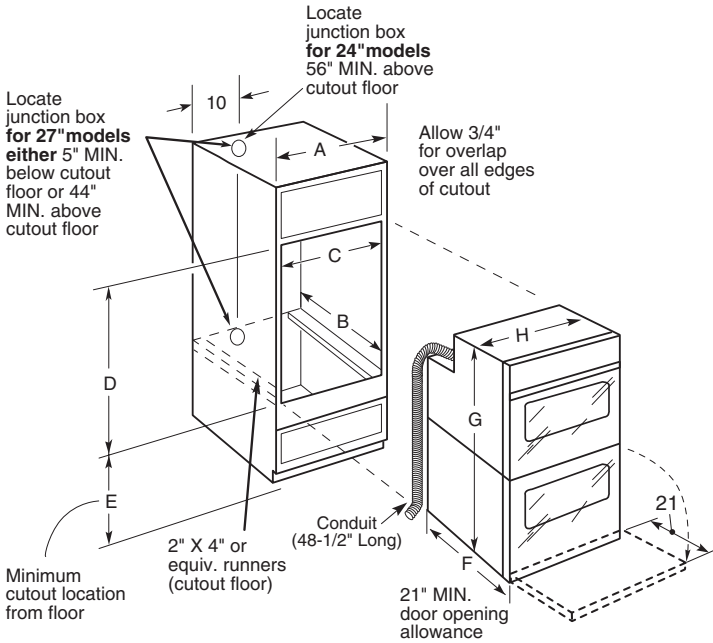
*SS = Stainless steel, WW = White on white, CC = Bisque on bisque, BB = Black on black.



Listed by
Underwriters
Laboratories

27" built-in double ovens (continued)

27" built-in double oven dimensions (in inches) 27" models PK956, JKP75, JKP55, JKP35



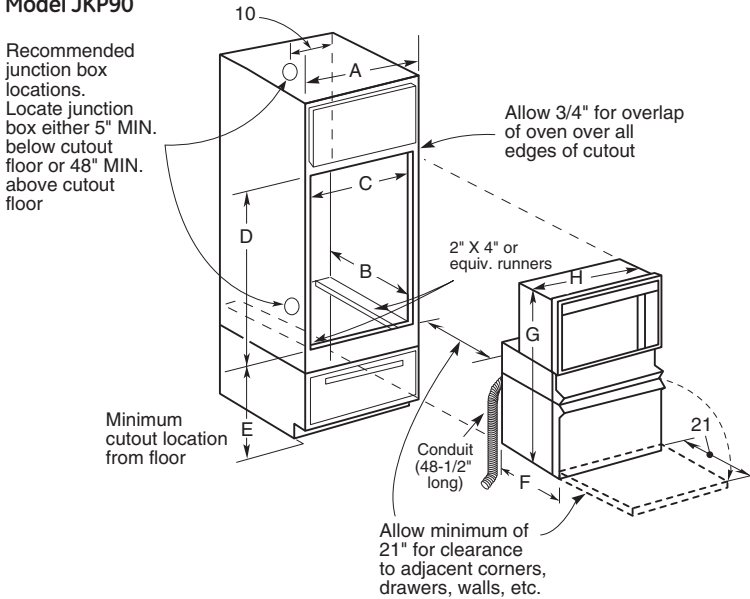
Note: Cabinets installed adjacent to wall ovens must have an adhesion spec of at least a 194°F temperature rating.

Note: If marks, blemishes or the cutout opening is visible above the installed oven, it may be necessary to add wood shims under the runners and front trim until the marks or openings are covered.

Note: Door handle protrudes 3" from door face. Cabinets and drawers on adjacent 45° and 90° walls should be placed to avoid interference with the handle.

27" built-in microwave double oven dimensions (in inches)

Model JKP90



Note: Door handle protrudes 3" from door face. Cabinets and drawers on adjacent 45° and 90° walls should be placed to avoid interference with the handle.

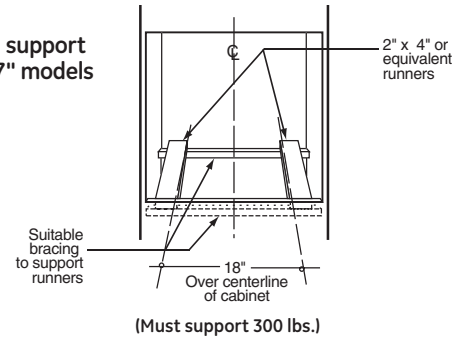
Note: Cabinets installed adjacent to wall ovens must have an adhesion spec of at least a 194°F temperature rating.

Note: If marks, blemishes or the cutout opening is visible above the installed oven, it may be necessary to add wood shims under the runners and front trim until the marks or openings are covered.

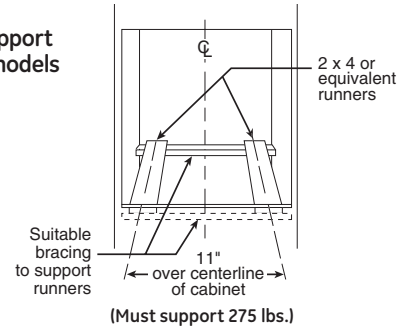
Electric wall ovens are not approved for installation with a plug and receptacle. They must be hard wired in accordance with installation instructions.

Installation information: Before installing, consult installation instructions packed with product for current dimensional data.

Oven support for 27" models

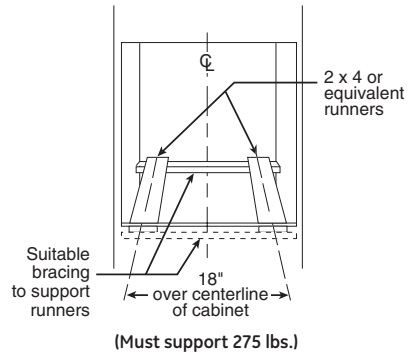


Oven support for 24" models



| Cabinet | JKP956/JKP75/55/35 |
|--|-------------------------|
| A - Cabinet width required | 27" min. |
| B - Minimum cabinet depth | 23-5/8" |
| C - Opening width | 25" min. - 25-1/4" max. |
| D - Opening height | 50-1/8" max. |
| E - Recommended minimum cutout location from floor | 13-1/4" |
| Oven | |
| F - Overall depth* | 23-5/8" |
| | w/o trim 51" |
| G - Overall height with trim | 51-7/8" - 52-3/4" |
| H - Overall width | 26-5/8" |

*Depth including door handle is approximately 26-7/10" min. to 26-8/10" max. on models PK956, JKP75/55/35.



| Cabinet | 27" |
|--|-------------------------|
| A - Cabinet width required | 27" min. |
| B - Minimum cabinet depth | 23-5/8" |
| C - Opening width | 25" min. - 25-1/4" max. |
| D - Opening height | 41-1/4" max. |
| E - Minimum cutout location from floor | 22" |
| Oven | |
| F - Overall depth* | 23-5/8" |
| | w/o trim 42-1/8" |
| G - Overall height with trim | 43" - 43-7/8" |
| H - Overall width | 26-5/8" |

*Depth including door handle is approximately 26-7/10" min. to 26-8/10" max.

27" built-in single ovens

| | GE Profile™ | GE® | | |
|--|---|---|---|----------------------|
| | 27" convection single ovens | 27" single ovens | | |
| | PK916SM PK916WM PK916CM PK916BM | JKP70SM JKP70WM JKP70BM | JKP30SM JKP30WM JKP30CM JKP30BM | JKS10BM |
| ADA-compliant | ● | ● | ● | ● |
| Features | | | | |
| Oven | Convection/self-clean | Convection/self-clean | Self-clean | Standard-clean |
| Cleaning time | Variable | Variable | Variable | |
| Automatic self-clean oven door lock | ● | ● | ● | |
| Self-clean oven w/Delay Clean option | ● | ● | ● | |
| Light self-clean option | ● | ● | ● | |
| TrueTemp™ system | ● | ● | ● | ● |
| Hidden bake oven interior | ● | ● | ● | ● |
| Variable broil/Four-pass broil | ● | ● | ● | ● |
| Eight-pass bake element | ● | ● | ● | ● |
| PreciseAir™ convection system | ● | ● | | |
| Multi-rack convection bake | ● | ● | | |
| Single-rack convection bake | ● | | | |
| Convection roast | ● | ● | | |
| Auto Recipe™ conversion | ● | ● | | |
| SmartSet controls | Glass touch | ● | ● | ● |
| Proof mode | ● | | | |
| Warm mode | ● | | | |
| Oven meat probe | ● | | | |
| Temperature display | ● | ● | ● | ● |
| Delay bake option | ● | ● | ● | ● |
| C° and F° programmable | ● | ● | ● | ● |
| Audible preheat signal | ● | ● | ● | ● |
| Auto oven shut-off w/override | ● | ● | ● | ● |
| Electronic clock and kitchen timer | ● | ● | ● | ● |
| Control lock capability | ● | ● | ● | ● |
| Oven light | ● | ● | ● | ● |
| Certified Sabbath mode | ● | ● | ● | ● |
| Flat convection cover | ● | ● | | |
| QuietBake™ fan system | ● | ● | ● | ● |
| Oven racks | 3 heavy-duty | 3 heavy-duty | 2 heavy-duty | 2 heavy-duty |
| Self-clean oven racks | ● | | | |
| Embossed rack positions | 7 | 7 | 7 | 7 |
| Appearance | | | | |
| Color appearance* | SS WW CC BB | SS WW BB | SS WW CC BB | BB |
| Frameless oven door | Stainless steel White glass Bisque glass Black glass | Stainless steel White glass Black glass | Stainless steel White glass Bisque glass Black glass | Black glass |
| Big ClearView™ window | ● | ● | ● | ● |
| Oven door handle | Sculptured stainless steel Sculptured white Sculptured bisque Sculptured black | Stainless steel White Black | Stainless steel White Bisque Black | Black |
| Undercounter installation | ● | ● | ● | ● |
| Weights & Dimensions | | | | |
| Approx. shipping wt. (lbs.) | 120 | 125 | 120 | 97 |
| Oven cabinet width required (in.) | 27 | 27 | 27 | 27 |
| Overall dimensions (WxHxD in inches) | 26-5/8 x 29 x 23-5/8 | 26-5/8 x 29 x 23-5/8 | 26-5/8 x 29 x 23-5/8 | 26-5/8 x 29 x 23-5/8 |
| Overall oven interior dimensions (WxHxD in inches) | 21-1/2 x 17 x 18-1/4 | 21-1/2 x 17 x 18-1/4 | 21-1/2 x 17 x 18-1/4 | 21-1/2 x 17 x 18-1/4 |
| Power/Ratings | | | | |
| KW rating @ | 240V 208V | 3.4 2.6 | 3.4 2.6 | 3.4 2.6 |
| Amps @ | 240V 208V | 20 20 | 20 20 | 20 20 |
| Convection wattage | 2500 | 2500 | | |
| Broiler/bake wattage | 3400/2100 | 3400/2100 | 3400/2100 | 3400/2100 |

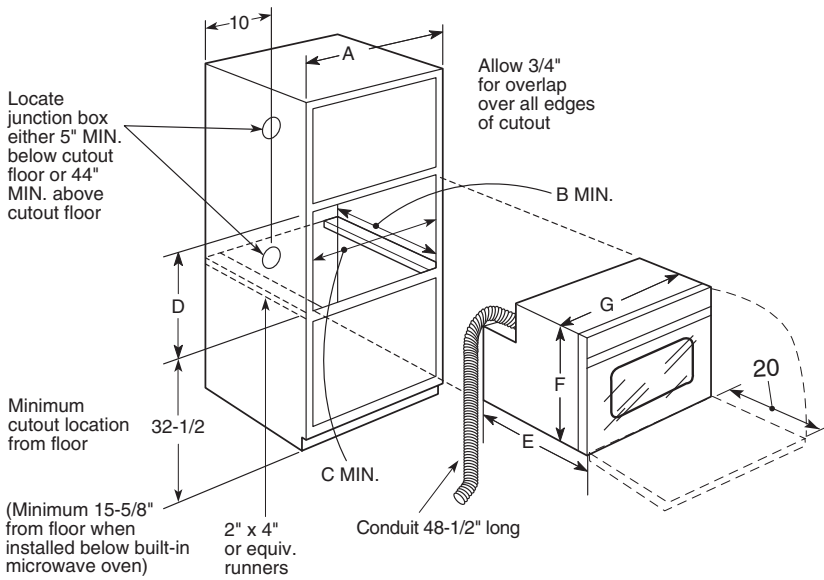
*SS = Stainless steel, WW = White on white, CC = Bisque on bisque, BB = Black on black.



27" built-in single ovens (continued)

27"/24" built-in single oven dimensions (in inches)

27" models PK916, JKP70, JKP30, JKS10



Note: These ovens are not approved for stackable or side-by-side installations.

Note: Door handle protrudes 3" from door face. Cabinets and drawers on adjacent 45° and 90° walls should be placed to avoid interference with the handle.

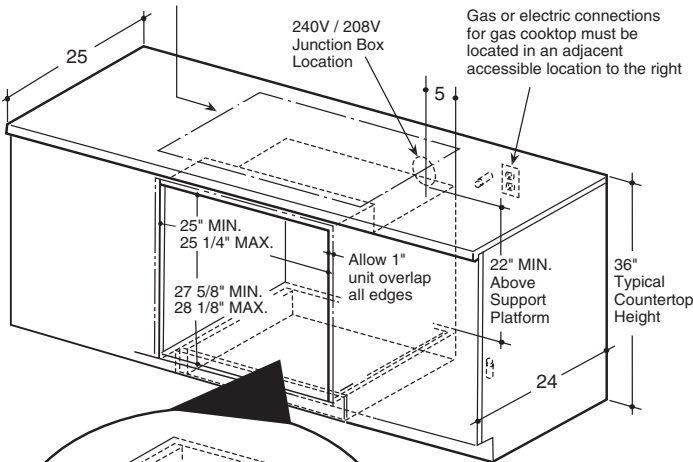
Note: Cabinets installed adjacent to wall ovens must have an adhesion spec of at least a 194°F temperature rating.

Note: For 27" built-in single ovens, if marks, blemishes or the cutout opening is visible above the installed oven, it may be necessary to add wood shims under the runners and front trim until the marks or openings are covered.

Undercounter installation dimensions (in inches)

Models PK916, JKP70, JKP30 and JKS10

Gas or electric cooktops may be installed over this oven. See cooktop installation instructions for cutout size. See label on top of oven for approved cooktop models.



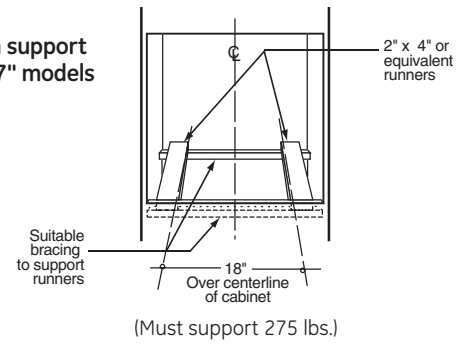
Note: 36" ribbon cooktops are approved for use over GE 30" single wall ovens* and warming drawers. 30" ribbon cooktops are approved for use over GE 30" and GE 27" single wall ovens* and warming drawers. Refer to cooktop and wall oven installation information packed with products for current dimensional data.
*Except wall ovens with Trivection® technology.

Electric wall ovens are not approved for installation with a plug and receptacle. They must be hard wired in accordance with installation instructions.

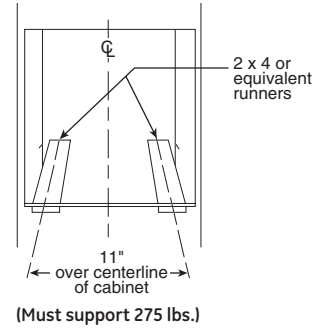
Note: Oven is rated for use only under 30" standard or sealed burner gas and selected 30" CleanDesign and Calrod® electric cooktops.

Installation information: Before installing, consult installation instructions packed with product for current dimensional data.

Oven support for 27" models



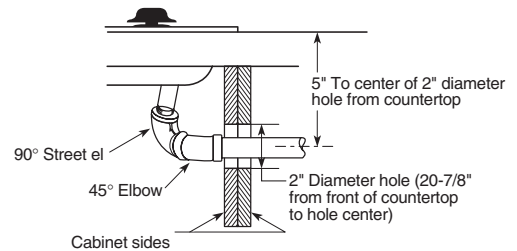
Oven support for 24" models



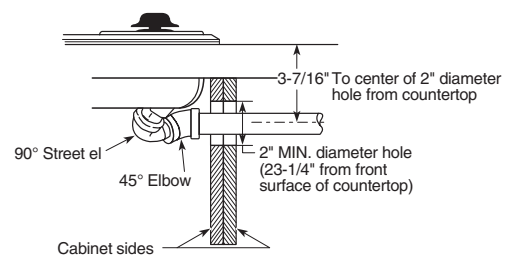
| Cabinet | PK916, JKP70/30, JKS10 |
|------------------------------|-----------------------------|
| A - Cabinet width required | 27" min. |
| B - Minimum cabinet depth | 23-5/8" |
| C - Opening width | 25" min. - 25-1/4" max. |
| D - Opening height | 27-5/8" min. - 28-1/8" max. |
| Oven | |
| E - Overall depth* | 23-5/8" |
| | w/o trim 29" |
| F - Overall height with trim | 29-7/8" - 30-3/4" |
| G - Overall width | 26-5/8" |

*Depth including door handle is approximately 26-7/8" min to 26-8/10" max. 26-5/8" on models PK916, JKP70/30 and JKS10.

Sealed burner gas cooktop installation dimensions (in inches)



Standard burner gas cooktop installation dimensions (in inches)



Note: Cabinets installed adjacent to wall ovens must have an adhesion spec of at least a 194°F temperature rating.