

GE  
Lighting Solutions

# Evolve™ LED Area Light

Modular Fixture - Small & Medium (EASM & EAMM)



imagination at work

## Product Features

The next evolution of the GE Evolve™ LED Area Light continues to deliver the same outstanding features associated with the original Evolve product, while now adding greater flexibility and style. The European styling offers a sleek, modern look, and balances the needs for photometric scalability with reliable workhorse performance. The new modular design provides 34 photometric combinations, available in two color temperatures, to meet a wide range of area lighting needs.

GE's exclusive optical ring design produces superior vertical illuminance and efficiently directs the light without wasteful and unwelcomed light spill into neighboring properties. Additionally, reduced energy consumption, combined with a long rated life that virtually eliminates ongoing maintenance expenses, enables the Evolve LED Area Light to provide significant operating cost benefits over the life of each fixture.

### Applications

- Single and double modules for site, area, and general lighting utilizing advanced LED optical system providing high uniformity, excellent vertical light distribution, reduced offsite visibility, reduced on-site glare and effective security light levels.
- Scalable design makes this product ideal for small to medium retailers, commercial to medical properties, strip malls to large malls, and big box retailers.

### Housing

- Die-cast aluminum housing.
- Slim architectural design incorporates modular heat sink light engine directly into the unit ensuring maximum heat transfer, long LED life and a reduced Effective Projected Area (EPA).
- Meets 2G vibration per ANSI C136.31-2001. For 3G rating contact manufacturer.



### LED & Optical Assembly

- Structured LED arrays for optimized area light photometric distribution.
- Evolve modular light engine utilizing nested concentric directional reflectors designed to optimize application efficiency and minimize glare.
- Utilizes high brightness LEDs, 70 CRI at 4000K and 5700K typical.
- LM-79 tests and reports are performed in accordance with IESNA standards.

### Lumen Maintenance

- System rating is L85 at 50,000 hours. Contact manufacturer for Lxx rating (Lumen Depreciation) beyond 50,000 hours.

### Ratings

- /c/ listed, suitable for wet locations.
- IP 65 rated optical enclosure per ANSI C136.25-2009.
- Temperature rated at -40° to 45°C.
- Upward Light Output Ratio (ULOR) = 0.

### Mounting

#### Option A

- 10-inch (254mm) mounting arm for square pole.

#### Option B

- 10-inch (254mm) mounting arm for round pole.

#### Option C

- Slipfitter mounting for 2 3/8-inch (60mm) O.D. pipe prewired with 24-inch (610mm) leads.

### Finish

- Corrosion resistant polyester powder painted, minimum 2.0 mil. thickness.
- Standard colors: Black & Dark Bronze.
- RAL & custom colors available.

### Electrical

- 120-277 volt and 347-480 volt available.
- System power factor is >90% and THD <20%.\*
- Class "A" audible sound rating.
- Integral surge protection non-dimming:
  - For 120-277VAC per IEEE/ANSI C62.41.-1991, 4kV/2kA Location Category B2 (120 Events)
  - For 347-480VAC per IEEE/ANSI C62.41.-1991, 6kV/3kA Location Category B3 (120 Events)
- Integral surge protection GE dimming:
  - For 120-480VAC per IEEE/ANSI C62.41.2-2002, 6kV/3kA Location Category B (120 Events)
- Optional high capability surge protection per IEEE/ANSI C62.41.2-2002.
  - Rating 1 - 10kV/5kA Location Category (120 events)
  - Rating 2 - 6kV/3kA Location Category C-Low (5000 events)
- EMI: Title 47 CFR Part 15 Class A
- Photo electric sensors (PE) available for all voltages.

\* System power factor and THD is tested and specified at 120V input and maximum load conditions.

### Warranty

- 5-year limited system warranty standard.

# Ordering Number Logic

## Medium / Double Module Fixture (EAMM)



E A M M

A

PROD. ID	VOLTAGE	OPTICAL CODE	DISTRIBUTION ORIENTATION	LED COLOR TEMP	LENS TYPE	PE FUNCTION	MOUNTING ARM	COLOR	OPTIONS
E = Evolve A = Area M = Medium M = Modular	0 = 120 - 277 1 = 120* 2 = 208* 3 = 240* 4 = 277* 5 = 480* D = 347*  *Specify single voltage if fuse option is selected.		F = Front L = Left R = Right N = Not Applicable	40 = 4000K 57 = 5700K	A = Acrylic	1 = None 2 = PE Rec. 4 = PE Rec. with Shorting Cap 5 = PE Rec. with Control 7 = Dimming PE Receptacle *† 9 = Dimming PE Receptacle with Shorting Cap †  PE control not available for 347-480V. Must be a discrete voltage.  * Order dimming control PE as a separate item  † When ordering PE function socket 7 or 9, a dimming option "D2" must also be ordered under the "OPTIONS" column	A = 10" Arm for Square Pole B = 10" Arm for Round Pole C = EXT Slipfitter 2" PIPE (2.375 in. OD) supplied with leads/dimming cable	BLCK = Black DKBZ = Dark Bronze  Contact manufacturer for other colors	D2 = Dimmable (0-10 Volt Input) F = Fusing T = Extra Surge Protection* XXX = Special Options  * Future availability. Contact manufacturer for details and timing.
			<p>Light pattern thrown in direction specified in relation to Pole and Fixture.</p>						

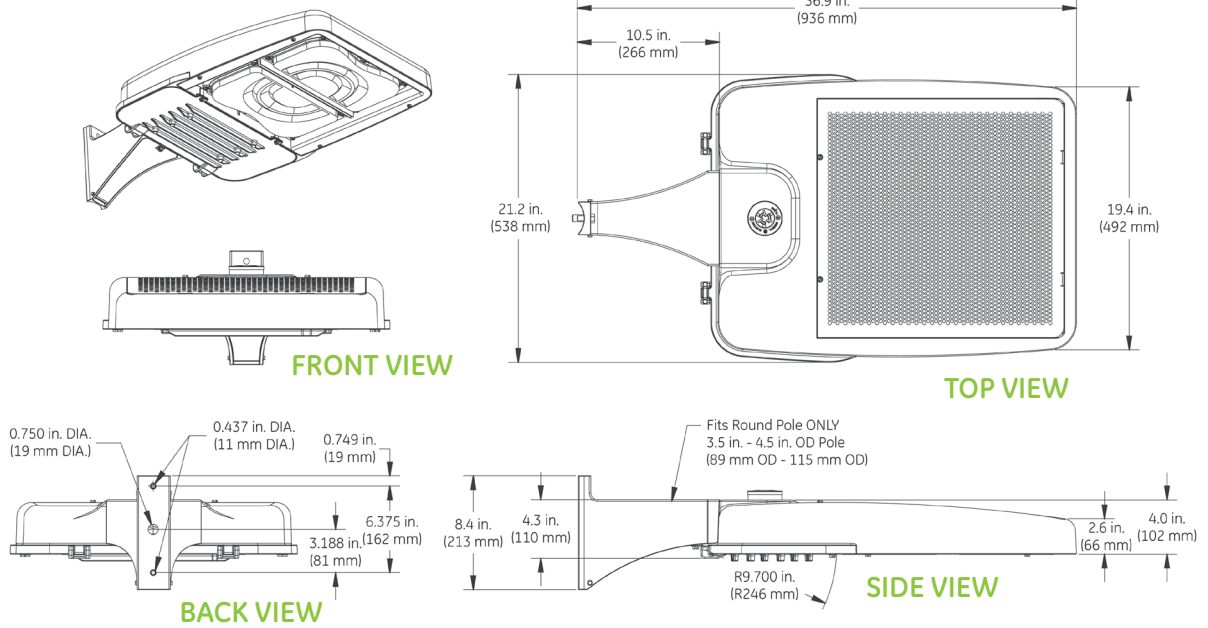
OPTICAL CODE	TYPE	TYPICAL INITIAL LUMENS		TYPICAL SYSTEM WATTAGE		DISTRIBUTION ORIENTATION AVAILABLE	BUG RATINGS						IES FILE NUMBER*		
		4000K	5700K	120-277V	347-480V		4000K		5700K		4000K	5700K			
TYPE V	A5	Symmetric Medium	6260	6800	100	105	N	3	1	1	3	2	2	454457	454487
	B5	Symmetric Medium	8100	8800	126	133	N	3	2	2	3	2	2	454458	454488
	C5	Symmetric Medium	9940	10800	152	160	N	4	2	2	4	2	2	454459	454489
	D5	Symmetric Medium	11780	12800	178	187	N	4	2	2	4	3	2	454460	454490
	E5	Symmetric Medium	13620	14800	202	213	N	4	3	2	4	3	2	454461	454491
	K5	Symmetric Short	6260	6800	100	105	N	3	1	1	3	1	1	454471	454513
	L5	Symmetric Short	8100	8800	126	133	N	3	1	1	3	1	1	454472	454514
	M5	Symmetric Short	9940	10800	152	160	N	3	1	2	3	1	2	454473	454515
	N5	Symmetric Short	11780	12800	178	187	N	3	1	2	4	1	2	454474	454516
TYPE IV	F4	Asymmetric Forward	8100	8800	126	133	F, L, R	2	3	2	2	3	2	454409	454396
	G4	Asymmetric Forward	9020	9800	139	146	F, L, R	2	3	2	2	3	2	454448	454476
	H4	Asymmetric Forward	9940	10800	152	160	F, L, R	2	3	2	2	3	3	454412	454405
	J4	Asymmetric Forward	10860	11800	165	174	F, L, R	2	3	3	2	3	3	454451	454479
	K4	Asymmetric Forward	11780	12800	178	187	F, L, R	2	3	3	2	3	3	454415	454426
	L4	Asymmetric Forward	12700	13800	190	200	F, L, R	2	3	3	2	3	3	454454	454482
	M4	Asymmetric Forward	13620	14800	202	213	F, L, R	2	3	3	3	3	3	454418	454435
TYPE III	F3	Asymmetric Wide	8100	8800	126	133	F, L, R	1	1	2	1	1	2	454436	454492
	G3	Asymmetric Wide	9020	9800	139	146	F, L, R	2	1	2	2	1	2	454462	454495
	H3	Asymmetric Wide	9940	10800	152	160	F, L, R	2	1	2	2	1	2	454439	454498
	J3	Asymmetric Wide	10860	11800	165	174	F, L, R	2	1	2	2	1	2	454465	454501
	K3	Asymmetric Wide	11780	12800	178	187	F, L, R	2	1	2	2	1	2	454442	454504
	L3	Asymmetric Wide	12700	13800	190	200	F, L, R	2	1	2	2	1	2	454468	454507
	M3	Asymmetric Wide	13620	14800	202	213	F, L, R	2	1	2	2	1	2	454445	454510

\*Shielded options available. Contact manufacturer for IES files.

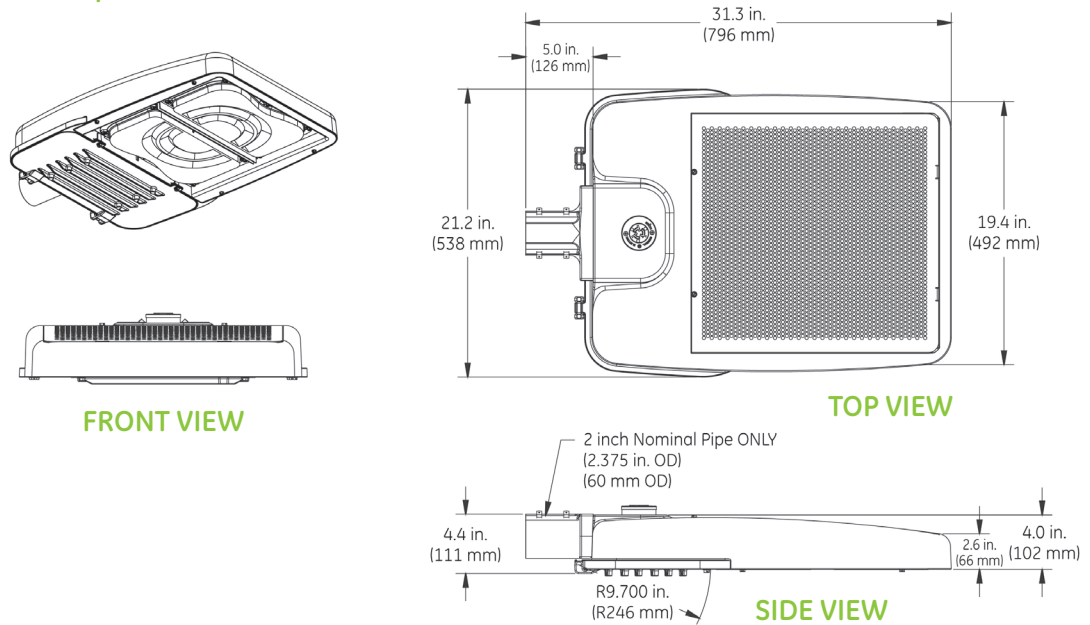
# Product Dimensions

## Medium / Double Module Fixture (EAMM)

### 10" Arm for Round Pole Mount (Option B)



### Slipfitter Arm Mount (Option C)



#### DATA

- Approximate Net Weight: 46-49 lbs (21-22 kgs)
- Effective Projected Area (EPA) with 10" Mounting Arm: 1.35 sq ft max (0.13 sq m)
- Effective Projected Area (EPA) with Slipfitter: 0.86 sq ft max (0.08 sq m)

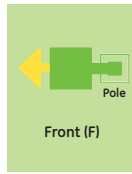
# Ordering Number Logic

## Small / Single Module Fixture (EASM)



E A S M - - - - - F - - - - - A - - - - -

PROD. ID	VOLTAGE	OPTICAL CODE	DISTRIBUTION ORIENTATION	LED COLOR TEMP	LENS TYPE	PE FUNCTION	MOUNTING ARM	COLOR	OPTIONS
<b>E</b> = Evolve <b>A</b> = Area <b>S</b> = Small <b>M</b> = Modular	0 = 120 - 277 1 = 120* 2 = 208* 3 = 240* 4 = 277* 5 = 480* D = 347*  *Specify single voltage if fuse option is selected.		<b>F</b> = Front	40 = 4000K 57 = 5700K	<b>A</b> = Acrylic	1 = None 2 = PE Rec. 4 = PE Rec. with Shorting Cap 5 = PE Rec. with Control 7 = Dimming PE Receptacle *† 9 = Dimming PE Receptacle with Shorting Cap †  PE control not available for 347-480V. Must be a discrete voltage.  * Order dimming control PE as a separate item  † When ordering PE function socket 7 or 9, a dimming option "D2" must also be ordered under the "OPTIONS" column	<b>A</b> = 10" Arm for Square Pole <b>B</b> = 10" Arm for Round Pole <b>C</b> = EXT Slipfitter 2" PIPE (2.375 in. OD) supplied with leads/dimming cable	<b>BLCK</b> = Black <b>DKBZ</b> = Dark Bronze  Contact factory for other colors	<b>D2</b> = Dimmable (0-10 Volt Input) <b>F</b> = Fusing <b>T</b> = Extra Surge Protection* <b>XXX</b> = Special Options  * Future availability. Contact manufacturer for details and timing.



Light pattern thrown in direction specified in relation to Pole and Fixture.

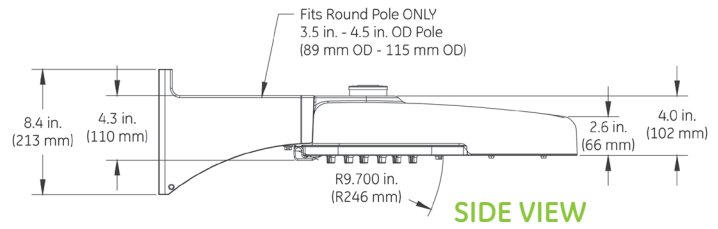
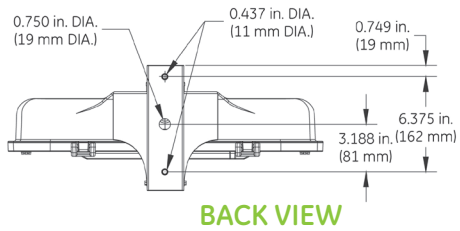
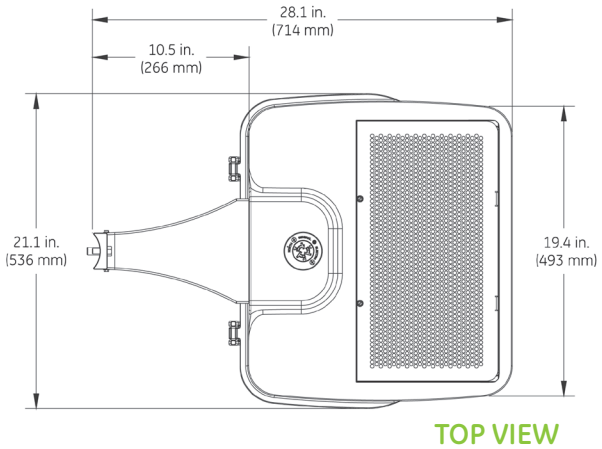
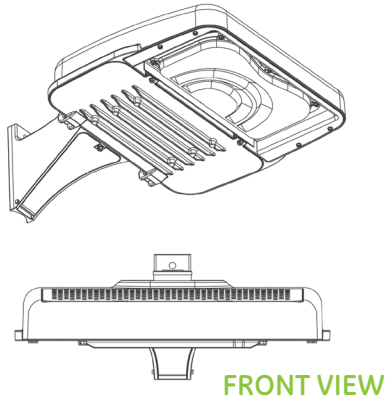
	OPTICAL CODE	TYPE	TYPICAL INITIAL LUMENS		TYPICAL SYSTEM WATTAGE		DISTRIBUTION ORIENTATION AVAILABLE	4000K			5700K			IES FILE NUMBER*	
			4000K	5700K	120-277V	347-480V		B	U	G	B	U	G	4000K	5700K
TYPE IV	A4	Asymmetric Forward	3130	3400	50	53	F	1	2	1	1	2	1	454394	454395
	B4	Asymmetric Forward	4050	4400	63	66	F	1	2	2	1	2	2	434397	454398
	C4	Asymmetric Forward	4970	5400	76	80	F	1	2	2	1	2	2	454400	454401
	D4	Asymmetric Forward	5890	6400	89	94	F	1	2	2	1	3	2	454403	454404
	E4	Asymmetric Forward	6810	7400	101	106	F	1	3	2	2	3	2	454406	454407
TYPE III	A3	Asymmetric Wide	3130	3400	50	53	F	1	1	1	1	1	1	454421	454422
	B3	Asymmetric Wide	4050	4400	63	66	F	1	1	1	1	1	1	454424	454425
	C3	Asymmetric Wide	4970	5400	76	80	F	1	1	1	1	2	2	454427	454428
	D3	Asymmetric Wide	5890	6400	89	94	F	1	1	2	1	1	2	454430	454431
	E3	Asymmetric Wide	6810	7400	101	106	F	1	1	2	1	1	2	454433	454434

\*Shielded options available. Contact manufacturer for IES files.

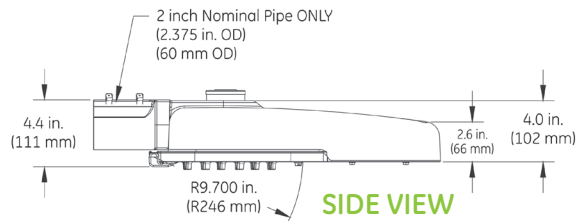
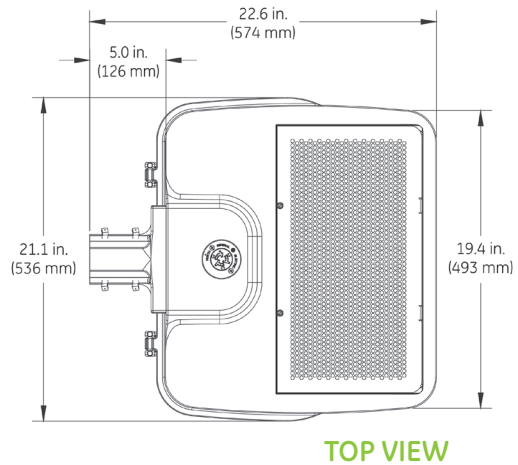
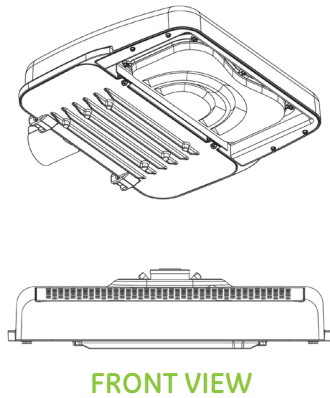
# Product Dimensions

## Small / Single Module Fixture (EASM)

### 10" Arm for Round Pole Mount (Option B)



### Slipfitter Arm Mount (Option C)



<b>DATA</b>	• Approximate Net Weight: 30-33 lbs (14-15 kgs)
	• Effective Projected Area (EPA) with 10" Mounting Arm: 1.11 sq ft max (0.10 sq m)
	• Effective Projected Area (EPA) with Slipfitter: 0.62 sq ft max (0.06 sq m)

# Mounting Information

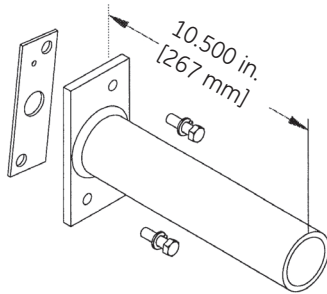
## Mounting Arms for Slipfitter

Order separately with Mounting Option C (External Slipfitter)

## Drilling Templates for Slipfitter Arms & Arm Mount

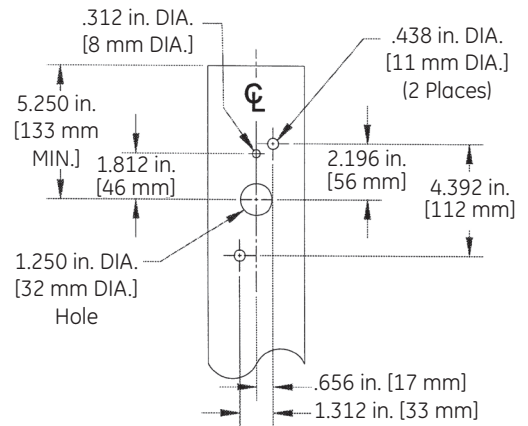
### SQUARE POLE MOUNTING ARM

3.5 TO 4.5-inch (89 to 114mm) SQUARE  
(WILL ALLOW 4 FIXTURES PER POLE @ 90 DEGREES.)



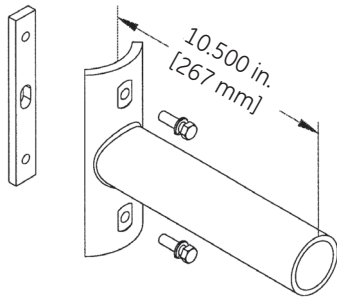
ORDER SEPARATELY FROM FIXTURE AS CATALOG NUMBER  
**SPA-EAMT10BLCK "Black"**  
**SPA-EAMT10DKBZ "Dark Bronze"**

### SQUARE POLE MOUNTING



### ROUND POLE MOUNTING ARM

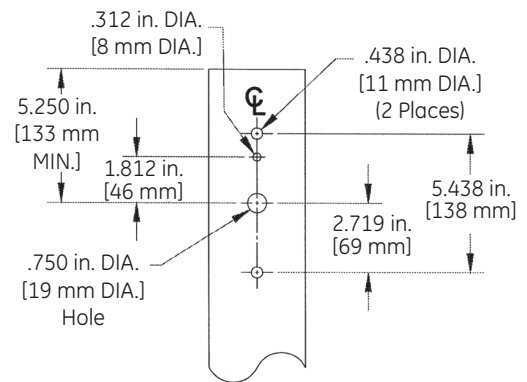
3.5 TO 4.5-inch (89 to 114mm) OD  
(WILL ALLOW 4 FIXTURES PER POLE @ 90 DEGREES.)



ORDER SEPARATELY FROM FIXTURE AS CATALOG NUMBER  
**RPA-EAMT10BLCK "Black"**  
**RPA-EAMT10DKBZ "Dark Bronze"**

### ROUND POLE MOUNTING

3.5 TO 4.5-inch (89 to 114mm) OD  
round pole mounting arm



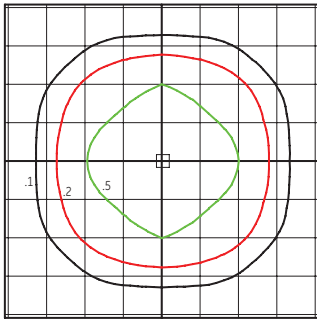
FOR RETROFITS INSTALLATIONS OTHER MOUNTING PATTERNS ARE AVAILABLE.  
CONTACT FACTORY FOR OTHER AVAILABLE MOUNTING PATTERNS



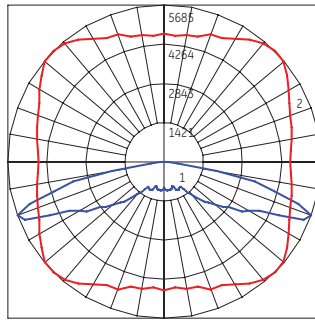
# Photometrics

## Medium / Double Module Fixture (EAMM)

**EAMM Type V – Symmetric Medium (E5)**  
14,800 Lumens, 5700K (GE454491.ies)

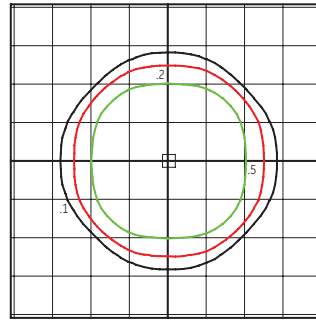


Grid Distance in Units of Mounting Height at 30' Initial Footcandle Values at Grade

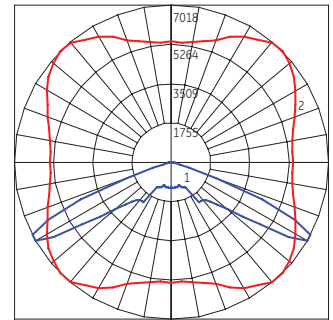


Polar Trace Vertical and Horizontal Plane through Horizontal Angle of Maximum Candlepower

**EAMM Type V - Symmetric Short (P5)**  
14,800 Lumens, 5700K (GE454517.ies)

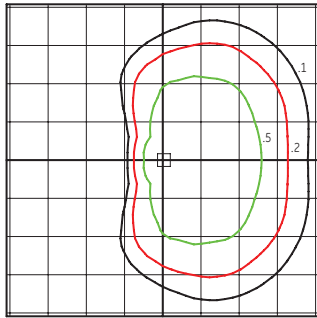


Grid Distance in Units of Mounting Height at 30' Initial Footcandle Values at Grade

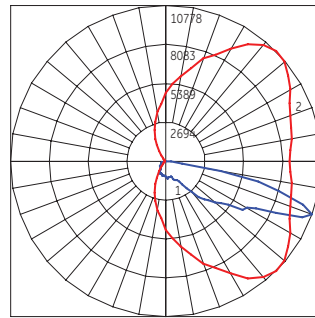


Polar Trace Vertical and Horizontal Plane through Horizontal Angle of Maximum Candlepower

**EAMM Type IV - Asymmetric Forward (M4)**  
14,800 Lumens, 5700K (GE454435.ies)

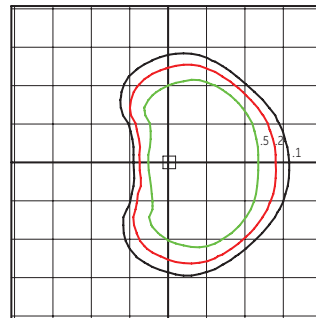


Grid Distance in Units of Mounting Height at 30' Initial Footcandle Values at Grade

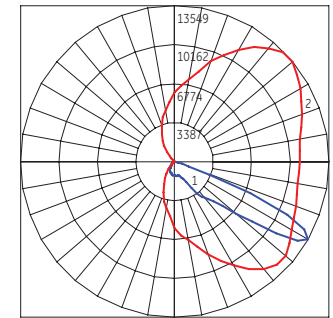


Polar Trace Vertical and Horizontal Plane through Horizontal Angle of Maximum Candlepower

**EAMM Type III - Asymmetric Wide (M3)**  
14,800 Lumens, 5700K (GE454510.ies)



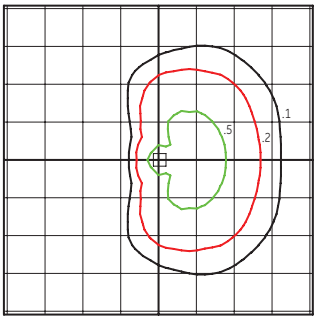
Grid Distance in Units of Mounting Height at 30' Initial Footcandle Values at Grade



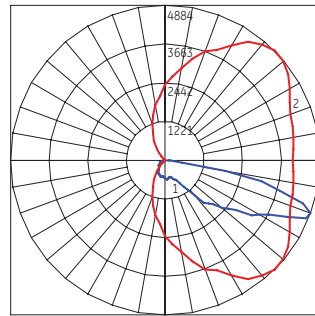
Polar Trace Vertical and Horizontal Plane through Horizontal Angle of Maximum Candlepower

## Small / Single Module Fixture (EASM)

**EASM Type IV - Asymmetric Forward (E4)**  
7,400 Lumens, 5700K (GE454407.ies)

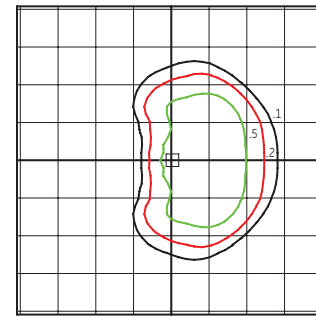


Grid Distance in Units of Mounting Height at 30' Initial Footcandle Values at Grade

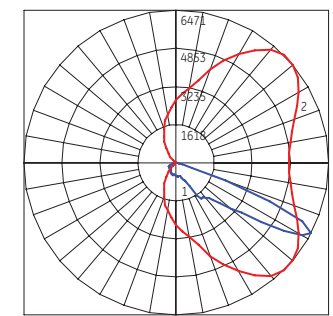


Polar Trace Vertical and Horizontal Plane through Horizontal Angle of Maximum Candlepower

**EASM Type III - Asymmetric Wide (E3)**  
7,400 Lumens, 5700K (GE454434.ies)



Grid Distance in Units of Mounting Height at 30' Initial Footcandle Values at Grade



Polar Trace Vertical and Horizontal Plane through Horizontal Angle of Maximum Candlepower



GE Lighting Solutions • 1-888-MY-GE-LED • [www.gelightingsolutions.com](http://www.gelightingsolutions.com)

1-888-69-43-533

GE Lighting Solutions, LLC is a subsidiary of the General Electric Company. Evolve and the GE brand and logo are trademarks of the General Electric Company.  
© 2012 GE Lighting Solutions, LLC. Information provided is subject to change without notice. All values are design or typical values when measured under laboratory conditions.