

GE  
Lighting Solutions

# Evolve™ LED Flood Light

Wall and Underpass Flood (EFMU)



imagination at work

## Product Features

The Evolve™ LED Wall and Underpass Flood is ideal for simple wall flood applications or for bridge underpass where no maintenance is required. This luminaire features an advanced LED optical system that provides improved lighting control versus a standard HID general flood to optimize distribution to meet photometric requirements. This fixture offers convenient mounting options for both vertical wall surfaces and horizontal ceilings to cover any mounting application required.

The Evolve LED Wall and Underpass Flood offers up to a 50-percent reduction in system energy compared with standard HID systems, depending on applications. This reliable system also offers more than 11 years of service life to significantly reduce maintenance frequency and expense, based on a 50,000 hour life and 12 hours of operation per day. And with an IP66 rating, this robust fixture can be easily sprayed down for cleaning.

### Applications

- General flood requirements, roadway underpasses and pedestrian tunnels utilizing advanced refractive LED optical system providing high uniformity, excellent light distribution.

### Housing

- Cast aluminum housing.
- Functional design incorporates heat sink to ensure maximum heat transfer and long LED life.
- Meets 2G vibration standards per ANSI C136.32-2001.



### Led & Optical Assembly

- Structured LED arrays for optimized photometric patterns.
- Refractors designed to optimize application efficiency.
- Utilizes high brightness LEDs, 70 CRI at 6000K.
- LM-79 tests and reports are performed in accordance with IESNA standards.

### Lumen Maintenance

- System rating is L70 at 50,000 hours

### Ratings

-   listed, suitable for wet locations.
- IP 66 rated optical and electrical enclosure per ANSI C136.25-2009.
- Temperature rated at -40° to 40°C.

### Mounting

- Wall or ceiling mount.

### Finish

- Corrosion resistant polyester powder painted, minimum 2.0 mil. thickness.
- Standard color: Gray.
- Additional colors available with minimum order quantities and extended lead times.

### Electrical

- 120 volt electronic driver. 200-277 volt available with extended lead times.
- System power factor is >90% and THD <20%.
- Class "A" audible sound rating.
- Integral surge protection per IEEE/ANSI C62.41.2-2002, 6kV/3kA Location Category C-Low

### Warranty

- 5-year limited system warranty standard.

# Ordering Number Logic

## Wall and Underpass Flood (EFMU)



**E F M U** - - - - **6 0** - **G** - **0** - - - - **S G** - **X X X**

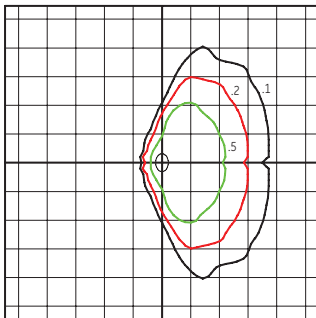
PROD. ID	VOLTAGE	OPTICAL CODE	LED COLOR TEMP	FIXTURE LENS TYPE	PE FUNCTION	MOUNTING ARM	COLOR	OPTIONS
----------	---------	--------------	----------------	-------------------	-------------	--------------	-------	---------

E = LED F = Flood M = Medium U = Underpass	1 = 120 G = 200-277* *Consult factory for lead time		60 = 6000K	G = Tempered Glass	0 = None (not available)	W = Wall Bracket C = Ceiling Bracket	SG = Silver Gray	XXX = Special Options  For other gauge wires, order separate kit below.
---	---	--	------------	--------------------	--------------------------	---	------------------	---

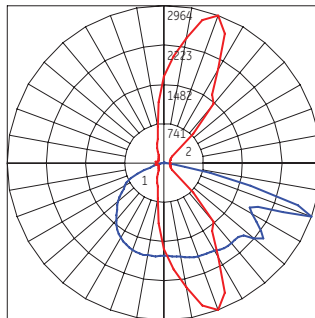
OPTICAL CODE	TYPE	TYPICAL INITIAL LUMENS 6000K		TYPICAL SYSTEM WATTAGE		SUGGESTED UNDERPASS APPLICATIONS	MOUNTING STYLE	IES FILE NUMBER 6000K
		100-127V	200-277V	100-127V	200-277V			
AM	Asymmetric Medium	5400	90	90	90	3-4 Lanes	Wall Mounted	454621
AW	Asymmetric Wide	5400	90	90	90	3-4 Lanes	Wall Mounted	454622
SY	Symmetric	5400	90	90	90	3-4 Lanes	Ceiling Mounted	454623

## Photometrics

**EFMU Asymmetric Medium (AM)**  
5,400 Lumens, 6000K (GE454621.ies)

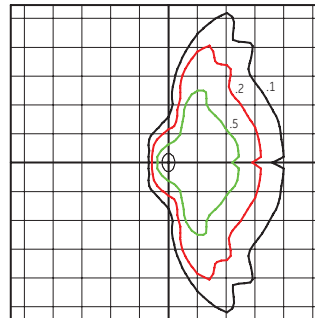


Grid Distance in Units of MH at 16' and 45° tilt

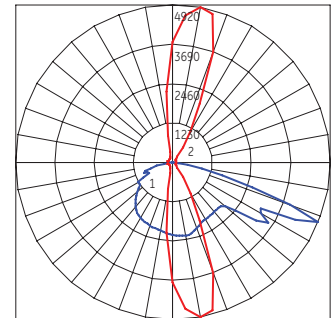


Polar Trace Vertical and Horizontal Plane through Horizontal Angle of Maximum Candpower

**EFMU Asymmetric Wide (AW)**  
5,400 Lumens, 6000K (GE454622.ies)

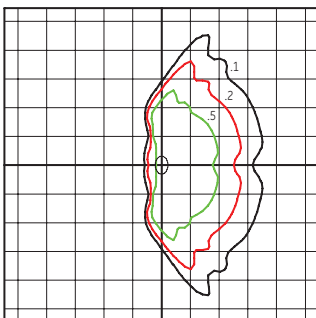


Grid Distance in Units of MH at 16' and 45° tilt

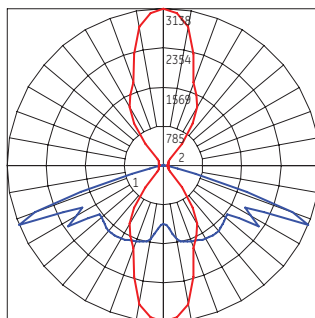


Polar Trace Vertical and Horizontal Plane through Horizontal Angle of Maximum Candpower

**EFMU Symmetric (SY)**  
5,400 Lumens, 6000K (GE454623.ies)



Grid Distance in Units of MH at 16' and 45° tilt



Polar Trace Vertical and Horizontal Plane through Horizontal Angle of Maximum Candpower

## Other Wire Gauge Options

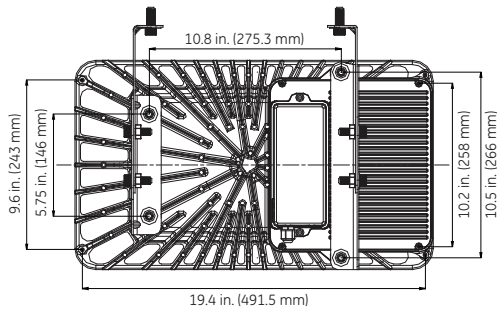
This unit comes standard with a 16 gauge, 6 ft long wire.

To order another gauge wire, please specify one of the following that is field attached:

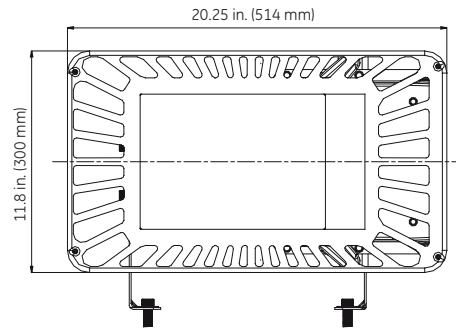
- **EFMU-CABLEPAK-12** Comes with a 12 gauge 6' cable, grommet and knock out plug
- **EFMU-CABLEPAK-14** Comes with a 14 gauge 6' cable, grommet and knock out plug

# Product Dimensions

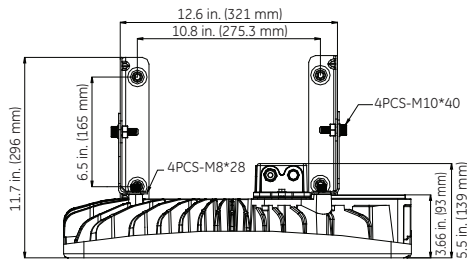
## Wall Mounted



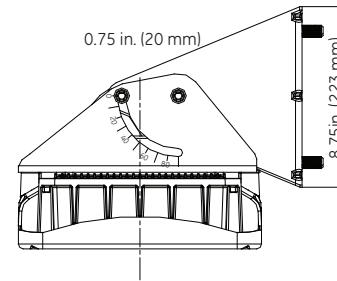
**BACK VIEW**



**FRONT VIEW**

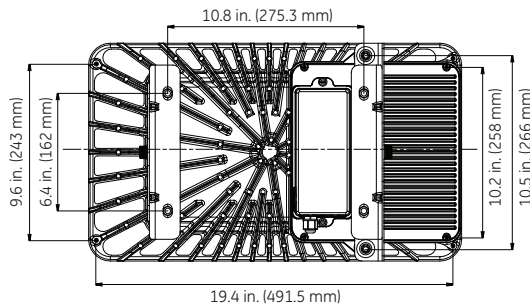


**TOP VIEW**

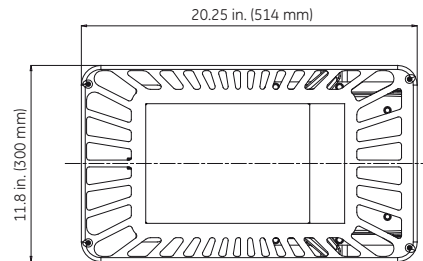


**SIDE VIEW**

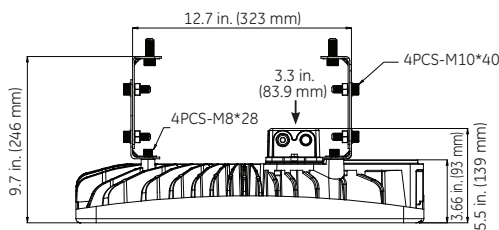
## Ceiling Mounted



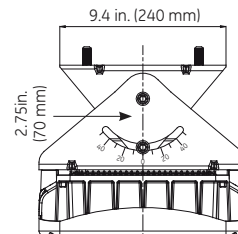
**BACK VIEW**



**FRONT VIEW**



**TOP VIEW**



**SIDE VIEW**

**DATA**

- Approximate Net Weight: 33 lbs (15 kgs)
- Effective Projected Area: 0.95 sq ft max (0.09 sq m)



GE Lighting Solutions • 1-888-MY-GE-LED • [www.gelightingsolutions.com](http://www.gelightingsolutions.com)

1-888-69-43-533

GE Lighting Solutions, LLC is a subsidiary of the General Electric Company. Evolve and the GE brand and logo are trademarks of the General Electric Company. © 2012 GE Lighting Solutions, LLC. Information provided is subject to change without notice. All values are design or typical values when measured under laboratory conditions.