



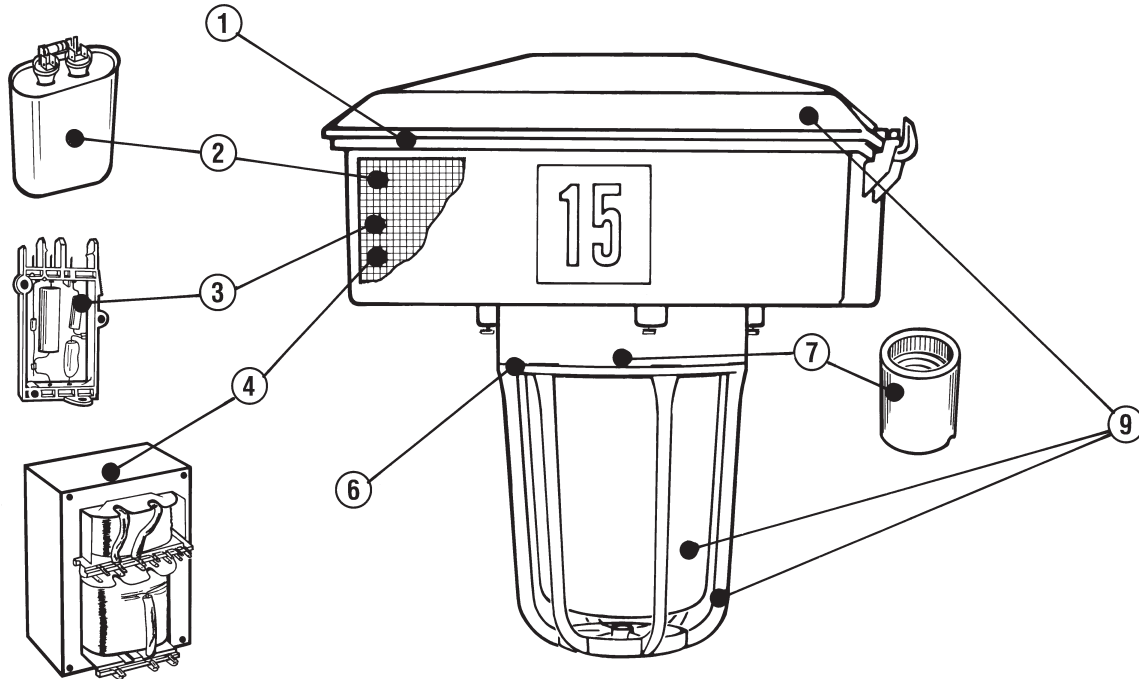
GE
Lighting Solutions

H2, H3, H5

RENEWAL PARTS

FILTR•GARD® H2, (H3, H5) LUMINAIRE

ILLUSTRATIONS SHOWN ARE TYPICAL REPRESENTATIONS



FILTR•GARD® H2, (H3, H5) LUMINAIRE

ORDERING INFORMATION FOR GE LIGHTING SOLUTIONS RENEWAL PARTS

REF. NO.	DESCRIPTION	CATALOG NUMBER
1	Gasket - In lip of ballast housing	35-222472R01
2	Capacitor(s): Secure old catalog # from existing part. Use cross reference for new catalog #.	
3	Ignitor	35-967410-51
4	Ballast Replacement Kit	See back page
5	Automatic Switched Quartz Sensing Board: Secure old catalog # from existing part. Use ignitor cross reference for new catalog number (not shown).	
6	Gasket - On bottom of ballast housing	35-420274R01
7	Socket w/leads and gasket.	35-964640-51
8	Quartz Socket for units with quartz stand-by (not shown).	35-212374R02
9	For Guards, Globes, Covers - See Product Catalog GEA-12000.	
10	Female cable assembly in cover	35-216994R01

Continued on back page

H2, H3, H5
RENEWAL PARTS

FILTR•GARD® H2, (H3, H5) LUMINAIRE

FILTR•GARD® H2, (H3, H5) LUMINAIRE

BALLAST REPLACEMENT PARTS

Consist of core and coil, capacitor, ignitor for HPS, leads and brackets when necessary. Can be used for units with or without switched quartz except where noted, and with or without fuses; however, no sensing board or fuses included. Use old parts or order separately.

WATTAGE	VOLTAGE	BALLAST TYPE	CATALOG NUMBER
HIGH PRESSURE SODIUM (HPS)			
70	120/208/240/277	HPF-Lag	35-969920-R1
70	480	HPF-Reac/Auto-Trans	35-969920-R2
70	480*	Mag-Regulator	35-969920-R3
100	120/208/240/277	HPF-Lag	35-969920-R4
100	480	HPF-Reac/Auto-Trans	35-969920-R5
100	480*	Mag-Regulator	35-969920-R6
150	120/208/240/277	HPF-Lag	35-969920-R7
150	480	HPF-Reac/Auto-Trans	35-969920-R8
150	480*	Mag-Regulator	35-969920-R9
250	120/208/240/277	Auto-Regulator	35-969920-T1
250	480	Auto-Regulator	35-969920-T2
400	120/208/240/277	HPF-Reac/Auto-Trans	35-969920-T9
400	120/208/240/277	Auto-Regulator	35-969920-W2
400	480*	HPF-Reac/Auto-Trans	35-969920-W1
400	480*	Auto-Regulator	35-969920-W3
METAL HALIDE OR MERCURY			
175	120/208/240/277	Auto-Regulator	35-969920-T3
175	480	Auto-Regulator	35-969920-T4
250	120/208/240/277	Auto-Regulator	35-969920-T5
250	480	Auto-Regulator	35-969920-T6
400	120/208/240/277	Auto-Regulator	35-969920-T7
400	480	Auto-Regulator	35-969920-T8

*Cannot be used with switched quartz units.



GE Lighting Solutions • 1-888-MY-GE-LED • www.gelightingsolutions.com
1-888-69-43-533

GE Lighting Solutions is a subsidiary of the General Electric Company. Evolve and other trademarks belong to GE Lighting Solutions. The GE brand and logo are trademarks of the General Electric Company. © 2011 GE Lighting Solutions. Information provided is subject to change without notice. All values are design or typical values when measured under laboratory conditions.