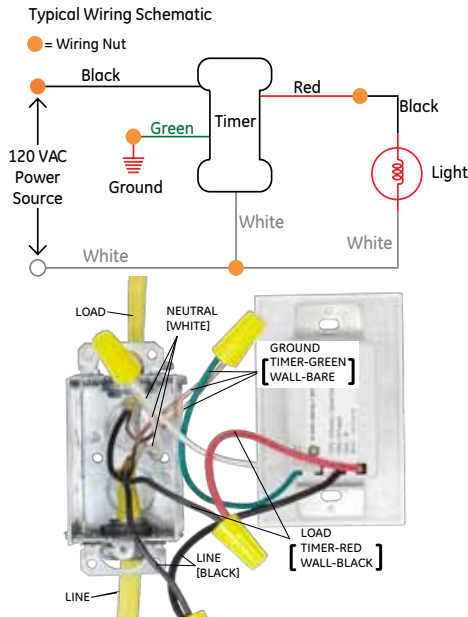


Smart Digital Timer



If you are unsure or unclear about this installation, contact a qualified licensed electrician.

Installation Instruction

1. Turn OFF the main power at the circuit breaker.
2. Remove the existing switch.
3. Connect the wires of Timer and wall box as followed by using the wire nuts provided.
 - a) Connect the Hot/Live wire of main power to the Black wire from Timer.
 - b) Connect the Neutral wires to the White wire from Timer. Often, the neutral wire can be found in the back of the wiring box bound in a wire nut.
 - c) Connect the Hot/Live wire of Load to the Red wire from Timer.
 - d) Connect the Ground wire to the Green wire from Timer.

Note: Be sure that all wire nuts are secure.

4. Tuck the wires into the wall box leaving room for the Timer. Using the screws provided, mount the timer to the wall box being careful not to crush any wires.
5. Place wall-plate over timer and screw in to place using screws provided
6. Turn Main power ON

POWER-UP SEQUENCE:

1. Lift up the bottom of the door using a small slotted screwdriver.
2. Position the slide switch to TIMER.
3. Press the "RESET" button using an insulated tool such as a toothpick.
4. The display should flash 12:00AM on Monday.

Setting Current Time:

1. Press and HOLD the "CLOCK" key during this entire procedure.
2. Press the "HOUR" key to advance the hours.
3. Press the "MIN" key to advance the minutes.
4. Press the "DAY" key to advance the day.
5. If any keys are pressed for a prolonged period, the display will advance rapidly.
6. Release the "CLOCK" key once the time and day have been entered. Now the timer is in operation and ready to be programmed. The colon ":" after the hours will continuously flash indicating that the clock is running.

Programming ON/OFF Events:

1. Press the "PROG" key once. TIMER 1 on --:-- appears.
2. Using the "HOUR" and "MIN" keys enter the desired ON time. See block programming below for selecting different days of the week. When complete press the "PROG" key once.
3. Timer OFF --:-- will be displayed. Using the "HOUR" and "MIN" keys enter the desired OFF time. See block programming below for selecting different days of the week. When complete press the "PROG" key once.
4. If complete press the "CLOCK" key to return to current time and day.
5. Note that a total of 7-ON and 7-OFF events can be programmed.

Block Programming:

1. When programming ON/OFF events, all days are indicated by default. To change the day selection simply keep pressing the "DAY" key and the display will change as follows:
 - a) Monday - Sunday (Default)
 - b) Individual Days (Only select 1 day)
 - c) Monday - Friday
 - d) Saturday and Sunday
 - e) Monday - Saturday (Off Sunday)
 - f) MO, WE, FR
 - g) TU, TR SA
 - h) MO, TU, WE
 - i) TR, FR, SA

DST (Daylight Savings Time)

1. To activate DST press both of the "HOUR" and "MIN" keys at the same time. The present time will increase by an hour and the screen will show "DST"
2. To de-activate DST press the "HOUR" and "MIN" keys at the same time. The "DST" will no-longer be on the screen.

Random, on/off Setting:

This feature sets the timer to switch lights ON and OFF at random intervals while you are out of the house. This function will only operate if one or more programmed switching commands are set.

1. To activate press the "DAY" and "HOUR" keys at the same time. Once activated the "TIMER" symbol will be blinking.
2. To de-activate press the "DAY" and "HOUR" keys at the same time again. The "TIMER" symbol will no longer be on the display.

Reviewing Programs:

1. To review the programs that have been entered, press and release the "PROG" key. Each time you do this you will be able to scroll thru the programs.
2. Any program can be edited by pressing the "HOUR", "MIN", and "DAY" keys. Then press the "PROG" key in order to accept the changes.
3. When complete press the "CLOCK" key to return to current time and day.

Deleting Programs:

1. To delete a particular program simply press the "PROG" key until the desired program is displayed.
2. Then press the "HOUR" and "MIN" keys until --:-- is displayed. Then press the "PROG" key in order to delete this particular program.
3. When complete press the "CLOCK" key to return to current time and day.



Electrical Ratings:

120VAC 60Hz
15A Resistive
15A Tungsten
1HP

*When done programming, close door.

Manual Override:

Pressing the door will override the timer setting and will manually turn the switch ON and OFF.

NOTE:

When you initially program the unit it may be necessary to press the manual override key as the unit will not look back to determine if it should be ON. For example if the current time is 2:00PM and you just programmed the unit to turn ON at 1:00PM, you will need to press the manual override key to turn it ON. Thereafter, the unit will resume normal operation (automatic).

Do not use a metallic object to adjust this timer. Always use a non-metallic object such as a wooden pencil.

MEMORY BACK UP:

This timer is equipped with a rechargeable Ni-Mh battery which will protect your programs during power failure for up to 30 days. No need to replace battery.

Note that the screen blanks if the battery is discharged completely.

 is a trademark of the General Electric Company and is used under license to Jasco Products Company LLC, 10 E. Memorial Road, Oklahoma City, OK 73114.

This Jasco product comes with a 1 year limited warranty. Visit www.jascoproducts.com for details.