

GE
Lighting Solutions

Industrial Lighting

Lowmount™ II (LM5)



imagination at work

Product Features

GE Indoor Lighting luminaires are designed to produce optimum illumination from the lamp, optical system and ballast, while providing specific light patterns for specific applications. These reliable systems help to improve safety and energy savings, while enhancing productivity and efficiency, to put your industrial workplace in the best possible light.

Applications

- For 10-25 ft. (3-8 meter) applications in factories, foundries, canneries and textile, metal, chemical, rubber, food, cement, and other industrial applications




Housing

- Symmetrical heavy-duty die-cast aluminum ballast housing

Finish

- Polyester powder gray or white paint finish

Ratings

-  Listed Suitable for Wet or Damp locations depending on mounting receptacle used
-  Listed for metal halide lamps in polymeric lamp containment barriers
-  Listed to Canadian standards & codes

Mounting

- Threaded slide-in mounting adapter for easy mounting

Reflectors

- Alzak finish on reflector

Unique Features

- 55° C ambient standard
- Unique optical sliding disconnect
- In-line EZ Connect™ plug-in adapter port allows for:
 - hook/loop, cord & NEMA plug
 - plug-in modular wiring systems
 - plug-in fuse kits
- V stabilized injection molded prismatic refractor for low brightness
- Enclosed with activated charcoal filter
- Stick relampable
- Safety chain provisions
- Base-up Mogul base socket - E39 standard allowing maximum efficiency
- Shipped as components: Ballast, Optical
- Magnapack available for ballast
- Pulse start system for metal halide available

Ordering Number Logic

Lowmount™ II (LM5)



LM5

EA

VE

PROD. ID	COLOR	WATTAGE	LIGHT SOURCE	VOLTAGE	BALLAST TYPE	OPTICAL CODE	PHOTOMETRY CODE	MOUNTING CODE	OPTIONS
LM5 = Lowmount II Luminaire	G = Gray W = White	25 = 250 35 = 350 40 = 400	E = Energy Act Compliant Pulse MH (EPMH) S = HPS For International Markets only M = MH P = Pulse Start MH Note: Lamp is vertical base up. Lamp not included.	60Hz 0 = 120/208/240/277 MULTIVOLT 1 = 120 2 = 208 3 = 240 4 = 277 5 = 480 D = 347 F = 120X347 T = 220 50Hz 6 = 220 R = 230 Y = 240 G = 380	See Ballast Selection Table A = Autoreg D = System 3 Bilevel Autoreg G = CANADIAN Mag-Reg (Grounded Socket Shell) H = HPF Reactor or Lag M = Mag-Reg	EA = Enclosed Acrylic w/Trap Door	VE = Fixed	XX = Select Code Below 11 = Pendant mounting 13 = Provision for Slide-on Primary Electrical Disconnect. Order TWOBP Box (Thru Feed Capability Only) Separately. (Not available with W option) 14 = Provision for Slide-on Primary Electrical Disconnect. (Pendant and Thru Feed Capability) Order PED Box Separately. (Not available with W option) 15 = Prewire with EZ-Loop, Cord and Plug Part of "Power Hook". Order Receptacle/Hook Box Separately. (Not CSA/CUL) 31 = Prewire with EZ-Hook, 3-ft (0.9 Meters) #16/3 Cord, and Nema Plug 33 = Prewire with EZ-Loop, 3-ft (0.9 Meters) #16/3 Cord, and Nema Plug (Order locking receptacle hook box separately.) 67 = Pendant, Nut and Hanger Hub Mounting. (For use with "D" or "W", Wet Locations Option, only) MODULAR PREWIRE 41 = ACS with 3-ft (0.9 meter) cord & EZ-Hook 69 = ACS with 6-ft (1.8 meter) cord & EZ-Hook 43 = ACS with 3-ft (0.9 meter) cord & EZ-Loop 70 = ACS with 6-ft (1.8 meter) cord & EZ-Loop PLUG-N-GO 51 = Plug-N-Go with 3 ft. (0.9 meter) Cord & Hook 71 = Plug-N-Go with 6 ft. (1.8meter) Cord & Hook 53 = Plug-N-Go with 3 ft. (0.9 meter) Cord & Loop 72 = Plug-N-Go with 6 ft. (1.8 meter) Cord & Loop Note: ACS = Flex 3+ Plug-N-Go = FSC Series	B = Time Delay Automatically Switched Quartz F = Fusing (Not available with W option and multivolt) G = Secondary Wiring Access. 7/8 in. dia. knockout (Not available with W option) Q = Non-Time Delay Automatically Switched Quartz R = Non-Switched Quartz T = E40 / European Socket W = Wet Location (For use with Mounting 67 only)

Photometric Selection Table

EA, EP OPTICAL - Enclosed Acrylic with Trap Door

Wattage	Light Source	Socket Position	Photometric Curve	Optical Code	Photometry Code
400	MH	2.1	177129	EA	VE
350	EPMH	2.1	177129	EA	VE
400	EPMH	2.1	177129	EA	VE
250	HPS	2.0	178351	EA	VE
400	HPS	2.0	178351	EA	VE

Ballast Selection Table

		Ballast Type / Voltage								
		60HZ					50HZ			
Wattage	Light Source	Multivolt	120, 208, 240, 277, 480	347	120 x 347	220	220	230	240	380
250	HPS	A,M	A,D,G,M	A,D,G	A	A,H	A,H,M	A,H	A,H	M
400	HPS	A,M	A,D,G,M	A,D,G	A	A,H	A,H,M	A,H,M	A,H,M	M
400	MH	A	A,D	A,D	A	A	A	A	A	N/A
PULSE START METAL HALIDE LIGHT SOURCE BALLAST SELECTION TABLE										
250	EPMH	A	A	A	N/A	N/A	N/A	N/A	N/A	N/A
350	EPMH	A	A	A	N/A	N/A	N/A	N/A	N/A	N/A
400	EPMH	A	A	A	N/A	N/A	N/A	N/A	N/A	N/A

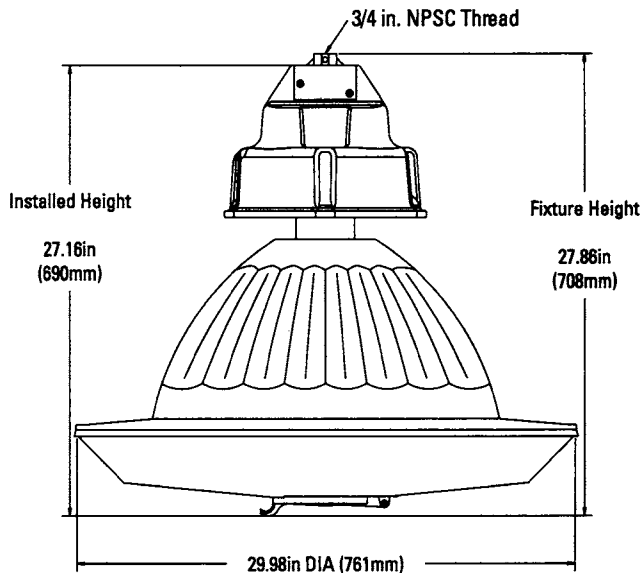
CANADIAN NOTES:

- "A", Autoreg, and "D", Bilevel Autoreg available 120, 277 or 347 volts only
- 208, 240, and 480 volts require CWI ballast. Use "G" when available. Contact factory for all others.
- Multivolt not available.
- 208, 240 and 480 volts with "G" ballast not available with switched quartz.

NOTE: N/A = Not Available

* H is HPF-Linear Reactor available as 277 volt only. Cannot be used with Automatic Switch Quartz Option.

Product Dimensions



DIMENSIONS

For wet location dimensions 1.72 inches (44mm) must be added to overall height.

DATA

- Approximate Net Weight Ballast and Optical: 32-42 lbs (15-19 kgs)



GE Lighting Solutions • 1-888-MY-GE-LED • www.gelightingsolutions.com

1-888-69-43-533

GE Lighting Solutions, LLC is a subsidiary of the General Electric Company. The GE brand and logo are trademarks of the General Electric Company.
© 2012 GE Lighting Solutions, LLC. Information provided is subject to change without notice. All values are design or typical values when measured under laboratory conditions.