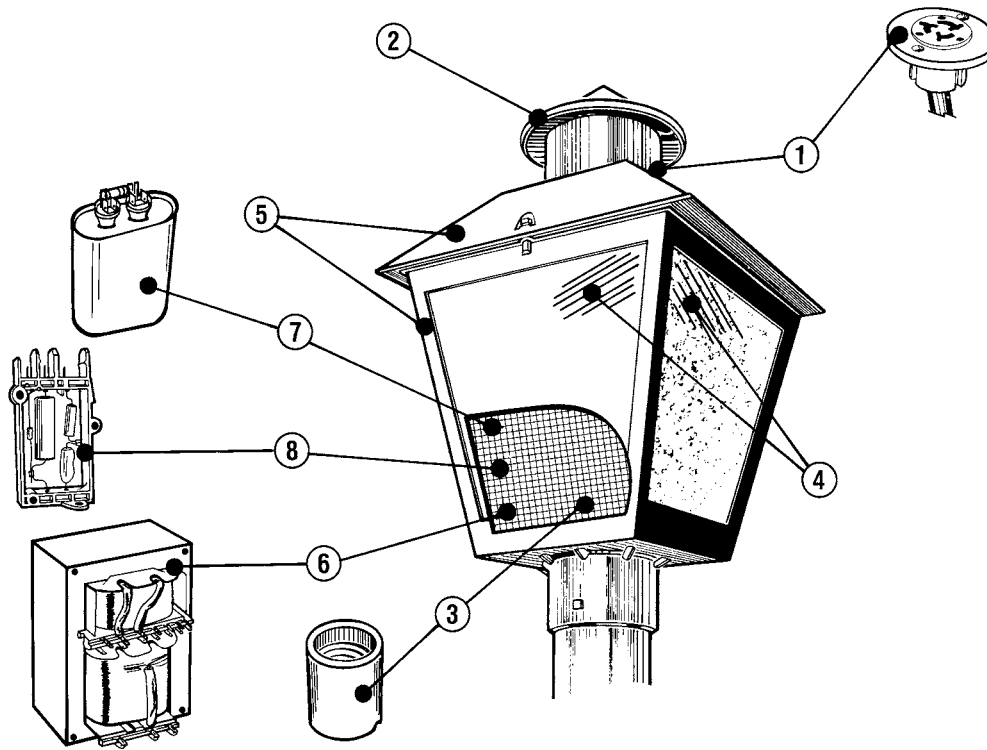




TOWN AND COUNTRY™ LUMINAIRE
ILLUSTRATIONS SHOWN ARE TYPICAL REPRESENTATIONS



TOWN AND COUNTRY™ LUMINAIRE

ORDERING INFORMATION FOR GE LIGHTING SOLUTIONS RENEWAL PARTS

| REF. NO. | DESCRIPTION | CATALOG NUMBER |
|----------|---|----------------|
| 1 | PE Receptacle Assembly | 35-964960-55 |
| 2 | Cupola, (Black) with window for use with units with PE | 35-961860-12 |
| 2 | Cupola, (Black) without window | 35-961860-13 |
| 2A | PE Window Shield | 35-420169R01 |
| 3 | Socket w/leads, mogul base | 35-964640-51 |
| 4 | Acrylic Refractor (for use w/T10R) | 35-963160-01 |
| 4 | Acrylic Refractor (for use w/T10C) | 35-963160-03 |
| 4 | Polycarbonate Refractor (for use w/T10R) | 35-963160-02 |
| 4 | Polycarbonate Refractor (for use w/T10C) | 35-963160-04 |
| 5 | Canopy and Housing, Black | 35-963160-05 |
| 6 | Ballast Replacement Kit | See back page |
| 7 | Capacitor(s): Secure old catalog number from existing part, Use cross reference for new catalog number. | |
| 8 | Ignitor | 35-967410-51 |

Continued on back page

T10C, T10R
RENEWAL PARTS
TOWN AND COUNTRY™ LUMINAIRE

TOWN AND COUNTRY™ LUMINAIRE

BALLAST REPLACEMENT PARTS

Includes core and coil, capacitor(s) and ignitor where required.

| WATTAGE | VOLTAGE | BALLAST TYPE | CATALOG NUMBER |
|-----------------------------------|-----------------|--------------|----------------|
| HIGH PRESSURE SODIUM (HPS) | | | |
| 50 | 120 | HPF Reactor | 35-961860-E5 |
| 70 | 120 | NPF-Reactor | 35-961860-E7 |
| 70 | 120 | Mag-Reg | 35-961860-F4 |
| 70 | 240 | NPF-Reactor | 35-961860-B1 |
| 70 | 240 | Mag-Reg | 35-961860-F5 |
| 70 | 277 | Mag-Reg | 35-961860-E8 |
| 100 | 120 | NPF-Reactor | 35-961860-F6 |
| 100 | 120 | Mag-Reg | 35-961860-E9 |
| 100 | 240 | NPF-Reactor | 35-961860-F7 |
| 100 | 240 | Mag-Reg | 35-961860-F1 |
| 100 | 277 | Mag-Reg | 35-961860-F2 |
| 100 | 480 | Mag-Reg | 35-961860-F3 |
| 150 | 120 | NPF-Reactor | 35-961860-F8 |
| 150 | 120 | Mag-Reg | 35-961860-F9 |
| 150 | 240 | NPF-Reactor | 35-961860-G1 |
| 150 | 240 | Mag-Reg | 35-961860-G2 |
| 150 | 277 | Mag-Reg | 35-961860-G3 |
| 150 | 480 | Mag-Reg | 35-961860-G4 |
| MERCURY | | | |
| 100 | 120 | NPF-Lag | 35-961860-G5 |
| 100 | 120 | Autoreg | 35-961860-G6 |
| 100 | 240 | NPF-Reactor | 35-961860-G7 |
| 100 | 240 | Autoreg | 35-961860-G8 |
| 100 | 277 | Autoreg | 35-961860-G9 |
| 100 | 480 | Autoreg | 35-961860-H1 |
| 175 | 120 | NPF-Lag | 35-961860-H2 |
| 175 | 120 | Autoreg | 35-961860-H3 |
| 175 | 240 | NPF-Reactor | 35-961860-H4 |
| 175 | 240 | Autoreg | 35-961860-H5 |
| 175 | 277 | Autoreg | 35-961860-H6 |
| 175 | 480 | Autoreg | 35-961860-H7 |
| METAL HALIDE AND MERCURY | | | |
| 175 | 120/208/240/277 | Autoreg | 35-961860-10 |



GE Lighting Solutions • 1-888-MY-GE-LED • www.gelightsolutions.com

1-888-69-43-533

GE Lighting Solutions is a subsidiary of the General Electric Company. Evolve and other trademarks belong to GE Lighting Solutions. The GE brand and logo are trademarks of the General Electric Company. © 2011 GE Lighting Solutions. Information provided is subject to change without notice. All values are design or typical values when measured under laboratory conditions.