

GE
Lighting

Roadway Lighting

M-250A2 Powr/Door (M2AR)



imagination at work

Product Features

From HID to LED, GE continues to push Roadway Lighting to new heights. Recognized for the highest quality and reliability in street, highway, parkway, and commercial applications, GE offers a wide selection of styles to meet the lighting needs of municipalities, utilities, DOT customers and more.

Applications

- For residential streets, parking lots and roadways

Housing

- Die-cast aluminum housing.
- External stainless steel bail latch

Finish

- Polyester powder gray paint finish

Rating

- /c/ Listed for wet location available as an option

Mounting

- Universal two-bolt slipfitter

Reflectors

- ALGLAS™ finish on reflector

Unique Features

- Adjustable mogul base socket (street side) – E39 standard
- No-tool PE receptacle
- Plug-in ignitor
- Plastic pest guard standard (not required for 2 in. pipe)
- Filtered optics
- Powr/Module ballast assembly

Ordering Number Logic

M-250A2 Powr/Door (M2AR)



M2AR

PROD. ID	WATTAGE	LIGHT SOURCE	VOLTAGE	BALLAST TYPE SELECTION	PE FUNCTION	LENS TYPE (PRISMATIC) REFRACTOR	IES DISTRIBUTION TYPE	FILTER	OPTIONS
M2AR = M-250A2	05 = 50 07 = 70 10 = 100 15 = 150 (55V) 17 = 175 20 = 200 25 = 250	E = Energy Act Compliant Pulse MH (EPMH) S = HPS P = PMH Standard: Lamp not included.	60Hz 0 = 120/208/240/277 Multivolt 1 = 120 2 = 208 3 = 240 4 = 277 5 = 480 7 = 120X240 8 = 240V Ballast 120V PE Receptacle not reconnectable D = 347 F = 120X347 T = 220 50Hz 6 = 220 R = 230 Y = 240 NOTE: Dual voltage connected for lower voltage	See Ballast Selection Table A = Autoreg G = Mag-Reg with Grounded Socket Shell H = HPF Reactor or Lag M = Mag-Reg N = NPF Reactor or Lag P = CWI with Grounded Socket Shell S = Series In Top Housing)	1=None 2=PE Receptacle NOTE: Receptacle connected same voltage as unit except as noted. Order PE Control separately.	See Photometric Selection Table A = Acrylic G = Glass L = Polycarbonate NOTE: 150 watt Maximum with Acrylic or Polycarbonate Refractors.	See Photometric Selection Table M = Medium L = Long F = Four-Way) S = Semi-cutoff N = Non-cutoff W = (Four-Way) 2 = Type II 3 = Type III	1 = Fiber gasket 2 = Charcoal with elastomer gasket	F = Fusing (Not available with multivolt or dual voltage) J = Line Surge Protector, Expulsion Type (UL not available) U = /4 listed (all HPS up to 175W MH max) with glass or polycarbonate refractor (60Hz only)

Ballast Selection Table

Wattage	Light Source	Ballast Type/Voltage 60Hz									Ballast Type/Voltage 50Hz			
		Multivolt	120	208	240	277	480	120X240	347** 120X347	240/120 PER	220	220	230	240
50	HPS	H,N	H,N	H,N	H,N	H,N	H,N	H,N	H,N	H,N	N/A	N/A	N/A	N/A
70,100,150 (55V)	HPS	A,H,N	A,G,H,M,N,P	A,G,H,M,N	A,G,H,M,N,P	G,H,M,N	G,M	G,M,P	G*,H,M*,N	G,M,N	N/A	H,M	NH	M**
100/150 (55V)	HPS	N/A	H, N	N/A	N/A	N/A	N/A	N/A	N/A	N/A	N/A	N/A	N/A	N/A
200	HPS	A,P	A,H,N,P	A,H,N,P	A,H,N,P	A,P	A	A,P	P	A,H,N	N/A	N/A	N/A	N/A
250	HPS	A,P	A,H,N,P	A,H,N,P	A,H,N,P	A,P	A,P	A,P	A,P	A,H,N	H	A,H,N	H	A,H
175	EPMH	A	A	A	A	A	A	A	A	A	N/A	N/A	N/A	N/A
100**	PMH	H, N	H, N	H, N	H, N	H, N	H, N	H, N	H, N	H,N	N/A	N/A	N/A	N/A
150**	PMH	N/A	H	H	H	H	N/A	H	H	H	N/A	N/A	N/A	N/A
250	EPMH	A	A	A	A	A	A	A	v	A	N/A	N/A	N/A	N/A

NOTE: N/A = Not Available †Not available in 175W ††150(55V) only *Not available in 120X347V C/F = Contact Manufacturer **Medium Base Socket

Photometric Selection Table

All light sources are clear unless otherwise indicated.

Wattage	Light Source	IES Distribution Type Photometric Curve Number 35 (Socket Position)	Lens Type (Prismatic Refractor)					
			LN3	MN2	MN3	MS2	MS3	FW3
50,70,100,150 (55 V)	HPS	Acrylic	N/A	457232(1A)	457233(2A)	457230 (2B)	457231(2.5B)	N/A
50,70,100,150 (55 V)	HPS	Glass	N/A	457236(1A)	457237(2A)	457234(1.5B)	457235(2.5B)	457268(1A)
50,70,100,150 (55 V)	HPS	Polycarb.	457254(1A)	N/A	457252(2B)	457311	N/A	N/A
200, 250	HPS	Glass	N/A	N/A	N/A	457263(2DH)	457262(1DH)	N/A
175, 250	EPMH	Glass	N/A	457283(1A)	457275(2A)	457276(1B)	457277(2B)	457270(1A)
100, 150	PMH	Glass	N/A	451483(2A)	N/A	N/A	N/A	N/A

NOTE: N/A = Not Available PMH—Contact Manufacturer

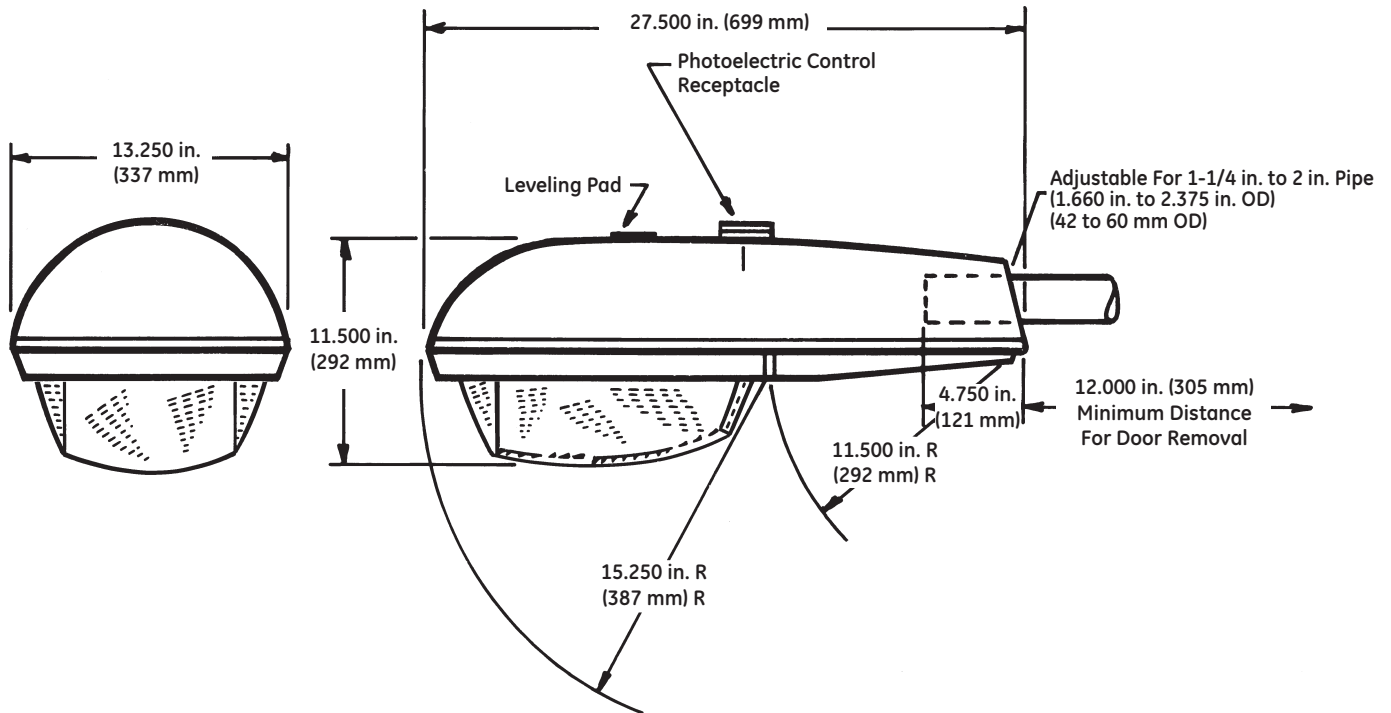
M2AR – Suggested Catalog Ordering Numbers

Catalog Number	Wattage	Light Source	Voltage (60 Hz)	Ballast Type	Refractor Type	Photometric Distribution
M2AR10S1N2AMS21	100	HPS	120	NPF Reactor	Acrylic	MS2
M2AR15S1N2AMS31	150	HPS	120	NPF Reactor	Acrylic	MS3
M2AR25S0A2GMS31	250	HPS	Multivolt	Auto-Regulator	Glass	MS3

All GE suggested catalog ordering numbers come with PE receptacle. PE control must be ordered separately. Order and install SCCL-PECTL if no PE is desired.

Multivolt ballasts can be for either 120, 208, 240, or 277 volt incoming power supply.

Product Dimensions



DATA

- Approximate Net Weight: 20-30 lbs (9-14 kgs)
- Effective Projected Area: 0.7 sq. ft. max. (0.07 sq. M max.)
- Suggested Mounting Height: 20-40 ft. (6-12 M)



www.gelighting.com

GE and the GE Monogram are trademarks of the General Electric Company. All other trademarks are the property of their respective owners. Information provided is subject to change without notice. All values are design or typical values when measured under laboratory conditions. GE Lighting and GE Lighting Solutions, LLC are businesses of the General Electric Company. © 2014 GE.

OLP2936 (Rev 11/04/14)