

GE  
Lighting

# Roadway Lighting

M-400A2 Powr/Door™ (M4AR)



imagination at work

## Product Features

From HID to LED, GE continues to push Roadway Lighting to new heights. Recognized for the highest quality and reliability in street, highway, parkway, and commercial applications, GE offers a wide selection of styles to meet the lighting needs of municipalities, utilities, DOT customers and more.

### Applications

- For street, highway and parking lot lighting

### Housing

- Die-cast aluminum housing.
- External stainless steel bail latch

### Finish

- Polyester powder gray paint finish

### Mounting

- 1.25" - 2" universal four-bolt slipfitter

### Reflectors

- ALGLAS™ finish on reflector

### Unique Features

- Plug-in ignitor
- Filtered Optics
- No-tool PE receptacle
- Powr/Module ballast assembly

# Ordering Number Logic

## M-400A2 Powr/Door™ (M4AR)



**M4AR**      **S**      **G**      **F**

PROD. ID	WATTAGE	LIGHT SOURCE	VOLTAGE	BALLAST TYPE SELECTION	PE FUNCTION	LENS TYPE	IES DISTRIBUTION TYPE	FILTER	OPTIONS
M4AR = M-400A2	15 = 150 (55V) 20 = 200 24 = 250/400 25 = 250 31 = 310 40 = 400  NOTE: Dual wattage connected for lower wattage	S = HPS  Standard: Lamp not included.	60Hz 0 = 120/208/240/277 Multivolt 1 = 120 2 = 208 3 = 240 4 = 277 5 = 480 7 = 120X240 8 = 240V Ballast 120V PE Receptacle not reconnectable  NOTE: 120X240 connected for 120V	See Ballast Selection Table A = Autoreg H = HPF Reactor or Lag M = Mag-Reg N = NPF Reactor or Lag	1=None 2=PE Receptacle  NOTE: Receptacle connected same voltage as unit except as noted. Order PE Control separately.	G = Glass, sag	See Photometric Selection Table  M = Medium S = Semi-cutoff N = Non-Cutoff  2 = Type II 3 = Type III	1 = Fiber gasket 2 = Charcoal with elastomer gasket	F = Fusing (Not available with multivolt or dual voltage)

## Ballast Selection Table

Ballast Type/Voltage									
Wattage	Light Source	Ballast Type							
		Multivolt	120	208	240	277	480	120X240	240/120 PER ECPT
150 (55V)	HPS	H,N	H,M,N	M	M	M	M	H,M,N	M
200	HPS	A,M	A,H,M,N	A,H,M,N	A,H,M,N	A,M	A,M	A,M	A,H,M,N
250	HPS	A,M	A,H,M,N	A,H,M,N	A,H,M,N	A,M	A,M	A,M	A,H,M,N
310	HPS	A,M	A,M	A,H,M,N	A,H,M,N	A,M	A,M	A,M	A,H,M,N
400	HPS	A,M	A,M	A,H,M,N	A,H,M,N	A,M	A,M	A,M	A,H,M,N
250/400	HPS	A	A	A	A	A	A	N/A	N/A

NOTE: N/A = Not available.

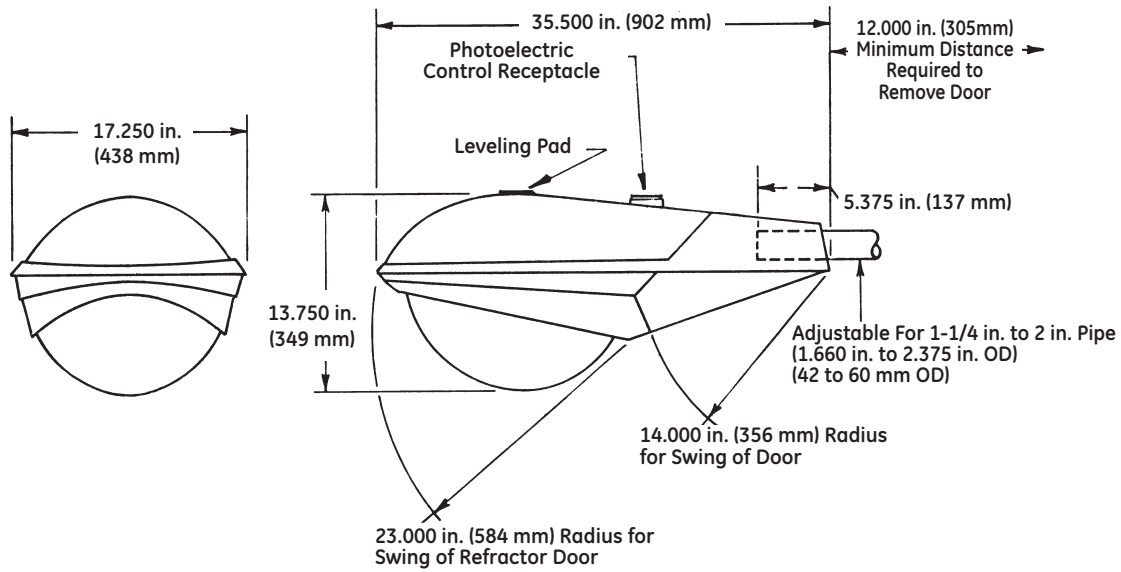
## Photometric Selection Table

All light sources are clear unless otherwise indicated.

Wattage	Light Source	IES Distribution Type Photometric Curve Number 35 (Socket Position) All with glass only			
		MN2	MN3	MS2	MS3
150 (55V)	HPS	N/A	N/A	N/A	177362(3E)
200, 250, 310, 400	HPS	N/A	177322(2A)	N/A	177321(2C)

NOTE: N/A = Not Available    C/F = Contact Manufacturer

## Product Dimensions



### DATA

- Approximate Net Weight: 33-39 lbs (15-18 kgs)
- Effective Projected Area: 1.1 sq. ft. max. (0.1 sq. M max.)
- Suggested Mounting Height: 30-50 ft. (9-15 M)



[www.gelighting.com](http://www.gelighting.com)

GE and the GE Monogram are trademarks of the General Electric Company. All other trademarks are the property of their respective owners. Information provided is subject to change without notice. All values are design or typical values when measured under laboratory conditions. GE Lighting and GE Lighting Solutions, LLC are businesses of the General Electric Company. © 2014 GE.

OLP2929 (Rev 11/04/14)