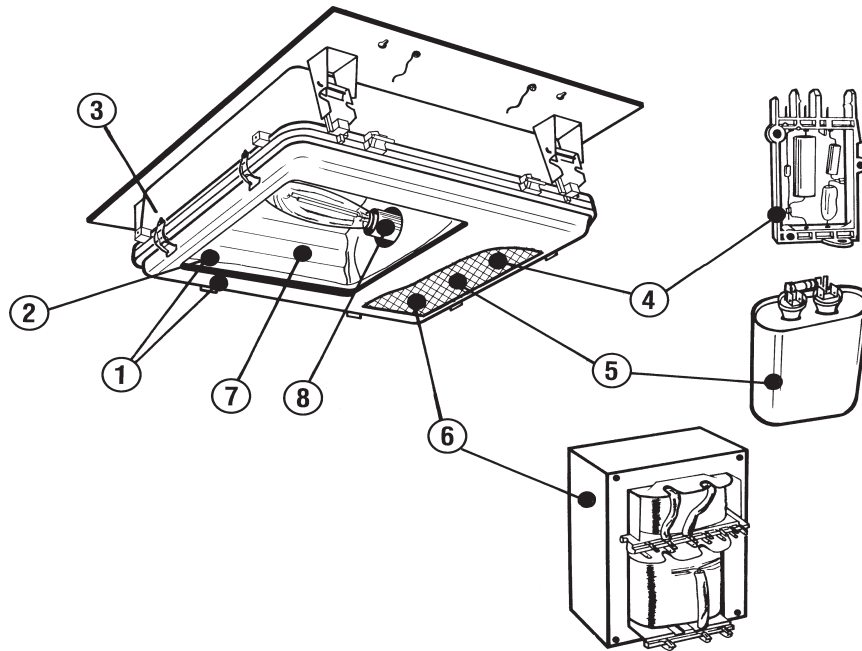




TUNNEL GUARD™ LUMINAIRE

ILLUSTRATIONS SHOWN ARE TYPICAL REPRESENTATIONS



TUNNEL GUARD™ LUMINAIRE

ORDERING INFORMATION FOR GE LIGHTING SOLUTIONS RENEWAL PARTS

REF. NO.	DESCRIPTION	CATALOG NUMBER
1	Door & Glass Assembly - Light Gray	35-963270-16
1	Door & Glass Assembly - Charcoal Gray	35-963270-01
2	Glass only (for ease of installation, item 1 is recommended)	35-311555R01
3	Door Latch	35-963270-17
4	Ignitor - 400 watt and below	35-967410-51
5	Capacitor(s): Secure old catalog number from existing part. Use cross reference for new catalog number.	
6	Ballast replacement trays	See back page
7	Reflector, 70-150 watt HPS, Symmetrical	35-232903R01
7	Reflector, 70-150 watt HPS, MC4	35-232433R01
7	Reflector, 200-400 watt HPS, CBM	35-232888R01
7	Reflector, 200-400 watt HPS, MC3	35-232433R03
8	Socket, mogul base w/leads and gasket	35-964640-51
8	Socket, medium base w/leads and gasket	35-962110-35
9	Door Gasket (not shown)	35-963270-18
10	Latch, fixture to plate (not shown)	35-963270-19
11	Terminal Board - 3 position (not shown)	35-962490-MM

Continued on back page

TUN
RENEWAL PARTS
TUNNEL GUARD™ LUMINAIRE

BALLAST REPLACEMENT PARTS

Includes core and coil, capacitor(s) and ignitor where required.

WATTAGE	VOLTAGE	BALLAST TYPE	CATALOG NUMBER
HIGH PRESSURE SODIUM (HPS)			
70	120/208/240/277	HPF Reactor	35-963270-20
70	480	Mag-Reg	35-963270-21
100	120/208/240/277	HPF Reactor	35-963270-22
100	480	Mag-Reg	35-963270-23
150	120/208/240/277	HPF Reactor	35-963270-24
150	480	Mag-Reg	35-963270-25
200	120/208/240/277	Mag-Reg	35-963270-26
200	480	Mag-Reg	35-963270-27
250	120/208/240/277	Mag-Reg	35-963270-28
250	480	Mag-Reg	35-963270-29
310	120/208/240/277	Mag-Reg	35-963270-30
310	480	Mag-Reg	35-963270-31
400	120/208/240/277	Mag-Reg	35-963270-32
400	480	Mag-Reg	35-963270-33



GE Lighting Solutions • 1-888-MY-GE-LED • www.gelightingsolutions.com
1-888-69-43-533

GE Lighting Solutions is a subsidiary of the General Electric Company. Evolve and other trademarks belong to GE Lighting Solutions. The GE brand and logo are trademarks of the General Electric Company. © 2011 GE Lighting Solutions. Information provided is subject to change without notice. All values are design or typical values when measured under laboratory conditions.