

LTE CPE

Quick installation Guide



WLTMS-110_384041

Connection Guide

Copyright

This DOCUMENT is copyrighted with all rights reserved. No part of this publication may be reproduced, transmitted, transcribed, stored in a retrieval system, or translated into any language in any form by any means without the written permission of Gemtek Technology Co. Ltd.

Notice

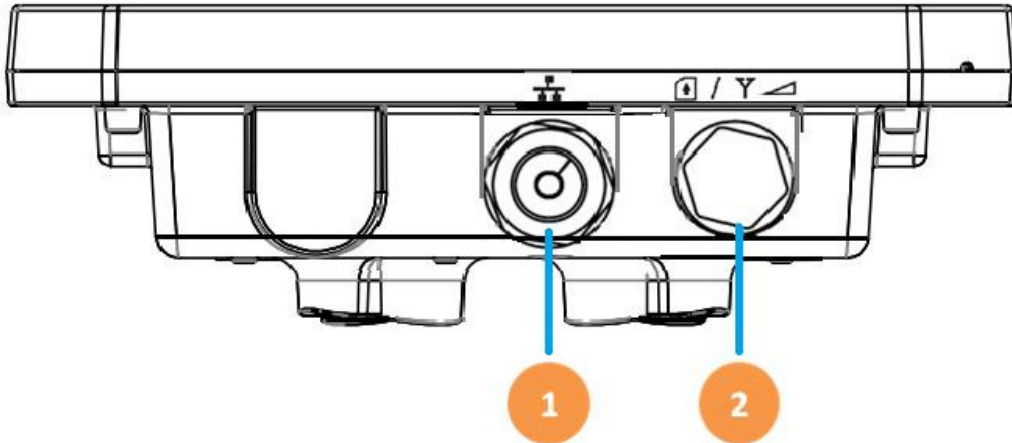
Gemtek reserves the right to change specifications without prior notice.

While the information in this document has been compiled with great care, it may not be deemed an assurance of product characteristics. Gemtek shall be liable only to the degree specified in the terms of sale and delivery.

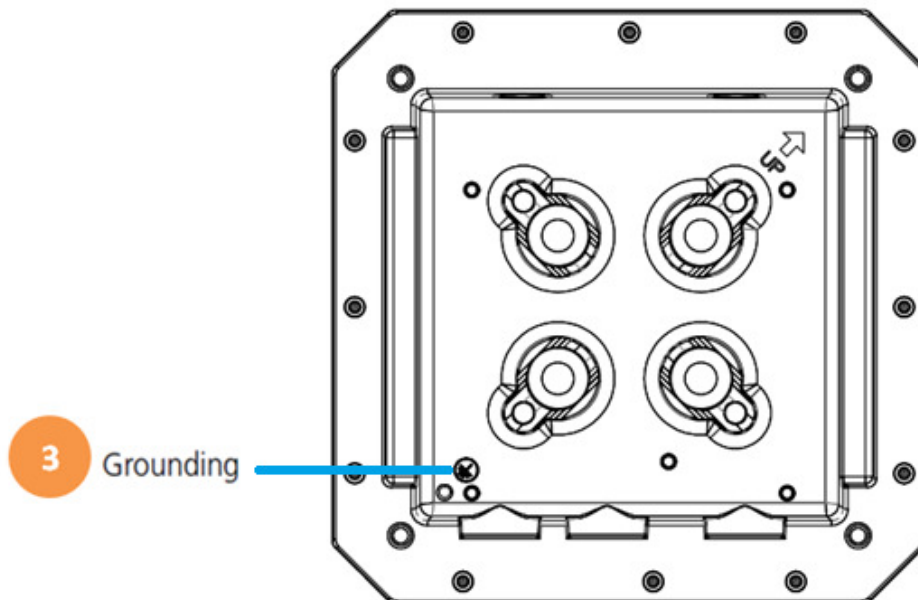
The reproduction and distribution of the documentation and software supplied with this product and the use of its contents is subject to written authorization from Gemtek.

Connectors


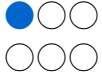
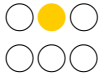
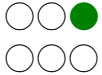
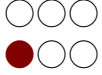


1. One RJ-45 connector for connecting to the PoE adaptor.
2. LED indicator inside and SIM card slot for inserting SIM card.
3. A grounding screw on the rear panel.



The Grounding screw (marked $\overline{\text{T}}$) is located on the rear panel of the ODU.

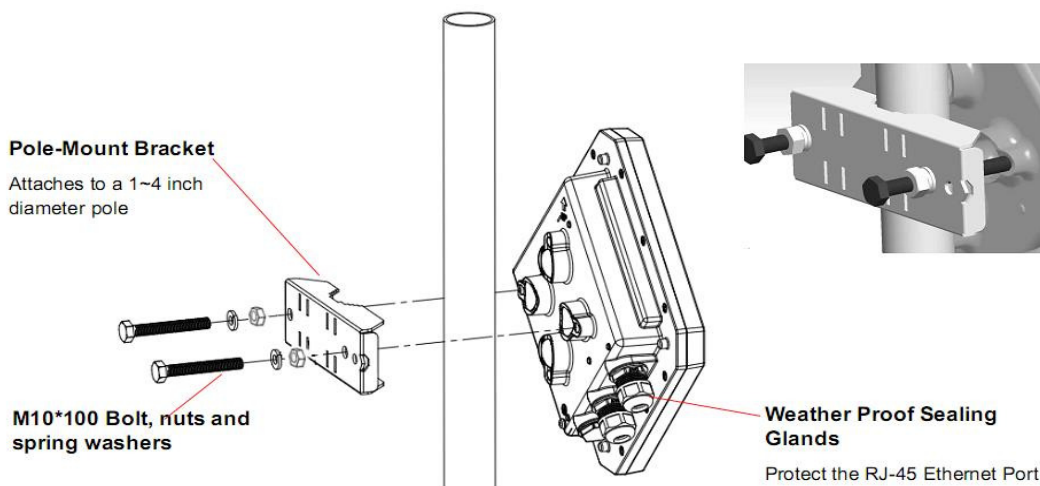


LED Indicators _ODU

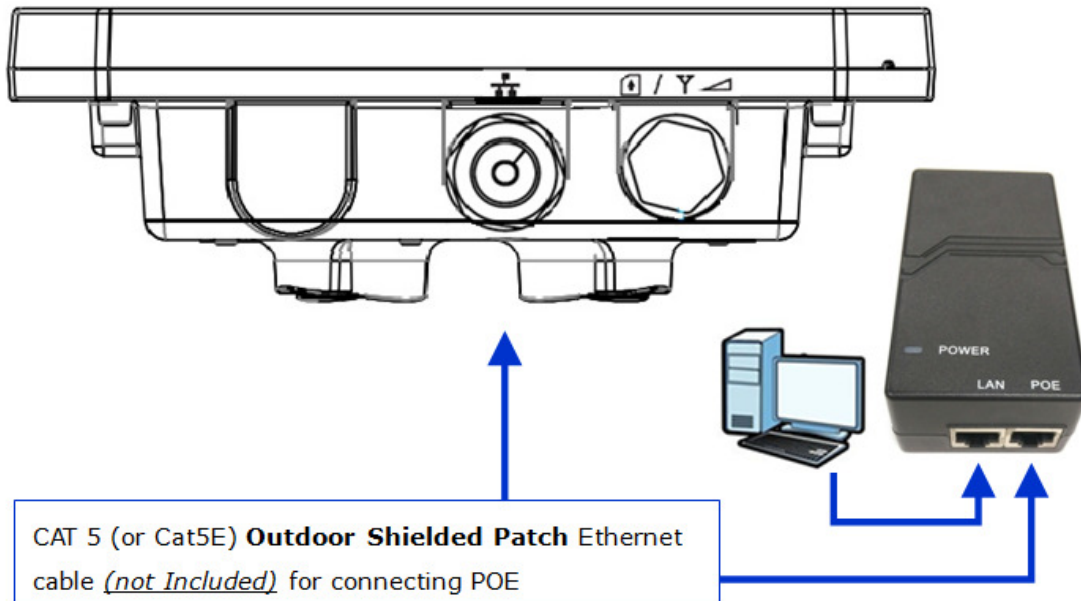
LED name	Location	Color	LED Behavior	Status Indication
LED List				
MAIN power		Blue	ON	Power On
			OFF	Power Off
Ethernet status		Yellow	Steady ON	Ethernet Connected
			Blinking	Data Transmission
			OFF	No Ethernet action
SIM status		Green	Steady ON	SIM Detected
			Blinking when On-hook	PUK / PIN Code
			OFF	No SIM Detected
LTE Status LED : Link Status			When CPE is power on, each LED indicates each link status	
LTE 1		Red	Steady ON	CINR < 8dB
LTE 2		Red/ Yellow	Steady ON	8dB < CINR < 15dB
LTE 3		Red/ Yellow/ Green	Steady ON	15dB < CINR

Installing LTE outdoor CPE

- **Selecting a Location:** LTE Outdoor CPE should be pole-mounted outdoors and aligned so its antenna faces the nearest LTE eNB. When selecting a suitable location for the unit, consider these guidelines:
 - Place LTE Outdoor CPE as high as possible to achieve the best possible link quality.
 - Place the LTE Outdoor CPE away from power and telephone lines.
 - Avoid placing LTE Outdoor CPE too close to any metallic reflective surfaces.
 - Be sure to ground LTE Outdoor CPE with an appropriate grounding wire (not included) by attaching it to the grounding screw on the unit and to a good ground connection.
- **Mounting the ODU:** Mount LTE Outdoor CPE on a 1"-4" pole using the supplied kit, or the optional tilt accessory.
 - **Using the clamp**
 1. Thread the M10*100mm bolt through a spring washer, flat washer and the bracket holes.
 2. With the connector facing downward, attaché LTE Outdoor CPE to a 1"-4" pole.
 3. Attach the bracket to the other side of the pole.
 4. Thread the M10*100mm bolts through both holes on either side, and tighten the nuts.



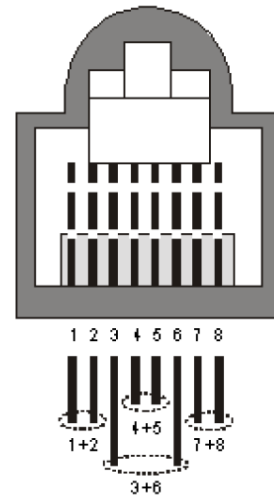
Connecting the Cables



- **Outdoor Connection:** Connect a grounding cable between the Ground terminal of the LTE outdoor CPE and a good ground connection.
- **Preparing and connecting the cable:** Use only UTP-FTP 4x2x24AWG CAT. 5E outdoor cable from an approved manufacturer. The cable provides pin-to-pin connection on both ends.
 - 1. Prepare the cable:** Use a crimp too for RJ-45 connectors to prepare the wires. Insert them into the appropriate pins and use the tool to crimp the connector. Make sure to do the following:
 - Remove as small a length as possible of the external jacket. Verify that the external jacket is well inside the sealing cover when connected to the unit, to ensure good sealing.
 - Pull back the shield drain wire before inserting the cable into the RJ-45 connector, to ensure a good connection with the connector's shield after crimping.

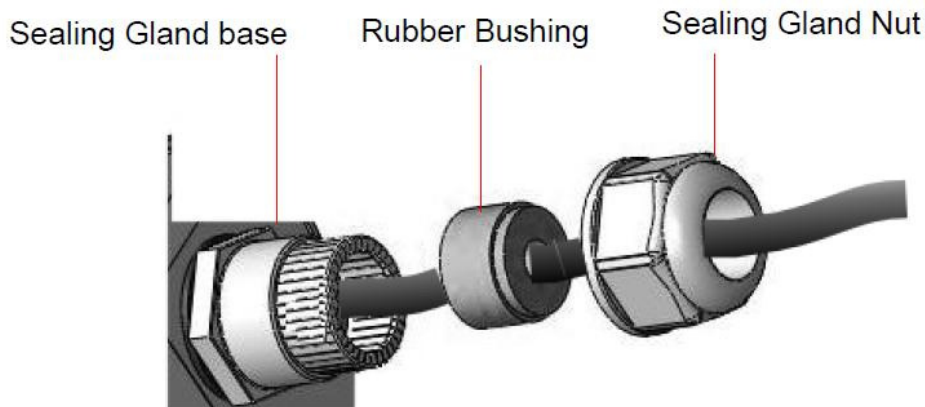
The following figure shows the required wire pair connections. The color codes used in standard cables supplied by the manufacturer are as listed in the table.

Wire color	Pin
Blue	1
Blue/white	2
Orange	3
Orange/white	6
Brown	4
Brown/white	5
Green	7
Green/white	8



2. Connect the cable

- Remove the sealing cable gland plug from the gland nut.
- Open the sealing gland nut and remove it. Do not disassemble the gland base from the bracket.
- Insert the cable into the sealing gland base and connect it to the RJ-45 connector at the bottom of the CPE. Make sure the connector is completely inserted and tightened.
- Insert the rubber bushing on the cable into the gland base.



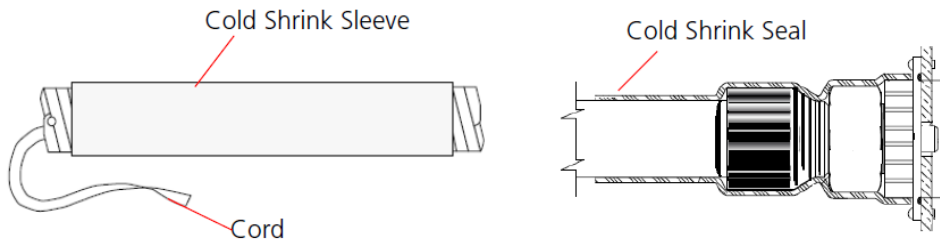
- Tighten the gland nut. Use the dedicated tool for fastening the sealing glands.

3. Seal the connector

- Attach the mastic tape (Scotchfil™ Electrical Insulation Putty) and wrap it around the connector butting up against the connector. Do not over stretch.
- Squeeze to tighten the mastic sealer. Make sure there are no

air bubbles.

- Slide the cold shrink sleeve on top of the connector. Make sure that the sleeve covers both cable connector and unit connector.



- Pull the cord slowly to shrink the sleeve.

- **Indoor Connection**

1. It is assumed that the RJ-45 is already connected to the LTE outdoor CPE. Assemble an RJ-45 connector with a protective cover on the other end of the LTE outdoor CPE cable.
2. Connect the other end of the cable from ODU to the PoE adaptor which labeled "**POE**".
3. Connect RJ45 cable from PoE adaptor which label "**LAN**" to a PC/NB/Hub/Switch.

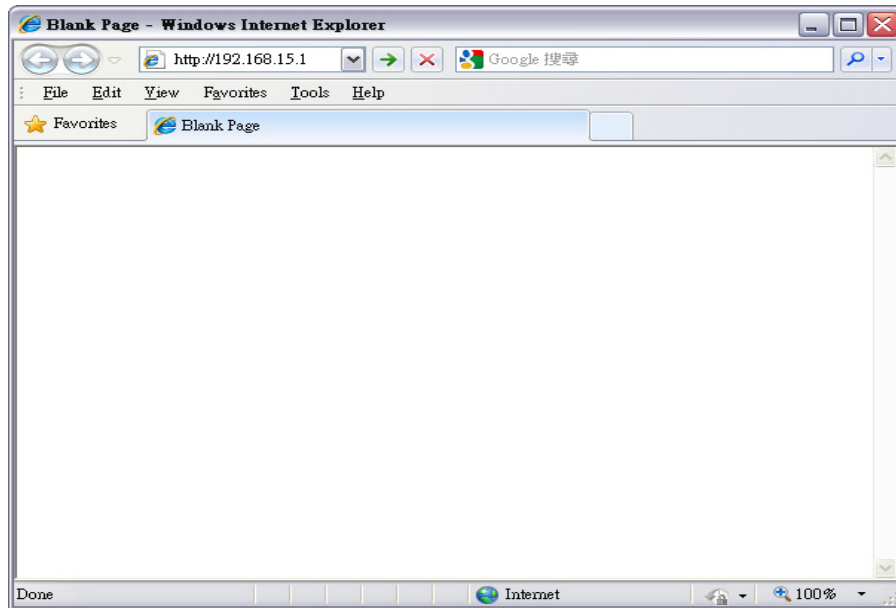


Web Interface

Please follow the steps below to configure your device through the web interface:

Step1: Open the Web browser (Internet Explorer) and enter the default IP address of the ODU CPE, which is :

<http://192.168.15.1>



Web browser

Step2: Enter ODU administrator login username/password to access the web management interface. The default username/password is **administrator/administrator**.



Web management interface

Step3: The page shown here gets displayed in your browser after login; you can now configure the device settings.



GUI Interface

	Mode:	LTE
	Operator:	APN Name
	Signal:	 (More bar means better signal) [red X] (Disconnect, no signal)

Federal Communication Commission Interference Statement

This device complies with Part 15 of the FCC Rules. Operation is subject to the following two conditions: (1) This device may not cause harmful interference, and (2) this device must accept any interference received, including interference that may cause undesired operation.

This equipment has been tested and found to comply with the limits for a Class B digital device, pursuant to Part 15 of the FCC Rules. These limits are designed to provide reasonable protection against harmful interference in a residential installation. This equipment generates, uses and can radiate radio frequency energy and, if not installed and used in accordance with the instructions, may cause harmful interference to radio communications. However, there is no guarantee that interference will not occur in a particular installation. If this equipment does cause harmful interference to radio or television reception, which can be determined by turning the equipment off and on, the user is encouraged to try to correct the interference by one of the following measures:

- Reorient or relocate the receiving antenna.
- Increase the separation between the equipment and receiver.
- Connect the equipment into an outlet on a circuit different from that to which the receiver is connected.
- Consult the dealer or an experienced radio/TV technician for help.

FCC Caution: Any changes or modifications not expressly approved by the party responsible for compliance could void the user's authority to operate this equipment.

This transmitter must not be co-located or operating in conjunction with any other antenna or transmitter.

Radiation Exposure Statement:

This equipment complies with FCC radiation exposure limits set forth for an uncontrolled environment. This equipment should be installed and operated with minimum distance **23** cm between the radiator & your body.

Professional installation instruction

Please be advised that due to the unique function supplied by this product, the device is intended for use with our interactive entertainment software and licensed third-party only. The product will be distributed through controlled distribution channel and installed by trained professional and will not be sold directly to the general public through retail store.

1. Installation personal

This product is designed for specific application and needs to be installed by a qualified personal who has RF and related rule knowledge. The general user shall not attempt to install or change the setting.

2. Installation location

The product shall be installed at a location where the radiating antenna can be kept **23cm** from nearby person in normal operation condition to meet regulatory RF exposure requirement.

3. External antenna

Use only the antennas which have been approved by the applicant. The non-approved antenna(s) may produce unwanted spurious or excessive RF transmitting power which may lead to the violation of **FCC** limit and is prohibited.

4. Installation procedure

Please refer to user's manual for the detail.

5. Warning

Please carefully select the installation position and make sure that the final output power does not exceed the limit set force in relevant rules. The violation of the rule could lead to serious federal penalty.

Instructions d'installation professionnelle

Veillez noter que l'appareil étant dédié à une fonction unique, il doit être utilisé avec notre logiciel propriétaire de divertissement interactif. Ce produit sera proposé par un réseau de distribution contrôlé et installé par des professionnels; il ne sera pas proposé au grand public par le réseau de la grande distribution.

1. Installation

Ce produit est destiné à un usage spécifique et doit être installé par un personnel qualifié maîtrisant les radiofréquences et les règles s'y rapportant. L'installation et les réglages ne doivent pas être modifiés par l'utilisateur final.

2. Emplacement d'installation

En usage normal, afin de respecter les exigences réglementaires concernant l'exposition aux radiofréquences, ce produit doit être installé de façon à respecter une distance de **23cm** entre l'antenne émettrice et les personnes.

3. Antenne externe.

Utiliser uniquement les antennes approuvées par le fabricant. L'utilisation d'autres antennes peut conduire à un niveau de rayonnement essentiel ou non essentiel dépassant les niveaux limites définis par FCC, ce qui est interdit.

4. Procédure d'installation

Consulter le manuel d'utilisation.

5. Avertissement

Choisir avec soin la position d'installation et s'assurer que la puissance de sortie ne dépasse pas les limites en vigueur. La violation de cette règle peut conduire à de graves pénalités fédérales.