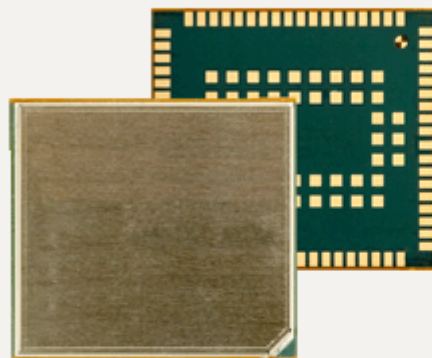


Cinterion[®] EHS6-A

Hardware Interface Overview

Version: 04.000
DocId: EHS6-A_HIO_v04.000



Document Name: **Cinterion® EHS6-A Hardware Interface Overview**

Version: **04.000**

Date: **2019-03-05**

DocId: **EHS6-A_HIO_v04.000**

Status **Confidential / Preliminary**

GENERAL NOTE

THE USE OF THE PRODUCT INCLUDING THE SOFTWARE AND DOCUMENTATION (THE "PRODUCT") IS SUBJECT TO THE RELEASE NOTE PROVIDED TOGETHER WITH PRODUCT. IN ANY EVENT THE PROVISIONS OF THE RELEASE NOTE SHALL PREVAIL. THIS DOCUMENT CONTAINS INFORMATION ON GEMALTO M2M PRODUCTS. THE SPECIFICATIONS IN THIS DOCUMENT ARE SUBJECT TO CHANGE AT GEMALTO M2M'S DISCRETION. GEMALTO M2M GMBH GRANTS A NON-EXCLUSIVE RIGHT TO USE THE PRODUCT. THE RECIPIENT SHALL NOT TRANSFER, COPY, MODIFY, TRANSLATE, REVERSE ENGINEER, CREATE DERIVATIVE WORKS; DISASSEMBLE OR DECOMPILE THE PRODUCT OR OTHERWISE USE THE PRODUCT EXCEPT AS SPECIFICALLY AUTHORIZED. THE PRODUCT AND THIS DOCUMENT ARE PROVIDED ON AN "AS IS" BASIS ONLY AND MAY CONTAIN DEFICIENCIES OR INADEQUACIES. TO THE MAXIMUM EXTENT PERMITTED BY APPLICABLE LAW, GEMALTO M2M GMBH DISCLAIMS ALL WARRANTIES AND LIABILITIES. THE RECIPIENT UNDERTAKES FOR AN UNLIMITED PERIOD OF TIME TO OBSERVE SECRECY REGARDING ANY INFORMATION AND DATA PROVIDED TO HIM IN THE CONTEXT OF THE DELIVERY OF THE PRODUCT. THIS GENERAL NOTE SHALL BE GOVERNED AND CONSTRUED ACCORDING TO GERMAN LAW.

Copyright

Transmittal, reproduction, dissemination and/or editing of this document as well as utilization of its contents and communication thereof to others without express authorization are prohibited. Offenders will be held liable for payment of damages. All rights created by patent grant or registration of a utility model or design patent are reserved.

Copyright © 2019, Gemalto M2M GmbH, a Gemalto Company

Trademark Notice

Gemalto, the Gemalto logo, are trademarks and service marks of Gemalto and are registered in certain countries. Microsoft and Windows are either registered trademarks or trademarks of Microsoft Corporation in the United States and/or other countries. All other registered trademarks or trademarks mentioned in this document are property of their respective owners.

Contents

1	Introduction	6
1.1	Key Features at a Glance	6
1.2	EHS6-A System Overview	10
2	Interface Characteristics	11
2.1	Application Interface	11
2.1.1	USB Interface.....	11
2.1.2	Serial Interface ASC0	12
2.1.3	Serial Interface ASC1	13
2.1.4	UICC/SIM/USIM Interface.....	14
2.1.5	Analog Audio Interface.....	15
2.1.6	Digital Audio Interface.....	15
2.1.7	GPIO Interface	16
2.1.8	I ² C Interface	17
2.1.9	SPI Interface	17
2.1.10	HSIC Interface	17
2.1.11	PWM Interfaces	18
2.1.12	Pulse Counter	18
2.1.13	Status LED.....	18
2.1.14	Fast Shutdown	18
2.2	RF Antenna Interface.....	19
2.2.1	Antenna Installation	20
2.3	Sample Application	21
3	Operating Characteristics	23
3.1	Operating Modes	23
3.2	Power Supply	24
4	Mechanical Dimensions, Mounting and Packaging.....	25
4.1	Mechanical Dimensions of EHS6-A	25
5	Regulatory and Type Approval Information	27
5.1	Directives and Standards.....	27
5.2	SAR requirements specific to portable mobiles	30
5.3	Reference Equipment for Type Approval.....	31
5.4	Compliance with FCC and IC Rules and Regulations	32
6	Document Information.....	33
6.1	Revision History	33
6.2	Related Documents	33
6.3	Terms and Abbreviations	33
6.4	Safety Precaution Notes	37
7	Appendix.....	38
7.1	List of Parts and Accessories.....	38

Tables

Table 1:	Signals of the SIM interface (SMT application interface)	14
Table 2:	GPIO lines and possible alternative assignment.....	16
Table 3:	Return loss in the active band.....	19
Table 4:	Overview of operating modes	23
Table 5:	Directives	27
Table 6:	Standards of North American type approval	27
Table 7:	Standards of European type approval.....	27
Table 8:	Requirements of quality	28
Table 9:	Standards of the Ministry of Information Industry of the People's Republic of China	28
Table 10:	Toxic or hazardous substances or elements with defined concentration limits	29
Table 11:	List of parts and accessories.....	38
Table 12:	Molex sales contacts (subject to change)	39

Figures

Figure 1:	EHS6-A system overview.....	10
Figure 2:	USB circuit	11
Figure 3:	Serial interface ASC0.....	12
Figure 4:	Serial interface ASC1	13
Figure 5:	External UICC/SIM/USIM card holder circuit	15
Figure 6:	Schematic diagram of EHS6-A sample application.....	22
Figure 7:	EHS6-A– top and bottom view	25
Figure 8:	Dimensions of EHS6-A (all dimensions in mm)	26
Figure 9:	Reference equipment for Type Approval	31

1 Introduction

This document¹ describes the hardware of the Cinterion® EHS6-A module. It helps you quickly retrieve interface specifications, electrical and mechanical details and information on the requirements to be considered for integrating further components.

1.1 Key Features at a Glance

Feature	Implementation
<i>General</i>	
Frequency bands	GSM/GPRS/EDGE: Quad band 850/900/1800/1900MHz UMTS/HSPA+: Five band 800/850/900/1900/2100MHz
GSM class	Small MS
Output power	Class 4 (+33dBm ±2dB) for EGSM850 Class 4 (+33dBm ±2dB) for EGSM900 Class 1 (+30dBm ±2dB) for GSM1800 Class 1 (+30dBm ±2dB) for GSM1900 Class E2 (+27dBm ± 3dB) for GSM 850 8-PSK Class E2 (+27dBm ± 3dB) for GSM 900 8-PSK Class E2 (+26dBm +3 /-4dB) for GSM 1800 8-PSK Class E2 (+26dBm +3 /-4dB) for GSM 1900 8-PSK Class 3 (+24dBm +1/-3dB) for UMTS 2100, WCDMA FDD BdI Class 3 (+24dBm +1/-3dB) for UMTS 1900, WCDMA FDD BdII Class 3 (+24dBm +1/-3dB) for UMTS 900, WCDMA FDD BdVIII Class 3 (+24dBm +1/-3dB) for UMTS 850, WCDMA FDD BdV Class 3 (+24dBm +1/-3dB) for UMTS 800, WCDMA FDD BdVI
Power supply	3.3V to 4.5V
Operating temperature (board temperature)	Normal operation: -30°C to +85°C Extended operation: -40°C to +90°C
Physical	Dimensions: 27.6mm x 25.4mm x 2.2mm Weight: approx. 3.5g
RoHS	All hardware components fully compliant with EU RoHS Directive
<i>HSPA features</i>	
3GPP Release 6, 7	DL 7.2Mbps, UL 5.7Mbps HSDPA Cat.8 / HSUPA Cat.6 data rates Compressed mode (CM) supported according to 3GPP TS25.212
<i>UMTS features</i>	
3GPP Release 4	PS data rate – 384 kbps DL / 384 kbps UL CS data rate – 64 kbps DL / 64 kbps UL

1. The document is effective only if listed in the appropriate Release Notes as part of the technical documentation delivered with your Gemalto M2M product.

1.1 Key Features at a Glance

Feature	Implementation
<i>GSM/GPRS/EGPRS features</i>	
Data transfer	<p>GPRS:</p> <ul style="list-style-type: none"> • Multislot Class 12 • Full PBCCH support • Mobile Station Class B • Coding Scheme 1 – 4 <p>EGPRS:</p> <ul style="list-style-type: none"> • Multislot Class 12 • EDGE E2 power class for 8 PSK • Downlink coding schemes – CS 1-4, MCS 1-9 • Uplink coding schemes – CS 1-4, MCS 1-9 • SRB loopback and test mode B • 8-bit, 11-bit RACH • PBCCH support • 1 phase/2 phase access procedures • Link adaptation and IR • NACC, extended UL TBF • Mobile Station Class B <p>CSD:</p> <ul style="list-style-type: none"> • V.110, RLP, non-transparent • 9.6kbps • USSD
SMS	<p>Point-to-point MT and MO</p> <p>Cell broadcast</p> <p>Text and PDU mode</p> <p>Storage: SIM card plus SMS locations in mobile equipment</p>
Audio	<p>Speech codecs:</p> <ul style="list-style-type: none"> • Half rate HR (ETS 06.20) • Full rate FR (ETS 06.10) • Enhanced full rate EFR (ETS 06.50/06.60/06.80) • Adaptive Multi Rate AMR <p>7 different ringing tones/melodies</p>
<i>Software</i>	
AT commands	<p>Hayes 3GPP TS 27.007, TS 27.005, Gemalto M2M</p> <p>AT commands for RIL compatibility</p>
Java™ Open Platform	<p>Java™ Open Platform with</p> <ul style="list-style-type: none"> • Java™ profile IMP-NG & CLDC 1.1 HI • Secure data transmission via HTTPS/SSL • Multi-threading programming and multi-application execution <p>Major benefits: seamless integration into Java applications, ease of programming, no need for application microcontroller, extremely cost-efficient hardware and software design – ideal platform for industrial GSM applications.</p> <p>The memory space available for Java programs is around 13MB in the flash file system and around 10MB RAM. Application code and data share the space in the flash file system and in RAM.</p>

1.1 Key Features at a Glance

Feature	Implementation
Microsoft™ compatibility	RIL for Pocket PC and Smartphone
SIM Application Toolkit	SAT Release 99
Firmware update	Generic update from host application over ASC0 or USB modem.
<i>Interfaces</i>	
Module interface	<p>Surface mount device with solderable connection pads (SMT application interface). Land grid array (LGA) technology ensures high solder joint reliability and allows the use of an optional module mounting socket.</p> <p>For more information on how to integrate SMT modules see also [3]. This application note comprises chapters on module mounting and application layout issues as well as on additional SMT application development equipment.</p>
USB	USB 2.0 High Speed (480Mbit/s) device interface, Full Speed (12Mbit/s) compliant
2 serial interfaces	<p>ASC0 (shared with GPIO lines):</p> <ul style="list-style-type: none"> • 8-wire modem interface with status and control lines, unbalanced, asynchronous • Adjustable baud rates: 300bps to 921,600bps • Autobauding: 300bps to 230,400bps • Supports RTS0/CTS0 hardware flow control. <p>ASC1 (shared with GPIO lines):</p> <ul style="list-style-type: none"> • 4-wire, unbalanced asynchronous interface • Adjustable baud rates: 300bps to 921,60bps • Autobauding: 300bps to 230,400bps • Supports RTS1/CTS1 hardware flow control
Audio	<p>1 analog interface (with microphone feeding)</p> <p>1 digital interface (PCM), shared with GPIO lines</p>
UICC interface	Supported SIM/USIM cards: 3V, 1.8V
GPIO interface	<p>14 GPIO lines shared with ASC0 lines, LED signalling, PWM functionality, fast shutdown and pulse counter</p> <p>4 GPIO lines shared with PCM interface</p> <p>4 GPIO lines shared with ASC1, SPI and HSIC interfaces</p>
I ² C interface	Supports I ² C serial interface
HSIC interface	High-Speed Inter-Chip (HSIC) interface for USB chip-to-chip interconnect including Link Power Management (LPM) lines shared with GPIO lines
SPI interface	Serial peripheral interface, shared with GPIO lines
Antenna interface pads	50Ω
<i>Power on/off, Reset</i>	
Power on/off	<p>Switch-on by hardware signal AUTO_ON and ON</p> <p>Switch-off by AT command</p> <p>Switch off by hardware signal FST_SHDN instead of AT command</p> <p>Automatic switch-off in case of critical temperature and voltage conditions</p>
Reset	<p>Orderly shutdown and reset by AT command</p> <p>Emergency reset by hardware signal EMERG_RST</p>

1.1 Key Features at a Glance

Feature	Implementation
<i>Special features</i>	
Real time clock	Timer functions via AT commands
Phonebook	SIM and phone
TTY/CTM support	Integrated CTM modem
<i>Evaluation kit</i>	
Evaluation module	EHS6-A module soldered onto a dedicated PCB that can be connected to an adapter in order to be mounted onto the DSB75.
DSB75	DSB75 Development Support Board designed to test and type approve Gemalto M2M modules and provide a sample configuration for application engineering. A special adapter is required to connect the EHS6-A evaluation module to the DSB75.

1.2 EHS6-A System Overview

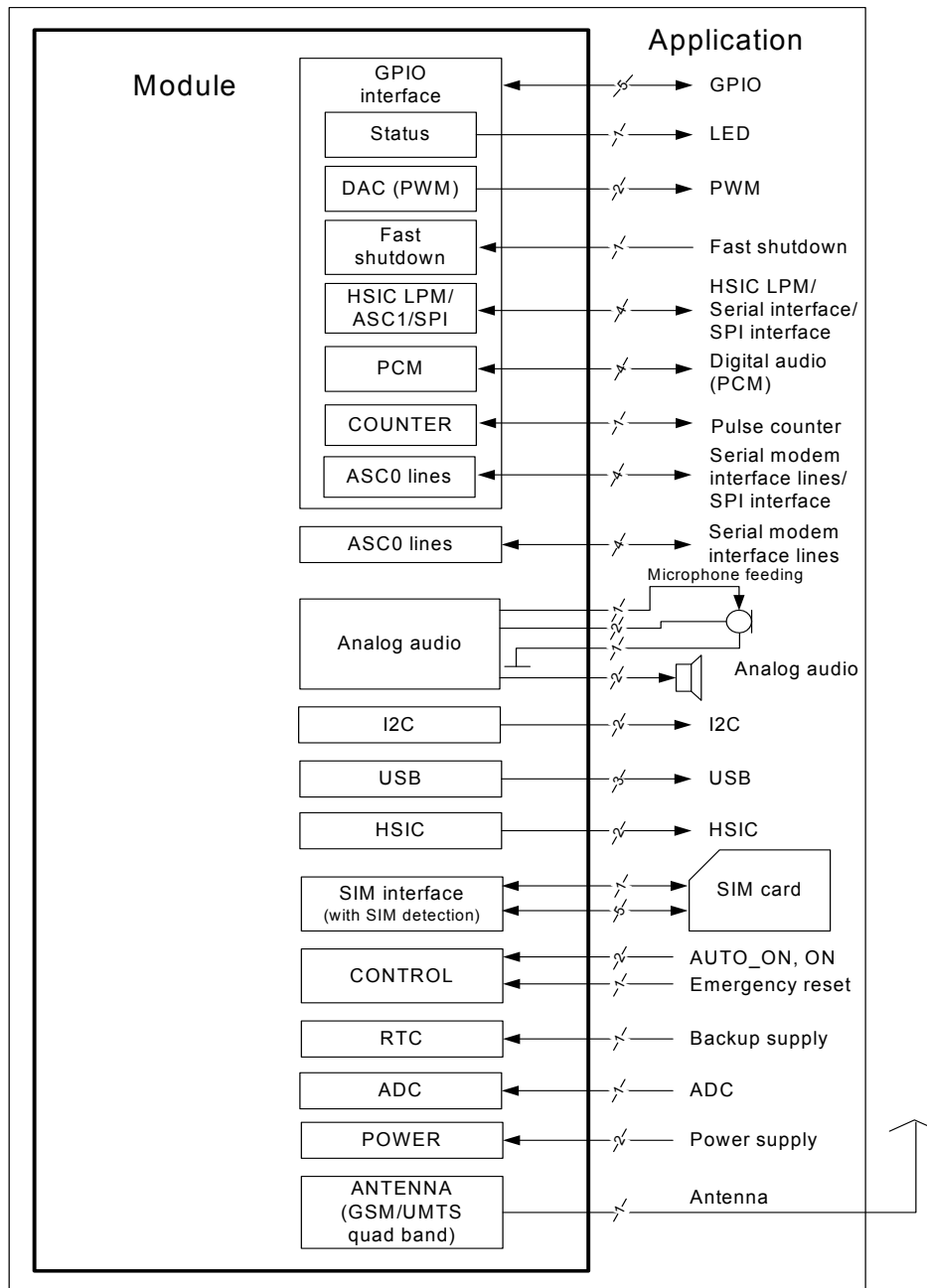


Figure 1: EHS6-A system overview

2 Interface Characteristics

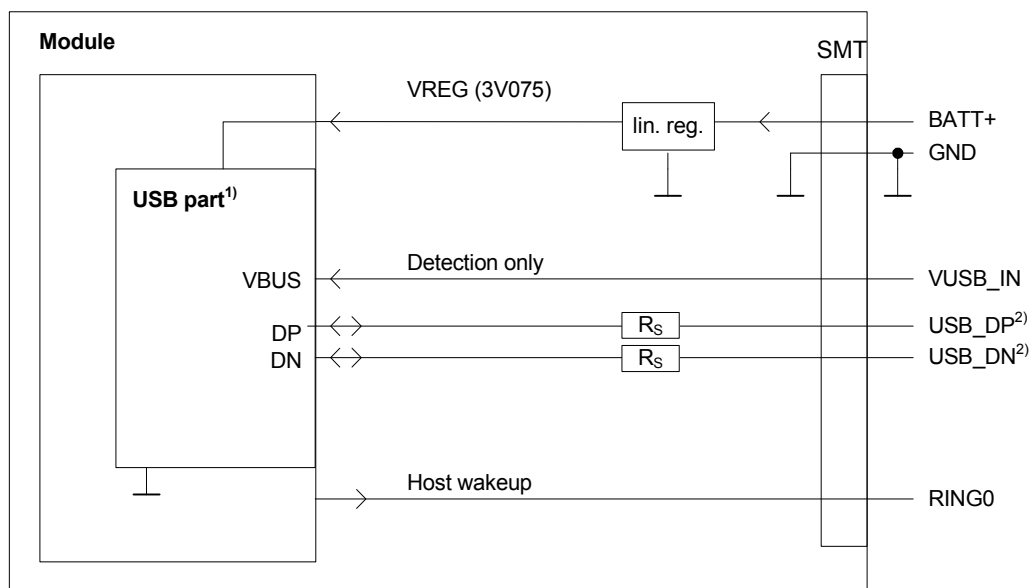
EHS6-A is equipped with an SMT application interface that connects to the external application. The SMT application interface incorporates the various application interfaces as well as the RF antenna interface.

2.1 Application Interface

2.1.1 USB Interface

EHS6-A supports a USB 2.0 High Speed (480Mbit/s) device interface that is Full Speed (12Mbit/s) compliant. The USB interface is primarily intended for use as command and data interface and for downloading firmware.

The external application is responsible for supplying the VUSB_IN line. This line is used for cable detection only. The USB part (driver and transceiver) is supplied by means of BATT+. This is because EHS6-A is designed as a self-powered device compliant with the “Universal Serial Bus Specification Revision 2.0”¹.



¹) All serial (including R_S) and pull-up resistors for data lines are implemented.

²) If the USB interface is operated in High Speed mode (480MHz), it is recommended to take special care routing the data lines USB_DP and USB_DN. Application layout should in this case implement a differential impedance of 90 ohms for proper signal integrity.

Figure 2: USB circuit

To properly connect the module's USB interface to the external application, a USB 2.0 compatible connector and cable or hardware design is required. Furthermore, the USB modem driver distributed with EHS6-A needs to be installed.

1. The specification is ready for download on <http://www.usb.org/developers/docs/>

2.1.2 Serial Interface ASC0

EHS6-A offers an 8-wire unbalanced, asynchronous modem interface ASC0 conforming to ITU-T V.24 protocol DCE signalling. The electrical characteristics do not comply with ITU-T V.28. The significant levels are 0V (for low data bit or active state) and 1.8V (for high data bit or inactive state).

EHS6-A is designed for use as a DCE. Based on the conventions for DCE-DTE connections it communicates with the customer application (DTE) using the following signals:

- Port TXD @ application sends data to the module's TXD0 signal line
- Port RXD @ application receives data from the module's RXD0 signal line

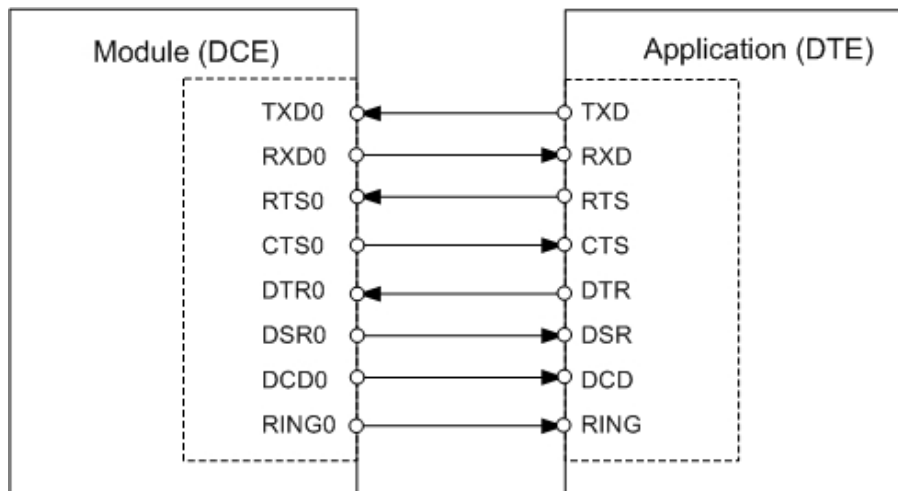


Figure 3: Serial interface ASC0

Features:

- Includes the data lines TXD0 and RXD0, the status lines RTS0 and CTS0 and, in addition, the modem control lines DTR0, DSR0, DCD0 and RING0.
- The RING0 signal serves to indicate incoming calls and other types of URCs (Unsolicited Result Code). It can also be used to send pulses to the host application, for example to wake up the application from power saving state.
- Configured for 8 data bits, no parity and 1 stop bit.
- ASC0 can be operated at fixed bit rates from 300bps up to 921,600bps.
- Autobauding supports bit rates from 300bps up to 230,400bps.
- Supports RTS0/CTS0 hardware flow control. The hardware hand shake line RTS0 has an internal pull down resistor causing a low level signal, if the line is not used and open. Although hardware flow control is recommended, this allows communication by using only RXD and TXD lines.
- Wake up from SLEEP mode by RTS0 activation (high to low transition).

2.1.3 Serial Interface ASC1

Four EHS6-A GPIO lines can be configured as ASC1 interface signals to provide a 4-wire unbalanced, asynchronous modem interface ASC1 conforming to ITU-T V.24 protocol DCE signalling. The electrical characteristics do not comply with ITU-T V.28. The significant levels are 0V (for low data bit or active state) and 1.8V (for high data bit or inactive state).

EHS6-A is designed for use as a DCE. Based on the conventions for DCE-DTE connections it communicates with the customer application (DTE) using the following signals:

- Port TXD @ application sends data to module's TXD1 signal line
- Port RXD @ application receives data from the module's RXD1 signal line

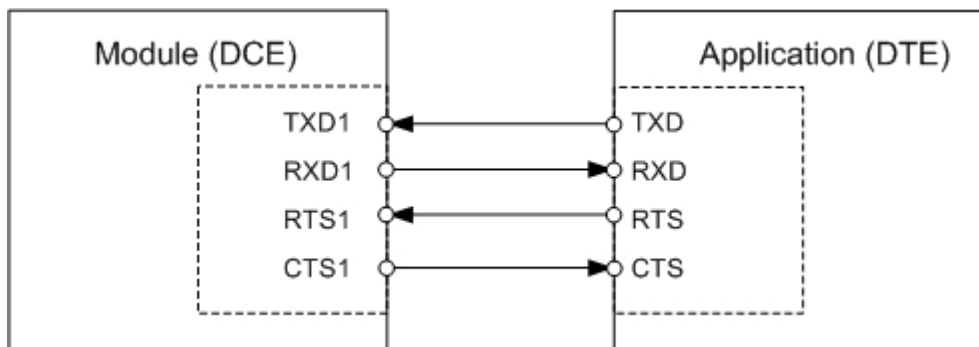


Figure 4: Serial interface ASC1

Features

- Includes only the data lines TXD1 and RXD1 plus RTS1 and CTS1 for hardware hand-shake.
- On ASC1 no RING line is available.
- Configured for 8 data bits, no parity and 1 or 2 stop bits.
- ASC1 can be operated at fixed bit rates from 300 bps to 921,600 bps.
- Autobauding supports bit rates from 300bps up to 230,400bps.
- Supports RTS1/CTS1 hardware flow. The hardware hand shake line RTS0 has an internal pull down resistor causing a low level signal, if the line is not used and open. Although hardware flow control is recommended, this allows communication by using only RXD and TXD lines.

2.1.4 UICC/SIM/USIM Interface

EHS6-A has an integrated UICC/SIM/USIM interface compatible with the 3GPP 31.102 and ETSI 102 221. This is wired to the host interface in order to be connected to an external SIM card holder. Five pads on the SMT application interface are reserved for the SIM interface.

The UICC/SIM/USIM interface supports 3V and 1.8V SIM cards.

The CCIN signal serves to detect whether a tray (with SIM card) is present in the card holder. Using the CCIN signal is mandatory for compliance with the GSM 11.11 recommendation if the mechanical design of the host application allows the user to remove the SIM card during operation. To take advantage of this feature, an appropriate SIM card detect switch is required on the card holder. For example, this is true for the model supplied by Molex, which has been tested to operate with EHS6-A and is part of the Gemalto M2M reference equipment submitted for type approval. See [Section 7.1](#) for Molex ordering numbers.

Table 1: Signals of the SIM interface (SMT application interface)

Signal	Description
GND	Separate ground connection for SIM card to improve EMC.
CCCLK	Chipcard clock
CCVCC	SIM supply voltage.
CCIO	Serial data line, input and output.
CCRST	Chipcard reset
CCIN	Input on the baseband processor for detecting a SIM card tray in the holder. If the SIM is removed during operation the SIM interface is shut down immediately to prevent destruction of the SIM. The CCIN signal is by default low and will change to high level if a SIM card is inserted. The CCIN signal is mandatory for applications that allow the user to remove the SIM card during operation. The CCIN signal is solely intended for use with a SIM card. It must not be used for any other purposes. Failure to comply with this requirement may invalidate the type approval of EHS6-A.

Note: No guarantee can be given, nor any liability accepted, if loss of data is encountered after removing the SIM card during operation. Also, no guarantee can be given for properly initializing any SIM card that the user inserts after having removed the SIM card during operation. In this case, the application must restart EHS6-A.

The figure below shows a circuit to connect an external SIM card holder.

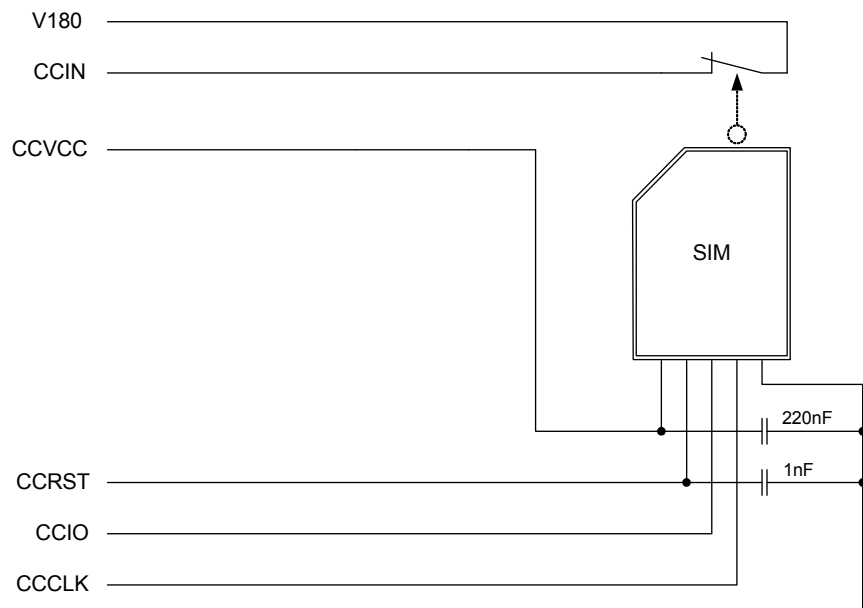


Figure 5: External UICC/SIM/USIM card holder circuit

The total cable length between the SMT application interface pads on EHS6-A and the pads of the external SIM card holder must not exceed 100mm in order to meet the specifications of 3GPP TS 51.010-1 and to satisfy the requirements of EMC compliance.

To avoid possible cross-talk from the CCCLK signal to the CCIO signal be careful that both lines are not placed closely next to each other. A useful approach is using a GND line to shield the CCIO line from the CCCLK line.

2.1.5 Analog Audio Interface

EHS6-A has an analog audio interface with a balanced analog microphone input and a balanced analog earpiece output. A supply voltage and an analog ground connection are provided at dedicated pads.

2.1.6 Digital Audio Interface

EHS6-A digital audio interface (DAI) can be used to connect audio devices capable of pulse code modulation (PCM) or be used as inter IC sound interface. Operation of these interface variants is mutually exclusive, and can be configured by AT command (see [\[1\]](#)).

2.1.7 GPIO Interface

EHS6-A offers a GPIO interface with 22 GPIO lines. The GPIO lines are shared with other interfaces or functions: Fast shutdown (see [Section 2.1.14](#)), status LED (see [Section 2.1.13](#)), the PWM functionality (see [Section 2.1.11](#)), an pulse counter (see [Section 2.1.12](#)), ASC0 (see [Section 2.1.2](#)), ASC1 (see [Section 2.1.3](#)), an SPI interface (see [Section 2.1.9](#)), an HSIC interface (see [Section 2.1.10](#)) and a PCM interface (see [Section 2.1.11](#))

The following table shows the configuration variants for the GPIO pads. All variants are mutually exclusive, i.e. a pad configured for instance as Status LED is locked for alternative usage.

Table 2: GPIO lines and possible alternative assignment

GPIO	Fast Shutdown	Status LED	PWM	Pulse Counter	ASC0	ASC1	SPI	HSIC	PCM
GPIO1					DTR0				
GPIO2					DCD0				
GPIO3					DSR0		SPI_CLK		
GPIO4	FST_SHDN								
GPIO5		Status LED							
GPIO6			PWM2						
GPIO7			PWM1						
GPIO8				COUNTER					
GPIO11									
GPIO12									
GPIO13									
GPIO14									
GPIO15									
GPIO16						RXD1	MOSI	AP_WAKEUP	
GPIO17						TXD1	MISO	HOST_ACTIVE	
GPIO18						RTS1		CP_WAKEUP	
GPIO19						CTS1	SPI_CS	SUSPEND	
GPIO20									TXDDAI
GPIO21									RXDDAI
GPIO22									TFSDAI
GPIO23									SCLK
GPIO24					RING0				

After startup, the above mentioned alternative GPIO line assignments can be configured using AT commands (see [\[1\]](#)). The configuration is non-volatile and available after module restart.

2.1.8 I²C Interface

I²C is a serial, 8-bit oriented data transfer bus for bit rates up to 400kbps in Fast mode. It consists of two lines, the serial data line I2CDAT and the serial clock line I2CCLK. The module acts as a single master device, e.g. the clock I2CCLK is driven by the module. I2CDAT is a bi-directional line. Each device connected to the bus is software addressable by a unique 7-bit address, and simple master/slave relationships exist at all times. The module operates as master-transmitter or as master-receiver. The customer application transmits or receives data only on request of the module.

The I²C interface can be powered via the V180 line of EHS6-A. If connected to the V180 line, the I²C interface will properly shut down when the module enters the Power Down mode.

Note: Good care should be taken when creating the PCB layout of the host application: The traces of I2CCLK and I2CDAT should be equal in length and as short as possible.

2.1.9 SPI Interface

Four EHS6-A GPIO interface lines can be configured as Serial Peripheral Interface (SPI). The SPI is a synchronous serial interface for control and data transfer between EHS6-A and the external application. Only one application can be connected to the SPI and the interface supports only master mode. The transmission rates are up to 6.5Mbit/s. The SPI interface comprises the two data lines MOSI and MISO, the clock line SPI_CLK a well as the chip select line SPI_CS.

2.1.10 HSIC Interface

The (USB) High Speed Inter Chip Interface can be used between the module and an external application processor and is compliant to the High Speed USB 2.0 interface with 480Mbit/s. The maximum distance between module processor and external application processor should not exceed 100mm.

The HSIC interface comprises 6 lines:

- Two signal lines (strobe - HSIC_STRB - and data - HSIC_DATA) are used in a source synchronous serial interface with a 240MHz clock to provide a 480Mbps USB interface. The HSIC_STRB and HSIC_DATA lines are high-speed signals and should be routed as 50Ω impedance traces. The trace length of these signals should be balanced to minimize timing skew and no longer as 100mm.
- Four signal lines for Link Power Management (LPM). For further power reduction, the USB HSIC interface supports LPM according to the USB 2.0 standard. The LPM defines power management states and mechanisms to affect state changes that are used by the AP_WAKEUP and CP_WAKEUP signal lines to efficiently manage bus and system power. To take advantage of the LPM feature, two further signals are needed to support power management state transitions - the SUSPEND and HOST_ACTIVE signals.

2.1.11 PWM Interfaces

The GPIO6 and GPIO7 interface lines can be configured as Pulse Width Modulation interface lines PWM1 and PWM2. The PWM interface lines can be used, for example, to connect buzzers. The PWM1 line is shared with GPIO7 and the PWM2 line is shared with GPIO6 (for GPIOs see [Section 2.1.7](#)). GPIO and PWM functionality are mutually exclusive.

2.1.12 Pulse Counter

The GPIO8 line can be configured as pulse counter line COUNTER. The pulse counter interface can be used, for example, as a clock (for GPIOs see [Section 2.1.7](#)).

2.1.13 Status LED

The GPIO5 interface line can be configured to drive a status LED that indicates different operating modes of the module (for GPIOs see [Section 2.1.7](#)). GPIO and LED functionality are mutually exclusive.

2.1.14 Fast Shutdown

The GPIO4 interface line can be configured as fast shutdown signal line FST_SHDN. The configured FST_SHDN line is an active low control signal and must be applied for at least 10 milliseconds. If unused this line can be left open because of a configured internal pull-up resistor.

2.2 RF Antenna Interface

The RF interface has an impedance of 50Ω . EHS6-A is capable of sustaining a total mismatch at the antenna line without any damage, even when transmitting at maximum RF power.

The external antenna must be matched properly to achieve best performance regarding radiated power, modulation accuracy and harmonic suppression. Antenna matching networks are not included on the EHS6-A module and should be placed in the host application if the antenna does not have an impedance of 50Ω .

Regarding the return loss EHS6-A provides the following values in the active band:

Table 3: Return loss in the active band

State of module	Return loss of module	Recommended return loss of application
Receive	$\geq 8\text{dB}$	$\geq 12\text{dB}$
Transmit	not applicable	$\geq 12\text{dB}$

2.2.1 Antenna Installation

The antenna is connected by soldering the antenna pad (ANT_GSM, i.e., pad #59) and its neighboring ground pads (GND, i.e., pads #58 and #60) directly to the application's PCB. The antenna pad is the antenna reference point (ARP) for EHS6-A. All RF data specified throughout this document is related to the ARP.

The distance between the antenna ANT_GSM pad (#59) and its neighboring GND pads (#58, #60) has been optimized for best possible impedance. On the application PCB, special attention should be paid to these 3 pads, in order to prevent mismatch.

The wiring of the antenna connection line, starting from the antenna pad to the application antenna should result in a 50Ω line impedance. Line width and distance to the GND plane needs to be optimized with regard to the PCB's layer stack.

To prevent receiver desensitization due to interferences generated by fast transients like high speed clocks on the application PCB, it is recommended to realize the antenna connection line using embedded Stripline rather than Micro-Stripline technology.

For type approval purposes, the use of a 50Ω coaxial antenna connector (U.FL-R-SMT) might be necessary. In this case the U.FL-R-SMT connector should be placed as close as possible to EHS6-A's antenna pad.

2.3 Sample Application

Figure 6 shows a typical example of how to integrate a EHS6-A module with an application. Usage of the various host interfaces depends on the desired features of the application.

The analog audio interface demonstrates the balanced connection of microphone and ear-piece. This solution is particularly well suited for internal transducers.

Because of the very low power consumption design, current flowing from any other source into the module circuit must be avoided, for example reverse current from high state external control lines. Therefore, the controlling application must be designed to prevent reverse current flow. Otherwise there is the risk of undefined states of the module during startup and shutdown or even of damaging the module.

Because of the high RF field density inside the module, it cannot be guaranteed that no self interference might occur, depending on frequency and the applications grounding concept. The potential interferers may be minimized by placing small capacitors (47pF) at suspected lines (e.g. RXD0, RXT0, VDDL, and ON).

While developing SMT applications it is strongly recommended to provide test points for certain signals, i.e., lines to and from the module - for debug and/or test purposes. The SMT application should allow for an easy access to these signals. For details on how to implement test points see [3].

The EMC measures are best practice recommendations. In fact, an adequate EMC strategy for an individual application is very much determined by the overall layout and, especially, the position of components. For example, mounting the internal acoustic transducers directly on the PCB eliminates the need to use the ferrite beads shown in the sample schematic.

Note: EHS6-A is not intended for use with cables longer than 3m.

Disclaimer

No warranty, either stated or implied, is provided on the sample schematic diagram shown in Figure 6 and the information detailed in this section. As functionality and compliance with national regulations depend to a great amount on the used electronic components and the individual application layout manufacturers are required to ensure adequate design and operating safeguards for their products using EHS6-A modules.

2.3 Sample Application

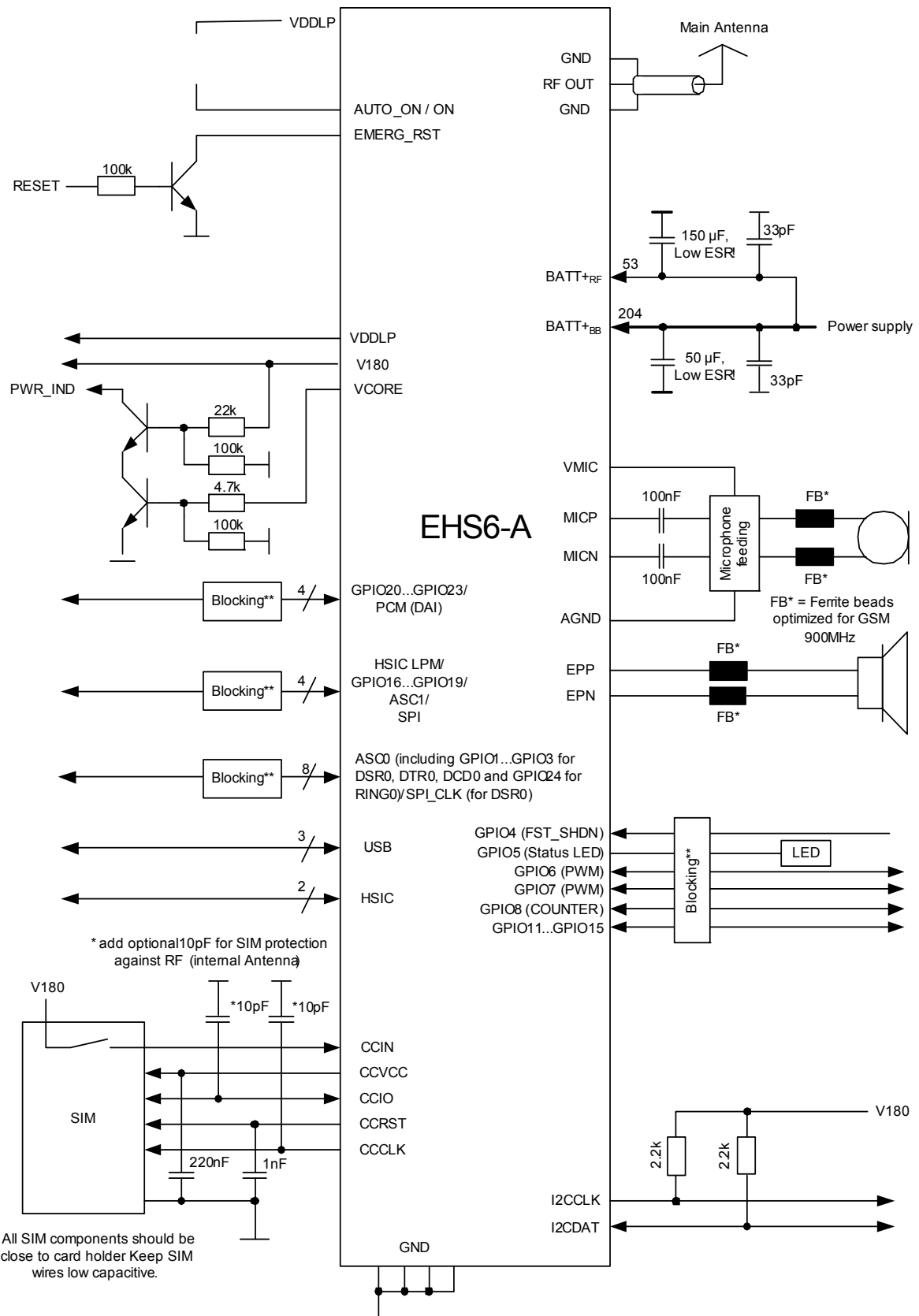


Figure 6: Schematic diagram of EHS6-A sample application

3 Operating Characteristics

3.1 Operating Modes

The table below briefly summarizes the various operating modes referred to throughout the document.

Table 4: Overview of operating modes

Mode	Function	
Normal operation	GSM / GPRS / UMTS / HSPA SLEEP	Power saving set automatically when no call is in progress and the USB connection is suspended by host or not present and no active communication via ASC0.
	GSM / GPRS / UMTS / HSPA IDLE	Power saving disabled or an USB connection not suspended, but no call in progress.
	GSM TALK/ GSM DATA	Connection between two subscribers is in progress. Power consumption depends on the GSM network coverage and several connection settings (e.g. DTX off/on, FR/EFR/HR, hopping sequences and antenna connection). The following applies when power is to be measured in TALK_GSM mode: DTX off, FR and no frequency hopping.
	GPRS DATA	GPRS data transfer in progress. Power consumption depends on network settings (e.g. power control level), uplink / downlink data rates and GPRS configuration (e.g. used multislot settings).
	EGPRS DATA	EGPRS data transfer in progress. Power consumption depends on network settings (e.g. power control level), uplink / downlink data rates and EGPRS configuration (e.g. used multislot settings).
	UMTS TALK/ UMTS DATA	UMTS data transfer in progress. Power consumption depends on network settings (e.g. TPC Pattern) and data transfer rate.
	HSPA DATA	HSPA data transfer in progress. Power consumption depends on network settings (e.g. TPC Pattern) and data transfer rate.
Power Down	Normal shutdown after sending the power down command. Only a voltage regulator is active for powering the RTC. Software is not active. Interfaces are not accessible. Operating voltage remains applied.	
Airplane mode	Airplane mode shuts down the radio part of the module, causes the module to log off from the GSM/GPRS network and disables all AT commands whose execution requires a radio connection. Airplane mode can be controlled by AT command (see [1]).	

3.2 Power Supply

EHS6-A needs to be connected to a power supply at the SMT application interface - 2 lines BATT+, and GND. There are two separate voltage domains for BATT+:

- BATT+_{BB} with a line for the general power management.
- BATT+_{RF} with a line for the GSM power amplifier supply.

Please note that throughout the document BATT+ refers to both voltage domains and power supply lines - BATT+_{BB} and BATT+_{RF}.

The power supply of EHS6-A has to be a single voltage source at BATT+_{BB} and BATT+_{RF}. It must be able to provide the peak current during the uplink transmission.

All the key functions for supplying power to the device are handled by the power management section of the analog controller. This IC provides the following features:

- Stabilizes the supply voltages for the baseband using low drop linear voltage regulators and a DC-DC step down switching regulator.
- Switches the module's power voltages for the power-up and -down procedures.
- SIM switch to provide SIM power supply.

4 Mechanical Dimensions, Mounting and Packaging

4.1 Mechanical Dimensions of EHS6-A

Figure 7 shows the top and bottom view of EHS6-A and provides an overview of the board's mechanical dimensions. For further details see Figure 8.

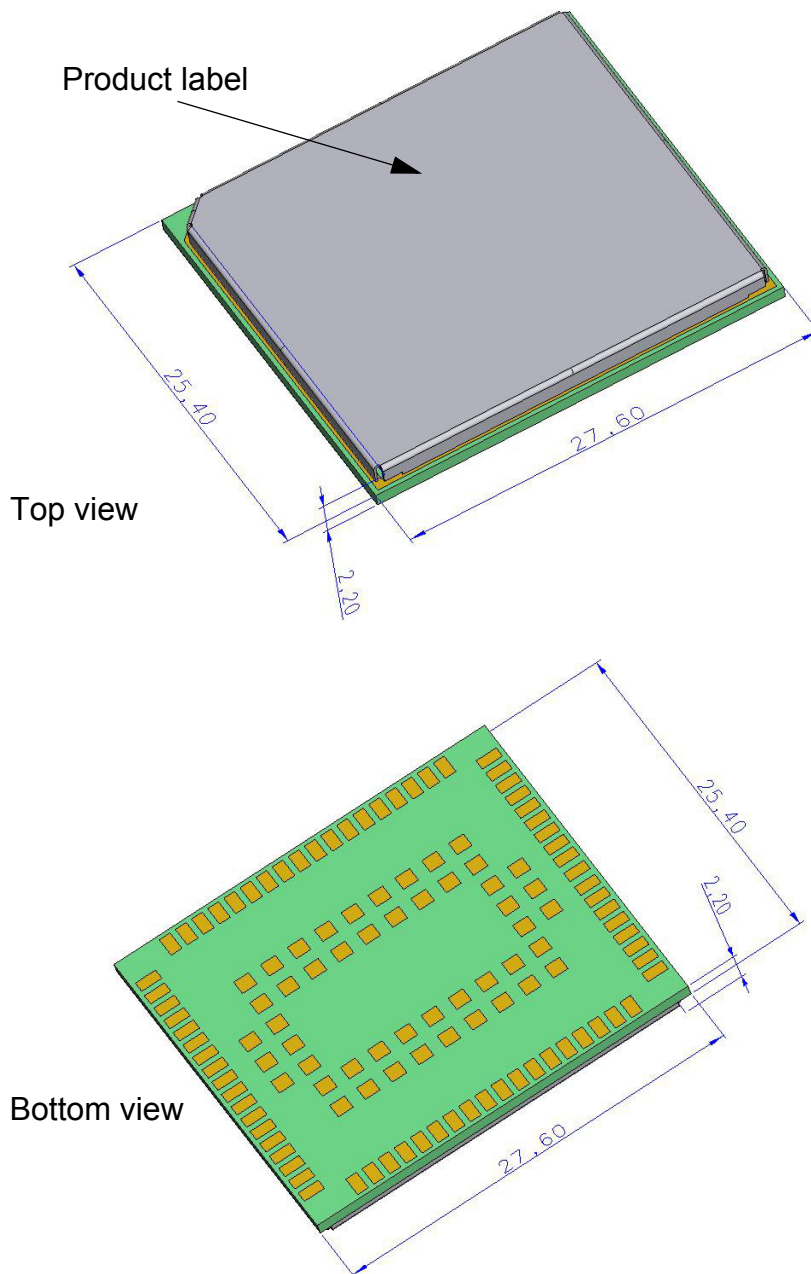


Figure 7: EHS6-A– top and bottom view

5 Regulatory and Type Approval Information

5.1 Directives and Standards

EHS6-A is designed to comply with the directives and standards listed below.

It is the responsibility of the application manufacturer to ensure compliance of the final product with all provisions of the applicable directives and standards as well as with the technical specifications provided in the "EHS6-A Hardware Interface Description".¹

Table 5: Directives



2014/53/EU	Directive of the European Parliament and of the Council of 16 April 2014 on the harmonisation of the laws of the Member States relating to the making available on the market of radio equipment and repealing Directive 1999/5/EC. The product is labeled with the CE conformity mark 
2002/95/EC (RoHS 1) 2011/65/EC (RoHS 2)	Directive of the European Parliament and of the Council of 27 January 2003 (and revised on 8 June 2011) on the restriction of the use of certain hazardous substances in electrical and electronic equipment (RoHS) 

Table 6: Standards of North American type approval


CFR Title 47	Code of Federal Regulations, Part 22 and Part 24 (Telecommunications, PCS); US Equipment Authorization FCC
OET Bulletin 65 (Edition 97-01)	Evaluating Compliance with FCC Guidelines for Human Exposure to Radiofrequency Electromagnetic Fields
UL 60 950-1	Product Safety Certification (Safety requirements) 
NAPRD.03 V5.35	Overview of PCS Type certification review board Mobile Equipment Type Certification and IMEI control PCS Type Certification Review board (PTCRB)
RSS132 (Issue2) RSS133 (Issue5)	Canadian Standard

Table 7: Standards of European type approval

3GPP TS 51.010-1	Digital cellular telecommunications system (Release 7); Mobile Station (MS) conformance specification;
GCF-CC V3.71	Global Certification Forum - Certification Criteria
ETSI EN 301 511 V12.5.1	Global System for Mobile communications (GSM); Mobile Stations (MS) equipment; Harmonized Standard covering the essential requirements of article 3.2 of Directive 2014/53/EU

1. Manufacturers of applications which can be used in the US shall ensure that their applications have a PTCRB approval. For this purpose they can refer to the PTCRB approval of the respective module.

5.1 Directives and Standards

Table 7: Standards of European type approval

ETSI EN 301 908-1 V11.1.1	IMT cellular networks; Harmonised Standard covering the essential requirements of article 3.2 of the Directive 2014/53/EU; Part 1: Introduction and common requirements
ETSI EN 301 908-2 V11.1.2	IMT cellular networks; Harmonised Standard covering the essential requirements of article 3.2 of the Directive 2014/53/EU; Part 2: CDMA Direct Spread (UTRA FDD) User Equipment (UE)
ETSI EN 301 489-52 V1.1.0	Electromagnetic Compatibility (EMC) standard for radio equipment and services; Part 52: Specific conditions for Cellular Communication Mobile and portable (UE) radio and ancillary equipment; Harmonized Standard covering the essential requirements of article 3.1(b) of Directive 2014/53/EU
ETSI EN 301 489-01 V2.2.0	ElectroMagnetic Compatibility (EMC) standard for radio equipment and services; Part 1: Common technical requirements; Harmonized Standard covering the essential requirements of article 3.1(b) of Directive 2014/53/EU and the essential requirements of article 6 of Directive 2014/30/EU
EN 60950-1: 2006 +A11:2009+A1:2010+A 12:2011+A2:2013	Safety of information technology equipment

Table 8: Requirements of quality

IEC 60068	Environmental testing
DIN EN 60529	IP codes
EN 62311:2008	Assessment of electronic and electrical equipment related to human exposure restrictions for electromagnetic fields (0 Hz - 300 GHz)

Table 9: Standards of the Ministry of Information Industry of the People's Republic of China

SJ/T 11363-2006	"Requirements for Concentration Limits for Certain Hazardous Substances in Electronic Information Products" (2006-06).
SJ/T 11364-2006	<p>"Marking for Control of Pollution Caused by Electronic Information Products" (2006-06).</p> <p>According to the "Chinese Administration on the Control of Pollution caused by Electronic Information Products" (ACPEIP) the EPUP, i.e., Environmental Protection Use Period, of this product is 20 years as per the symbol shown here, unless otherwise marked. The EPUP is valid only as long as the product is operated within the operating limits described in the Gemalto M2M Hardware Interface Description.</p> <p>Please see Table 10 for an overview of toxic or hazardous substances or elements that might be contained in product parts in concentrations above the limits defined by SJ/T 11363-2006.</p>



5.1 Directives and Standards

Table 10: Toxic or hazardous substances or elements with defined concentration limits

部件名称 Name of the part	有毒有害物质或元素 Hazardous substances					
	铅 (Pb)	汞 (Hg)	镉 (Cd)	六价铬 (Cr(VI))	多溴联苯 (PBB)	多溴二苯醚 (PBDE)
金属部件 (Metal Parts)	○	○	○	○	○	○
电路模块 (Circuit Modules)	X	○	○	○	○	○
电缆及电缆组件 (Cables and Cable Assemblies)	○	○	○	○	○	○
塑料和聚合物部件 (Plastic and Polymeric parts)	○	○	○	○	○	○

O:
表示该有毒有害物质在该部件所有均质材料中的含量均在SJ/T11363-2006 标准规定的限量要求以下。
Indicates that this toxic or hazardous substance contained in all of the homogeneous materials for this part is below the limit requirement in SJ/T11363-2006.

X:
表示该有毒有害物质至少在该部件的某一均质材料中的含量超出SJ/T11363-2006标准规定的限量要求。
Indicates that this toxic or hazardous substance contained in at least one of the homogeneous materials used for this part *might exceed* the limit requirement in SJ/T11363-2006.

5.2 SAR requirements specific to portable mobiles

Mobile phones, PDAs or other portable transmitters and receivers incorporating a GSM module must be in accordance with the guidelines for human exposure to radio frequency energy. This requires the Specific Absorption Rate (SAR) of portable EHS6-A based applications to be evaluated and approved for compliance with national and/or international regulations.

Since the SAR value varies significantly with the individual product design manufacturers are advised to submit their product for approval if designed for portable use. For European and US-markets the relevant directives are mentioned below. It is the responsibility of the manufacturer of the final product to verify whether or not further standards, recommendations or directives are in force outside these areas.

Products intended for sale on US markets

ES 59005/ANSI C95.1 Considerations for evaluation of human exposure to Electromagnetic Fields (EMFs) from Mobile Telecommunication Equipment (MTE) in the frequency range 30MHz - 6GHz

Products intended for sale on European markets

EN 50360	Product standard to demonstrate the compliance of mobile phones with the basic restrictions related to human exposure to electromagnetic fields (300MHz - 3GHz)
EN 62311:2008	Assessment of electronic and electrical equipment related to human expo-sure restrictions for electromagnetic fields (0 Hz - 300 GHz)

Please note that SAR requirements are specific only for portable devices and not for mobile devices as defined below:

- **Portable device:**
A portable device is defined as a transmitting device designed to be used so that the radiating structure(s) of the device is/are within 20 centimeters of the body of the user.
- **Mobile device:**
A mobile device is defined as a transmitting device designed to be used in other than fixed locations and to generally be used in such a way that a separation distance of at least 20 centimeters is normally maintained between the transmitter's radiating structure(s) and the body of the user or nearby persons. In this context, the term "fixed location" means that the device is physically secured at one location and is not able to be easily moved to another location.

5.3 Reference Equipment for Type Approval

5.3 Reference Equipment for Type Approval

The Gemalto M2M reference setup submitted to type approve EHS6-A (including a special approval adapter for the DSB75) is shown in the following figure¹:

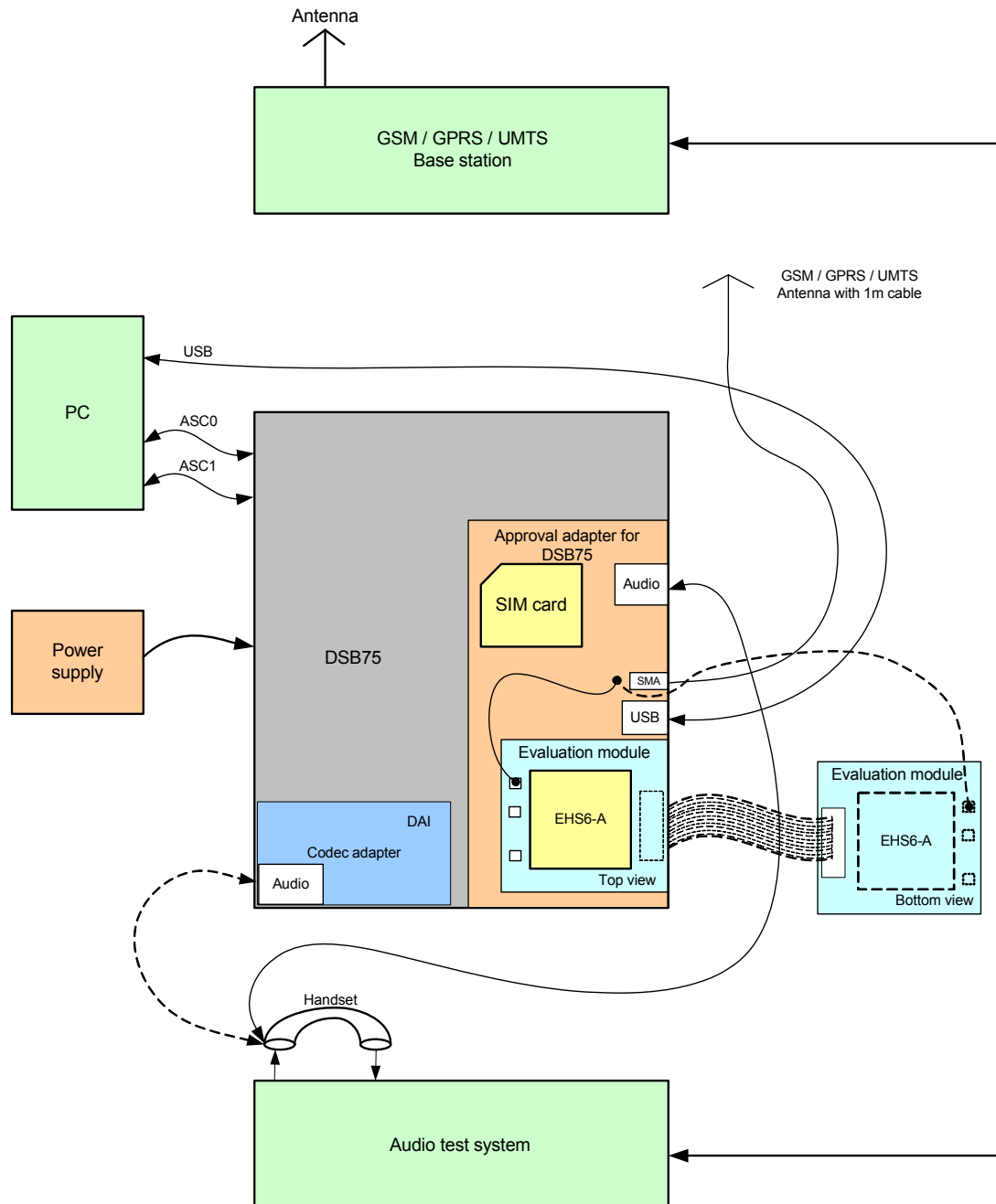


Figure 9: Reference equipment for Type Approval

1. For RF performance tests a mini-SMT/U.FL to SMA adapter with attached 6dB coaxial attenuator is chosen to connect the evaluation module directly to the GSM/UMTS test equipment instead of employing the SMA antenna connectors on the EHS6-A-DSB75 adapter as shown in Figure 9. The following products are recommended:

Hirose SMA-Jack/U.FL-Plug conversion adapter HRMJ-U.FLP(40)

(for details see <http://www.hirose-connectors.com/> or <http://www.farnell.com/>)

Aeroflex Weinschel Fixed Coaxial Attenuator Model 3T/4T

(for details see <http://www.aeroflex.com/ams/weinschel/pdfs/wmod3&4T.pdf>)

5.4 Compliance with FCC and ISED Rules and Regulations

The Equipment Authorization Certification for the Gemalto M2M reference application described in [Section 5.3](#) will be registered under the following identifiers:

FCC Identifier: QIPEHS6-A
ISED Certification Number: 7830A-EHS6A
Granted to Gemalto M2M GmbH

Manufacturers of mobile or fixed devices incorporating EHS6-A modules are authorized to use the FCC Grants and ISED Certificates of the EHS6-A modules for their own final products according to the conditions referenced in these documents. In this case, an FCC/ IC label of the module shall be visible from the outside, or the host device shall bear a second label stating "Contains FCC ID: QIPEHS6-A", and accordingly "Contains IC: 7830A-EHS6A". The integration is limited to fixed or mobile categorized host devices, where a separation distance between the antenna and any person of min. 20cm can be assured during normal operating conditions. For mobile and fixed operation configurations the antenna gain, including cable loss, must not exceed the limits 2.15dBi for GSM900 / GSM1800, 2.15 dBi for WCDMA Band I / VIII.

IMPORTANT:

Manufacturers of portable applications incorporating EHS6-A modules are required to have their final product certified and apply for their own FCC Grant and ISED Certificate related to the specific portable mobile. This is mandatory to meet the SAR requirements for portable mobiles (see [Section 5.2](#) for detail).

Changes or modifications not expressly approved by the party responsible for compliance could void the user's authority to operate the equipment.

Note: This equipment has been tested and found to comply with the limits for a Class B digital device, pursuant to part 15 of the FCC Rules and with ISED license-exempt RSS standard(s). These limits are designed to provide reasonable protection against harmful interference in a residential installation. This equipment generates, uses and can radiate radio frequency energy and, if not installed and used in accordance with the instructions, may cause harmful interference to radio communications. However, there is no guarantee that interference will not occur in a particular installation. If this equipment does cause harmful interference to radio or television reception, which can be determined by turning the equipment off and on, the user is encouraged to try to correct the interference by one or more of the following measures:

- Reorient or relocate the receiving antenna.
- Increase the separation between the equipment and receiver.
- Connect the equipment into an outlet on a circuit different from that to which the receiver is connected.
- Consult the dealer or an experienced radio/TV technician for help.

This Class B digital apparatus complies with Canadian ICES-003.

If Canadian approval is requested for devices incorporating EHS6-A modules the below notes will have to be provided in the English and French language in the final user documentation. Manufacturers/OEM Integrators must ensure that the final user documentation does not contain any information on how to install or remove the module from the final product.

Notes (ISED):

(EN) This Class B digital apparatus complies with Canadian ICES-003 and RSS-210. Operation is subject to the following two conditions: (1) this device may not cause interference, and (2) this device must accept any interference, including interference that may cause undesired operation of the device.

(FR) Cet appareil numérique de classe B est conforme aux normes canadiennes ICES-003 et RSS-210. Son fonctionnement est soumis aux deux conditions suivantes: (1) cet appareil ne doit pas causer d'interférence et (2) cet appareil doit accepter toute interférence, notamment les interférences qui peuvent affecter son fonctionnement.

(EN) Radio frequency (RF) Exposure Information

The radiated output power of the Wireless Device is below the Innovation, Science and Economic Development Canada (ISED) radio frequency exposure limits. The Wireless Device should be used in such a manner such that the potential for human contact during normal operation is minimized.

This device has also been evaluated and shown compliant with the ISED RF Exposure limits under mobile exposure conditions. (antennas are greater than 20cm from a person's body).

(FR) Informations concernant l'exposition aux fréquences radio (RF)

La puissance de sortie émise par l'appareil de sans fil est inférieure à la limite d'exposition aux fréquences radio d'Innovation, Sciences et Développement économique Canada (ISDE). Utilisez l'appareil de sans fil de façon à minimiser les contacts humains lors du fonctionnement normal.

Ce périphérique a également été évalué et démontré conforme aux limites d'exposition aux RF d'ISDE dans des conditions d'exposition à des appareils mobiles (les antennes se situent à moins de 20cm du corps d'une personne).

6 Document Information

6.1 Revision History

Preceding document: "Cinterion® EHS6-A Hardware Interface Overview" Version 02.770

New document: "Cinterion® EHS6-A Hardware Interface Overview" Version **04.000**

Chapter	What is new
1.1 ; 2.1.2 ; 2.1.3	Update the bit rate range for ASC0 and ASC1
5.1	Update Table 6 and Table 7 regarding versions of standards.
7.1	Update Table 11 regarding ordering numbers
5.4	Revised section and added antenna gain limits.

New document: "Cinterion® EHS6-A Hardware Interface Overview" Version 02.770

Chapter	What is new
--	Initial document setup.

6.2 Related Documents

- [1] EHS6-A AT Command Set
- [2] EHS6-A Release Note
- [3] Application Note 48: SMT Module Integration
- [4] Application Note 40: Thermal Solutions
- [5] Universal Serial Bus Specification Revision 2.0, April 27, 2000

6.3 Terms and Abbreviations

Abbreviation	Description
ADC	Analog-to-digital converter
AGC	Automatic Gain Control
ANSI	American National Standards Institute
ARFCN	Absolute Radio Frequency Channel Number
ARP	Antenna Reference Point
ASC0/ASC1	Asynchronous Controller. Abbreviations used for first and second serial interface of EHS6-A
B	Thermistor Constant
BER	Bit Error Rate

6.3 Terms and Abbreviations

Abbreviation	Description
BTS	Base Transceiver Station
CB or CBM	Cell Broadcast Message
CE	Conformité Européene (European Conformity)
CHAP	Challenge Handshake Authentication Protocol
CPU	Central Processing Unit
CS	Coding Scheme
CSD	Circuit Switched Data
CTS	Clear to Send
DAC	Digital-to-Analog Converter
DAI	Digital Audio Interface
dBm0	Digital level, 3.14dBm0 corresponds to full scale, see ITU G.711, A-law
DCE	Data Communication Equipment (typically modems, e.g. Gemalto M2M module)
DCS 1800	Digital Cellular System, also referred to as PCN
DRX	Discontinuous Reception
DSB	Development Support Box
DSP	Digital Signal Processor
DSR	Data Set Ready
DTE	Data Terminal Equipment (typically computer, terminal, printer or, for example, GSM application)
DTR	Data Terminal Ready
DTX	Discontinuous Transmission
EFR	Enhanced Full Rate
EGSM	Enhanced GSM
EIRP	Equivalent Isotropic Radiated Power
EMC	Electromagnetic Compatibility
ERP	Effective Radiated Power
ESD	Electrostatic Discharge
ETS	European Telecommunication Standard
FCC	Federal Communications Commission (U.S.)
FDMA	Frequency Division Multiple Access
FR	Full Rate
GMSK	Gaussian Minimum Shift Keying
GPIO	General Purpose Input/Output
GPRS	General Packet Radio Service
GSM	Global Standard for Mobile Communications
HiZ	High Impedance
HR	Half Rate
I/O	Input/Output

6.3 Terms and Abbreviations







Abbreviation	Description
IC	Integrated Circuit
IMEI	International Mobile Equipment Identity
ISED	Innovation, Science and Economic Development Canada
ISO	International Standards Organization
ITU	International Telecommunications Union
kbps	kbits per second
LED	Light Emitting Diode
Li-Ion/Li+	Lithium-Ion
Li battery	Rechargeable Lithium Ion or Lithium Polymer battery
LPM	Link Power Management
Mbps	Mbits per second
MMI	Man Machine Interface
MO	Mobile Originated
MS	Mobile Station (GSM module), also referred to as TE
MSISDN	Mobile Station International ISDN number
MT	Mobile Terminated
NTC	Negative Temperature Coefficient
OEM	Original Equipment Manufacturer
PA	Power Amplifier
PAP	Password Authentication Protocol
PBCCH	Packet Switched Broadcast Control Channel
PCB	Printed Circuit Board
PCL	Power Control Level
PCM	Pulse Code Modulation
PCN	Personal Communications Network, also referred to as DCS 1800
PCS	Personal Communication System, also referred to as GSM 1900
PDU	Protocol Data Unit
PLL	Phase Locked Loop
PPP	Point-to-point protocol
PSK	Phase Shift Keying
PSU	Power Supply Unit
PWM	Pulse Width Modulation
R&TTE	Radio and Telecommunication Terminal Equipment
RAM	Random Access Memory
RF	Radio Frequency
RLS	Radio Link Stability
RMS	Root Mean Square (value)

6.3 Terms and Abbreviations

Abbreviation	Description
RoHS	Restriction of the use of certain hazardous substances in electrical and electronic equipment.
ROM	Read-only Memory
RTC	Real Time Clock
RTS	Request to Send
Rx	Receive Direction
SAR	Specific Absorption Rate
SAW	Surface Accoustic Wave
SELV	Safety Extra Low Voltage
SIM	Subscriber Identification Module
SMD	Surface Mount Device
SMS	Short Message Service
SMT	Surface Mount Technology
SPI	Serial Peripheral Interface
SRAM	Static Random Access Memory
TA	Terminal adapter (e.g. GSM module)
TDMA	Time Division Multiple Access
TE	Terminal Equipment, also referred to as DTE
TLS	Transport Layer Security
Tx	Transmit Direction
UART	Universal asynchronous receiver-transmitter
URC	Unsolicited Result Code
USSD	Unstructured Supplementary Service Data
VSWR	Voltage Standing Wave Ratio

6.4 Safety Precaution Notes

The following safety precautions must be observed during all phases of the operation, usage, service or repair of any cellular terminal or mobile incorporating EHS6-A. Manufacturers of the cellular terminal are advised to convey the following safety information to users and operating personnel and to incorporate these guidelines into all manuals supplied with the product. Failure to comply with these precautions violates safety standards of design, manufacture and intended use of the product. Gemalto M2M assumes no liability for customer's failure to comply with these precautions.

	<p>When in a hospital or other health care facility, observe the restrictions on the use of mobiles. Switch the cellular terminal or mobile off, if instructed to do so by the guidelines posted in sensitive areas. Medical equipment may be sensitive to RF energy. The operation of cardiac pacemakers, other implanted medical equipment and hearing aids can be affected by interference from cellular terminals or mobiles placed close to the device. If in doubt about potential danger, contact the physician or the manufacturer of the device to verify that the equipment is properly shielded. Pacemaker patients are advised to keep their hand-held mobile away from the pacemaker, while it is on.</p>
	<p>Switch off the cellular terminal or mobile before boarding an aircraft. Make sure it cannot be switched on inadvertently. The operation of wireless appliances in an aircraft is forbidden to prevent interference with communications systems. Failure to observe these instructions may lead to the suspension or denial of cellular services to the offender, legal action, or both.</p>
	<p>Do not operate the cellular terminal or mobile in the presence of flammable gases or fumes. Switch off the cellular terminal when you are near petrol stations, fuel depots, chemical plants or where blasting operations are in progress. Operation of any electrical equipment in potentially explosive atmospheres can constitute a safety hazard.</p>
	<p>Your cellular terminal or mobile receives and transmits radio frequency energy while switched on. Remember that interference can occur if it is used close to TV sets, radios, computers or inadequately shielded equipment. Follow any special regulations and always switch off the cellular terminal or mobile wherever forbidden, or when you suspect that it may cause interference or danger.</p>
	<p>Road safety comes first! Do not use a hand-held cellular terminal or mobile when driving a vehicle, unless it is securely mounted in a holder for speakerphone operation. Before making a call with a hand-held terminal or mobile, park the vehicle. Speakerphones must be installed by qualified personnel. Faulty installation or operation can constitute a safety hazard.</p>
	<p>IMPORTANT! Cellular terminals or mobiles operate using radio signals and cellular networks. Because of this, connection cannot be guaranteed at all times under all conditions. Therefore, you should never rely solely upon any wireless device for essential communications, for example emergency calls. Remember, in order to make or receive calls, the cellular terminal or mobile must be switched on and in a service area with adequate cellular signal strength. Some networks do not allow for emergency calls if certain network services or phone features are in use (e.g. lock functions, fixed dialing etc.). You may need to deactivate those features before you can make an emergency call. Some networks require that a valid SIM card be properly inserted in the cellular terminal or mobile.</p>

7 Appendix

7.1 List of Parts and Accessories

Table 11: List of parts and accessories

Description	Supplier	Ordering information
EHS6-A	Gemalto M2M	Standard module Gemalto M2M IMEI: Packaging unit (ordering) number: L30960-N2960-A400 Module label number: S30960-S2960-A400-1 Customer IMEI mode: Packaging unit (ordering) number: L30960-N2965-A400 Module label number: S30960-S2965-A400-1
EHS6-A Evaluation Module	Gemalto M2M	Ordering number: L30960-N2961-A400 (EHS6-A)
DSB75 Evaluation Kit	Gemalto M2M	Ordering number: L36880-N8811-A100
DSB Mini Compact Evaluation Board	Gemalto M2M	Ordering number: L30960-N0030-A100
Starter Kit B80	Gemalto M2M	Ordering Number L30960-N0040-A100
Multi-Adapter R1 for mounting EHS6-A evaluation modules onto DSB75	Gemalto M2M	Ordering number: L30960-N0010-A100
Approval adapter for mounting EHS6-A evaluation modules onto DSB75	Gemalto M2M	Ordering number: L30960-N2301-A100
Votronic Handset	Votronic / Gemalto M2M	Gemalto M2M ordering number: L36880-N8301-A107 Votronic ordering number: HH-SI-30.3/V1.1/0 Votronic Entwicklungs- und Produktionsgesellschaft für elektronische Geräte mbH Saarbrücker Str. 8 66386 St. Ingbert Germany Phone: +49-(0)6 89 4 / 92 55-0 Fax: +49-(0)6 89 4 / 92 55-88 Email: contact@votronic.com
SIM card holder incl. push button ejector and slide-in tray	Molex	Ordering numbers: 91228 91236 Sales contacts are listed in Table 12 .

7.1 List of Parts and Accessories

Table 12: Molex sales contacts (subject to change)

<p>Molex For further information please click: http://www.molex.com</p>	<p>Molex Deutschland GmbH Otto-Hahn-Str. 1b 69190 Walldorf Germany Phone: +49-6227-3091-0 Fax: +49-6227-3091-8100 Email: mxgermany@molex.com</p>	<p>American Headquarters Lisle, Illinois 60532 U.S.A. Phone: +1-800-78MOLEX Fax: +1-630-969-1352</p>
<p>Molex China Distributors Beijing, Room 1311, Tower B, COFCO Plaza No. 8, Jian Guo Men Nei Street, 100005 Beijing P.R. China Phone: +86-10-6526-9628 Fax: +86-10-6526-9730</p>	<p>Molex Singapore Pte. Ltd. 110, International Road Jurong Town, Singapore 629174 Phone: +65-6-268-6868 Fax: +65-6-265-6044</p>	<p>Molex Japan Co. Ltd. 1-5-4 Fukami-Higashi, Yamato-City, Kanagawa, 242-8585 Japan Phone: +81-46-265-2325 Fax: +81-46-265-2365</p>

About Gemalto

Since 1996, Gemalto has been pioneering groundbreaking M2M and IoT products that keep our customers on the leading edge of innovation.

We work closely with global mobile network operators to ensure that Cinterion[®] modules evolve in sync with wireless networks, providing a seamless migration path to protect your IoT technology investment.

Cinterion products integrate seamlessly with Gemalto identity modules, security solutions and licensing and monetization solutions, to streamline development timelines and provide cost efficiencies that improve the bottom line.

As an experienced software provider, we help customers manage connectivity, security and quality of service for the long lifecycle of IoT solutions.

For more information please visit

www.gemalto.com/m2m, www.facebook.com/gemalto, or [Follow@gemaltoIoT](https://twitter.com/Follow@gemaltoIoT) on Twitter.

Gemalto M2M GmbH
Werinherstrasse 81
81541 Munich
Germany

➔ GEMALTO.COM/M2M

gemalto
security to be free