



GENERAC®

Portable Products

PP5000T

Portable Generator Owner's Manual

 **DANGER!** This generator is designed for outdoor use only. **Never** use this generator inside any building or enclosure including the generator compartment of a recreational vehicle (RV). **Carbon monoxide poisoning, fire and/or an explosion may result.** No user performed modifications, including venting of exhaust and/or cooling ventilation, will eliminate the danger. Always have at least two feet of clearance on all sides of the generator even while operating the unit outdoors.

 **DANGER!** You must isolate the generator from the electric utility by opening the electrical system's main circuit breaker or main switch if this unit is used for backup power. **Failure to isolate the generator from the power utility may result in injury or death to electric utility workers and damage to the generator** due to a backfeed of electrical energy.


The Emission Control System for this generator is warranted for standards set by the Environmental Protection Agency. For warranty information refer to the engine owner's manual.



**Problems?
Questions?**
Before taking your unit
back to the store,
call the generator
helpline at
1-800-270-1408
M-F 8-5 CT

Visit our Generac website: www.generac-portables.com

Model No. 1306-0 (5000 Watt AC Generator) Manual No. B4226 Revision 2 (6/29/2000)

 This is the safety alert symbol. It is used to alert you to potential personal injury hazards. Obey all safety messages that follow this symbol to avoid possible injury or death.



EQUIPMENT DESCRIPTION

This generator is an engine-driven, revolving field, alternating current (AC) generator. It was designed to supply electrical power for operating compatible electrical lighting, appliances, tool and motor loads. This manual contains information for a generator that operates 120 and/or 240 Volt, single phase, 60 Hz devices that require up to 5,000 watts (5.0 kW) of power that pull up to 41.7 Amps at 120 Volts or 20.8 Amps at 240 Volts.

CAUTION! Do Not exceed the generator's wattage/ampere capacity. Add up the rated watts of all devices you are connecting to generator receptacles at one time. This total should not be greater than 5,000 watts. In most cases rated watts of the electrical device can be found on the device nameplate. If the device nameplate gives only volts and amps, multiply volts times amps to obtain watts (volts X amps = watts).

The 5,000 watt generator has the following features:

- 120/240 Volt, 20 Amp locking type receptacle and a 120 Volt, 30 Amp locking type receptacle.
- 120 Volt, 20 Amp duplex receptacles.
- Low Oil Shutdown: Automatically shuts down the engine if oil drops below safe operation level.
- Five gallon overhead fuel tank with fuel gauge.
- The generator's revolving field is driven at about 3600 rpm by a Techumseh 10 h.p. engine.

WARNING! Do Not tamper with engine governed speed. High operating speeds are dangerous and increase risk of personal injury or damage to equipment. The generator supplies correct rated frequency and voltage only when running at proper governed speed. Incorrect frequency and/or voltage can damage some connected electrical loads. Operating at excessively low speeds imposes a heavy load. When adequate engine power is not available engine life may be shortened.

SAFETY RULES

This generator set was designed and manufactured for specific applications. **Do Not** attempt to modify the unit or use it for any application it was not designed for. If you have any questions about your generator's application, ask your Dealer or consult the factory.

The manufacturer could not possibly anticipate every circumstance that might involve a hazard. For that reason warnings in the manual and warnings on tags or decals affixed to the unit are not all-inclusive. If you intend to handle, operate or service the unit by a procedure or method not specifically recommended by the manufacturer, first make sure that such a procedure or method will not render this equipment unsafe or pose a threat to you and others.

Read this manual carefully and become familiar with your generator set. Know its applications, its limitations and any hazards involved.

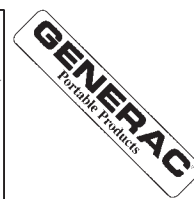


WARNING:



The engine exhaust from this product contains chemicals known to the State of California to cause cancer, birth defects, or other reproductive harm.

- The generator produces a very powerful voltage that can cause extremely dangerous electrical shock. Avoid contact with bare wires, terminals, etc. **Never** permit an unqualified person to operate or service the generator.
- **Never** handle any kind of electrical cord or device while standing in water, while barefoot or while hands or feet are wet. Dangerous electrical shock may result.
- The National Electric Code requires the frame and external electrically conductive parts of the generator be properly connected to an approved earth ground. Local electrical codes may also require proper grounding of the generator. Consult with a local electrician for grounding requirements in your area.
- Use a ground fault circuit interrupter in any damp or highly conductive area (such as metal decking or steel work).

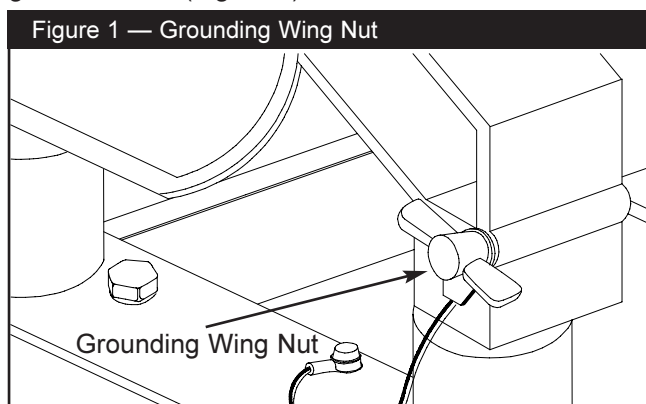


- **Do Not** use worn, bare, frayed or otherwise damaged electrical cord sets with the generator. Using a defective cord set may result in electrical shock or damage to equipment and/or property.
- Operate unit only on level surfaces and where it will not be exposed to excessive moisture, dirt, dust or corrosive vapors.
- Gasoline is highly **FLAMMABLE** and its vapors are **EXPLOSIVE**. **Do Not** permit smoking, open flames, sparks or heat in the vicinity while handling gasoline. Avoid spilling gasoline on a hot engine. Comply with all laws regulating storage and handling of gasoline.
- **Do Not** overfill the fuel tank. Always allow room for fuel expansion. If tank is overfilled, fuel can overflow onto a hot engine and cause **FIRE** or **EXPLOSION**.
- **Never** store a generator with fuel in the tank where gasoline vapors might reach an open flame, spark or pilot light (as on a furnace, water heater, clothes dryer). **FIRE** or an **EXPLOSION** may result.
- Generator exhaust gases contain **DEADLY** carbon monoxide gas. This dangerous gas, if breathed in sufficient concentrations, can cause unconsciousness or even death. Operate this equipment only in the open air where adequate ventilation is available.
- The unit requires an adequate flow of cooling air for its continued proper operation. **Never** operate the unit inside any room or enclosure where the free flow of cooling air into and out of the unit might be obstructed. Allow at least 2 feet of clearance on all sides of generator or you could damage the unit. Read Cold Weather Operation on page 8.
- Allow at least 2 feet of clearance on all sides of generator, even while operating unit outdoors, or you could damage the unit.
- **Never** start, or stop, the engine-generator with electrical loads connected to receptacles with the connected devices turned **ON**. Start the engine and let it stabilize before connecting any electrical loads. Disconnect all electrical loads before shutting down the generator.
- **Do Not** insert any object through cooling slots of the engine-generator. You could damage the unit or injure yourself.

- **Never operate the generator:** in rain; in any enclosed compartment; when connected electrical devices overheat; if electrical output is lost; if engine or generator sparks; if flame or smoke is observed while unit is running; if unit vibrates excessively.

GROUNDING THE GENERATOR

The National Electrical Code requires that the frame and external electrically conductive parts of this generator be properly connected to an approved earth ground. Local electrical codes may also require proper grounding of the unit. For that purpose, a **GROUNDING WING NUT** is provided on the generator end (Figure 1).



Generally, connecting a No. 12 AWG (American Wire Gauge) stranded copper wire to the grounding wing nut and to an earth-driven copper or brass grounding rod (electrode) provides adequate protection against electrical shock. Be careful to keep the grounding wire attached after connecting the stranded copper wire. However, local codes may vary widely. Consult with a local electrician for grounding requirements in your area.

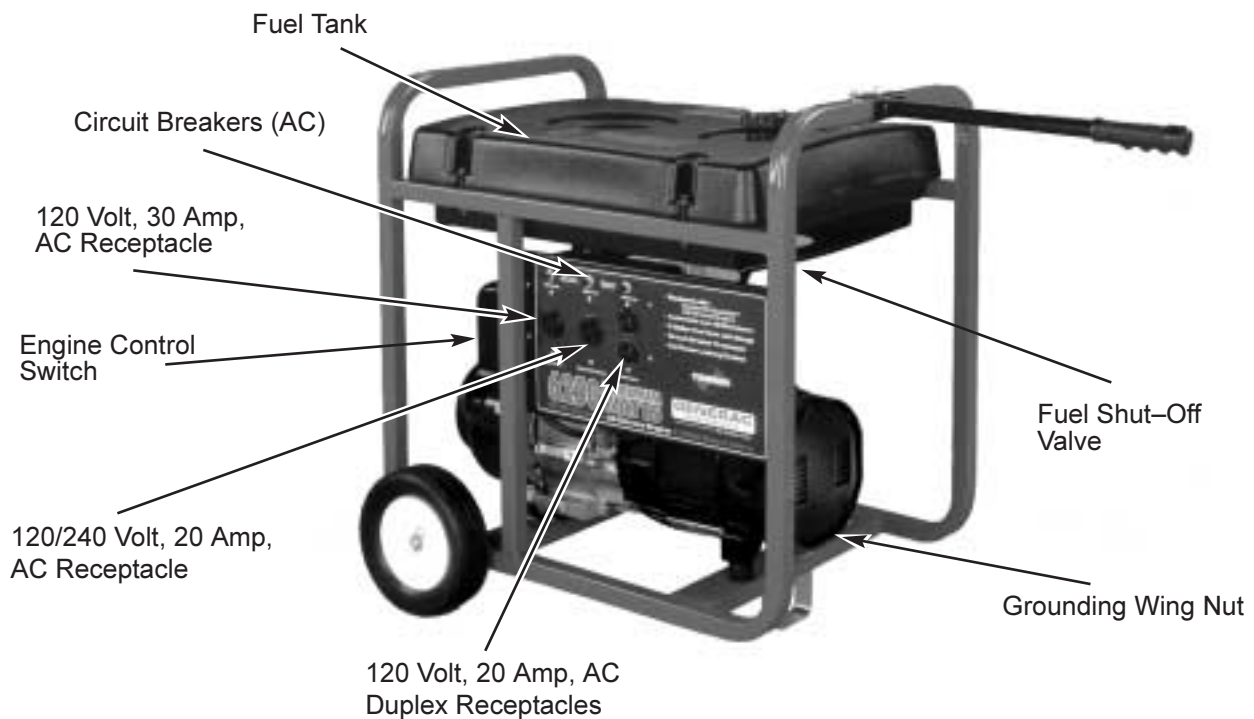
Properly grounding the generator helps prevent electrical shock if a ground fault condition exists in the generator or in connected electrical devices. Proper grounding also helps dissipate static electricity, which often builds up in ungrounded devices.



KNOW YOUR GENERATOR

Read this owner's manual and safety rules before operating your generator.

Compare the illustrations with your generator, to familiarize yourself with the locations of various controls and adjustments. Save this manual for future reference.



120 Volt AC, 20 Amp Duplex Receptacle — May be used to supply electrical power for the operation of 120 Volt AC, 20 Amp, single phase, 60 Hz electrical lighting, appliance, tool and motor loads.

120 Volt AC, 30 Amp Receptacle — May be used to supply electrical power for the operation of 120 Volt AC, 30 Amp, single phase, 60 Hz electrical lighting, appliance, tool and motor loads.

120/240 Volt AC, 20 Amp Receptacle — May be used to supply electrical power for the operation of 120 and/or 240 Volt AC, 20 Amp, single phase, 60 Hz electrical lighting, appliance, tool and motor loads.

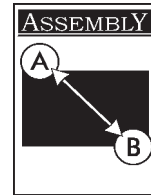
Circuit Breakers (AC) — Each receptacle is provided with a circuit breaker to protect the generator against electrical overload. Breakers are "push to reset" type.

Engine Control Switch — Puts engine in starting mode/Shuts off a running engine.

Fuel Shut Off Valve — Controls fuel supply to engine.

Fuel Tank — Capacity of 5 U.S. gallons (19 liters).

Grounding Wing Nut — Provides a tie-point for connecting the generator frame to earth ground.



INSTALL WHEEL KIT

To install your wheel kit you need the following tools:

- 15/16" box, open end, or socket wrench
- Two 13 mm box, open end, or socket wrenches

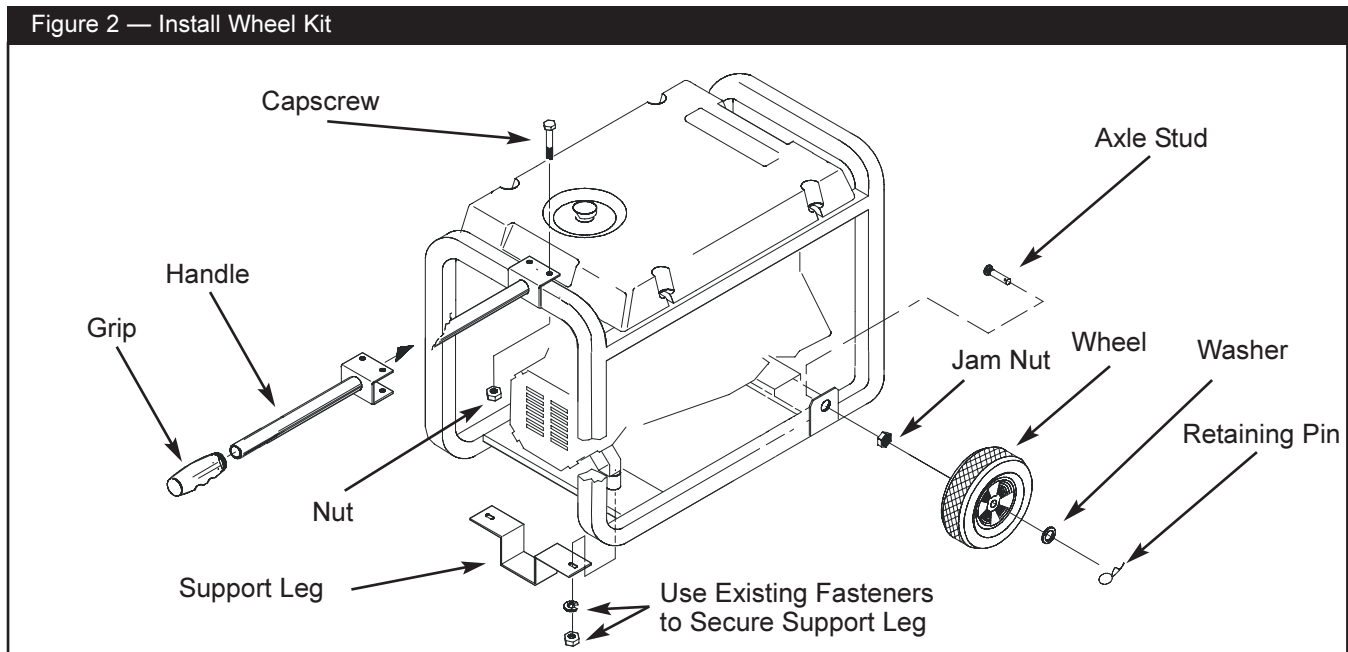
Install Wheel Kit as follows: (See Figure 2)

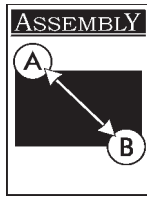
- Place the bottom of the generator cradle on a flat, even surface.
- Place axle stud through wheel retainer on cradle frame.
- Use 15/16" wrench to secure the axle stud to frame with 5/8-18 jam nut.
- Install the other axle stud in the same manner.

NOTE: Be sure to install the wheel with raised hub inboard.

- Tip unit and install the wheel.
- Retain wheel on axle stud with a flat washer and retaining pin. Install other wheel on remaining axle stud in the same manner.
- Remove two front nuts and lock washers from vibration mount with 13 mm wrench. Use these nuts to attach the support leg.
- Center the lifting handle on generator end of cradle, as shown. Attach the handle using two 13 mm wrenches with two capscrews and two hex nuts.

Figure 2 — Install Wheel Kit





BEFORE STARTING ENGINE

Add Oil

WARNING! Any attempt to crank or start the engine before it has been properly filled with the recommended oil may result in an engine failure.

To fill your engine with oil:

- Place generator on a level surface.
- Clean area around oil fill and remove oil fill cap.
- Select the oil's viscosity grade and fill engine with oil following the instructions given in the engine owner's manual. **Do Not overfill!**
- Install oil fill cap.

NOTE: The generator's revolving field rides on a pre-lubricated and sealed ball bearing that requires no additional lubrication for the life of the bearing.

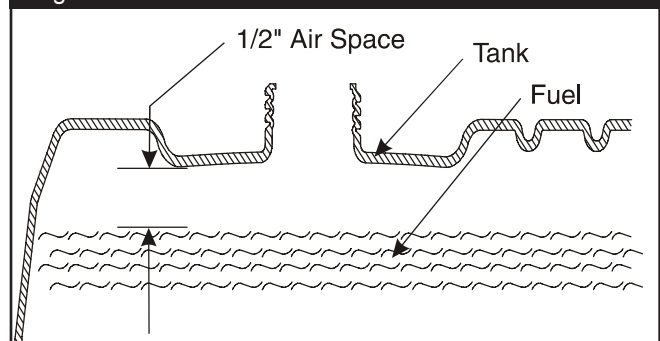
Add Gasoline

DANGER! Explosion Hazard! **Never** fill fuel tank indoors. **Never** fill fuel tank when engine is running or hot. **Do Not** light a cigarette or smoke when filling the fuel tank.

WARNING! **Do Not** overfill the fuel tank. Always allow room for fuel expansion.

- Use regular **UNLEADED** gasoline with the Generator engine. **Do Not** use premium gasoline. **Do Not** mix oil with gasoline.
- Clean area around fuel fill cap, remove cap.
- Add unleaded regular gasoline, slowly to fuel tank. Be careful not to overfill. Allow about 1/2" of tank space for fuel expansion (Figure 3).

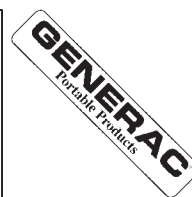
Figure 3 — Fill Tank with Fuel



- Install fuel cap and wipe up any spilled gasoline.

IMPORTANT: It is important to prevent gum deposits from forming in essential fuel system parts such as the carburetor, fuel filter, fuel hose or tank during storage. Also, experience indicates that alcohol-blended fuels (called gasohol, ethanol or methanol) can attract moisture which leads to separation and formation of acids during storage. Acidic gas can damage the fuel system of an engine while in storage.

To avoid engine problems, the fuel system should be emptied before storage of 30 days or longer. See "Storage" on page 11. **Never** use engine or carburetor cleaner products in the fuel tank or permanent damage may occur.



OPERATING THE GENERATOR

CAUTION! Never start or stop the engine with electrical loads connected to the receptacles AND with the connected devices turned ON.

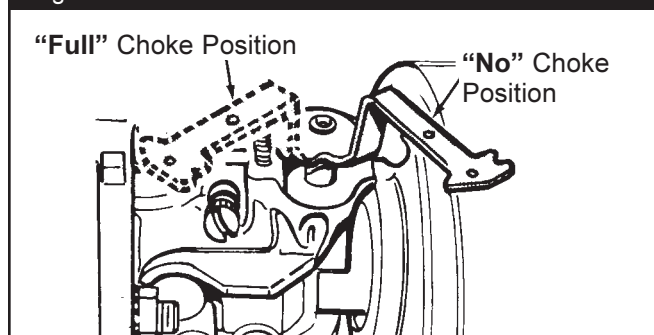
Starting the Engine

DANGER! Breathing Hazard! Never run engine indoors or in enclosed poorly ventilated areas. Engine exhaust contains carbon monoxide, an odorless and deadly gas.

WARNING! Burn Hazard! Temperature of muffler and nearby areas may exceed 150°F (65°C). Avoid these areas.

- Unplug all electrical loads from generator receptacles before starting the engine.
- Make sure the unit is in a level position.
- Open the fuel shut-off valve.
- Move the choke lever to the “Full” choke position (Figure 4).

Figure 4 — Choke Positions



- Set the engine control switch to the On (–) position (Figure 5).

Figure 5 — Air Cleaner Position Above 32°F



- The engine on your unit is equipped with a Climate Control™ system. Use as described below;
 - **Above 32°F**, turn the air cleaner clockwise until it stops. Make sure the arrow on the top of the engine aligns with the “sun” symbol on the air cleaner cover (Figure 5).
 - **At or below 32°F**, turn the air cleaner counterclockwise until it stops. Make sure the arrow on the top of the engine aligns with the “snowflake” symbol on the air cleaner cover (Figure 6).

Figure 6 — Air Cleaner Position At or Below 32°F





- Grasp starter grip and pull slowly until you feel some resistance. Then pull cord out with rapid full arm stroke. Let rope return slowly. **Do Not** let rope “snap back” against starter.
- When engine starts, move choke lever to “**Half**” choke position until the engine runs smoothly and then to “**No**” choke position. If engine falters, move choke lever to “**Half**” choke position until the engine runs smoothly and then to “**No**” choke position.

NOTE: If engine fails to start after 3 pulls, move the choke lever to “**No**” choke position and pull starter rope again.

NOTE: If the engine fails to start after three (3) pulls, check for proper oil level in crankcase. Unit is equipped with a low oil shutdown system.

NOTE: If engine fires, but does not continue to run, move choke lever to “**Full**” choke position and repeat starting instructions.

Connecting Electrical Loads

- Let engine stabilize and warm up for a few minutes after starting.
- Plug in and turn on the desired 120 and/or 240 Volt AC, single phase, 60 Hertz electrical loads.
- **Do Not** connect 240 Volt loads to the 120 Volt duplex receptacles.
- **Do Not** connect 3-phase loads to the generator.
- **Do Not** connect 50 Hz loads to the generator.
- **DO NOT OVERLOAD THE GENERATOR.** Add up the rated watts (or amps) of all loads to be connected at one time. This total should not be greater than the rated wattage/ampere capacity of the generator. See “Don’t Overload the Generator” on page 10.

Stopping the Engine

- Unplug all electrical loads from generator panel receptacles. **Never** start or stop engine with electrical devices plugged in and turned on.
- Let engine run at no-load for several minutes to stabilize the internal temperatures of engine and generator.
- Move engine control switch to **Off (o)** position.

- Close the fuel shut-off valve.

COLD WEATHER OPERATION

Under certain weather conditions (temperatures below 40°F [4°C] and a high dew point), your Generac generator may experience icing of the carburetor and/or the crankcase breather system.

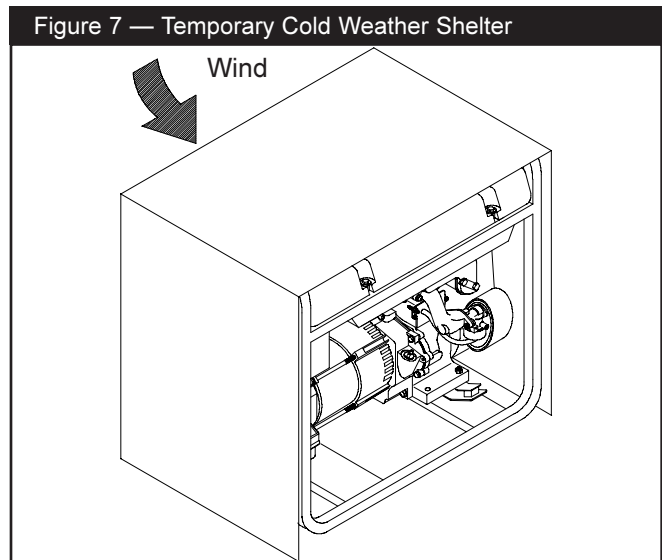
In an emergency, use the original shipping box as a temporary shelter:

- Cut off all flaps
- Cut out one of the long sides of the box to expose exhaust side of unit. Ensure a minimum of two feet clearance between open side of box and nearest object.
- Cut appropriate slots to access receptacles of unit.
- Start unit, then place box over it.

IMPORTANT: Remove shelter when temperature is above 40°F [4°C].

For a more permanent shelter, build a structure that will enclose three sides and the top of the generator:

- Make sure entire muffler-side of generator is exposed, as shown in Figure 7. Please note that the unit shown in this figure is a typical unit and may not exactly portray your unit.





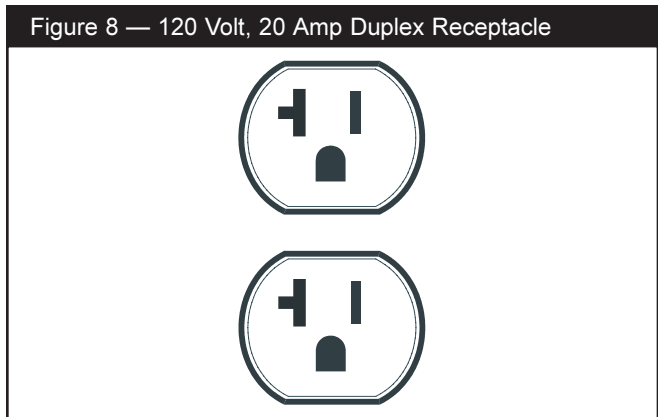
- Ensure a minimum of two feet clearance between open side of box and nearest object.
- Face exposed end away from wind and elements.
- Enclosure should hold enough heat created by the generator to prevent icing.

! DANGER! Carbon Monoxide Hazard! **Never** run unit indoors. **Do Not** enclose generator any more than shown. Remove shelter when temperatures are above 40°F [4°C].

RECEPTACLES

120 Volt, Duplex Receptacles

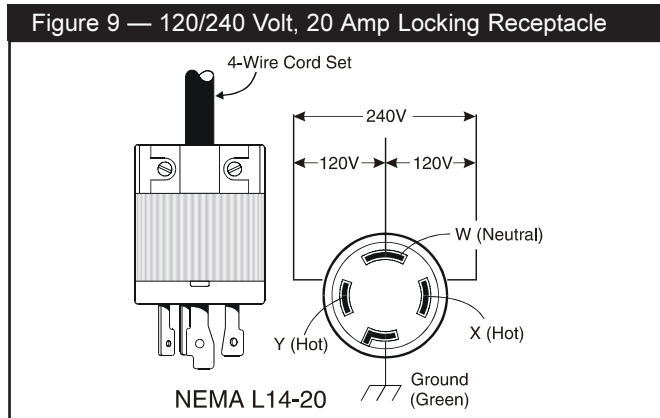
Each of these receptacles (Figure 8) are protected against overload by 20 Amp push-to-reset type circuit breakers.



Use each receptacle to operate 120 Volt AC, 60 Hz, single phase loads at 20 Amps of current.

120/240 Volt, 20 Amp Locking Receptacle

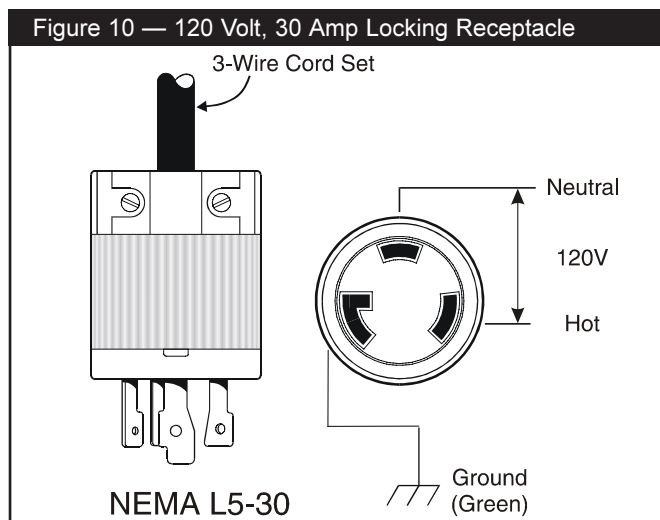
Use a NEMA L14-20 plug with this receptacle. Connect a 4-wire cord set rated for 250 Volts at 20 AC Amps (or greater) to the plug (Figure 9). You can use the same 4-wire cord if you plan only to run a 120 Volt load.



Use this receptacle to operate 120 Volt or 240 Volt AC, 60 Hz, single phase loads at 20 Amps. This outlet is protected by a 20 Amp push-to-reset circuit breaker.

120 Volt, 30 Amp Locking Receptacle

Use a NEMA L5-30 plug with this receptacle. Connect a 3-wire cord set rated for 125 Volts at 30 AC Amps to the plug (Figure 10).



Use this receptacle to operate 120 Volt AC, 60 Hz, single phase loads requiring up to 3,600 watts (3.6 kW) of power at 30 AC Amps. The outlet is protected by a 30 Amp push-to-reset circuit breaker.



DON'T OVERLOAD THE GENERATOR

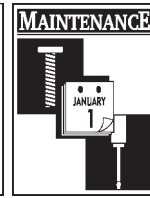
Overloading a generator in excess of its rated wattage capacity can result in damage to the generator and/or connected electrical devices. Observe the following, to prevent overloading the unit:

- Add up the total wattage of all electrical devices to be connected at one time. This total should NOT be greater than the generator's wattage capacity.
- The rated wattage of lights can be taken from light bulbs. The rated wattage of tools, appliances and motors can usually be found on a data plate or decal affixed to the device.
- If the appliance, tool or motor does not give wattage, multiply 120 Volts times ampere rating to determine watts (volts x amps = watts).
- Some electric motors, such as induction types, require about three times more watts of power for starting than for running. This surge of power lasts for only a few seconds when starting such motors. Be sure you allow for this high starting wattage when selecting electrical devices to connect to your generator. First figure the watts needed to start the largest motor. Add to that figure the running watts of all other connected loads.
- Items in the wattage reference guide (Figure 11) are provided to help you to determine how many items the generator can operate at one time.

Figure 11 — Wattage Reference Guide

Recreational/Home Uses		Professional/Contractor Uses	
Tool/Appliance.....	Watts	Tool/Appliance.....	Watts
AM/FM clock radio	50	*1/3 hp airless sprayer	600
Light bulb	100	3/8" hammer drill.....	600
Fan	200	Variable speed Sawzall®.....	960
20" color TV	400	1/2" power drill	1000
*Deep freezer	500	Quartz-halogen work light.....	1000
Personal computer and 15" monitor	800	Belt sander	1200
*1/3 hp furnace fan blower.....	800	7 1/4" circular saw	1500
Microwave oven.....	800	7 1/4" worm drive saw	1600
*18 cu ft refrigerator.....	800	*1 1/2 hp air compressor	1800
Sump pump	1000	*10" power miter saw.....	1800
Electric skillet.....	1250	6" bench grinder	1800
*1/2 hp water well pump	1400	*6" table planer	1800
*12,000 Btu window air conditioner	1400	*10" table/radial arm saw.....	2000
Space heater	1800	Wire feed welder.....	2400
Electric water heater.....	4000		

* allow 3 times listed watts for starting this device



SPECIFICATIONS

Maximum Surge Watts	6,250 watts
Continuous Wattage Capacity	5,000 watts
Power Factor	1.0
Rated Maximum Continuous Load Current	
At 120 Volts	41.7 Amps
At 240 Volts	20.8 Amps
Phase	1-phase
Rated Frequency	60 Hertz
Fuel Tank Capacity	5 U.S. gallons

GENERAL MAINTENANCE RECOMMENDATIONS

The Owner/Operator is responsible for making sure that all periodic maintenance tasks are completed on a timely basis; that all discrepancies are corrected; and that the unit is kept clean and properly stored. **Never operate a damaged or defective generator.**

Engine Maintenance

See engine manual for instructions.

Generator Maintenance

Generator maintenance consists of keeping the unit clean and dry. Operate and store the unit in a clean dry environment where it will not be exposed to excessive dust, dirt, moisture or any corrosive vapors. Cooling air slots in the generator must not become clogged with snow, leaves or any other foreign material.

NOTE: Do Not use a garden hose to clean generator. Water can enter engine fuel system and cause problems. In addition, if water enters generator through cooling air slots, some of the water will be retained in voids and cracks of the rotor and stator winding insulation. Water and dirt buildup on the generator internal windings will eventually decrease the insulation resistance of these windings.

To Clean the Generator

- Use a damp cloth to wipe exterior surfaces clean.
- Soft, bristle brush may be used to loosen caked on dirt or oil.
- A vacuum cleaner may be used to pick up loose dirt and debris.
- Low pressure air (not to exceed 25 psi) may be used to blow away dirt. Inspect cooling air slots and opening on generator. These openings must be kept clean and unobstructed.

STORAGE INSTRUCTIONS

The generator should be started at least once every seven days and allowed to run at least 30 minutes. If this cannot be done and you must store the unit for more than 30 days, use the following guidelines to prepare it for storage.

Generator Storage

- Clean the generator as outlined in “To Clean the Generator.”
- Check that cooling air slots and openings on generator are open and unobstructed.



DANGER! Storage covers can be flammable. **Do Not** place a storage cover over a hot generator. Let the unit cool for a sufficient time before placing the cover on the unit.

Engine Storage

See engine owner’s manual for instructions.

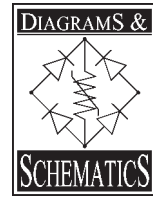
Other Storage Tips

- **Do Not** store gasoline from one season to another.
- Replace your gasoline can if it starts to rust. Rust and/or dirt in a gasoline can cause problems when you use contaminated fuel with this unit.
- Store in clean and dry area.

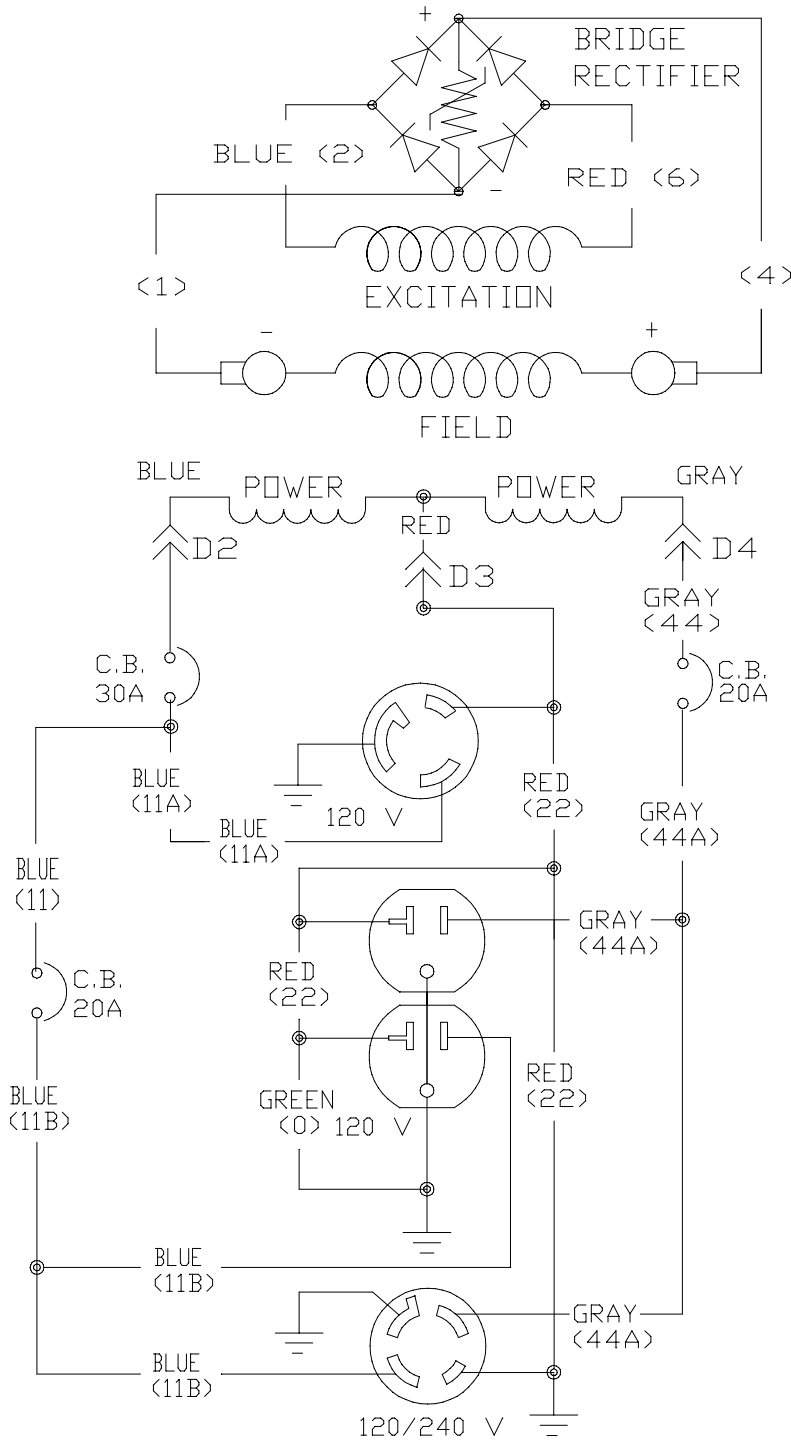


TROUBLESHOOTING

Problem	Cause	Solution
Engine is running, but no AC output is available.	<ol style="list-style-type: none"> 1. Circuit breaker is open. 2. Poor connection or defective cord set. 3. Connected device is bad. 4. Fault in generator. 	<ol style="list-style-type: none"> 1. Reset circuit breaker. 2. Check and repair. 3. Connect another device that is in good condition. 4. Contact Tecumseh service facility.
Engine runs good but bogs down when loads are connected.	<ol style="list-style-type: none"> 1. Short circuit in a connected load. 2. Generator is overloaded. 3. Engine speed is too slow. 4. Shorted generator circuit. 	<ol style="list-style-type: none"> 1. Disconnect shorted electrical load. 2. See "Don't Overload the Generator" on page 10. 3. Contact Tecumseh service facility. 4. Contact Generac service facility.
Engine will not start; or starts and runs rough.	<ol style="list-style-type: none"> 1. On/Off switch set to Off (o). 2. Dirty air cleaner. 3. Out of gasoline. 4. Stale gasoline. 5. Spark plug wire not connected to spark plug. 6. Bad spark plug. 7. Water in gasoline. 8. Overchoking. 9. Low oil level. 10. Excessively rich fuel mixture. 11. Intake valve stuck open or closed. 12. Engine has lost compression. 	<ol style="list-style-type: none"> 1. Set switch to On (-). 2. Clean or replace air cleaner. 3. Fill fuel tank. 4. Drain gas tank and fill with fresh fuel. 5. Connect wire to spark plug. 6. Replace spark plug. 7. Drain gas tank; fill with fresh fuel. 8. Put choke lever to "no choke" position. 9. Fill crankcase to proper level. 10. Contact Tecumseh service facility. 11. Contact Tecumseh service facility. 12. Contact Tecumseh service facility.
Engine shuts down during operation.	<ol style="list-style-type: none"> 1. Out of gasoline. 2. Low oil level. 3. Fault in engine. 	<ol style="list-style-type: none"> 1. Fill fuel tank. 2. Fill crankcase to proper level. 3. Contact Tecumseh service facility.
Engine lacks power.	<ol style="list-style-type: none"> 1. Load is too high. 2. Dirty air filter. 3. Engine needs to be serviced. 	<ol style="list-style-type: none"> 1. See "Don't Overload the Generator" on page 10. 2. Replace air filter. 3. Contact Tecumseh service facility.
Engine "hunts" or falters.	<ol style="list-style-type: none"> 1. Choke is opened too soon. 2. Carburetor is running too rich or too lean. 	<ol style="list-style-type: none"> 1. Move choke to halfway position till engine runs smoothly. 2. Contact Tecumseh service facility.

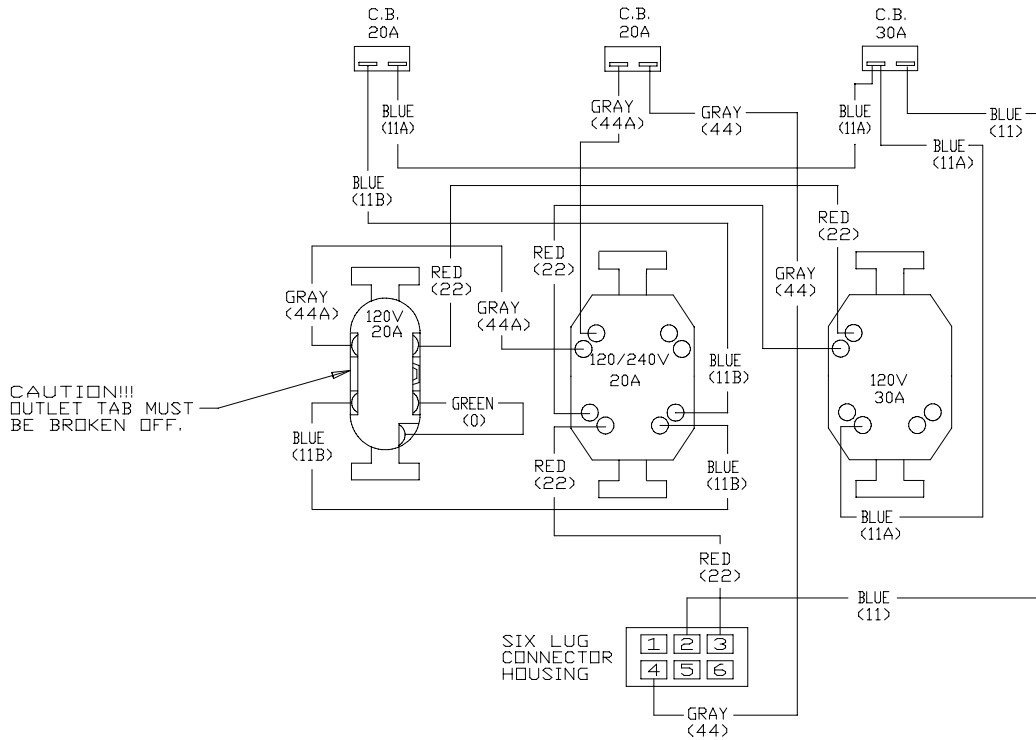


ELECTRICAL SCHEMATIC

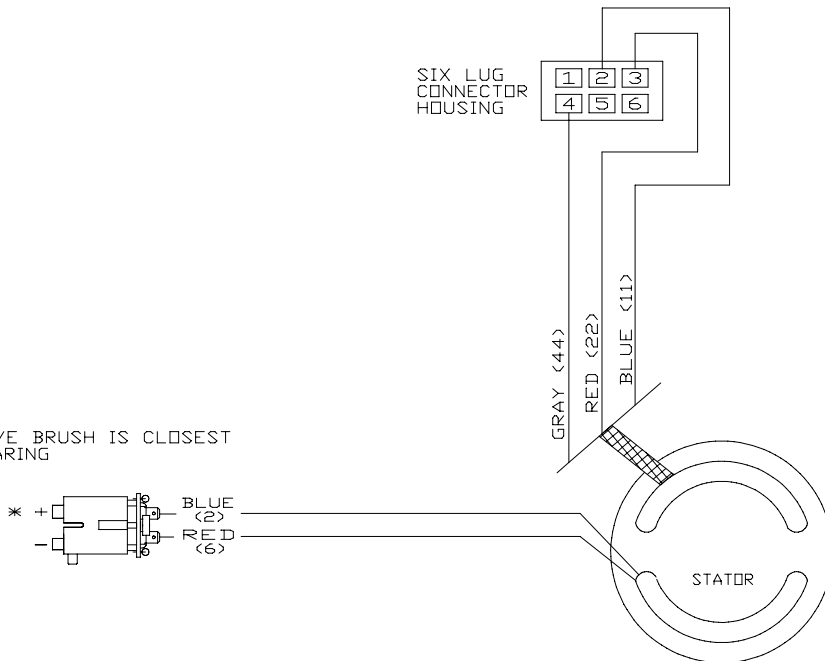


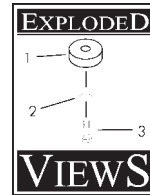


WIRING DIAGRAM

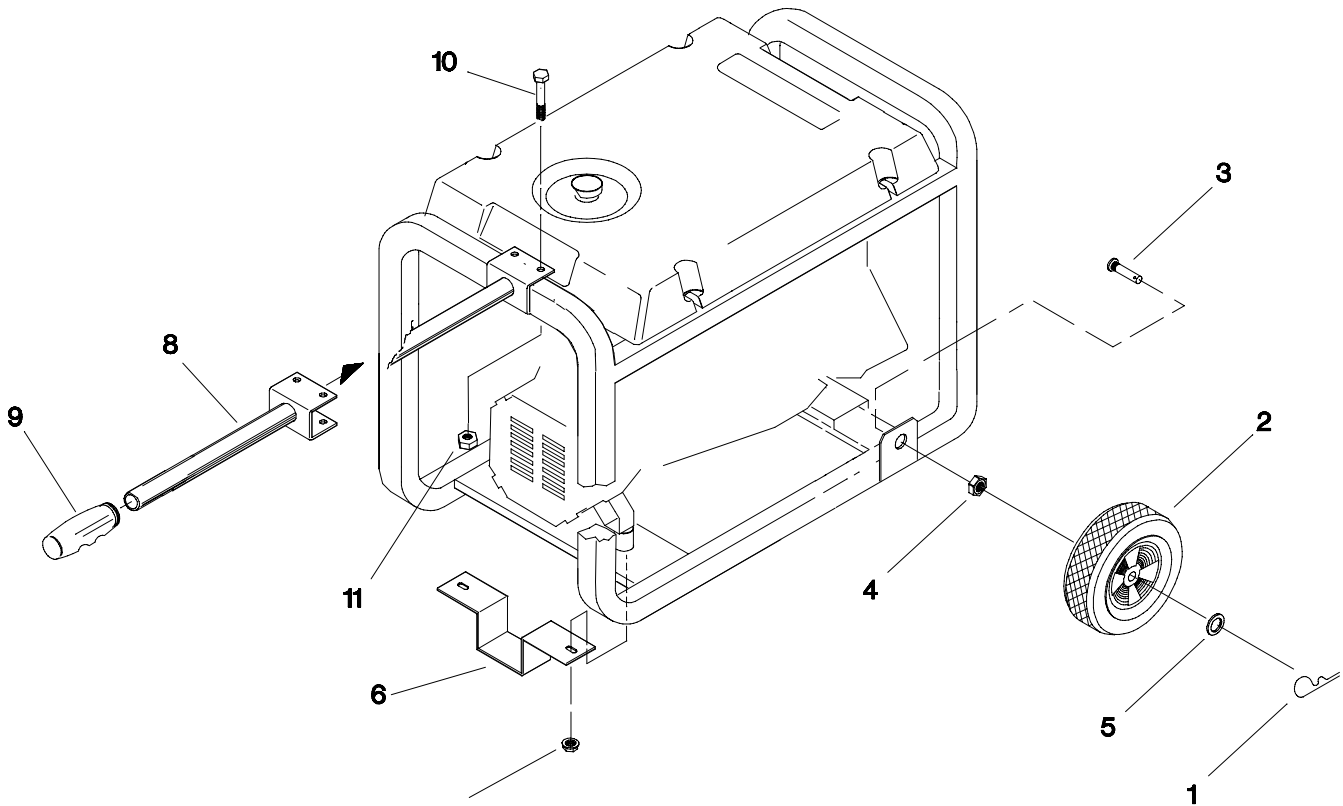


* NOTE: POSITIVE BRUSH IS CLOSEST TO BEARING



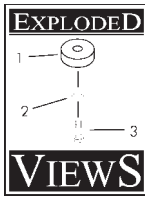


EXPLODED VIEW – WHEEL KIT

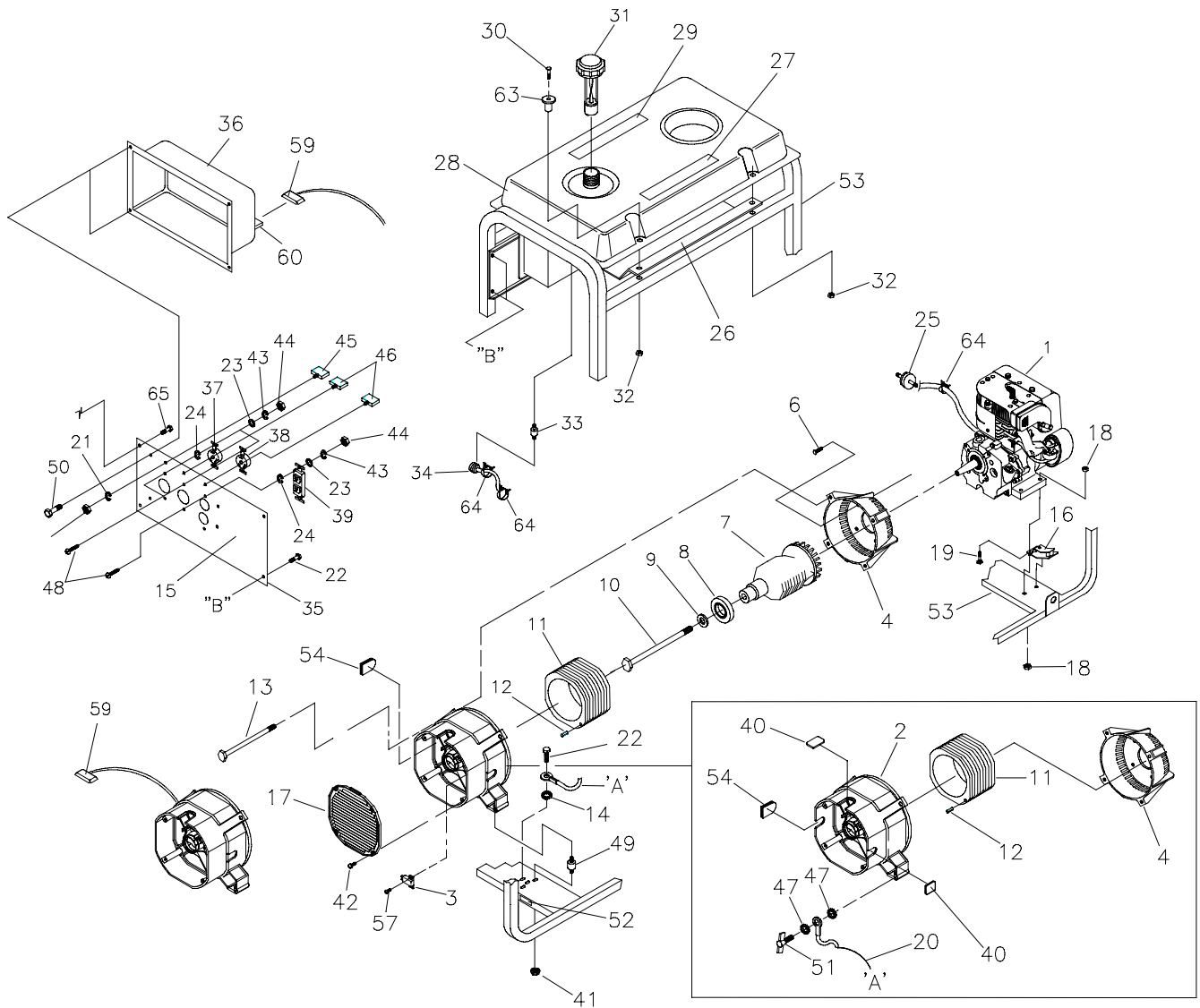


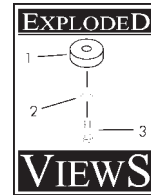
**USE EXISTING FASTENERS
TO SECURE ITEM #6**

Item	Part #	Qty.	Description
1	87005A	2	PIN, Retaining
2	87280	2	WHEEL, 8" Diameter
3	93728	2	STUD, Axle
4	94222Q	2	JAM NUT, Lock 5/8" - 18
5	49808	2	WASHER, Flat
6	94034	1	LEG, Mounting
8	B84910	1	HANDLE, Lifting
9	75928	1	GRIP, Handle
10	39287	2	HHCS, M8 - 1.25 x 45
11	52858	2	NUT, Locking Hex M8 - 1.25



EXPLODED VIEW – GENERATOR





EXPLODED VIEW – GENERATOR

Item	Part #	Qty.	Description	Item	Part #	Qty.	Description
1	NSP	1	ENGINE	31	94834	1	CAP, with Fuel Gauge
2	66825B	1	CARRIER, Rear Bearing	32	77395	4	NUT, Hex Lock - M6
3	91825	1	ASSEMBLY, Brush & Bridge Rectifier	33	78299	1	BUSHING, Plastic Tank
4	66365D	1	ADAPTER, Housing	34	80270	1	VALVE, Plastic Tank
6	86307	4	SCREW, Hex Hd 5/16-24 x 3/4 Sems	35	81897	1	PANEL, Control
7	74716J	1	ASSEMBLY, Rotor	36	81919	1	PANEL, Control Back Plastic
8	65791	1	BEARING	37	68868	1	OUTLET, 120 Volt 30 Amp Locking
9	96796	1	WASHER, Special	38	68867	1	OUTLET, 120/240 Locking
10	75431	1	BOLT, Rotor	39	68759	1	OUTLET, 120 Volt 20 Amp Duplex
11	B91859J	1	ASSEMBLY, Stator	40	84242	2	GROMMET, Rubber
12	81917	1	PIN, Roll M4 x 10	41	67989	2	NUT, M8 Flange Serrated
13	86308C	4	BOLT, Stator	42	74908	4	SCREW, Hex M5 - 0.80 x 10
14	22769	1	WASHER, Shakeproof Int #10	43	22264	6	WASHER, #8 Lock
15	B4225	1	DECAL, PP5000T	44	51715	6	NUT, Hex - M4 - 0.7
16	70642	2	MOUNT, Vibration - 45°	45	75207A	1	CIRCUIT BREAKER - 30 Amp
17	B4871	1	COVER, Bearing Carrier	46	75207	2	CIRCUIT BREAKER - 20 Amp
18	52858	6	LOCK NUT, M8-1.25 Flange	47	26850	2	WASHER, Shakeproof 1/4"
19	76222	2	PPHMS, M8-1.25 x 40 mm	48	75475	6	SCREW, M4 - 0.7 x 10 Pan Head
20	14353621	1	WIRE, Ground	49	85652	2	MOUNT, Rubber
21	82881	3	WASHER, Internal Lock	50	82308	6	SCREW, Self Tapping
22	86292	1	SCREW, #10 Self Drilling x 3/4"	51	86494	1	SCREW, M6 x 16 Wing
23	38150	6	WASHER, #8 Flat	52	B4986	1	DECAL, Ground
24	23365	6	WASHER, Lock Serrated #8	53	AB2265	1	CRADLE
25	68740	1	FILTER, Fuel	54	67022	1	GROMMET, Rubber
26	B84324	1	SHIELD, Heat	57	66849	2	SCREW, M5 - 0.8 x 15
27	92982	1	DECAL, Danger	59	22695	1	6-PIN CONNECTOR, Male
28	77374	1	TANK, Gas Plastic 5 Gal.	60	22694	1	6-PIN CONNECTOR
29	93826	1	DECAL, Operating Instructions	63	83465	4	GROMMET, Mounting Tank
30	78831B	4	CAPSCW., Hex Hd. M6 x 60	64	48031C	3	CLAMP, Hose - 1/4"
				65	B2153	4	SCREW, Self Driller #12-14 x 7/8"

LIMITED WARRANTY FOR PORTABLE GENERATORS

(EXCEPT GN ENGINE SERIES)

Generac Portable Products (hereafter referred to as the COMPANY) warrants to the original purchaser that its generator will be free from defects in materials or workmanship for a period of one year* from the date of original purchase. This warranty does not apply to units used for prime power in place of utility. This warranty does not include the gasoline engine when furnished or attached because such engine is covered solely by the warranty of the manufacturer of the engine. Starting batteries are not warranted by the COMPANY.

***NOTE:** Rental units, demonstrators, commercial applications, such as construction or income producing, are warranted for 90 days. Rental units, demonstrators, or commercial applications such as construction or utility which are resold are not covered under warranty by the COMPANY. Any warranty, whether expressed or implied, rests solely with the seller.

During said warranty period, the COMPANY will, at its option, repair or replace any part which, upon examination by the COMPANY is found to be defective under normal use and service. All transportation costs under warranty, including return to the factory if necessary, are to be borne by the purchaser and prepaid by the purchaser. This warranty does not include nominal maintenance and service and does not apply to a generator set, or parts, which have been subjected to improper or unauthorized installation, misuse, negligence, accident, overloading, overspeeding, improper maintenance, repair or storage so as, in the COMPANY's judgment, to adversely affect its performance and reliability.

THERE IS NO OTHER EXPRESS WARRANTY. THE COMPANY HEREBY DISCLAIMS ANY AND ALL IMPLIED WARRANTIES, INCLUDING BUT NOT LIMITED TO THOSE OF MERCHANTABILITY AND FITNESS FOR A PARTICULAR PURPOSE TO THE EXTENT PERMITTED BY LAW. THE DURATION OF ANY IMPLIED WARRANTIES WHICH CANNOT BE DISCLAIMED IS LIMITED TO THE TIME PERIOD AS SPECIFIED IN THE EXPRESS WARRANTY. LIABILITY FOR INCIDENTAL, CONSEQUENTIAL, OR SPECIAL DAMAGES UNDER ANY AND ALL WARRANTIES IS EXCLUDED TO THE EXTENT PERMITTED BY LAW. THE COMPANY ALSO DISCLAIMS ANY RESPONSIBILITY FOR INCIDENTAL OR CONSEQUENTIAL DAMAGES SUCH AS THE LOSS OF TIME OR THE USE OF THE POWER EQUIPMENT, OR ANY COMMERCIAL LOSS DUE TO THE FAILURE OF THE EQUIPMENT; AND ANY IMPLIED WARRANTIES ARE LIMITED TO THE DURATION OF THIS WRITTEN WARRANTY.

Some states do not allow limitations on how long an implied warranty lasts, or the exclusions or limitations of incidental or consequential damages, so the above limitations or exclusions may not apply to you. This warranty gives you specific legal rights and you may also have other rights, which vary from state to state.

This warranty is effective for all products manufactured after June, 1998, and supersedes all prior warranties of the COMPANY.

For service, contact your nearest COMPANY authorized warranty service facility or call 1-877-544-0982. Warranty service can only be performed by a COMPANY authorized service facility. At the time of requesting warranty service, evidence of original purchase date must be presented.

GENERAC PORTABLE PRODUCTS
Jefferson, Wisconsin 53549