

Sierra Wireless SB300 Series OEM Modems

User's Guide



Important Notice

Because of the nature of wireless communications, transmission and reception of data can never be guaranteed. Data may be delayed, corrupted (i.e., have errors) or be totally lost. Although significant delays or losses of data are rare when wireless devices such as the Sierra Wireless modem are used in a normal manner with a well-constructed network, the Sierra Wireless modem should not be used in situations where failure to transmit or receive data could result in damage of any kind to the user or any other party, including but not limited to personal injury, death, or loss of property. Sierra Wireless, Inc., accepts no responsibility for damages of any kind resulting from delays or errors in data transmitted or received using the Sierra Wireless modem, or for failure of the Sierra Wireless modem to transmit or receive such data.

Safety and Hazards

Do not operate the Sierra Wireless modem in areas where blasting is in progress, where explosive atmospheres may be present, near medical equipment, near life support equipment, or any equipment which may be susceptible to any form of radio interference. In such areas, the Sierra Wireless modem **MUST BE TURNED OFF**. The Sierra Wireless modem can transmit signals that could interfere with this equipment.

Do not operate the Sierra Wireless modem in any aircraft, whether the aircraft is on the ground or in flight. In aircraft, the Sierra Wireless modem **MUST BE TURNED OFF**. When operating, the Sierra Wireless modem can transmit signals that could interfere with various onboard systems.

The driver or operator of any vehicle should not operate the Sierra Wireless modem while in control of a vehicle. Doing so will detract from the driver or operator's control and operation of that vehicle. In some states and provinces, operating such communications devices while in control of a vehicle is an offence.

Patents

Portions of this product are covered by some or all of the following US patents: D367062, D372248, D372701, 5515013, 5617106, 5629960, 5682602, 5748449, and other patents pending.

Copyright

©1999 Sierra Wireless, Inc. All rights reserved.
Printed in Canada.

No part of this publication may be reproduced, stored in a retrieval system, or transmitted in any form or by any means, without the prior permission of the publisher.

The information in this manual is subject to change without notice and does not represent a commitment on the part of Sierra Wireless, Inc. Sierra Wireless, Inc. shall not be liable for incidental or consequential damages resulting from the furnishing, performance, or use of this manual.

The Watcher and WirelessExpert™ software described in this manual are copyright 1998 Sierra Wireless, Inc. All rights reserved.

Trademarks

Watcher and WirelessExpert™ is a trademark of Sierra Wireless, Inc.

Windows® and Microsoft® are registered trademarks of Microsoft Corporation.

Hayes™ is a trademark of Hayes Microcomputer Products, Inc.

Paradyne™ is a trademark of Paradyne Corporation.

ETC® is a registered trademark of Paradyne Corporation.

All other brand or product names, logos, trademarks, etc. mentioned in this manual are owned by their respective companies.

Regulatory Information

The equipment certifications appropriate to your device are marked on the device and the accompanying product specific information. Where appropriate, the use of the equipment is subject to the following conditions:



CAUTION

Unauthorized modifications or changes not expressly approved by Sierra Wireless, Inc. could void compliance with regulatory rules, and thereby your authority to use this equipment.



WARNING (EMI) - United States FCC Information

This equipment has been tested and found to comply with the Class B limits pursuant to Part 15 of the FCC Rules. These limits are designed to provide reasonable protection against harmful interference in an appropriate installation. This equipment generates, uses, and can radiate radio frequency energy and, if not installed and used in accordance with the instructions, may cause harmful interference to radio communication. However, there is no guarantee that interference will not occur in a particular installation. If this equipment does cause harmful interference to radio or television reception, which can be determined by turning the equipment off and on, the user is encouraged to try to correct the interference by one or more of the following measures:

- *Reorient or relocate the receiving antenna*
- *Increase the separation between the equipment and receiver*
- *Connect the equipment into an outlet on a circuit different from that to which the receiver is connected*
- *Consult the dealer or an experienced radio/TV technician for help*



WARNING – FCC RF Exposure Guidelines

While this device is in operation, a separation distance of at least 20cm must be maintained between the radiating antenna and the body of all persons exposed by the transmitter to meet FCC exposure guidelines.

This transmitter is only approved to operate with an antenna not exceeding 1.5 watts total system ERP (effective radiated power) for operations with the antenna located at more than 20 cm from all persons. The warning label must be displayed at the base of the antenna (if stand-alone) or attached to the final product (if the antenna is integral with the product), clearly visible to all persons exposed to the transmitter.

For Final Product Regulatory Approvals in the USA

To use the modems in the United States of America without additional FCC certifications you must:

1. Use an antenna providing a total system ERP (effective radiated power) not exceeding 1.5 watts for operations with the antenna located at more than 20 cm from all persons. If the system exceeds 1.5 watts ERP then separate submissions to the FCC are required.
2. Place a warning label on the antenna (if stand-alone) or attached to the final product visible to all persons exposed to the transmitter (if the antenna is integral with the final product). This label must state:

“WARNING:

While this device is in operation, a separation distance of at least 20cm must be maintained between the radiating antenna and the body of all persons exposed to the transmitter to meet FCC exposure guidelines.”

3. The word “WARNING” should be placed in front of or above the warning statement included in documentation and also in the actual warning label on the antenna or final product.

This warning label is not required when Specific Absorption Rate (SAR) compliance of a final product configuration is approved through a separate FCC equipment authorization approval. Otherwise, the warning label is required on the antenna or final product in order to meet separating distance requirements to satisfy the FCC RF exposure requirements.

**WARNING (EMI) – Canada**

This digital apparatus does not exceed the Class B limits for radio noise emissions from digital apparatus as set out in the interference causing equipment standard entitled 'Digital Apparatus', ICES-003 of the Department of Communications.

Cet appareil numérique respecte les limites de bruits radioélectriques applicables aux appareils numériques de Classe B prescrites dans la norme sur le matériel brouilleur: 'Appareils Numériques', NMB-003 édictée par le ministre des Communications.

RSA Licensee

If you have purchased this product under a United States Government contract, it shall be subject to restrictions as set forth in subparagraph (c)(1)(ii) of Defense Federal Acquisitions Regulations (DFARs) Section 252.227-7013 for Department of Defense contracts, and as set forth in Federal Acquisitions Regulations (FARs) Section 52.227-19 for civilian agency contracts or any successor regulations. If further government regulations apply, it is your responsibility to ensure compliance with such regulations.



Contact Information

Sierra Wireless, Inc.
13575 Commerce Parkway
Suite 150
Richmond, BC
V6V 2L1

Telephone: (604) 231-1100
Fax: (604) 231-1109

e-mail: support@sierrawireless.com
Web: www.sierrawireless.com

Customer Service

Help Desk

Open between 6:00 a.m. and 5:00 p.m. Pacific Time
(604) 231-1128
support@sierrawireless.com

Warranty and Service Desk

Open between 8:00 a.m. and 5:00 p.m. Pacific Time
(604) 231-1157
support@sierrawireless.com

Sales Desk

Open between 8:00 a.m. and 5:00 p.m. Pacific Time
(604) 231-1100
sales@sierrawireless.com

Web

Consult our webpage for
up-to-date product descriptions, documentation,
application notes, firmware upgrades,
troubleshooting tips, and press releases:

www.sierrawireless.com

Contents

Getting Started

- 1. About this Guide 1**
 - 1.1. Introduction 1**
 - 1.1.1. Getting Started..... 1
 - 1.1.2. Operational View..... 1
 - 1.1.3. Hardware View..... 1
 - 1.1.4. OEM Developer's Toolkit Checklist 2
 - 1.2. References..... 2**
 - 1.3. Currency 2**
 - 1.4. Document Structure..... 3**
 - 1.4.1. Modem Operations 3
 - 1.5. Conventions Used in this Reference 4**
- 2. Getting Started 5**
 - 2.1. Introduction 5**
 - 2.2. Registration..... 5**
 - 2.2.1. CDPD..... 5
 - 2.2.2. CSC (AMPS)..... 6
 - 2.2.3. Wireline 6
 - 2.3. Setup Considerations 6**
 - 2.3.1. Host Computer Terminal..... 6
 - 2.3.2. Physical considerations 7
 - 2.3.3. Antenna considerations 7
 - 2.4. MIB Presets 8**
 - 2.5. Connections..... 8**

The Operational View

3.	Software Installation.....	11
3.1.	Introduction.....	11
3.2.	Installing Software on the Host.....	11
3.3.	Configuration using WirelessExpert.....	12
3.4.	About Watcher.....	13
3.5.	Using Watcher for Modem Setup.....	13
3.5.1.	Configuring Watcher.....	13
3.5.2.	Configuring Cellular Settings using Watcher.....	14
3.6.	Monitoring CDPD With Watcher.....	15
3.7.	About the Watcher Program Window.....	16
3.7.1.	Icon Status.....	16
3.7.2.	Watcher Menus and Commands.....	16
3.7.3.	Toolbar Buttons.....	18
3.7.4.	Status Indicators.....	18
3.7.5.	Updating Status Indicators.....	18
3.7.6.	Quitting Watcher.....	18
3.8.	Updating Modem Firmware.....	19
4.	Basic Modem Operation.....	21
4.1.	Introduction.....	21
4.2.	Modem Modes and States.....	21
4.2.1.	Modes.....	21
4.2.2.	States.....	21
4.2.3.	Conditions.....	22
4.3.	Modem Communications with the Host (DTE).....	22
4.3.1.	Fixed Rate Setting (+IPR).....	22
4.3.2.	DTE Communication Options.....	22
4.3.3.	DTR Signal Handling.....	23
4.3.4.	DSR Signal Control.....	23
4.3.5.	Local Flow Control.....	23
4.3.6.	Result Code Formats.....	24
4.4.	Communication Protocols and Stacks.....	24
4.4.1.	SB300 Series Internal Protocol Stacks.....	25

4.5. Modem Handshaking (SB320)	25
4.5.1. Modem Protocol Layers	25
4.5.2. CSC vs. Wireline	27
5. CDPD Operation	29
5.1. Cellular Digital Packet Data (CDPD) Introduction	29
5.1.1. Security	29
5.1.2. Architecture.....	30
5.1.3. Modem Registration	30
5.1.4. CDPD Radio Coverage	31
5.1.5. CDPD and the SB300 Series Modems	31
5.2. Configuring NEI Entries	32
5.2.1. NEI Table.....	32
5.2.2. SPNI Matching	33
5.3. CDPD Network Registration	33
5.3.1. Active and Auto-register NEI Indices	34
5.3.2. Manual Registration.....	34
5.3.3. Automatic Registration	35
5.3.4. De-registration.....	35
5.4. Monitoring the Network Connection	36
5.4.1. Radio Signal Monitors	36
5.4.2. Registration Status	36
5.4.3. PING	37
5.5. Sleep Mode	38
5.5.1. CDPD Sleep	38
5.5.2. Logic Sleep.....	38
5.6. Friends Only	39
5.7. Dial Directory	39
5.8. Packet Services	39
5.8.1. Serial Line Interface Protocol (SLIP).....	40
5.8.2. User Datagram Protocol (UDP).....	42
5.8.3. Transmission Control Protocol (TCP).....	48
5.9. Packet Assembly Management	54
5.10. Data and Telemetry Applications	55

6. CSC Operation57

6.1. Introduction..... 57

6.1.1. Modem Registration 57

6.1.2. CSC Radio Coverage..... 57

6.1.3. Modem Pools 58

6.2. Configuring the Modem for CSC..... 58

6.2.1. Setting the NAM 58

6.2.2. Confirm CSC Service 59

6.3. Originate a CSC Connection..... 60

6.4. Auto-answer a Cellular Call..... 60

6.5. Optimizing Data Performance 60

6.5.1. Factory Default for ETC 61

6.5.2. Connections to ETC Enabled Modems 62

6.5.3. Connections to Non-ETC Compatible Modems..... 62

6.5.4. Connections to Modem Pools..... 63

7. Wireline Operation65

7.1. Introduction..... 65

7.1.1. Hardware 65

7.2. Configuring the Modem for Wireline 65

7.2.1. Connecting to another Wireline Modem or Modem Pool 65

7.2.2. Connecting to a Cellular Modem 65

7.3. Originate a Wireline Connection 66

7.4. Auto-answer a Wireline Call..... 67

8. Voice Operation in CSC and Wireline.....69

8.1. Introduction..... 69

8.2. Setting Voice Mode..... 69

8.2.1. Command and Register Profiles 69

8.3. Placing a Voice Call..... 70

8.4. Receiving a Voice Call..... 70

8.5. Adjusting MIC and SPKR Levels 71

8.6. Terminating a Voice Call 71

9. Troubleshooting..... 73

9.1. Introduction73

9.2. General Modem Problems73

9.3. General Communication Problems74

9.4. CDPD Problems74

9.5. CSC Problems.....75

9.6. Wireline Problems75

The Hardware View

10. Product Descriptions 77

10.1. Hardware Integration Considerations.....77

10.2. Specifications Common to All Modems79

 10.2.1. Application Interface Specifications79

 10.2.2. Special Features.....79

 10.2.3. Environmental Specifications.....79

 10.2.4. Connector Part Numbers80

10.3. SB300 CDPD Modem.....81

 10.3.1. Mechanical81

 10.3.2. Connectors82

 10.3.3. Power Specifications.....82

 10.3.4. Heat Dissipation82

 10.3.5. RF Features83

 10.3.6. Electrical83

10.4. SB320 Specifications87

 10.4.1. Mechanical87

 10.4.2. Connectors88

 10.4.3. Power Specifications.....88

 10.4.4. Heat Dissipation88

 10.4.5. RF Features89

 10.4.6. Electrical89

 10.4.7. SB320 Communication Mode Specifications.....93

11. Multipurpose Interface Board95

11.1. Introduction 95

 11.1.1. Features..... 95

11.2. Board Description..... 96

 11.2.1. Schematic..... 96

 11.2.2. Parts Layout 96

11.3. Power Supply 97

 11.3.1. Voltage Adjustment..... 97

 11.3.2. Using Power from Host (DTE) 97

11.4. Connections..... 97

 11.4.1. PC Host (DTE) RS-232 Serial Connection 97

 11.4.2. Host (DTE) Connection for SB300/320..... 98

 11.4.3. Host (DTE) Connection for SB301/302..... 98

 11.4.4. Protocol Analyzer Connection 98

 11.4.5. SB300 / SB320 Modem Connection..... 98

 11.4.6. SB302 Modem Connection..... 99

 11.4.7. SB220 Modem Conneciton..... 100

11.5. Jumpers 100

 11.5.1. Main Jumper Block 100

 11.5.2. Power Select 101

 11.5.3. SPK EN – Speaker Enable..... 101

11.6. Serial Breakout Box..... 101

 11.6.1. DIP Switch..... 101

 11.6.2. Serial Connection Indicators 101

11.7. Test Points..... 102

 11.7.1. TP1 DISC 102

 11.7.2. TP2 KEY 102

 11.7.3. TP3 5V Adjusted..... 102

 11.7.4. TP4 5V Setting..... 102

 11.7.5. TP5 Debug for 5V / GND..... 102

 11.7.6. TP6 Unused 102

 11.7.7. Current Measurement 102

11.8. Reset Button..... 102

11.9. Initial Setup 103

1. About this Guide

1.1. Introduction

This guide is intended to assist both hardware integrators and application software developers with the setup, installation, testing, and design of applications for the Sierra Wireless SB300 Series OEM modems. You should be familiar with the use of modems, communication media (PSTN and Cellular), protocols, and the use of AT commands.

This guide describes the full feature set of the entire SB300 series, so some sections may not apply to the particular model you are using. Consult the Product Descriptions for a summary of the features available on each product.

1.1.1. Getting Started

Chapter 2 covers the setup up of the OEM Developer's Toolkit (the toolkit) and establishing host communication with the modem. If you have any uncertainties about the Multipurpose Interface Board (MIB), the modem, or the connectors, consult the Hardware View reference chapters.

1.1.2. Operational View

The main body of this document covers the operational issues of the SB300 Series modems.

Installation and use of the application software *Watcher* and *WirelessExpert™* is covered. These programs are designed to manage use of the modem in a Microsoft Windows® 95/98/NT environment without the need for further interface programming.

If custom applications are required, additional information is provided covering connection issues and tips for writing applications. A complete reference to the available modem commands is in a separate document (2110031 included with the toolkit).

Use of a terminal application for initial setup and testing of a modem may be required. Terminal emulation software is not provided nor described in this guide.

1.1.3. Hardware View

This guide provides product descriptions of the SB300 Series OEM modems including the information needed for the physical integration of the modems.

A full description of the Multipurpose Interface Board provided with the OEM Developer's Toolkit is also included in this guide.

1.1.4. OEM Developer's Toolkit Checklist

Your toolkit should include the following parts:

SWI Part No.	Description
1200054	Multipurpose Interface Board (MIB)
1900000	AC Adapter
006.0011	10' Serial Cable with 9-pin D connectors
2000068	30-Pin Flat Flex Cable (for SB300 and SB320)
2000071	13-Pin I/O Connector Cable (for SB320)
1710034	13-pin Male SB320 Connector sample
1710134	13-pin Female SB320 Connector sample
1810009	Magnetic Mount Cellular Antenna with coaxial cable
2000066	Cable Adapter for antenna coax to SB modems. (MMCX to SMA)
006.0002	Telephone Cable
1900003	Headset with Microphone, cable and connector.
2000067	16-Pin Ribbon Connector Cable (for SB302)
6000084	CD with Watcher and WirelessExpert™ Revision 3.3.1 or above.
2110031	SB300 Series OEM Modems AT Command Reference
2110059	SB300 Series OEM Modems User's Guide (this document)

1.2. References

For detailed information on the command interface of an SB300 Series modem, consult the Sierra Wireless SB300 Series OEM Modems *AT Command Reference*, document number 2110031, included in toolkit.

For background information on the nature of wireless communications consult your cellular service provider and/or their Internet site. All major service providers provide web-based information on CSC and CDPD.

1.3. Currency

This document is under ongoing revision to maintain currency with product development. Please check our web site frequently for revisions. This edition is:

Rev 1.1 June 22, 1999

This document is current with the following modem firmware revisions:

SB300

Revision R1.1.1. To determine your firmware revision:

1. Enter the Identification command **ATIS**
The modem will respond with the Firmware revision information:
R1-1-1 ...

The details following the revision number may vary depending on the mode of the modem.

SB320

Revision R1.1.2. To determine your firmware revision:

1. Enter the Identification command **ATI5**

The modem will respond with the Firmware revision information:

```
CDPD Mode:          R1_1_2 ...  
CSC/Wireline Modes: (no tag) g:/sb3xx/r1_1_2/ ...
```

If the identification command is issued in any of the wireline or CSC modes, this firmware provides no revision tag, however the revision is found farther down the string.

Upgrading

If your modem firmware is an earlier version, you can acquire updated firmware by contacting Sierra Wireless Technical Support at 604.231.1128 or by e-mail to support@sierrawireless.com. Instructions for updating the modem firmware are contained in Section 3.8 Updating Modem Firmware.

Descriptions of Watcher and WirelessExpert are current with revision R3.3.1. The revision is reported in the splash screen when the program is started and can be checked using the **Help > About** option from the program's menu.

1.4. Document Structure

This document focuses on the operational view. The hardware view is covered in a reference section at the end.

There is a Getting Started chapter in this section intended to help you quickly get the toolkit components connected and communicating.

The operational view follows, starting with the basics of the Watcher and WirelessExpert™ software provided with the toolkit. Important background on the modem basics, including terminology used in this guide, starts you into the operational elements of getting your modem configured and operating. There are separate chapters covering modem operation in each of the three possible modes with sample configurations.

The hardware view is covered in two chapters. The first describes the modem product descriptions including the hardware integration issues of each of the modems. The second is a reference to the Multipurpose Interface Board (MIB) used to test and configure the modem during product development.

1.4.1. Modem Operations

The various modes, states, and conditions the modem can be placed in are described in the chapter on Basic Modem Operations. That chapter also discusses the communication interface between the host (DTE) and the modem.

The types of protocols supported in each mode are described but examples of configuring the modem will be found in the chapters on operations for each specific mode.

1.5. Conventions Used in this Reference



WARNING

Notes in this form denote a physical hazard. The warning calls attention to a procedure or practice which, if not performed correctly, could result in personal injury.



CAUTION

Notes in this form highlight a procedure or practice which, if not performed correctly, could result in loss of data or damage to equipment. This is also used to highlight issues related to regulatory limitations.



NOTE

This form of note draws attention to procedures or practices which, if not performed correctly, could result in failure of a process or improper configuration. These are typically pre-requisites to other operations.

Hardware signals are named with a convention of:

NAME active high (5 Volts)
\NAME active low (0 Volts)

Result Code – This is a numeric or text code that is returned after all commands (except resets).

Response – This term indicates a response from the modem which is issued prior to a return code. Reading registers or issuing commands that report information will provide a response followed by a return code unless the command generates an error.

Hexadecimal values are shown with a prefix of 0x, i.e. in the form 0x3F.

Character codes which are described with words or standard abbreviations are shown within angle brackets: such as <CR> for Carriage Return and <space> for a blank space character.

AT Command and register syntax is noted using an alternate font:

AT+WS46=4

2. Getting Started

2.1. Introduction

This chapter guides you through the initial physical setup of a host terminal (usually a PC), the Multipurpose Interface Board (MIB), and a modem. Related start-up issues such as cellular activation are also covered. If you have any difficulties, consult the reference chapters in the Hardware View to become more familiar with the components and their setup.

After completing this chapter, you should be able to communicate (DTE to DCE) with the modem by using AT commands from a host terminal. Modem connection to a remote modem is not covered until the Operational View.

The chapters immediately following deal with the Operational View. Software Installation will deal with the installation on a host PC of the Watcher and WirelessExpert™ software which make further configuration of the modem and testing on a CDPD network (if applicable) much simpler.

A reference section covering the Hardware View follows at the end of the manual.

2.2. Registration

Before you can use your modem for wireless communication you must register it with a cellular service provider. This section describes what they will need to know and what information they will provide to you.

Contact your service provider to get the registration process started. While the service provider is getting your account configured, you can install and configure your modem. Record the information provided by your carrier for configuring the modem later.

In any coverage area there can be two providers, each assigned to a “side” (A or B) of the cellular waveband. Each provider is also assigned a Service Provider Network Identifier (SPNI) number.

2.2.1. CDPD

To use your modem in CDPD mode it must be activated on a CDPD network. To register your modem for Wireless IP activation on CDPD networks, contact your local CDPD service provider.

Give the CDPD service provider the Equipment Identifier (**EID**). This is the identification number of the radio/modem. A Sierra Wireless modem EID has the following format:

00-A0-D5-xx-xx-xx

Look for this number on the back of your modem and on a label affixed to the outside of the package that the modem was shipped in. If only the ESN (Electronic Serial Number) can be found you can convert it to a Sierra Wireless EID by expressing the last 8 digits as hexadecimal values. For example:

ESN: 206 - **00057628** = EID: 00-A0-D5-**00-E1-1C**
57628 = 0xE11C

The EID number is also available by querying the modem with the **AT+WPEID** command.

The CDPD service provider supplies the following:

1. Modem address, commonly referred to as a Network Entity Identifier (**NEI**). This may also be referred to as your Internet Protocol (**IP**) address. This identifies your modem on a CDPD network and on the Internet.
2. IP address of a router or server to ping when testing the connection. This may be a Domain Name Server (**DNS**).

Both of the above items are in the form of an IP number. This is made up of four numbers ranging in value from 0 to 255, separated with periods (sample: 192.168.0.9)

3. Side designator, A or B. This determines the channels used by your CDPD service provider.
4. SPNI number of the provider. This is optional. The Service Provider Network Identifier (SPNI) can be used to restrict the modem to accepting service from a limited list of providers and can help speed up cellular channel acquisition and registration.

This information will be required when configuring your modem for CDPD registration either with WirelessExpert or AT commands.

2.2.2. CSC (AMPS)

To use your SB320 modem in CSC mode it must be activated with a cellular phone service provider. To register your modem for CSC activation, contact your local cellular carrier.

Give the service provider the Electronic Serial Number (**ESN**). This is the identification number of the radio/modem. A Sierra Wireless ESN has the following format: 206-xxxxxxx. Look for this number on the back of your modem and on a label affixed to the outside of the package that the modem was shipped in. The number is also available by querying the modem with the **AT+WVESN** command.

The cellular service provider supplies the following:

1. A Number Assignment Module (**NAM**). This is your cellular telephone number and your Home System ID (**SID**).
2. Side designator, A or B. This determines the channels used by your service provider.

This information will be required when configuring your modem for CSC mode use either with WirelessExpert or AT commands.

2.2.3. Wireline

There are no particular setup issues to configure your SB320 modem for use in wireline mode. It is required that the telephone line be analogue - not digital as found on some PBX systems.

2.3. Setup Considerations

2.3.1. Host Computer Terminal

You will require a PC with a communications program capable of operating in ASCII terminal emulation mode. This allows the PC to function as a terminal attached to the modem and permits the entering of AT commands required for modem setup and diagnostics. We recommend that the program chosen be capable of logging terminal communications activity to a file for later analysis or printout in the event that technical support is required.

For IBM PC-compatibles, Windows Terminal, Hyperterminal, Procomm, and Kermit are all acceptable. Note that early versions of Hyperterminal do not allow you to send SLIP framing characters to the modem, preventing use of the escape sequence. This is corrected in later versions.

A 9-pin D connector RS-232 serial cable (part number 006.0011) is provided with the OEM Developer's Kit for connecting the PC host to the Multipurpose Interface Board.

2.3.2. Physical considerations



NOTE

The MIB and modem can be sensitive to static so the work surface should be a static controlled environment.



2.3.3. Antenna considerations

The SB300 Series modem uses standard mobile cellular radio signals. An antenna (part number 1810009) is provided with the OEM Developer's Kit. Along with this antenna is a connector adapter (part number 2000066) to convert the antenna connector (Male SMA) to match the modem requirement (Male MMCX).

You can use an antenna of your own if you choose. Any standard cellular antenna of good quality will function properly provided you have a suitable connector.



CAUTION

The combination of cable loss and antenna gain must yield an overall system gain not exceeding 0 dB. The transmitter output of 0.6 Watt is delivered at the connector. This is the FCC regulated limit of a Class I device.

Antenna performance is subject to the following guidelines:

Location – Locate the antenna as far away from personnel as possible to minimize signal blocking. For optimum reception in indoor fixed location applications, position the antenna above the height of personnel and nearby equipment or structures. Locate the antenna as close to a window as possible.

Cabling – Select a low loss, high quality, 50-ohm, coaxial cable with the appropriate connectors. The cable can be any length, but lengths greater than 4 metres (13.1 feet) increase cable loss and offset the antenna's nominal gain. If longer length cables are required, use a heavier wire gauge to reduce the dB loss/m and to minimize the effect of the cable loss on antenna gain.

Ground Plane – For installations where a good antenna ground plane (metal surface) is not available, use a non-ground plane type of antenna to help maximize signal reception.

Proximity to Other Antennas – In general, do not locate the SB300 Series modem antenna closer than 1.5 metres (5 feet) to another antenna. In certain cases even more separation is required. The effect of the interference from two-way transmitters varies from slowing down response times to blocking modem transmission.

The SB300 has recently had hardware modifications to support an upcoming Sierra Wireless 3-Watt booster.



CAUTION

In cases where the antenna output is to be connected to test equipment, DC blocks must be used on the antenna output to protect the test equipment and avoid false booster detection..

2.4. MIB Presets

The Multipurpose Interface Board has several switches and jumpers which should be configured as follows for the initial setup.

- DIP Switch in the Serial Breakout Box:
Switches 1 through 8 should be closed (on)
Switches 9 and 10 open (off).
- Power Select (J21) should be on pins 1 – 2 (+5V).
- HOSTSHDN, \SHDN, and MODEM DIS jumpers on J24 should all be off.
- Speaker Enable should be on.

2.5. Connections

This section describes the steps to connect the PC host, MIB, and modem. At the end of this procedure you should be ready to configure and use the modem. If results at any step are not as described, consult the chapter on troubleshooting.

To connect follow these steps:

1. Attach the RS-232 serial cable from the host to the MIB **PC Serial Port** connector (J1). The Serial Breakout Box indicators for DTR, TxD, and RTS should all light (powered from the RS-232 connection).
2. Start the terminal application on the host PC. Configure the application for the port connected to the MIB. At this time, the modem initially *requires* a setting of 19200 bps, 8 data, no parity, 1 stop, with hardware (RTS/CTS) flow control.
3. Instruct the terminal application to connect.
The DTR and RTS indicators should be green. The TxD indicator should be red.
4. Attach the 30-pin flat flex modem connector strap to the MIB's SB300/SB320 port.

To make the SB300/320 connection:

- i. Open the hinged SB300/SB320 connector on the MIB by lifting it away from the edge of the board.
- ii. Slide the strap into the connector with the contact side down (coloured side up). Be sure it is fully inserted.



- iii. Close the connector by pressing down on the ends of the connector rather than the centre.



- iv. Connect the 13-pin I/O cable to the MIB and the modem. This connector is keyed to prevent connection error.

5. Attach the modem to the connector strap using the same procedure as the MIB end of the connector.

**CAUTION**

*Although the MIB provides support for the full SB Series of modems, it is not intended to support more than **one modem at a time**. Attaching more than one modem can damage circuitry.*

6. Place the antenna in a suitable location, attach the antenna connector adapter to the antenna cable, and attach the cable to the modem.
7. Ensure the modem power switch is OFF.
8. Plug the 12V DC power adapter into a 120V AC outlet and connect the power supply to the MIB.
9. Switch on the MIB and modem power using the POWER switch on the MIB. The remaining LED indicators should come on. Power indicators for 7V and 5V should show red. The Serial Breakout Box indicators should all light; the DSR signal shows green. The Status indicators should begin operation to specification as the modem initializes. In about 6 to 10 seconds (following the modem's internal initialization) the CTS serial signal should go green and **OK** should appear on the PC terminal.
10. Type **AT<enter>** at the host terminal. The modem should reply with **OK**.

The modem is now ready to be used with the host computer.

You may now continue to use the modem with the terminal application, or you may close the terminal application and use Watcher and WirelessExpert (described below) to configure and use the modem.

The Operational View

3. Software Installation

3.1. Introduction

This chapter provides instructions for installing Watcher and WirelessExpert™ on a host PC and using these programs to configure and use the modem. It also includes procedures for updating the firmware on the modem if needed.



NOTE

*Running WirelessExpert is **required** before using Watcher. WirelessExpert will install and configure necessary drivers on the host PC.*

Watcher

Watcher is a Windows application that configures and monitors Sierra Wireless modems for CDPD, Circuit Switched Cellular (CSC), and Wireline operation. This chapter explains how to install Watcher and describes basic Watcher operations and important screen elements.

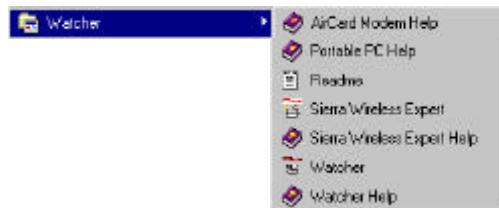
WirelessExpert

Installation of the drivers required for modem operations is performed with an installation wizard called WirelessExpert. This can be run at any time to view and edit the cellular activation settings (NAMs, NEIs, etc.). It allows you to test cellular connections.

3.2. Installing Software on the Host

The software is provided on CD-ROM. The CD is self-starting when inserted into a PC running Windows 95/98/NT. An installation wizard will guide you through the process.

A menu folder is added to the Start > Programs menu:



3.3. Configuration using WirelessExpert

WirelessExpert will automatically locate the modem on a COM port, interrogate it for features, and install the required drivers on your host PC. It will then allow you to set or alter the cellular activation settings.

To make the modem drivers available to the Windows operating system, the PC may be restarted part way through the execution of WirelessExpert. This is done automatically but does require that no other programs are running on the PC at the time.

Preparation:

1. Ensure the host serial connection to the modem via the MIB is in place and the modem power is on. The full set of serial communication LED indicators should be on.
2. For CDPD configurations:
 - a. Ensure the modem is in CDPD mode (**+WS46=4**). This can be queried (**AT+WS46?**) to verify.
 - b. Ensure the modem is using the SLIP mode of service (**+WS45=3**). This can be queried (**AT+WS45?**) to verify.
 - c. Ensure the modem is set to auto-register (**+WS173=1**).
3. Close any open applications on the host PC including any communication program connected to the modem. A system restart supervised by WirelessExpert may fail if other programs are running. Leave the modem on.
4. Have the NAM / NEI and related information from your cellular service provider ready. See Section 2.2 for information on cellular service registration.

Installation:

1. Select **Start > Programs > Watcher > WirelessExpert** from the Windows taskbar.
2. Select the modem being used from the list:
SB320 – OR – **SB300 Series** for the SB300
3. Click **Next >** and then **Next >** again to skip the page regarding setup of other modem products. WirelessExpert then locates the COM port connected to the modem and finds the related registry entries for it. The results are displayed.
4. Click **Next >** to have WirelessExpert install the appropriate drivers for the modem.
5. A message may appear advising of the need to restart the computer. Click **OK**. WirelessExpert shuts down the computer and restarts it for you.
6. When the setup wizard reappears, continue to click **Next >** until you pass the section on connectivity components. WirelessExpert now examines the modem for cellular network activation, reading any NAM and NEI entries stored on the modem.
7. The next page allows you to set the level of access to configuration settings that will be allowed to the Watcher program. Setting “full access” will allow Watcher to alter the NAM / NEI settings, “read-only” will allow Watcher to display the settings but you will have to use WirelessExpert or direct AT commands to alter settings.
8. For SB320 installations, the NAM entries for CSC activation will be presented for entry and editing. This screen is automatically skipped for CDPD only modems.
9. For SB320 installations, WirelessExpert can test the connection provided you have a registered NAM and a number to dial. This tests that the modem can obtain a cellular channel and place a call. The called station can be your own voice line if you simply want to verify that the modem can reach a destination phone number. The test can be skipped by marking the checkbox on the screen. This test screen is automatically skipped for CDPD only modems.
10. The CDPD settings of the modem are displayed for entry and editing. A radio button sets the active NEI for use. A pull-down menu allows setting of the channel side preference.

11. You are prompted to enter an IP address for a Domain Name Server (DNS). Your cellular service provider should have provided one. This address is used for testing the CDPD configuration by “pinging” the provided address. It is also added to the Windows Dial-up Networking profile. The DNS is **not** stored in the modem, it is on the host side only.
12. The CDPD settings can now be tested by WirelessExpert and will be setup in the Windows Dial-up Networking Connection facility. A pull-down menu allows you to select the NEI to use for the local end of the test. If you select one different from the radio button selection on the previous screen, the new setting will become the default. This test will verify that you can register with the CDPD network and will “ping” the DNS server to verify the connection. The test can be skipped if desired.
13. Click Finish to complete the WirelessExpert configuration. The modem should now be ready for use.

WirelessExpert will have created an entry in Windows Dial-up Networking for CDPD mode. You may notice that it is configured to dial the number 2. This is normal. Although CDPD connections do not actually dial a number, Windows Dial-up Networking *requires* that a telephone number be entered.

3.4. About Watcher

Watcher is a configuration and monitoring tool to manage Sierra Wireless modems. The program can set the modem mode of operation (CDPD, CSC, or Wireline) and can be used to get information about cellular connections and signals. Watcher can also monitor modem connection when using CDPD mode.

WirelessExpert must be run initially to properly install and register the required connectivity components with Windows. If you have not run WirelessExpert on the host PC to be used with the modem it must be done **before** using Watcher.

3.5. Using Watcher for Modem Setup

When Watcher is started, it will check a registry on the PC to see what mode the modem was last used in. If it was CDPD then the program will open a CDPD connection using the settings in the Dial-up Networking facility of Windows which were configured by WirelessExpert. If an SB320 was last used in either CSC or Wireline mode then Watcher will attempt to set the modem to that mode.

To start Watcher:

Select **Start > Programs > Watcher > Watcher** from the Windows taskbar.

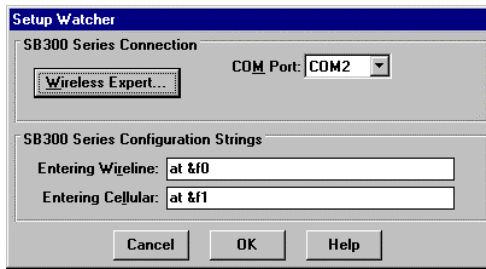
Watcher will locate and initialize the modem. It will then indicate the mode and condition of the connection.

3.5.1. Configuring Watcher

Watcher has a setup dialog that lets you verify the Sierra Wireless modem connection to the COM port, and the basic configuration strings Watcher will use for Circuit Switched Cellular and Wireline operation.

To set up Watcher:

1. Make sure the modem is powered on and is communicating with your PC.
2. Select **Options > Setup Watcher** from the Watcher main menu
This will open the Setup Watcher dialog (next page).



3. Click the **WirelessExpert...** button to activate the installation wizard described above.
4. If specialized setup strings are required for your installation, you can enter them here. The modem uses configuration strings to optimize its operation in certain modes. The modem comes preset with the most common configuration strings. See the specific sections on CSC and Wireline Operations for more information.
CDPD mode does not offer special setups. To control CDPD mode use **Options > Setup CDPD...** described below.
5. Click **OK** to save the configuration and return to the Watcher program window.

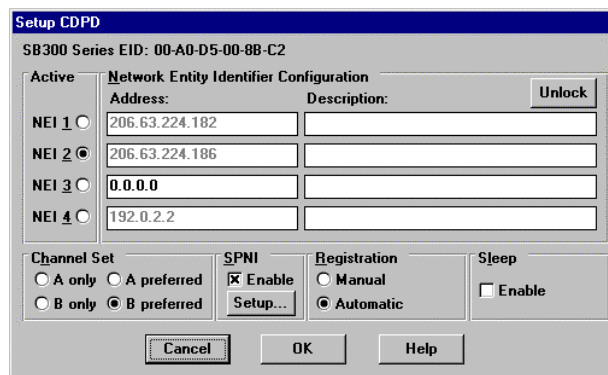
3.5.2. Configuring Cellular Settings using Watcher

Watcher’s ability to manage the cellular activation settings of the modem is set by WirelessExpert. If WirelessExpert has set the access level for Watcher to anything but full access, then Watcher cannot be used to configure the settings.

3.5.2.1. CDPD Settings

To edit the modem configuration with Watcher:

1. Select **Start > Programs > Watcher > Watcher** from the Windows taskbar.
2. If the modem is not in CDPD mode then select **Settings > CDPD** from Watcher’s main menu.
3. Select **Options > Setup CDPD...** from the Watcher main menu.
The following window will open to allow configuration changes:



Note that the modem’s EID is displayed at the top of the window.

4. To change a NEI address you must click the **Unlock** button.
5. The Channel Set is a side preference dictated by your cellular service provider.
6. The SPNI box is used to enable the use of a restrictive list of service providers. When the modem is finding a channel, it can determine if a channel belongs to a provider whose SPNI is on the list. If the SPNI is not listed, then the modem will reject the channel and resume searching. If the list is enabled, use the **Setup...** button to maintain the list of accepted SPNIs.
7. Registration mode allows you to select between manual and automatic registration. If manual is selected, Watcher will not try to register on the CDPD network until commanded to do so. Automatic will set Watcher to register the modem when the program is started.

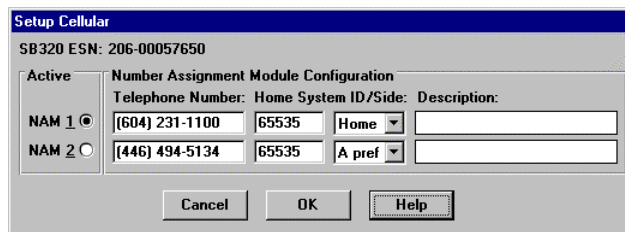
- Sleep mode is discussed in the CDPD Operations chapter, Section . Enabling it will allow the modem to reduce power consumption when it is inactive, but response times will be slowed. This function sets the sleep timer to 30 seconds.

3.5.2.2. CSC Settings

If you are using a SB320, you can place the modem in CSC mode using Watcher. The settings for CSC can then be accessed.

To edit the modem's CSC configuration with Watcher:

- Select **Start > Programs > Watcher > Watcher** from the Windows taskbar.
- If the modem is not in CSC mode then select **Settings > Cellular** from Watcher's main menu.
- Select **Options > Setup Cellular...** from the Watcher main menu.
The following window will open to allow configuration changes:



Note that the modem's ESN is displayed at the top of the window.

- Use a radio button to select the NAM to make active.
- To change a NAM entry you must delete the current value. The entry is formatted automatically and will not allow more characters than will fit the format.
- The Home System ID will have been provided by your cellular carrier.
- Use the pull-down menu to select the Side Preference dictated by your cellular service provider.
- The Description allows you to enter a text label to help you recognize the setting.

3.6. Monitoring CDPD With Watcher

To monitor the state of the modem's CDPD connection, you can leave Watcher running all the time. The connection is established through Windows Dial-up Networking and Watcher is treated as one socket to the connection. Other Internet clients can be used simultaneously.

To monitor a CDPD connection:

- Select **Start > Programs > Watcher > Watcher** – or double-click the Watcher icon. The Watcher program window will open.
- Ensure the modem is registered in CDPD mode.
- Run other applications.

Watcher will receive event information from the modem and update the channel and signal strength indicators (described below) when the modem advises of an event. You can force Watcher to update the display by selecting **Window > Refresh** from the Watcher main menu or pressing **F5** when Watcher is the active window.

3.7. About the Watcher Program Window

The Watcher program window looks like this:



The window can be set to always be on top of other active windows by using the **Window > Always on Top** option in the Watcher main menu. Selecting the option again will disable the feature.

The window can be minimized and the connection monitored by use of the icon shown in the taskbar.

3.7.1. Icon Status

When Watcher is minimized, the shape of the icon shown in the taskbar indicates the current operating mode and service status.



Indicates the modem is registered in CDPD mode.



Indicates the modem is unregistered in CDPD mode.



Indicates the modem is in Circuit Switched Cellular (CSC) mode.



Indicates the modem is in Wireline mode.



Indicates the modem is not responding.

3.7.2. Watcher Menus and Commands

The Watcher program window contains the following menus:

Settings Options Window Help

These are described below.

3.7.2.1. Settings Menu

Any dimmed options are not available on the modem being used.

<u>W</u>ireline	Switches the modem to Wireline mode.
<u>C</u>ellular	Switches the modem to Circuit Switched Cellular (CSC) mode.
<u>C</u>DPD	Switches the modem to CDPD mode.
<u>R</u>egister	Registers the modem on a CDPD network.
<u>S</u>et Radio Channel...	Displays options for setting the radio channel automatically or manually.
<u>D</u>isable <u>T</u>ransmitter	Turns the transmitter off so the modem can only receive data. When selected a checkmark will appear beside it and the status line will indicate the transmitter is disabled. Select the option again to re-enable the transmitter.
<u>E</u>xit	Exits Watcher after gracefully shutting down any active modem connection.

3.7.2.2. Options Menu

Any dimmed options are not available on the modem being used.

<u>S</u>etup <u>W</u>atcher...	Displays the dialog box for configuring the Watcher modem connection and the startup strings for the wireline and CSC modes of operations. See 3.5.1 Configuring Watcher for details.
<u>S</u>etup <u>C</u>ellular...	Displays a dialog box for configuring Circuit Switched Cellular mode. You must be in Wireline or Circuit Switched Cellular mode to select this command. See 3.5.2.2 CSC Settings for details
<u>S</u>etup <u>C</u>DPD...	Displays a dialog box for configuring CDPD mode. You must be in CDPD mode to select this command. See 3.5.2.1 CDPD Settings for details.

3.7.2.3. Window Menu

<u>R</u>efresh	F5	Updates the signal strength, and channel status indicators as appropriate.
<u>A</u>lways On Top		Displays the Watcher program window on top of any currently active application window. When selected a checkmark will appear beside it. Select the option again to disable the feature.

3.7.2.4. Help Menu

Pressing **F1** will open the main Watcher Help window. Other access to help features are:

<u>C</u>ontents...	Displays the main Help topics.
<u>S</u>earch...	Lets you search for keywords in Help.
<u>C</u>urrent...	Opens Watcher Help to a context sensitive page.
<u>W</u>arranty Regisrtaion..	Displays a form for automated product registration via the Internet.
<u>A</u>bout...	Displays important information about the Watcher version; the modem version, EID, hardware and firmware revision, transmitter temperature, and the connectivity drivers.

3.7.3. Toolbar Buttons

The Watcher program window contains three buttons for selecting the operating mode, and one button for registering and de-registering your modem in CDPD mode. These buttons are described below. If a button is dimmed, the option is not available on the current modem.



Click to switch to Wireline mode.



Click to switch to Circuit Switched Cellular mode.



Click to switch to CDPD mode.



Click to register the modem in CDPD mode. When the cables appear joined, the modem is registered.

Click the button again to de-register the modem.

3.7.4. Status Indicators

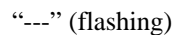


Appears to the left of the Wireline button and indicates that Watcher is actively communicating with the modem in a non-packet mode (Wireline or Circuit Switched Cellular).

Appears to the left of the Wireline button and indicates that Watcher is actively communicating with the modem in a packet mode (CDPD).



Shows the Received Signal Strength Indication (RSSI). Double-click on the gauge to display the value in dBm.



Indicates that the modem is not locked onto a CDPD channel.



Displays the current radio channel.

3.7.5. Updating Status Indicators

The display will refresh automatically when the modem reports an event.

To force an update of the status indicators, select **Window > Refresh** in the main menu or press **F5** when Watcher is the active window. Depending on the operating mode, the status indicators may take a few seconds to update.

3.7.6. Quitting Watcher

To quit Watcher:

1. Click the close box in the top left corner of the Watcher program window.

Watcher may take a moment to close while it gracefully closes a CDPD session and disconnects from the modem.

3.8. Updating Modem Firmware

Should your modem(s) require a firmware upgrade, this section describes the procedure.

See Section 1.3 Currency for information on the current revisions at the time of this writing. That section also describes the method to determine the firmware revision on the modem.

You can acquire updated firmware by contacting Sierra Wireless Technical Support at 604.231.1128 or by e-mail to support@sierrawireless.com. In most cases you will be provided a URL to download the update over the Internet. You may have the option to use a ZIP file (requiring either PKUNZIP ver 2.04g or WINZIP v5.6) or a slightly larger self-extracting executable file. Both of the ZIP utilities are available from links on the Sierra Wireless download page.

To download the update:

1. Create a folder on your PC in which to store the download.
2. Enter the URL provided for the chosen download and save the file in the folder you have created.
3. If the ZIP file was downloaded then Unzip it using your extraction utility.

Before updating make sure you know which COM port your modem is connected to. This information is required by the upgrade utility.

To upgrade the Modem firmware, you can run either:

- SETUP.EXE program in Windows,
- or –
- INSTALL.BAT command file from DOS.

DOS firmware upgrade:

1. If you run the DOS option , EXIT Windows completely.
2. Change Directory to the one with the downloaded firmware.
3. Turn off the modem.
4. Enter **INSTALL <space> d** where d is the COM Port number.

Examples: **INSTALL 1** (installs the firmware using COM 1)

INSTALL 3 (installs the firmware using COM 3)

5. Follow the Install instructions carefully.

Windows firmware upgrade:

1. Close all open applications.
2. Turn off the modem.
3. Run either the self extracting update file (which will expand and execute in one step) or the **SETUP.EXE** file.
4. Select the COM port your modem is connected to.
5. You will be prompted to turn on the modem. When you have done so, the installation program will automatically perform the balance of the update.

Installation provides “thermometers” indicating the progress of the update. These are only a guideline. Do not be surprised if the update completes before the indicators have been updated.

After the upgrade is complete you may delete the download folder or retain it for updating additional modems, as you choose.

There are two elements to the firmware on the modems, bootstrap and application. Not all updates require replacement of both files. If both files do need updating, treat each update separately and perform all steps for each. The boot firmware should be updated first.

4. Basic Modem Operation

4.1. Introduction

This chapter provides some fundamentals to the operation of Sierra Wireless OEM modems and some configuration elements of the host (DTE) to modem communication. Important considerations for wireless connections are covered here but specific techniques for setting up the modem for various remote operations are provided in chapters on each mode of operation.

This chapter covers:

- Important terminology on modem modes and states.
- DTE / DCE communications link.
- Introduction to communication protocols and protocol stacks.
- Introduction to modem-to-modem handshaking and protocols.

4.2. Modem Modes and States

The SB320 modem supports multiple modes of operation and various states within each mode. The other OEM modems only support CDPD mode but the states and conditions apply to them as well.

The commands and registers used depend on the modem's operating mode. The state of the modem and its condition also determine how the modem will behave in any given situation.

Depending on the product, the exact options available can differ. If a mode or state is not available on the product, commands related to those modes and states will return the ERROR result code.

4.2.1. Modes

The SB320 supports all of these modes while the SB30x family are CDPD mode only.

- **Wireline data** – connected to the Public Switched Telephone Network (PSTN) using a cable (usually with RJ-11 connectors). The TIP and RING signals service the wireline connection.
- **Wireline voice** – connected to the PSTN and using the MIC and SPKR signals to convey voice instead of data.
- **Circuit Switched Cellular (CSC) data** – connected to a cellular network using the Advanced Mobile Phone Service (AMPS).
- **Circuit Switched Cellular (CSC) voice** – using the AMPS cellular network to communicate voice instead of data.
- **Cellular Digital Packet Data (CDPD)** – connected to a cellular packet switched data network.

4.2.2. States

The modem's state, in conjunction with its condition, will govern how the modem handles traffic to and from the host and to and from a remote modem.

All non-voice modes support two states:

- **Command** – the modem exchanges data with the host (DTE) as AT commands and replies.
- **Data** – communication is passed between the host and remote terminal as computer data.

Voice modes do not support the data state. Even while off-hook and connected, the modem still communicates with the host computer in command state. Commands can be issued and executed while a voice connection is in progress.

4.2.3. Conditions

In addition to mode and state the modem can be in one of two conditions:

- **On-line** – actively connected to a remote terminal, or with a network session open, or with an active voice call (off-hook).
- **Off-line** – disconnected from any remote terminal, or without an active network session, or with the “phone” on-hook.

While in off-line condition the modem can only be in command state.

In the on-line condition, the modem can be:

- In data state which passes data through the modem between the host (DTE) and the remote terminal or network.
- In command state which exchanges data between the host (DTE) and the modem (DCE) without passing it through the active connection to the remote terminal. Voice mode is always in command state.

4.3. Modem Communications with the Host (DTE)

Communication between the host (DTE) and the Sierra Wireless SB300 Series modems is currently defaulted to:

bps:	19200
Data Bits:	8
Parity:	None
Stop Bits:	1

Any application being used to communicate with the modem and issue AT commands must be configured this way initially.

The settings can be changed for CDPD mode applications by using the **+IPR** (I/O Port Rate) command. Full auto-baud rate support will be provided in a future firmware release.

Flow control is implemented in hardware (RTS / CTS).

4.3.1. Fixed Rate Setting (+IPR)

The modem can be configured to use one specific communication rate when using CDPD mode. The command allows any of the following settings: 300, 600, 1200, 2400, 4800, 9600, 19200, 38400, and 57600.

Data bits, parity, and stop bits remain fixed.

Once the command is issued, the modem will issue an OK at the original rate. The modem will then perform a reset and apply the new setting. The host must convert rates and monitor for the modem's second OK response to establish communication at the rate.

The new setting will be retained and used across all resets and power-cycles until changed by another **+IPR** command.

4.3.2. DTE Communication Options

As shipped the modem is configured with these settings:

- Echo enabled (**E1**): which causes the modem to echo characters received from the host back to it while in command state. The backspace is echoed as <backspace> <space> <backspace>.

- Quiet result codes disabled (**Q0**): which enables the modem to issue result codes following commands.
- Verbose result codes (**V1**): which provides results in English text appended with <CR><LF>.
- SB320 Speaker Control is set to be on until carrier detected (**M1**).

This setting means that a host running a terminal emulation program for communication with the modem should have this configuration:

- Emulation – TTY
- ASCII character

Sending:

- No line ends with line feeds
- No local character echo

Receiving:

- Do not append line feeds to incoming line ends
- Do not force incoming data to 7-bit.
- Wrap lines if necessary

Commands may be entered in upper or lower case.

4.3.3. DTR Signal Handling

The modem can be configured to handle the DTR signal from the host in several ways. The AT command **&D** sets the method. The factory default is to hang up any remote connection and enter command state with auto-answer disabled (**&D2**).

If you experience difficulty entering command state from a data state you may wish to have the modem reset on DTR transition.

The available options are:

&D0 Ignore DTR

&D1 Enter command state without changing on/off-line condition.

&D2 Hang up (close active session) and enter command state with auto-answer disabled.

&D3 Reset immediately (no reply is issued). (This is available on the SB320 only and **not** in CDPD mode.)

4.3.4. DSR Signal Control

The SB300 Series modems will leave the DSR signal active whenever the modem is powered on. There is no control of this signal. This signal is **not** an indication that the modem is ready for use. CTS is activated when the modem has completed its internal initialization and is ready.

4.3.5. Local Flow Control

The modems currently handle only hardware flow control (RTS/CTS). This is the factory default as well. The SB320 in non-CDPD modes also supports the **&K** command to adjust this in future firmware revisions. The options are:

&K0 Disable local flow control

&K3 Use RTS/CTS hardware control

&K4 Use XON/OFF software flow control. Don't use this if these characters can be part of the data stream.

There is also an impact to flow control with the use of the Communication Mode command (**&Q**) available on the SB320 in non-CDPD modes. This command effects the use of internal data buffering at the modem. If buffering is disabled, so is flow control.

4.3.6. Result Code Formats

The modems normally issue result codes on completion of an AT command. This can be disabled with quite mode (**Q1**). The default is to issue results in verbose (English text) form. Numeric codes can be selected by disabling the verbose option (**V0**).

If echo is enabled (**E1**) the modem will append a <LF> to the echoed <CR> from the host. If echo is off, then there is no <CR> or <LF> prior to the response to the command.

Verbose result codes are returned with a trailing <CR><LF>.

Numeric result codes are returned with a trailing <CR> without the line feed.

Where the modem issues a response (data) prior to the result code, the response will have a <CR> and <LF> appended regardless of the echo, quiet, and verbose settings.

A full diagram of the framing characters for both result codes and modem responses is provided in the AT Command Reference (document 2110031) provided with the OEM Developer's Toolkit.



NOTE

Allow the modem a few seconds to respond to some commands. Where mode changes are involved the modem may require several seconds to reconfigure before responding. On power up, following initial internal configuration, the modem will issue the OK result code to the host whether the host is actively receiving or not.

4.4. Communication Protocols and Stacks

Data communication protocols are generally discussed in relation to the Open Systems Interconnection (OSI) model. The OSI model was introduced in 1978 as a long-term project of the International Organization for Standardization (ISO). It divides the communications process into seven distinct layers, stacked one above the other, hence the term protocol stack. This is very different from the computer processing use of the term stack for a LIFO buffer.

Table 4-1: The OSI Model

Layer	Description	Common Protocols
7 – Application	This is the window between the end-user application and the communications process. It includes functions such as login and password checks, and resource allocation.	Application programs for file transfer, e-mail, etc.
6 – Presentation	Responsible for terminal management such as character set interpretation (i.e. ASCII, ANSI) and code conversion.	Telnet, FTP, SMTP, etc.
5 – Session	Session management includes data-flow synchronization, mapping addresses with names, handling graceful and abrupt disconnections, and data buffering. This layer organizes data into Session Protocol Data Units (SPDUs).	
4 – Transport	Transport Protocol Data Units (TPDUs) are assembled at this layer. This can include multiplexing and demultiplexing, error detection and recovery, and packet reordering where the network can receive packets along different routes which can arrive out of sequence.	UDP, TCP

3 – Network	Data is organized into packets which are data frames with network headers and trailers added including network addressing. The duties include flow control, handling network service data units, notifying the transport layer of errors, and possibly sequenced delivery.	IP, SLIP, PPP
2 – Link	This layer arranges the bits into frames. It also establishes and releases one or more link connections.	Network Interface Cards, Modems
1 – Physical	This is the physical connection layer concerned with carrying the communication of digital data.	Transmission Media: Twisted Pair, Fibre Optics, Cellular Radio, etc.

4.4.1. SB300 Series Internal Protocol Stacks

The SB300 Series modems are designed to provide the bottom two layers, Link and Physical. The modem will handle acquiring a telephone line or cellular channel to provide the physical connection.

In CDPD mode, the SB300 Series modems are also capable of supporting the next two layers at the user's option. Both UDP and TCP Packet Assembly/Disassembly (PAD) services are available along with IP and SLIP network support. The modems do not currently support PPP but it will be implemented in a later firmware release.

CSC and Wireline modes require that the host system provide the protocol stack for layers 3 and above if they are needed. Windows Dial-up Networking can provide the TCP/IP stack. Other Windows-based Internet clients can provide the higher layers for file transfer, e-mail, and other services.

4.5. Modem Handshaking (SB320)

For two modems to communicate with each other, it is imperative that they speak the same "language", i.e. they use the same protocol(s). CDPD establishes a single protocol for its communications, but CSC and Wireline modes can use any of several protocols. The following discussion is for users of CSC and Wireline modes on the SB320 modem.

Because of the variety of protocols that are available for modem communications, a modem will usually support several protocols to enable it to connect to a variety of modems. In the process of a modem establishing a connection with another modem, there will be a negotiation phase during which the two modems exchange basic information to determine which protocol(s) shall be used for the present connection.

If the modems can agree on a communication scheme using one or more of their available protocols, they will proceed to establish a connection. At this point, the modems are ready to pass data to their respective DTEs where the application software runs. If the modems fail to agree on a communication scheme due, for instance, to the lack of a common protocol, the connection attempt is aborted and the modems disconnect, or go on hook.

4.5.1. Modem Protocol Layers

The communication protocols used by modems can be divided into three categories or layers as shown in the figure below. Each layer operates independently of the layer above it. A modem connection may be established using one or more of these layers, starting from the lowest layer and including more layers as required by the situation.

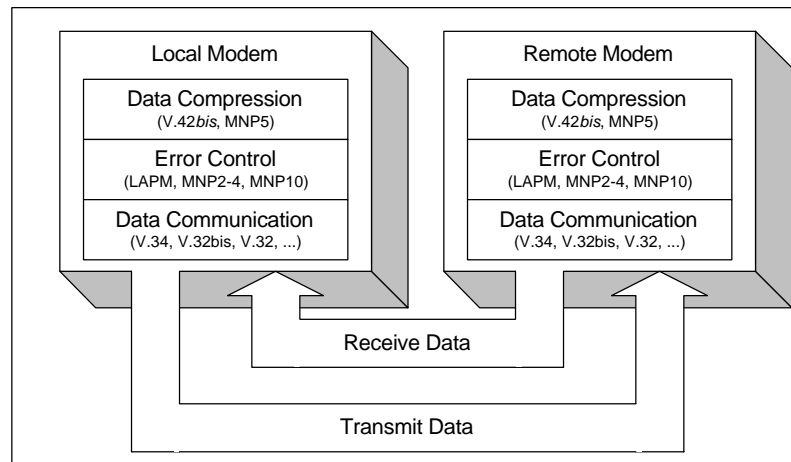


Figure 4-1: Modem Protocol Layers

4.5.1.1. Data Communication

The lowest layer is that which is closest to the hardware and it deals with the modulation scheme used to transmit and receive the raw data that is presented to the layer above.

This layer, which we will call the data communication protocol, has many available standards: V.34, V.32bis, V.32, V.22, etc. It is concerned mainly with establishing the modulation scheme that will give the highest baud rate (bps) on a given physical point-to-point connection.

The more advanced protocols, such as V.34 for example, are smarter in that they are capable of simultaneously supporting different rates on the transmit and receive lines, and allow two modems to exchange information to fine-tune their modulation parameters to optimize performance.

4.5.1.2. Error Control

The next layer is the Error Control Protocol Layer which implements one of a number of error encoding and detection schemes on outgoing and incoming data frames respectively.

By appending extra encoding bits to outgoing data packets, it allows the receiving modem using the same Error Control protocol to check whether the data has been corrupted during transmission and demodulation by the lower layer. Similarly, it processes data frames received from the other modem by using the appended encoding information to check for corrupted data.

In addition to error coding and detection, this layer also takes care of the retransmission of corrupted packets to ensure that data delivered to the layer above it is error free.

This layer is also provided in several standards: LAPM, MNP2 through 4, MNP10, etc.

4.5.1.3. Data Compression

The third layer is the Data Compression and Decompression Protocol. On outgoing data, this layer effectively reduces (or compresses) the number of bits coming from the application layer above it to a smaller number of bits without losing any information. The receiving modem then decompresses this data and reconstructs it to its original form.

Considering that the slowest link between two modems is always the wireline or cellular link, this scheme reduces the amount of data flowing on that link and consequently increases the overall data throughput.

This layer is implemented by a variety of protocols, two of the most widely used ones being V.42bis and MNP5.

4.5.2. CSC vs. Wireline

Older modem protocols, such as V.32 and earlier, were developed and optimized for PSTN wireline networks. However, with the advent of cellular phone networks, and the need for wireless modems to operate within these networks, it became apparent that some adjustments had to be made to the existing protocols to enable them to achieve performance similar to their wireline counterparts.

4.5.2.1. Enhanced Throughput Cellular (ETC[®])

ETC was developed by Paradyne Corporation to bring cellular link performance up to wireline levels. Although it does not exist as a layer of its own, it interacts with various layers by adjusting some of their critical parameters to compensate for network differences. It uses a number of techniques to improve the robustness of the data link.

At the lowest layer, ETC adjusts the filter characteristics that modulate and demodulate the carrier signal to compensate for differences between PSTN and cellular networks. At the Error Correction layer, it enforces the use of small data packets so that retransmissions are short in the event of data corruption, which will be more frequent in a wireless environment.

Because ETC does not exist as a separate layer in the stack shown above, but instead makes use of existing protocols, it is possible for an ETC-enabled modem to communicate with a non-ETC modem. Although it is preferred that both sides of the modem link support ETC, one of the attributes is that even if only one side supports ETC, significant benefits will be gained.

Also, due to the nature of ETC making use of existing protocols, ETC imposes certain constraints on which protocols must be present at both ends for a connection to be established. The required protocols are **LAPM** for Error Correction and **V.42bis** for Data Compression. Without these on the receiving modem, the ETC modem will not be able to negotiate a connection and will disconnect; irrespective of what other protocols the modems may have in common.

ETC includes the following specific settings to improve immunity to the interference and noise effects mentioned earlier.

- Small frame size
- Do not allow non error-corrected links,
- Wait for carrier 90 seconds
- Lost carrier hang-up set to 10 seconds

Use of small frame size does reduce direct throughput by 10%, but gives a more robust connection.

The policy of “start slow and train up” guarantees that the initial negotiation phase has more chance of success. Start-up speeds of 4800 bps and 9600 bps may be used. In addition if a connection has not been established after 60 seconds, the modems will fall back to 1200 bps.

Even with all this it is best to limit the maximum DCE speed.

4.5.2.2. Modulation

High speed modem protocols such as V.34 and V.32 use a technique known as Quadrature Amplitude Modulation (QAM). QAM operates by modulating a carrier sine wave signal in both amplitude and phase. Each unique combination of amplitude and phase is known as a ‘symbol’ and, therefore, each symbol represents a number. If there are 8 symbols (i.e. 8 unique combinations of amplitude and phase), then each symbol corresponds to a unique 3-bit number (0b000 to 0b111). On the receive side, the reverse process of demodulation is performed on that modulated carrier signal and the symbols or bits of information are retrieved.

The key to achieving high speed on a modem is to use as many symbols as possible so that more bits can be encoded in them. The number of symbols that can be used is determined by the receiving modem’s ability to resolve or distinguish between these various symbols.

The more symbols there are, the more difficult it becomes for the modem to resolve them. This is because there is always a certain amount of noise on the link which causes the symbols to appear

“fuzzy” on the receive side. The receiver can mistake one symbol for another. This is where the protocol speed training algorithm comes into play. It is constantly measuring the amount of noise on the line and based on that measurement will select a speed where it knows it will be able to resolve symbols reliably. In other words, the modem speed is a function of noise level.

Note that “noise” here is not just noise in the traditional sense of the word, such as white noise, crackle, etc. It also includes distortions of the carrier signal caused by the various filtering stages present between the two modems, starting at the transmitting modem itself, all the way through the cellular network, the PSTN network, and finally the receiving modem.

Because cellular networks optimize their system for voice, additional distortions are created which result in a higher noise figure and hence lower speed. ETC attempts to counteract these cellular network distortions at both the transmit and receive ends.

The smarter protocols such as V.34 implement adaptive filtering techniques where the filter characteristics are constantly adjusted to produce the lowest noise figure on both the transmit and receive channels. V.32*bis* and lower speed protocols are not as sophisticated in that they will not adapt to any situation. This is why a V.34 modem will achieve higher speeds than a V.32 modem in a given environment.

The SB320 modem is capable of establishing both ETC and non-ETC connections while in CSC data mode. The fastest protocol supported by the SB320 is **V.34**. This means that the highest speed theoretically achievable with this modem is **33600** bps. However, this occurs under ideal conditions as found typically in a PSTN wireline environment. In a cellular network, experience shows that it is quite rare for such speeds to be achieved. Instead, speeds of up to 19200 bps are more typical, depending on the characteristics of both the cellular and the PSTN sections of the link between two modems. Common connection rates are 9600 and 12800 bps.

The table below shows the fall back speeds from V.34 to V.22 as supported by the SB320 modem. When ETC is enabled on the SB320 using the “super” AT command **AT&F5** (described in the CSC Operations section), the maximum speed of the modem is limited to the DTE speed (set at 19200 bps).

Protocols	Speed (bps)
V.34	4800 – 33600
V.32 <i>bis</i>	12000 – 14400
V.32	4800 – 9600
V.22 <i>bis</i>	2400
V22	600 – 1200

4.5.2.3. Configuration Issues

Using an SB320 in Wireline or CSC modes requires careful use of the AT commands that tune the various elements controlling the modem handshaking process. Optimizing for Wireline and CSC modes requires different settings. Where one mode is improved with a particular profile or settings, the other can be impaired by the same profile.

The specific sections on CSC and Wireline Operations (Chapters 6 and 7 respectively) give a description of some of the key AT commands and S-registers associated with performance so that the user can modify the modem configuration from its default settings **if necessary**.

We highly recommend reading the *Primer on CSC Data Communications* (Document 2110128) for more detailed information. This is available from our web site at www.sierrawireless.com.

5. CDPD Operation

This section provides information on configuring and using the modem in CDPD mode if you are not using Watcher and Windows Dial-up Networking for your connections. If you are using a standard Windows-based application then consult Section 3.3 Configuration using WirelessExpert.

5.1. Cellular Digital Packet Data (CDPD) Introduction

CDPD is a wireless radio frequency (RF) packet switched data communications service which provides two-way, fully digital, 19.2 kbps packet data networking services to mobile hosts. All data is exchanged with the network in the form of IP packets (TCP or UDP). It is simply a wireless extension of traditional networks, providing the user with seamless access to data applications on these networks.

Instead of using a dedicated cellular channel or telephone line to transmit data, CDPD devices, like the Sierra Wireless modem, are able to send data over cellular voice channels (the **airlink**) during the time periods when these radio channels are not used for standard cellular voice communications. When a channel becomes overloaded or used by a cellular voice call, the CDPD devices “hop” to an unused or idle channel. Since this initial design implementation, many areas now dedicate specific channels to only CDPD traffic.

With multiple mobile devices sharing the cellular channel, data transfer rates can vary depending on channel loading. Maximum data rates in the order of 1000 characters per second (10 kbps) are achievable only under lightly loaded ideal conditions.

The cellular radio channel is only used when actual data is being sent or received and not when the user application is idle. This contrasts with CSC mode which “owns” the connection channel as long as the connection is open. CSC consumes the cellular resource even when the application is not actively communicating.

CDPD provides the following airlink support:

- Compression of packet header and information fields transmitted over the wireless channel to reduce the amount of the airlink resource used.
- Support of many users on the same cellular RF channel at the same time.
- Error correction of data sent over the airlink.
- Movement of the user from one cell site to another.
- Delivery of properly sequenced data between user applications over the airlink.

The CDPD network operates as a collection of CDPD service provider networks, with the service provider networks being operated by cellular carriers who provide services such as:

- Data connection to other networks
- Application services
- Network management
- Network security
- Accounting and billing

5.1.1. Security

With data exchanged over a broadcast radio link, security is required to prevent eavesdropping. Airlink security is automatically provided by encrypting the data packets between the SB300 Series modem and the service provider’s Mobile Data Intermediate System (where the radio signal is routed to a wireline public or private data network). If end-to-end data security is desired it must be implemented or otherwise provided by the end-user.

5.1.2. Architecture

The major cellular carriers and equipment manufacturers created a trade group called the Wireless Data Forum (formerly the CDPD Forum), that develops and publishes the governing technical specifications for, and promotes the use of CDPD technology.

The CDPD network provides a Connectionless Network Service (CLNS), one in which the network routes each packet individually within the network based on the destination address carried in the packet and knowledge of the current network topology. It is often referred to as a datagram service. From the user's point of view, only the destination address is known, since the CDPD network manages the packet routing required to reach the destination.

5.1.3. Modem Registration

5.1.3.1. The Network Entity Identifier (NEI)

Each user on the CDPD network is identified by a distinct Network Entity Identifier (NEI) which is used by the CDPD network to route messages to the user. This is like an account on the network.

Each NEI has a single home subdomain, where it is normally expected to be located within the network. For example, a user's home may be Las Vegas. Each modem may support more than one NEI, each of which has a home subdomain, which may or may not be the same.

For example, you may wish to have three NEIs for the same modem; with these NEIs having home subdomains in Las Vegas, New York, and Dallas (cities to which you travel regularly). You may want to use the NEI corresponding to the city you are currently in. Alternatively, you may want to support two separate NEIs that have the same subdomain, such as one for business use and the other for personal use.

You may travel from a subdomain registered as the home area to a new serving area. The mobility management functions provided within the CDPD network handles the routing of packets for visiting modems in a manner that is transparent to you. If you have pre-arranged with your service provider, you may obtain service in a serving area supported by another service provider.

The NEI used in the Sierra Wireless modem is the address assigned to the subscriber by the CDPD network service provider. IP Addresses are 32-bit numbers that uniquely identify a given machine (or end system) running the TCP/IP protocol suite. You need to have a unique address before you can link in with the rest of the networked world.

The NEI for the Sierra Wireless modem may be installed using the WirelessExpert application provided with the modem. Up to four unique NEIs can be supported in the Sierra Wireless modem. The CDPD service provider will have a unique Service Provider Network Identifier (SPNI). The CDPD service provider must supply the SPNI in numeric format to the CDPD subscriber if you wish to restrict the modem to using that provider. The WirelessExpert application can be used to enter SPNIs into a table of accepted providers.

5.1.3.2. Equipment Identifier (EID)

One parameter that the CDPD service providers require from the CDPD subscriber registering their modem is the Equipment Identifier (EID). The EID is unique to each modem. Essentially, it represents a unique electronic serial number for the subscriber device. No two devices in CDPD can have the same EID.

The format used in representing this 48-bit EID is hex bytes separated by hyphens (e.g., 00-A0-D5-00-00-7B). This is programmed into each Sierra Wireless modem at the factory, and the subscriber can view the EID at any time using the Watcher or WirelessExpert applications supplied with the modem, or the AT command **AT+WPEID**.

When a user initially signs up for service with a CDPD service provider, they will be required to provide the service provider with the EID. This EID then becomes part of the CDPD Subscriber

Directory Profile maintained for each subscriber on that CDPD network by the CDPD service provider.

5.1.3.3. Authentication

Each NEI (network account) is mated to an EID (modem device). One NEI cannot be used with different devices (EIDs). One device (EID) can have more than one associated NEI (account).

One of the functions performed by the CDPD network is NEI authentication and verification. This service provides corroboration to ensure that the source of the data received from a user is as claimed and not from a cloned CDPD subscriber device. In other words, only the authorized owner of the NEI (the modem) is using the NEI. *As a result of this authentication procedure, once a user has registered an NEI and a modem, they cannot use that NEI for data communication over the CDPD network on a new or different modem.*

If you replace or change modems, you must contact your service provider to reset your network credentials before you can use the new modem.

5.1.4. CDPD Radio Coverage

The subscriber should obtain information from the service provider about what CDPD service coverage is available in the required areas.

In most cases, the subscriber will not be aware of the quality of service provided over the CDPD airlink. Watcher does provide a feature that gives the user an indication of the airlink quality for their Sierra Wireless modem. This quality metric is based on the strength of the signal that is being received by the modem.

Received Signal Strength Indication (RSSI) is a measure of the strength of the RF signal received by the modem. It is expressed either by an analogue thermometer or a logarithmic scale, in decibels relative to one milliWatt (dBm). A strong signal level has a less negative number (i.e., -60 dBm) and a weak signal level has a more negative number (i.e., -100 dBm). Connections are lost for signals below -113 dBm.

The CDPD service provider attempts to ensure that the signal level is fairly strong throughout the coverage area (i.e., -80 dBm or stronger), but due to shielding of the signal by man-made structures, the signal may be less than this desired value.

Examples of locations where a signal could be weaker than desired is in underground parking garages, tunnels, buildings with all metal construction, old concrete buildings with large amounts of steel reinforcing bars, etc. In such cases, the CDPD subscriber may be able to get a stronger signal by locating the antenna near an opening or window. The effect of this repositioning on the RSSI can be observed in the signal strength window of the Watcher application.

5.1.5. CDPD and the SB300 Series Modems

The role of the Sierra Wireless modem in CDPD mode is:

6. Accept commands and digital data from the end-user application equipment (DTE) through the serial connection.
7. Assemble the data into packets.
8. Encrypt the packets.
9. Transmit the encrypted data packet to the network.
10. Receive packet data from the network.
11. Decrypt the packets.
12. Disassemble the packets to extract the application data.
13. Pass the serial data to the end-user's application equipment.

Note that the built-in encryption is for the airlink only (between the modem and the cellular service base station). If end-to-end data security is desired it must be implemented or otherwise provided by the end-user.

The extent to which the packet data is assembled and disassembled by the modem is determined by setting the CDPD packet service mode to use SLIP, UDP, or TCP. Use of these protocols is discussed later in this section.

5.2. Configuring NEI Entries

In order for the modem to register on a CDPD network it must have a unique Network Entity Identifier (NEI). This is an Internet Protocol (IP) address assigned by your CDPD network service provider. Section 2.2.1 CDPD Registration contains information on activating this service.

The service provider must assign you an NEI and channel side preference. They should also provide their Service Provider Network Identifier (SPNI) number. To do this, the service provider will need to know the Equipment Identifier (EID) of the modem, which can be reported by the modem by issuing the **+WPEID** command.

This information is recorded within the modem either by using the WirelessExpert configuration program or through direct entry using AT commands. To use WirelessExpert please consult Section 3.3.

If you need to access web sites on the Internet, a Domain Name Server (DNS) address is also required. The modem does not manage this layer of the Internet connection but WirelessExpert will record the DNS address in the Windows networking facility for use at the application level.

5.2.1. NEI Table

The modem can store up to four NEIs. One of these is the active NEI entry. The active entry is the one on which most NEI related commands act. It can be different from the auto-register NEI or a currently registered NEI. The active NEI is indicated by an index pointer stored in register **+WS197**.

Although it is recommended, it is not necessary to de-register from the CDPD network before making changes to the table. If you alter the NEI entry that is currently registered, the modem will de-register the old value. If auto-register is enabled, the modem will then attempt to register the new one.



NOTE

CDPD credentials are directly associated to the table entries. You cannot re-arrange the NEIs in the table without resetting credentials with your cellular service provider.

5.2.1.1. NEI Configuration With AT Commands

To store the NEI and related CDPD activation parameters using AT Commands enter the following commands (the AT is omitted for brevity):

1. **+WPNEILIST** to display the NEI table and indicate if one is registered. The auto-register NEI is indicated with an asterisk (*) but the active NEI is not indicated.
2. **+WS197=n** where **n** is the entry you wish to edit (1 through 4). This will make it the active NEI.
3. **+WPNEI=ip** where **ip** is the NEI address to assign. You do not need leading 0s in the individual elements of the address. When you press <enter> the modem will respond with a prompt to confirm the change in the table. The old and new values are both shown.
 - Press **Y** (case insensitive) to confirm the change, or
 - Press **N** (or any key other than Y) to cancel the command.
 The modem will respond with OK if the NEI is in a valid IP form.

4. **+WPNEILIST** to display the list and verify the new entry.
5. **+WS174=n** where **n** indicates the channel side preference. Values are:
 - 0 – A side preferred,
 - 1 – B side preferred,
 - 2 – A side only,
 - 3 – B side only.

**NOTE**

*The channel side preference is stored in a register not associated with a particular entry in the NEI table. The preference will be used for **all** NEI registrations.*

5.2.2. SPNI Matching

If you want to restrict the modem to only using channels belonging to a particular list of service providers you can enter a table of SPNI values. When the modem is finding a channel, it will check the SPNI of each channel against entries in this table. If there is no match, the modem will reject the channel and continue searching.

If the table is empty, the SPNI matching feature is disabled.

**NOTE**

*If you set SPNI matching and also use **+WPCHAN** to assign a channel manually, the assigned channel will not lock if the SPNI fails to match. The modem will not be able to register because it will not look for another channel if you have manually set a channel. The status of channel lock can be checked using **+WPRSSI**.*

5.2.2.1. SPNI Table Configuration

To manage the use of SPNI matching using AT Commands enter the following commands (the AT is omitted for brevity):

Read the Current SPNI Table

1. **+WPSPNI?** Displays the SPNI Table. If the table is empty then SPNI matching is disabled. If there is at least one entry then SPNI matching is enabled.

Disable SPNI Matching

1. **+WPSPNI=** By not entering parameters, the table will be erased. An empty table disables SPNI matching.

Enable SPNI Matching

1. **+WPSPNI=n[,n[,...n]]** where **n** is a SPNI value and multiple values are separated by commas. The list of parameters provided will replace any previous table. You cannot append entries to an existing table. You may enter up to 10 values in the table. By entering one or more SPNI values, the SPNI matching feature is automatically enabled.

5.3. CDPD Network Registration

Note that network registration must be performed before communication across the network can begin. Registering on the network is distinct from opening a session. Registration simply confirms a connection to the network as a whole and authenticates your modem's credentials. Data Carrier Detect (DCD) is tied to sessions not network registration. A session does not begin until you originate a session (client) or answer one (server).

The modem can be set to register manually (on command) or automatically when it enters CDPD mode. The NEI address used for registration is determined differently for each method.

The mode of registration is set in register **+WS173** (Registration Mode). A value of **0** indicates manual registration and **1** indicates automatic. The modem is shipped with a value of 1 but the modem will always default to the last method used. Restoring settings with **&F** (factory) or **Z** (user profile) will **NOT** restore a setting to this register.

For WirelessExpert to work, the modem must be set to automatic registration.

5.3.1. Active and Auto-register NEI Indices

The modem keeps two separate index entries to the NEI table. These indices have an intricate inter-relationship that you should understand.

Auto-registration uses the index at **+WS176** (Auto-register NEI Index). Manual registration and manipulation of the NEI table are based on an index at **+WS197** (Active NEI Index).

When the modem registers an NEI, the index of the NEI used (manually or automatically) will be stored in the Auto-register NEI Index (+WS176). This means that auto-registration will always use the last registered NEI unless the Auto-register NEI Index is changed while the modem is de-registered in manual (**+WS173=0**) mode.

Changing the setting in the Auto-register NEI Index while the modem is registered causes the modem to de-register the old NEI address. This happens in both manual and auto-register modes. If the modem is set to auto-register (**+WS173=1**) then the modem will go on to attempt to register the new NEI.

Register **+WS197** (Active NEI Index) is quite independent of any currently registered NEI and can be changed freely. This allows access to other table entries while registered without affecting the registration status.

The manual registration command (**+WPREG**) will use the Active NEI Index (+WS197) as the address to register. It will also store the value of the Active NEI Index (+WS197) into the Auto-register NEI Index (+WS176) so that it becomes the default address for future auto-registration. This copying of the index takes place even if the manual registration fails.

In summary, the Auto-register NEI Index value *will follow* the Active NEI Index value if there is an attempt to register manually. The Active NEI Index can change freely and is *not influenced* by changes in the Auto-register NEI Index.

5.3.2. Manual Registration

When the modem is set for manual registration (**+WS173=0**) it will not attempt to locate a CDPD channel until commanded to register (**+WPREG**) or the command to set a channel (**+WPCHAN**) is set to **0** (automatic selection). You may select a channel first if desired. If you do not assign a channel, or if you force automatic channel selection by setting **+WPCHAN=0**, the modem will scan for one when the registration command is issued.

5.3.2.1. Select a Channel

If you assign a channel, the modem will use that channel for registration attempts. If registration fails on the assigned channel NO automatic attempts are made to locate another channel.



NOTE

*If you set SPNI matching and also use **+WPCHAN** to assign a channel manually, the assigned channel will not lock if the SPNI fails to match. The modem will not be able to register because it will not look for another channel if you have manually set a channel. The status of channel lock can be checked using **+WPRSSI**.*

Assign a Channel

To assign a channel for use by the modem issue the AT command **+WPCHAN=n** where **n** is the channel number to assign. The modem will go to that channel. Subsequent use of **+WPRSSI** will report the strength of signal and if the channel has been acquired (locked).

Changing the channel assignment while the modem is registered will not change the registration status. The modem may lose connectivity if the new channel does not present sufficient signal or fails to meet other requirements such as SPNI matching.

Where the cellular carrier forces CDPD channel hopping (part of the CDPD specification) the modem will follow the hops regardless of the user assigned channel.

Auto-locate a Channel

To have the modem locate a channel, issue the AT command **+WPCHAN=0**. The modem will then scan for a channel when requested to register (or auto-register). RSSI requests will reflect the status of the channel found. The channel number will also be available by querying register **+WS200** (Current Channel Number).

5.3.2.2. Register Manually

To register an NEI manually:

1. **+WS197=n** where **n** is the index to the NEI you wish to register.
2. **+WPREG** to register the NEI. If the NEI is already currently registered the modem takes no action and returns the registration result code. Otherwise, the modem will:
 - De-register any currently registered NEI
 - Locate a channel if necessary
 - Attempt to register the NEI and authenticate credentials

The modem will terminate the process on one of three conditions:

- **Success** – The modem will report the Registered result code.
- **Failure** – The CDPD network failed to register the NEI for reasons given in the result code (i.e. `INSUFFICIENT_CREDENTIALS`).
- **Time-out** – The register **+WS198** (Registration Wait Time) allows settings from 1 to 255 seconds (default 30) for the registration process. If this time elapses without successful registration the modem will return the Timeout Expired result code.

5.3.3. Automatic Registration

The modem can be set to register the NEI indexed by **+WS176** (Auto-register NEI Index) automatically. Register **+WS173** (Registration Mode) controls this feature. When this register is set to **1** the modem will immediately attempt to register and will subsequently attempt to register automatically on entry to CDPD mode (startup on CDPD only modems).

Automatic registration will retry indefinitely should attempts fail.

Setting the Registration Mode to **0** will de-register the current NEI if it successfully auto-registered earlier.

5.3.4. De-registration

The modem will de-register on any of several events.

If the modem is in manual registration mode it will de-register if:

- The De-register command (**+WPDEREG**) is issued for the registered NEI. Note that this command will reference the NEI indexed by register **+WS197** (Active NEI Index). It is possible that this register has been changed (by command) after an NEI was registered and no longer points to the registered entry; in which case, the registered NEI remains registered and no action is taken by the modem. The Active NEI Index must point to the registered address for this command to work.
- The registered NEI is overwritten with a new value using **+WPNEI=ip**.

If the modem is in automatic registration mode it will de-register if:

- The registration method is changed to manual (**+WS173=0**).
- The value of the Auto-register NEI Index (**+WS176**) is changed.
- The registered NEI is overwritten with a new value using **+WPNEI=ip**.

5.4. Monitoring the Network Connection

Prior to finding a channel, many query items will return 0. Once locked onto a CDPD channel, the modem can provide several pieces of information about the connection. Additional information is available regarding the registration of the modem.

5.4.1. Radio Signal Monitors

5.4.1.1. Signal Strength

There are two primary monitors of signal strength.

A “percentage” value can be read from register **+WS50** (Normalized Signal Strength). It reports a value from 0 to 100 where 0 is imperceptible and 100 is full signal.

The Receive Signal Strength Indication (RSSI) is more informative. It is read with the RSSI and Channel State command (**+WPRSSI**). It reports:

- Signal strength in dBm (-113 to -30),
- State of the channel (1 - Scanning, 3 - Acquired, 4 - Sleeping),
- Registration Status (0 no, 1 yes)
- Channel number (0 if scanning)

Note that the registration status reported here is that of the Active NEI Index (**+WS197**) which may point to a NEI other than one that is in fact registered. Consult register **+WS56** to check the registration status of the modem.

5.4.1.2. Current Channel

The channel number is available from register **+WS200**. A value of 0 indicates the modem has not acquired a channel.

5.4.1.3. SPNI of the Connected Carrier

When the modem has locked onto a channel (whether registered or not) the Service Provider Network Identifier (SPNI) for that channel can be read with the command **+WCID**.

5.4.1.4. Cell Number

Although not important in most circumstances, the number of the current CDPD base station is available from register **+WS210**.

5.4.2. Registration Status

The status of the modem’s registration can be read at register **+WS56** (Network Registration Status). A value of 1 indicates the modem is registered. A value of 0 indicates that it is not registered.

5.4.2.1. Registration Mode

The current setting of auto-registration is found in register **+WS173**. A value of 1 indicates automatic registration is enabled, 0 indicates manual registration mode.

Note that it is possible to read a value of 1 indicating auto-registration is enabled while, in fact, the modem is not registered and is not attempting to register. It is possible to detect situations where this has happened by also reading the Registration Result Code (**+WS201**). If the result code is 254 – Unregistered by user – then the modem will not automatically attempt to register.

This situation arises when one of these events occur:

- Manually commanded to de-register (**+WPDEREG**).
- Manually commanded to hang-up and de-register (**H1**).
- \SHDN input signal has been activated.

Manual registration can still be used while auto-registration is inactive, unless the \SHDN signal remains active (low).

The modem will resume auto-registration attempts when one of these events occur:

- Modem reset (soft or hard) or power-cycle
- Command to force auto-registration to enabled state (**+WS173=1**)
- CDPD mode is re-entered (on the SB320 only)

5.4.3. PING

PING is a utility to test connections across an IP network. PINGs are packets of data with special flags in the header which advise the protocol stack at the receiving end to echo the packet back. The sender typically times the duration from transmission to echo receipt to determine the speed of the network link. The application at the receiving end of a PING has no knowledge of the transaction. It handled within Layer 3 of the protocol stack.

When the modem is registered, you can issue PINGs to the modem and it should reply. If you are using a SLIP connection, the stack on the host will be responsible for replies to PINGs. If you use either the UDP or TCP packet services in the SB300 Series modem, then the modem will handle the PING without the host's knowledge.

5.4.3.1. Obtaining a PING from the Modem

A detailed discussion of this process follows the outline of steps to test the modem's reply to a PING. (AT is omitted for brevity):

1. **+WS46=4** to place the modem in CDPD mode (only required on the SB320).
2. **+WS45=0** or **1** to select UDP or TCP packet service.
3. Optionally assign a channel with **+WPCHAN=n** where **n** is the channel to use.
4. Optionally verify the channel acquisition with **+WPRSSI** looking for the second value in the return string to be 3.

If the modem is using auto-registration (**+WS173=1**) skip to step 7.

5. **+WS197=n** where **n** is the index (1-4) of the NEI to register, to select the NEI
6. **+WPREG** to register on the CDPD network. The modem will reply as noted in the section above on manual registration.
7. **+WS56?** to query the registration status. Repeat this command until it returns a value of 1 (registered) or until the host chooses to timeout, failing the connection.
8. Using a network-connected PC, open a MS-DOS Prompt window.
9. At the MS-DOS command line enter:
PING <ip> where <ip> is the address of the modem. Do not use leading zeros in the IP address components (there is a bug in the PC service).
The modem should reply and the PC will indicate the echo time. Four PINGs are issued by this command option.

If the requests timeout without success, try allowing a longer wait time by adding the parameter **-w 2000**. That will allow 2 seconds (2000 ms) for the echo before the PC will time out the attempt. For a full list of PING command options, enter the command **PING** without parameters.

5.5. Sleep Mode

CDPD provides a facility to allow modems to go to “sleep” when they do not have active traffic with the network. This allows the modems to shut down hardware to reduce power consumption.

When the modem is waiting for data from either the host or the network, it does not need to keep all hardware systems running. The modem can negotiate with the CDPD network to have the network send a periodic message advising if there is pending traffic. Between these messages, the modem can be programmed to shut down the receiver (go to sleep). The modem will wake up at the predetermined intervals to check the network for incoming traffic. If there is no pending traffic, then the receiver can go back to sleep until the next scheduled notification message.

The SB300 Series modems can use this feature and have added an additional feature called “logic sleep” and “logic deep sleep” to further reduce power consumption. Each of these sleep modes is described below.

5.5.1. CDPD Sleep

This is what is meant by the general term “sleep” mode. CDPD sleep is controlled by setting register **+WS175** (CDPD Sleep Idle Time).

Setting the register to **0** (zero) will disable sleep mode. The modem will keep the receiver active for immediate handling of any incoming traffic from the network or host.

Sleep is enabled by setting the register to the time in seconds, from 10 to 3600 (1 hour), during which the modem must not have network traffic. Provided there is no traffic to or from the network during that interval, the modem will begin using CDPD sleep.



NOTE

*For CDPD sleep to engage, the modem must have negotiated with the network to allow its use. This means that the setting of the enabling register (**+WS175**) must have been done **prior** to network registration. If the modem has already registered with the network, changing the setting of the CDPD Sleep Idle Time will have no effect until the modem is de-registered and re-registered.*

The CDPD network advises the modem of the time interval between periodic notification messages. This is typically 60 to 90 seconds. You should verify with your carrier what interval is used.

Once sleep mode is engaged, the modem logic will turn off the radio receiver. It will turn on the receiver at the intervals prescribed by the network to check for traffic. If there is traffic, the modem will then receive it. Should the network require a CDPD channel hop while the modem is sleeping, the modem will have to scan for the new channel when it wakes for the next periodic check. This is handled automatically.

The disadvantage to sleep mode is that traffic from the network will have to wait up to a maximum of one interval for the next notification cycle before the modem can receive it. This delay in responding can be too great for some time critical applications. This delay also applies to “ping” packets sent to a sleeping modem.

While sleeping, the modem logic is still active and ready to receive data from the host at any time. The modem will immediately wake up the radio for host generated traffic going out to the network. There is no delay in sending messages, only in receiving network packets.

5.5.2. Logic Sleep

In addition to switching off the radio for CDPD sleep, the modem can be placed in a logic sleep mode. This further reduces the power consumption of the modem. Logic sleep will not engage unless CDPD sleep is already engaged.

If logic sleep is enabled (**S31** > 0), it will automatically engage on the next CDPD sleep mode interval. Logic sleep continues until data or an AT command is received from the host, or the modem must perform the periodic CDPD sleep mode check. After performing the periodic network check, and provided there is no pending AT command or traffic from the host, the modem will resume both CDPD and logic sleep.

The modem can use logic sleep while in auto-answer mode. The modem logic must wake-up periodically as part of the CDPD sleep operation to check the network for messages. Incoming data from the network amounts to a RING when auto-answer is enabled, so the modem logic will be awake to receive messages.

This feature is controlled with register **S31** (Logic Sleep). Setting the register to **0** (zero) will disable logic sleep. Setting it to **1** will enable normal logic sleep. In this condition the modem will reduce power until the host sends a command or CDPD sleep operation requires activity. It will wake as soon as a character arrives from the host, or automatically as needed to make periodic network checks for traffic.

Logic Deep Sleep

Setting the Logic Sleep register to **2** will enable deep-sleep. This will cause the modem to shut down even more hardware, conserving even more power. The disadvantage to this is that the modem will lose the first incoming character(s) from the host (DTE). In fact, the modem will take 80 milliseconds, from the start of the first incoming character, to wake up. The host should send a “dummy” character first, which the modem will lose, and then wait the 80ms delay before sending the complete command or data string. Automatic wake-ups to check the network will still occur so no incoming network traffic is lost.

5.6. Friends Only

Friends Only is a feature available when either the UDP or TCP PAD is enabled in a server session, but is not used with the SLIP protocol.

Friends Only permits reception of packets to be restricted (for security reasons) to a predefined group of IP addresses (friends). Friends Only mode is controlled by entering IP addresses in a Friend Only table. If the table is not empty, the feature is enabled and the comparison of packet source addresses against the list stored in the modem will be made.

This subject is discussed in further detail in both the UDP and TCP packet services sections below.

5.7. Dial Directory

A supplemental application of the Friends Only list is to “quick dial” client sessions to addresses on the list. The list supports the entry of a port number along with each IP. The port number is ignored by server sessions when testing incoming packets but is used for quick dialling.

The Dial command (**D**) supports use of a digit parameter (1 – 10) in place of an explicit IP and port. The number is the index to an entry in the Friends Only list. Provided the entry contains a valid IP and port, the modem will dial that destination to connect a client session.

5.8. Packet Services

SB300 Series modems support three connection protocols in CDPD:

- SLIP
- UDP PAD
- TCP PAD

PPP service is not yet implemented but will be included in a future firmware release.

The modem's packet service is set in register **+WS45** (Packet Service). This setting can be made before or after registration on the network. It should not be changed once the modem starts a session (is on-line). If a change to packet service is required, the user must close the current session (go off-line), change the setting, and then establish a new session.

Use of each of the services is described in sub-sections below. For more on protocols generally see Section 4.4 above.

5.8.1. Serial Line Interface Protocol (SLIP)

SLIP is one method for encapsulating packet data over dedicated and/or switched serial lines. It is a useful and reliable way to allow mixes of hosts and routers to communicate with one another in various combinations.

When operating in SLIP mode, the modem's internal Packet Assembly / Disassembly (PAD) services are bypassed and the modem acts as a router passing data between the host's protocol stack, and the CDPD network. All protocol headers are the responsibility of the host as is the SLIP framing to the packets. The modem will parse the SLIP frame character to distinguish packets and to identify the data state escape sequence.

This protocol is useful if the host application must have multiple sessions active concurrently. An example would be a police car, which may need simultaneous connections to a local dispatcher, a state motor vehicle bureau, and a federal database.

Note that the SLIP protocol does **NOT** support auto-answer. If the modem was in auto-answer in another packet service, it will be turned off (**S0=0**) when SLIP is selected. Attempts to set the auto-answer register (**S0**) to a value other than 0 will return the ERROR result code.

5.8.1.1. Opening a SLIP Client Session

A detailed discussion of a SLIP session follows the outline below of the steps to open a SLIP Client Session. (AT is omitted for brevity):

1. **+WS46=4** to place the modem in CDPD mode (only required on the SB320).
2. **+WS45=3** to select SLIP service.
3. Optionally assign a channel with **+WPCHAN=n** where **n** is the channel to use.
4. Optionally verify the channel acquisition with **+WPRSSI** looking for the second value in the return string to be 3.

If the modem is using auto-registration (**+WS173=1**) skip to step 7.

5. **+WS197=n** where **n** is the index (1-4) of the NEI to use for this registration.
6. **+WPREG** to register on the CDPD network. The modem will reply as noted in the section above on manual registration.
7. **+WS56?** to query the registration status. Repeat this command until it returns a value of 1 (registered) or until the host chooses to timeout, failing the network connection.
8. **O** to start the session. The modem will reply with CONNECT at which point you are in data state.

The modem is now ready to pass host packets to the network. Any incoming packets, from any originator, will be passed to the host. This allows the host to send and receive packets to multiple destinations asynchronously provided the host can manage multiple socket connections.

Detailed Discussion

The first two steps simply place the modem in CDPD SLIP mode. The modem's session state is set in register **+WS45** (Packet Service) by step 2. Setting this value to **3** will place the modem in SLIP mode. This can be done before or after registration on the network so auto-registration can occur before this step.

The registration process can be more closely controlled with steps 3 through 6. Steps 3 and 4 can be used in auto-register as well as manual register configurations.

To send data over the network in SLIP mode the user must enter a data state connection to the network. There is no explicit destination in SLIP mode so the Dial command is not supported. You are better advised to verify the modem has registered and simply go on-line. Registration is verified with a response of **1** to the query of register **+WS56**.

If there are problems with registration, the host should manage a timeout on this process. Continue to repeat the **+WS56?** query until you get a response of **1** (registered) or the host timer expires.

The **O** command will switch the modem to data state regardless of the registration condition. This should only be used if you know the modem has successfully registered on the CDPD network.

Once in data state, the modem acts as a pipe through which data passes. All PAD and IP protocol stacks as well as SLIP framing must be implemented on the host (DTE) system. Windows Dial-up Networking can provide these services.

Transmitting

Data packets received from the host (DTE) are forwarded to the network in 128 byte segments. They can be buffered on the modem up to 14 segments (1792 bytes). Beyond this, there is local hardware flow control (RTS/CTS) with the host to prevent overflow.

Receiving

Incoming data from the network is buffered (up to 14 x 128 bytes) and is passed to the host as it arrives. If the modem has been placed in command state but is still in on-line condition, incoming data will be buffered. There is an automatic remote flow control between the modem and the network to prevent overflow.

Escaping Data State

To escape data state in SLIP mode, the host can issue the escape sequence **<0xC0>+++<0xC0>** to the modem. The hexadecimal value 0xC0 is the SLIP frame character. This means the modem will be sent a frame containing nothing but the escape code (+++). This is parsed by the modem as an escape and it will not forward the packet to the network.

Entering the 0xC0 character from the keyboard is accomplished one of two ways: using the numeric keypad to enter **Alt+0192**, or using Character Map, a Windows accessory program.

The modem will enter command state but remain registered and in on-line condition (the session is kept open). If data arrives at the modem while the session is open and the modem is in command state, the data is buffered as described above.

An alternative to the escape sequence is to pre-set the DTR Options (**&D**) to either 1 or 2 and then switch DTR off to escape data state. If the option is set to 1 (**&D1**), the modem will enter command state the same as if the escape sequence was issued; it will remain registered with the current session still open. If the DTR Option is 2 (**&D2**) then the modem will close the session, de-register, and return to command state. Note that if auto-registration is enabled, the modem will switch off DCD (closing the current session) but will remain registered.

If the session has been kept open, the host can re-enter data state by issuing the On-line command (**O**). The modem will respond with **CONNECT** and data state is restored.

5.8.1.2. Closing a SLIP Session

To end a SLIP session, escape data state as described above. If the **&D2** DTR option is used then the session is closed.

If the escape sequence or the **&D1** DTR option is used then you must hang-up with either **H0** or **H1** to close the session. Both of these will close the current session. If the modem is set to manual registration, it will also be de-registered by both of these commands.

H1 will force de-registration of the modem even if auto-registration is enabled. The modem will remain de-registered. Although auto-registration remains enabled, the modem will not resume auto-registration until the register is reset (**+WS173=1**) or the modem itself re-enters CDPD mode (a modem reset or power cycle on CDPD-only modems).

5.8.2. User Datagram Protocol (UDP)

UDP is the most basic transport protocol provided by the modem. It is a thin protocol, adding only a port specification to the underlying Internet Protocol (IP). It has the same features as IP, that is a best effort, connectionless delivery service, with the chief benefit being minimum overhead.

UDP is not considered reliable because packet delivery is not guaranteed. Packets can be lost, duplicated, delayed, or delivered out of sequence. These conditions are not detected, and the sender or receiver is not informed.

UDP is connectionless because sender and receiver are never logically connected. If the intended receiver is not active and available *the message is lost*. It is a best effort delivery, because the IP software makes an earnest attempt to deliver the packets, failing only if system resources are overloaded or the underlying networks fail.

Application programs using UDP must accept full responsibility for handling the problems of reliability, including message loss, duplication, delay, out-of-order delivery, and loss of connectivity.

These problems are often treated casually by programmers. Testing done when using highly reliable, low delay local networks may not expose potential failures. This explains why many applications that use UDP work well in a local environment but often fail in dramatic ways on a more global network.

5.8.2.1. Opening a UDP Client Session

Client sessions are those in which your modem initiates a conversation with a server.

A detailed discussion of this type of session follows the outline of steps to open a UDP Client Session. (AT is omitted for brevity):

1. **+WS46=4** to place the modem in CDPD mode (only required on the SB320).
2. **+WS45=0** to select UDP packet service.
3. Optionally assign a channel with **+WPCHAN=n** where **n** is the channel to use.
4. Optionally verify the channel acquisition with **+WPRSSI** looking for the second value in the return string to be 3.

If the modem is using auto-registration (**+WS173=1**) skip to step 7.

5. **+WS197=n** where **n** is the index (1-4) of the NEI to register, to select the NEI
6. **+WPREG** to register on the CDPD network. The modem will reply as noted in the section above on manual registration.
7. **+WS56?** to query the registration status. Repeat this command until it returns a value of 1 (registered) or until the host chooses to timeout, failing the connection.
8. **D<dest>** where **<dest>** is the destination IP and port number to send your data to. If the Dial Directory (quick dial) is being used, **<dest>** can be an index to the Friends Only list. The entry there will be used to determine the IP address and port for the call. See the *AT Command Reference* for details on this command.
The modem will reply with **CONNECT** at which point you are in data state.

The modem is now ready to accept host data for packet assembly and transmission to the network.

Any incoming packets, from a remote originator other than the <dest> will be ignored. Incoming packets from the <dest> address will be passed to the host. This allows the host to exchange data with a specific station.

Detailed Discussion

The first two steps simply place the modem in CDPD UDP mode. The modem's packet service is set in register **+WS45** (Packet Service) by step 2. Setting this value to **0** will enable the modem's UDP stack. This can be done before or after registration on the network so auto-registration can occur before this step.

The registration process can be more closely controlled with steps 3 through 6. Steps 3 and 4 can be used in auto-register as well as manual register settings.

To send data over the network in a UDP client session the user must enter a data state connection to the network with a specific IP address and port number. The On-line command (**O**) can be used with the modem using the default IP address and port. Unfortunately, there is no way for you to verify what this destination is, so we recommend you issue the dial command with an explicit destination each time you start a client session.

The IP of the destination can be any valid IP. Client sessions do not apply the Friends Only restrictions. If the Dial command is given bad syntax including an invalid destination IP or port number, then it will return the **ERROR** result code. This is also true if a "quick dial" index points to an empty or invalid entry in the Friends Only list.

The Dial command can handle the network registration process using the NEI indexed by the auto-register index. See the *AT Command Reference* for details. This means steps 3 through 6 can be omitted if desired.

The response to the Dial command will depend on the setting of register **+WS179** (Registration Wait Status). If the setting is **0** (the default) then the **CONNECT** code is returned regardless of the success or failure of the modem to register. If the modem was not registered then the dial command must perform the task. The UPD PAD is ready and you may start assembling data into a packet while the registration process proceeds in parallel. The modem will buffer the data until the modem registers. A failure to register is **NOT** reported to the host, and the packet can be lost.

If the Registration Wait Status register is set to **1**, then the modem will not respond to the dial command until the registration process terminates. In this case, the response can be one of the following:

CONNECT	The modem must have successfully registered and you can communicate with the network.
NO CARRIER	The modem failed to register with the network within the time allowed by +WS198 .
ERROR	An invalid IP or port number was specified or there was some other error in the Dial command syntax.

It is important to understand that **CONNECT** does not mean that you have established a communication link with the destination. UDP is "connectionless", meaning that you only have a connection to the network. Data packets are not guaranteed to reach their destination using UDP.

Transmitting

Once in data state, the modem uses its PAD management services to assemble the data coming from the host into packets. See Section 5.9 for a discussion of these services.

Receiving

When the connection is established actively (by a **D** (Dial) or **O** (On-line) command), the modem treats the connection as a client session. Incoming packets are accepted from the destination address specified in the Dial command (or defaulted in the On-line command) regardless of whether or not it is contained in the Friends list.

Any packets arriving from an IP other than that in the Dial command are ignored.

If the modem has been placed in command state but is still in on-line condition, incoming data will be buffered. There is an automatic remote flow control between the modem and the network to prevent overflow.

5.8.2.2. Escaping Data State

There are two methods to escape data state in UDP packet service. The host can issue the PAD Time Independent Escape Sequence (TIES) if it is enabled, or the DTR Option can be used if it is enabled.

TIES

This method is enabled with register **+WS60=1** (the default). It is disabled with a setting of **0** (zero). When enabled, the host can send the TIES string (**AT+++**) within a packet. The “AT” portion *must* be in uppercase. The complete sequence must fit within the current packet. If the maximum packet length boundary is reached in the middle of the TIES string, then that part of the string in the packet will be forwarded and not included in TIES checking.

Note that any partial packet assembly prior to reception of the TIES will be lost. To ensure data is properly forwarded, the Primary Forwarding Character should be sent prior to sending the TIES string.

The TIES sequence must be terminated with the Primary Forwarding Character (**+WS64**), which is usually the carriage return <CR>. If the Forwarding Character Feature Mask (**+WS63=0**) is set to **0** (zero) then TIES is also disabled, regardless of the setting in **+WS60**. See Section 5.9 for additional details on packet management and notes regarding the PAD Inter-Character Timer’s impact on TIES entry.

When the TIES is received by the modem, it will enter command state but remain registered and in on-line condition (the session is kept open). If data arrives at the modem while the session is open and the modem is in command state, the data is buffered as described above. See below for instructions on closing the session.

If the session has been kept open, the host can re-enter data state by issuing the On-line command (**O**). The modem will respond with CONNECT and data state is restored.

DTR Option

An alternative to TIES is to pre-set the DTR Options (**&D**) to either 1 or 2 and then switch DTR off to escape data state. If the option is set to 1 (**&D1**), the modem will enter command state and remain registered with the current session still open. If the DTR Option is 2 (**&D2**) then the modem will close the session, de-register, and return to command state. Note that if auto-registration is enabled, the modem will switch off DCD (closing the current session) but will remain registered.

If the session has been kept open, the host can re-enter data state by issuing the On-line command (**O**). The modem will respond with CONNECT and data state is restored.

5.8.2.3. Closing a UDP Session

To end a UDP session, escape data state as described above. If the **&D2** DTR option is used then the session is closed.

If TIES or the **&D1** DTR option is used then you must hang-up with either **ATH0** or **ATH1** to close the session. Both options of the Hook Control (**H**) command will close the current session. If the modem is set to manual registration, it will also be de-registered by both of these options.

ATH1 will force de-registration of the modem even if auto-registration is enabled. The modem will remain de-registered. Although auto-registration remains enabled, the modem will *not* resume auto-registration until the register is reset (**+WS173=1**) or the modem itself re-enters CDPD mode (a modem reset or power cycle on CDPD-only modems).

**NOTE**

There is a PAD Inactivity Timeout in register **S30** that can also close a session. This timer is disabled by default (set to 0) but can be set to a value from 1 to 20 minutes to prevent the modem from holding an idle session open. If this mechanism closes the session the modem will send the message "OK" to the host and return to command state. The Carrier Detect (DCD) signal will also go inactive indicating the session is closed.

5.8.2.4. Opening a UDP Server Session

Server sessions are those in which your modem answers a "call" from another system. The modem is enabled or disabled from handling server sessions by the setting in **+WS212** (Listening Port). A setting of **0** disables the modem from answering server requests. Setting the register to a valid port will enable the server side of the protocol stack.

Answering server connection requests is handled independently from enabling the service. Provided the service is enabled, the modem can be configured to auto-answer or leave answering up to the host with a manual answer command. Register **S0** controls the answering scheme. A setting of **0** disables auto-answer and will require the host to issue the Answer – Manual (**A**) command. Setting the register to **1** will enable auto-answer and the modem will automatically switch to data state for incoming server session requests.

A detailed discussion of this type of session follows the outline of steps to open a UDP Server Session. (AT is omitted for brevity):

1. **+WS46=4** to place the modem in CDPD mode (only required on the SB320).
2. **+WS45=0** to select UDP packet service.
3. Optionally assign a channel with **+WPCHAN=n** where **n** is the channel to use.
4. Optionally verify the channel acquisition with **+WPRSSI** looking for the second value in the return string to be 3.

If the modem is using auto-registration (**+WS173=1**) skip to step 7.

5. **+WS197=n** where **n** is the index (1-4) of the NEI to register, to select the NEI
6. **+WPREG** to register on the CDPD network. The modem will reply as noted in the section above on manual registration.
7. **+WS56?** to query the registration status. Repeat this command until it returns a value of 1 (registered) or until the host chooses to timeout, failing the connection.
8. **+WS212=<port>** where **<port>** is the port number (1025-4999) that the modem will listen to. The modem will only accept packets addressed to this port. The factory default is 2100.
9. Optionally set **S0=1** to enable auto-answer mode.

The modem will remain in command state until a message is received from the network. The session is not actually opened until the first acceptable packet is received.

In server sessions the modem will check all incoming packets for the source IP address. If Friends Only is enabled, the originator's IP address is checked against entries in the Friends List. If no match is found the packet is discarded. If there is a match, or the Friends List is empty, the modem will also verify that the destination port is matched to the listening port set in register **+WS212**.

Provided an incoming packet is acceptable, the modem will then toggle the RI signal and issue the RING message to the host. The RI signal is toggled on for one second and off for four seconds. If the DTR signal is inactive, the toggle is issued a total of three times for each connection attempt. The RING message is sent to the host once only regardless of the state of DTR.

If auto-answer is enabled, the modem will then open the session. If DTR is off (indicating the host is unavailable), the packet is buffered. At this time, there is no DTR flow control. Any incoming packets received while DTR is off are held in the modem buffers until one arrives at a time when DTR is on. At that point, all buffered packets are forwarded to the host.

If auto-answer is disabled, the modem will buffer the packet and wait for the host to issue the Answer – Manual (**A**) command.

Upon opening the session, the modem will issue the **CONNECT** <ip> message (where <ip> is the address of the calling station) to the host to indicate the transition from command state into data state. The **CONNECT** message provides a “caller ID”. Note that quiet mode (**Q**) will suppress the word **CONNECT** but not the IP caller id.

The incoming packet is then presented to the host and the modem is ready to accept host reply data for packet assembly and transmission to the network.

**NOTE**

Packets are buffered at the modem. If manual answer is being used, and several connection attempts are ignored, the packet buffers may overflow. When a session is opened, all buffered packets are forwarded to the host.

It is possible to have buffered packets from multiple source clients but only the last packet received can be answered.

The onus is on the user to implement host protocols when using UDP to ensure data is not lost or corrupted.

Detailed Discussion

The first two steps simply place the modem in CDPD UDP mode. The modem’s packet service is set in register **+WS45** (Packet Service) by step 2. Setting this value to **0** will enable the modem’s UDP stack. This can be done before or after registration on the network so auto-registration can occur before this step.

The registration process can be more closely controlled with steps 3 through 6. Steps 3 and 4 can be used in auto-register as well as manual register settings.

The listening port (+WS212) must be set to the desired port number to communicate over. Both the client and server must share this port number.

In a server session, the host does not originate transmissions, but rather waits for service requests from a calling client. The modem does not enter data state until the first packet is received.

Receiving

Incoming packets are accepted from the network only if the IP of the sender is on the Friends List or the list is empty (Friends Only disabled) and the destination port matches the listening port set in register **+WS212**. Any packets arriving from an IP other than those accepted are ignored.

When a packet arrives, the IP address and port of the sender is stored as the address to send packets to. See Transmitting for additional details and issues on this.

If the modem has been placed in command state but is still in on-line condition, incoming data will be buffered. There is an automatic remote flow control between the modem and the network to prevent overflow.

Transmitting

Once in data state, the modem uses its PAD management services to assemble the data coming from the host into packets. See Section 5.9 for a discussion of these services.



NOTE – Reply Addressing in UDP Server Sessions

The source address (IP address and port number) of the last accepted packet is saved in a temporary variable for use as the current destination address for all packets being sent by the modem during the current server session.

This can lead to some conflict on busy systems. If a packet arrives from source A and is currently being serviced by the host when a packet arrives from source B, a reply intended for A will be sent to B.

A future firmware revision will implement a BUSY response which will avoid this problem. For now, this situation cannot be avoided in UDP server sessions. The only remedy is to use the TCP PAD to establish distinct point-to-point communication links.

The host will only know the identity of the calling station from the “caller ID” provided in the CONNECT message. Once in data state the incoming packets could be from any acceptable station (based on Friends Only activation) and matching the listening port.

The normal behaviour would have the server receive a message, issue a reply, and then close the session. Auto-answer will be re-enabled so the client can send another packet if needed which will appear to the host as a new session with “caller ID”.

An alternative would have all clients use an agreed protocol in which the client includes station identification data within the packet. It is the user’s responsibility to supply this level of protocol.

5.8.2.5. Escaping Data State

Escaping a UDP server session is handled exactly the same way as a client session. See Section 5.8.2.2 above for details.

5.8.2.6. Closing a UDP Server Session

Closing a server session is handled exactly the same way as a client session. See Section 5.8.2.3 above for details.

Provided the modem is set to auto-register and **H1** is **not** used to close the session, the modem is ready for the next UDP server session without further configuration. Auto-answer will remain enabled and the modem registered on the network.

To disable auto-answer, you must set register **S0=0**. This will prevent the modem from starting any further server sessions.

5.8.2.7. UDP Broadcast and Multicast

These services are not yet supported by the SB300 Series modems but are planned for future firmware upgrades.

Broadcast and multicast are CDPD functions that support sending the same data to a large group of IP Addresses with a single transmission to the CDPD network. This capability is implemented through Mobile Data Intermediate System (MDIS) software. Check with your carrier to determine if these capabilities are offered before planning to use it as part of your application.

Broadcast and multicast transmissions are point-to-multi-point and provide a one-way UDP connectionless service. The operational considerations are:

- Protocol restrictions prevent broadcast or multicast messages from being encrypted.
- Broadcast or multicast data packets will not be received by a SB300 Series modem with an active TCP PAD session.
- If a UDP PAD session is active the broadcast and multicast messages will be interspersed with the application data packets and must be separated by the application.

- In the case of SLIP, the disposition of the broadcast and multicast messages is a function of the support provided by the software stack and end-user applications (one must be UDP) operating on the Mobile Application Subsystem (MAS). If a UDP session is not active, the messages will be lost.

Broadcast

The Broadcast function is used on a geographic coverage basis. To support this function the MDIS is set up with a Broadcast NEI that includes a list of the Mobile Data Base Stations (MDBSs) in the desired broadcast area in its definition. There can be multiple broadcast areas within the coverage area of a single MDIS. A message is transmitted to a Broadcast NEI at the MDIS that replicates the message, puts a special broadcast header on it, and sends it to the cells indicated by the broadcast list.

For most applications broadcast is not appropriate, because broadcast messages are sent to all the CDPD modems in the covered geography. It is more useful to be able to specify that messages only go to all, or a subset of the IP Addresses associated with a specific customer; a capability offered by multicast.

Multicast

Multicast is set up similarly to broadcast, except that the MDIS is set up with a Multicast NEI and a list of the terminals that belong to that specific group rather than a list of cells, as used by the broadcast function. The message to be multicast is sent to the Multicast NEI at the MDIS, which replicates the message and sends individual messages to the terminals indicated in its multicast group list.

A terminal can be a member of any number of multicast groups, however it can only be active in one at any given time. A terminal wishing to receive multicast messages indicates its readiness by registering a Multicast NEI and by being ready to receive UDP datagrams. The latter can be accomplished by having the UDP Server function set to active, or if in SLIP mode, by having a UDP application set to ready. In all of the preceding cases the MAS is assumed to be ready to process any incoming multicast datagrams.

Contact the service provider for information on the availability and use of multicast service in your area.

5.8.3. Transmission Control Protocol (TCP)

Transmission Control Protocol (TCP) is an advanced transmission protocol that adds substantial functionality to the underlying Internet Protocol it is built on. Because of this structure it is often referred to as TCP/IP. The advantage of TCP is reliability of data transmission; achieved by using positive acknowledgements with retransmission if required. The main disadvantage is the overhead needed to provide this reliability under various conditions.

Due to the positive acknowledgements used in TCP, it is not recommended that sleep modes be enabled in the modem. If the modem goes to sleep, the possible delays in sending and picking up acknowledgements can result in excessive re-transmissions and even lost connections.

Unlike UDP, TCP offers both reliable and connected data transmission service. Lost, delayed, duplicated, or out of sequence packets are detected and automatically corrected. A logical **point-to-point connection** is established and maintained throughout the communications session. It requires very little other than session establishment, sending data over the serial port, and session termination to get a basic application operational.

The price for this reliability is the number of extra data packets used and the time required to process them. Both need to be considered when selecting an application protocol.

5.8.3.1. Configuring a TCP Client Session

Client sessions are those in which your modem initiates a conversation with a server.

A detailed discussion of this type of session follows the outline of steps to open a TCP Client Session. (AT is omitted for brevity):

1. **+WS46=4** to place the modem in CDPD mode (only required on the SB320).
2. **+S31=0** to disable logic sleep.
3. **+WS175=0** to disable CDPD sleep.
4. **+WS45=1** to select TCP packet service.
5. Optionally assign a channel with **+WPCHAN=n** where **n** is the channel to use.
6. Optionally verify the channel acquisition with **+WPRSSI** looking for the second value in the return string to be 3.

If the modem is using auto-registration (**+WS173=1**) skip to step 9.

7. **+WS197=n** where **n** is the index (1-4) of the NEI to register, to select the NEI
8. **+WPREG** to register on the CDPD network. The modem will reply as noted in the section above on manual registration.
9. **+WS56?** to query the registration status. Repeat this command until it returns a value of 1 (registered) or until the host chooses to timeout, failing the connection.
10. **D<dest>** where **<dest>** is the destination IP and port number to send your data to. If the Dial Directory (quick dial) is being used, **<dest>** can be an index to the Friends Only list. The entry there will be used to determine the IP address and port for the call. See the *AT Command Reference* for details on this command.
The modem will reply with **CONNECT** at which point you are in data state.

The modem is now ready to accept host data for packet assembly and transmission to the network.

Incoming packets from the **<dest>** address will be passed to the host. This allows the host to exchange data in a point-to-point connection on a specified port with a specific station.

Detailed Discussion

The first four steps simply place the modem in CDPD TCP mode. The modem's sleep features are disabled to prevent delays in TCP acknowledgements, which would cause excessive re-transmissions and possibly loss of connection. The modem's packet service is set in register **+WS45** (Packet Service) by step 4. Setting this value to **1** will enable the modem's TCP stack. This can be done before or after registration on the network so auto-registration can occur before this step.

The registration process can be more closely controlled with steps 5 through 8. Steps 5 and 6 can be used in auto-register as well as manual register settings.

To send data over the network in a TCP client session the user must enter a data state connection to the network with a specific IP address and port number.

The On-line command (**O**) can only be used after a session has started. The Dial command must be used to establish the TCP point-to-point connection. Once established, the host can escape data state and then use this command to return to data state with the point-to-point connection still intact.

The IP of the destination can be any valid IP. Client sessions do not apply the Friends Only restrictions. If the Dial command is given bad syntax including an invalid destination IP or port number, then it will return the **ERROR** result code. This is also true if a "quick dial" index points to an empty or invalid entry in the Friends Only list.

The Dial command can handle the network registration process using the NEI indexed by the auto-register index. See the *AT Command Reference* for details. This means steps 3 through 6 can be omitted if desired.

Note that two timers are used for the connection process. **+WS198** (Registration Wait Time) is used to timeout the network registration process. The default is 30 seconds. A second timer at **S7** (TCP PAD Timeout) is used to time the TCP connection handshake. This timer defaults to 30 seconds as well. The TCP PAD Timeout starts when the Dial command is issued. If modem was not already registered, then network registration will consume time from this timer as well. In other words, the TCP PAD Timeout can run concurrently with the Registration Wait Timer.

The response to the Dial command when TCP is enabled does *not* depend on the setting of register **+WS179** (Registration Wait Status). The **CONNECT** code is only returned on the successful network registration and TCP negotiation with the destination. A failure to register or negotiate TCP is reported to the host by either a **NO CARRIER** or **NO ANSWER** result code. The response can be one of the following:

CONNECT	The modem has successfully registered and established the TCP connection. You can now communicate with your destination.
NO CARRIER	The modem failed to register with the network within the time allowed by +WS198.
NO ANSWER	The modem could register with the network but could not negotiate the TCP handshake with your destination within the time allowed by register S7.
ERROR	An invalid IP or port number was specified or there was some other error in the Dial command syntax.
PAD ERROR	An internal modem error has occurred in the TCP stack. The modem will have to be reset.

Unlike UDP, a **CONNECT** message in TCP service *does* mean that you have established a communication link with the destination.

Transmitting

Once in data state, the modem uses its PAD management services to assemble the data coming from the host into packets. See Section 5.9 for a discussion of these services.

Receiving

Incoming packets are accepted from the destination address specified in the Dial command regardless of whether or not it is contained in the Friends list.

Any packets arriving from an IP other than that in the Dial command are ignored.

If the modem has been placed in command state but is still in on-line condition, incoming data will be buffered. There is an automatic remote flow control between the modem and the network to prevent overflow.

5.8.3.2. Escaping Data State

There are two methods to escape data state in TCP packet service. The host can issue the PAD Time Independent Escape Sequence (TIES) if it is enabled, or the DTR Option can be used if it is enabled.

TIES

This method is enabled with register **+WS60=1** (the default). It is disabled with a setting of 0 (zero).

When enabled, the host can send **AT+++** as a packet. The “AT” portion *must* be in uppercase. See Section 5.9 for details on packet management and notes regarding the PAD Inter-Character Timer.

When the TIES is received by the modem, it will enter command state but remain registered and in on-line condition (the session is kept open). If data arrives at the modem while the session is open and the modem is in command state, the data is buffered as described above. See below for instructions on closing the session.

If the session has been kept open, the host can re-enter data state by issuing the On-line command (**O**). The modem will respond with CONNECT and data state is restored.

DTR Option

An alternative to TIES is to pre-set the DTR Options (**&D**) to either 1 or 2 and then switch DTR off to escape data state. If the option is set to 1 (**&D1**), the modem will enter command state and remain registered with the current session still open. If the DTR Option is 2 (**&D2**) then the modem will close the session, de-register, and return to command state. Note that if auto-registration is enabled, the modem will switch off DCD (closing the current session) but will remain registered.

If the session has been kept open, the host can re-enter data state by issuing the On-line command (**O**). The modem will respond with CONNECT and data state is restored.

5.8.3.3. Closing a TCP Session

To end a TCP session, escape data state as described above. If the **&D2** DTR option is used then the session is closed.

If TIES or the **&D1** DTR option is used then you must hang-up with either **ATH0** or **ATH1** to close the session. Both of these command options will close the current session. If the modem is set to manual registration, it will also be de-registered by both of these options.

ATH1 will force de-registration of the modem even if auto-registration is enabled. The modem will remain de-registered. Although auto-registration remains enabled, the modem will not resume auto-registration until the register is reset (**+WS173=1**) or the modem itself re-enters CDPD mode (a modem reset or power cycle on CDPD-only modems).



NOTE

*There is a PAD Inactivity Timeout in register **S30** that can also close a session. This timer is disabled by default (set to 0) but can be set to a value from 1 to 20 minutes to prevent the modem from holding an idle session open. If this mechanism closes the session the modem will send the message NO CARRIER and return to command state. The Carrier Detect (DCD) signal will also go inactive indicating the session is closed.*

5.8.3.4. Opening a TCP Server Session

Server sessions are those in which your modem answers a “call” from another system. The modem is enabled or disabled from handling server sessions by the setting in **+WS212** (Listening Port). A setting of **0** disables the modem from answering server requests. Setting the register to a valid port will enable the server side of the protocol stack.

Answering server connection requests is handled independently from enabling the service. Provided the service is enabled, the modem can be configured to auto-answer or leave answering up to the host with a manual answer command. Register **S0** controls the answering scheme. A setting of **0** disables auto-answer and will require the host to issue the Answer – Manual (**A**) command. Setting the register to **1** will enable auto-answer and the modem will automatically switch to data state for incoming server session requests.

A detailed discussion of this type of session follows the outline of steps to open a TCP Server Session. (AT is omitted for brevity):

1. **+WS46=4** to place the modem in CDPD mode (only required on the SB320).
2. **+S31=0** to disable logic sleep.
3. **+WS175=0** to disable CDPD sleep.

4. **+WS45=1** to select TCP packet service.
5. Optionally assign a channel with **+WPCHAN=n** where **n** is the channel to use.
6. Optionally verify the channel acquisition with **+WPRSSI** looking for the second value in the return string to be 3.

If the modem is using auto-registration (**+WS173=1**) skip to step 9.

7. **+WS197=n** where **n** is the index (1-4) of the NEI to register, to select the NEI
8. **+WPREG** to register on the CDPD network. The modem will reply as noted in the section above on manual registration.
9. **+WS56?** to query the registration status. Repeat this command until it returns a value of 1 (registered) or until the host chooses to timeout, failing the connection.
10. **+WS212=<port>** where **<port>** is the port number (1025-4999) that the modem will listen to. The modem will only accept packets addressed to this port. The factory default is 2100.
11. Optionally set **S0=1** to enable auto-answer mode.

The modem will remain in command state until a TCP handshake is completed with a calling client.

The session is not actually opened until a TCP connection handshake is negotiated with an accepted IP address on the listening port. In server sessions the modem will check all incoming packets for the source IP address. If Friends Only is enabled, the originator's IP address is checked against entries in the Friends List. If no match is found the handshake will fail and the host will not be advised of any activity. This is handled entirely within the modem.

Provided connection request is acceptable, the modem will then toggle the RI signal and issue the RING message to the host. The RI signal is toggled on for one second and off for four seconds. If the DTR signal is inactive, the toggle is issued a total of three times for each connection attempt. The RING message is sent to the host once only regardless of the state of DTR.

If auto-answer is enabled, the modem will then open the session. If DTR is off (indicating the host is unavailable), incoming packets are buffered. At this time, there is no DTR flow control. Any incoming packets received while DTR is off are held in the modem buffers until one arrives at a time when DTR is on. At that point, all buffered packets are forwarded to the host.

If auto-answer is disabled, the modem will wait for the host to issue the Answer – Manual (**A**) command before completing the TCP connection handshake. If the host is slow to answer, the caller may timeout (get a NO ANSWER result).

Once the session is opened the host is notified with the CONNECT <ip> message (where <ip> is the address of the client station). The CONNECT message provides a "caller ID". Note that quiet mode (**Q**) will suppress the word CONNECT but not the IP caller id.

At this point the modem changes from command state to data state. Incoming packets are then presented to the host and the modem is ready to accept host reply data for packet assembly and transmission to the client.

Detailed Discussion

The first four steps simply place the modem in CDPD TCP mode. The modem's sleep features are disabled to prevent delays in TCP acknowledgements, which would cause excessive re-transmissions and possibly loss of connection. The modem's packet service is set in register **+WS45** (Packet Service) by step 4. Setting this value to **1** will enable the modem's TCP stack. This can be done before or after registration on the network so auto-registration can occur before this step.

The registration process can be more closely controlled with steps 5 through 8. Steps 5 and 6 can be used in auto-register as well as manual register settings.

The network registration is verified by testing register **+WS56**. Once registered the modem is configured to receive calls.

The listening port (+WS212) must be set to the desired port number to communicate over. Both the client and server must share this port number.

In a server session, the host does not originate transmissions, but rather waits for service requests from a calling client. The modem does not enter data state until a successful TCP handshake has been negotiated.

Receiving

Incoming requests for TCP connection are accepted from the network only if the IP of the sender is on the Friends List or the list is empty (Friends Only disabled) and the destination port matches the listening port. Any connection requests or packets arriving from an IP other than those accepted are ignored.

Once the session has been started, the modem will only receive packets from the connected client IP. This will remain in effect until the session is closed.

If the modem has been placed in command state but is still in on-line condition, incoming data will be buffered. There is an automatic remote flow control between the modem and the network to prevent overflow.

Transmitting

Once in data state, the modem uses its PAD management services to assemble the data coming from the host into packets. See Section 5.9 for a discussion of these services.

All outgoing packets are directed to the connected client IP until the connection is closed.

5.8.3.5. Escaping Data State

Escaping data state to allow the issuing of AT commands to the modem is handled exactly the same way as a client session. See Section 5.8.3.2 above for details.

5.8.3.6. Closing a TCP Server Session

Closing a server session can be handled in three ways.

- The server host can close the session exactly the same way as a client session. See Section 5.8.3.3 above for details.
- The client can disconnect. The server host will receive the "NO CARRIER" message and the Carrier Detect (DCD) signal will go inactive indicating the session has closed.
- The modem can close the session if the PAD Inactivity Timeout in register **S30** expires. This timer is disabled by default (set to 0) but can be set to a value from 1 to 20 minutes to prevent the modem from holding an idle session open. If this mechanism closes the session the modem will send the message "NO CARRIER" and return to command state. The Carrier Detect (DCD) signal will also go inactive indicating the session is closed.

Provided the modem is set to auto-register and **ATH1** is **not** used to close the session, the modem is ready for the next server session without further configuration. Auto-answer will remain enabled and the modem registered on the network.

To disable auto-answer, you must set register **S0=0**. This will prevent the modem from opening any further server sessions.

5.9. Packet Assembly Management

Once in data state with either the UDP or TCP PAD enabled, the modem accepts data from the host (DTE) and assembles it into packets. Packet assembly is largely transparent to the host but some assembly management features are available.

Starting a Packet

A packet is started when the host starts sending data to the modem. The modem will buffer the data as it assembles the packet.

Real Time Data Entry and Editing

The modem can echo characters from the host back to it in cases where a terminal application is being used to allow individuals to type and send messages in real time. This is similar to Internet Relay Chat (IRC). Setting **+WS62=1** will enable the echo (the default) and setting **+WS62=0** will disable it.

If this type of communication is being used, the modem can also optionally allow editing of the packet buffer. Setting **+WS72=1** (the default) will enable local editing of the data before it is forwarded to the network. This allows you to backspace using the character set in **+WS73** (the default is 8 <BS>). If local echo is also enabled then the modem will echo the backspace character, a space, and another backspace.

Forwarding a Packet

The modem closes and sends a packet when one of the following events occur:

1. The maximum packet length set in **+WS74** (default 1000) is reached. You may wish to set this value smaller if you are encountering too many packet errors and retransmissions. Setting it below 5 will preclude use of the TIES to exit data mode. See below for details.
2. The modem receives the PAD Primary Forwarding Character set in register **+WS64**. This character defaults to 13, the carriage return <CR>. The feature is enabled by default and can be controlled with a bit mask option set in register **+WS63**. The options are:
 - 0 Disabled
 - 1 The packet is terminated and the forwarding character is discarded.
 - 3 The forwarding character is included in the packet before the packet is closed and sent. The default option setting is 3.
3. The PAD Inter-Character Timer (**+WS70**) expires. This timer is disabled (set to 0) by default. It can be set to values from 0.1 to 25.5 seconds. If particularly short times are used, real time typing will be forwarded virtually as it is received. This would also mean that manually typing the TIES to escape data mode is virtually impossible as the packet is closed before the full character string is entered.

NOTE: If you disable the primary forwarding character (**+WS63=0**) and the timer (**+WS70=0**), the only way to forward packets will be to fill the packet buffer. This is very strongly discouraged.

Using TIES

The Time Independent Escape Sequence (TIES) is a method to shift the modem from data state to command state. It is enabled by setting **+WS60=1** (the default) and disabled by setting **+WS60=0**.

The escape sequence is a packet containing only the string "AT+++" where the "AT" must be in uppercase. To ensure the packet contains only this value you must be sure that you are starting a new packet and that the modem will not close the packet before the string is complete.

To ensure you are starting a packet, you must ensure that one of the forwarding events described above has occurred. The easiest way is to send the Primary Forwarding Character.

To ensure that you can enter the complete string, you cannot set the maximum packet length less than 5. You must also provide sufficient time in the PAD Inter-Character Timer to enter each character. If this is to be manually typed, the value should be set quite high (or disabled altogether). You must also avoid setting the PAD Primary Forwarding Character (+WS64) to one of the three characters in the TIES string (A=65 ,T=84 ,+=43).

5.10. Data and Telemetry Applications

If you are communicating data files or telemetry using one of the modem's PAD services (UDP or TCP) that do not involve direct human interaction, you should make appropriate changes to the packet management features of the modem.

Exact settings will depend on the nature of your application and the quality of your network connection. What follows are some issues to consider.

If binary data is being communicated, you should disable the PAD Primary Forwarding Character feature (**+WS63=0**) and use the PAD Inter-Character Timer (**+WS70=5**) instead. This will prevent unusually small packets where the forwarding character might occur frequently in the binary data. It will also ensure data is forwarded to the network within a roughly known period. This allows the server to detect if problems have occurred at the client end.

The maximum packet length (**+WS74**) should be set as best suits the size of the data or telemetry files you are sending. Remember that, in areas of poor network connectivity where retransmissions are frequent, overall throughput may be improved by using smaller packet sizes.

Specific modem configuration samples for particular case studies may be available soon from the Sierra Wireless Internet site at www.sierrawireless.com.

6. CSC Operation

This section provides information on configuring and using the SB320 modem in Circuit Switched Cellular (CSC) data mode if you are not using Watcher and Windows Dial-up Networking for your connections. If you are using a standard Windows-based application then consult Section 3.3 Configuration using WirelessExpert.

The introduction provides some background on CSC communications in general.

For details on CSC Voice operation see Section 8 Voice Operation in CSC and Wireline.

6.1. Introduction

Circuit Switched Cellular is a wireless mode of communication in which the data link connection between the SB320 modem and the remote modem is made over the circuit switched voice cellular network. This voice cellular network is based on the Advanced Mobile Phone Service (AMPS).

Data communications are carried on over this link as if a standard landline telephone connection is being used. Circuit Switched Cellular is perhaps the most familiar form of wireless data and voice communications. This mode works like normal wireline communication except that the modem link is over a cellular phone call rather than a landline phone call. Like cellular phones, cellular modems have their own telephone number and require a dedicated channel for the duration of the call.

6.1.1. Modem Registration

6.1.1.1. Cellular Phone Number

Using the modem over the cellular network requires that the modem be assigned a Number Assignment Module (NAM). This is essentially the phone number associated with your modem. This is assigned to you when you register your modem with a cellular carrier. The cellular carrier requires the unique Electronic Serial Number (ESN) which is assigned to your modem at the factory.

The unit is capable of retaining two NAMs, with each NAM being independently assigned to any cellular service provider.

As with your credit card number, bank machine number, or any other private password, you should safeguard the NAM and keep it private.

Calls made with the Sierra Wireless modem using CSC mode are not possible until the NAM has been programmed. The NAM data consists of the cellular phone number as well as other subscriber and cellular service provider information.

6.1.1.2. Electronic Serial Number (ESN)

The Sierra Wireless modem stores the ESN internally. You can display it through the Watcher application by choosing **Help > About** from the main menu when the modem is operating in Circuit Switched Cellular mode. You can also display the ESN by using the **AT+WVESN** command. The ESN is displayed in text form for both NAMs.

6.1.2. CSC Radio Coverage

Because the cellular radio channel is an inherently noisy channel (unlike the public switched telephone network), the remote modem to which the Sierra Wireless modem places a call should as a minimum, support the V.42 error correction standard. This will correct the errors in data transmission that occur over the radio channel.

These errors result from various forms of electrical interference, noise generated by other cellular subscribers (especially during peak usage periods), and the user being located in areas of poor cellular coverage such as remote locations or inside buildings. The use of any cellular device inside a building suffers from varying degrees of signal loss due to losses in the building walls and office materials inside the building. Better signals can be achieved by locating the modem near a window or other opening and by ensuring that the modem antenna is deployed in the vertical position.

Within any cellular network, there will be regions of poor signal coverage. In these areas, noise will affect communications. In addition, an effect known as co-channel interference can be heard on the cellular channel. This is interference from a cellular phone in a different cell. These effects will sporadically limit the communications link, leading to momentary loss of data, or a dropped call.

6.1.3. Modem Pools

As discussed in Section 4.5.2 above, there are significant performance differences between configuration profiles for cellular modems and landline modems. To help alleviate this, some cellular carriers offer modem pools for cellular data calls.

Modem pools were developed to overcome the need to have a “cellularly aware” modem at the landline side of a cellular data link. The end to end link actually consists of two back to back modem connections. The cellular modem initiates a connection with the cell-side modem in a pool, while at the same time the land-side modem in the pool initiates a connection with the destination landline modem. The two modems within the modem pool pass data between themselves using a buffered digital link. The cell-side modem typically supports the necessary features to ensure a robust modem link.

To use a modem pool for a call, involves prefixing the called phone number with *DATA (*3282).

Although benefits are generally gained by using modem pools, there are a few disadvantages to this configuration:

- Call initiation time is long, and there can be long delays in end to end character echo.
- Calls to mobile modems cannot be made through a modem pool.
- Configuration is unique from base-station to base-station, it is not always optimized.

Section 6.5 below provides information for advanced users on optimizing the modem for particular environments.

6.2. Configuring the Modem for CSC

You can configure the settings using either WirelessExpert or Watcher as described in Section 3.3 and 3.5.2. Alternatively you can enter the configuration using AT commands as described in the following sub-sections.

6.2.1. Setting the NAM

See Section 2.2.2 for information on registering for CSC cellular service. Make sure your carrier gives you a 10-digit NAM (area code plus phone number), Home System ID, and a side preference (A or B).

1. **+WS46=7** to ensure the modem is in CSC mode.
2. **+WS178=n** where **n** is the entry you wish to edit (1 or 2). This will make it the active NAM.
3. **+WPNAM?** to display the current entry and verify that it can be changed.

4. **+WPNAM=num,sys,pref** where **num** is the 10 digit phone number with area code and without brackets, spaces, or dashes (i.e. 6042311100); **sys** is the Host System ID provided by your cellular service provider; and **pref** is the numeric code for the side preference as shown below:
 - 0 – A side preferred,
 - 1 – B side preferred,
 - 2 – A side only,
 - 3 – B side only,
 - 4 – Home only.

When you press <enter> the modem will update the entry and respond OK. If the response is ERROR then a parameter was out of range or the syntax was incorrect.

5. **+WPNAM?** to display the new entry and verify it is correct.

The NAM is now set and is active. If you wish to enter an alternate NAM then repeat the process from step 2. The active NAM used by the modem for CSC connections will be the one indexed by the **+WS178** register when you are finished.

6.2.2. Confirm CSC Service

To ensure that your modem can make a cellular call:

1. **+WS46=7** to ensure the modem is in CSC mode.
2. **+WS178=n** where **n** is the NAM entry you wish to use. This will make it the active NAM.
3. **+WPNAM?** to display the current entry and verify that it is the one to be used.
4. **+WPRSSI** to verify that you have acquired a channel and the NAM will register. The reply to this command is in four lines:

Signal strength in dBm (-0 indicates no signal)

Channel state where 1 indicates scanning and 3 indicates an acquired channel

Registration state where 0 indicates your NAM is not registered, and 1 indicates registration

Channel number (0 indicates scanning).

Use A/ to repeat the RSSI query until your modem can find a channel and register the NAM. If the modem fails to register the NAM on a channel after one minute then your NAM does not likely have service in the coverage area.

When the RSSI reports the modem has registered the NAM:

5. **ATDnum** where **num** is a telephone number that you can call to detect a ring. This can be a voice line at or near your workstation. The modem will dial the number and you should hear the ring and see a ring indication reply on the host terminal application.

If you dial a destination modem set to auto-answer, the handshake should complete and the connection result will be reported. You can terminate the connection normally.

6. If you call a line which does not answer, press any key to have the modem cancel the call and return to command state or allow the dial command to timeout.

6.3. Originate a CSC Connection

CSC operates just like regular landline modems except the call is placed over a cellular network.

Watcher (Section 0) can be used to setup the modem for CSC operation. When set, a call can be placed using any modem application which can issue a dial command to the port.

Alternatively, Windows Dial-up Networking can be configured to establish a connection. If Dial-up Networking (or any other communication application) is used to setup the modem, the setup string should be:

AT &F5

This command will configure the modem to use ETC settings that improve performance for cellular connections. See Section 6.5 below for a full discussion of optimized cellular settings.

You may freely add necessary settings to control the local DTE/DCE interface (echo, verbose, quiet, etc.) without altering the remote connection settings.

6.4. Auto-answer a Cellular Call

Your application can use the modem just like any landline modem. The modem setup string should be:

AT &F5

AT S0=n where n is the ring count on which the modem will answer the line.

This setup will configure the modem to use ETC settings that improve performance for cellular connections. See Section 6.5 below for a full discussion of optimized cellular settings.

You may freely add necessary settings to control the local DTE/DCE interface (echo, verbose, quiet, etc.) without altering the remote connection settings.

6.5. Optimizing Data Performance

The SB320 modem can be configured for excellent cellular performance. The AT&T Paradyne Comsphere product line is recommended as the landline side. Alternatively cellular modem pools, sometimes supplied by the cellular service provider are normally good for performance, although they too need to be properly configured by the cellular carrier to optimize the performance.

The SB320 modem supports V.34 protocol allowing it to achieve higher connection speeds, and to optimize its filter characteristics dynamically to get the best Signal-to-Noise Ratio (SNR) on a given link. This makes for a much more robust and faster connection and speeds of 19200 bps are not uncommon with this modem if the host supports V.34 as well.

To help determine the nature of the connections being established in trials it may be useful to have the modem report a more extensive reply. Setting **S95=127** will enable the modem to report the DCE connection speed, protocol, and compression negotiated.

A number of connection scenarios between a SB320 and a variety of host modems are considered in the following sections in an attempt to present a guideline to improve connectivity. The host modems are divided in two categories: those that support ETC and those that don't. Of those modems that don't support ETC, a further differentiation is made with regard to those that support LAPM/V.42bis and those that don't. Finally, modem pools with *DATA service are considered as a separate category, even though these modems do implement ETC.

But first the factory settings are described as a reference point.

6.5.1. Factory Default for ETC

The **&F5** command will configure the SB320 for optimal performance on most cellular systems. This AT command is designed to make it easy for the user or application to set up the modem in ETC mode. Sending just this one command will cause the modem to reconfigure all its registers, including those that are not associated with ETC, to factory default and optimized for ETC operation.

It is equivalent to sending **AT&F0** followed by a series of additional AT commands and S-Register settings which pertain to ETC mode. This is why it can be thought of as a 'super' AT command. A brief description and commentary of each of these additional settings is given below.

IN5	Enables V.42 LAPM error control only. This is a requirement of ETC. The modem will disconnect if the remote end does not support LAPM.
-K0	This is a companion to the above command indicating a preference for LAPM when using V.42.
*H2	This sets the Link Negotiation Speed for the initial connection to 4800 bps. The policy of "start slow and train up" guarantees that the initial negotiation phase has more chance of success. Start-up speeds of 4800 bps and 9600 bps (*H3) may be used. In addition if a connection has not been established after 60 seconds, the modems will fall back to 1200 bps.
S7=120	The Wait for Carrier is set to 120 seconds. The handshaking process with ETC enabled and cellular generally can take longer than the default 50 seconds. This is especially true of modem pools are being used.
S10=100	Lost Carrier Hang-up Delay is set to 10 seconds. The default is 0.6 seconds but cellular links can be interrupted during cell changes and due to other "noise" so the modem will wait longer to determine if the connection is truly lost.
S51=15	This sets the V.34 symbol rate to 2800 symbols per second and the carrier frequency control to automatic for transmissions. The default would allow 3429 symbols per second, which is likely to lead to more failures and retransmissions.
S52=15	This does the same as S51 but for the V.34 receive side.
S55=37	V.34 options are set to enable asymmetric bit rates, and non-linear encoding. It disables asymmetric rates, constellation expansion and receiver pre-encoding.
S70=20	This extends the maximum number of retransmissions from the default 12 up to 20.
S96=31	ETC Options are set to enable all features for ETC handshaking. This includes enabling a fallback to 1200 bps if higher rates cannot be supported. It also enables /ETC to be appended to the CONNECT message.
S106=32	The frame size for LAPM is set to the minimum 32. The default is the maximum of 128. Use of a small frame size does reduce direct throughput, but gives a more robust connection. This leads to fewer retransmissions and can improve overall throughput in noisy connections that require frequent retransmissions.
S108=3	Signal Quality is selected to high, meaning that automatic re-training is activated at the most sensitive setting. This means that the modem will re-train on slight changes in line quality. This is intended to keep the rate as high as practical.

6.5.1.1. Data Rate

Even with optimal configuration, modems will have a tendency to attempt to communicate at a data rate that is faster than optimal for overall throughput. For this reason it is recommended that register **S37** (Desired DCE Speed) be used to limit the maximum data communications rate. This register can be set as part of the initialization string eg. **ATS37=7**.

Remember that the factory setting above sets the speed for the initial negotiation at 4800 bps but the modem can train up to a maximum set in S37. The default value for S37 is to connect no faster than the DTE connection speed (currently fixed at 19200 bps). This will happen only if the line conditions allow it. Otherwise, the modem will connect at a lower speed.

If the modem is found to be training up and down too often due to a constantly changing line quality, it may be better to reduce the upper limit to 7200 bps (s37=8) or 4800 bps (s37=7). This will result in a more stable connection and eliminate excessive speed negotiation. This is feasible if speed is not critical to the application or if small amounts of data are transferred at any one time.

Alternatively, if retraining is too frequent, the line quality threshold for retraining can be shifted down using S108. This should only be tried under controlled trial conditions to determine the best balance between signal threshold and maximum line speed. Transmitting a 100k test file gives a reasonable measure of throughput efficiency.

Based on field experience using the **&F5** settings, the following limits are recommended:

- V.32bis talking to cellularly aware landline modem – 9600 bps (S37=9)
- V.32bis talking to standard wireline modem – 4800 bps (S37=7)
- V.34 talking to cellularly aware modem – 12000 bps (S37=10)
- V.34 talking to standard wireline modem – 9600 bps. (S37=9)

If only a small amount of data is being transferred, it is recommended that a data rate of 4800 bps (S37=7) is used. This will give optimal performance and coverage area. Error Correction should always be enabled. Flow control should be used (hardware recommended).

For situations where even 4800 bps does not hold a connection, the last suggestion is to try a data link at 1200 bps (s37=5).

6.5.2. Connections to ETC Enabled Modems

Enhanced Throughput Cellular (ETC) is a protocol enhancement designed to optimize cellular data communications. It is described in Section 4.5.2.1.

This is the best case scenario and it should be possible to achieve speeds of 9600 – 19200 bps if the host supports V.34 and ETC. The table below lists some of the steps for troubleshooting bad connections at both the SB320 end and the Host modem end. As a rule, when starting the troubleshooting procedure, both modems should be reset to their respective factory defaults settings. If problems still persist, then a more thorough analysis of each modem's settings needs to be done as outlined below.

6.5.3. Connections to Non-ETC Compatible Modems

If the remote modem does not support LAPM and V.22bis then you will have to allow the SB320 to use alternative protocols. The **&F0** command is used. This AT command configures the modem in CSC data mode but without ETC enabled.

An additional series of AT commands and S-Register settings should also be set to optimize the modem to operate in a cellular environment without the benefits of the ETC protocol. This non-ETC configuration will then allow the modems to negotiate other protocols such as MNP, etc.

The following additional commands should be sent to configure the modem for CSC mode use with non-ETC compatible modems:

- | | |
|------------|---|
| W3 | Enables V.42 LAPM error control but also allows MNP and will even tolerate a non-error controlled link. A setting of 2 is also possible if you want to disconnect if neither LAPM nor MNP error control can be negotiated. |
| -K0 | This is a companion to the above command indicating a preference for LAPM when using V.42. |

- *H2** This sets the Link Negotiation Speed for the initial connection to 4800 bps. The policy of “start slow and train up” guarantees that the initial negotiation phase has more chance of success. Start-up speeds of 4800 bps and 9600 bps (***H3**) may be used. In addition if a connection has not been established after 60 seconds, the modems will fall back to 1200 bps.
- S7=120** The Wait for Carrier should be set higher than the default 50 seconds to allow for the added time of cellular (and possibly modem pool) connections. This sets the wait to 120 seconds.
- S10=100** Lost Carrier Hang-up Delay is set to 10 seconds. The default is 0.6 seconds but cellular links can be interrupted during cell changes and due to other “noise” so the modem will wait longer to determine if the connection is truly lost.
- S51=15** This sets the V.34 symbol rate to 2800 symbols per second and the carrier frequency control to automatic for transmissions. The default would allow 3429 symbols per second, which is likely to lead to more failures and retransmissions.
- S52=15** This does the same as S51 but for the V.34 receive side.
- S55=37** V.34 options are set to enable asymmetric bit rates, and non-linear encoding. It disables asymmetric rates, constellation expansion and receiver pre-encoding.
- S70=20** This extends the maximum number of retransmissions from the default 12 up to 20. Higher values are possible if needed.
- S106=32** The frame size for error correction protocols is set to the minimum 32. The default is the maximum of 128. Use of a small frame size does reduce direct throughput, but gives a more robust connection. This leads to fewer retransmissions and can improve overall throughput in noisy connections that require frequent retransmissions.
- S108=3** Signal Quality is selected to high, meaning that automatic re-training is activated at the most sensitive setting. This means that the modem will re-train on slight changes in line quality. This is intended to keep the rate as high as practical.

The data rate discussion in Section 6.5.1.1 also applies to this type of connection.

6.5.4. Connections to Modem Pools

This scenario is also a best case scenario and it should again be possible to achieve speeds of 19200 – 9600 bps in most circumstances. Modem pools are discussed in Section 6.1.3 above.

The SB320 connection is a cellular one and therefore its pool counterpart will be an ETC-capable modem. This means that the SB320 should be configured in its factory default ETC mode using **AT&F5** as described earlier.

The destination modem’s connection to the pool is a standard landline connection and the remote modem must be configured as such. In this case the destination modem should be configured to support the full array of protocols to give it the best possible options for connecting to the cellular carrier’s modem pool on the landline side.

If any configuration adjustments are to be made, understand that you are either optimizing the connection from the SB320 to the pool modem or from the destination modem to the pool and not directly between the SB320 and the destination.

7. Wireline Operation

7.1. Introduction

Wireline data mode is that most commonly associated with computer communications: the modem is connected via a telephone line. Only the SB320 supports this mode.

This section provides information on configuring and using the SB320 modem in Wireline data mode if you are not using Watcher and Windows Dial-up Networking for your connections. If you are using a standard Windows-based application then consult Section 3.3 Configuration using WirelessExpert.

For details on Wireline Voice operation see Section 8 Voice Operation in CSC and Wireline.

7.1.1. Hardware

To connect the SB320 to a telephone line the 13-pin I/O connector is used. Pins 12 and 13 are the wireline RING and TIP respectively.

For testing purposes, the MIB supports connection of the SB320 to a telephone line with a RJ-11 connector (PSTN). The SB320 I/O connector must also be in place.



CAUTION

*The telephone connection must be to a standard **analogue** telephone line. Locations which have an internal PBX telephone system may use digital telephone lines internally. Digital lines will NOT work with the modem.*

The modem's load number (5B) is noted on the modem's back label.

7.2. Configuring the Modem for Wireline

The modem does not require any special configuration for Wireline mode. The modem is placed in Wireline mode by setting **+WS46=1**.

7.2.1. Connecting to another Wireline Modem or Modem Pool

The factory settings (**&F0**) are fine for wireline operation. The modem will enable all protocols up to V.34. ETC for cellular connections is disabled by default.

7.2.2. Connecting to a Cellular Modem

If the destination modem is on a cellular network, you should familiarize yourself with the considerations discussed in Sections 4.4 and 4.5 on protocols and handshaking. The discussion on CSC in the section above is also worth reading to understand the kinds of issues that can arise.

For these types of connections you should issue the "super" AT command **&F6** which automatically includes additional setup commands as follows:

IN3 Enables V.42 LAPM error control but also allows MNP and will even tolerate a non-error controlled link. This allows for both a direct ETC connection to the destination and a non-ETC connection to a modem pool. A setting of **2** is also possible if you want to disconnect if neither LAPM nor MNP error control can be negotiated.

-K0	This is a companion to the above command indicating a preference for LAPM when using V.42.
*H0	This sets the Link Negotiation Speed for the initial connection to a maximum equivalent to the DTE speed. It will adapt to the speed of the other modem.
S7=120	The Wait for Carrier is set higher than the default 50 seconds to allow for the added time of cellular (and possibly modem pool) connections. This sets the wait to 120 seconds.
S10=100	Lost Carrier Hang-up Delay is set to 10 seconds. The default is 0.6 seconds but cellular links can be interrupted during cell changes and due to other “noise” so the modem will wait longer to determine if the connection is truly lost.
S51=15	This sets the V.34 symbol rate to 2800 symbols per second and the carrier frequency control to automatic for transmissions. The default would allow 3429 symbols per second, which is likely to lead to more failures and retransmissions.
S52=15	This does the same as S51 but for the V.34 receive side.
S55=37	V.34 options are set to enable asymmetric bit rates, and non-linear encoding. It disables asymmetric rates, constellation expansion and receiver pre-encoding.
S70=20	This extends the maximum number of retransmissions from the default 12 up to 20. Higher values are possible if needed.
S96=29	ETC Options are set to enable all features for ETC handshaking except cellular network compensations are not enabled since your end is non-cellular. This includes enabling a fallback to 1200 bps if higher rates cannot be supported. It also enables /ETC to be appended to the CONNECT message.
S106=32	The frame size for error correction protocols is set to the minimum 32. The default is the maximum of 128. Use of a small frame size does reduce direct throughput, but gives a more robust connection. This leads to fewer retransmissions and can improve overall throughput in noisy connections that require frequent retransmissions.

The data rate discussion in Section 6.5.1.1 also applies to this type of connection.

7.3. Originate a Wireline Connection

Watcher (Section 0) can be used to set the modem to Wireline operation. When set, a call can be placed using any modem application which can issue a dial command to the COM port.

Alternatively, Windows Dial-up Networking can be configured to establish a connection. If Dial-up Networking (or any other communication application) is used to setup the modem, the setup string should be:

AT &F0 for calls to a wireline modem destination

– OR –

AT &F6 for calls to a cellular modem destination

You may freely add necessary settings to control the local DTE/DCE interface (echo, verbose, quiet, etc.) without altering the remote connection settings.

7.4. Auto-answer a Wireline Call

Your application can use the SB320 modem just like any other landline modem. The modem setup string should be the appropriate factory setting as indicated in Section 7.3 above. To enable auto-answer add:

AT S0=n where n is the ring count on which the modem will answer the line.

You may freely add necessary settings to control the local DTE/DCE interface (echo, verbose, quiet, etc.) without altering the remote connection settings.

8. Voice Operation in CSC and Wireline

8.1. Introduction

This section provides **preliminary** information for using the voice features added to firmware revision 1.1.2 of the SB320 multi-mode modem. Voice features are implemented for beta testing only at this time. Full FCC and Cellular compliance has been verified but FCC approvals have not yet been received.

The implementation of voice capability in wireline and CSC modes allows the user to place and receive voice calls over the telephone network (PSTN or AMPS). The call uses the airlink or line connected to the modem and the MIC and SPKR signals to carry analogue traffic. This is not a form of digitized voice traffic like some Internet voice applications.

Voice calls can be treated like any landline or cellular call with the SB320 replacing the telephone or cellular handset. The MIC and SPKR signals are used for the local “handset” end. The TIP and RING signals are used for the wireline connection to the PSTN. CSC AMPS calls are connected through the modem / radio components of the SB320.

8.2. Setting Voice Mode

Both wireline and CSC connections can support voice calls. CDPD is specifically a packet data protocol so voice is not supported in that mode.

Register **+WS46** (Modem Operating Mode) controls the modem’s mode. Two new values have been added to set voice modes depending on the type of connection to use.

+WS46=17 sets CSC AMPS Voice mode.

+WS46=18 sets Wireline Voice mode.

Changes into these modes can be made from any other mode.

8.2.1. Command and Register Profiles

The settings of commands and registers are called a profile. The modem can store three profiles. Two profiles are shared by Wireline and CSC modes; a third profile is unique to CDPD mode. Profiles are saved using the **&W** (Write Active Profile) command.

Upon reset or modem initialization, a profile is restored to the modem based on the mode and a selection made with the **&Y** (Profile on Reset) command. Changes to the profile which are not saved are lost on the next initialization. Note that the modem performs an initialization, resetting the profile, whenever the mode is changed to Wireline (**1**) or Wireline Voice (**18**).

The parameters that control the MIC and SKPR settings (described in Section 8.5 below) are **not** part of a saved profile. Future implementations will allow saving the voice control parameters. See Section 8.5 below for details on adjusting these controls.

8.3. Placing a Voice Call

The follow procedure applies to placing voice calls in both Wireline and CSC modes. Where CSC mode is used, the modem must have been configured with a NAM and be registered with the cellular service provider.

To place a call enter the following commands (the **AT** is omitted for brevity):

1. **+WS46=n** where **n** is the mode choice of either **17** for CSC Voice or **18** for Wireline Voice.
2. **Dn** where **n** is the telephone number to dial.

The modem will enable the microphone and speaker, and dial the number. You are considered off-hook (online condition) until you explicitly hang up the call. The modem remains in command state allowing you to enter AT commands to: monitor the RSSI, adjust the microphone sensitivity and speaker volume, and terminate the call.

During the call you can adjust the microphone and speaker levels as described in Section 8.5 below.

See Section 8.6 below for instructions on terminating a call.

8.4. Receiving a Voice Call

Although the modem is capable of receiving and answering voice calls, this is not considered a common procedure.

The follow procedure applies to answering voice calls in both Wireline and CSC modes.

To receive a call enter the following commands (the **AT** is omitted for brevity):

1. **+WS46=n** where **n** is the mode choice of either **17** for CSC Voice or **18** for Wireline Voice.
2. **S0=1** to enable auto-answer. You may set to a value higher than 1 if you would like the modem to go off-hook on a later ring.

The modem is now enabled to answer calls in voice mode. When a call arrives, the modem will display a **RING** message. The RI signal will behave normally: active while receiving a ring and inactive between rings.



NOTE

*If **S0=0**, the modem will still display the **RING** message when a call arrives, but this revision of firmware does not support manual answer. Future implementations will allow manual answer using the **A** (Answer – Manual) command.*

Upon reception of the number of rings specified in register **S0** the modem will go off-hook and enable the microphone and speaker. The modem will remain off-hook (online condition) until you explicitly hang up the call. The modem remains in command state allowing you to enter AT commands to: monitor the RSSI, adjust the microphone sensitivity and speaker volume, and terminate the call.

During the call you can adjust the microphone and speaker levels as described in Section 8.5 below.

See Section 8.6 below for instructions on terminating a call.

8.5. Adjusting MIC and SPKR Levels

The modem has two gain controls for each of the MIC and SPKR signals. A coarse control sets the level of the automatic gain control (AGC). A fine control adds additional resolution.

Setting these levels is achieved with the **+WV** commands noted in the command reference in the next section. Currently there is no way to query these settings but that capability will be added in future revisions of the firmware.

As discussed in Section 8.2.1 above, these settings are not saved with the profile when &W is used. The coarse gain settings are retained until the modem is re-initialized, but the fine gain controls are reset to default with each call. A future revision of firmware will preserve all settings between calls and permit storing the setting profile for recall during modem initialization.

At the time a call is connected, the coarse gain settings are the same as the previous call, and the fine gain settings revert to default. The modem remains in command state during the call allowing changes to the settings as needed.

8.6. Terminating a Voice Call

When a call is connected the modem will remain in the on-line condition (off-hook) until commanded to hang-up with the **H0** (Hook Control) command. If the other end hangs-up (goes on-hook), the modem will remain off-hook and noise will be heard on the SPKR line.

The modem cannot detect a lost voice connection. Only manual disconnection of the call is possible.

9. Troubleshooting

9.1. Introduction

Some solutions to common problems are described here. They are grouped along the lines of the four operations chapters. General problems communicating with the modem in the first section and issues which are specific to particular modes in subsequent sections.

An up to date troubleshooting guide will be available on the Sierra Wireless Internet site at www.sierrawireless.com.

If you cannot resolve a problem after reading this chapter and consulting our web site, please contact the Sierra Wireless help desk at (604) 231-1128 (between 06:00 and 17:00 Pacific Time) or e-mail us at support@sierrawireless.com.

9.2. General Modem Problems

The SB300 Series modems are thoroughly inspected during manufacture. There are no end-user access items within the case or on the circuit boards of the modem. If problems occur, check the following:

Problem Description	Suggestions
WirelessExpert fails to setup Windows Dial-up Networking Connection Watcher fails to locate the modem.	Use the Windows Start > Settings > Control Panel > Modems to install the Sierra Wireless modem.
Modem fails when transmitting. The LED indicator (SB300/320) does not light.	Check that the power source has adequate voltage and current. The modem requires regulated 5 Vdc at 850 mA. If the power is marginal it can be the problem. The SB300 Series modems draw up to 850 mA under maximum power output. The power output is a function of the modem's distance from the Mobile Data Base Station. It is possible for the modem to work well with a particular power supply in a location requiring low power output (low current draw), and yet to fail using the same power supply in a location requiring a high power output. Check the amperage rating of the power supply to verify that it is adequate for all situations. Check the fuse (if any) in the power source and as a final test use a voltmeter to check for an open cable.
Modem disconnects or resets intermittently.	Ensure the DTR signal is not floating or being changed by the host. Set AT&D0 to have the modem ignore DTR. Verify that CSC radio signal strength is sufficient. Weak signals may cause loss of carrier and subsequent disconnection. Use higher values in register S10 (Lost Carrier Hang-up Delay).
AT commands are sent to configure the modem but the modem does not use the settings when running an application.	Verify that the application does not send its own modem setup commands after you have configured the modem. If it does, then either disable the feature or set your configuration in the application's setup string.

9.3. General Communication Problems

Problem Description	Suggestions
Fails to respond to AT command.	Verify that you are using the correct COM port and communication parameters (speed, data bits, parity, etc.) Verify the serial cable connections. Verify the modem is powered on and allow for 10 seconds initialization time. Try typing the command ATE1Q0 . This will enable the modem echo of your keystrokes (in following commands) and disable the quiet mode (suppression of return codes). Try typing AT&F . This restores factory defaults. Try resetting the modem.
Data is intermittently lost during the connection.	Ensure that proper flow control is being used at all connections. If UDP is used, remember that data loss is inherent in the design. Implement a positive acknowledge and timeout scheme at the application level with re-transmissions as needed. If the connection is CSC mode, try setting a slower data rate (register S37).

9.4. CDPD Problems

This table lists problems specifically related to CDPD use.

Problem Description	Suggestions
Fails to lock onto a CDPD channel.	Make sure that the antenna is connected correctly. Check that you are in the CDPD coverage area, or that your immediate location is not preventing the radio/modem from receiving a signal, e.g., you are in an area of weak signal strength.
Fails to register on a CDPD channel.	Make sure the NEI and side designator are configured correctly. Make sure you are using the correct registration mode (auto or manual) and are issuing the registration command if using manual registration. If ATH1 was issued, the modem will not resume auto-registration until the modem is reset or the command AT+WS173=1 is issued to re-enable auto-registration. Check that the correct NEI is being used (Active or Auto-register NEI Indices) and the SPNI table. An incorrect value will prevent registration even in areas with strong signals. Erase the SPNI table if necessary. Check with your CDPD service provider to confirm that your account is activated. You may need to reset your credentials.
Registers but data transfer fails.	Check that the host serial cable is properly attached. There may be a flow control problem.
Slow response from the CDPD network.	The CDPD network may be congested with heavy use. No user action can alleviate this problem. Retry your connection later.

CDPD Problems (Continued)

Problem Description	Suggestions
Watcher reports: CDPD ras connection is not running.	Close all communication applications, then close and restart Watcher.
Watcher reports a good connection and you are registered to a CDPD network however your Internet Web Browser can never find sites.	Make sure the DNS entry in Dial-up Networking is correct. This is the IP address of the Internet Domain Name Server responsible for converting site names into Internet Protocol (IP) addresses. Without the correct IP of a name server your browser cannot locate web sites.

9.5. CSC Problems

This table lists problems specifically related to CSC use.

Problem Description	Suggestions
Fails to acquire a Cellular channel.	Make sure that the antenna is connected correctly. Check that you are in the cellular coverage area, or that your immediate location is not preventing the radio/modem from receiving a signal, e.g., you are in an area of weak signal strength.
Acquires a channel but cannot place a call.	Make sure the NAM and side designator are configured correctly. Check that the correct NAM is being used (Active NAM Index). Check with your Cellular service provider to confirm that your account is activated. If the cellular network becomes congested due to heavy cellular user traffic, you may not be able to establish a connection. No user action can alleviate this problem. You will have to retry your connection later.

9.6. Wireline Problems

This table lists problems specifically related to wireline use.

Problem Description	Suggestions
The Speaker on the MIB is excessively noisy.	The modem was in CDPD mode and changed to Wireline. When this mode change was done, the cellular radio was not powered off. Power cycle the modem to ensure the radio is off.
The modem does not go off-hook to place or answer calls or intermittently disconnects.	Verify the telephone cable connections at both ends. You may need to attach a handset to the line to verify that the PSTN service is active and connections are clear (free of noise, interference, tones, etc.). Additionally see the following symptoms and suggestions.
The modem does not go off-hook to answer incoming calls.	Verify the auto-answer is enabled (register S0).

Wireline Problems (continued)

Problem Description	Suggestions
The modem does not go off-hook and begin dialing.	Verify the duration of DTMF tones (register S11) is sufficient to break dial tone. Verify the telephone line is analogue and not digital.
The modem won't recognize the local dial tone.	Disable the dial tone detection using ATX0 or ATX1 . Ensure the setting of Wait For Blind Dial (S6) is sufficiently long.
Modem intermittently disconnects.	Ensure the telephone line does not support call waiting. If it does then disable the feature. Consult your local telephone company to determine how this is done.

The Hardware View

10. Product Descriptions

The SB300 Series modems are designed for integration into devices that require wireless communications such as PC's, portable and handheld devices, metering and monitoring equipment, and point of sale terminals.

All models provide CDPD V1.1 19.2 kbps communication. The SB320 also supports Circuit Switched Cellular (CSC-AMPS) V.34 data rates to 16.8 kbps, and wireline (PSTN) V.34 data rates to 33.6 kbps.

Packet Assembly / Disassembly (PAD) services are available in the modem for TCP and UDP communications. SLIP and PPP are also supported for host based protocol stacks.

This chapter provides descriptions and specifications for the family. Individual modems are described in separate sections below. All connector parts described are tabulated with mating part numbers and supplier contact information in Section 10.2.4 below.

The SB300 and SB320 share common physical and interface characteristics.

10.1. Hardware Integration Considerations

When integrating one of the SB300 Series modems, read Sections 10.2 Specifications Common to All Modems, and then the specific section for the model being integrated.

In addition, the following items need to be addressed by the integrator:

Mounting

- Effects of shock and vibration.
- Protection from dust and dirt in connections.
- Heat dissipation.

RF

- Shielding and filtering, and impacts on interference and sensitivity.
- Antenna location and type, and impacts on RF performance.

Regulatory Approvals

Although the modems were tested on their own to be compliant with FCC Parts 15 and 22, your completed installation must be certified to meet regulatory requirements in your area.

In the USA

To use the modems in the United States of America without additional FCC certifications you must:

1. Use an antenna providing a total system ERP (effective radiated power) not exceeding 1.5 watts for operations with the antenna located at more than 20 cm from all persons. If the system exceeds 1.5 watts ERP then separate submissions to the FCC are required.
2. Place a warning label on the antenna (if stand-alone) or attached to the final product visible to all persons exposed to the transmitter (if the antenna is integral with the final product). This label must state:

“WARNING:

While this device is in operation, a separation distance of at least 20cm must be maintained between the radiating antenna and the body of all persons exposed to the transmitter to meet FCC exposure guidelines.”

3. The word “WARNING” should be placed in front of or above the warning statement included in documentation and also in the actual warning label on the antenna or final product.

This warning label is not required when Specific Absorption Rate (SAR) compliance of a final product configuration is approved through a separate FCC equipment authorization approval. Otherwise, the warning label is required on the antenna or final product in order to meet separating distance requirements to satisfy the FCC RF exposure requirements.

Product documentation should include warnings and disclaimers. Sierra Wireless strongly recommends including warnings similar to those found on pages i and ii of this Guide. The following warnings must appear in a prominent location:

The equipment certifications appropriate to your device are marked on the device and the accompanying product specific information. Where appropriate, the use of the equipment is subject to the following conditions:

**CAUTION**

Unauthorized modifications or changes not expressly approved by Sierra Wireless, Inc. could void compliance with regulatory rules, and thereby your authority to use this equipment.

**WARNING (EMI) - United States FCC Information**

This equipment has been tested and found to comply with the Class B limits pursuant to Part 15 of the FCC Rules. These limits are designed to provide reasonable protection against harmful interference in an appropriate installation. This equipment generates, uses, and can radiate radio frequency energy and, if not installed and used in accordance with the instructions, may cause harmful interference to radio communication. However, there is no guarantee that interference will not occur in a particular installation. If this equipment does cause harmful interference to radio or television reception, which can be determined by turning the equipment off and on, the user is encouraged to try to correct the interference by one or more of the following measures:

- *Reorient or relocate the receiving antenna*
- *Increase the separation between the equipment and receiver*
- *Connect the equipment into an outlet on a circuit different from that to which the receiver is connected*
- *Consult the dealer or an experienced radio/TV technician for help*

**WARNING – FCC RF Exposure Guidelines**

While this device is in operation, a separation distance of at least 20cm must be maintained between the radiating antenna and the body of all persons exposed by the transmitter to meet FCC exposure guidelines.

This transmitter is only approved to operate with an antenna not exceeding 1.5 watts total system ERP (effective radiated power) for operations with the antenna located at more than 20 cm from all persons. The warning label must be displayed at the base of the antenna (if stand-alone) or attached to the final product (if the antenna is integral with the product), clearly visible to all persons exposed to the transmitter.

10.2. Specifications Common to All Modems

The following specifications provide information on all SB300 Series modems.

10.2.1. Application Interface Specifications

Serial Interface (DTE)	19200 bps (current firmware R1.1.x) 300 – 57,600 bps in CDPD via +IPR command (auto-baud support in future firmware)
SLIP Interface	RFC1055
PPP Interface (future firmware)	RFC1661, RFC1662, RFC1332 (not yet implemented)
AT-Command Interface	Hayes Compatible with PCCA Wireless Extensions
UDP PAD Interface	PCCA STD-101 Compliant
TCP PAD Interface	PCCA STD-101 Compliant
Object Management Interface	Sierra Wireless Inc. Proprietary

10.2.2. Special Features

Feature	Benefit
Sleep Mode	Reduces current drain for improved battery life.
TCP and UDP PAD Ping Reply	Confirm network connectivity to the modem.
Broadcast Message Support	Broadcast to all modems in geographic area.
TCP Session Time-out	Permits reconnection of failed TCP session.
“Friends-only” modem access	Provides device security.
AutoDial at Startup	Modem automatically establishes communications.
Software-controlled Reboot	Quick problem recovery.
Autobaud	Flexible interface
MultiCast	Broadcast to defined subset of all modems.
Configurable Listening Port	Modem can listen on any port the host prefers.
Escape from PAD modes	Non-DTR controlled Escape.

10.2.3. Environmental Specifications

	SB300	SB320
Operating Temp.	-30 to +60°C	-30 to +60°C
Storage Temp.	-40 to +85°C	-40 to +85°C
Humidity	5% to 95% non-condensing	5% to 95% non-condensing
Vibration	Operational: IS-19C Survivability: Mil-STD202	Operational: IS-19C Survivability: Mil-STD202
Shock	1 metre drop to a hard surface	1 metre drop to a hard surface

10.2.4. Connector Part Numbers

This section summarizes the parts used, their mating parts, and identifies the suppliers so that you can acquire the needed connectors for the host equipment / accessories.

10.2.4.1. Antenna Connector

All models of the SB300 Series use the same MMCX type antenna connector.

Modem:	Huber & Suhner 85 MMCX-50-0-1	Female
Suggested Antenna Cable Connectors:	Huber & Suhner 11 MMCX-50-1-1 Straight plug for RG 178 B/U	Male
	Huber & Suhner 16 MMCX-50-1-1 Right angle plug for RG 178 B/U	Male

Huber & Suhner can be contacted via www.hubersuhner.com.

10.2.4.2. SB300 and SB320 Host (DTE) Connectors

The SB300 and SB320 both use a 30-pin ZIF connector with 0.5mm pin spacing for the host serial connection. The connection is made using a 30-pin 0.5mm pitch Flat Flex Cable. The host end of the cable can be connected as suits your needs.

SB300 / 320 Modems:	Hirose FH12-30S-0.5SH
---------------------	-----------------------

Hirose can be contacted via www.hiroseusa.com.

The Cable can be obtained from several suppliers including:

Axon Cable (www.axoncable.com) 847-699-8822
 Parlex Corp
 Fujikura America, Inc. (www.fujikura.com) 619-613-6600

Suggested pdA number FFC0-50A30/043L440B0BSB

- 0.5 mm pitch
- 30 conductor
- 51 mm LOA

SB320 Wireline Connector

The SB320 has an additional wireline connector for connection to the telephone network via the host. This is a 13-pin I/O connector.

SB320 Modem:	ITT-Cannon CA112112-1	Male
Host Wireline Connection:	Contact ITT-Cannon	Female

ITT-Cannon can be contacted via www.ittcannon.com.

Small quantities of these mating components may be obtained from Sierra Wireless, Inc. Contact Sales at 604-231-2100 or sales@sierrawireless.com.

10.3. SB300 CDPD Modem

Part number 1100034

10.3.1. Mechanical

10.3.1.1. Physical Description

The SB300 comes in a Type III package, and includes a 30-pin, 0.5mm pitch ZIF connector for the host interface, a MMCX connector for the antenna, and a status LED. Dimensions (in mm) are as follows:

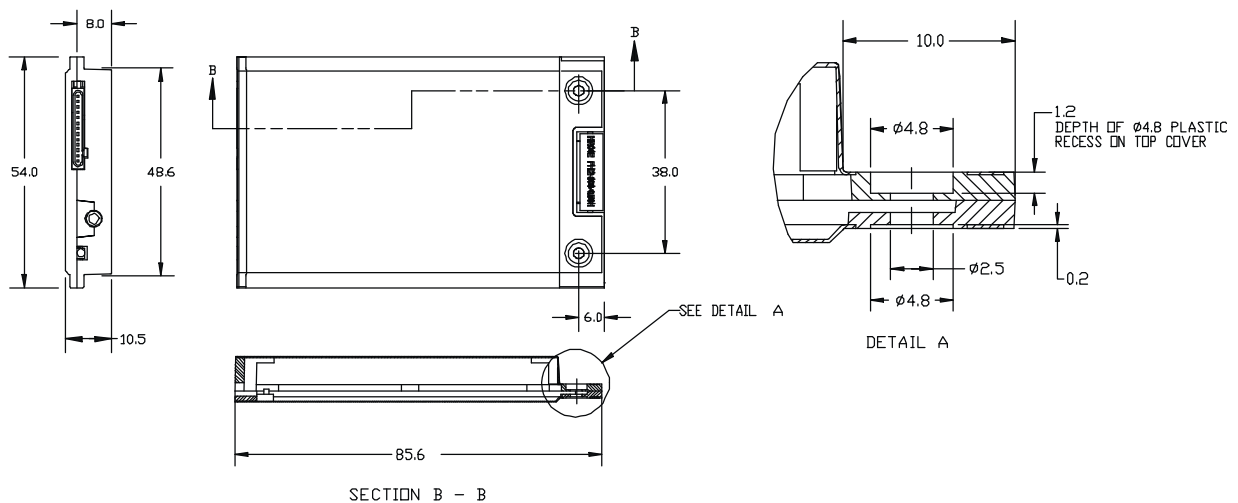
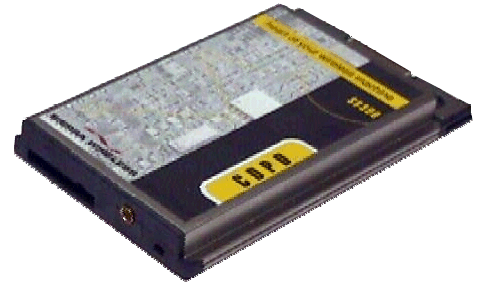


Figure 10-1: SB300 Physical Dimensions [mm].

10.3.1.2. Mounting

The SB300 uses an industry standard Type III frame-kit, and as such will fit into PC Card rails. Alternatively, two clips or a bracket may be used to secure the module. There are also two mounting holes provided on either side of the ZIF serial connector.

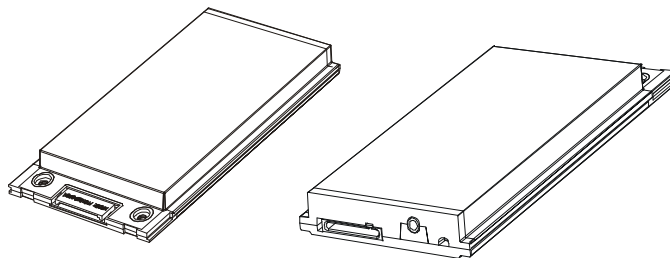


Figure 10-2: SB300 Package Views.


10.3.2. Connectors

See Section 10.2.4 for part number and manufacturer contact details on all connections.

10.3.2.1. Antenna Connector

The SB300 provides an MMCX type RF connector for the antenna connection. For proper matching the antenna should be 50 ohms with a return loss of 10 dB or better between 824 - 894 MHz. System antenna gain should be 0 dB.

New production units will include support for the future Sierra Wireless booster product. This support means that extra care is required when connecting the antenna output to test equipment.

	<p>CAUTION</p> <p><i>In cases where the antenna output is to be connected to test equipment, DC blocks must be used on the antenna output to protect the test equipment and avoid false booster detection..</i></p>
---	--

10.3.2.2. Host (DTE) Connector

The SB300 provides a single 30-pin ZIF connector with 0.5mm pin spacing. An appropriate Flat Flex Cable is required to make the connection to the host.

10.3.3. Power Specifications

The SB300 requires +5V DC provided on pins 23-24, and ground provided on pins 23-28. Electrical requirements and current specifications are identified below.

Power-up timing for the modem requires that power ramp up at a minimum rate of 0.05 V/ms within a maximum of 100ms. The ramp up should be graceful and linear (monotonic).

Table 10-1: Power and Current Specifications

Power Supply Requirements	+5V DC $\pm 5\%$ Maximum noise DC to 100 kHz: 10 mV _{pp}
Current Drain	Deep Sleep: 12 mA Sleep: 16 mA Receive: 150 mA Transmit (Full Power): 850 mA

Note: Early production units used different internal components and may require 20 mA more than noted above while in receive modes. The command **ATI6** will report the hardware revision. Units prior to 0062 use the higher current level.

10.3.4. Heat Dissipation

The figures below indicate excess power dissipation beyond that radiated by the antenna.

Table 10-2: Power Dissipation Specifications

CDPD Transmitting at Maximum Power	3.65 Watts
CDPD Sleep	325 mW
Logic Sleep	110 mW
Logic Deep Sleep	85 mW

10.3.5. RF Features

Transmitter Power	nominal 600 mW into 50 Ω
Transmitter Performance	Meets or exceeds CDPD V1.1 Section 405 FCC, Industry Canada, IS19B/C
Receiver Sensitivity	-108dBm 5% BLER

10.3.6. Electrical

10.3.6.1. Host (DTE) Interface

The SB300 provides a single 30-pin ZIF connector with 0.5mm pin spacing. This connector provides four interfaces:

4. Serial host interface
5. Modem control interface
6. Power
7. Status line interface

The connector pinouts are specified in Table 10-3, and electrical characteristics are specified in Table 10-4 Serial Interface Electrical Characteristics. Signal types are with respect to the modem (DCE).

Table 10-3: Host Interface Connector Pinouts

Pin Number	Pin Label	Type	Description
1	\DCD	Output	Data Carrier Detect
2	RxD	Output	Receive Data
3	TxD	Input	Transmit Data
4	\DTR	Input	Data Terminal Ready
5	GND	Ground	Ground
6	\DSR	Output	Data Set Ready
7	\RTS	Input	Ready To Send
8	\CTS	Output	Clear To Send
9	\RI	Output	Ring Indicator
10	\RESET	Input	Hardware Reset
11	Reserved		Leave unconnected
12	\SHDN	Input	Graceful modem shutdown.
13	\STATUS_OUT1	Output	Power + RF Channel Status
14	\STATUS_OUT2	Output	Transmitter Key
15	\STATUS_OUT3	Output	Power Down OK
16	STATUS_IN1	Input	
17	STATUS_IN2	Input	
18	STATUS_IN3	Input	
19	STATUS_IN4	Input	
20 – 22	Unused		Allowed to float
23 – 24	VBAT	Input	+5V
25 – 28	GND	Ground	Ground
29	Unused		Allowed to float
30	Reserved		Leave unconnected

Table 10-4: Serial Interface Electrical Characteristics

Characteristic	Min.(V)	Max.(V)
Input Low Voltage	-0.3	0.8
Input High Voltage	2.5	5.0
Output High Voltage (I _{oh} =400 μ A)	2.4	–
Output Low Voltage (I _{ol} =3.2 mA)	–	0.5

Serial Port Interface

The serial port pins comprise a standard set of serial data and handshaking lines. All signals are negative assertion, HCMOS logic compatible. These signals must be terminated properly if they are not used. Unused input signals must be pulled to the appropriate in-active state through a resistor (10k). Unused output signals may be left unterminated. If a signal may have use as an input or an output (I/O) then treat it as an input for termination purposes.

Hardware handshaking should be enabled using \CTS and \RTS as the primary flow control signals. The remaining handshaking lines (\DCD, \DTR, \DSR, and \RI) are, strictly speaking, not needed; however they are desirable for TCP/IP stack usage and are supported for any applications that may require them.

Operation in each mode is as follows:

- **\RTS, \CTS**
Used as standard hardware flow control lines.
- **\DTR**
Indicates to the modem that the host device is active. This line may also be configured to switch the modem from data to command state or reset the modem (**AT&D**), and to enable host wake-up. See the \RI description below.
- **\DCD**
Is asserted while online with an active session.
- **\DSR**
Always active when the modem is on; it is tied to logic GND.
- **\RI**
Using UDP or TCP packet service in CDPD, \RI toggles with a 1s on : 4s off duty cycle when there is data for the host or a TCP connection request. If \DTR is inactive (high), the \RI signal will go active through three cycles; otherwise it will go active once only. This is repeated for each incoming packet or connection request until a session is opened. This signal may be used to wake-up the host.

The serial port should be configured for 8-data bits, no parity bits, and 1-stop bit. Although the current firmware release (R1.0.1) is fixed at 19200 bps, the eventual default DTE configuration will auto-baud to the host serial baud rate (based on speed of the 'A' in an AT command). Host data rates of up to 115,200 bps will be supported. AT commands may be used to fix the baud rate from 110 bps to 115,200 bps.

In command state, a terminal emulation program may be used to communicate with the modem and change the configuration.

Modem Control Interface

Modem control is comprised of two inputs:

1. **\SHDN: Graceful Shutdown**

This is an active low input.

When activated this signal instructs the modem to de-register from the network, and power down. When this activity is completed the \STATUS_OUT3 line is driven low (on) indicating to the host that power may be safely removed from the device.

The purpose of this process is to prevent corruption of the data in non-volatile memory. There is CDPD network housekeeping which goes on transparent to the user. Removing power or resetting arbitrarily can corrupt this data. When the \SHDN signal is detected, the modem will complete all housekeeping and send the de-register message to the network before asserting \STATUS_OUT3.

Timing between the assertion of \SHDN and the reply on \STATUS_OUT3 can range from a minimum of 20ms and a maximum of 2 seconds. The signal is polled at intervals of 1 second. Aspects of network traffic at the time the signal is detected also determine the timing for a given situation.

The modem *must* be powered down or reset before it is again ready for use.

2. **\RESET:** Hardware Reset

This is a hardware reset of the modem. This input should be externally pulled high and driven low for at least 100ms to reset.

Status Signal Interface

Status Outputs

There are three status outputs provided. These are active low and defined as follows:

1. **\STATUS_OUT1:** Power, RF Channel Status
 - Permanently low (on) when power is on but no CDPD channel is visible. This output is high (off) when the modem goes into CDPD sleep.
 - Pulses low (on) once per second with 10% duty cycle (100ms on : 900ms off) if the modem is locked onto a CDPD channel.
 - Pulses low (on) twice per second with 10% duty cycle (100ms on : 100ms off : 100ms on : 700ms off) if modem is registered on a CDPD channel.
2. **\STATUS_OUT2:** Transmitter Key
 - Low (on) when the transmitter is keyed.
3. **\STATUS_OUT3:** Power Down OK
 - When low (on), this indicates it is safe to remove power to the modem or issue a reset. This works in concert with the \SHDN signal noted above.

Status Inputs

There are four TTL-level status input lines provided. There are currently no features that use these inputs. They are managed within the modem and may be left floating.

10.4. SB320 Specifications

Part number 1100033

10.4.1. Mechanical

10.4.1.1. Physical Description

The SB320 comes in a Type III package, and includes a 30-pin, 0.5mm pitch ZIF connector for the host interface, a 13-pin I/O connector for the wireline interface, a MMCX connector for the antenna, and a status LED. Dimensions in millimetres are as follows:

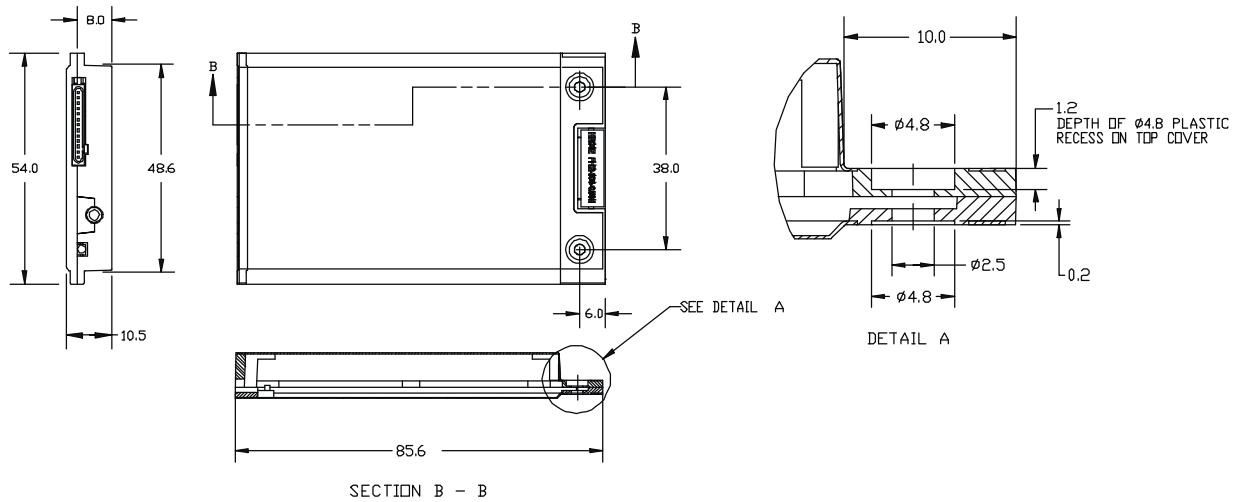


Figure 10-3: SB320 Physical Dimensions [mm].

10.4.1.2. Mounting

The SB320 uses an industry standard Type III frame-kit, and as such will fit into PC Card rails. Alternatively, two clips or a bracket may be used to secure the module. There are also two mounting holes provided on either side of the ZIF serial connector.

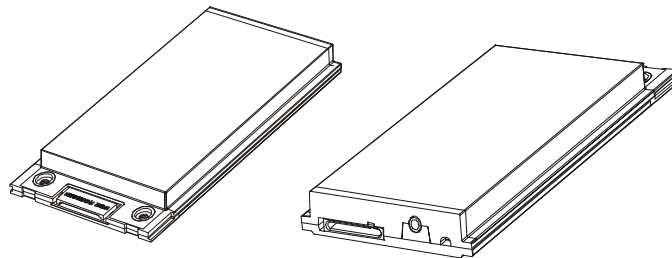


Figure 10-4: SB320 Package Views.

10.4.2. Connectors

See Section 10.2.4 for part number and manufacturer contact details on all connections.

10.4.2.1. Antenna Connector

The SB320 provides an MMCX type RF connector for the antenna connection. For proper matching the antenna should be 50 ohms with a return loss of 10 dB or better between 824 - 894 MHz. System antenna gain should be 0 dB.

10.4.2.2. Host (DTE) Connector

The SB320 provides a single 30-pin ZIF connector with 0.5mm pin spacing. An appropriate Flat Flex Cable is required to make the connection to the host.

10.4.2.3. Wireline Connector

The SB320 provides a single 13-pin I/O connector next to the antenna connector on the side opposite the host (DTE) connector. This connector may require custom cabling.

The SB320 PSTN Load Number (5B) is shown on the back label.

10.4.3. Power Specifications

The SB320 requires +5V DC provided on pins 23-24, and ground provided on pins 23-28. Electrical requirements and current specifications are identified below.

Power-up timing for the modem requires that power ramp up at a minimum rate of 0.05 V/ms within a maximum of 100ms. The ramp up should be graceful and linear (monotonic).

Table 10-5: Power and Current Specifications

Power Supply Requirements	+5V DC \pm 5% Maximum noise dc to 100 kHz: 10 mV _{pp}
Current Drain Wireline Mode	220 mA
Current Drain CSC Mode	Receive: 220 mA Transmit (Full Power): 850 mA
Current Drain CDPD Mode	Deep Sleep: 35 mA Sleep: 45 mA Receive: 220 mA Transmit (Full Power): 850 mA

10.4.4. Heat Dissipation

The figures below indicate excess power dissipation beyond that radiated by the antenna.

Table 10-6: Power Dissipation Specifications

CDPD and CSC Transmitting at Maximum Power	3.65 Watts
CDPD Logic Sleep	215 mW
Logic Deep Sleep	175 mW
CSC idle (receive)	1.25 Watts
Wireline	1.1 Watts

10.4.5. RF Features

Transmitter Power	nominal 600 mW into 50 Ω
Transmitter Performance	Meets or exceeds CDPD V1.1 Section 405 FCC, Industry Canada, IS19B/C
Receiver Sensitivity	Data: -108dBm 5% BLER Voice: -116dBm 12dB SINAD

10.4.6. Electrical

10.4.6.1. Host (DTE) Interface

The SB320 provides a single 30-pin ZIF connector with 0.5mm pin spacing. This connector provides four interfaces:

1. Serial host interface
2. Modem control interface
3. Power
4. Status line interface

The connector pinouts are specified in Table 10-7, and electrical characteristics are specified in Table 10-8 Serial Interface Electrical Characteristics. Signal types are with respect to the modem (DCE).

Table 10-7: Host Interface Connector Pinouts

Pin Number	Pin Label	Type	Description
1	\DCD	Output	Data Carrier Detect
2	RxD	Output	Receive Data
3	TxD	Input	Transmit Data
4	\DTR	Input	Data Terminal Ready
5	GND	Ground	Ground
6	\DSR	Output	Data Set Ready
7	\RTS	Input	Ready To Send
8	\CTS	Output	Clear To Send
9	\RI	Output	Ring Indicator
10	\RESET	Input	Hardware Reset
11	Reserved		Leave unconnected
12	\SHDN	Input	Graceful modem shutdown.
13	\STATUS_OUT1	Output	Power + RF Channel Status
14	\STATUS_OUT2	Output	Transmitter Key
15	\STATUS_OUT3	Output	Power Down OK
16	STATUS_IN1	Input	
17	STATUS_IN2	Input	
18	STATUS_IN3	Input	
19	STATUS_IN4	Input	
20 – 22	Unused		Allowed to float
23 – 24	VBAT	Input	+5V
25 – 28	GND	Ground	Ground
29	Unused		Allowed to float
30	Reserved		Leave unconnected

Table 10-8: Serial Interface Electrical Characteristics

Characteristic	Min.(V)	Max.(V)
Input Low Voltage	-0.3	0.8
Input High Voltage	2.5	5.0
Output High Voltage (I _{oh} =400 μ A)	2.4	–
Output Low Voltage (I _{ol} =3.2 mA)	–	0.5

Serial Port Interface

The serial port pins comprise a standard set of serial data and handshaking lines. All signals are negative assertion, HCMOS logic compatible. These signals must be terminated properly if they are not used. Unused input signals must be pulled to the appropriate in-active state through a resistor (10k). Unused output signals may be left unterminated. If a signal may have use as an input or an output (I/O) then treat it as an input for termination purposes.

Hardware handshaking should be enabled using \CTS and \RTS as the primary flow control signals. The remaining handshaking lines (\DCD, \DTR, \DSR, and \RI) are, strictly speaking, not needed; however they are desirable for TCP/IP stack usage and are supported for any applications that may require them.

Operation in each mode is as follows:

- **\RTS, \CTS**
Used as standard hardware flow control lines.
- **\DTR**
Indicates to the modem that the host device is active. This line may also be configured to switch the modem from data to command state or reset the modem (**AT&D**), and to enable host wake-up. See the RI description below.
- **\DCD**
Is asserted in CDPD mode while online with an active session. Behaviour options in CSC and Wireline modes are set with the command **AT&C**.
- **\DSR**
Always active when the modem is on; it is tied to logic GND.
- **\RI**
In Wireline and CSC modes, this line toggles when there is an incoming call (the telephone is ringing).
In CDPD mode, using UDP or TCP packet service, \RI toggles with a 1s on : 4s off duty cycle when there is data for the host or a TCP connection request. If \DTR is inactive (high), the \RI signal will go active through three cycles; otherwise it will go active once only. This is repeated for each incoming packet or connection request until a session is opened. This signal may be used to wake-up the host.

The serial port should be configured for 8-data bits, no parity bits, and 1-stop bit. Although the current firmware release (R1.0.1) is fixed at 19200 bps, the eventual default DTE configuration will auto-baud to the host serial baud rate (based on speed of the 'A' in an AT command). Host data rates of up to 115,200 bps will be supported. AT commands may be used to fix the baud rate from 110 bps to 115,200 bps.

In Circuit-Switched mode data state and any mode's command state, a terminal emulation program may be used to communicate with the modem and change the configuration.

Modem Control Interface

Modem control is comprised of two inputs:

1. **\SHDN: Graceful Shutdown**

This is an active low input.

When activated this signal instructs the modem to de-register from the network, and power down. When this activity is completed the \STATUS_OUT3 line is driven low (on) indicating to the host that power may be safely removed from the device.

The purpose of this process is to prevent corruption of the data in non-volatile memory. There is CDPD network housekeeping which goes on transparent to the user. Removing power or resetting arbitrarily can corrupt this data. When the \SHDN signal is detected, the modem will complete all housekeeping and send the de-register message to the network before asserting \STATUS_OUT3.

Timing between the assertion of \SHDN and the reply on \STATUS_OUT3 can range from a minimum of 20ms and a maximum of 2 seconds. The signal is polled at intervals of 1 second. Aspects of network traffic at the time the signal is detected also determine the timing for a giving situation.

The modem *must* be powered down or reset before it is again ready for use.

2. **\RESET: Hardware Reset**

This is a hardware reset of the modem. This input should be externally pulled high and driven low for at least 100ms to reset.

Status Signal Interface

Status Outputs

There are three status outputs provided. These are active low and defined as follows:

1. **\STATUS_OUT1: Power, RF Channel Status**

- Permanently low (on) when power is on but no cellular channel is acquired. This output is high (off) when the modem goes into CDPD sleep.
- Pulses low (on) once per second with 10% duty cycle (100ms on : 900ms off) if the modem has acquired a cellular channel.
- Pulses low (on) twice per second with 10% duty cycle (100ms on : 100ms off : 100ms on : 700ms off) if modem is registered on a CDPD channel.

2. **\STATUS_OUT2: Transmitter Key**

- Low (on) when the transmitter is keyed.

3. **\STATUS_OUT3: Power Down OK**

- When low (on), this indicates it is safe to remove power to the modem or issue a reset. This works in concert with the \SHDN signal noted above.

Status Inputs

There are four TTL-level status input lines provided. There are currently no features that use these inputs. They are managed within the modem and may be left floating.

10.4.6.2. Wireline and Voice Interface

The SB320 provides a 13-pin I/O connector for its wireline interface to the PSTN and for the voice mode connections to a microphone and speaker (headset or handset). The connector is positioned on the opposite end of the housing from the serial host (DTE) connector. This connector provides these interfaces:

1. Telephone Line Interface
2. Voice Feature Interface
3. Status Outputs 1 and 2

The connector pinouts are specified in Table 10-9. Specific configuration detail for the different interfaces follow. Signal types are with respect to the modem (DCE).

Table 10-9: Pinout of Wireline and Voice Connector

Pin number	Signal Name	Type	Description
1	Reserved		Leave Unconnected
2	SPKR-	Output	Speaker Interface negative
3	SPKR+	Output	Speaker Interface positive
4	MIC+	Input	Microphone Interface positive
5	MIC-	Input	Microphone Interface negative
6 – 7	Reserved	Input	Leave Unconnected
8	\STATUS_OUT1	Output	Power + RF Channel Status
9	\STATUS_OUT2	Output	Transmitter
10	GROUND	Ground	Signal Ground
11	Reserved		Leave Unconnected
12	RING	Input	Wireline Connection
13	TIP	Input	Wireline Connection

Voice Feature Interface

Speaker Output

The speaker output is a differential signal used to interface to a speaker amplifier, headset, or handset. The output signal is AC-coupled through 4.7 μ F capacitors.

The table below co-relates the output voltage with some sample gain settings.

AT+WVRAGC=	AT+WVRVL=	Output Voltage (mV _{p-p})
3	9	28 – 190
2	9	24 – 160
7	9	7 – 20

In circuit-switched and wireline data modes this signal is used to indicate call progress.

Microphone Input

The microphone input is a differential signal used to interface to an electret microphone for voice applications. The input signal is under a 4.71 k Ω load. Nominal input is 9 mV_{p-p}. Higher input levels, up to 100 mV_{p-p}, can be used with the gain control settings near their minimum:

+WVXAGC=4 and **+WVXVL=1**.

For developers who desire a single-ended microphone input, the MIC- signal can be connected to GND.

Telephone Line Interface

PSTN Line Connection

The telephone line interface consists of two signals: TIP and RING. These two lines should be routed via a twisted-pair wire to a panel-mounted RJ-11 connector. The PSTN Load Number (5B) is noted on the back label of the modem.

Note that it provides connection to analogue telephone lines only. Connection to digital PBX lines is not supported.

Status Outputs

These signals are the status outputs from the host interface brought out on the wireline/voice connector. They are duplicates of the signals described in Section 10.4.6.1 above.

10.4.7. SB320 Communication Mode Specifications

10.4.7.1. Wireline Specifications

Wireline Data	CCITT V.34: 33600 – 2400 bps CCITT V.32 <i>bis</i> : 14400, 12000, 7200 bps CCITT V.32: 9600, 4800 bps CCITT V.22 <i>bis</i> : 2400 bps CCITT V.22: 1200 bps CCITT V.21: 300 bps Bell 212A/103: 1200, 300 bps V.42 error correction (LAPM and MNP) V.42 <i>bis</i> and MNP5 data compression
Wireline Voice	

10.4.7.2. Circuit-Switched Data Specifications

CSC Data	CCITT V.34: 16800 – 2400 bps CCITT V.32 <i>bis</i> : 7200 bps CCITT V.32: 9600, 4800 bps CCITT V.22 <i>bis</i> : 2400 bps CCITT V.22: 1200 bps CCITT V.21: 300 bps Bell 212A/103: 1200, 300 bps V.42 error correction (LAPM and MNP) V.42 <i>bis</i> and MNP5 data compression ETC
CSC Voice	EIA/IS-19-B
CSC General	IS-91 (future firmware revision)

10.4.7.3. CDPD Specifications

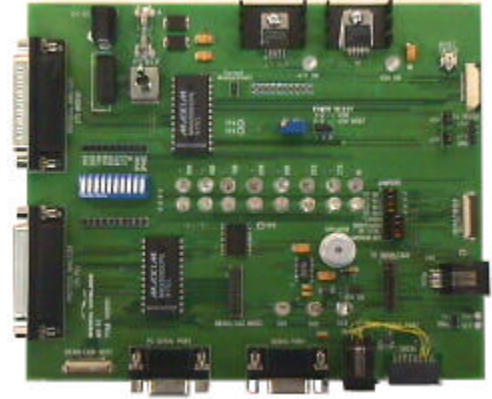
CDPD Version	CDPD 1.1
--------------	----------

11. Multipurpose Interface Board

11.1. Introduction

The Multipurpose Interface Board (MIB) is a development aid to facilitate testing and configuration of the SB300 Series modems by allowing communication using a standard RS-232 serial connection. It also provides monitoring LEDs, test points, connections for a protocol analyzer, and connections for wireline (PSTN) hookup.

There is also support for the SB220 and SB301/302 modems. These supports are provided for factory level testing only and are beyond the scope of this document.



NOTE

*Although the MIB provides support for the full SB Series of modems, it is not intended to support more than **one modem at a time**. Attaching more than one modem can damage circuitry.*

For a quick initial setup go to Section 11.8. To get a fuller understanding of the board's connections and capabilities sections are provided as follows:

- Section 11.2 Board Description with schematic and parts layout reference.
- Section 11.3 Power Supply including voltage control and supplying power from a host device.
- Section 11.4 Connections describing the various host, modem, and analyzer connectors.
- Section 11.5 Jumpers details options and setups.
- Section 11.6 Serial Breakout Box describes cross wiring correction and signal checking
- Section 11.7 Test Points identifies what is offered and where to find it

11.1.1. Features

The MIB offers these features:

- Supports SB220, SB300, SB302, SB320
- RS232 to 5V HCMOS conversion
- Interception of 5V HCMOS control signals from host to modem to verify syntax and levels
- Intercepted signals are converted to RS-232 for observation by standard serial port
- Supports wireline access
- Serial port breakout box to resolve cabling difficulties
- Serial port status LEDs
- Status line LEDs and pullup/down
- Current, DISC and KEY test points
- Reset button for SB300 and SB320
- Annunciator to hear dial tones
- Comm Analyzer connectors - 25 pin protocol analyzer
- Uses wall adapter for power

11.2. Board Description

11.2.1. Schematic

See the following two insert pages.

11.2.2. Parts Layout

See the third following insert page.

11.3. Power Supply

The MIB requires a 12V DC, 1 Amp power supply. An AC adapter (part number 1900000) is provided with the OEM Developer's Toolkit.

This power is converted by the MIB into the 5V (and 7V for the SB220) supply needed by the modems. It is not designed to support more than one modem connected to the MIB at any time.

There is a power switch on the MIB that controls delivery of both the 5V and 7V supplies to the modem connectors as well as the 5V supply to the MIB's own logic. This switch also controls connection of power from a host side interface to the modem when the power selection jumper (J21) is on pins 2 and 3.

The normal initial setup has jumper J21 (Power Select) set on pins 1 and 2 which will deliver power to the modem from the MIB's power source.

11.3.1. Voltage Adjustment

A trim-pot is provided to make fine adjustments to the 5V supply, accommodating cable loss and allowing you to test the modem under various power conditions.



CAUTION

The 5V power adjustment will also affect the 5V supply to the MIB's own logic. Extreme settings may cause failures of the MIB that should not be interpreted as failures of the modem.

There is protection circuitry intended to prevent the trim-pot from setting values high enough to damage the MIB or modem. The range is approximately 5V +5%/–10%.

The 5V supply can be measured at test point TP3 or at pin 1 of the power select jumper (J21).

The 7V supply does not have adjustment controls.

11.3.2. Using Power from Host (DTE)

For users testing a host connection to a SB300 Series modem, it is possible to power the modem from the host (DTE) device rather than the MIB. To do this, connect the host to the appropriate connector and set jumper J21 (Power Select) to pins 2 – 3 (+5V Host).

This power feed is also connected to the main power switch on the MIB.

The MIB's 12V power supply must remain on to deliver power to the RS-232 / HCMOS conversion logic. The DTE/DCE serial lines are converted to RS-232, made available at the Serial Breakout Box, and then converted back to HCMOS at each end.

11.4. Connections

This section provides information on the use of the various connectors on the MIB.

11.4.1. PC Host (DTE) RS-232 Serial Connection

There are two 9-pin D connectors (female) provided on the MIB to connect to standard RS-232 serial ports on a host terminal, usually a PC.

PC Serial Port

This connection is for a PC host device running a terminal emulation program. Communication to and from this port is delivered via the Serial Breakout Box, to and from the modem.

Debug Port

The second 9-pin D connector is for factory level testing only.

11.4.2. Host (DTE) Connection for SB300/320

An alternative to the 9-pin RS-232 serial connector (PC Serial Port) is provided for connecting a host (DTE) device to a SB300 or SB320 via the 30-pin flat flex ZIF connector at J8 (SB300/320 Host). This connector allows you to insert the MIB between the host and the modem for testing and monitoring communications.

Serial Signals

The MIB converts the serial communication signals to RS-232 level, presents them at the Serial Breakout Box and then converts them back to HCMOS level before passing them to the DTE/DCE ends.

NOTE: In order for this signal conversion to work, the host device MUST supply +5V on pins 1 and 2. It is this power which enables the conversion logic on the MIB *for the host side*.

Input Signals

The modem's three \STATUS_OUT signals are passed directly between the modem and the host. They can also be monitored by the three LEDs (SO1, SO2, SO3)

Output Signals

The host Shutdown signal is passed to the modem via an enabling jumper (HOSTSHDN) on the main jumper block. With the jumper removed, the shutdown signal is blocked from reaching the modem.

Power from the host can be used to power the modem by setting jumper J21 (Power Select) to pins 2 –3 (+5V Host). With the jumper in the original position (pins 1 – 2) the modem is powered from the MIB. See Section 11.3.2 for details.

11.4.3. Host (DTE) Connection for SB301/302

This connector provides a service identical to that for SB300/320 using the 2x8-pin block at J9 (SB301/302 Host). The same signal processing is provided as that described above.

11.4.4. Protocol Analyzer Connection

Two 25-pin D connectors are available to connect a protocol analyzer in the serial signal path. The female connector is on the PC side of the Serial Breakout Box; the male connector is on the modem side.

To monitor the communication signals between the host and modem, simply connect the analyzer to the MIB.

11.4.5. SB300 / SB320 Modem Connection

Both the SB300 and SB320 use a 30-pin ZIF connector. The connector uses the Flat Flex Cable ribbon (Sierra Wireless part number 2000068) provided with the OEM Developer's Toolkit.

The connection provides all defined pinouts.

Use care when attaching the ribbon to the connector. There is a cover clamp that hinges up to open the connector. Slide the ribbon into the connector with the insulated (coloured) side of the ribbon facing up. Close the connector clamp by pressing down at the ends rather than the centre of clamp. The modem has an identical clamp connector.

Serial Signals

The MIB converts the serial communication signals to RS-232 level, presents them at the Serial Breakout Box and then passes them to the DTE/DCE ends.

The DCE (modem) side of this conversion can be disabled, effectively disconnecting the modem from the MIB by placing a jumper on the MODEM DISBL pins of the main jumper block. This can be useful if you are using a protocol analyzer to emulate the DCE device.

Input Signals

The 5V power comes from the MIB via the jumper J21 (Power Select). Pins 1 – 2 will connect the MIB adjustable 5V supply.

All other input signals (Shutdown (\SHDN) and status inputs 1 – 4) to the modem are supplied from the main jumper block. Placing a jumper on the pins will make the signal active.

Output Signals

The three modem \STATUS_OUT signals are indicated by the three LEDs (SO1, SO2, SO3). These are lit when the output signal is active (low).

Headset Connection

For those using voice features of the SB320, the supplied headset can connect at J15 (Headset). This provides both microphone and speaker signal I/O.

11.4.6. SB302 Modem Connection

The SB302 uses a 2x8 pin connector block. A strap with connectors at each end (part number 2000067) is provided with the OEM Developer's Kit. This strap allows connection of the modem to the MIB at J7 (To SB301/302).

Serial Signals

The MIB converts the serial communication signals to RS-232 level, presents them at the Serial Breakout Box and then passes them to the DTE/DCE ends.

The DCE (modem) side of this conversion can be disabled, effectively disconnecting the modem from the MIB by placing a jumper on the MODEM DISBL pins of the main jumper block. This can be useful if you are using a protocol analyzer to emulate the DCE device.

Input Signals

The 5V power and Shutdown (\SHDN) signal to the modem can be supplied from either the MIB or the Host (DTE) connection (not the PC Host RS-232 connection).

Modem power can be drawn from either the MIB or the host (DTE) by setting the jumper J21 (Power Select). Pins 1 – 2 will connect the MIB adjustable 5V supply. Pins 2 –3 (+5V Host) will connect the host power to the modem. See Section 11.3.2 for details.

The Shutdown (\SHDN) signal must originate from the Host (DTE) connection (not the PC Host RS-232 connection). It can be enabled or disabled via a jumper (HOSTSHDN). With the jumper connector in, the shutdown signal will be passed to the modem. With the jumper removed, the signal is blocked.

The Shutdown signal can also be originated at the MIB using the SB3XX SHDN jumper on the main jumper block. Placing a jumper on the pins will make the signal active (low).

Output Signals

The three modem \STATUS_OUT signals are passed directly between the modem and the Host (DTE) connector. Their status is also indicated by the three LEDs (SO1, SO2, SO3). These are lit when the output signal is active (low).

11.4.7. SB220 Modem Conneciton

This is provided for factory testing of older model modems not detailed in this manual.

11.5. Jumpers

There are five jumper blocks provided on the MIB. Two of these are for the SB220, which is not covered in this document. The three blocks used with the SB300 Series modems are summarized below and discussed in detail in following sections.

The main jumper block is located next to the modem power switch and has eight pairs of pins.

When the jumper is connected it has these functions.

- ST IN1 Activate the input signals (not currently implement
- ST IN2 on the modems).
- ST IN3
- ST IN4
- \SHDN Activate the \SHDN signal to the modem.
- HOSTSHDN Enable the \SHDN signal from the SB301/302 host connector.
- TP CTRL Enable test point TP5.
- MODEM DIS Disable the RS-232 serial connection from the modem.

There is also a 3-pin jumper block for power selection. A jumper **MUST** connect the centre pin (2) to one of the outside pins (1 or 3) to enable power to the modem.

- 1 – 2 MIB power is used.
- 2 – 3 Host power (SB301/302 host connector) is used.

A 2-pin jumper block is available to enable or disable the built-in speaker. When the jumper is connected, the speaker is enabled.

11.5.1. Main Jumper Block

The main jumper block (J24) has eight pairs of pins, all labelled. The first four pairs are to activate the four input signals of the SB320 (not currently implemented by the modem). Two pairs are for direct MIB activation of the Shutdown (\SHDN) signal to the modems and to enable the SB302 host interface to trigger this signal. There is one pair of pins for activating TP5 and the last pair is to disable the modem side of the RS-232 / HCMOS serial signal conversion.

11.5.1.1. ST INx – Status Inputs

Placing a jumper on one of these pins will force the signal active. At this time none of the status input signals are used by the SB320 or SB300.

11.5.1.2. \SHDN – Shutdown

This jumper forces the modem's Shutdown (\SHDN) input active (low). Placing a jumper on this pair of pins forces the signal on. This will work regardless of the jumper setting of the host shutdown enable.

11.5.1.3. HOSTSHDN – Host Shutdown Enable

This jumper enables the Shutdown (\SHDN) signal from the host side interface to be passed to the modem. Without the jumper installed, the signal will not reach the modem. This jumper does not *activate* the signal; only allow the signal from the host connector to be passed to the modem.

If the host side connector is not being used, this jumper should be left open (not connected). This will prevent a floating signal from the host connector block from reaching the modem.

This jumper is independent of the forced-shutdown jumper (\SHDN).

11.5.1.4. TP CTRL

Test Point 5 is tied to this jumper. When the jumper is removed, the test point delivers GND; when the jumper is inserted it delivers the MIB's 5V DC, independent of the modem's power supply.

11.5.1.5. MODEM DISBL

Placing a jumper on this pair of pins will disable the MIB's conversion of the modem serial connection from HCMOS level to RS-232 level, effectively disconnecting the modem from the Serial Breakout Box and the host (both PC and direct host side connection). Power and the control signals \SHDN and \STATUS_OUT1 – 3 remain intact.

11.5.2. Power Select

A 3-pin block is provided to select the source of the +5V power supply to the modems. Placing the jumper on pins 1 and 2 will connect the MIB's regulated +5V supply. Placing the jumper on pins 2 and 3 will connect the modem to power from the host side connection and remove the trim pot.

The modem power switch comes AFTER the power selection jumper and can be used to control power to the modems regardless of the source of the power.

11.5.3. SPK EN – Speaker Enable

A 2-pin block is provided to allow you to disable the speaker in situations where you would prefer to mute the output. Placing the jumper on the pins will enable the SB320 to drive the speaker, provided the SB320 I/O connector is in place.

The SB300 and SB302 modems do not provide speaker output. The SB320 speaker output is driven through the wireline connector (SB320 I/O).

11.6. Serial Breakout Box

One of the main functions of the MIB is to provide a means of monitoring the serial connection between a host and the modem. The MIB converts HCMOS level signals at the modem and at the host side connection to RS-232 level for monitoring on the LEDs and with a protocol analyzer.

In addition, the two rows of pins on each side of the DIP switch provide test points and connections to each individual signal. This allows you to cross connect pins to correct cabling or connector faults.

11.6.1. DIP Switch

The DIP switch is used to make or break the connection between the host and modem for each of the serial communication signals. When switched to the open side, the connection is broken.

Should there be a cross connection error in the host / modem serial connection, switch off the affected signals and use the breakout pins to bridge the signal correctly.

The last two switches are not connected.

11.6.2. Serial Connection Indicators

The LED indicators show the status of the serial communication on the modem side of the breakout box. Red indicates an inactive signal, green indicates an active one. All LEDs are labelled.

11.7. Test Points

There are six test points plus a pair of pins for current measurement. The sixth test point is not used at this time.

11.7.1. TP1 DISC

This test point receives its signal from pin 30 of the SB320 modem connector and pin 1 of the SB320 I/O connector. It presents the discriminator output of the radio modem.

11.7.2. TP2 KEY

All modem connectors provide the transmitter key indicator here. This signal is also indicated by the S02 status LED.

11.7.3. TP3 5V Adjusted

The power output after the 5V ADJ trim pot can be measured here.

11.7.4. TP4 5V Setting

This test point is for factory presets only.

11.7.5. TP5 Debug for 5V / GND

This is connected to the TP CTRL jumper of the main jumper block and is available for debug testing the MIB's power supply. When the jumper is removed, the test point delivers GND; when the jumper is inserted it delivers the MIB's 5V DC, independent of the modem's power supply.

11.7.6. TP6 Unused

Connected to the SB320 pins 20, 21, and 22, these signals are currently unused.

11.7.7. Current Measurement

Two pins are made available at J26 (Current Measurement) to allow **calculation** of the current drawn by the modem. The calculation is based on $V = I \times R$, where V is the measured voltage and R is a known resistance (0.1 ohm). This formula reduces to $I = 10 \times V$.

Measure the Voltage across the two pins. This is typically greater than 1 mV and less than 90 mV. The current being drawn, in mA, is equivalent to 10 times the voltage measured in mV.

11.8. Reset Button

The reset button sends the reset control signal to the SB300 and SB320 connectors. The SB302 does not support a reset input signal.

11.9. Initial Setup

As shipped the MIB is configured as follows:

- Serial communication DIP switches are closed and the two spare switches are left open.
- Power select is on pins 1 and 2 to use MIB power for the modem.
- The following main jumpers are connected:
 - ST IN1 – ST IN4 (Status Inputs to SB320) These are unused currently and simply provide a “parking space” for jumpers which can be used as needed elsewhere.
 - TP CTRL allowing for measurement of the MIB’s 5V power supply.
- The speaker is enabled.

The 5V power adjustment is set in the factory for 5V.

