



GCL-GH™

Heavy Duty Operator

NEMA 4 & 4X APPLICATION

INSTALLATION SUPPLEMENT

FOR ALL HP RATINGS

GCL-GH™ COMMERCIAL-INDUSTRIAL DOOR OPERATOR.

NOT FOR RESIDENTIAL USE

This supplement instruction is to be used in combination with the standard accompanying GCL-GH™ Installation Manual. This supplement contains installation instruction and illustrated parts breakdowns which specify parts included in the GCL-GH™ NEMA 4 & 4X assemblies.

IMPORTANT: Prior to installing or operating an GCL-GH™ Commercial-Industrial Door Operator, carefully read the GCL-GH™ Installation Manual and any other instructions and warnings accompanying the unit.

High Voltage Wiring

(SUPPLEMENT TO SECTION 5 OF THE ACCOMPANYING GCL-GH™ INSTALLATION MANUAL)

Line Voltage Wiring Fig. 1

⚠ WARNING

- DO NOT apply power to operator until instructed to do so.
- The Genie® Company recommends that line voltage wiring be performed by a qualified electrician.
- Be sure that electrical power has been disconnected from the input power wires being connected to the operator prior to handling these wires. An appropriate lock-out /tag-out procedure is recommended.
- Line voltage wiring must meet all local building codes.
- Make sure operator voltage, phase and frequency nameplate ratings are identical to the job site line voltage ratings.
- Input power wiring must be properly sized for the operators amperage rating located on the nameplate.
- To reduce the risk of electric shock, make sure the chassis of this unit is properly grounded.

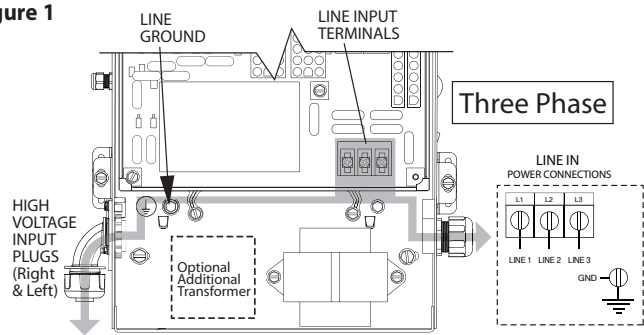
- 1) Remove LINE VOLTAGE INPUT PLUG and install proper fittings and 1/2" conduit.
- 2) Route proper LINE VOLTAGE wires into operator.
- 3) Locate LINE INPUT terminals on circuit board. Using correct connectors, attach wires to LINE INPUTS, and GROUND terminal.
 - Keep low voltage and line voltage wires separate.
 - Route all line voltage wires as shown. Use liquid tight fittings and conduit.
 - Plug all unused conduit holes with liquid tight plugs.

NOTE: LIQUID-TIGHT FITTINGS AND CONDUIT ARE NOT PROVIDED.

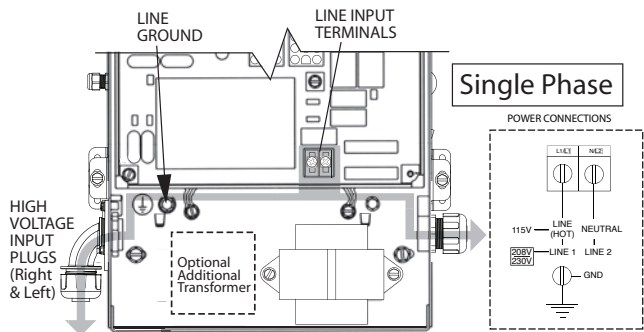
GCL-GH HEAVY DUTY OPERATOR

www.geniecompany.com

Figure 1



**ROUTE HIGH VOLTAGE WIRING
IN THE SHADED AREA AS SHOWN**



**ROUTE HIGH VOLTAGE WIRING
IN THE SHADED AREA AS SHOWN**

06-12

Low Voltage Wiring

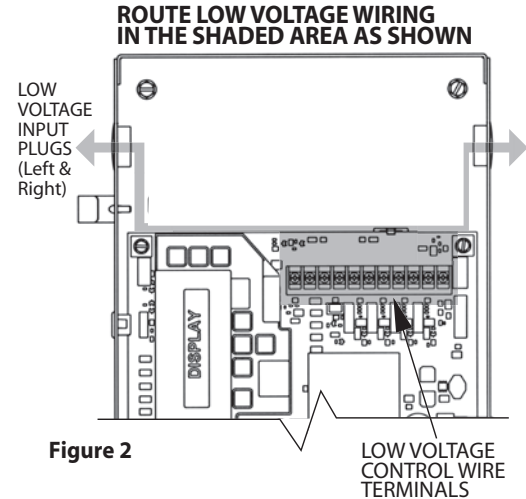
(SUPPLEMENT TO SECTION 5 OF THE ACCOMPANYING GCL-GH™ INSTALLATION MANUAL)

Low Voltage Control Wiring (general) Fig. 2

- 1) Connect all LOW VOLTAGE control circuit wires to this side of unit using 1/2" conduit or flexible convoluted tubing.
 - Keep low voltage and line voltage wires separate.
 - Route all low voltage control wiring as shown. Use liquid tight fittings and conduit. This includes all control circuit wires such as wall controls, timers and single button input devices as well as radio control and safety circuit wiring. See Figs 2 through 10 in this section.
 - Plug all unused conduit holes with liquid tight plugs.

NOTE: For a detailed description of control wire terminals see Appendix B in the Standard GCL-GH™ Installation Manual.

NOTE: LIQUID-TIGHT CONDUIT AND FITTINGS ARE NOT PROVIDED



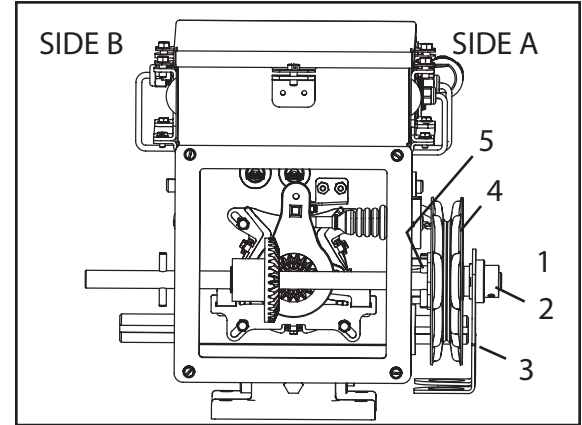
Right Hand /Left Hand Orientation

Shifting Manual Handwheel SIDE A to SIDE B: Fig. 4

The release mechanism is factory installed and is designed so that it can be right or left-hand mount. To switch the handwheel:

- 1) Loosen the set screws (1) and remove set collar (2).
- 2) Slide the chain guard (3) and handwheel (4) off of hoist shaft.
- 3) Drive out spring pin (5) and drive it into opposite side of shaft.
- 3) Slide all onto opposite side in order shown and tighten set screws.

Figure 4



Shifting Release Cord SIDE A or SIDE B: Fig. 5

The release mechanism is factory installed and is designed so that it can be right or left-hand mount. To switch the release cable:

- 1) Remove 4 screws, cover plate and gasket from hoist enclosure.
- 2) Remove 2 nuts from cable bracket, remove bracket pulling it off end of cable.
- 3) Pull rubber boot inside enclosure disengaging it from cable pass-through hole.
- 4) Pull cable through hole into enclosure.
- 4) Remove plug from cable pass-through hole on opposite side of enclosure and plug hole where cable was before.
- 5) Feed cable out through new side and attach rubber boot to hole.
- 6) Slide cable bracket onto cable and attach to new side of enclosure with 2 nuts.
- 7) Replace gasket, cover plate and 4 screws.

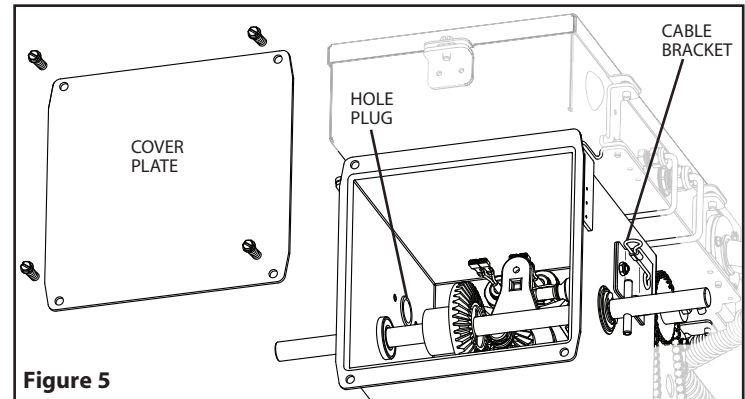


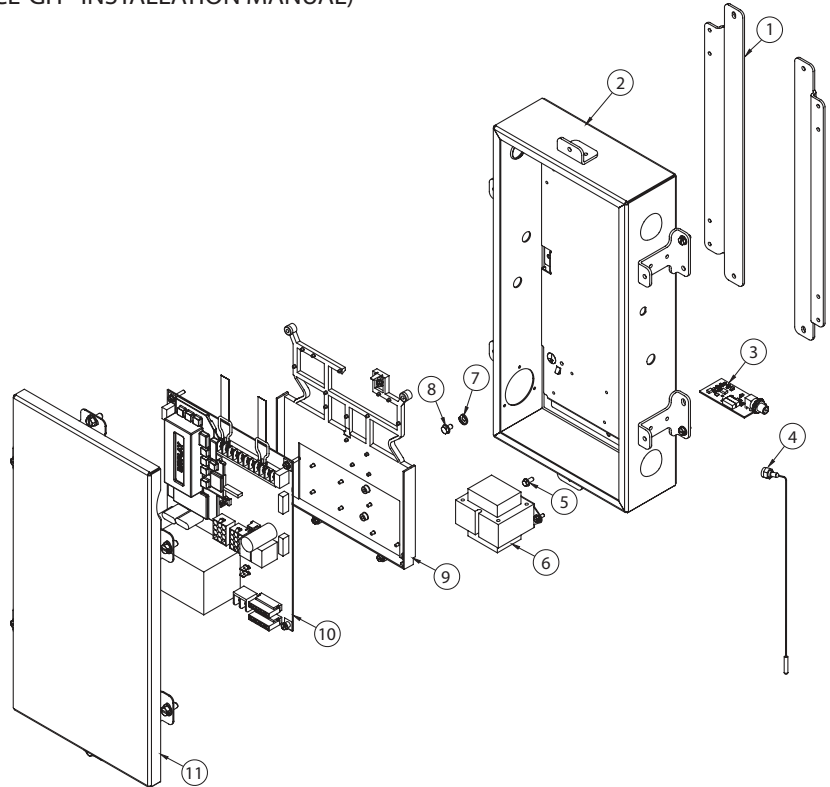
Figure 5

NEMA 4 & 4X Electric Box Parts Breakdown

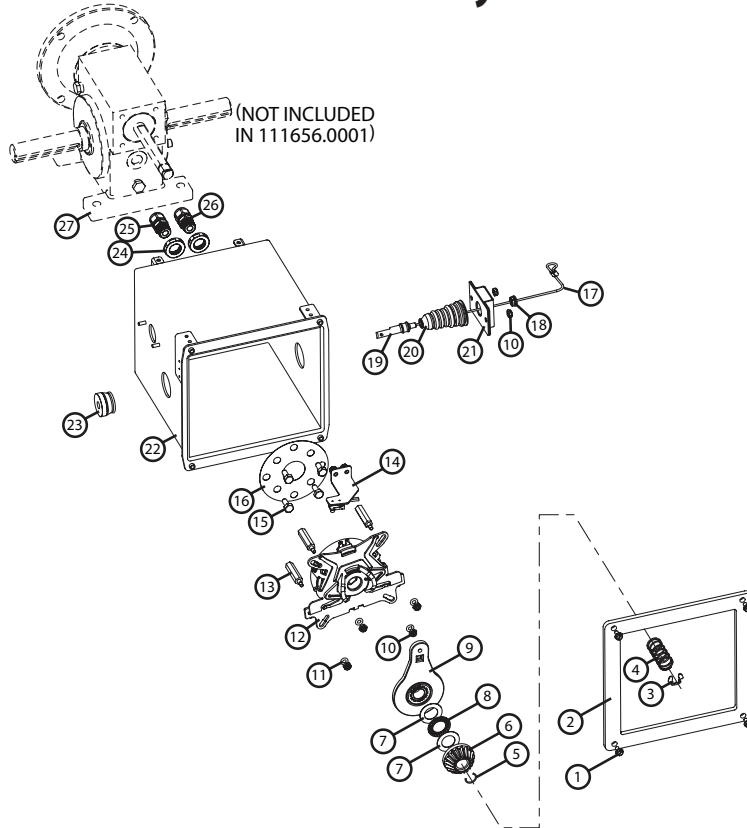
(SUPPLEMENT TO APPENDIX A OF THE ACCOMPANYING GCL-GH™ INSTALLATION MANUAL)

Item	Part Number	Description	Qty
1	111116.0001	BRACKET, MOUNTING, ELECTRIC BOX	2
2	111119.0001	ELEC BOX, N4 (BLACK)	1
	111119.0002	ELEC BOX, N 4X (STAINLESS STEEL)	1
3	111397.0002	RECEIVER ASSY	1
4	111352.0001	ANTENNA ASSY	1
5	8706E29	SCREW, GROUND, 8-32 X 3/8"	1
6	111087.0001	XFMR, 120/208/240V, 1 PHASE	1
	111087.0002	XFMR, 208/240/480V, 3 PHASE	1
	111087.0003	XFMR, 575V	1
7	22634A	WASHER, CUP	1
8	8706F29	SCREW, GROUND, 10-32 X 3/8"	1
9	111401.0001	INSULATOR BOARD ASSY	1
10	112358.0001.S	KIT, CIRCUIT BD, 1PH, CONTACT, NON-UL	1
	112358.0002.S	KIT, CIRCUIT BD, 1PH, RELAY, NON-UL	1
	112358.0003.S	KIT, CIRCUIT BD, 3PH, NNON-UL	1
	112358.0004.S	KIT, CIRCUIT BD, 575V, NON-UL	1
11	112359.0001.S	COVER ASSY, N4, 1PH, GENIE, BLACK	1
	112359.0001.S	COVER ASSY, N4, 3PH, GENIE, BLACK	1
	112359.0001.S	COVER ASSY, N4, 575V, GENIE, BLACK	1
	112359.0001.S	COVER ASSY, N4X, 1PH, GENIE, SS	1
	112359.0001.S	COVER ASSY, N4X, 3PH, GENIE, SS	1
	112359.0001.S	COVER ASSY, N4X, 575V, GENIE, SS	1
NS	111405.0001	SPARE FUSE KIT	1

NS = NOT SHOWN



Brake Enclosure Assembly

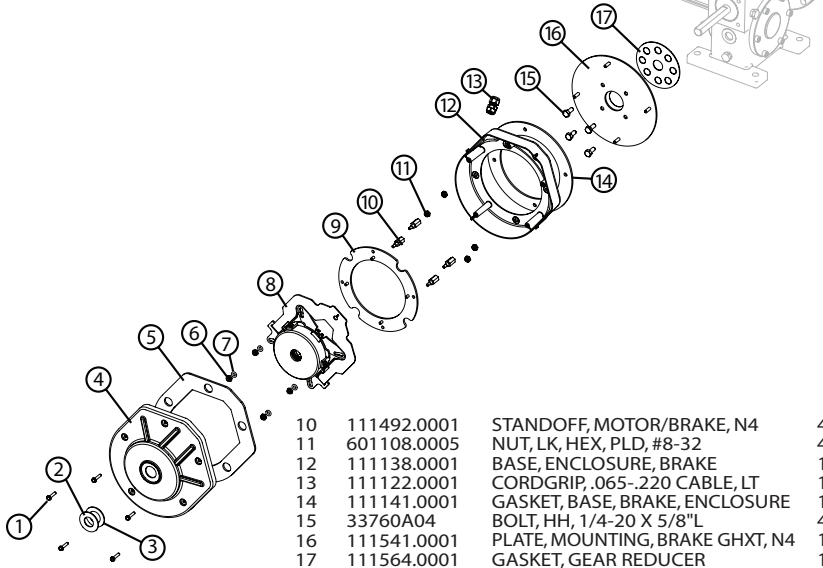


Item	Part Number	Description	Qty
	111676.0001	ENCLOSURE ASSY, BRAKE, N4	
1	8094J04	SCR, #10-32 X .375 HHW S	4
2	111560.0001	GASKET, COVER, N4	1
3	111382.0002	RING, RTNG, HIGH GRIP, .40	1
4	111555.0001	SPRING, .796 OD	1
5	111600.0001	RING, CONSTANT SECTION	1
6	111539.0001	GEAR, PINION, 18T	1
7	111403.0001	WASHER, THRUST	2
8	111402.0001	BEARING, THRUST	1
9	111599.0001	RELEASE ARM ASSY, GXH	1
10	601108.0001	NUT, LK, HEX, PLD, #8-32	6
11	111346.0001	O-RING, SIZE 107	4
12	111598.0001	BRAKE ASSY, GXH	1
	111707.0001	BRAKE ASSY, GXH, 3HP	1
13	111512.0001	STANDOFF, HEX, #10-32	4
14	111771.0001	SWITCH ASSY, GXH, N4	1
15	33760A04	BOLT, HH, 1/4-20 X 5/8" L	4
16	111564.0001	GASKET, GEAR REDUCER, 1HP	1
17			
18	111711.0001	BUSHING, .25 ID	1
19	111572.0001		
20	111563.0001	BOOT, RUBBER, GXH, N4	1
21	111562.0001	BRACKET, RELEASE CORD, N4	1
22	111557.0001	ENCLOSURE, HOIST, GXH , N4	1
23	111472.0002	BUSHING, LT, 1.00	1
24	111473.0001	LOCKNUT, NYLON, 3/8 NPT	2
25	111476.0001	CORDGRIP, LT, 3/8 NPT	1
26	111366.0001	CORDGRIP, LT, MULTI-HOLE	1
27		GEAR REDUCER	
NS*	111561.0001	COVER, HOIOST ENCLOSURE, N4	1

*NS=NOT SHOWN

NEMA 4 Brake Assembly (Drawbar)

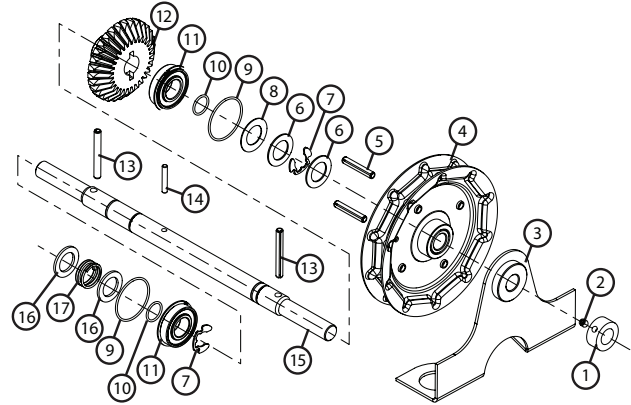
Item	Part Number	Description	Qty
NEMA4 BRAKE ASSY			
1	24501D04	SCR, SLFTPG HHW, #8 X 3/4"L	5
2	111316.0001	WASHER, .75 ID, STAINLESS STL	1
3	111478.0001	GASKET, WASHER	1
4	111139.0001	COVER, ENCLOSURE, BRAKE	1
5	111142.0001	GASKET, COVER, BRAKE, ENCLOSURE	1
6	601108.0005	NUT, LK, HEX, PLD, #8-32	4
7	111346.0001	O-RING, SIZE 107	4
8	110620.0003	BRAKE ASSY, REINFORCED, GHXT	1
9	111491.0001	ADAPTER PLATE, MOTOR/BRAKE, N4	1



GCL-GH HEAVY DUTY OPERATOR

www.geniecompany.com

Hoist Shaft



Item	Part Number	Description	Qty
111612.0001 SHAFT ASSY, HOIST, GXH, 3HP, N4			
1	604297.3062	SET CLR, 5/8 ID X 1-1/8 OD	1
2	080300.1604	SCR, SET, SCH, KNRLD, 1/4-20	1
3	110411.0001	CHAIN GUARD ASSY	1
4	110872.0001	HANDWHEEL, STANDARD CHAIN	1
5	110313.0009	PIN, SPRING, .250 DIA X 1.13	2
6	110819.0003	WASHER, PLAIN, .770 ID	2
7	111382.0001	RING, RTNG, HIGH GRIP STRENGTH	2
8	086649.0030	WASHER, THRUST, .765	1
9	111709.0004	O-RING, AS568A-025	2
10	111709.0005	O-RING, AS568A-014	2
11	110695.0001	BEARING, .75 ID	2
12	111552.0001	GEAR, BEVEL, 30T, HOIST	1
13	110313.0010	PIN, SPRING, .250 DIA X 2.00	2
14	110881.0001	PIN, DOWEL, .188 X 1.13	2
15	111554.0002	SHAFT, HOIST, GXH, 3HP, N4	1
16	111937.0001	WASHER, .765 ID X 1.188	2
17	111909.0001	SPRING, .975 OD	1

06-12



COMMERCIAL LINE

One Door Dr.
Mt. Hope, OH 44660