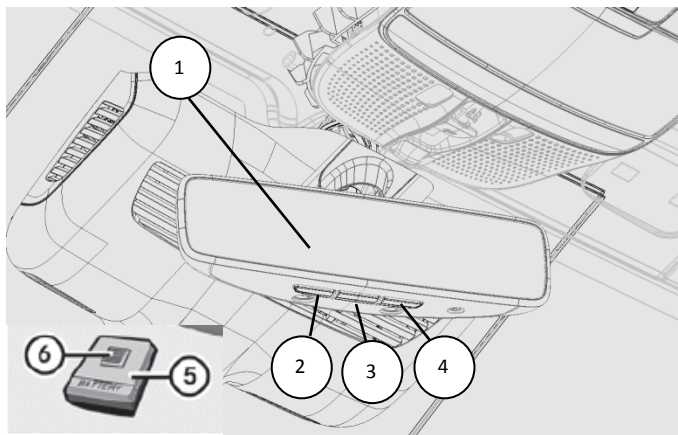


Information on compatible products and video programming instructions are available at www.homelink.com

Only press the transmitter button on the integrated garage door opener if there are no persons or objects present within the sweep of the garage door. People could otherwise be injured by the movement of the door.



Integrated garage door opener on the rear-view mirror Garage door remote control 5 is not part of this integrated garage door opener.

To achieve the best result, insert new batteries in garage door remote control 5 before programming.

- ▶ For first time programming, clear all HomeLink memory by following the instructions in the "clearing memory" section (page 333)
- ▶ Turn the SmartKey to position 2 in the ignition lock.
- ▶ Press and release one of buttons 2 to 4 on the integrated garage door opener. Indicator lamp 1 lights up yellow.
- ▶ Point remote control 5 towards buttons 2 to 4 on the rear-view mirror at a distance of 2 to 8 inches (5 to 20 cm).
- ▶ Press and hold button 6 on remote control 5 until indicator lamp 1 lights up green. If the indicator lamp 1 does not turn green, reposition the remote control 5 and repeat this step.

- ▶ Release button 6 on remote control 5.
- ▶ Firmly press, and release the programmed button 2, 3, or 4 of the integrated garage door opener up to three separate times to activate the device. If the device activates, programming is complete. If the device does not activate, continue with "Synchronizing the Rolling Code."

Synchronizing the rolling code

Your vehicle must be within range of the garage or gate opener drive. Make sure that neither your vehicle nor any persons/objects are present within the sweep of the door or gate. A ladder and/or second person may simplify the following steps.

Observe the safety notes when performing the rolling code synchronization.

- ▶ Turn the SmartKey to position 2 in the ignition lock.
- ▶ At the garage door opener receiver (motor-head unit) in the garage, locate the "Learn" or "Smart" Button. This can usually be found directly on the motor-head unit (see the Garage Door Opener manual to identify the "Learn Button").

There are typically 30 seconds to complete the next step.

- ▶ Press the previously programmed transmitter button 2, 3, or 4 of the integrated garage door opener up to three separate times to activate the device. If the device activates, programming is complete.

Notes on programming the remote control

Canadian radio frequency laws require a "break" (or interruption) of the transmission signals after broadcasting for a few seconds. These signals may not therefore last long enough for the integrated garage door opener to recognize the signal during programming. Comparable with Canadian law, some U.S. garage door openers also feature a "break."

If you live in Canada or have difficulties programming the garage door opener (regardless of where you live) when using the programming steps above, proceed as follows:

- ▶ Press and hold one of transmitter buttons 2 to 4 of the integrated garage door opener. After a short time, indicator lamp 1 lights up yellow.
- ▶ Release the button. Indicator lamp 1 flashed yellow.
- ▶ Press button 6 of the garage door remote control 5 for two seconds, then release it for two seconds.
- ▶ Repeat this sequence on button 6 of remote control 5 until indicator lamp 1 lights up green.

- ▶ Continue with the other programming steps (see above).

Problems when programming

If you are experiencing problems programming the integrated garage door opener on the rear-view mirror, take note of the following instructions:

- Replace the batteries in garage door remote control 5. This increases the likelihood that garage door remote control 5 will transmit a strong and precise signal to the integrated garage door opener in the rear-view mirror.
- When programming, hold remote control 5 at varying distances and angles from the button you are programming. Try various angles at a distance between 0 and 8 inches (0 to 20 cm) or at the same angle but at varying distances.
- If another remote control for the same garage door drive is available, repeat the same programming steps with this remote control. Before you perform the steps, make sure that new batteries have been installed in the garage door remote control 5.
- Note that some remote controls only transmit for a limited amount of time (the indicator lamp on the remote control goes out). Press button 6 on remote control again before transmission ends.
- Extend the antenna cable of the garage door opener unit. This can improve signal reception/transmission.

Opening / closing the garage door

After it has been programmed, the integrated garage door opener performs the function of the garage door system's remote control. Please also read the operating instructions for the garage door system.

- ▶ Turn the SmartKey to position 2 in the ignition lock.
- ▶ Press button 2, 3 or 4 which you have programmed to operate the garage door.

The transmitter will transmit a signal for as long as the transmitter button is being pressed. The transmission is halted after a maximum of ten seconds and indicator lamp 1 lights up yellow. Press button 2, 3, or 4 again if necessary.

Clearing the memory

- ▶ Turn the SmartKey to position 2 in the ignition lock.
- ▶ Press buttons 2 and 4. The indicator lamp lights up yellow.

HomeLink and the HomeLink house are registered trademarks of Gentex Corporation.

- ▶ Press and hold buttons 2 and 4 until the indicator lamp turns green.

The following is required text to be included in the Vehicle Owner's Manual, as part of Homologation regulations globally if applicable.

**A general requirement is that the Owner's Manual shall be written in the native language of the country of use.*

The device is to be mounted in the vehicle with only the button side of the device exposed to the end user.

FCC (USA) and IC (Canada):

This device complies with FCC rules part 15 and Industry Canada RSS-210. Operation is subject to the following two conditions: (1) This device may not cause harmful interference, and (2) This device must accept any interference that may be received including interference that may cause undesired operation. WARNING: The transmitter has been tested and complies with FCC and IC rules. Changes or modifications not expressly approved by the party responsible for compliance could void the user's authority to operate the device.

This equipment complies with FCC radiation exposure limits set forth for an uncontrolled environment. End Users must follow the specific operating instructions for satisfying RF exposure compliance. This transmitter must be at least 20 cm from the user and must not be co-located or operating in conjunction with any other antenna or transmitter.

The term "IC:" before the certification/registration number only signifies that Industry Canada technical specifications were met.