



GT-1 Basic Installation, Maintenance and User Setup Guide

Guide Revision v1.1

**Geoforce Inc.
GT-1 Part Number: XS-GT-1**

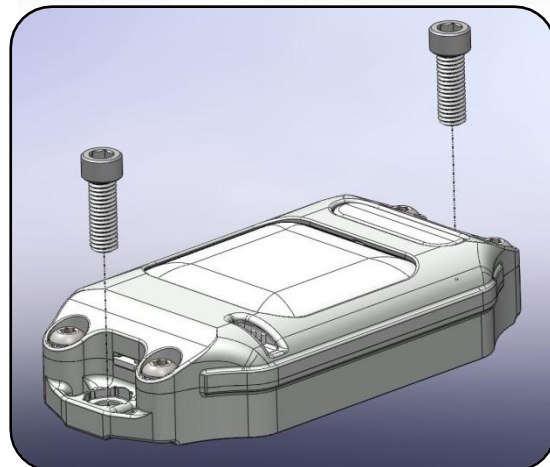
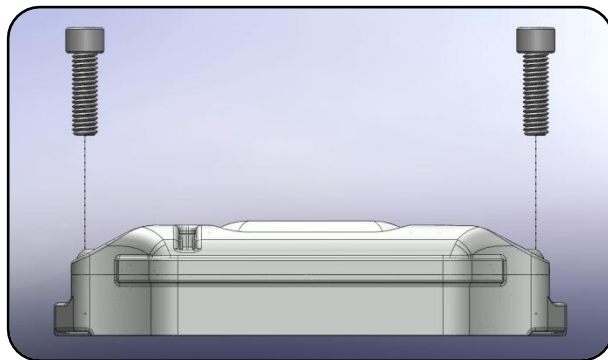
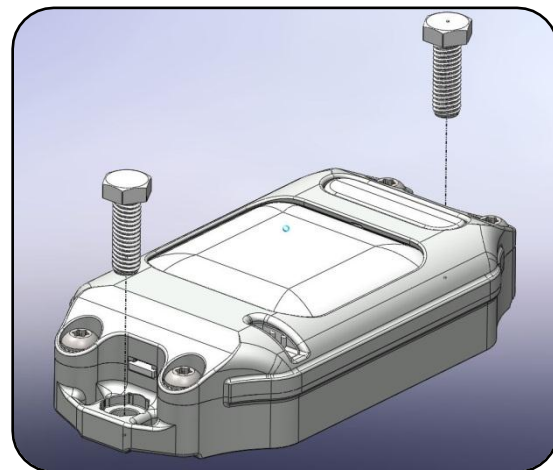
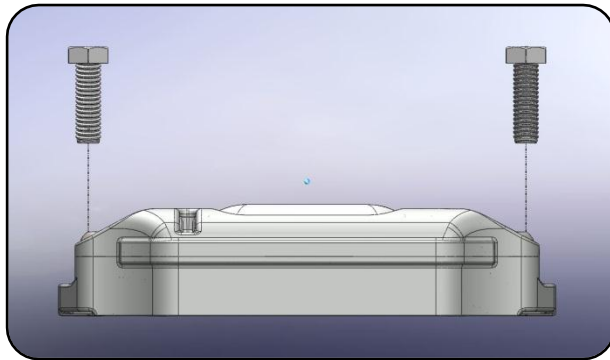
GT-1 Installation

Installation Basics:

- The Geoforce GT-1 can be installed on any flat surface that allows a full view of the sky.
- A variety of (5/16" or 8 mm) installation hardware can be utilized to mount the GT-1.
 - Socket-Head Cap Screws
(for installations that do not have access to the back side of the mounting surface)
 - Hex-Head Cap Screws
(for installations that have access to the back side of the mounting surface for a nut)
 - Self-drilling Sheet-metal Screws
- The GT-1 will capture and hold a Hex-Head Cap Screw while being secured from the backside.

To Mount the GT-1:

1. Locate a flat surface that gives the GT-1 a good view to the sky.
2. Drill Two 5/16" diameter mounting holes 5.5" (140mm) apart.
 - These holes may also be drilled and tapped 5/16"-18 or 8mm x 1.25
3. Place GT-1 and secure in place with required hardware.
 - An optional pre-cut VHB securing pad can also be included to bond the GT-1 in place.



GT-1 Maintenance

The Geoforce GT-1 is a low maintenance global tracking device.

User based maintenance is limited to the following:

- 1) Periodic battery changes when battery life runs low.

To change the GT-1 batteries:

- 1) Locate the T-27 security torx bit driver
- 2) Remove the 4 tamperproof torx screws from the GT-1 metal enclosure
- 3) Remove the upper metal enclosure half and white electronics housing from the lower metal enclosure
 - a. Take care to not let any water drip into the battery compartment
- 4) Remove and replace all 6 batteries with provided GT-1 battery replacement kit (part # AO-GT1-BATT)
- 5) Place GT-1 white electronics housing back into lower metal enclosure
 - a. Alignment tab on end of white plastic housing should line up and nestle into enclosure slot
- 6) Place upper metal enclosure half back in place
- 7) Secure the 4 tamperproof torx screws, maximum torque 6--10ftlbs. [8--13Nm]

WARNING: DO NOT open the GT-1 metal enclosure or replace the batteries while an explosive or hazardous environment is present.

WARNING: Replace the GT-1 batteries ONLY with approved Geoforce provided 3.6V batteries. Using any other batteries will void the entirety of GT-1 intrinsic safety.

Appendix A:

Wireless Regulatory Guidance

RF Radiation Exposure Statement

This equipment complies with FCC radiation exposure limits set forth for an uncontrolled environment. End users must follow the specific operating instructions for satisfying RF exposure compliance. The antenna(s) used for this transmitter must be installed to provide a separation distance of at least 20 cm from all persons and must not be co-located or operating in conjunction with any other antenna or transmitter.

Regulatory Notices

FCC PART 15

Changes or modifications not expressly approved by the party responsible for compliance could void the user's authority to operate the equipment. The manufacturer is not responsible for any radio or TV interference caused by unauthorized modifications to this equipment. Such modifications could void the user's authority to operate the equipment.

NOTE: This equipment has been tested and found to comply with the limits for a Class B digital device, pursuant to part 15 of the FCC Rules. These limits are designed to provide reasonable protection against harmful interference in a residential installation. This equipment generates uses and can radiate radio frequency energy and, if not in-stalled and used in accordance with the instructions, may cause harmful interference to radio communications. However, there is no guarantee that interference will not occur in a particular installation. If this equipment does cause harmful interference to radio or television reception, which can be determined by turning the equipment off and on, the user is encouraged to try to correct the interference by one or more of the following measures:

- Reorient or relocate the receiving antenna.
- Increase the separation between the equipment and receiver.
- Connect the equipment into an outlet on a circuit different from that to which the receiver is connected.
- Consult the dealer or an experienced radio/ TV technician for help.

ICES-003

This Class B digital apparatus complies with Canadian ICES-003.

Cet appareil numérique de la classe B est conforme à la norme NMB-003 du Canada.

This device complies with Industry Canada license-exempt RSS standard(s). Operation is subject to the following two conditions: (1) this device may not cause interference, and (2) this device must accept any interference, including interference that may cause undesired operation of the device.

Le présent appareil est conforme aux CNR d'Industrie Canada applicables aux appareils radio exempts de licence. L'exploitation est autorisée aux deux conditions suivantes : (1) l'appareil ne doit pas produire de brouillage, et (2) l'utilisateur de l'appareil doit accepter tout brouillage radioélectrique subi, même si le brouillage est susceptible d'en compromettre le fonctionnement.

Appendix B:

Safety Regulatory Guidance

Regulatory Notices

UL913

WARNING: DO NOT OPEN DEVICE OR REPLACE BATTERIES WHEN AN EXPLOSIVE ENVIRONMENT IS PRESENT.

CSA22.2 No. 157

AVERTISSEMENT: NE PAS OUVRIR UN DISPOSITIF OU REMPLACER LES PILES QUAND UN ENVIRONNEMENT EXPLOSIF EST PRESENT.

IECEx/ATEX

WARNING: DO NOT OPEN DEVICE OR REPLACE BATTERIES WHEN AN EXPLOSIVE ENVIRONMENT IS PRESENT.

Battery Replacement Warning:

To maintain intrinsic safety, only approved

Geoforce **3.6V** batteries may be installed.

Battery Kit Part Number: AO-GT1-BATT