

Always there to help you

Register your product and get support at
www.philips.com/support



User manual

PHILIPS

Contents

1 Important	2
Important safety instructions	2
Care for your product	3
Care of the environment	3
Help and support	4

2 Your SoundBar	5
Main unit	5
Remote control	5
Wireless portable speakers	6
Wireless subwoofer	7
Connectors	7

3 Connect and set up	9
Charge portable speakers	9
Pair up with subwoofer/speakers	9
Place speakers	10
Connect audio from TV	10
Connect audio from other devices	12
Connect digital devices through HDMI	13

4 Spatial calibration	14
Step 1: calibrate the listening zone	14
Step 2: calibrate the surround speaker position	14

5 Use your SoundBar	16
Adjust the volume	16
Choose your sound	16
MP3 player	17
Play music via Bluetooth	17
Connect Bluetooth via NFC	18
Auto standby	19
Set display brightness	19
Apply factory settings	19

6 Update software	20
Check software version	20
Update software via USB	20

7 Wall mount your SoundBar	21
Wall mount	21

8 Product specifications	22
---------------------------------	----

9 Troubleshooting	23
--------------------------	----

10 Notice	25
Notice of compliance	25
Trademarks	25

1 Important

Read and understand all instructions before you use your product. If damage is caused by failure to follow instructions, the warranty does not apply.

Important safety instructions

- Read these instructions.
- Keep these instructions.
- Heed all warnings.
- Follow all instructions.
- Do not use this apparatus near water.
- Clean only with dry cloth.
- Do not block any ventilation openings. Install in accordance with the manufacturer's instructions.
- Do not install near any heat sources such as radiators, heat registers, stoves, or other apparatus (including amplifiers) that produce heat.



- Do not defeat the safety purpose of the polarized or grounding-type plug. A polarized plug has two blades with one wider than the other. A grounding type plug has two blades and a third grounding prong. The wide blade or the third prong are provided for your safety. If the provided plug does not fit into your outlet, consult an electrician for replacement of the obsolete outlet.
- Protect the power cord from being walked on or pinched, particularly at plugs, convenience receptacles, and the point where they exit from the apparatus.
- Only use attachments/accessories specified by the manufacturer.



- Use only with the cart, stand, tripod, bracket or table specified by the manufacturer or sold with the apparatus. When a cart is used, use caution when moving the cart/apparatus combination to avoid injury from tip-over.
- Unplug this apparatus during lightning storm or when unused for long periods of time.
- Refer all servicing to qualified service personnel. Servicing is required when the apparatus has been damaged in any way, such as power-supply cord or plug is damaged, liquid has been spilled or objects have fallen into the apparatus, the apparatus has been exposed to rain or moisture, does not operate normally, or has been dropped.
- Battery usage CAUTION - To prevent battery leakage which may result in bodily injury, property damage, or damage to the unit:
 - Install all batteries correctly, + and - as marked on the unit.
 - Do not mix batteries (old and new or carbon and alkaline, etc.).
 - Remove batteries when the unit is not used for a long time.
 - The batteries shall not be exposed to excessive heat such as sunshine, fire or the like.
 - Perchlorate Material - special handling may apply. See www.dtsc.ca.gov/hazardouswaste/perchlorate.
- The product/remote control may contain a coin/button type battery, which can be swallowed. Keep the battery out of reach of children at all times! If swallowed, the battery can cause serious injury or death. Severe internal burns can occur within two hours of ingestion.

- If you suspect that a battery has been swallowed or placed inside any part of the body, seek immediate medical attention.
- When you change the batteries, always keep all new and used batteries out of reach of children. Ensure that the battery compartment is completely secure after you replace the battery.
- If the battery compartment cannot be completely secured, discontinue use of the product. Keep out of reach of children and contact the manufacturer.
- Apparatus shall not be exposed to dripping or splashing.
- Do not place any sources of danger on the apparatus (for example, liquid filled objects, lighted candles).
- This apparatus may contain lead and mercury. Dispose according to local, State or Federal laws. For disposal or recycling information, please contact your local authorities. For additional assistance on recycling options, please contact www.mygreenelectronics.com or www.eiae.org or www.recycle.philips.com.
- Where the MAINS plug or an appliance coupler is used as the disconnect device, the disconnect device shall remain readily operable.
- Do not place this apparatus on the furniture that is capable of being tilted by a child and an adult leaning, pulling, standing or climbing on it. A falling apparatus can cause serious injury or even death.
- This apparatus should not be placed in a built-in installation such as a bookcase or rack unless proper ventilation is provided. Make sure to leave a space of 7.8 inches (20cm) or more around this apparatus.

Class II equipment symbol



This symbol indicates that the unit has a double insulation system.



This 'bolt of lightning' indicates uninsulated material within your unit may cause an electrical shock. For the safety of everyone in your household, please do not remove product covering.



The 'exclamation point' calls attention to features for which you should read the enclosed literature closely to prevent operating and maintenance problems.

WARNING: To reduce the risk of fire or electric shock, this apparatus should not be exposed to rain or moisture and objects filled with liquids, such as vases, should not be placed on this apparatus.

CAUTION: To prevent electric shock, match wide blade of plug to wide slot, fully insert.

Care for your product

Use only microfiber cloth to clean the product.

Care of the environment

Disposal of your old product and battery



Your product is designed and manufactured with high quality materials and components, which can be recycled and reused. This product may contain lead and mercury. Disposal of these materials may be regulated due to environmental considerations. For disposal or recycling information, please contact

your local authorities or visit www.recycle.philips.com.

This product contains non-removable batteries:

- Do not incinerate. Batteries may explode if overheated.
- For disposal or recycling information, please contact your local authorities or visit www.recycle.philips.com.

Help and support

For extensive online support, visit www.philips.com/support to:

- download the user manual and the quick start guide
- watch video tutorials (available only for selected models)
- find answers to frequently answered questions (FAQs)
- email us a question
- chat with our support representative.

Follow the instructions on the website to select your language, and then enter your product model number.

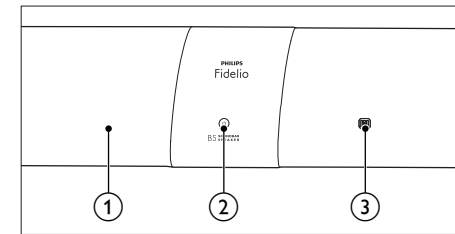
Alternatively, you can contact Consumer Care in your country. Before you contact, note down the model number and serial number of your product. You can find this information on the back or bottom of your product.

2 Your SoundBar

Congratulations on your purchase, and welcome to Philips! To fully benefit from the support that Philips offers, register your SoundBar at www.philips.com/welcome.

Main unit

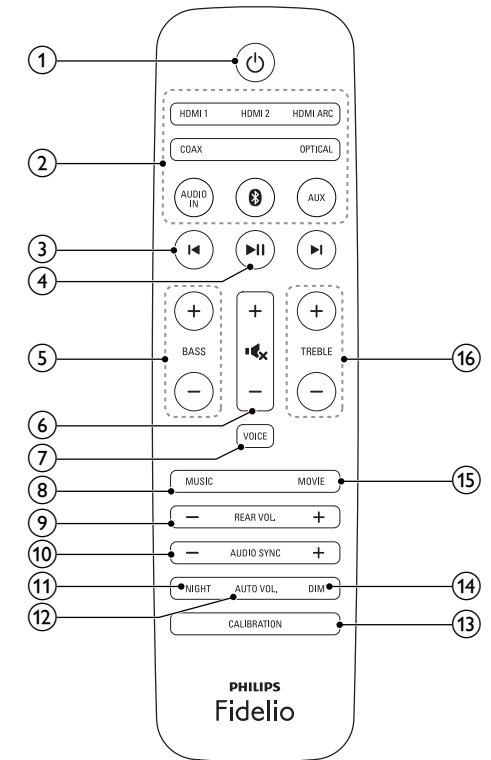
This section includes an overview of the main unit.



- ① **Display panel**
- ② **⏻ (Standby-On/Standby indicator)**
When the SoundBar is in standby, the standby indicator turns red.
- ③ **NFC tag**
Tap the NFC-enabled device on the tag for Bluetooth connection.

Remote control

This section includes an overview of the remote control.



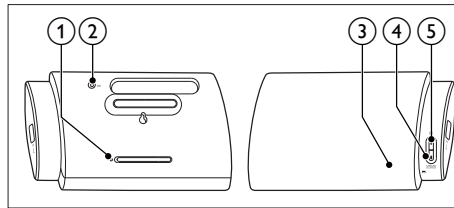
- ① **⏻**
Switch the SoundBar on or to standby.
- ② **Source buttons**
 - **HDMI ARC:** Switch your source to HDMI ARC connection.
 - **HDMI 1:** Switch your source to the HDMI IN 1 connection.
 - **HDMI 2:** Switch your source to the HDMI IN 2 connection.
 - **COAX:** Switch your audio source to the coaxial connection.
 - **OPTICAL:** Switch your audio source to the optical connection.
 - **AUDIO IN:** Switch your audio source to the MP3 connection (3.5mm jack).
 - **Bluetooth:** For Bluetooth on the main unit only: Switch to Bluetooth mode.
 - **AUX:** Switch your audio source to the AUX connection.

- ③ **⏮ / ⏭**
For Bluetooth on the main unit only: skip to the previous or next track.
- ④ **⏸**
For Bluetooth on the main unit only: play, pause or resume.
- ⑤ **BASS +/-**
Increase or decrease bass on the main unit.
- ⑥ **Volume control**
 - +/-: Increase or decrease volume.
 - : Mute or restore volume.
- ⑦ **VOICE**
 - Press to select voice clarity sound mode.
 - Press and hold to toggle on or off **CLOSE TO ME** (close to me) sound mode.
- ⑧ **MUSIC**
Select stereo sound mode.
- ⑨ **REAR VOL. +/-**
Press to increase or decrease volume of the portable left and right speakers (only applicable when the portable left and right speakers are wirelessly connected to the main unit (or **SURROUND ON DEMAND** mode switches on)).
- ⑩ **AUDIO SYNC +/-**
Increase or decrease audio delay.
- ⑪ **NIGHT**
Turn night mode on or off.
- ⑫ **AUTO VOL.**
Turn auto volume on or off.
- ⑬ **CALIBRATION**
 - Press and hold to trigger calibration for listening zone.
 - Press three times to trigger calibration for the portable left and right speakers position.
- ⑭ **DIM**
Set the brightness of SoundBar display panel.

- ⑮ **MOVIE**
Select surround sound mode.
- ⑯ **TREBLE +/-**
Increase or decrease treble on the main unit.

Wireless portable speakers

The SoundBar comes with two wireless portable speakers (left and right).



*The illustration above is for overview of the portable left speaker.

- ① **Reset key**
Press with a pin to reset the portable speaker to the default settings.
- ② **ON**
 - Press to turn on the portable speaker if it automatically goes to standby.
 - Press and hold to switch the portable speaker to standby.
- ③ **Speaker LED**
 - **Blinks in red and orange alternatively** if the portable speaker is not wirelessly connected to the main unit.
 - **Lights up white** when the portable speaker is wirelessly connected to the main unit, or when the battery capacity is full or more than 30% remaining.
 - **Lights up red** when the battery capacity is less than 30% remaining.
 - **Blinks red** when the battery capacity is less than 10% remaining.
 - **Lights up orange** when the portable speaker is being charged (only for the

portable speakers docked into the main unit).

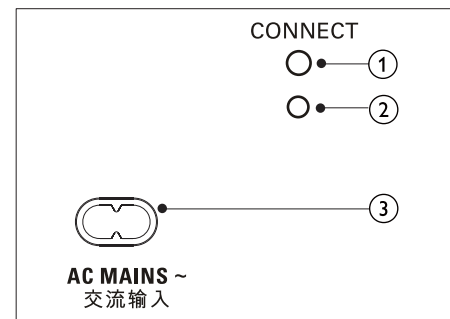
- ④ **SURROUND ON DEMAND** button/LED
 - Press to switch the portable speaker to **SURROUND ON DEMAND** mode.
 - The LED lights up white when the portable speaker is switched to **SURROUND ON DEMAND** mode.
- ⑤ **⓪** button/LED
 - Press to switch the portable speaker to Bluetooth mode.
 - The LED blinks when you switch the portable speaker to Bluetooth and no Bluetooth devices are connected.
 - The LED lights up when you switch the portable speaker to Bluetooth and Bluetooth devices are connected.

Note

- If you press the **⓪** button on the portable speaker, the portable speaker disconnects the main unit (or **SURROUND ON DEMAND** mode switches off).

Wireless subwoofer

The SoundBar comes with a wireless subwoofer.



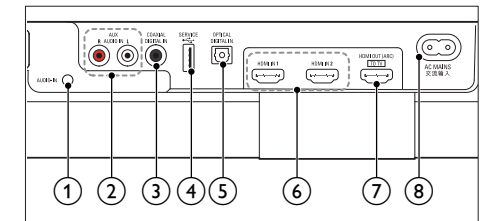
- ① **CONNECT** (connect)

Press to enter the pairing mode for the subwoofer:

- ② **Subwoofer indicator**
 - When the power is turned on, the indicator lights up.
 - During wireless pairing between the subwoofer and the main unit, the indicator blinks white quickly.
 - When the pairing succeeds, the indicator lights up white.
 - When the pairing fails, the indicator blinks white slowly.
- ③ **AC MAINS~**
Connect to the power supply.

Connectors

This section includes an overview of the connectors available on your SoundBar.



- ① **AUDIO-IN**
Audio input from, for example, an MP3 player (3.5mm jack).
- ② **AUX-AUDIO IN L/R**
Connect to an analog audio output on the TV or an analog device.
- ③ **DIGITAL IN-COAXIAL**
Connect to a coaxial audio output on the TV or a digital device.
- ④ **⚡ (SERVICE)**
Connect a USB flash drive to upgrade software of this product (not for media play).
- ⑤ **DIGITAL IN-OPTICAL**

Connect to an optical audio output on the TV or a digital device.

⑥ **HDMI IN1 / HDMI IN2**

Connect to the HDMI output on a digital device.

⑦ **TO TV-HDMI OUT (ARC)**

Connect to the HDMI (ARC) input on the TV.

⑧ **AC MAINS~**

Connect to the power supply.

3 Connect and set up

This section helps you connect your SoundBar to a TV and other devices, and then set it up. For information about the basic connections of your SoundBar and accessories, see the quick start guide.

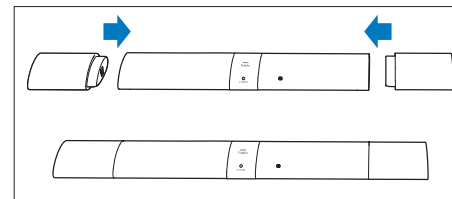
Note

- For identification and supply ratings, see the type plate at the back or bottom of the product.
- Before you make or change any connections, make sure that all devices are disconnected from the power outlet.

Charge portable speakers

If the portable left/right speaker is undocked from the main unit, its battery level is indicated by the LED on the speaker:

- **Light up white:** full battery or more than 30% capacity remaining
- **Light up red:** low battery level, less than 30% remaining
- **Flash red:** near empty, less than 10% remaining



- 1 Dock your portable speakers into the main unit to charge.
- 2 Turn on the main unit.
 - ↳ During charging, the LED on the portable speaker lights up orange.

- ↳ When fully charged, the LED on the portable speaker lights up white for 10 seconds.

Note

- It may take around two hours to fully charge the portable speakers.
- Battery performance varies due to many factors including volume, sound setting and media played.

Pair up with subwoofer/ speakers

The wireless speakers and subwoofer automatically pair up with the SoundBar for wireless connection when you turn on the SoundBar, the portable speakers and the subwoofer.

If no audio from the wireless speakers and subwoofer can be heard, manually pair up the portable speakers and the subwoofer:

Pair up with the subwoofer

- 1 Turn on the SoundBar and the subwoofer.
 - ↳ If the connection to the SoundBar is lost, the indicator on the subwoofer blinks white slowly.
- 2 Press the **CONNECT** (connect) button on the subwoofer to enter the pairing mode.
 - ↳ The indicator on the subwoofer blinks white quickly.
- 3 In **OPTICAL** mode (press **OPTICAL**), within six seconds, on the remote control, press **⏏** twice then **Volume +** once, and then hold down **BASS +**.
 - ↳ If the pairing succeeds, the indicator on the subwoofer lights up white.
 - ↳ If the pairing fails, the indicator on the subwoofer blinks white slowly.

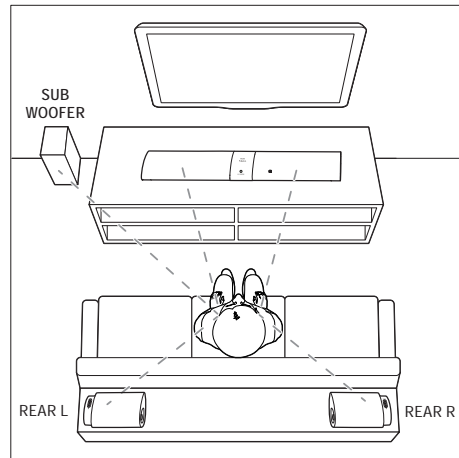
4 If the pairing fails, repeat the steps above.

Pair up with the speakers

- 1 Turn on the SoundBar and the portable speakers.
 - ↳ If the connection to the SoundBar is lost, the LED on the portable blinks in red and orange alternatively.
- 2 Dock the portable left and right speakers into the main unit to pair up automatically.
- 3 If the pairing fails, re-dock the portable speakers into the main unit.

Place speakers

For best sound effect, position all the speakers towards the seating position and place them close to your ear level (seated).



Note

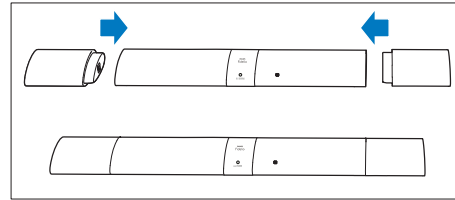
- Surround sound depends on factors such as room shape and size, type of wall and ceiling, windows and reflective surfaces, and speaker acoustics. Experiment with the speaker positions to find the optimum setting for you.

Follow these general guidelines for speakers placement.

- 1 **Seating position:**
This is the center of your listening area.
- 2 Place the SoundBar in front of the seating position.
- 3 **REAR L (rear left) and REAR R (rear right):**
Place the portable speakers (surround) to the left and right side of your seating position, either in line with it or slightly behind it.
- 4 **SUBWOOFER (subwoofer):**
Place the subwoofer at least one meter to the left or right of the TV. Leave about 10-centimeter clearance from the wall.

Dock the portable speakers

You can also dock the portable left and right speakers into the main unit to listen to audio, for example, watching TV shows and news.



Connect audio from TV

Connect this product to a TV. You can listen to audio from TV programs through the speakers of this product.

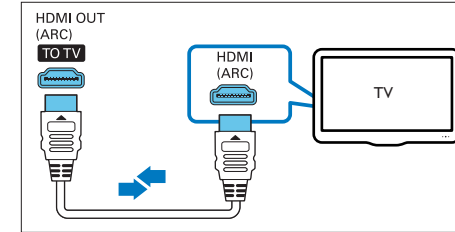
Option 1: Connect to TV through HDMI (ARC)

Best quality audio

This product supports HDMI with Audio Return Channel (ARC). With the ARC feature, you can hear the TV audio through this product by using a single HDMI cable.

What you need

- A High Speed HDMI Cable.
- Your TV supports both HDMI ARC and HDMI-CEC (see the TV user manual for details).
- For some TV models, enable the external speaker output from the TV setting menu (see the TV user manual for details).



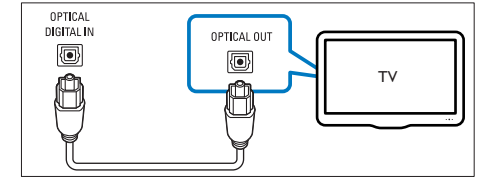
- 1 Using a High Speed HDMI cable, connect the **HDMI OUT (ARC)** connector on this product to the **HDMI ARC** connector on the TV.
 - The **HDMI ARC** connector on the TV might be labeled differently. For details, see the TV user manual.
- 2 On your TV, turn on HDMI-CEC operations.
 - For HDMI-CEC issues on your TV, see the TV user manual to make sure that the HDMI-CEC setup is correct, or contact the TV manufacturer if needed.
- 3 Press **HDMI ARC** on the remote control of this product to enable the HDMI ARC connection.

Note

- 100% interoperability with all HDMI-CEC devices is not guaranteed.
- If your TV is not HDMI ARC compliant, connect an audio cable to hear the TV audio through this product.

Option 2: Connect to TV through optical cable

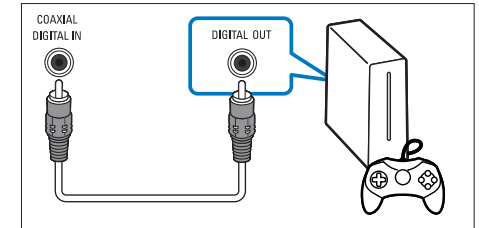
Best quality audio



- 1 Using an optical cable, connect the **OPTICAL** connector on this product to the optical output on the TV.
 - The digital optical output on the TV might be labeled **OPTICAL OUT**, **SPDIF** or **SPDIF OUT**.
- 2 Press **OPTICAL** on the remote control of this product to enable the optical connection.

Option 3: Connect to TV through coaxial cable

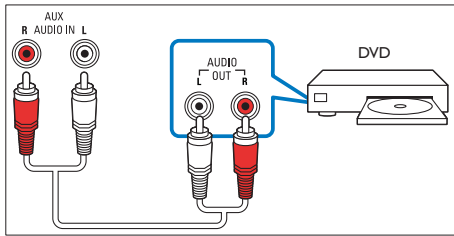
Best quality audio



- 1 Using a coaxial cable, connect the **COAXIAL** connector on this product to the coaxial output on the TV.
 - The digital coaxial output on the TV might be labeled **COAXIAL/DIGITAL OUT** or **DIGITAL AUDIO OUT**.
- 2 Press **COAX** on the remote control of this product to enable the coaxial connection.

Option 4: Connect to TV through analog audio cables

Basic quality audio



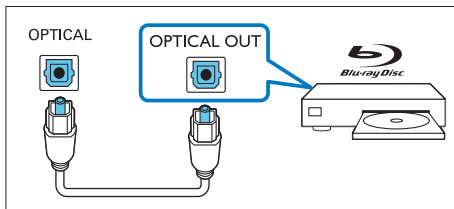
- 1 Using an analog audio cable, connect the **AUX** connectors on this product to the analog audio output on the TV.
 - The analog audio output on the TV might be labeled **AUDIO OUT**.
- 2 Press **AUX** on the remote control of this product to enable the analog audio connection.

Connect audio from other devices

You may also play audio from other devices through the speakers of this product.

Option 1: Connect to other device through optical cable

Best quality audio

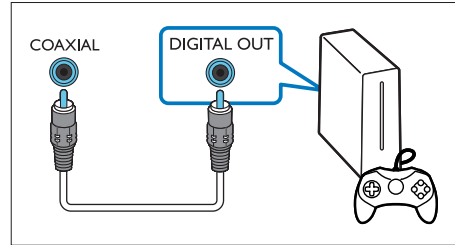


- 1 Using an optical cable, connect the **OPTICAL** connector on this product to the optical output on the external device.
 - The digital optical output on the external device might be labeled **OPTICAL OUT**, **SPDIF** or **SPDIF OUT**.

- 2 Press **OPTICAL** on the remote control of this product to enable the optical connection.

Option 2: Connect to other device through coaxial cable

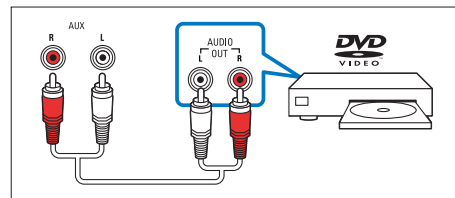
Best quality audio



- 1 Using a coaxial cable, connect the **COAXIAL** connector on this product to the coaxial output on the external device.
 - The digital coaxial output on the external device might be labeled **COAXIAL/DIGITAL OUT** or **DIGITAL AUDIO OUT**.
- 2 Press **COAX** on the remote control of this product to enable the coaxial connection.

Option 3: Connect to other device through analog audio cables

Basic quality audio



- 1 Using an analog audio cable, connect the **AUX** connector on this product to the analog audio output on the external device.

- The analog audio output on the external device might be labeled **AUDIO OUT**.

- 2 Press **AUX** on the remote control of this product to enable the analog audio connection.

Connect digital devices through HDMI

Connect a digital device such as a set-top box, DVD/Blu-ray player, or games console to this product through a single HDMI connection. When you connect the devices in this way and play a file or game, the

- video is automatically displayed on your TV, and
- audio is automatically played on this product.

- 1 Using a High Speed HDMI cable, connect the **HDMI OUT** connector on your digital device to the **HDMI IN** on this product.
- 2 Connect this product to TV through **HDMI OUT (ARC)**.
 - If the TV is not HDMI CEC compliant, select the correct video input on your TV.
- 3 On the connected device, turn on HDMI-CEC operations.
 - For HDMI-CEC issues on your TV, see the TV user manual and ensure the HDMI-CEC setup is correct, or contact the TV manufacturer if needed.
- 4 Press **HDMI IN** on the remote control of this product to enable the HDMI IN connection.

4 Spatial calibration

Spatial calibration is used to achieve the following convenience, and simultaneously optimizes surround sound experience for it.

- Have freedom to place the portable left and right speakers (surround) according to your need.
- Automatically balance the portable speakers (surround) with respect to your seating position.

The spatial calibration involves two steps.

- **Step 1:** calibrate the listening zone
- **Step 2:** calibrate the surround speaker position

When to calibrate

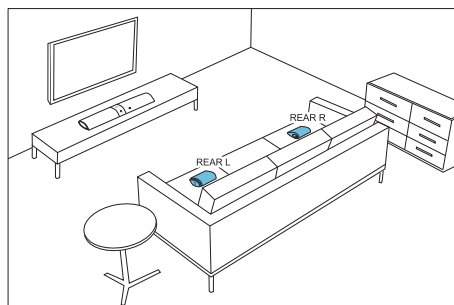
- If you perform spatial calibration for the first time, perform **Step 1** and **Step 2** in sequence.
- If you re-design your seating layout, perform **Step 1** and **Step 2** in sequence.
- If you re-locate the portable left and right speakers (surround), perform **Step 2** independently (**Step 1** can be skipped).

Before you start

- Make sure that the room is fairly quiet.
- Place the portable left and right speakers angled towards the main unit.
- Make sure that the main unit, the portable left and right speakers can fully "see" each other; no obstacle between them blocking such view. Stand the portable speakers upright if needed.
- The minimum distance between the portable speakers and the main unit is 0.8m (2.6'), the maximum distance 6m (20').

Step 1: calibrate the listening zone

- 1 Place the portable left and right speakers on two seating positions you prefer most (such as on a sofa).
 - Make sure that the portable left and right speakers are wirelessly connected to the main unit (press **SURROUND ON DEMAND** on the speaker).

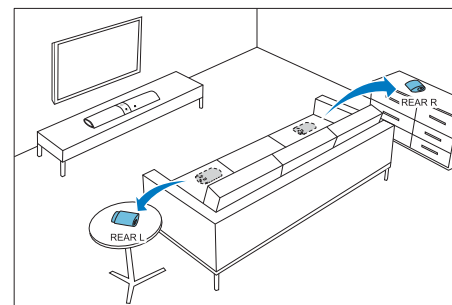


- 2 Press and hold **CALIBRATION** on the remote control for three seconds to trigger calibration.
 - ↳ **ZONE** (zone) is displayed on the display panel.
 - ↳ You can hear the calibration tones from the portable speakers.
- 3 Wait until the calibration tones end.
 - ↳ **->SPKR** (speaker) is displayed on the display panel.
- 4 Then perform the following Step 2 (calibrate the surround speaker position) to complete and store the new settings.

Step 2: calibrate the surround speaker position

- 1 Place the portable left and right speakers (surround) on the position you prefer:

- Make sure that the portable left and right speakers are wirelessly connected to the main unit (press **SURROUND ON DEMAND** on the speaker).



- 2 Press **CALIBRATION** once to trigger calibration.
 - Press **CALIBRATION** three times to trigger calibration if you re-locate the portable left and right speakers and skip Step 1 (calibrate the listening zone) after you completed a round of spatial calibration previously.
 - ↳ You can hear the calibration tones from the portable speakers.
- 3 Wait until the calibration tones end.
 - ↳ If the calibration succeeds, **DONE** (done) is displayed on the display panel. And the new settings are stored.

Note

- Spatial calibration takes around three minutes.
- Surround sound improvement is only noticeable if the portable left and right speakers (surround) were improperly placed, or if there is strong surround effect in the music you play.
- If the portable left and right speakers are swapped in placement, during calibration **L<->R** is displayed for few seconds, then the calibration completes.
- During calibration, you may press **CALIBRATION** to cancel calibration, and the settings returns to the default.
- If the spatial calibration fails, an error message is displayed on the display panel, such as **FAIL** (fail), and the settings returns to the default.
- If the spatial calibration fails, try the spatial calibration again, and make sure that the calibration points described at the beginning of this chapter are fully met.

5 Use your SoundBar

This section helps you use the SoundBar to play audio from connected devices.

Before you start

- Make the necessary connections described in the quick start guide and the user manual.
- Switch the SoundBar to the correct source for other devices.

Adjust the volume

- 1 Press **+/- (Volume)** to increase or decrease a volume level.
 - To mute sound, press **M**.
 - To restore the sound, press **M** again or press **+/- (Volume)**.

For the portable left and right speakers only

- 1 When the portable left and right speakers are wirelessly connected to the main unit (in **SURROUND ON DEMAND** mode), press **REAR VOL. +/-** to increase or decrease a volume level.

Choose your sound

This section helps you choose the ideal sound for your video or music.

Surround sound mode

Experience an immersive audio experience with surround sound modes.

- Press **MOVIE** to create a surround listening experience. Ideal for watching movie.
- Press **MUSIC** to create stereo sound. Ideal for listening to music.

Voice clarity

It makes human voice more clear and outstanding for listening.

- 1 Press **VOICE** to switch to voice clarity.
 - ↳ When voice clarity is turned on, **VOICE** is displayed.
- 2 To exit this sound mode, press **MOVIE** or **MUSIC** to select other sound mode.

CLOSE TO ME (close to me)

For ultimate clear sound without disturbing your neighbors, place both the portable left and right speakers close to you, and activate this feature (to mute the main unit).

Note

- It is applicable only when the portable left and right speakers are wirelessly connected to the main unit (or **SURROUND ON DEMAND** mode switches on).
- If **CLOSE TO ME** (close to me) is turned on, the functions for **MOVIE** and **MUSIC** buttons are disabled.

- 1 Press and hold **VOICE** for three seconds to activate the feature.
 - ↳ **CLOSE TO ME** (close to me) scrolls once on the display panel.
 - ↳ The main unit is muted.
- 2 To exit this sound mode, press and hold **VOICE** again for three seconds.
 - ↳ The previous sound mode switches in.

Equalizer

Change the high frequency (treble) and low frequency (bass) settings of the SoundBar.

- 1 Press **TREBLE +/-** or **BASS +/-** to change the frequency.

Auto volume

Turn the auto volume on to keep the volume constant when you switch to a different source.

It also compresses the sound dynamics, increasing the volume for quiet scenes and decreasing the volume for loud scenes.

- 1 Press **AUTO VOL.** to turn auto volume on or off.
 - ↳ When auto volume is turned on, **ON AUTO** scrolls once on the display panel.
 - ↳ When auto volume is turned off, **OFF AUTO** scrolls once on the display panel.

Synchronize video and sound

If the audio and video are not synchronized, delay the audio to match the video.

- 1 Press **AUDIO SYNC +/-** to synchronize the audio with the video.
 - **AUDIO SYNC +** increases the sound delay, and **AUDIO SYNC -** decreases the sound delay.

Night mode

For quiet listening, night mode decreases the volume of loud sounds when audio is played. Night mode is only available for Dolby Digital soundtracks.

- 1 Press **NIGHT** to turn night mode on or off.
 - ↳ When night mode is turned on, **ON NIGHT** scrolls once on the display panel.
 - ↳ When night mode is turned off, **OFF NIGHT** scrolls once on the display panel.

Note

- If auto volume is set to turned on, you cannot enable the night mode.

MP3 player

Connect your MP3 player to play your audio files or music.

What you need

- An MP3 player.
- A 3.5mm stereo audio cable.

- 1 Using the 3.5mm stereo audio cable, connect the MP3 player to the **AUDIO IN** connector on your SoundBar.
- 2 Press **AUDIO IN**.
- 3 Press the buttons on the MP3 player to select and play audio files or music.
 - On the MP3 player, it is recommended to set the volume in the range of 80% maximum volume.

Play music via Bluetooth

Through Bluetooth, connect the SoundBar with your Bluetooth device (such as an iPad, iPhone, iPod touch, Android phone, or laptop), and then you can listen to the audio files stored on the device through your SoundBar speakers.

What you need

- A Bluetooth device which supports Bluetooth profile A2DP, and with Bluetooth version as 2.1 + EDR.
- The maximum operational range between the SoundBar and a Bluetooth device is approximately 10 meters (30 feet).

Note

- The music streaming may be interrupted by obstacles between the device and this product, such as wall, metallic casing that covers the device, or other devices nearby that operate in the same frequency.
- If you want to connect this product with another Bluetooth device, break the current Bluetooth connection.

Bluetooth on the main unit

- 1 Press **Ⓞ** on the remote control to switch the main unit to Bluetooth mode.
↳ **BT** on the display blinks.
- 2 On the Bluetooth device, switch on Bluetooth, search for and select **Fidelio B5** to start connection (see the user manual of the Bluetooth device on how to enable Bluetooth).
↳ During connection, **BT** on the display blinks.
- 3 Wait until **BT** on the display lights up.
↳ If the connection succeeds, **BT** on the display lights up.
↳ If the connection fails, **BT** on the display blinks.
- 4 Select and play audio files or music on your Bluetooth device.
 - During play, if a call is coming, music play is paused.
 - If music streaming is interrupted, place the Bluetooth device closer to the main unit.
- 5 To exit Bluetooth, select other source.
↳ When you switch back to Bluetooth mode, Bluetooth connection resumes.
 - To break the current Bluetooth connection, press and hold **Ⓞ** on the remote control.

Bluetooth on a single speaker

You can use the portable left or the portable right speaker as a standalone Bluetooth speaker, independently from the main unit.

- 1 Press the **Ⓞ** button on the left or right speaker to switch to Bluetooth mode.
↳ The **Ⓞ** LED on the left or right speaker blinks.
- 2 On the Bluetooth device, switch on Bluetooth, search for and select the name of the left or right speaker to start connection (see the user manual of the

Bluetooth device on how to enable Bluetooth).

- **B5 -L portable** stands for the portable left speaker; **B5 -R portable** for the portable right speaker.
↳ During connection, the **Ⓞ** LED on the left or right speaker blinks.
- 3 Wait until the **Ⓞ** LED on the portable speaker lights up.
↳ If the connection succeeds, connection tone is heard, and the **Ⓞ** LED on the portable speaker lights up.
↳ If the connection fails, the **Ⓞ** LED on the portable speaker blinks.
 - 4 Select and play audio files or music on your Bluetooth device.
 - During play, if a call is coming, music play is paused.
 - If music streaming is interrupted, place the Bluetooth device closer to the main unit.
 - 5 To exit Bluetooth, press the **SURROUND ON DEMAND** button on the speaker.
↳ When you switch back to Bluetooth mode, Bluetooth connection resumes.
 - To break the current Bluetooth connection, press and hold the **Ⓞ** button on the speaker.

Note

- The function of the remote control is not available to a standalone Bluetooth speaker (the portable left or right speaker).

Connect Bluetooth via NFC

NFC (Near Field Communication) is a technology that enables short-range wireless communication between NFC-enabled devices, such as mobile phones.

What you need

- A Bluetooth device with NFC function.

- For pairing, tap the NFC device on the **NFC** tag of the main unit.

Note

- NFC feature is only available to the main unit, not available to the portable left and right speakers.

- 1 Enable NFC on the Bluetooth device (see the device's user manual for details).
- 2 Tap the NFC device onto the **NFC** tag of the main unit until the SoundBar beeps.
 - For first time connection, on some mobile devices prompt for pair-up appears, select "YES" for connection.
↳ When the Bluetooth connection succeeds, **BT** is displayed on the display panel.
↳ If the connection fails, **BT** on the display panel blinks continuously.
- 3 Select and play audio files or music on your NFC device.
 - To break the connection, tap again the NFC device onto the **NFC** tag on the main unit.

Auto standby

When playing media from a connected device, the SoundBar automatically switches to standby if:

- no source button is pressed for 15 minutes, and
- no audio/video playback is detected from a connected device.

Set display brightness

You can press **DIM** repeatedly to select a different brightness level of the display panel on this product.

- If you select **DIM** **○** (dim) on the display, the display turns off after 10 seconds each

time you press a button on the remote control.

Apply factory settings

You can reset this product to the default settings programmed at the factory.

- 1 In AUX mode, on the remote control press **Volume -**, **BASS -**, and **TREBLE -** in sequence within three seconds.
↳ When the factory settings restore is complete, the product automatically switches off and restarts.

6 Update software

To get the best features and support, update your product with the latest software.

What you need



- A USB flash drive that is FAT-formatted. Do not use a USB hard drive.
- A computer with Internet access.
- An archive utility that supports the ZIP file format.

Check software version

In HDMI ARC source, on the remote control press **TREBLE -**, **BASS -**, and **Volume -** in sequence within three seconds.

- ↳ The software version number is displayed on the display panel.

Update software via USB

- 1 Check the latest software version on www.philips.com/support.
 - Search for your model and click on "Software and drivers".
- 2 Download the software into a USB flash drive.
 - ① Unzip the download if zipped, and make sure that the unzipped folder is named "UPG".
 - ② Put the "UPG" folder in the root directory.
- 3 Connect the USB flash drive to the  (SERVICE) connector on this product.
- 4 Switch this product to HDMI ARC source (press **HDMI ARC**).
- 5 On the remote control, within 6 seconds press  twice then **Volume +** once, and then hold down **MOVIE**.

- ↳ Then "UPG" (upgrade) is displayed on the display panel.

- 6 Wait until the upgrade is completed.
 - ↳ If the upgrade is complete, this product automatically turns off and on again.

! Caution

- Do not turn off the power or remove the USB flash drive when the software update is in progress because you might damage this product.
- The upgrade time may take around eight minutes.

7 Wall mount your SoundBar

Before you mount your SoundBar on the wall, read all safety precautions.

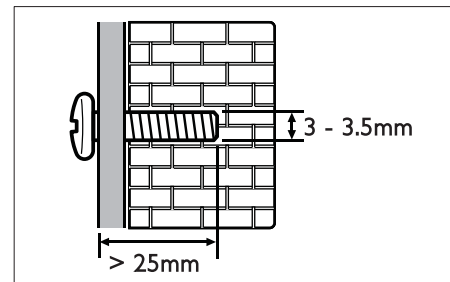
Wall mount

≡ Note

- You must detach the portable speakers from the main unit before wall mounting or un-mounting.
- Improper wall mounting may result in accident, injury or damage. If you have any query, contact Consumer Care in your country.
- Secure the wall mount to a wall that can support the combined weight of the product and the wall mount.
- Before wall mount, you need not remove the four rubber feet at the bottom of the soundbar; otherwise the rubber feet cannot be fixed back.

Screw length/diameter

Depend on the type of wall mounting this wall mount bracket, make sure that you use screws of a suitable length and diameter.



See the illustration on the separate wall mount sheet on how to wall mount the SoundBar:

- 1) Drill holes on the wall.
- 2) Secure the wall bracket on the wall with the dowels and screws.
- 3) Hang the SoundBar on the wall bracket.

8 Product specifications

Note

- Specifications and design are subject to change without notice.

Amplifier

- FTC total output power: 66W
 - Front Left + Right: 16W (1%THD, 8ohm, 150Hz-20kHz)
 - Surround Left + Right: 20W (1%THD, 8ohm, 150Hz-20kHz)
 - Subwoofer: 30W (1%THD, 4ohm, 30Hz-140Hz)
- Total output power: 210W RMS (+/- 0.5 dB, 30% THD) / 168W RMS (+/- 0.5 dB, 10% THD)
- Frequency response: 20 Hz-20 kHz / ±3 dB
- Signal-to-noise ratio: > 65 dB (CCIR) / (A-weighted)
- Input sensitivity:
 - AUX: 750 mV
 - AUDIO IN: 400 mV

Audio

- S/PDIF Digital audio input:
 - Coaxial: IEC 60958-3
 - Optical: TOSLINK

Bluetooth

- Bluetooth profiles: A2DP
- Bluetooth version: 2.1 + EDR

Main unit

- Power supply: 110-240V~, 50-60 Hz

- Power consumption: 50 W
- Standby power consumption: ≤ 0.5 W
- Dimensions (WxHxD): 1035 x 73 x 156 mm (with portable left and right speakers attached)
- Weight: 4.4 kg
- Built-in speakers**
 - 2 x woofer (76 mm/3", 8 ohm)
 - 2 x tweeter (25.4 mm/1", 8 ohm)

Portable speakers

- Speaker impedance: 8 ohm
- Speaker drivers: 2 x 76 mm (3") full range
- Dimensions (WxHxD): 191 x 73 x 156 mm
- Weight: 0.86 kg/each

Subwoofer

- Power supply: 110-240 V~, 50-60 Hz
- Power consumption: 30 W
- Standby power consumption: ≤ 0.5 W
- Impedance: 4 ohm
- Speaker drivers: 1 x 165 mm (6.5") woofer
- Dimensions (WxHxD): 200 x 510 x 201 mm
- Weight: 4.9 kg

Wall mount

- Dimensions (WxHxD): 40 x 100 x 26.5 mm
- Weight: 0.1 kg/each

Remote control batteries

- 2 x AAA-R03-1.5 V

9 Troubleshooting



Warning

- Risk of electric shock. Never remove the casing of the product.

To keep the warranty valid, never try to repair the product yourself.

If you have problems using this product, check the following points before you request service. If you still have a problem, get support at www.philips.com/support.

Sound

No sound from the speakers of this product.

- Connect the audio cable from this product to your TV or other devices. However, you do not need a separate audio connection when:
 - This product and TV are connected through **HDMI ARC** connection, or
 - a device is connected to the **HDMI IN** connector on this product.
- Make sure that you connect the audio input on this product to the audio output on your TV or other devices.
- On the remote control, select the correct audio input.
- Reset this product to its factory settings.
- Make sure that this product is not muted.

No sound from the wireless portable speakers.

- Make sure that the wireless portable speaker is turned on. Press **ON** on the bottom of the wireless portable speaker.
- Dock the wireless portable speakers into the main unit to charge the battery.
- If you intend the wireless portable speaker to wirelessly connect to the main unit, make sure that you press the **SURROUND ON DEMAND** button on the wireless portable speaker.

- If you intend the wireless portable speaker to be a standalone Bluetooth speaker, make sure that you connect the portable left or right speaker to a Bluetooth device (see 'Bluetooth on a single speaker' on page 18).

No sound from the wireless subwoofer.

- Wirelessly connect the subwoofer to the main unit.

Distorted sound or echo.

- If you play audio from the TV through the SoundBar, make sure that the TV is muted.

Audio and video are not synchronized.

- Press **AUDIO SYNC +/-** to synchronize the audio with the video.

Bluetooth

A device cannot connect with the SoundBar.

- The device does not support the compatible profiles required for the SoundBar.
- You have not enabled the Bluetooth function of the device. See the user manual of the device on how to enable the function.
- The device is not correctly connected. Connect the device correctly.
- The SoundBar is already connected with another Bluetooth device. Disconnect the connected device, then try again.

Quality of audio play from a connected Bluetooth device is poor.

- The Bluetooth reception is poor: Move the device closer to the SoundBar, or remove any obstacle between the device and the SoundBar.

The connected Bluetooth device connects and disconnects constantly.

- The Bluetooth reception is poor: Move the device closer to the SoundBar, or remove any obstacle between the device and the SoundBar.
- Turn off Wi-Fi function on the Bluetooth device to avoid interference.
- For some Bluetooth, the Bluetooth connection can be deactivated

automatically to save power. This does not indicate any malfunction of the SoundBar.

Spatial calibration

Why spatial calibration is needed?

- Spatial calibration optimizes surround sound experience if your portable left and right speakers (surround) are not properly placed.

Improvement in surround sound is not noticeable after successful spatial calibration.

- Surround sound improvement is only noticeable if the portable left and right speakers (surround) were improperly placed, or if there is strong surround effect in the music you play.

Error message is displayed on the display panel.

- If spatial calibration fails, one of the following error messages is displayed. Refer to the fourth chapter (Spatial calibration) for details to re-calibrate.
 - **FAIL** (fail): indicates that the portable left/right speaker is not in **SURROUND ON DEMAND** mode or out of calibration range, or there is some obstacle by which the main unit, the portable left and right speakers cannot completely "see" each other.
 - **BATT LOW** (battery low): indicates that the portable left/right speaker has low battery.
 - **ERR1** (error): indicates that the portable left and right speakers are not detached from the main unit.

10 Notice

This section contains the legal and trademark notices.

Notice of compliance

The device complies with the FCC rules, Part 15. Operation is subject to the following two conditions:

- ① **This device may not cause harmful interference, and**
- ② **This device must accept any interference received, including interference that may cause undesired operation.**

FCC rules

This equipment has been tested and found to comply with the limits for a Class B digital device, pursuant to part 15 of the FCC Rules. These limits are designed to provide reasonable protection against harmful interference in a residential installation. This equipment generates, uses and can radiate radio frequency energy and, if not installed and used in accordance with the instruction manual, may cause harmful interference to radio communications. However, there is no guarantee that interference will not occur in a particular installation. If this equipment does cause harmful interference to radio or television reception, which can be determined by turning the equipment off and on, the user is encouraged to try to correct the interference by one or more of the following measures:

- Relocate the receiving antenna.
- Increase the separation between equipment and receiver.
- Connect the equipment into an outlet on a circuit different from that to which the receiver is connected.
- Consult the dealer or an experienced radio/TV technician for help.

FCC Radiation Exposure Statement: This equipment complies with FCC radiation exposure limits set forth for an uncontrolled environment. This equipment should be installed and operated with a minimum distance of 20cm between the radiator and your body. This transmitter must not be co-located or operated in conjunction with any other antenna or transmitter.

Warning: Any changes or modifications made to this device that are not expressly approved by Gibson Innovations may void the user's authority to operate the equipment.

Trade Name: Philips

Model number: B5/37

Wireless Speaker Model number: WSB5

Responsible Party: P&F USA, Inc. PO Box 2248 Alpharetta, GA 30023-2248; 1-866-226-6074

Canada:

CAN ICES-3(B)/NMB-3(B)

This device complies with Industry Canada licence-exempt RSS standard(s). Operation is subject to the following Two conditions: (1) this device may not cause harmful interference, and (2) this device must accept any interference received, including interference that may cause undesired operation.

Trademarks



For DTS patents, see <http://patents.dts.com>. Manufactured under license from DTS Licensing Limited. DTS, the Symbol, & DTS and the Symbol together are registered trademarks, and DTS Digital Surround is a trademark of DTS, Inc. © DTS, Inc. All Rights Reserved.



Manufactured under license from Dolby Laboratories. Dolby, Pro Logic, and the double-D symbol are trademarks of Dolby Laboratories.



The terms HDMI and HDMI High-Definition Multimedia Interface, and the HDMI Logo are trademarks or registered trademarks of HDMI Licensing LLC in the United States and other countries.



The Bluetooth[®] word mark and logos are registered trademarks owned by Bluetooth SIG, Inc. and any use of such marks by Gibson Innovations Limited is under license. Other trademarks and trade names are those of their respective owners.



The N Mark is a trademark or registered trademark of NFC Forum, Inc. in the United States and in other countries.



© 2013 CSR plc and its group companies. The aptX[®] mark and the aptX logo are trade marks of CSR plc or one of its group companies and may be registered in one or more jurisdictions.



2015 ©WOOX Innovations Limited.All rights reserved.

Philips and the Philips' Shield Emblem are registered trademarks of Koninklijke Philips N.V. and are used by WOOX Innovations Limited under license from Koninklijke Philips N.V.

000000000000



English

Important

Read and understand all instructions before you use your product. If damage is caused by failure to follow instructions, the warranty does not apply.

Help and support

For extensive online support, visit www.philips.com/support to:

- download the user manual and the quick start guide
- watch video tutorials (available only for selected models)
- find answers to frequently answered questions (FAQs)
- email us a question

• chat with our support representative.

Follow the instructions on the website to select your language, and then enter your product model number. Alternatively, you can contact Consumer Care in your country. Before you contact, note down the model number and serial number of your product. You can find this information on the back or bottom of your product.

Important safety instructions

- Read these instructions.
- Keep these instructions.
- Heed all warnings.
- Follow all instructions.
- Do not use this apparatus near water.
- Clean only with dry cloth.
- Do not block any ventilation openings. Install in accordance with the manufacturer's instructions.
- Do not install near any heat sources such as radiators, heat registers, stoves, or other apparatus (including amplifiers) that produce heat.
- Do not defeat the safety purpose of the polarized or grounding-type plug. A polarized plug has two blades with one wider than the other. A grounding type plug has two blades and a third grounding prong. The wide blade or the third prong are provided for your safety. If the provided plug does not fit into your outlet, consult an electrician for replacement of the obsolete outlet.
- Protect the power cord from being walked on or pinched, particularly at plugs, convenience receptacles, and the point where they exit from the apparatus.
- Only use attachments/accessories specified by the manufacturer.
- Use only with the care, stand, tripod, bracket or table specified by the manufacturer or sold with the apparatus. When a cart is used, use caution when moving the cart/apparatus combination to avoid injury from tip-over.
- Unplug this apparatus during lightning storm or when unused for long periods of time.
- Refer all servicing to qualified service personnel. Servicing is required when the apparatus has been damaged in any way, such as power-supply cord or plug is damaged, liquid has been spilled or objects have fallen into the apparatus, the apparatus has been exposed to rain or moisture, does not operate normally, or has been dropped.
- Battery usage CAUTION - To prevent battery leakage which may result in bodily injury, property damage, or damage to the unit:
 - Install all batteries correctly, + and - as marked on the unit.
 - Do not mix batteries (old and new or carbon and alkaline etc.).
 - Remove batteries when the unit is not used for a long time.
 - The batteries shall not be exposed to excessive heat such as sunshine, fire or the like.
 - Perchlorate Material - special handling may apply. See www.dtsc.ca.gov/hazardouswaste/perchlorate.
- The product/remote control may contain a coin/button type battery, which can be swallowed. Keep the battery out of reach of children at all times! If swallowed, the battery can cause serious injury or death. Severe internal burns can occur within two hours of ingestion. If you suspect that a battery has been swallowed or placed inside any part of the body, seek immediate medical attention.
- When you change the batteries, always keep all new and used batteries out of reach of children. Ensure that the battery compartment is completely secure after you replace the battery. If the battery compartment cannot be completely secured, discontinue use of the product. Keep out of reach of children and contact the manufacturer.
- Apparatus shall not be exposed to dripping or splashing.
- Do not place any sources of danger on the apparatus (for example, liquid filled objects, litged candles).
- This apparatus may contain lead and mercury. Dispose according to local, State or Federal laws. For disposal or recycling information, please contact your local authorities. For additional assistance on recycling options, please contact www.mygreenelectronics.com or www.eiae.org or www.recycle.philips.com.
- Where the MAINS plug or an appliance coupler is used as the disconnect device, the disconnect device shall remain readily operable.
- Do not place this apparatus on the furniture that is capable of being tilted by a child and an adult leaning, pulling, standing or climbing on it. A falling apparatus can cause serious injury or even death.
- This apparatus should not be placed in a built-in installation such as a bookcase or rack unless proper ventilation is provided. Make sure to leave a space of 7.8 inches (20cm) or more around this apparatus.

Class II equipment symbol



This symbol indicates that the unit has a double insulation system.



This bolt of lightning indicates unshielded material within your unit may cause an electrical shock. For the safety of everyone in your household, please do not remove product covering.



The 'exclamation mark' calls attention to features for which you should read the enclosed literature closely to prevent operating and maintenance problems.

WARNING: To reduce the risk of fire or electric shock, this apparatus should not be exposed to rain or moisture and objects filled with liquids, such as vases, should not be placed on this apparatus. **CAUTION:** To prevent electric shock, match wide blade of plug to wide slot, fully insert.

Care for your product

Use only microfibre cloth to clean the product.

Care of the environment

Disposal of your old product and battery



Your product is designed and manufactured with high quality materials and components, which can be recycled and reused.

This product may contain lead and mercury. Disposal of these materials may be regulated due to environmental considerations. For disposal or recycling information, please contact your local authorities.

This product contains batteries:

- Dispose of batteries properly. Do not incinerate. Batteries may explode if overheated.
- Do not wrap in metal or aluminum foil. Wrap in newspaper before discarding.
- It is suggested that you contact your local town or city to determine proper battery redemption site(s) in your area.
- Please visit www.call2recycle.org for additional information on a recycling center in your area for rechargeable batteries.

Notice of compliance

The device complies with the FCC rules, Part 15. Operation is subject to the following two conditions:

- 1 This device may not cause harmful interference, and
- 2 This device must accept any interference received, including interference that may cause undesired operation.

FCC rules

This equipment has been tested and found to comply with the limits for a Class B digital device, pursuant to part 15 of the FCC Rules. These limits are designed to provide reasonable protection against harmful interference in a residential installation. This equipment generates, uses and can radiate radio frequency energy and, if not installed and used in accordance with the instruction manual, may cause harmful interference to radio communications.

However, there is no guarantee that interference will not occur in a particular installation. If this equipment does cause harmful interference to radio or television reception, which can be determined by turning the equipment off and on, the user is encouraged to try to correct the interference by one or more of the following measures:

- Reposition the receiving antenna.
- Increase the separation between equipment and receiver.
- Connect the equipment into an outlet on a circuit different from that to which the receiver is connected.
- Consult the dealer or an experienced radio/TV technician for help.

FCC Radiation Exposure Statement:

This equipment complies with FCC radiation exposure limits set forth for an uncontrolled environment. This equipment should be installed and operated with a minimum distance of 20cm between the radiator and your body. This transmitter must not be co-located or operated in conjunction with any other antenna or transmitter.

Warning: Any changes or modifications made to this device that are not expressly approved by Gibson Innovations may void the user's authority to operate the equipment.

Model Number : BS/37

Trade Name: Philips

Responsible Party: P&F USA, Inc. PO Box 2248 Alpharetta, GA 30023-2248, 1 (866) 226-6074

Canada:

CAN ICES-3(B)/NMB-3(B)

This device complies with Industry Canada licence-exempt RSSs. Operation is subject to the following two conditions: (1) this device may not cause harmful interference, and (2) this device must accept any interference received, including interference that may cause undesired operation.

ONE (1) YEAR LIMITED WARRANTY

WARRANTY COVERAGE:

This warranty obligation is limited to the terms set forth below.

WHO IS COVERED:

This product is warranted to the original purchaser or the person receiving the product as a gift, against defects in materials and workmanship based on the date of original purchase. ("Warranty Period" from an Authorized Dealer. The original sales receipt showing the product name and the purchase date from an authorized retailer is considered such proof.

WHAT IS COVERED:

This warranty covers new products if a defect in material or workmanship occurs and a valid claim is received within the Warranty Period. At its option, the company will either (1) repair the product at no charge, using new or refurbished replacement parts, or (2) exchange the product with a product that is new or which has been manufactured from new, or serviceable used parts and is at least functionally equivalent or most comparable to the original product in current inventory. (3) refund the original purchase price of the product. The company warrants replacement products or parts provided under this warranty against defects in materials and workmanship from the date of the replacement or repair for ninety (90) days or for the remaining portion of the original product's warranty, whichever provides longer coverage for you. When a product or part is exchanged, any replacement item becomes your property and the replacement item becomes the company property. When a refund is given, your product becomes the company property. **Note: Any product sold and identified as refurbished or renewed carries a ninety (90) day limited warranty.**

Replacement product can only be sent if all warranty requirements are met. Failure to follow all requirements can result in delay.

WHAT IS NOT COVERED - EXCLUSIONS AND LIMITATIONS:

This Limited Warranty applies only to the new products that can be identified by the trademark, trade name, or logo affixed to it. This Limited Warranty does not apply to any non-Philips hardware product or any software, even if packaged or sold with the product. Non-Philips manufacturers, suppliers, or publishers may provide a separate warranty for their own products packaged with the bundled product.

The company is not liable for any damage to or loss of any programs, data, or other information stored on any media contained within the product, or any non-Philips product or part not covered by this warranty. Recovery or reinstallation of programs, data or other information is not covered under this Limited Warranty.

This warranty does not apply (a) to damage caused by accident, abuse, misuse, neglect, misapplication, or to non-Philips product, (b) to damage caused by service performed by anyone other than an Authorized Service Location, (c) to a product or a part that has been modified without written permission.

This warranty gives you specific legal rights. You may have other rights which vary from state/province to state/province.

P&F USA Inc. PO Box 2248 Alpharetta, GA 30023-2248

Español

Importante

Lea y asegúrese de comprender todas las instrucciones antes de usar el producto. La garantía no cubre los daños producidos por no haber seguido las instrucciones.

Ayuda y asistencia técnica

Para obtener una amplia asistencia en línea, visite www.philips.com/support para:

- descargar el manual de usuario y la guía de inicio rápido
- ver tutoriales de video (solo disponible para modelos seleccionados)
- buscar respuestas a preguntas frecuentes (FAQ)
- enviarnos un correo electrónico con una pregunta
- chatear con nuestro representante de soporte.

Siga las instrucciones del sitio web para seleccionar su idioma e ingrese el número de modelo de su producto.

También puede ponerse en contacto con el servicio de atención al cliente de su país. Antes de ponerse en contacto, anote el modelo y número de serie del producto. Puede buscar esta información en la parte posterior o inferior del producto.

Instrucciones de seguridad importantes

- Lea estas instrucciones.
- Conservé estas instrucciones.
- Preste atención a todas las advertencias.
- Siga todas las instrucciones.
- No utilice este aparato cerca del agua.
- Utilice únicamente un paño seco para la limpieza.
- No bloquee las aperturas de ventilación. Realice la instalación de acuerdo con las indicaciones del fabricante.
- No realice la instalación cerca de fuentes de calor (como radiadores, rejillas de calefacción, estufas u otros equipos que produzcan calor (incluso amplificadores).
- Utilice el conector polarizado o con conexión a tierra de conformidad con las normas de seguridad. Un enchufe polarizado cuenta con dos alambres, uno más ancho que el otro. Los conectores a tierra tienen dos conductores y una tercera terminal de contacto para la conexión a tierra. El conductor ancho o la tercera terminal de contacto con conexión a tierra se proveen para mayor seguridad. Si el enchufe suministrado no encaja correctamente en el tomacorriente, consulte a un electricista para reemplazar la toma.
- Proteja el cable de alimentación. Evite pisar o doblar el cable, en particular a la altura del conector y las terminales de contacto del aparato.
- Utilice sólo los accesorios que especifica el fabricante.
- Utilice sólo el carrito, el soporte, el trípode y la mesa que indica el fabricante y los que incluye el equipo. Tenga cuidado cuando transporte el equipo en el carrito para evitar caídas y posibles lesiones.
- Desenchufe el equipo durante tormentas eléctricas o cuando no se utilice por un período prolongado.
- Todos los trabajos de servicio técnico deben ser realizados por personal de servicio calificado. Solicite el servicio de asistencia técnica cuando, por ejemplo, el cable de alimentación o el conector están dañados, si se derramó líquido o cayeron objetos dentro del aparato, si el equipo estuvo expuesto a la lluvia o humedad, si no funciona normalmente o si se cayó.
- **PRECAUCIÓN:** Para evitar que las baterías se sulfaten y puedan ocasionar lesiones, daños materiales o en la unidad:
 - Instale todas las baterías de forma correcta, de acuerdo con los signos + y - marcados en la unidad.
 - No utilice baterías de distintas clases (nuevas y usadas o de carbono y alcalinas, etc.).
 - Extraiga las pilas cuando no utilice la unidad durante un período prolongado.
 - No exponga las baterías a temperaturas altas como las que emiten la luz solar, el fuego u otros elementos similares.
 - Este producto contiene perclorato y puede requerir un método de manipulación especial. Visite www.dtsc.ca.gov/hazardouswaste/perchlorate.

- El producto/control remoto puede contener una batería tipo botón o moneda fácil de tragar. Siempre mantenga las baterías lejos del alcance de los niños. En caso de ingestión la batería podría causar lesiones graves o la muerte. Puede haber quemaduras internas graves en un plazo de dos horas tras la ingestión.
- Si sospecha que una batería se ha ingerido o introducido en cualquier parte del cuerpo, consulte inmediatamente a un médico.
- Al cambiar las baterías, mantenga siempre las baterías nuevas y usadas lejos del alcance de los niños. Verifique que el compartimiento de la batería esté bien cerrado luego de reemplazar la batería. Si el compartimiento de la batería no puede cerrarse, discontinue el uso del producto. Manténgalo lejos del alcance de los niños y comuníquese con el fabricante.
- No exponga el equipo a gotes ni salpicaduras.
- No coloque el aparato cerca de fuentes de peligro (por ejemplo, objetos que contengan líquidos o velas encendidas).
- Este aparato puede contener plomo y mercurio. Cumpla con la normativa local, estatal o nacional sobre eliminación de productos. Comuníquese con las autoridades locales para solicitar información sobre la eliminación o el reciclaje de productos. Para obtener más información sobre las opciones de reciclaje disponibles, ingrese en cualquiera de los siguientes sitios web: www.mygreenelectronics.com, www.eiae.org o www.recycle.philips.com.
- Si el conector de alimentación u otro conector se utilizan como dispositivos de desconexión, deben estar accesible y fáciles de operar.
- No coloque este aparato sobre muebles que adultos o niños puedan tirar; inclinar o utilizar para subirse sobre ellos. Si el aparato se cae, puede causar heridas graves o incluso la muerte.
- Este aparato no debe ubicarse en una instalación cerrada como una estantería o un rack a menos que esté adecuadamente ventilada. Verifique que haya un espacio mínimo de 20 cm (7,8 pulg) alrededor del aparato.

Símbolo de equipo de Clase II



Este símbolo indica que la unidad tiene un sistema de doble aislamiento.

Conozca estos símbolos de seguridad



El símbolo del rayo indica que los componentes sin aislamiento dentro de la unidad pueden generar descargas eléctricas. Para la seguridad de todas las personas de su hogar, no retire la cubierta del producto.



El signo de exclamación indica las características del producto que pueden provocar problemas de funcionamiento y mantenimiento. Por eso, se recomienda leer el manual de instrucciones.

ADVERTENCIA: Para reducir el riesgo de incendios o descargas eléctricas, no exponga el aparato a la lluvia ni a la humedad, ni coloque sobre él objetos que contengan líquidos (por ejemplo, jarrones). **PRECAUCIÓN:** Para evitar descargas eléctricas, el conductor ancho debe introducirse por completo en la ranura adecuada.

Protección del producto

Utilice únicamente un paño de microfibras para limpiar el producto.

Cuidado del medio ambiente

Desecho del producto y de las pilas usadas



El producto ha sido diseñado y fabricado con materiales y componentes de alta calidad que pueden reciclarse y reutilizarse.

Este producto puede contener plomo y mercurio. Es posible que la eliminación de estos materiales se encuentre bajo regulación debido a causas medioambientales. Para obtener información sobre la eliminación o el reciclaje, póngase en contacto con las autoridades locales.

Este producto contiene pilas:

- Deseche las pilas correctamente. No las arroje al fuego. Las pilas pueden explotar si se sobrecalientan.
- No las envuelva en papel de aluminio o metal. Evhuévalas en papel de periódico antes de deshacerse de ella.
- Le sugerimos que se informe acerca de los puntos de recogida de pilas de su ciudad.
- Visite www.call2recycle.org para obtener más información sobre centros de reciclaje para pilas recargables de su zona.

Aviso de cumplimiento

El dispositivo cumple con los requisitos de la FCC, apartado 15. El funcionamiento está sujeto a las siguientes condiciones:

- 1 El dispositivo no debe causar interferencias nocivas y
- 2 debe recibir todo tipo de interferencias, incluso las que originan un funcionamiento indeseado.

Normas de la Comisión Federal de Comunicaciones (FCC)

Este equipo se ha probado y se ha determinado que cumple con los límites para un dispositivo digital clase B, de acuerdo con el apartado 15 de las normativas de la FCC. Estos límites están destinados a ofrecer una protección razonable contra interferencias dañinas dentro de una instalación residencial. Este equipo genera, utiliza y puede emitir energía de radiofrecuencia. Si no se instala y utiliza de conformidad con el manual de instrucciones, puede ocasionar interferencias perjudiciales en las comunicaciones de radio.

Sin embargo, no existe garantía de que no se producirá interferencia en una instalación en particular. Si este equipo provoca interferencias perjudiciales en la recepción de radio o televisión, lo que puede determinarse al encender y apagar el equipo, se recomienda al usuario intentar corregir la interferencia mediante una o varias de las siguientes medidas:

- Cambie la posición de la antena receptora.
- Aumente la distancia entre el equipo y el receptor.
- Conecte el equipo a un tomacorriente de un circuito diferente al que está conectado el receptor.
- Para obtener ayuda, comuníquese con el distribuidor o con un técnico de radio o televisión calificado.

Normas sobre la exposición a campos de radiación de la FCC: este equipo cumple con la normativa que regula los límites de exposición a la radiación de FCC para ambientes no controlados. Este equipo debe instalarse y utilizarse con una distancia mínima de 20 cm entre el radiador y el cuerpo. No coloque este aparato cerca de otros transmisores o antenas, ni lo utilice con este tipo de dispositivos.

Advertencia: Cualquier alteración o modificación a este dispositivo, que no cuente con la autorización expresa de Gibson Innovations, puede anular el derecho del usuario para utilizar el equipo. Número de modelo: BS/37

Nombre comercial: Philips

Parte responsable: P&F USA, Inc. PO Box 2248 Alpharetta, GA 30023-2248; 1 (866) 226-6074

Canada:

CAN ICES-3(B)/NMB-3(B)

Este dispositivo cumple con los estándares RSS exentos de licencia de Industry Canada. El funcionamiento queda sujeto a las siguientes condiciones: (1) este dispositivo no debe producir interferencias dañinas, y (2) debe soportar cualquier interferencia, incluso aquellas que pueden causar un funcionamiento no deseado. Le dispositif rencontre l'exemption des limites courantes d'évaluation dans la section 2.5 de RSS 102 et la conforme à l'exposition de RSS-102F, utilisateurs peut obtenir l'information canadienne sur l'exposition la conforme de rf.

México:

La operación de este equipo está sujeta a las siguientes dos condiciones: (1) es posible que este equipo o dispositivo no cause interferencia perjudicial y (2) este equipo o dispositivo debe aceptar cualquier interferencia, incluyendo la que pueda causar su operación no deseada.

