

# Bluetooth Wireless Speaker Users Manual

## CONTENTS

1.	<a href="#">Product General Information</a> .....	2
1.1	<a href="#">Production Description</a> .....	2
2.	<a href="#">Product General Specifications</a> .....	2
2.1	<a href="#">General Specifications</a> .....	2
2.2	<a href="#">Function Indicators/Interface</a> .....	3
3.	<a href="#">Regulation Compliance</a> .....	5
4.	<a href="#">Environment Requirement</a> .....	5
4.1	<a href="#">Drop and Vibration</a> .....	5
4.1.1	<a href="#">Anti-Static Voltage</a> .....	5
4.1.2	<a href="#">Vibration Test</a> .....	5
4.1.3	<a href="#">Package Drop Test</a> .....	5
4.2	<a href="#">Usage Condition</a> .....	5
4.2.1	<a href="#">Temperature Range</a> .....	5
4.2.2	<a href="#">Temperature Shock</a> .....	5
4.2.3	<a href="#">Humidity</a> .....	5
5.	<a href="#">Instructions</a> .....	6
5.1	<a href="#">How to connect</a> .....	6

## 1. Product General Information

### 1.1 Product Description

GL2BSS75, the Stereo Receiver with Audio-out jack and GL2BSI75 the Stereo Sender with Audio-In jack for Multimedia Speaker in wireless (Bluetooth enabled) or rear speakers of 5.1 channel. The application scenario is shown the wireless audio streaming to be built as cable-free on supporting 3D quality level of MP3, AC3 and WMA. In terms of combination with multimedia or 5.1 channel speaker on Stereo sound in wireless, the technology of Bluetooth in frequency hopping is much more reliable on streaming and interference avoidance.

Plug n play mechanism is the key of accessing to media application. The stereo Audio receiver/sender enables Plug n Play mechanism on connecting to CD Player or PC BT stereo transmitter set automatically. The set configuration would help user on experiencing Stereo with Bluetooth (wireless) without setting trouble and. And good quality of 3D sound will initialize audio streaming into consumer electronics successfully.

## 2. Product General

### 2.1 General Specifications

Standards:	Bluetooth v1.1 Compliant
Chipset:	GCT GDM 1202 Bluetooth Digital Audio Streaming IC Integrated 128MHz embedded processor to support digital audio codec Integrated analog combo codec supporting dual mode operation of 16-bits 32/44.1/48KHz stereo audio DAC (for Audio-in/out set) GCT GDM 1002 Bluetooth Zero-IF Radio Transmitter IC
Module dimension :	30 x 24 x 2.0 mm
Emission Type	Frequency Hopping Spread Spectrum (FHSS)
RF Frequency	2400MHz – 2483.5 MHz – SA / Europe / Japan 2446.5MHz – 2483.5MHz – France
Transmission output power	Typically 1 dBm
Receiving Sensitivity :	Typically -82dBm
Antenna :	1 dBi external dipole antenna
Channel Numbers :	79 (f= 2402 + k MHz, k = 1, 2 ,...78) 33 (f= 2447 + k MHz, k = 1, 2...,32)
Operation Range :	Typically 10m, up to 30m
Power Consumption	Power Voltage - 5 Volt DC+ 10%

500 mA / 5V power adapter

Max. 120 mA @ TX

Max. 100 mA @ RX

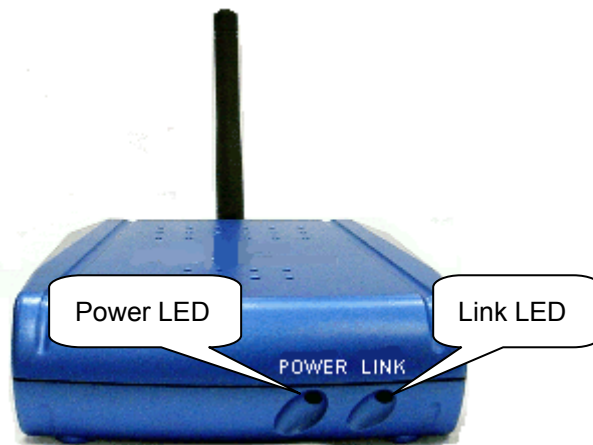
Reliability Requirement

MTBF est. 25000 hrs

## 2.2 Function Indicators/Interface

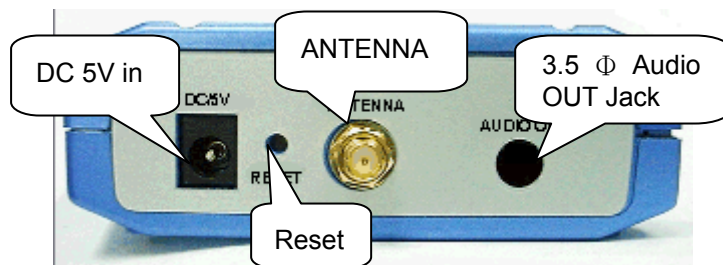
a. GL2BSS75:

- Indicators :



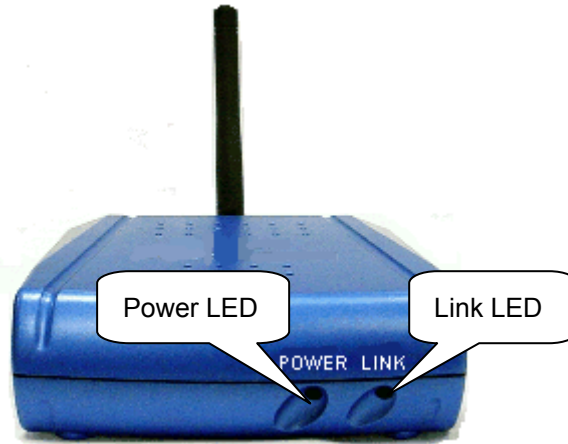
States \ LEDs	Power LED	LinkLED
Power off	Unlighted	X
Power on	Bright	X
Disconnect	X	Flash
Connect	X	Bright

- Interface :



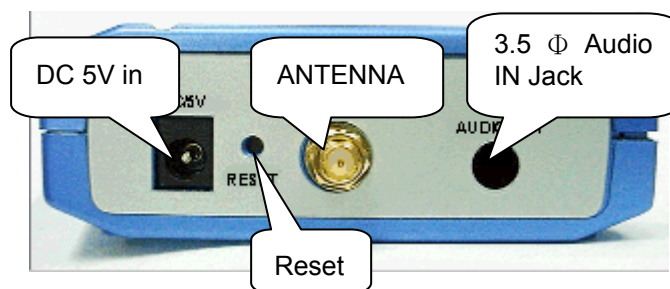
b. GL2BSI75

- Indicators :



States \ LEDs	Power LED	LinkLED
Power off	Unlighted	X
Power on	Bright	X
Disconnect	X	Flash
Connect	X	Bright

- Interface :



### **3. Regulation Compliance**

Compliant with

Bluetooth Test Specification v1.1 compliant. (To be confirmed)

### **4. Environment Requirement**

#### **4.1 Drop and Vibration**

##### **4.1.1 Anti-Static Voltage**

4KV air charge, 8KV conductive charge

##### **4.1.2 Vibration Test**

The vibration test is under the frequency and amplitude 10-25 Hz 1mm in vertical and horizontal direction by 30 minutes that should not cause any damage on product.

##### **4.1.3 Package Drop Test**

Dropping the package from the height of 50cm for each of the six(6) faces onto the hard-wood floor should not cause any damage on product.

#### **4.2 Usage Condition**

##### **4.2.1 Temperature Range**

Operating 0 °C to +55°C in ambient temperature

Storage -20 °C to +75 °C

##### **4.2.2 Temperature Shock**

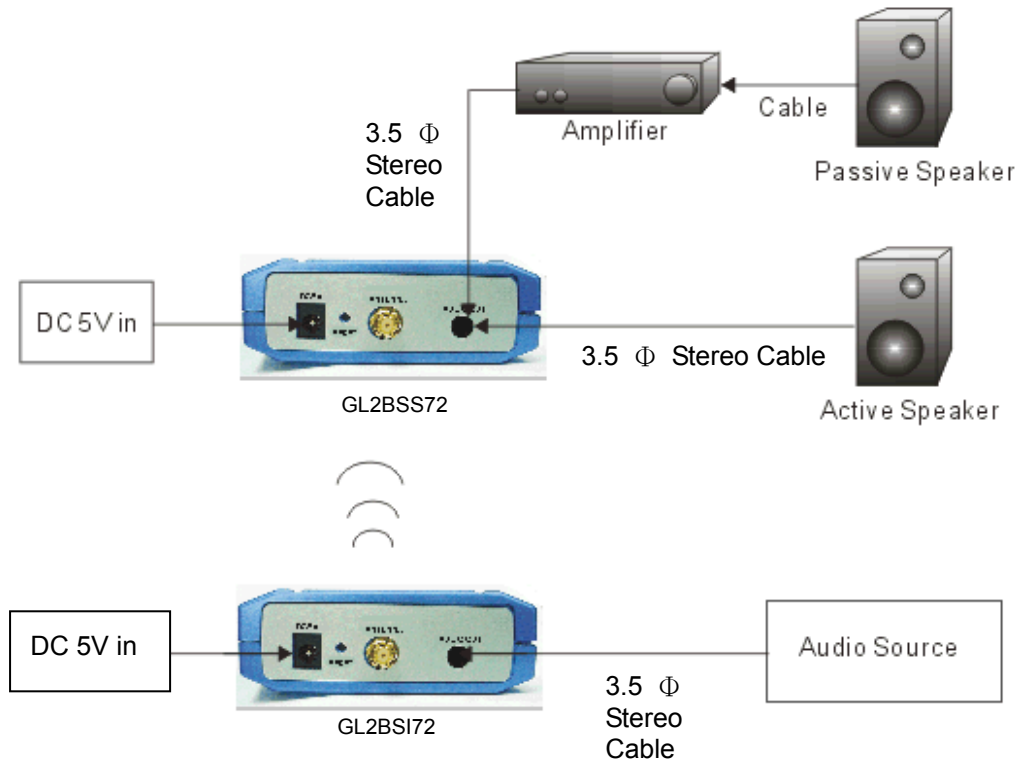
##### **4.2.3 Humidity**

Humidity 5 ~ 95%

## 5. Instructions

### 5.1 How to connect

Block diagram:



Steps:

- Power on GL2BSS72 and GL2BSI72
- Insert the audio source cable to GL2BSI72 Audio In jack
- Insert the speaker cable to GL2BSS72 Audio Out jack
- When GL2BSS72 and GL2BSI72 is connect the Link LED will Bright