

# BTH-808 USER'S MANUAL

ver 1.2

## 1 INTRODUCTION

The headset BTH-808 is the ultimate hands-free and wire-free solution that connects your mobile phones to your headset via Bluetooth radio technology instead of a wire. All calls and voices can be transmitted wirelessly to your earpiece by this small and cute dolphin. It gives you an easy access to volume controls and features LED indicators.

### 1.1 FEATURES

Operation range up to 10m

Talking time up to 4.5 hours

Stand-by time up to 200 hours

Mini weight about 11 grams

On/Off Switch, On/Off indicator

Rechargeable Li-ion, Low battery indicator

Complete accessories-for comfortable use

### 1.2 SPECIFICATIONS

Standard	Bluetooth V1.1
Operation Range	10 meters (33 feet)
Audio Codec	15 bits resolution, S/N > 60 dB
Frequency	2.4 GHZ-2.4835 GHZ ISM Band
Dimension:	(L) 75 mm*( W) 22.5 mm * (H) 9mm
Connection	Point-to-point
Weight	11g (including battery)
Talk time	4.5 hrs
Standby time	200 hrs
Output Power	0 dBm (class II)
Security	128 bits encryption
Power Consumption	17mA working, 500uA standby
Battery	Rechargeable Li-ion polymer 110mAh
Charging	5V DC, 100~240V AC adapter
Charging time	2~3 hrs
Operating Temperature	-10 ~ 55 C
Storage Temperature	-20 ~ 60 C
Certification	CE, FCC, BQB
Headset passkey	1234.

2. HEADSET FUNCTIONS  
2.1 HEADSET APPEARANCE

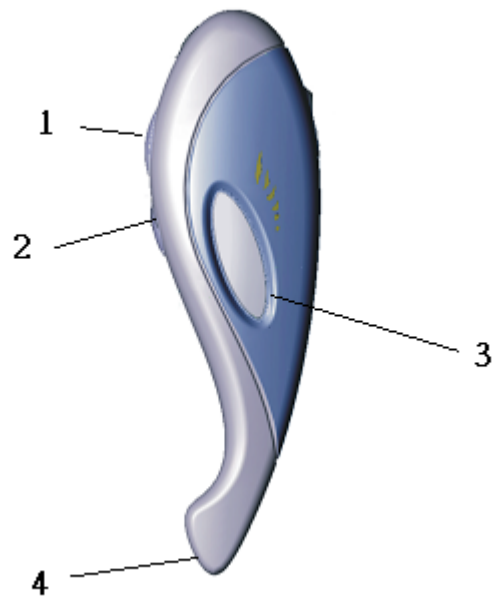


Figure 1

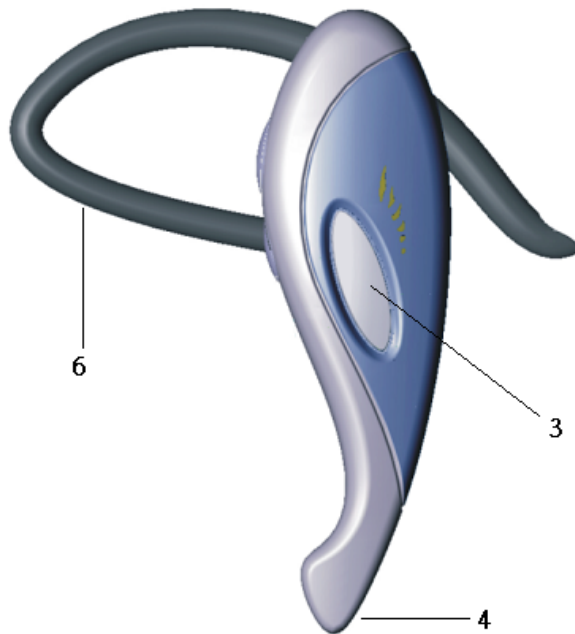


Figure 2

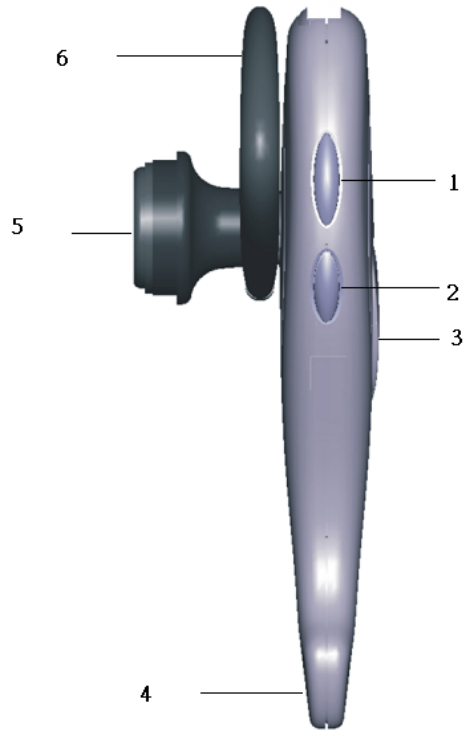


Figure 3

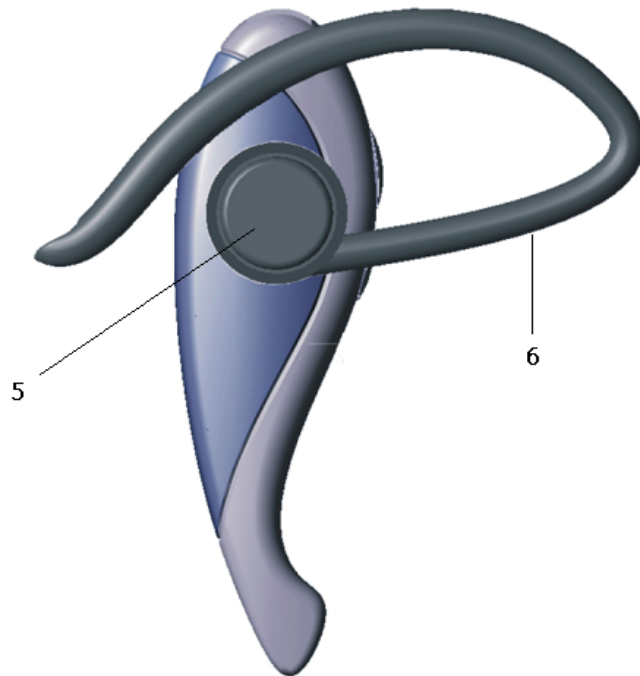


Figure 4

- 1 → **Volume Control (up)** -Adjusts speaker(receive) volume up
- 2 → **Volume Control (down)** -Adjusts speaker(receive) volume down
- 3 → **Multifunction button.**-Controls several headset functions.
- 4 → **Microphone** -Picks up your voice input.
- 5 → **Speaker** -Plays the sound you receive on the call.
- 6 → **Ear hook** -Attaches headset to ear

## 2.2 HOW TO USE BTH-808 WITHOUT EAR HOOK



Figure 5



Figure 6

### 2.3 HOW TO USE BTH-808 WITH EAR HOOK



Figure 7



Figure 8

You need to adjust the ear hook for left-ear or right-ear use. The figure 7 is for left-ear use and the figure 8 is for right-ear use.

## **2.4 WHEN TO CHARGE**

### **GETTING STARTED**

Before you can use your headset, you need to charge its self-contained battery for two hours.

### **RECHARGING**

When the red indicator light on the headset flashes and you hear high tones through the headset speaker, the headset battery needs to be recharged.

### **HOW TO CHARGE**

A fully charged headset battery provides approximately:

Talk time – 4.5 hours

Standby time – up to 200 hours

## **2.5 PAIRING THE HEADSET WITH A PHONE**

You pair the headset with the phone by adding it to a list of paired devices in the phone. The two devices then recognize each other when they connect. Once you have paired your headset with the phone. You do not need to pair it again until you want to use it with another device.

The BTH-808 can store pairing information for eight different Bluetooth devices.

### **TO PAIR THE HEADSET WITH PHONE (Bluetooth built in)**

1. Prepare your phone according to the phone's user documentation on pairing.
2. Press the multifunction button for up to 10 seconds until the blue and red indicator lights on the headset flash alternately. The headset is now ready for pairing.
3. Continue according to the instructions in the phone's user documentation. The headset passkey is **1234**.

Putting on the headset

1. Make sure the ear hook forms an angle of 90°.
2. Place the ear hook behind your ear.
3. Make sure the microphone is pointing towards your mouth.

## **2.6 HOW TO TURN ON/OFF HEADSET**

*To turn the headset on*

Press and hold the Multifunction button until the headset indicator light flashes blue four times.

*To turn the headset off*

Press and hold the Multifunction button until the headset indicator light flashes red four times .

## **2.6 MAKING AND ANSWERING CALLS**

Phone functionality is still available when the headset is connected. You can make and answer calls using the buttons on the headset. or the keys on the phone, as usual.

*To make a call using voice dialing*

1. Make sure the phone and the headset are on and within range of each other. Press the multifunction button.
2. It may take a while to set up the connection between the phone and the headset. During this time, you might hear a repeated tone in the headset. After the beep, voice dial as you normally would.
3. End the call by pressing the multifunction button.

*To answer a call using the multifunction button*

1. When the headset rings, press the multifunction button.
2. End the call by pressing the multifunction button.

*To reject a call*

When the headset rings, press and hold the multifunction button until you hear a long beep.

## **USING VOICE COMMANDS**

Voice commands are especially useful when you are using the headset. Examples of voice commands are dialing, re-dialing, answering and rejecting calls. For more information on voice commands, refer to the phone's user documentation.

## **ADJUSTING THE VOLUME**

You can adjust the headset speaker volume during a call, or the ring volume when you are not engaged in a call.



*To adjust the volume*

To increase the volume, press (+) .

To decrease the volume, press (-).

*To turn off the microphone*

During a call, press and release both (+) and (-) at the same time to turn off the microphone. A repeated beep is heard while the microphone is turn off.

Press and release both (+) and (-) again to resume the conversation.

**TRANSFERRING SOUND FROM PHONE TO HEADSET**

If you make a call with using your phone, you can transfer the sound to the headset if the headset is on, paired with the phone, and within range.

To transfer the sound to the headset

During a call, press the multifunction button to transfer the sound to the headset. The headset beeps until the sound has been transferred.

Note: To transfer the sound from the headset to the phone, refer to the phone's user documentation.

**LOST CONNECTION TO HEADSET**

If the connection to the headset is lost during an ongoing call, press the YES key on the phone to transfer the call to the phone, otherwise the call is disconnected after 30 seconds.

### **3. TROUBLESHOOTING**

#### **No sound contact between headset and phone**

The headset and the phone you are using with it have to be paired to recognize each other.

They also have to be within range of each other.

#### **The indicator light flashes red**

This indicates that the headset has only limited talk and standby time left. Charge the headset battery for approximately 1 to 1.5 hours.

#### **The headset is automatically switched off**

There are two reasons why the headset might be switched off automatically:

1. The battery is too low. The red indicator light on the headset flashes and you hear high tones through the headset speaker . Charge the headset battery for approximately 2 ~ 3 hours.
2. The headset has been in pairing mode for more than 1 minute.

## FCC Notices

This device complies with part 15 of the FCC rules. Operation is subject to the following two conditions:

- (1) This device may not cause harmful interference, and
- (2) This device must accept any interference received, including interference that may cause undesired operation .

## FCC RF Exposure requirements:

This device and its antenna(s) must not be co-located or operation in conjunction with any other antenna or transmitter.

**NOTE: THE MANUFACTURER IS NOT RESPONSIBLE FOR ANY RADIO OR TV INTERFERENCE CAUSED BY UNAUTHORIZED MODIFICATIONS TO THIS EQUIPMENT. SUCH MODIFICATIONS COULD VOID THE USER'S AUTHORITY TO OPERATE THE EQUIPMENT.**